



TECHNICAL GUIDE

AFFINITY™ SERIES 2-STAGE SPLIT SYSTEM HEAT Pumps

19 SEER – R-410A – 1 PHASE
2 THRU 5 NOMINAL TONS
MODELS: YZT24 THRU 60

FOR INSTALLATION IN ALL US REGIONS AND CANADA



■ Installation Allowed



**AMERICAN
QUALITY**
DESIGNED, ENGINEERED &
ASSEMBLED IN THE USA



Due to continuous product improvement, specifications are subject to change without notice.

Visit us on the web at

www.upgnet.com and www.york.com

Additional rating information can be found at

www.ahridirectory.org

WARRANTY SUMMARY*

Extended 10-Years limited parts warranty.

Extended Lifetime limited compressor warranty.

Extended parts and compressor warranties require online registration within 90 days of purchase for replacement or closing for new home construction.

*Does not apply to R-22 models, 3-Phase models, or Internet sales.

See Limited Warranty certificate in User's Information Manual for details.

DESCRIPTION

The Affinity™ Series YZT two-stage Heat Pumps are the outdoor section of a high efficiency comfort system. They are designed to be matched with a complete line of indoor sections. Matching air handlers are available for upflow, downflow and horizontal left or right applications to provide a complete system. Alternately, add-on coils are available for use with modular air handlers or four-way furnaces. Electric heaters and field installed accessories are also available as needed.

FEATURES

- **Superior Coil Protection** – An easily removable two-piece steel extruded louver coil guard protects the tube-in-fin coil from debris and physical damage while making access for coil cleaning quick and simple.
- **Environmentally Friendly Refrigerant** – The next generation refrigerant R-410A delivers environmentally friendly performance with zero ozone depletion.
- **Durable Finish** – A high quality powder paint finish rated at 1000 hrs. salt spray provides the ultimate protection from corrosion and harmful UV rays, ensuring a long-lasting, high quality appearance.
- **QuietDrive™ System** – Features a combination of engineered, sound-neutralizing attributes such as a swept-wing fan blade, composite base pan, multi-density compressor cloak and two-stage compressor operation to reduce sound levels to that of a mere conversation.
- **ECM Fan Motor** – Dynamically adjusts speed in sync with the compressor stage to keep heat exchange in balance while minimizing power consumption and sound.
- **Swept Wing Fan** – A design adapted from aerospace engineering provides whisper-quiet operation by allowing air to flow smoothly and efficiently across the fan surface and edges.
- **Composite Base Pan** – The strong and durable composite base pan is corrosion resistant while adding strength, absorbing sound, and reducing vibration.
- **High-Efficiency Outdoor Coil** – An aluminum fin and copper tube outdoor coil provide easy cleaning, low restriction to airflow and efficient heat exchange.
- **Factory Installed Filter-Drier** – A corrosion resistant stainless steel, solid core liquid line filter-drier removes debris and moisture which can be harmful to the system.
- **Climate Set™** – provides pre-configured operating profiles the installing contractor can select during set-up to fine tune the system's operation for either Humid, Dry, or Normal climates. Additional fine-tune adjustments are always available to provide a custom comfort solution. (Feature available when a variable speed indoor air mover is utilized.)
- **Easy Service Access** – A large electrical box cover and a swing open electrical box provide superior full corner access to the inside of the unit for maintenance or service.
- **TXV Controls** – All indoor coils, whether in the cased CF/CM coil or in air handlers, utilize TXVs (Thermostatic Expansion Valves).
- **Communications Capable** – Designed to operate as a conventionally wired system or as a communicating system requiring only 4 thermostat wires between the outdoor and indoor units, the communicating system provides self-commissioning on start-up as well as the ability to check system status at the outdoor unit, thermostat, or remotely using the designated App.

- **Advanced System Control** – The proprietary Wi-Fi Hx™ thermostat interface is an integral part of this innovative system design. Using the Consumer App, consumers can monitor and adjust their system from anywhere in the world using a smart device. Contractors can use the Service App (with homeowner permission), to monitor the system remotely and make adjustments as needed. The system can be configured to provide alerts for emerging issues as well as items that require immediate attention.
- **Suction Accumulator** – Protects the compressor from liquid flood back.
- **Two Stage, Protected Scroll Compressor** – The compressor is solenoid operated for 67% and 100% capacity. A suction accumulator tank protects the compressor from harm.
- **Compressor Crank Case Heater** – Factory installed compressor crank case heater that warms the compressor sump. Crank case heater is cycled on and off as necessary by the unit defrost control board.
- **Compressor Sound Blanket** – Factory installed compressor sound blanket.
- **Agency Listed** – Safety certified by CSA to UL 1995 / CSA 22.2. Performance certified to ANSI/AHRI Standard 210/240 in accordance with the Unitary Small Equipment certification program.

LIST OF SECTIONS

DESCRIPTION1
FEATURES1
LIST OF SECTIONS2
NOMENCLATURE2
PHYSICAL AND ELECTRICAL DATA3
DIMENSIONS3
SYSTEM CHARGE FOR VARIOUS MATCHED SYSTEMS4
SYSTEM CAPACITY - Single Piece and Modular Air Handlers ...5
SYSTEM CAPACITY - With High Efficiency Motor Furnaces ...9
APPLICATIONS AND ACCESSORIES41
SOUND POWER RATINGS - COOLING41
SOUND POWER RATINGS - HEATING41
MECHANICAL SPECIFICATIONS42
TYPICAL INSTALLATION43
TYPICAL FIELD WIRING44
ALTERNATIVE INSTALLATION CLEARANCES44
PERFORMANCE DATA - 2 TON45
PERFORMANCE DATA - 3 TON49
PERFORMANCE DATA - 4 TON59
PERFORMANCE DATA - 5 TON62

NOMENCLATURE

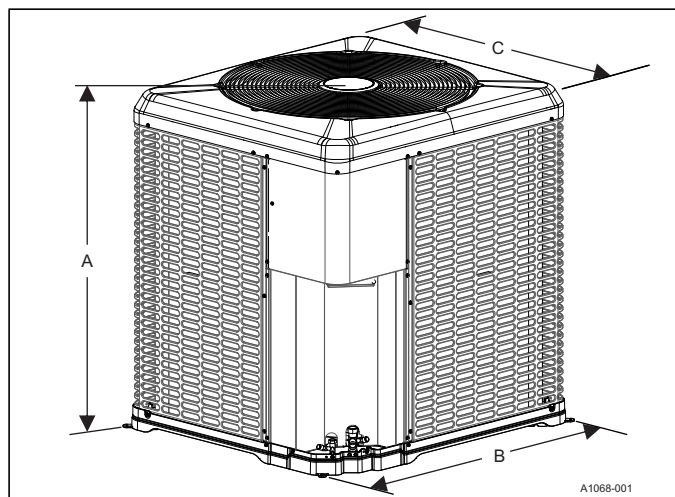
BRAND	Y	Y = York
PRODUCT TYPE	Z	X = Premium Heat Pump
NOMINAL SERIES EFFICIENCY AND STAGING	T	T = 19 SEER / 2-Stage
NOMINAL UNIT CAPACITY (MBH)	36	24 = 2 Ton 36 = 3 Ton 48 = 4 Ton 60 = 5 Ton
REFRIGERANT	B	B = R-410A
VOLTAGE (Voltage-Phase-Hertz)	2	2 = 208/230-1-60
GENERATION (MAJOR REVISION)	1	1 = 1st Gen 2 = 2nd Gen etc
FACTORY OPTION	S	S = Standard (No Options)
STYLE LETTER (MINOR REVISION) NOT USED FOR ORDERING	A	A = Style A B = Style B etc.

PHYSICAL AND ELECTRICAL DATA

MODEL		YZT24B21S	YZT36B21S	YZT48B21S	YZT60B21S
Unit Supply Voltage		208-230V, 1 ϕ , 60Hz			
Normal Voltage Range ¹		187 to 252			
Minimum Circuit Ampacity		15.30	21.4	28.2	31.4
Max. Overcurrent Device Amps ²		25	35	45	50
Min. Overcurrent Device Amps ³		20	25	30	35
Compressor	Type	2-Stage Scroll	2-Stage Scroll	2-Stage Scroll	2-Stage Scroll
	Rated Load	10.0	14.9	20.4	22.9
	Locked Rotor	62.9	84.2	122.1	147.2
Crankcase Heater		Yes	Yes	Yes	Yes
Factory External Discharge Muffler		Yes	Yes	Yes	Yes
HS Kit Required with TXV		No	No	No	No
Fan Diameter Inches		24	26	26	26
Fan Motor (ECM)	Rated HP	1/3	1/3	1/3	1/3
	Rated Load Amps	2.80	2.80	2.80	2.80
	Nominal RPM	640	830	830	830
	Nominal CFM	2500	4000	4100	4100
Coil	Face Area Sq. Ft.	23.05	26.4	31.2	31.2
	Rows Deep	1	2	2	2
	Fins / Inch	22	18	18	18
Liquid Line Set OD (Field Installed)		3/8	3/8	3/8	3/8
Vapor Line Set OD (Field Installed) ⁴		3/4	3/4	7/8	1-1/8 [‡]
Unit Charge (Lbs. - Oz.) ⁵		6 - 1	12 - 7	17 - 7	18 - 10
Charge Per Foot, Oz.		0.62	0.62	0.67	0.75
Operating Weight Lbs.		176	256	292	304

Note: These models are shipped with a Hard Start Kit installed at the factory.

1. Rated in accordance with AHRI Standard 110-2012, utilization range "A".
 2. Dual element fuses or HACR circuit breaker. Maximum allowable overcurrent protection.
 3. Dual element fuses or HACR circuit breaker. Minimum recommended overcurrent protection.
 4. For applications with non-standard vapor line sizes, see the "Applications & Accessories" section of this Technical Guide.
 5. The Unit Charge is correct for the outdoor unit, smallest matched indoor unit, and 15 feet of refrigerant tubing. For tubing lengths other than 15 feet, add or subtract the amount of refrigerant, using the difference in actual lineset length (not the equivalent length) multiplied by the per foot value.
- ‡ Adapter fitting must be field installed for the required 1-1/8" line set.



DIMENSIONS

Unit Model	Dimensions (Inches)			Refrigerant Connection Service Valve Size	
	A	B	C	Liquid	Vapor
YZT24B21S	39-1/2	35-1/4	31-3/4	3/8	3/4
YZT36B21S	39-1/2	38-1/4	34-1/2		7/8
YZT48B21S	46-1/2	38-1/4	34-1/2		7/8 [‡]
YZT60B21S	46-1/2	38-1/4	34-1/2		

‡ Adapter fitting must be field installed for the required 1-1/8" line set.
 All dimensions are in inches and are subject to change without notice.
 Overall height is from bottom of base pan to top of fan guard.
 Overall length and width include screw heads.

SYSTEM CHARGE FOR VARIOUS MATCHED SYSTEMS

Outdoor Unit	YZT24B21S	YZT36B21S	YZT48B21S	YZT60B21S
Required TXV ^{1,2}	BB1	BB1	BC1	BC1
Indoor Unit ^{3,4,5}	Additional Charge, oz			
AE24B	0	-	-	-
AE30B	28	-	-	-
AE36(B,C)	28	0	-	-
AE42C	-	26	-	-
AE48(C,D)	-	14	-	-
AE60D	-	-	0	0
AVC24B	0	-	-	-
AVC30B	28	-	-	-
AVC36(B,C)	28	0	-	-
AVC42C	-	14	-	-
AVC48(C,D)	-	14	-	-
AVC60C	-	22	-	-
AVC60D	-	-	0	0
CF/CM/CU24(A,B)	0	-	-	-
CF/CM/CU30(A,B,C)	28	-	-	-
CF/CM/CU36(A,B,C)	31	0	-	-
CF/CM/CU42(B,C,D)	-	26	-	-
CF/CM/CU48(C,D)	-	14	-	-
CF/CM/CU60(C,D)	-	22	-	-
CF/CM64D	-	-	0	0

All of the combinations shown in the above System Charge table require Advanced Main Air Circulating Fan indoor product. "Coil Only" matches are not available for these systems.

FOOTNOTES:

1. For applications requiring a TXV, use S1-1TVM*** series kit.
2. A TXV kit must be used with these indoor units to obtain system performance.
3. Systems matched with furnaces or air handlers not equipped with blower-off delays may require blower Time Delay Kit S1-2FD06700224.
4. CF coils cannot be used in horizontal applications.
5. Charge adders shown above do not indicate that coils are rated for every application. Refer to Performance Data Tables for actual performance for specified system matches. Obtain certified system ratings from www.ahridirectory.org.

CHARGING PROCEDURES (COOLING OR HEATING):

1. Check the Factory Unit Charge listed on the unit nameplate to verify the refrigerant charge for the outdoor unit, the smallest matched indoor unit, and the 15 feet of interconnecting lineset.
2. Verify the TXV and additional charge required for specific matched indoor unit in the system using the above table.
3. Add additional charge for the amount of interconnecting line tubing greater than 15 feet at the rate specified in Physical and Electrical Data Table.
4. For indoor matches requiring additional charge, the refrigerant needs to be weighed in for specific matched indoor unit and actual lineset length.
5. Once the charge adders for matched indoor unit and for lineset have been weighed in, verify the system operation against the temperatures and pressures in the Charging Chart for the outdoor unit. Locate Charging Charts on the outdoor unit, in the Installation Instructions, and also in the Service Data Application Guide on www.upgnet.com. Follow the Subcool charging procedure in the Installation Manual, and allow ten minutes after each charge adjustment for the system operation to stabilize. Record the charge adjustment made to match the Charging Chart.
6. Permanently mark the unit nameplate with the TOTAL SYSTEM CHARGE defined as follows: TOTAL SYSTEM CHARGE = Base Charge (as shipped) + charge adder for matched indoor unit + charge adder for actual lineset length +/- charge adjustments to match the Charging Chart.

SYSTEM CAPACITY - Single Piece and Modular Air Handlers

UNIT MODEL	AIR HANDLER		COIL MODEL ¹	Stage	RATED CFM	COOLING ²				HEATING ³					
	MODEL	WIDTH				NET MBH		SEER	EER	NET MBH		HSPF IV	HSPF V	COP	
						TOTAL	SENS.			47°F OD	17°F OD			47°F OD	17°F OD
YZT24B21S	AE24BX21	17.5	–	1	675	19.8	15.9	17.00	26.50	16.10	–	–	–	4.24	–
YZT24B21S	AE24BX21	17.5	–	2	850	22.4	19.0	–	13.50	23.20	14.40	9.00	7.90	3.96	2.58
YZT24B21S	AE30BX21	17.5	–	1	625	19.6	15.3	17.00	26.35	15.70	–	–	–	3.94	–
YZT24B21S	AE30BX21	17.5	–	2	750	22.6	17.8	–	14.00	23.20	14.30	9.00	7.75	3.88	2.54
YZT24B21S	AE36CX21	21.0	–	1	725	20.8	17.0	19.00	28.85	16.00	–	–	–	4.38	–
YZT24B21S	AE36CX21	21.0	–	2	875	24.0	20.2	–	15.00	22.60	14.10	10.00	8.25	4.16	2.76
YZT24B21S	AVC24BX21	17.5	–	1	550	19.1	14.1	17.00	26.55	16.10	–	–	–	4.06	–
YZT24B21S	AVC24BX21	17.5	–	2	850	22.2	18.8	–	13.50	23.20	14.40	9.00	7.85	3.94	2.58
YZT24B21S	AVC30BX21	17.5	–	1	625	19.6	15.3	17.00	26.40	15.70	–	–	–	3.94	–
YZT24B21S	AVC30BX21	17.5	–	2	850	22.8	19.2	–	14.00	23.20	14.40	9.00	7.75	3.94	2.54
YZT24B21S	AVC36BX21	17.5	–	1	650	20.4	15.9	18.00	30.30	16.00	–	–	–	4.26	–
YZT24B21S	AVC36BX21	17.5	–	2	925	23.8	20.6	–	14.00	22.80	14.30	9.50	8.10	4.08	2.68
YZT24B21S	AVC36CX21	21.0	–	1	625	21.2	17.6	19.00	29.15	15.60	–	–	–	4.24	–
YZT24B21S	AVC36CX21	21.0	–	2	900	24.0	19.9	–	15.00	22.20	13.70	10.00	8.35	4.02	2.68
YZT24B21S	ME08BN21	17.5	CF/CM24B	1	625	19.5	15.2	17.00	26.45	16.20	–	–	–	4.14	–
YZT24B21S	ME08BN21	17.5	CF/CM24B	2	800	22.0	18.2	–	13.50	23.20	14.50	9.00	7.80	3.88	2.52
YZT24B21S	ME08BN21	17.5	CF/CM30B	1	625	19.6	15.3	17.00	26.40	15.70	–	–	–	3.94	–
YZT24B21S	ME08BN21	17.5	CF/CM30B	2	800	22.8	18.6	–	14.00	23.20	14.40	9.00	7.75	3.90	2.54
YZT24B21S	ME08BN21	17.5	CF/CM36B	1	625	20.2	15.5	18.00	30.10	16.00	–	–	–	4.20	–
YZT24B21S	ME08BN21	17.5	CF/CM36B	2	800	23.6	18.9	–	14.00	22.80	14.30	9.60	8.10	4.02	2.66
YZT24B21S	ME12BN21	17.5	CF/CM24B	1	700	19.9	16.3	18.00	26.70	16.10	–	–	–	4.30	–
YZT24B21S	ME12BN21	17.5	CF/CM24B	2	875	22.4	19.3	–	14.00	23.20	14.40	9.50	7.95	3.98	2.60
YZT24B21S	ME12BN21	17.5	CF/CM30B	1	700	20.0	16.4	17.00	27.35	15.70	–	–	–	4.04	–
YZT24B21S	ME12BN21	17.5	CF/CM30B	2	875	23.0	19.6	–	14.00	23.20	14.30	9.00	7.85	3.98	2.58
YZT24B21S	ME12BN21	17.5	CF/CM36B	1	700	20.8	16.7	18.00	28.15	16.00	–	–	–	4.32	–
YZT24B21S	ME12BN21	17.5	CF/CM36B	2	875	23.8	19.9	–	14.00	22.80	14.20	9.60	8.15	4.10	2.70
YZT24B21S	ME12CN21	21.0	CF/CM24C	1	650	20.2	15.7	18.00	27.30	16.50	–	–	–	3.44	–
YZT24B21S	ME12CN21	21.0	CF/CM24C	2	850	22.4	19.0	–	14.00	24.00	13.80	8.50	7.50	3.44	2.64
YZT24B21S	ME12CN21	21.0	CF/CM30C	1	650	20.0	15.7	17.00	27.45	15.70	–	–	–	3.94	–
YZT24B21S	ME12CN21	21.0	CF/CM30C	2	850	23.0	19.4	–	14.00	23.40	14.40	9.00	7.75	3.92	2.52
YZT24B21S	ME12CN21	21.0	CF/CM36C	1	750	20.8	17.3	19.00	28.60	15.50	–	–	–	4.22	–
YZT24B21S	ME12CN21	21.0	CF/CM36C	2	850	23.8	19.7	–	15.00	22.20	13.70	10.00	8.30	4.00	2.66
YZT24B21S	MVC08BN21	17.5	CF/CM24B	1	525	19.0	13.7	17.00	26.40	16.10	–	–	–	3.96	–
YZT24B21S	MVC08BN21	17.5	CF/CM24B	2	800	22.0	18.2	–	13.50	23.20	14.40	9.00	7.80	3.88	2.54
YZT24B21S	MVC08BN21	17.5	CF/CM30B	1	525	19.2	13.8	17.00	26.55	15.70	–	–	–	3.76	–
YZT24B21S	MVC08BN21	17.5	CF/CM30B	2	800	22.8	18.6	–	14.00	23.20	14.40	9.00	7.70	3.90	2.54
YZT24B21S	MVC08BN21	17.5	CF/CM36B	1	525	19.9	14.1	18.00	27.95	15.90	–	–	–	4.04	–

SYSTEM CAPACITY - Single Piece and Modular Air Handlers (Continued)

UNIT MODEL	AIR HANDLER		COIL MODEL ¹	Stage	RATED CFM	COOLING ²				HEATING ³					
	MODEL	WIDTH				NET MBH		SEER	EER	NET MBH		HSPF IV	HSPF V	COP	
						TOTAL	SENS.			47°F OD	17°F OD			47°F OD	17°F OD
YZT24B21S	MVC08BN21	17.5	CF/CM36B	2	800	23.6	18.9	—	14.00	22.60	14.20	9.60	8.05	4.04	2.66
YZT24B21S	MVC12BN21	17.5	CF/CM24B	1	625	19.7	15.3	17.00	27.00	16.10	—	—	—	4.20	—
YZT24B21S	MVC12BN21	17.5	CF/CM24B	2	875	22.4	19.3	—	13.50	23.20	14.40	9.00	7.95	3.98	2.58
YZT24B21S	MVC12BN21	17.5	CF/CM30B	1	625	19.6	15.3	17.00	26.70	15.70	—	—	—	3.94	—
YZT24B21S	MVC12BN21	17.5	CF/CM30B	2	875	23.0	19.6	—	14.00	23.20	14.30	9.00	7.80	3.96	2.58
YZT24B21S	MVC12BN21	17.5	CF/CM36B	1	625	20.4	15.6	18.00	30.55	16.00	—	—	—	4.22	—
YZT24B21S	MVC12BN21	17.5	CF/CM36B	2	875	23.8	19.9	—	14.00	22.80	14.20	9.60	8.15	4.10	2.70
YZT24B21S	MVC12CN21	21.0	CF/CM24C	1	675	19.8	15.9	18.00	27.30	16.10	—	—	—	4.32	—
YZT24B21S	MVC12CN21	21.0	CF/CM24C	2	875	22.4	19.3	—	14.00	23.00	14.30	9.60	8.00	4.02	2.62
YZT24B21S	MVC12CN21	21.0	CF/CM30C	1	675	20.0	16.0	17.00	28.00	15.70	—	—	—	4.06	—
YZT24B21S	MVC12CN21	21.0	CF/CM30C	2	875	23.0	19.6	—	13.50	23.20	14.20	9.00	7.90	4.02	2.60
YZT36B21S	AE36BX21	17.5	—	1	1025	29.0	23.8	17.00	24.30	28.80	—	—	—	4.54	—
YZT36B21S	AE36BX21	17.5	—	2	1125	35.2	27.4	—	13.00	35.20	21.80	9.50	8.35	3.78	2.68
YZT36B21S	AE36CX21	21.0	—	1	1050	29.0	24.4	17.00	25.15	28.60	—	—	—	4.86	—
YZT36B21S	AE36CX21	21.0	—	2	1200	35.6	28.4	—	13.00	35.00	21.80	9.50	8.45	4.00	2.68
YZT36B21S	AE42CX21	21.0	—	1	1000	30.2	24.2	18.00	26.50	24.20	—	—	—	3.96	—
YZT36B21S	AE42CX21	21.0	—	2	1175	35.2	28.0	—	14.00	35.40	21.80	9.60	8.25	4.02	2.68
YZT36B21S	AE48CX21	21.0	—	1	1100	30.6	25.6	18.00	26.70	24.20	—	—	—	3.90	—
YZT36B21S	AE48CX21	21.0	—	2	1250	36.0	29.0	—	14.00	35.40	21.80	9.60	8.25	3.98	2.68
YZT36B21S	AE48DX21	24.5	—	1	1100	30.4	25.6	18.25	27.05	24.00	—	—	—	4.10	—
YZT36B21S	AE48DX21	24.5	—	2	1300	36.0	29.8	—	14.00	35.00	21.80	10.00	8.30	4.24	2.68
YZT36B21S	AVC36BX21	17.5	—	1	700	27.8	19.5	17.00	25.00	28.60	—	—	—	4.00	—
YZT36B21S	AVC36BX21	17.5	—	2	1025	33.8	25.6	—	13.00	35.20	21.80	9.50	8.25	3.70	2.68
YZT36B21S	AVC36CX21	21.0	—	1	825	28.6	21.4	17.00	25.85	28.80	—	—	—	4.40	—
YZT36B21S	AVC36CX21	21.0	—	2	1175	34.6	27.6	—	13.00	35.20	21.80	9.50	8.35	3.82	2.68
YZT36B21S	AVC42CX21	21.0	—	1	725	28.8	20.4	18.00	26.45	24.40	—	—	—	3.40	—
YZT36B21S	AVC42CX21	21.0	—	2	1100	34.8	27.0	—	14.00	35.60	21.80	9.50	8.10	3.90	2.68
YZT36B21S	AVC48CX21	21.0	—	1	725	28.8	20.2	18.00	26.55	24.40	—	—	—	3.40	—
YZT36B21S	AVC48CX21	21.0	—	2	1125	34.8	27.2	—	14.00	35.40	21.80	9.50	8.10	3.92	2.68
YZT36B21S	AVC48DX21	24.5	—	1	775	29.2	21.2	18.00	26.95	24.20	—	—	—	3.52	—
YZT36B21S	AVC48DX21	24.5	—	2	1150	36.0	28.0	—	14.00	35.40	21.80	9.60	8.15	3.98	2.68
YZT36B21S	AVC60CX21	21.0	—	1	800	30.0	21.6	19.00	26.90	24.40	—	—	—	3.46	—
YZT36B21S	AVC60CX21	21.0	—	2	1200	35.8	28.4	—	14.00	35.20	22.40	10.00	8.50	4.20	2.82
YZT36B21S	ME12BN21	17.5	CF42B	1	875	29.8	22.4	17.00	25.30	28.60	—	—	—	3.42	—
YZT36B21S	ME12BN21	17.5	CF42B	2	1050	34.0	26.0	—	13.00	35.60	21.80	9.00	8.10	3.54	2.68
YZT36B21S	ME12CN21	21.0	CF/CM36C	1	875	28.4	22.0	17.00	25.20	28.80	—	—	—	4.58	—
YZT36B21S	ME12CN21	21.0	CF/CM36C	2	1000	34.8	25.6	—	13.00	35.00	21.80	9.50	8.40	3.88	2.68

SYSTEM CAPACITY - Single Piece and Modular Air Handlers (Continued)

UNIT MODEL	AIR HANDLER		COIL MODEL ¹	Stage	RATED CFM	COOLING ²				HEATING ³					
	MODEL	WIDTH				NET MBH		SEER	EER	NET MBH		HSPF IV	HSPF V	COP	
						TOTAL	SENS.			47°F OD	17°F OD			47°F OD	17°F OD
YZT36B21S	ME14DN21	24.5	CF/CM42D	1	900	29.8	22.8	18.00	25.90	28.20	—	—	—	3.94	—
YZT36B21S	ME14DN21	24.5	CF/CM42D	2	1025	34.0	25.8	—	13.00	35.40	21.80	9.60	8.25	3.68	2.68
YZT36B21S	ME14DN21	24.5	CF/CM48D	1	900	31.0	23.4	18.00	28.15	22.40	—	—	—	4.66	—
YZT36B21S	ME14DN21	24.5	CF/CM48D	2	1025	35.4	26.4	—	14.00	31.80	18.90	10.00	9.35	4.84	3.18
YZT36B21S	ME14DN21	24.5	CF/CM60D	1	900	30.0	23.0	19.00	27.05	24.00	—	—	—	4.06	—
YZT36B21S	ME14DN21	24.5	CF/CM60D	2	1025	34.8	26.2	—	14.00	35.00	22.40	10.00	8.70	4.22	2.82
YZT36B21S	ME16CN21	21.0	CF/CM36C	1	950	29.0	23.0	17.00	25.20	28.80	—	—	—	4.44	—
YZT36B21S	ME16CN21	21.0	CF/CM36C	2	1100	34.4	26.8	—	13.00	35.20	21.80	9.60	8.35	3.80	2.68
YZT36B21S	ME16CN21	21.0	CF/CM42C	1	950	30.0	23.4	18.00	25.55	28.60	—	—	—	3.62	—
YZT36B21S	ME16CN21	21.0	CF/CM42C	2	1100	34.4	26.8	—	13.00	35.80	21.80	9.00	8.15	3.46	2.68
YZT36B21S	ME16CN21	21.0	CF/CM48C	1	950	30.0	23.6	18.00	26.35	24.20	—	—	—	3.82	—
YZT36B21S	ME16CN21	21.0	CF/CM48C	2	1100	34.8	27.0	—	14.00	35.60	21.80	9.60	8.20	3.92	2.68
YZT36B21S	ME16CN21	21.0	CF/CM60C	1	950	30.0	23.6	18.00	26.45	23.80	—	—	—	4.10	—
YZT36B21S	ME16CN21	21.0	CF/CM60C	2	1100	35.8	27.4	—	14.00	34.80	22.40	10.00	8.75	4.26	2.82
YZT36B21S	MVC12BN21	17.5	CF/CM36B	1	700	27.8	19.5	17.00	25.20	28.60	—	—	—	4.02	—
YZT36B21S	MVC12BN21	17.5	CF/CM36B	2	1025	33.8	25.6	—	13.00	35.20	21.80	9.50	8.25	3.72	2.68
YZT36B21S	MVC12BN21	17.5	CF42B	1	675	27.6	19.1	18.00	25.15	28.40	—	—	—	3.54	—
YZT36B21S	MVC12BN21	17.5	CF42B	2	975	33.6	25.0	—	13.00	35.00	21.80	9.50	8.15	3.74	2.68
YZT36B21S	MVC12CN21	21.0	CF/CM36C	1	850	28.4	21.6	18.00	25.50	28.60	—	—	—	4.58	—
YZT36B21S	MVC12CN21	21.0	CF/CM36C	2	1000	34.8	25.8	—	14.00	35.00	21.80	9.60	8.40	3.90	2.68
YZT36B21S	MVC12CN21	21.0	CF/CM42C	1	850	28.4	21.6	18.00	24.90	28.00	—	—	—	4.00	—
YZT36B21S	MVC12CN21	21.0	CF/CM42C	2	1000	34.0	25.4	—	13.00	35.00	21.80	9.50	8.30	3.76	2.68
YZT36B21S	MVC12CN21	21.0	CF/CM48C	1	775	29.2	21.0	18.00	27.65	24.20	—	—	—	3.58	—
YZT36B21S	MVC12CN21	21.0	CF/CM48C	2	1175	35.2	28.0	—	14.00	35.40	21.80	9.60	8.15	4.08	2.66
YZT36B21S	MVC12CN21	21.0	CF/CM60C	1	775	30.0	21.4	19.00	27.75	24.60	—	—	—	3.16	—
YZT36B21S	MVC12CN21	21.0	CF/CM60C	2	1175	36.0	28.4	—	14.00	36.00	22.40	9.50	8.35	3.68	2.82
YZT36B21S	MVC14DN21	24.5	CF/CM42D	1	700	28.8	20.0	18.00	26.45	28.60	—	—	—	3.26	—
YZT36B21S	MVC14DN21	24.5	CF/CM42D	2	1050	34.2	26.2	—	13.00	35.40	21.80	9.00	8.05	3.60	2.68
YZT36B21S	MVC14DN21	24.5	CF/CM48D	1	650	28.2	19.1	18.00	26.50	24.40	—	—	—	3.26	—
YZT36B21S	MVC14DN21	24.5	CF/CM48D	2	1000	35.6	26.2	—	14.00	35.20	21.80	9.50	8.10	3.96	2.68
YZT36B21S	MVC14DN21	24.5	CF/CM60D	1	800	29.6	21.6	19.00	27.85	23.80	—	—	—	3.98	—
YZT36B21S	MVC14DN21	24.5	CF/CM60D	2	1250	36.0	29.4	—	14.00	34.60	22.40	10.00	8.70	4.44	2.82
YZT36B21S	MVC16CN21	21.0	CF/CM36C	1	800	28.6	21.2	18.00	25.50	24.40	—	—	—	3.62	—
YZT36B21S	MVC16CN21	21.0	CF/CM36C	2	1200	34.6	28.0	—	14.00	35.20	21.80	9.60	8.20	3.78	2.68
YZT36B21S	MVC16CN21	21.0	CF/CM42C	1	800	28.8	21.0	18.00	25.95	28.80	—	—	—	3.24	—
YZT36B21S	MVC16CN21	21.0	CF/CM42C	2	1200	34.8	28.2	—	13.00	35.20	21.80	9.00	8.05	3.90	2.68
YZT36B21S	MVC16CN21	21.0	CF/CM60C	1	825	30.0	22.0	19.00	27.45	24.00	—	—	—	3.80	—
YZT36B21S	MVC16CN21	21.0	CF/CM60C	2	1275	36.0	29.4	—	14.00	35.20	22.40	10.00	8.65	4.20	2.82

SYSTEM CAPACITY - Single Piece and Modular Air Handlers (Continued)

UNIT MODEL	AIR HANDLER		COIL MODEL ¹	Stage	RATED CFM	COOLING ²				HEATING ³					
	MODEL	WIDTH				NET MBH		SEER	EER	NET MBH		HSPF IV	HSPF V	COP	
						TOTAL	SENS.			47°F OD	17°F OD			47°F OD	17°F OD
YZT36B21S	MVC20DN21	24.5	CF/CM42D	1	825	29.6	21.8	18.00	27.00	28.80	—	—	—	3.30	—
YZT36B21S	MVC20DN21	24.5	CF/CM42D	2	1175	35.4	28.2	—	13.00	35.60	21.80	9.00	8.05	3.44	2.68
YZT36B21S	MVC20DN21	24.5	CF/CM48D	1	825	29.6	21.8	18.00	27.40	24.20	—	—	—	3.80	—
YZT36B21S	MVC20DN21	24.5	CF/CM48D	2	1175	35.4	28.2	—	14.00	35.20	21.80	9.60	8.25	4.10	2.68
YZT36B21S	MVC20DN21	24.5	CF/CM60D	1	825	30.0	22.0	19.00	27.80	24.40	—	—	—	3.24	—
YZT36B21S	MVC20DN21	24.5	CF/CM60D	2	1175	36.0	28.4	—	14.00	36.00	22.40	9.60	8.35	3.72	2.82
YZT48B21S	AE60DX21	24.5	—	1	1200	38.0	29.4	17.00	24.15	30.60	—	—	—	3.72	—
YZT48B21S	AE60DX21	24.5	—	2	1375	46.5	34.8	—	13.00	46.50	30.40	9.60	8.65	4.06	2.98
YZT48B21S	AVC60DX21	24.5	—	1	1075	37.6	28.0	17.00	24.55	30.40	—	—	—	3.66	—
YZT48B21S	AVC60DX21	24.5	—	2	1400	46.5	35.2	—	13.00	46.50	30.60	9.60	8.55	4.02	2.94
YZT48B21S	ME20DN21	24.5	CF/CM64D	1	1300	38.5	30.8	17.00	24.10	30.60	—	—	—	3.78	—
YZT48B21S	ME20DN21	24.5	CF/CM64D	2	1475	47.0	36.2	—	13.00	46.50	30.40	9.60	8.70	4.10	3.00
YZT60B21S	AE60DX21	24.5	—	1	1375	42.5	31.8	16.50	20.70	37.40	—	—	—	3.68	—
YZT60B21S	AE60DX21	24.5	—	2	1550	56.5	41.0	—	13.00	57.50	36.40	9.60	8.15	3.86	2.62
YZT60B21S	AVC60DX21	24.5	—	1	1050	41.0	27.8	16.50	21.00	37.00	—	—	—	3.50	—
YZT60B21S	AVC60DX21	24.5	—	2	1600	56.5	41.0	—	12.50	57.50	37.00	9.60	8.35	3.82	2.72
YZT60B21S	ME20DN21	24.5	CF/CM64D	1	1325	42.5	31.2	16.50	21.30	37.20	—	—	—	3.70	—
YZT60B21S	ME20DN21	24.5	CF/CM64D	2	1675	57.0	42.5	—	13.00	57.50	36.60	9.60	8.50	3.92	2.76

Rated in accordance with DOE test procedures (Federal Register 12-27-79 and 3-18-88) and ANSI/AHRI Standard 210/240.

1. CM coils available with a factory installed horizontal drain pan. See price pages for specific model number.
2. Cooling MBH based on 80°F entering air temperature, 50% RH (Relative Humidity), and rated air flow.
EER (Energy Efficiency Ratio) is the total cooling output in BTUs at 95°F outdoor ambient divided by the total electric power in watt-hours at those conditions.
SEER (Seasonal Energy Efficiency Ratio) is the total cooling output in BTUs during a normal annual usage period for cooling divided by the total electric power input in watt-hours during the same period.
3. Heating MBH based on AHRI standards of 70°F DB (Dry Bulb) entering indoor air, 72% RH (Relative Humidity) outdoor air with 25 feet of interconnecting piping and no supplemental electric heat operation.
HSPF (Heating Seasonal Performance Factor) is the total heating output during a normal annual usage period for heating divided by the total electric power input during the same period.
COP (Coefficient of Performance) equals Heating MBH output divided by (total KW input x 3.412).
 — = Not applicable.

SYSTEM CAPACITY - With High Efficiency Motor Furnaces¹

UNIT MODEL	FURNACE		COIL MODEL ²	Stage	COOLING					HEATING					
	MODEL	WIDTH			RATED CFM	NET MBH		SEER	EER	NET MBH		HSPF IV	HSPF V	COP	
						TOTAL	SENS.			47°F OD	17°F OD			47°F OD	17°F OD
YZT24B21S	TM8V060A12MP12C	14.5	CF/CM/CU24A	1	575	19.4	14.5	17.00	25.90	16.2	–	–	–	4.02	–
		14.5		2	800	21.8	18.0	–	13.00	23.4	14.6	9.00	7.70	3.80	2.48
YZT24B21S	TM8V060A12MP12C	14.5	CF/CM/CU24B	1	625	19.6	15.2	17.00	26.20	16.1	–	–	–	4.16	–
		14.5		2	875	22.2	19.1	–	13.50	23.2	14.5	9.00	7.85	3.90	2.54
YZT24B21S	TM8V060A12MP12C	14.5	CF/CM/CU30A	1	625	19.5	15.2	16.00	25.55	15.8	–	–	–	3.88	–
		14.5		2	875	22.6	19.3	–	13.00	23.6	14.6	9.00	7.70	3.84	2.50
YZT24B21S	TM8V060A12MP12C	14.5	CF/CM/CU30B	1	625	19.5	15.2	17.00	26.00	15.8	–	–	–	3.90	–
		14.5		2	875	22.8	19.5	–	13.50	23.4	14.5	9.00	7.75	3.90	2.54
YZT24B21S	TM8V060A12MP12C	14.5	CF/CM/CU36B	1	625	20.2	15.5	18.00	29.65	16.0	–	–	–	4.18	–
		14.5		2	875	23.6	19.7	–	14.00	23.0	14.4	9.60	8.05	4.02	2.66
YZT24B21S	TM8V060A12MP12C	14.5	CF/CM36A	1	625	20.2	15.5	18.00	29.30	16.1	–	–	–	4.16	–
		14.5		2	875	23.6	19.7	–	14.00	23.0	14.5	9.50	8.00	3.96	2.62
YZT24B21S	TM8V080B12MP12C	17.5	CF/CM/CU24C	1	600	19.3	14.8	17.00	25.70	16.1	–	–	–	4.10	–
		17.5		2	875	22.2	19.1	–	13.00	23.4	14.6	9.00	7.80	3.86	2.52
YZT24B21S	TM8V080B12MP12C	17.5	CF/CM/CU30B	1	550	19.2	14.1	16.00	25.30	15.8	–	–	–	3.76	–
		17.5		2	825	22.6	18.7	–	13.00	23.2	14.5	9.00	7.70	3.82	2.52
YZT24B21S	TM8V080B12MP12C	17.5	CF/CM/CU30C	1	550	19.2	14.1	17.00	25.45	15.8	–	–	–	3.76	–
		17.5		2	825	22.6	18.7	–	13.50	23.2	14.5	9.00	7.75	3.82	2.54
YZT24B21S	TM8V080B12MP12C	17.5	CF/CM/CU36B	1	550	20.0	14.4	18.00	27.10	16.0	–	–	–	4.02	–
		17.5		2	825	23.4	19.0	–	14.00	23.0	14.4	9.50	7.95	3.96	2.62
YZT24B21S	TM8V080B12MP12C	17.5	CF/CM/CU36C	1	550	20.0	14.5	18.00	27.30	16.0	–	–	–	4.04	–
		17.5		2	825	23.6	19.2	–	14.00	22.8	14.4	9.50	8.00	3.98	2.62
YZT24B21S	TM8V080C16MP12C	21.0	CF/CM/CU24C	1	625	19.6	15.2	17.00	26.60	16.1	–	–	–	4.18	–
		21.0		2	875	22.4	19.3	–	13.50	23.2	14.4	9.00	7.90	3.96	2.58
YZT24B21S	TM8V080C16MP12C	21.0	CF/CM/CU30C	1	625	19.6	15.3	17.00	26.35	15.7	–	–	–	3.92	–
		21.0		2	875	22.8	19.4	–	14.00	23.4	14.4	9.00	7.80	3.94	2.56
YZT24B21S	TM8V080C16MP12C	21.0	CF/CM/CU36C	1	625	20.4	15.6	18.00	30.20	16.0	–	–	–	4.20	–
		21.0		2	875	23.8	19.9	–	14.00	22.8	14.3	9.60	8.10	4.08	2.68
YZT24B21S	TM8V100C16MP12C	21.0	CF/CM/CU24C	1	625	19.6	15.2	17.00	26.60	16.1	–	–	–	4.18	–
		21.0		2	875	22.4	19.3	–	13.50	23.2	14.4	9.00	7.90	3.96	2.58
YZT24B21S	TM8V100C16MP12C	21.0	CF/CM/CU30C	1	625	19.6	15.3	17.00	26.35	15.7	–	–	–	3.92	–
		21.0		2	875	22.8	19.4	–	14.00	23.4	14.4	9.00	7.80	3.94	2.56
YZT24B21S	TM8V100C16MP12C	21.0	CF/CM/CU36C	1	625	20.4	15.6	18.00	30.20	16.0	–	–	–	4.20	–
		21.0		2	875	23.8	19.9	–	14.00	22.8	14.3	9.60	8.10	4.08	2.68
YZT24B21S	TM9E040A10MP11	14.5	CF/CM/CU24A	1	675	19.3	15.6	15.00	22.60	16.6	–	–	–	3.90	–
		14.5		2	775	21.4	17.5	–	12.00	23.8	15.0	8.50	7.55	3.64	2.40

SYSTEM CAPACITY - With High Efficiency Motor Furnaces¹ (Continued)

UNIT MODEL	FURNACE		COIL MODEL ²	Stage	COOLING					HEATING					
	MODEL	WIDTH			RATED CFM	NET MBH		SEER	EER	NET MBH		HSPF IV	HSPF V	COP	
						TOTAL	SENS.			47°F OD	17°F OD			47°F OD	17°F OD
YZT24B21S	TM9E040A10MP11	14.5	CF/CM/CU24B	1	700	19.5	15.9	15.00	23.10	16.5	–	–	–	4.00	–
		14.5		2	825	21.8	18.2	–	12.00	23.6	14.8	8.50	7.70	3.70	2.46
YZT24B21S	TM9E040A10MP11	14.5	CF/CM/CU30A	1	675	19.7	15.7	15.00	23.25	16.1	–	–	–	3.72	–
		14.5		2	775	22.0	17.7	–	12.00	23.8	14.9	8.50	7.50	3.62	2.40
YZT24B21S	TM9E040A10MP11	14.5	CF/CM/CU30B	1	700	19.7	16.1	15.00	23.65	16.1	–	–	–	3.78	–
		14.5		2	825	22.4	18.6	–	12.50	23.6	14.8	9.00	7.65	3.70	2.46
YZT24B21S	TM9E040A10MP11	14.5	CF/CM/CU36B	1	700	20.4	16.4	16.00	24.30	16.4	–	–	–	4.02	–
		14.5		2	825	23.2	18.8	–	13.00	23.2	14.7	9.00	7.85	3.82	2.54
YZT24B21S	TM9E040A10MP11	14.5	CF/CM36A	1	700	20.4	16.4	16.00	24.10	16.4	–	–	–	4.02	–
		14.5		2	775	23.0	18.1	–	13.00	23.2	14.8	9.00	7.85	3.78	2.52
YZT24B21S	TM9E080B12MP11	17.5	CF/CM/CU30B	1	725	20.0	16.6	16.00	26.30	15.9	–	–	–	3.96	–
		17.5		2	900	22.8	19.7	–	13.00	23.4	14.5	9.00	7.75	3.88	2.52
YZT24B21S	TM9E080B12MP11	17.5	CF/CM/CU36B	1	725	20.6	16.8	18.00	27.00	16.1	–	–	–	4.24	–
		17.5		2	900	23.8	20.2	–	14.00	23.0	14.4	9.60	8.05	4.00	2.64
YZT24B21S	TM9V060B12MP12C	17.5	CF/CM/CU24B	1	525	19.1	13.8	17.00	25.90	16.2	–	–	–	3.92	–
		17.5		2	775	21.8	17.8	–	13.00	23.4	14.6	9.00	7.65	3.80	2.48
YZT24B21S	TM9V060B12MP12C	17.5	CF/CM/CU24C	1	525	19.1	13.7	17.00	26.00	16.2	–	–	–	3.92	–
		17.5		2	775	21.8	17.8	–	13.00	23.4	14.6	9.00	7.70	3.80	2.48
YZT24B21S	TM9V060B12MP12C	17.5	CF/CM/CU30B	1	575	19.6	14.6	16.00	25.05	15.7	–	–	–	3.84	–
		17.5		2	875	22.6	19.3	–	13.00	23.6	14.6	9.00	7.70	3.86	2.52
YZT24B21S	TM9V060B12MP12C	17.5	CF/CM/CU30C	1	575	19.6	14.6	17.00	25.25	15.7	–	–	–	3.86	–
		17.5		2	875	22.8	19.5	–	13.50	23.4	14.5	9.00	7.70	3.88	2.52
YZT24B21S	TM9V060B12MP12C	17.5	CF/CM/CU36B	1	575	20.2	14.8	18.00	27.30	16.0	–	–	–	4.08	–
		17.5		2	875	23.6	19.7	–	14.00	23.0	14.5	9.50	8.00	3.96	2.62
YZT24B21S	TM9V060B12MP12C	17.5	CF/CM/CU36C	1	575	20.2	14.8	18.00	27.55	16.0	–	–	–	4.08	–
		17.5		2	875	23.6	19.7	–	14.00	23.0	14.4	9.60	8.00	4.00	2.64
YZT24B21S	TM9V080B12MP12C	17.5	CF/CM/CU24B	1	600	19.3	14.8	17.00	25.90	16.1	–	–	–	4.12	–
		17.5		2	875	22.2	19.1	–	13.50	23.2	14.5	9.00	7.85	3.90	2.54
YZT24B21S	TM9V080B12MP12C	17.5	CF/CM/CU24C	1	600	19.3	14.8	17.00	26.05	16.1	–	–	–	4.14	–
		17.5		2	850	22.2	18.8	–	13.50	23.2	14.5	9.00	7.85	3.92	2.56
YZT24B21S	TM9V080B12MP12C	17.5	CF/CM/CU30B	1	550	19.3	14.2	17.00	25.55	15.8	–	–	–	3.78	–
		17.5		2	800	22.6	18.4	–	13.50	23.4	14.5	9.00	7.70	3.86	2.52
YZT24B21S	TM9V080B12MP12C	17.5	CF/CM/CU30C	1	600	19.6	15.0	17.00	25.80	15.7	–	–	–	3.88	–
		17.5		2	850	22.8	19.2	–	13.50	23.4	14.5	9.00	7.75	3.92	2.52
YZT24B21S	TM9V080B12MP12C	17.5	CF/CM/CU36B	1	600	20.2	15.2	18.00	27.50	16.0	–	–	–	4.14	–
		17.5		2	850	23.6	19.5	–	14.00	23.0	14.4	9.60	8.05	4.00	2.64

SYSTEM CAPACITY - With High Efficiency Motor Furnaces¹ (Continued)

UNIT MODEL	FURNACE		COIL MODEL ²	Stage	COOLING					HEATING					
	MODEL	WIDTH			RATED CFM	NET MBH		SEER	EER	NET MBH		HSPF IV	HSPF V	COP	
						TOTAL	SENS.			47°F OD	17°F OD			47°F OD	17°F OD
YZT24B21S	TM9V080B12MP12C	17.5	CF/CM/CU36C	1	600	20.4	15.3	18.00	27.75	16.0	–	–	–	4.16	–
		17.5		2	850	23.6	19.4	–	14.00	22.8	14.3	9.60	8.05	4.04	2.66
YZT24B21S	TM9V100C16MP12C	21.0	CF/CM/CU30C	1	675	20.0	16.0	17.00	27.00	15.8	–	–	–	3.98	–
		21.0		2	900	23.0	19.9	–	14.00	23.2	14.4	9.00	7.80	3.94	2.56
YZT24B21S	TM9V100C16MP12C	21.0	CF/CM/CU36C	1	675	20.6	16.3	18.00	27.85	16.0	–	–	–	4.28	–
		21.0		2	900	23.8	20.2	–	14.00	22.8	14.3	9.60	8.15	4.10	2.68
YZT24B21S	TM9Y040A10MP11	14.5	CF/CM/CU24A	1	675	19.3	15.6	15.00	22.60	16.6	–	–	–	3.90	–
		14.5		2	775	21.4	17.5	–	12.00	23.8	15.0	8.50	7.55	3.64	2.40
YZT24B21S	TM9Y040A10MP11	14.5	CF/CM/CU24B	1	700	19.5	15.9	15.00	23.10	16.5	–	–	–	4.00	–
		14.5		2	825	21.8	18.2	–	12.00	23.6	14.8	8.50	7.70	3.70	2.46
YZT24B21S	TM9Y040A10MP11	14.5	CF/CM/CU30A	1	675	19.7	15.7	15.00	23.25	16.1	–	–	–	3.72	–
		14.5		2	775	22.0	17.7	–	12.00	23.8	14.9	8.50	7.50	3.62	2.40
YZT24B21S	TM9Y040A10MP11	14.5	CF/CM/CU30B	1	700	19.7	16.1	15.00	23.65	16.1	–	–	–	3.78	–
		14.5		2	825	22.4	18.6	–	12.50	23.6	14.8	9.00	7.65	3.70	2.46
YZT24B21S	TM9Y040A10MP11	14.5	CF/CM/CU36B	1	700	20.4	16.4	16.00	24.30	16.4	–	–	–	4.02	–
		14.5		2	825	23.2	18.8	–	13.00	23.2	14.7	9.00	7.85	3.82	2.54
YZT24B21S	TM9Y040A10MP11	14.5	CF/CM36A	1	700	20.4	16.4	16.00	24.10	16.4	–	–	–	4.02	–
		14.5		2	775	23.0	18.1	–	13.00	23.2	14.8	9.00	7.85	3.78	2.52
YZT24B21S	TM9Y080B12MP11	17.5	CF/CM/CU30B	1	725	20.0	16.6	16.00	26.30	15.9	–	–	–	3.96	–
		17.5		2	900	22.8	19.7	–	13.00	23.4	14.5	9.00	7.75	3.88	2.52
YZT24B21S	TM9Y080B12MP11	17.5	CF/CM/CU36B	1	725	20.6	16.8	18.00	27.00	16.1	–	–	–	4.24	–
		17.5		2	900	23.8	20.2	–	14.00	23.0	14.4	9.60	8.05	4.00	2.64
YZT24B21S	TMLV060A12MP12C	14.5	CF/CM/CU24A	1	575	19.4	14.5	17.00	25.90	16.2	–	–	–	4.02	–
		14.5		2	800	21.8	18.0	–	13.00	23.4	14.6	9.00	7.70	3.80	2.48
YZT24B21S	TMLV060A12MP12C	14.5	CF/CM/CU24B	1	625	19.6	15.2	17.00	26.20	16.1	–	–	–	4.16	–
		14.5		2	875	22.2	19.1	–	13.50	23.2	14.5	9.00	7.85	3.90	2.54
YZT24B21S	TMLV060A12MP12C	14.5	CF/CM/CU30A	1	625	19.5	15.2	16.00	25.55	15.8	–	–	–	3.88	–
		14.5		2	875	22.6	19.3	–	13.00	23.6	14.6	9.00	7.70	3.84	2.50
YZT24B21S	TMLV060A12MP12C	14.5	CF/CM/CU30B	1	625	19.5	15.2	17.00	26.00	15.8	–	–	–	3.90	–
		14.5		2	875	22.8	19.5	–	13.50	23.4	14.5	9.00	7.75	3.90	2.54
YZT24B21S	TMLV060A12MP12C	14.5	CF/CM/CU36B	1	625	20.2	15.5	18.00	29.65	16.0	–	–	–	4.18	–
		14.5		2	875	23.6	19.7	–	14.00	23.0	14.4	9.60	8.05	4.02	2.66
YZT24B21S	TMLV060A12MP12C	14.5	CF/CM36A	1	625	20.2	15.5	18.00	29.30	16.1	–	–	–	4.16	–
		14.5		2	875	23.6	19.7	–	14.00	23.0	14.5	9.50	8.00	3.96	2.62
YZT24B21S	TMLV080B12MP12C	17.5	CF/CM/CU24C	1	600	19.3	14.8	17.00	25.70	16.1	–	–	–	4.10	–
		17.5		2	875	22.2	19.1	–	13.00	23.4	14.6	9.00	7.80	3.86	2.52

SYSTEM CAPACITY - With High Efficiency Motor Furnaces¹ (Continued)

UNIT MODEL	FURNACE		COIL MODEL ²	Stage	COOLING					HEATING					
	MODEL	WIDTH			RATED CFM	NET MBH		SEER	EER	NET MBH		HSPF IV	HSPF V	COP	
						TOTAL	SENS.			47°F OD	17°F OD			47°F OD	17°F OD
YZT24B21S	TMLV080B12MP12C	17.5	CF/CM/CU30B	1	550	19.2	14.1	16.00	25.30	15.8	—	—	—	3.76	—
		17.5		2	825	22.6	18.7	—	13.00	23.2	14.5	9.00	7.70	3.82	2.52
YZT24B21S	TMLV080B12MP12C	17.5	CF/CM/CU30C	1	550	19.2	14.1	17.00	25.45	15.8	—	—	—	3.76	—
		17.5		2	825	22.6	18.7	—	13.50	23.2	14.5	9.00	7.75	3.82	2.54
YZT24B21S	TMLV080B12MP12C	17.5	CF/CM/CU36B	1	550	20.0	14.4	18.00	27.10	16.0	—	—	—	4.02	—
		17.5		2	825	23.4	19.0	—	14.00	23.0	14.4	9.50	7.95	3.96	2.62
YZT24B21S	TMLV080B12MP12C	17.5	CF/CM/CU36C	1	550	20.0	14.5	18.00	27.30	16.0	—	—	—	4.04	—
		17.5		2	825	23.6	19.2	—	14.00	22.8	14.4	9.50	8.00	3.98	2.62
YZT24B21S	TMLV080C16MP12C	21.0	CF/CM/CU24C	1	625	19.6	15.2	17.00	26.60	16.1	—	—	—	4.18	—
		21.0		2	875	22.4	19.3	—	13.50	23.2	14.4	9.00	7.90	3.96	2.58
YZT24B21S	TMLV080C16MP12C	21.0	CF/CM/CU30C	1	625	19.6	15.3	17.00	26.35	15.7	—	—	—	3.92	—
		21.0		2	875	22.8	19.4	—	14.00	23.4	14.4	9.00	7.80	3.94	2.56
YZT24B21S	TMLV080C16MP12C	21.0	CF/CM/CU36C	1	625	20.4	15.6	18.00	30.20	16.0	—	—	—	4.20	—
		21.0		2	875	23.8	19.9	—	14.00	22.8	14.3	9.60	8.10	4.08	2.68
YZT24B21S	TMLV100C16MP12C	21.0	CF/CM/CU24C	1	625	19.6	15.2	17.00	26.60	16.1	—	—	—	4.18	—
		21.0		2	875	22.4	19.3	—	13.50	23.2	14.4	9.00	7.90	3.96	2.58
YZT24B21S	TMLV100C16MP12C	21.0	CF/CM/CU30C	1	625	19.6	15.3	17.00	26.35	15.7	—	—	—	3.92	—
		21.0		2	875	22.8	19.4	—	14.00	23.4	14.4	9.00	7.80	3.94	2.56
YZT24B21S	TMLV100C16MP12C	21.0	CF/CM/CU36C	1	625	20.4	15.6	18.00	30.20	16.0	—	—	—	4.20	—
		21.0		2	875	23.8	19.9	—	14.00	22.8	14.3	9.60	8.10	4.08	2.68
YZT24B21S	TP9C060B12MP13C	17.5	CF/CM/CU24B	1	525	19.1	13.8	17.00	25.90	16.2	—	—	—	3.92	—
		17.5		2	775	21.8	17.8	—	13.00	23.4	14.6	9.00	7.65	3.80	2.48
YZT24B21S	TP9C060B12MP13C	17.5	CF/CM/CU24C	1	525	19.1	13.7	17.00	26.00	16.2	—	—	—	3.92	—
		17.5		2	775	21.8	17.8	—	13.00	23.4	14.6	9.00	7.70	3.80	2.48
YZT24B21S	TP9C060B12MP13C	17.5	CF/CM/CU30B	1	575	19.6	14.6	16.00	25.05	15.7	—	—	—	3.84	—
		17.5		2	875	22.6	19.3	—	13.00	23.6	14.6	9.00	7.70	3.86	2.52
YZT24B21S	TP9C060B12MP13C	17.5	CF/CM/CU30C	1	575	19.6	14.6	17.00	25.25	15.7	—	—	—	3.86	—
		17.5		2	875	22.8	19.5	—	13.50	23.4	14.5	9.00	7.70	3.88	2.52
YZT24B21S	TP9C060B12MP13C	17.5	CF/CM/CU36B	1	575	20.2	14.8	18.00	27.30	16.0	—	—	—	4.08	—
		17.5		2	875	23.6	19.7	—	14.00	23.0	14.5	9.50	8.00	3.96	2.62
YZT24B21S	TP9C060B12MP13C	17.5	CF/CM/CU36C	1	575	20.2	14.8	18.00	27.55	16.0	—	—	—	4.08	—
		17.5		2	875	23.6	19.7	—	14.00	23.0	14.4	9.60	8.00	4.00	2.64
YZT24B21S	TP9C080B12MP13C	17.5	CF/CM/CU24B	1	600	19.3	14.8	17.00	25.90	16.1	—	—	—	4.12	—
		17.5		2	875	22.2	19.1	—	13.50	23.2	14.5	9.00	7.85	3.90	2.54
YZT24B21S	TP9C080B12MP13C	17.5	CF/CM/CU24C	1	600	19.3	14.8	17.00	26.05	16.1	—	—	—	4.14	—
		17.5		2	850	22.2	18.8	—	13.50	23.2	14.5	9.00	7.85	3.92	2.56

SYSTEM CAPACITY - With High Efficiency Motor Furnaces¹ (Continued)

UNIT MODEL	FURNACE		COIL MODEL ²	Stage	COOLING					HEATING					
	MODEL	WIDTH			RATED CFM	NET MBH		SEER	EER	NET MBH		HSPF IV	HSPF V	COP	
						TOTAL	SENS.			47°F OD	17°F OD			47°F OD	17°F OD
YZT24B21S	TP9C080B12MP13C	17.5	CF/CM/CU30B	1	550	19.3	14.2	17.00	25.55	15.8	-	-	-	3.78	-
		17.5		2	800	22.6	18.4	-	13.50	23.4	14.5	9.00	7.70	3.86	2.52
YZT24B21S	TP9C080B12MP13C	17.5	CF/CM/CU30C	1	600	19.6	15.0	17.00	25.80	15.7	-	-	-	3.88	-
		17.5		2	850	22.8	19.2	-	13.50	23.4	14.5	9.00	7.75	3.92	2.52
YZT24B21S	TP9C080B12MP13C	17.5	CF/CM/CU36B	1	600	20.2	15.2	18.00	27.50	16.0	-	-	-	4.14	-
		17.5		2	850	23.6	19.5	-	14.00	23.0	14.4	9.60	8.05	4.00	2.64
YZT24B21S	TP9C080B12MP13C	17.5	CF/CM/CU36C	1	600	20.4	15.3	18.00	27.75	16.0	-	-	-	4.16	-
		17.5		2	850	23.6	19.4	-	14.00	22.8	14.3	9.60	8.05	4.04	2.66
YZT24B21S	TP9C100C16MP13C	21.0	CF/CM/CU30C	1	675	20.0	16.0	17.00	27.00	15.8	-	-	-	3.98	-
		21.0		2	900	23.0	19.9	-	14.00	23.2	14.4	9.00	7.80	3.94	2.56
YZT24B21S	TP9C100C16MP13C	21.0	CF/CM/CU36C	1	675	20.6	16.3	18.00	27.85	16.0	-	-	-	4.28	-
		21.0		2	900	23.8	20.2	-	14.00	22.8	14.3	9.60	8.15	4.10	2.68
YZT24B21S	TPLC060A12MP13C	14.5	CF/CM/CU24A	1	575	19.4	14.5	17.00	25.90	16.2	-	-	-	4.02	-
		14.5		2	800	21.8	18.0	-	13.00	23.4	14.6	9.00	7.70	3.80	2.48
YZT24B21S	TPLC060A12MP13C	14.5	CF/CM/CU24B	1	625	19.6	15.2	17.00	26.20	16.1	-	-	-	4.16	-
		14.5		2	875	22.2	19.1	-	13.50	23.2	14.5	9.00	7.85	3.90	2.54
YZT24B21S	TPLC060A12MP13C	14.5	CF/CM/CU30A	1	625	19.5	15.2	16.00	25.55	15.8	-	-	-	3.88	-
		14.5		2	875	22.6	19.3	-	13.00	23.6	14.6	9.00	7.70	3.84	2.50
YZT24B21S	TPLC060A12MP13C	14.5	CF/CM/CU30B	1	625	19.5	15.2	17.00	26.00	15.8	-	-	-	3.90	-
		14.5		2	875	22.8	19.5	-	13.50	23.4	14.5	9.00	7.75	3.90	2.54
YZT24B21S	TPLC060A12MP13C	14.5	CF/CM/CU36B	1	625	20.2	15.5	18.00	29.65	16.0	-	-	-	4.18	-
		14.5		2	875	23.6	19.7	-	14.00	23.0	14.4	9.60	8.05	4.02	2.66
YZT24B21S	TPLC060A12MP13C	14.5	CF/CM36A	1	625	20.2	15.5	18.00	29.30	16.1	-	-	-	4.16	-
		14.5		2	875	23.6	19.7	-	14.00	23.0	14.5	9.50	8.00	3.96	2.62
YZT24B21S	TPLC080B12MP13C	17.5	CF/CM/CU24C	1	600	19.3	14.8	17.00	25.70	16.1	-	-	-	4.10	-
		17.5		2	875	22.2	19.1	-	13.00	23.4	14.6	9.00	7.80	3.86	2.52
YZT24B21S	TPLC080B12MP13C	17.5	CF/CM/CU30B	1	550	19.2	14.1	16.00	25.30	15.8	-	-	-	3.76	-
		17.5		2	825	22.6	18.7	-	13.00	23.2	14.5	9.00	7.70	3.82	2.52
YZT24B21S	TPLC080B12MP13C	17.5	CF/CM/CU30C	1	550	19.2	14.1	17.00	25.45	15.8	-	-	-	3.76	-
		17.5		2	825	22.6	18.7	-	13.50	23.2	14.5	9.00	7.75	3.82	2.54
YZT24B21S	TPLC080B12MP13C	17.5	CF/CM/CU36B	1	550	20.0	14.4	18.00	27.10	16.0	-	-	-	4.02	-
		17.5		2	825	23.4	19.0	-	14.00	23.0	14.4	9.50	7.95	3.96	2.62
YZT24B21S	TPLC080B12MP13C	17.5	CF/CM/CU36C	1	550	20.0	14.5	18.00	27.30	16.0	-	-	-	4.04	-
		17.5		2	825	23.6	19.2	-	14.00	22.8	14.4	9.50	8.00	3.98	2.62
YZT24B21S	TPLC080C16MP13C	21.0	CF/CM/CU24C	1	625	19.6	15.2	17.00	26.60	16.1	-	-	-	4.18	-
		21.0		2	875	22.4	19.3	-	13.50	23.2	14.4	9.00	7.90	3.96	2.58
YZT24B21S	TPLC080C16MP13C	21.0	CF/CM/CU30C	1	625	19.6	15.3	17.00	26.35	15.7	-	-	-	3.92	-
		21.0		2	875	22.8	19.4	-	14.00	23.4	14.4	9.00	7.80	3.94	2.56

SYSTEM CAPACITY - With High Efficiency Motor Furnaces¹ (Continued)

UNIT MODEL	FURNACE		COIL MODEL ²	Stage	COOLING				HEATING						
	MODEL	WIDTH			RATED CFM	NET MBH		SEER	EER	NET MBH		HSPF IV	HSPF V	COP	
						TOTAL	SENS.			47°F OD	17°F OD			47°F OD	17°F OD
YZT24B21S	TPLC080C16MP13C	21.0	CF/CM/CU36C	1	625	20.4	15.6	18.00	30.20	16.0	–	–	–	4.20	–
		21.0		2	875	23.8	19.9	–	14.00	22.8	14.3	9.60	8.10	4.08	2.68
YZT24B21S	TPLC100C16MP13C	21.0	CF/CM/CU24C	1	625	19.6	15.2	17.00	26.60	16.1	–	–	–	4.18	–
		21.0		2	875	22.4	19.3	–	13.50	23.2	14.4	9.00	7.90	3.96	2.58
YZT24B21S	TPLC100C16MP13C	21.0	CF/CM/CU30C	1	625	19.6	15.3	17.00	26.35	15.7	–	–	–	3.92	–
		21.0		2	875	22.8	19.4	–	14.00	23.4	14.4	9.00	7.80	3.94	2.56
YZT24B21S	TPLC100C16MP13C	21.0	CF/CM/CU36C	1	625	20.4	15.6	18.00	30.20	16.0	–	–	–	4.20	–
		21.0		2	875	23.8	19.9	–	14.00	22.8	14.3	9.60	8.10	4.08	2.68
YZT24B21S	YP9C060B12MP13C	17.5	CF/CM/CU24B	1	525	19.1	13.8	17.00	25.90	16.2	–	–	–	3.92	–
		17.5		2	775	21.8	17.8	–	13.00	23.4	14.6	9.00	7.65	3.80	2.48
YZT24B21S	YP9C060B12MP13C	17.5	CF/CM/CU24C	1	525	19.1	13.7	17.00	26.00	16.2	–	–	–	3.92	–
		17.5		2	775	21.8	17.8	–	13.00	23.4	14.6	9.00	7.70	3.80	2.48
YZT24B21S	YP9C060B12MP13C	17.5	CF/CM/CU30B	1	575	19.6	14.6	16.00	25.05	15.7	–	–	–	3.84	–
		17.5		2	875	22.6	19.3	–	13.00	23.6	14.6	9.00	7.70	3.86	2.52
YZT24B21S	YP9C060B12MP13C	17.5	CF/CM/CU30C	1	575	19.6	14.6	17.00	25.25	15.7	–	–	–	3.86	–
		17.5		2	875	22.8	19.5	–	13.50	23.4	14.5	9.00	7.70	3.88	2.52
YZT24B21S	YP9C060B12MP13C	17.5	CF/CM/CU36B	1	575	20.2	14.8	18.00	27.30	16.0	–	–	–	4.08	–
		17.5		2	875	23.6	19.7	–	14.00	23.0	14.5	9.50	8.00	3.96	2.62
YZT24B21S	YP9C060B12MP13C	17.5	CF/CM/CU36C	1	575	20.2	14.8	18.00	27.55	16.0	–	–	–	4.08	–
		17.5		2	875	23.6	19.7	–	14.00	23.0	14.4	9.60	8.00	4.00	2.64
YZT24B21S	YP9C080B12MP13C	17.5	CF/CM/CU24B	1	600	19.3	14.8	17.00	25.90	16.1	–	–	–	4.12	–
		17.5		2	875	22.2	19.1	–	13.50	23.2	14.5	9.00	7.85	3.90	2.54
YZT24B21S	YP9C080B12MP13C	17.5	CF/CM/CU24C	1	600	19.3	14.8	17.00	26.05	16.1	–	–	–	4.14	–
		17.5		2	850	22.2	18.8	–	13.50	23.2	14.5	9.00	7.85	3.92	2.56
YZT24B21S	YP9C080B12MP13C	17.5	CF/CM/CU30B	1	550	19.3	14.2	17.00	25.55	15.8	–	–	–	3.78	–
		17.5		2	800	22.6	18.4	–	13.50	23.4	14.5	9.00	7.70	3.86	2.52
YZT24B21S	YP9C080B12MP13C	17.5	CF/CM/CU30C	1	600	19.6	15.0	17.00	25.80	15.7	–	–	–	3.88	–
		17.5		2	850	22.8	19.2	–	13.50	23.4	14.5	9.00	7.75	3.92	2.52
YZT24B21S	YP9C080B12MP13C	17.5	CF/CM/CU36B	1	600	20.2	15.2	18.00	27.50	16.0	–	–	–	4.14	–
		17.5		2	850	23.6	19.5	–	14.00	23.0	14.4	9.60	8.05	4.00	2.64
YZT24B21S	YP9C080B12MP13C	17.5	CF/CM/CU36C	1	600	20.4	15.3	18.00	27.75	16.0	–	–	–	4.16	–
		17.5		2	850	23.6	19.4	–	14.00	22.8	14.3	9.60	8.05	4.04	2.66
YZT24B21S	YP9C100C16MP13C	21.0	CF/CM/CU30C	1	675	20.0	16.0	17.00	27.00	15.8	–	–	–	3.98	–
		21.0		2	900	23.0	19.9	–	14.00	23.2	14.4	9.00	7.80	3.94	2.56
YZT24B21S	YP9C100C16MP13C	21.0	CF/CM/CU36C	1	675	20.6	16.3	18.00	27.85	16.0	–	–	–	4.28	–
		21.0		2	900	23.8	20.2	–	14.00	22.8	14.3	9.60	8.15	4.10	2.68

SYSTEM CAPACITY - With High Efficiency Motor Furnaces¹ (Continued)

UNIT MODEL	FURNACE		COIL MODEL ²	Stage	COOLING					HEATING					
	MODEL	WIDTH			RATED CFM	NET MBH		SEER	EER	NET MBH		HSPF IV	HSPF V	COP	
						TOTAL	SENS.			47°F OD	17°F OD			47°F OD	17°F OD
YZT24B21S	YPLC060A12MP13C	14.5	CF/CM/CU24A	1	575	19.4	14.5	17.00	25.90	16.2	-	-	-	4.02	-
		14.5		2	800	21.8	18.0	-	13.00	23.4	14.6	9.00	7.70	3.80	2.48
YZT24B21S	YPLC060A12MP13C	14.5	CF/CM/CU24B	1	625	19.6	15.2	17.00	26.20	16.1	-	-	-	4.16	-
		14.5		2	875	22.2	19.1	-	13.50	23.2	14.5	9.00	7.85	3.90	2.54
YZT24B21S	YPLC060A12MP13C	14.5	CF/CM/CU30A	1	625	19.5	15.2	16.00	25.55	15.8	-	-	-	3.88	-
		14.5		2	875	22.6	19.3	-	13.00	23.6	14.6	9.00	7.70	3.84	2.50
YZT24B21S	YPLC060A12MP13C	14.5	CF/CM/CU30B	1	625	19.5	15.2	17.00	26.00	15.8	-	-	-	3.90	-
		14.5		2	875	22.8	19.5	-	13.50	23.4	14.5	9.00	7.75	3.90	2.54
YZT24B21S	YPLC060A12MP13C	14.5	CF/CM/CU36B	1	625	20.2	15.5	18.00	29.65	16.0	-	-	-	4.18	-
		14.5		2	875	23.6	19.7	-	14.00	23.0	14.4	9.60	8.05	4.02	2.66
YZT24B21S	YPLC060A12MP13C	14.5	CF/CM36A	1	625	20.2	15.5	18.00	29.30	16.1	-	-	-	4.16	-
		14.5		2	875	23.6	19.7	-	14.00	23.0	14.5	9.50	8.00	3.96	2.62
YZT24B21S	YPLC080B12MP13C	17.5	CF/CM/CU24C	1	600	19.3	14.8	17.00	25.70	16.1	-	-	-	4.10	-
		17.5		2	875	22.2	19.1	-	13.00	23.4	14.6	9.00	7.80	3.86	2.52
YZT24B21S	YPLC080B12MP13C	17.5	CF/CM/CU30B	1	550	19.2	14.1	16.00	25.30	15.8	-	-	-	3.76	-
		17.5		2	825	22.6	18.7	-	13.00	23.2	14.5	9.00	7.70	3.82	2.52
YZT24B21S	YPLC080B12MP13C	17.5	CF/CM/CU30C	1	550	19.2	14.1	17.00	25.45	15.8	-	-	-	3.76	-
		17.5		2	825	22.6	18.7	-	13.50	23.2	14.5	9.00	7.75	3.82	2.54
YZT24B21S	YPLC080B12MP13C	17.5	CF/CM/CU36B	1	550	20.0	14.4	18.00	27.10	16.0	-	-	-	4.02	-
		17.5		2	825	23.4	19.0	-	14.00	23.0	14.4	9.50	7.95	3.96	2.62
YZT24B21S	YPLC080B12MP13C	17.5	CF/CM/CU36C	1	550	20.0	14.5	18.00	27.30	16.0	-	-	-	4.04	-
		17.5		2	825	23.6	19.2	-	14.00	22.8	14.4	9.50	8.00	3.98	2.62
YZT24B21S	YPLC080C16MP13C	21.0	CF/CM/CU24C	1	625	19.6	15.2	17.00	26.60	16.1	-	-	-	4.18	-
		21.0		2	875	22.4	19.3	-	13.50	23.2	14.4	9.00	7.90	3.96	2.58
YZT24B21S	YPLC080C16MP13C	21.0	CF/CM/CU30C	1	625	19.6	15.3	17.00	26.35	15.7	-	-	-	3.92	-
		21.0		2	875	22.8	19.4	-	14.00	23.4	14.4	9.00	7.80	3.94	2.56
YZT24B21S	YPLC080C16MP13C	21.0	CF/CM/CU36C	1	625	20.4	15.6	18.00	30.20	16.0	-	-	-	4.20	-
		21.0		2	875	23.8	19.9	-	14.00	22.8	14.3	9.60	8.10	4.08	2.68
YZT24B21S	YPLC100C16MP13C	21.0	CF/CM/CU24C	1	625	19.6	15.2	17.00	26.60	16.1	-	-	-	4.18	-
		21.0		2	875	22.4	19.3	-	13.50	23.2	14.4	9.00	7.90	3.96	2.58
YZT24B21S	YPLC100C16MP13C	21.0	CF/CM/CU30C	1	625	19.6	15.3	17.00	26.35	15.7	-	-	-	3.92	-
		21.0		2	875	22.8	19.4	-	14.00	23.4	14.4	9.00	7.80	3.94	2.56
YZT24B21S	YPLC100C16MP13C	21.0	CF/CM/CU36C	1	625	20.4	15.6	18.00	30.20	16.0	-	-	-	4.20	-
		21.0		2	875	23.8	19.9	-	14.00	22.8	14.3	9.60	8.10	4.08	2.68
YZT36B21S	TM8V060A12MP12C	14.5	CF/CM/CU36B	1	675	27.4	19.1	17.00	24.30	28.6	-	-	-	4.02	-
		14.5		2	975	34.0	25.0	-	13.00	35.2	21.8	9.50	8.25	3.74	2.68
YZT36B21S	TM8V060A12MP12C	14.5	CF42B	1	675	27.4	19.0	17.00	24.50	28.4	-	-	-	3.50	-
		14.5		2	975	33.2	24.8	-	13.00	35.2	21.8	9.25	8.15	3.68	2.68

SYSTEM CAPACITY - With High Efficiency Motor Furnaces¹ (Continued)

UNIT MODEL	FURNACE		COIL MODEL ²	Stage	COOLING					HEATING					
	MODEL	WIDTH			RATED CFM	NET MBH		SEER	EER	NET MBH		HSPF IV	HSPF V	COP	
						TOTAL	SENS.			47°F OD	17°F OD			47°F OD	17°F OD
YZT36B21S	TM8V080B12MP12C	17.5	CF/CM/CU36C	1	675	27.2	19.0	17.00	24.00	28.6	—	—	—	4.00	—
		17.5		2	1000	34.4	25.4	—	13.00	35.4	21.8	9.00	8.25	3.74	2.68
YZT36B21S	TM8V080B12MP12C	17.5	CF/CM/CU42C	1	675	27.6	19.1	17.00	24.45	28.6	—	—	—	3.42	—
		17.5		2	1000	33.4	25.0	—	13.00	35.4	21.8	9.00	8.10	3.62	2.68
YZT36B21S	TM8V080B12MP12C	17.5	CF/CM/CU48C	1	675	28.2	19.4	17.00	25.30	24.4	—	—	—	3.30	—
		17.5		2	1000	35.0	25.8	—	13.00	35.8	21.8	9.00	8.05	3.80	2.68
YZT36B21S	TM8V080B12MP12C	17.5	CF/CM/CU60C	1	800	29.8	21.6	18.00	25.80	24.6	—	—	—	3.42	—
		17.5		2	1200	35.2	28.0	—	13.00	36.0	22.4	9.60	8.40	3.72	2.82
YZT36B21S	TM8V080C16MP12C	21.0	CF/CM/CU36C	1	700	27.4	19.4	17.00	24.65	28.4	—	—	—	4.46	—
		21.0		2	1050	34.6	26.2	—	13.00	34.8	21.8	9.50	8.40	4.08	2.68
YZT36B21S	TM8V080C16MP12C	21.0	CF/CM/CU42C	1	650	27.6	18.8	17.00	24.45	28.6	—	—	—	3.30	—
		21.0		2	950	33.8	24.8	—	13.00	35.4	21.8	9.00	8.05	3.58	2.68
YZT36B21S	TM8V080C16MP12C	21.0	CF/CM/CU42D	1	700	28.6	19.8	17.00	25.65	28.8	—	—	—	3.24	—
		21.0		2	1050	34.0	26.0	—	13.00	35.6	21.8	9.00	8.05	3.54	2.68
YZT36B21S	TM8V080C16MP12C	21.0	CF/CM/CU48C	1	650	28.2	19.1	18.00	25.80	24.4	—	—	—	3.24	—
		21.0		2	950	34.8	25.2	—	14.00	35.6	21.8	9.00	8.05	3.82	2.68
YZT36B21S	TM8V080C16MP12C	21.0	CF/CM/CU48D	1	700	28.8	20.0	18.00	26.15	24.4	—	—	—	3.40	—
		21.0		2	1050	35.4	26.6	—	14.00	35.6	21.8	9.50	8.10	3.88	2.68
YZT36B21S	TM8V080C16MP12C	21.0	CF/CM/CU60C	1	800	29.6	21.4	18.00	26.50	24.0	—	—	—	3.80	—
		21.0		2	1150	35.6	28.0	—	14.00	35.2	22.4	10.00	8.60	4.16	2.82
YZT36B21S	TM8V080C16MP12C	21.0	CF/CM/CU60D	1	800	29.6	21.4	18.00	26.60	24.0	—	—	—	3.80	—
		21.0		2	1150	35.8	28.0	—	14.00	35.2	22.4	10.00	8.65	4.18	2.82
YZT36B21S	TM8V100C16MP12C	21.0	CF/CM/CU36C	1	700	27.4	19.4	17.00	24.65	28.4	—	—	—	4.46	—
		21.0		2	1050	34.6	26.2	—	13.00	34.8	21.8	9.50	8.40	4.08	2.68
YZT36B21S	TM8V100C16MP12C	21.0	CF/CM/CU42C	1	650	27.6	18.8	17.00	24.45	28.6	—	—	—	3.30	—
		21.0		2	950	33.8	24.8	—	13.00	35.4	21.8	9.00	8.05	3.58	2.68
YZT36B21S	TM8V100C16MP12C	21.0	CF/CM/CU42D	1	700	28.6	19.8	17.00	25.65	28.8	—	—	—	3.24	—
		21.0		2	1050	34.0	26.0	—	13.00	35.6	21.8	9.00	8.05	3.54	2.68
YZT36B21S	TM8V100C16MP12C	21.0	CF/CM/CU48C	1	650	28.2	19.1	18.00	25.80	24.4	—	—	—	3.24	—
		21.0		2	950	34.8	25.2	—	14.00	35.6	21.8	9.00	8.05	3.82	2.68
YZT36B21S	TM8V100C16MP12C	21.0	CF/CM/CU48D	1	700	28.8	20.0	18.00	26.15	24.4	—	—	—	3.40	—
		21.0		2	1050	35.4	26.6	—	14.00	35.6	21.8	9.50	8.10	3.88	2.68
YZT36B21S	TM8V100C16MP12C	21.0	CF/CM/CU60C	1	800	29.6	21.4	18.00	26.50	24.0	—	—	—	3.80	—
		21.0		2	1150	35.6	28.0	—	14.00	35.2	22.4	10.00	8.60	4.16	2.82
YZT36B21S	TM8V100C16MP12C	21.0	CF/CM/CU60D	1	800	29.6	21.4	18.00	26.60	24.0	—	—	—	3.80	—
		21.0		2	1150	35.8	28.0	—	14.00	35.2	22.4	10.00	8.65	4.18	2.82

SYSTEM CAPACITY - With High Efficiency Motor Furnaces¹ (Continued)

UNIT MODEL	FURNACE		COIL MODEL ²	Stage	COOLING					HEATING					
	MODEL	WIDTH			RATED CFM	NET MBH		SEER	EER	NET MBH		HSPF IV	HSPF V	COP	
						TOTAL	SENS.			47°F OD	17°F OD			47°F OD	17°F OD
YZT36B21S	TM8V100C20MP12C	21.0	CF/CM/CU36C	1	800	28.0	20.8	17.00	25.10	28.6	-	-	-	4.72	-
		21.0		2	1150	35.0	27.6	-	13.00	35.0	21.8	9.50	8.45	4.20	2.68
YZT36B21S	TM8V100C20MP12C	21.0	CF/CM/CU42C	1	800	28.8	21.2	18.00	25.65	28.2	-	-	-	3.76	-
		21.0		2	1150	34.4	27.4	-	13.00	35.4	21.8	9.50	8.20	3.86	2.68
YZT36B21S	TM8V100C20MP12C	21.0	CF/CM/CU42D	1	800	28.8	21.2	18.00	25.70	28.2	-	-	-	3.76	-
		21.0		2	1150	34.4	27.4	-	13.00	35.4	21.8	9.50	8.20	3.88	2.68
YZT36B21S	TM8V100C20MP12C	21.0	CF/CM/CU48C	1	800	29.4	21.4	18.00	26.65	24.2	-	-	-	3.54	-
		21.0		2	1150	35.8	27.8	-	14.00	35.6	21.8	9.00	8.15	3.94	2.68
YZT36B21S	TM8V100C20MP12C	21.0	CF/CM/CU48D	1	800	29.4	21.4	18.00	26.70	24.2	-	-	-	3.56	-
		21.0		2	1150	35.8	27.8	-	14.00	35.6	21.8	9.50	8.15	3.94	2.68
YZT36B21S	TM8V100C20MP12C	21.0	CF/CM/CU60C	1	800	29.6	21.4	18.00	26.85	24.0	-	-	-	3.82	-
		21.0		2	1150	35.8	28.0	-	14.00	35.0	22.4	10.00	8.65	4.20	2.82
YZT36B21S	TM8V100C20MP12C	21.0	CF/CM/CU60D	1	800	29.6	21.6	18.00	26.90	24.0	-	-	-	3.82	-
		21.0		2	1150	35.8	28.2	-	14.00	35.0	22.4	10.00	8.65	4.22	2.82
YZT36B21S	TM8V120C20MP12C	21.0	CF/CM/CU36C	1	800	28.0	20.8	17.00	25.10	28.6	-	-	-	4.72	-
		21.0		2	1150	35.0	27.6	-	13.00	35.0	21.8	9.50	8.45	4.20	2.68
YZT36B21S	TM8V120C20MP12C	21.0	CF/CM/CU42C	1	800	28.8	21.2	18.00	25.65	28.2	-	-	-	3.76	-
		21.0		2	1150	34.4	27.4	-	13.00	35.4	21.8	9.50	8.20	3.86	2.68
YZT36B21S	TM8V120C20MP12C	21.0	CF/CM/CU42D	1	800	28.8	21.2	18.00	25.70	28.2	-	-	-	3.76	-
		21.0		2	1150	34.4	27.4	-	13.00	35.4	21.8	9.50	8.20	3.88	2.68
YZT36B21S	TM8V120C20MP12C	21.0	CF/CM/CU48C	1	800	29.4	21.4	18.00	26.65	24.2	-	-	-	3.54	-
		21.0		2	1150	35.8	27.8	-	14.00	35.6	21.8	9.00	8.15	3.94	2.68
YZT36B21S	TM8V120C20MP12C	21.0	CF/CM/CU48D	1	800	29.4	21.4	18.00	26.70	24.2	-	-	-	3.56	-
		21.0		2	1150	35.8	27.8	-	14.00	35.6	21.8	9.50	8.15	3.94	2.68
YZT36B21S	TM8V120C20MP12C	21.0	CF/CM/CU60C	1	800	29.6	21.4	18.00	26.85	24.0	-	-	-	3.82	-
		21.0		2	1150	35.8	28.0	-	14.00	35.0	22.4	10.00	8.65	4.20	2.82
YZT36B21S	TM8V120C20MP12C	21.0	CF/CM/CU60D	1	800	29.6	21.6	18.00	26.90	24.0	-	-	-	3.82	-
		21.0		2	1150	35.8	28.2	-	14.00	35.0	22.4	10.00	8.65	4.22	2.82
YZT36B21S	TM8X060A12MP11	14.5	CF/CM/CU36B	1	950	28.6	22.8	16.00	23.15	29.0	-	-	-	4.38	-
		14.5		2	1125	34.8	27.0	-	13.00	35.6	21.8	9.00	8.30	3.68	2.68
YZT36B21S	TM8X060A12MP11	14.5	CF/CM36A	1	925	28.4	22.4	16.00	22.80	29.2	-	-	-	4.38	-
		14.5		2	1075	34.6	26.2	-	13.00	35.6	21.8	9.00	8.30	3.66	2.68
YZT36B21S	TM8X060A12MP11	14.5	CF42B	1	950	30.0	23.4	17.00	23.65	29.2	-	-	-	3.26	-
		14.5		2	1125	34.4	27.0	-	13.00	36.0	21.8	8.75	8.00	3.30	2.68
YZT36B21S	TM8X080B12MP11	17.5	CF/CM/CU36B	1	1000	28.8	23.6	16.00	23.25	29.0	-	-	-	4.40	-
		17.5		2	1175	34.2	27.4	-	13.00	35.6	21.8	9.00	8.30	3.68	2.68
YZT36B21S	TM8X080B12MP11	17.5	CF/CM/CU36C	1	1025	28.8	23.8	16.00	23.55	28.8	-	-	-	4.68	-
		17.5		2	1200	35.2	28.0	-	13.00	35.6	21.8	9.00	8.35	3.86	2.68

SYSTEM CAPACITY - With High Efficiency Motor Furnaces¹ (Continued)

UNIT MODEL	FURNACE		COIL MODEL ²	Stage	COOLING					HEATING					
	MODEL	WIDTH			RATED CFM	NET MBH		SEER	EER	NET MBH		HSPF IV	HSPF V	COP	
						TOTAL	SENS.			47°F OD	17°F OD			47°F OD	17°F OD
YZT36B21S	TM8X080B12MP11	17.5	CF/CM/CU42C	1	1025	29.4	24.0	17.00	24.00	28.6	—	—	—	3.84	—
		17.5		2	1200	34.2	27.8	—	13.00	36.0	21.8	9.00	8.15	3.56	2.68
YZT36B21S	TM8X080B12MP11	17.5	CF/CM/CU48C	1	1025	30.0	24.4	17.00	24.75	24.6	—	—	—	3.64	—
		17.5		2	1200	36.0	28.4	—	13.00	36.0	21.8	9.00	8.10	3.74	2.68
YZT36B21S	TM8X080B12MP11	17.5	CF/CM/CU60C	1	1025	30.8	24.6	18.00	25.25	24.6	—	—	—	3.68	—
		17.5		2	1200	35.6	28.4	—	13.00	36.0	22.4	9.60	8.50	3.82	2.82
YZT36B21S	TM8X080B12MP11	17.5	CF42B	1	1000	29.8	23.8	17.00	23.85	28.2	—	—	—	4.10	—
		17.5		2	1150	34.0	27.0	—	13.00	35.8	21.8	9.00	8.25	3.74	2.68
YZT36B21S	TM8X080C16MP11	21.0	CF/CM/CU36C	1	1000	28.0	23.2	17.00	23.70	28.6	—	—	—	5.06	—
		21.0		2	1150	35.0	27.4	—	13.00	35.0	21.8	9.50	8.45	4.16	2.68
YZT36B21S	TM8X080C16MP11	21.0	CF/CM/CU42C	1	1000	30.0	24.0	17.00	25.05	28.0	—	—	—	4.18	—
		21.0		2	1150	34.4	27.4	—	13.00	35.4	21.8	9.50	8.30	3.84	2.68
YZT36B21S	TM8X080C16MP11	21.0	CF/CM/CU42D	1	1000	30.2	24.2	17.00	25.15	28.8	—	—	—	3.54	—
		21.0		2	1175	35.0	27.8	—	13.00	35.8	21.8	9.00	8.10	3.38	2.68
YZT36B21S	TM8X080C16MP11	21.0	CF/CM/CU48C	1	1000	30.0	24.2	18.00	25.65	24.4	—	—	—	3.84	—
		21.0		2	1150	35.8	28.0	—	14.00	35.6	21.8	9.60	8.20	3.90	2.68
YZT36B21S	TM8X080C16MP11	21.0	CF/CM/CU48D	1	1000	30.0	24.2	18.00	25.70	24.4	—	—	—	3.84	—
		21.0		2	1150	35.8	28.0	—	14.00	35.6	21.8	9.60	8.20	3.90	2.68
YZT36B21S	TM8X080C16MP11	21.0	CF/CM/CU60C	1	1000	30.4	24.2	18.00	25.95	24.2	—	—	—	4.02	—
		21.0		2	1150	35.8	28.0	—	14.00	35.2	22.4	10.00	8.70	4.16	2.82
YZT36B21S	TM8X080C16MP11	21.0	CF/CM/CU60D	1	1000	31.4	24.6	19.00	26.80	24.6	—	—	—	3.34	—
		21.0		2	1175	36.0	28.2	—	14.00	36.0	22.4	9.60	8.40	3.64	2.82
YZT36B21S	TM8X100C16MP11	21.0	CF/CM/CU36C	1	1000	28.0	23.2	17.00	23.70	28.6	—	—	—	5.06	—
		21.0		2	1150	35.0	27.4	—	13.00	35.0	21.8	9.50	8.45	4.16	2.68
YZT36B21S	TM8X100C16MP11	21.0	CF/CM/CU42C	1	1000	30.0	24.0	17.00	25.05	28.0	—	—	—	4.18	—
		21.0		2	1150	34.4	27.4	—	13.00	35.4	21.8	9.50	8.30	3.84	2.68
YZT36B21S	TM8X100C16MP11	21.0	CF/CM/CU42D	1	1000	30.2	24.2	17.00	25.15	28.8	—	—	—	3.54	—
		21.0		2	1175	35.0	27.8	—	13.00	35.8	21.8	9.00	8.10	3.38	2.68
YZT36B21S	TM8X100C16MP11	21.0	CF/CM/CU48C	1	1000	30.0	24.2	18.00	25.65	24.4	—	—	—	3.84	—
		21.0		2	1150	35.8	28.0	—	14.00	35.6	21.8	9.60	8.20	3.90	2.68
YZT36B21S	TM8X100C16MP11	21.0	CF/CM/CU48D	1	1000	30.0	24.2	18.00	25.70	24.4	—	—	—	3.84	—
		21.0		2	1150	35.8	28.0	—	14.00	35.6	21.8	9.60	8.20	3.90	2.68
YZT36B21S	TM8X100C16MP11	21.0	CF/CM/CU60C	1	1000	30.4	24.2	18.00	25.95	24.2	—	—	—	4.02	—
		21.0		2	1150	35.8	28.0	—	14.00	35.2	22.4	10.00	8.70	4.16	2.82
YZT36B21S	TM8X100C16MP11	21.0	CF/CM/CU60D	1	1000	31.4	24.6	19.00	26.80	24.6	—	—	—	3.34	—
		21.0		2	1175	36.0	28.2	—	14.00	36.0	22.4	9.60	8.40	3.64	2.82

SYSTEM CAPACITY - With High Efficiency Motor Furnaces¹ (Continued)

UNIT MODEL	FURNACE		COIL MODEL ²	Stage	COOLING					HEATING					
	MODEL	WIDTH			RATED CFM	NET MBH		SEER	EER	NET MBH		HSPF IV	HSPF V	COP	
						TOTAL	SENS.			47°F OD	17°F OD			47°F OD	17°F OD
YZT36B21S	TM8X100C20MP11	21.0	CF/CM/CU36C	1	1025	29.0	24.0	17.00	24.60	28.8	–	–	–	4.50	–
		21.0		2	1225	34.8	28.4	–	13.00	35.4	21.8	9.50	8.35	3.80	2.68
YZT36B21S	TM8X100C20MP11	21.0	CF/CM/CU42C	1	1025	29.8	24.2	18.00	25.35	28.0	–	–	–	4.24	–
		21.0		2	1225	34.6	28.2	–	13.00	35.4	21.8	9.60	8.30	3.94	2.68
YZT36B21S	TM8X100C20MP11	21.0	CF/CM/CU42D	1	1050	29.8	24.6	18.00	25.50	27.8	–	–	–	4.36	–
		21.0		2	1250	34.6	28.6	–	13.00	35.0	21.8	9.60	8.35	3.98	2.68
YZT36B21S	TM8X100C20MP11	21.0	CF/CM/CU48C	1	1050	30.4	25.0	18.00	26.05	24.4	–	–	–	3.80	–
		21.0		2	1225	36.0	28.8	–	14.00	35.8	21.8	9.50	8.20	3.88	2.68
YZT36B21S	TM8X100C20MP11	21.0	CF/CM/CU48D	1	1050	30.4	25.0	18.00	26.10	24.4	–	–	–	3.82	–
		21.0		2	1250	36.0	29.0	–	14.00	35.6	21.8	9.50	8.20	3.94	2.68
YZT36B21S	TM8X100C20MP11	21.0	CF/CM/CU60C	1	1025	30.6	24.6	18.00	26.30	24.2	–	–	–	4.10	–
		21.0		2	1225	36.0	29.0	–	14.00	35.0	22.4	10.00	8.70	4.20	2.82
YZT36B21S	TM8X100C20MP11	21.0	CF/CM/CU60D	1	1050	30.6	24.8	18.00	26.40	24.0	–	–	–	4.16	–
		21.0		2	1250	36.0	29.2	–	14.00	34.8	22.4	10.00	8.75	4.34	2.82
YZT36B21S	TM8X120C20MP11	21.0	CF/CM/CU36C	1	1025	29.0	24.0	17.00	24.60	28.8	–	–	–	4.50	–
		21.0		2	1225	34.8	28.4	–	13.00	35.4	21.8	9.50	8.35	3.80	2.68
YZT36B21S	TM8X120C20MP11	21.0	CF/CM/CU42C	1	1025	29.8	24.2	18.00	25.35	28.0	–	–	–	4.24	–
		21.0		2	1225	34.6	28.2	–	13.00	35.4	21.8	9.60	8.30	3.94	2.68
YZT36B21S	TM8X120C20MP11	21.0	CF/CM/CU42D	1	1050	29.8	24.6	18.00	25.50	27.8	–	–	–	4.36	–
		21.0		2	1250	34.6	28.6	–	13.00	35.0	21.8	9.60	8.35	3.98	2.68
YZT36B21S	TM8X120C20MP11	21.0	CF/CM/CU48C	1	1050	30.4	25.0	18.00	26.05	24.4	–	–	–	3.80	–
		21.0		2	1225	36.0	28.8	–	14.00	35.8	21.8	9.50	8.20	3.88	2.68
YZT36B21S	TM8X120C20MP11	21.0	CF/CM/CU48D	1	1050	30.4	25.0	18.00	26.10	24.4	–	–	–	3.82	–
		21.0		2	1250	36.0	29.0	–	14.00	35.6	21.8	9.50	8.20	3.94	2.68
YZT36B21S	TM8X120C20MP11	21.0	CF/CM/CU60C	1	1025	30.6	24.6	18.00	26.30	24.2	–	–	–	4.10	–
		21.0		2	1225	36.0	29.0	–	14.00	35.0	22.4	10.00	8.70	4.20	2.82
YZT36B21S	TM8X120C20MP11	21.0	CF/CM/CU60D	1	1050	30.6	24.8	18.00	26.40	24.0	–	–	–	4.16	–
		21.0		2	1250	36.0	29.2	–	14.00	34.8	22.4	10.00	8.75	4.34	2.82
YZT36B21S	TM8Y060A12MP11	14.5	CF/CM/CU36B	1	950	28.6	22.8	16.00	23.15	29.0	–	–	–	4.38	–
		14.5		2	1125	34.8	27.0	–	13.00	35.6	21.8	9.00	8.30	3.68	2.68
YZT36B21S	TM8Y060A12MP11	14.5	CF/CM36A	1	925	28.4	22.4	16.00	22.80	29.2	–	–	–	4.38	–
		14.5		2	1075	34.6	26.2	–	13.00	35.6	21.8	9.00	8.30	3.66	2.68
YZT36B21S	TM8Y060A12MP11	14.5	CF42B	1	950	30.0	23.4	17.00	23.65	29.2	–	–	–	3.26	–
		14.5		2	1125	34.4	27.0	–	13.00	36.0	21.8	8.75	8.00	3.30	2.68
YZT36B21S	TM8Y080B12MP11	17.5	CF/CM/CU36B	1	1000	28.8	23.6	16.00	23.25	29.0	–	–	–	4.40	–
		17.5		2	1175	34.2	27.4	–	13.00	35.6	21.8	9.00	8.30	3.68	2.68

SYSTEM CAPACITY - With High Efficiency Motor Furnaces¹ (Continued)

UNIT MODEL	FURNACE		COIL MODEL ²	Stage	COOLING					HEATING					
	MODEL	WIDTH			RATED CFM	NET MBH		SEER	EER	NET MBH		HSPF IV	HSPF V	COP	
						TOTAL	SENS.			47°F OD	17°F OD			47°F OD	17°F OD
YZT36B21S	TM8Y080B12MP11	17.5	CF/CM/CU36C	1	1025	28.8	23.8	16.00	23.55	28.8	—	—	—	4.68	—
		17.5		2	1200	35.2	28.0	—	13.00	35.6	21.8	9.00	8.35	3.86	2.68
YZT36B21S	TM8Y080B12MP11	17.5	CF/CM/CU42C	1	1025	29.4	24.0	17.00	24.00	28.6	—	—	—	3.84	—
		17.5		2	1200	34.2	27.8	—	13.00	36.0	21.8	9.00	8.15	3.56	2.68
YZT36B21S	TM8Y080B12MP11	17.5	CF/CM/CU48C	1	1025	30.0	24.4	17.00	24.75	24.6	—	—	—	3.64	—
		17.5		2	1200	36.0	28.4	—	13.00	36.0	21.8	9.00	8.10	3.74	2.68
YZT36B21S	TM8Y080B12MP11	17.5	CF/CM/CU60C	1	1025	30.8	24.6	18.00	25.25	24.6	—	—	—	3.68	—
		17.5		2	1200	35.6	28.4	—	13.00	36.0	22.4	9.60	8.50	3.82	2.82
YZT36B21S	TM8Y080B12MP11	17.5	CF42B	1	1000	29.8	23.8	17.00	23.85	28.2	—	—	—	4.10	—
		17.5		2	1150	34.0	27.0	—	13.00	35.8	21.8	9.00	8.25	3.74	2.68
YZT36B21S	TM8Y080C16MP11	21.0	CF/CM/CU36C	1	1000	28.0	23.2	17.00	23.70	28.6	—	—	—	5.06	—
		21.0		2	1150	35.0	27.4	—	13.00	35.0	21.8	9.50	8.45	4.16	2.68
YZT36B21S	TM8Y080C16MP11	21.0	CF/CM/CU42C	1	1000	30.0	24.0	17.00	25.05	28.0	—	—	—	4.18	—
		21.0		2	1150	34.4	27.4	—	13.00	35.4	21.8	9.50	8.30	3.84	2.68
YZT36B21S	TM8Y080C16MP11	21.0	CF/CM/CU42D	1	1000	30.2	24.2	17.00	25.15	28.8	—	—	—	3.54	—
		21.0		2	1175	35.0	27.8	—	13.00	35.8	21.8	9.00	8.10	3.38	2.68
YZT36B21S	TM8Y080C16MP11	21.0	CF/CM/CU48C	1	1000	30.0	24.2	18.00	25.65	24.4	—	—	—	3.84	—
		21.0		2	1150	35.8	28.0	—	14.00	35.6	21.8	9.60	8.20	3.90	2.68
YZT36B21S	TM8Y080C16MP11	21.0	CF/CM/CU48D	1	1000	30.0	24.2	18.00	25.70	24.4	—	—	—	3.84	—
		21.0		2	1150	35.8	28.0	—	14.00	35.6	21.8	9.60	8.20	3.90	2.68
YZT36B21S	TM8Y080C16MP11	21.0	CF/CM/CU60C	1	1000	30.4	24.2	18.00	25.95	24.2	—	—	—	4.02	—
		21.0		2	1150	35.8	28.0	—	14.00	35.2	22.4	10.00	8.70	4.16	2.82
YZT36B21S	TM8Y080C16MP11	21.0	CF/CM/CU60D	1	1000	31.4	24.6	19.00	26.80	24.6	—	—	—	3.34	—
		21.0		2	1175	36.0	28.2	—	14.00	36.0	22.4	9.60	8.40	3.64	2.82
YZT36B21S	TM8Y100C16MP11	21.0	CF/CM/CU36C	1	1000	28.0	23.2	17.00	23.70	28.6	—	—	—	5.06	—
		21.0		2	1150	35.0	27.4	—	13.00	35.0	21.8	9.50	8.45	4.16	2.68
YZT36B21S	TM8Y100C16MP11	21.0	CF/CM/CU42C	1	1000	30.0	24.0	17.00	25.05	28.0	—	—	—	4.18	—
		21.0		2	1150	34.4	27.4	—	13.00	35.4	21.8	9.50	8.30	3.84	2.68
YZT36B21S	TM8Y100C16MP11	21.0	CF/CM/CU42D	1	1000	30.2	24.2	17.00	25.15	28.8	—	—	—	3.54	—
		21.0		2	1175	35.0	27.8	—	13.00	35.8	21.8	9.00	8.10	3.38	2.68
YZT36B21S	TM8Y100C16MP11	21.0	CF/CM/CU48C	1	1000	30.0	24.2	18.00	25.65	24.4	—	—	—	3.84	—
		21.0		2	1150	35.8	28.0	—	14.00	35.6	21.8	9.60	8.20	3.90	2.68
YZT36B21S	TM8Y100C16MP11	21.0	CF/CM/CU48D	1	1000	30.0	24.2	18.00	25.70	24.4	—	—	—	3.84	—
		21.0		2	1150	35.8	28.0	—	14.00	35.6	21.8	9.60	8.20	3.90	2.68
YZT36B21S	TM8Y100C16MP11	21.0	CF/CM/CU60C	1	1000	30.4	24.2	18.00	25.95	24.2	—	—	—	4.02	—
		21.0		2	1150	35.8	28.0	—	14.00	35.2	22.4	10.00	8.70	4.16	2.82

SYSTEM CAPACITY - With High Efficiency Motor Furnaces¹ (Continued)

UNIT MODEL	FURNACE		COIL MODEL ²	Stage	COOLING					HEATING					
	MODEL	WIDTH			RATED CFM	NET MBH		SEER	EER	NET MBH		HSPF IV	HSPF V	COP	
						TOTAL	SENS.			47°F OD	17°F OD			47°F OD	17°F OD
YZT36B21S	TM8Y100C16MP11	21.0	CF/CM/CU60D	1	1000	31.4	24.6	19.00	26.80	24.6	–	–	–	3.34	–
		21.0		2	1175	36.0	28.2	–	14.00	36.0	22.4	9.60	8.40	3.64	2.82
YZT36B21S	TM8Y100C20MP11	21.0	CF/CM/CU36C	1	1025	29.0	24.0	17.00	24.60	28.8	–	–	–	4.50	–
		21.0		2	1225	34.8	28.4	–	13.00	35.4	21.8	9.50	8.35	3.80	2.68
YZT36B21S	TM8Y100C20MP11	21.0	CF/CM/CU42C	1	1025	29.8	24.2	18.00	25.35	28.0	–	–	–	4.24	–
		21.0		2	1225	34.6	28.2	–	13.00	35.4	21.8	9.60	8.30	3.94	2.68
YZT36B21S	TM8Y100C20MP11	21.0	CF/CM/CU42D	1	1050	29.8	24.6	18.00	25.50	27.8	–	–	–	4.36	–
		21.0		2	1250	34.6	28.6	–	13.00	35.0	21.8	9.60	8.35	3.98	2.68
YZT36B21S	TM8Y100C20MP11	21.0	CF/CM/CU48C	1	1050	30.4	25.0	18.00	26.05	24.4	–	–	–	3.80	–
		21.0		2	1225	36.0	28.8	–	14.00	35.8	21.8	9.50	8.20	3.88	2.68
YZT36B21S	TM8Y100C20MP11	21.0	CF/CM/CU48D	1	1050	30.4	25.0	18.00	26.10	24.4	–	–	–	3.82	–
		21.0		2	1250	36.0	29.0	–	14.00	35.6	21.8	9.50	8.20	3.94	2.68
YZT36B21S	TM8Y100C20MP11	21.0	CF/CM/CU60C	1	1025	30.6	24.6	18.00	26.30	24.2	–	–	–	4.10	–
		21.0		2	1225	36.0	29.0	–	14.00	35.0	22.4	10.00	8.70	4.20	2.82
YZT36B21S	TM8Y100C20MP11	21.0	CF/CM/CU60D	1	1050	30.6	24.8	18.00	26.40	24.0	–	–	–	4.16	–
		21.0		2	1250	36.0	29.2	–	14.00	34.8	22.4	10.00	8.75	4.34	2.82
YZT36B21S	TM8Y120C20MP11	21.0	CF/CM/CU36C	1	1025	29.0	24.0	17.00	24.60	28.8	–	–	–	4.50	–
		21.0		2	1225	34.8	28.4	–	13.00	35.4	21.8	9.50	8.35	3.80	2.68
YZT36B21S	TM8Y120C20MP11	21.0	CF/CM/CU42C	1	1025	29.8	24.2	18.00	25.35	28.0	–	–	–	4.24	–
		21.0		2	1225	34.6	28.2	–	13.00	35.4	21.8	9.60	8.30	3.94	2.68
YZT36B21S	TM8Y120C20MP11	21.0	CF/CM/CU42D	1	1050	29.8	24.6	18.00	25.50	27.8	–	–	–	4.36	–
		21.0		2	1250	34.6	28.6	–	13.00	35.0	21.8	9.60	8.35	3.98	2.68
YZT36B21S	TM8Y120C20MP11	21.0	CF/CM/CU48C	1	1050	30.4	25.0	18.00	26.05	24.4	–	–	–	3.80	–
		21.0		2	1225	36.0	28.8	–	14.00	35.8	21.8	9.50	8.20	3.88	2.68
YZT36B21S	TM8Y120C20MP11	21.0	CF/CM/CU48D	1	1050	30.4	25.0	18.00	26.10	24.4	–	–	–	3.82	–
		21.0		2	1250	36.0	29.0	–	14.00	35.6	21.8	9.50	8.20	3.94	2.68
YZT36B21S	TM8Y120C20MP11	21.0	CF/CM/CU60C	1	1025	30.6	24.6	18.00	26.30	24.2	–	–	–	4.10	–
		21.0		2	1225	36.0	29.0	–	14.00	35.0	22.4	10.00	8.70	4.20	2.82
YZT36B21S	TM8Y120C20MP11	21.0	CF/CM/CU60D	1	1050	30.6	24.8	18.00	26.40	24.0	–	–	–	4.16	–
		21.0		2	1250	36.0	29.2	–	14.00	34.8	22.4	10.00	8.75	4.34	2.82
YZT36B21S	TM9E080B12MP11	17.5	CF/CM/CU36B	1	900	28.4	22.0	17.00	23.60	29.2	–	–	–	4.42	–
		17.5		2	975	34.2	25.2	–	13.00	35.2	21.8	9.50	8.35	3.74	2.68
YZT36B21S	TM9E080B12MP11	17.5	CF/CM/CU36C	1	925	28.8	22.6	17.00	23.95	29.0	–	–	–	4.44	–
		17.5		2	1000	34.6	25.6	–	13.00	35.4	21.8	9.50	8.35	3.80	2.68
YZT36B21S	TM9E080B12MP11	17.5	CF/CM/CU42C	1	925	29.6	22.8	17.00	24.15	28.2	–	–	–	3.98	–
		17.5		2	1000	33.6	25.2	–	13.00	35.4	21.8	9.50	8.25	3.66	2.68

SYSTEM CAPACITY - With High Efficiency Motor Furnaces¹ (Continued)

UNIT MODEL	FURNACE		COIL MODEL ²	Stage	COOLING					HEATING					
	MODEL	WIDTH			RATED CFM	NET MBH		SEER	EER	NET MBH		HSPF IV	HSPF V	COP	
						TOTAL	SENS.			47°F OD	17°F OD			47°F OD	17°F OD
YZT36B21S	TM9E080B12MP11	17.5	CF/CM/CU48C	1	925	29.8	23.0	17.00	25.15	24.4	—	—	—	3.72	—
		17.5		2	1000	35.2	25.8	—	13.00	35.6	21.8	9.50	8.20	3.84	2.68
YZT36B21S	TM9E080B12MP11	17.5	CF/CM/CU60C	1	925	30.0	23.2	17.00	25.20	24.2	—	—	—	4.02	—
		17.5		2	1000	35.6	26.0	—	13.00	35.2	22.4	9.50	8.70	4.06	2.82
YZT36B21S	TM9E080B12MP11	17.5	CF42B	1	900	28.6	22.2	17.00	23.30	28.2	—	—	—	4.02	—
		17.5		2	975	33.4	24.8	—	13.00	35.2	21.8	9.50	8.25	3.68	2.68
YZT36B21S	TM9E100C16MP11	21.0	CF/CM/CU36C	1	1025	29.0	24.0	17.00	24.05	29.0	—	—	—	4.46	—
		21.0		2	1275	34.4	28.6	—	13.00	35.6	21.8	9.50	8.30	3.60	2.68
YZT36B21S	TM9E100C16MP11	21.0	CF/CM/CU42C	1	1025	29.4	24.0	17.00	24.55	28.0	—	—	—	4.22	—
		21.0		2	1275	34.6	28.8	—	13.00	35.4	21.8	9.50	8.30	3.88	2.68
YZT36B21S	TM9E100C16MP11	21.0	CF/CM/CU48C	1	1025	30.4	24.6	18.00	25.55	24.4	—	—	—	3.72	—
		21.0		2	1275	35.6	29.2	—	13.00	35.8	21.8	9.60	8.15	3.88	2.68
YZT36B21S	TM9E100C16MP11	21.0	CF/CM/CU48D	1	1050	29.4	24.4	18.00	24.85	24.2	—	—	—	3.94	—
		21.0		2	1300	36.0	29.8	—	13.00	35.6	21.8	9.60	8.25	4.06	2.68
YZT36B21S	TM9E100C16MP11	21.0	CF/CM/CU60C	1	1025	30.4	24.4	18.00	25.65	24.2	—	—	—	3.94	—
		21.0		2	1275	36.0	29.4	—	14.00	35.6	22.4	10.00	8.65	4.06	2.82
YZT36B21S	TM9E100C16MP11	21.0	CF/CM/CU60D	1	1050	30.4	24.8	18.00	25.70	24.2	—	—	—	4.10	—
		21.0		2	1300	35.6	29.6	—	13.00	35.2	22.4	10.00	8.70	4.24	2.82
YZT36B21S	TM9E120D20MP11	24.5	CF/CM/CU42D	1	1000	29.6	23.8	18.00	25.40	27.8	—	—	—	4.30	—
		24.5		2	1250	34.6	28.6	—	13.00	35.2	21.8	9.60	8.35	3.96	2.68
YZT36B21S	TM9E120D20MP11	24.5	CF/CM/CU48D	1	1000	30.4	24.4	18.00	26.45	24.4	—	—	—	3.80	—
		24.5		2	1250	36.0	29.0	—	14.00	35.6	21.8	9.50	8.20	3.92	2.68
YZT36B21S	TM9E120D20MP11	24.5	CF/CM/CU60D	1	1000	30.2	24.2	18.00	26.45	24.0	—	—	—	4.14	—
		24.5		2	1250	36.0	29.2	—	14.00	35.0	22.4	10.00	8.75	4.32	2.82
YZT36B21S	TM9V060B12MP12C	17.5	CF/CM/CU36B	1	650	27.0	18.6	17.00	23.95	28.8	—	—	—	3.98	—
		17.5		2	1000	34.4	25.4	—	13.00	35.6	21.8	9.00	8.25	3.72	2.68
YZT36B21S	TM9V060B12MP12C	17.5	CF/CM/CU36C	1	650	27.0	18.6	17.00	24.15	28.6	—	—	—	4.00	—
		17.5		2	1000	34.4	25.4	—	13.00	35.4	21.8	9.00	8.25	3.76	2.68
YZT36B21S	TM9V060B12MP12C	17.5	CF/CM/CU42C	1	650	28.0	19.0	17.00	24.45	28.6	—	—	—	3.40	—
		17.5		2	1000	33.4	25.0	—	13.00	35.4	21.8	9.00	8.10	3.62	2.68
YZT36B21S	TM9V060B12MP12C	17.5	CF/CM/CU48C	1	650	28.2	19.1	17.00	25.45	24.4	—	—	—	3.22	—
		17.5		2	1000	35.0	25.8	—	13.00	35.8	21.8	9.00	8.05	3.80	2.68
YZT36B21S	TM9V060B12MP12C	17.5	CF/CM/CU60C	1	750	29.2	20.6	17.00	25.70	24.2	—	—	—	3.66	—
		17.5		2	1225	35.4	28.4	—	13.00	35.8	22.4	9.50	8.55	3.96	2.82
YZT36B21S	TM9V060B12MP12C	17.5	CF42B	1	650	28.0	19.0	17.00	24.20	28.6	—	—	—	3.38	—
		17.5		2	1000	33.4	25.0	—	13.00	35.6	21.8	9.00	8.10	3.60	2.68

SYSTEM CAPACITY - With High Efficiency Motor Furnaces¹ (Continued)

UNIT MODEL	FURNACE		COIL MODEL ²	Stage	COOLING					HEATING					
	MODEL	WIDTH			RATED CFM	NET MBH		SEER	EER	NET MBH		HSPF IV	HSPF V	COP	
						TOTAL	SENS.			47°F OD	17°F OD			47°F OD	17°F OD
YZT36B21S	TM9V080B12MP12C	17.5	CF/CM/CU36B	1	675	27.4	19.1	17.00	24.30	28.6	–	–	–	4.02	–
		17.5		2	975	34.2	25.2	–	13.00	35.2	21.8	9.50	8.25	3.74	2.68
YZT36B21S	TM9V080B12MP12C	17.5	CF/CM/CU42C	1	675	28.2	19.3	17.00	24.90	28.6	–	–	–	3.30	–
		17.5		2	950	33.8	24.8	–	13.00	35.6	21.8	9.00	8.05	3.54	2.68
YZT36B21S	TM9V080B12MP12C	17.5	CF/CM/CU48C	1	650	28.2	19.1	17.00	25.55	24.4	–	–	–	3.24	–
		17.5		2	950	34.8	25.2	–	13.00	35.8	21.8	9.00	8.05	3.80	2.68
YZT36B21S	TM9V080B12MP12C	17.5	CF/CM/CU60C	1	825	29.4	21.8	18.00	25.90	24.0	–	–	–	3.90	–
		17.5		2	1250	35.4	28.8	–	13.00	35.4	22.4	9.50	8.65	4.14	2.82
YZT36B21S	TM9V080B12MP12C	17.5	CF42B	1	675	27.4	19.0	17.00	24.50	28.4	–	–	–	3.50	–
		17.5		2	975	33.2	24.8	–	13.00	35.2	21.8	9.00	8.15	3.68	2.68
YZT36B21S	TM9V080C16MP12C	21.0	CF/CM/CU36C	1	675	26.8	18.8	17.00	23.95	28.6	–	–	–	3.92	–
		21.0		2	1025	33.8	25.6	–	13.00	35.2	21.8	9.50	8.25	3.70	2.68
YZT36B21S	TM9V080C16MP12C	21.0	CF/CM/CU42C	1	625	27.8	18.7	17.00	24.40	28.6	–	–	–	3.28	–
		21.0		2	950	33.8	24.8	–	13.00	35.4	21.8	9.00	8.05	3.56	2.68
YZT36B21S	TM9V080C16MP12C	21.0	CF/CM/CU42D	1	625	27.8	18.7	17.00	24.40	28.6	–	–	–	3.28	–
		21.0		2	950	33.8	24.8	–	13.00	35.4	21.8	9.00	8.05	3.56	2.68
YZT36B21S	TM9V080C16MP12C	21.0	CF/CM/CU48C	1	700	28.6	20.0	18.00	25.85	24.4	–	–	–	3.40	–
		21.0		2	1025	35.2	26.2	–	14.00	35.6	21.8	9.50	8.10	3.88	2.68
YZT36B21S	TM9V080C16MP12C	21.0	CF/CM/CU48D	1	700	28.6	20.0	18.00	25.85	24.4	–	–	–	3.40	–
		21.0		2	1025	35.2	26.2	–	14.00	35.6	21.8	9.50	8.10	3.88	2.68
YZT36B21S	TM9V080C16MP12C	21.0	CF/CM/CU60C	1	800	29.6	21.4	18.00	26.25	24.2	–	–	–	3.78	–
		21.0		2	1225	35.8	28.8	–	13.00	35.4	22.4	10.00	8.60	4.10	2.82
YZT36B21S	TM9V080C16MP12C	21.0	CF/CM/CU60D	1	800	29.6	21.4	18.00	26.35	24.0	–	–	–	3.78	–
		21.0		2	1225	35.8	28.8	–	14.00	35.4	22.4	10.00	8.60	4.12	2.82
YZT36B21S	TM9V100C16MP12C	21.0	CF/CM/CU36C	1	700	27.6	19.4	17.00	24.80	28.6	–	–	–	4.16	–
		21.0		2	1000	34.8	25.8	–	13.00	35.2	21.8	9.50	8.30	3.84	2.68
YZT36B21S	TM9V100C16MP12C	21.0	CF/CM/CU42C	1	700	27.8	19.4	17.00	25.20	28.4	–	–	–	3.58	–
		21.0		2	1000	33.8	25.4	–	13.00	35.2	21.8	9.00	8.15	3.72	2.68
YZT36B21S	TM9V100C16MP12C	21.0	CF/CM/CU42D	1	700	28.0	19.6	17.00	25.25	28.2	–	–	–	3.70	–
		21.0		2	975	33.6	25.0	–	13.00	35.0	21.8	9.50	8.20	3.74	2.68
YZT36B21S	TM9V100C16MP12C	21.0	CF/CM/CU48C	1	700	28.6	19.9	18.00	26.00	24.4	–	–	–	3.42	–
		21.0		2	975	35.0	25.6	–	14.00	35.4	21.8	9.50	8.10	3.88	2.68
YZT36B21S	TM9V100C16MP12C	21.0	CF/CM/CU48D	1	700	28.6	19.9	18.00	26.00	24.4	–	–	–	3.42	–
		21.0		2	975	35.0	25.6	–	14.00	35.4	21.8	9.50	8.10	3.90	2.68
YZT36B21S	TM9V100C16MP12C	21.0	CF/CM/CU60C	1	800	30.0	21.6	18.00	26.75	24.6	–	–	–	3.14	–
		21.0		2	1175	36.0	28.4	–	14.00	36.0	22.4	9.50	8.30	3.62	2.82

SYSTEM CAPACITY - With High Efficiency Motor Furnaces¹ (Continued)

UNIT MODEL	FURNACE		COIL MODEL ²	Stage	COOLING					HEATING					
	MODEL	WIDTH			RATED CFM	NET MBH		SEER	EER	NET MBH		HSPF IV	HSPF V	COP	
						TOTAL	SENS.			47°F OD	17°F OD			47°F OD	17°F OD
YZT36B21S	TM9V100C16MP12C	21.0	CF/CM/CU60D	1	800	30.0	21.6	19.00	26.90	24.6	–	–	–	3.16	–
		21.0		2	1175	36.0	28.2	–	14.00	36.0	22.4	9.50	8.30	3.64	2.82
YZT36B21S	TM9V100C20MP12C	21.0	CF/CM/CU36C	1	650	27.2	18.7	17.00	24.70	28.8	–	–	–	3.90	–
		21.0		2	1100	34.2	26.6	–	13.00	35.2	21.8	9.50	8.25	3.74	2.68
YZT36B21S	TM9V100C20MP12C	21.0	CF/CM/CU42C	1	650	28.2	19.1	18.00	25.05	29.0	–	–	–	3.02	–
		21.0		2	1100	34.2	26.6	–	13.00	35.8	21.8	9.00	7.95	3.42	2.68
YZT36B21S	TM9V100C20MP12C	21.0	CF/CM/CU42D	1	650	28.2	19.1	18.00	25.05	29.0	–	–	–	3.02	–
		21.0		2	1100	34.2	26.6	–	13.00	35.8	21.8	9.00	7.95	3.44	2.68
YZT36B21S	TM9V100C20MP12C	21.0	CF/CM/CU48C	1	650	28.2	19.1	18.00	25.95	24.4	–	–	–	3.14	–
		21.0		2	1100	34.6	26.8	–	13.00	35.6	21.8	9.00	8.00	3.88	2.68
YZT36B21S	TM9V100C20MP12C	21.0	CF/CM/CU48D	1	650	28.2	19.1	18.00	25.95	24.4	–	–	–	3.14	–
		21.0		2	1100	34.6	26.8	–	13.00	35.6	21.8	9.00	8.00	3.88	2.68
YZT36B21S	TM9V100C20MP12C	21.0	CF/CM/CU60C	1	800	29.8	21.6	19.00	26.80	24.2	–	–	–	3.72	–
		21.0		2	1275	36.0	29.4	–	14.00	35.4	22.4	10.00	8.55	4.08	2.82
YZT36B21S	TM9V100C20MP12C	21.0	CF/CM/CU60D	1	800	29.8	21.6	19.00	26.90	24.2	–	–	–	3.72	–
		21.0		2	1275	36.0	29.4	–	14.00	35.4	22.4	10.00	8.60	4.10	2.82
YZT36B21S	TM9V120D20MP12C	24.5	CF/CM/CU42D	1	700	28.6	19.8	18.00	25.75	28.8	–	–	–	3.24	–
		24.5		2	1050	34.0	26.0	–	13.00	35.6	21.8	9.00	8.05	3.56	2.68
YZT36B21S	TM9V120D20MP12C	24.5	CF/CM/CU48D	1	700	28.8	20.0	18.00	26.30	24.4	–	–	–	3.40	–
		24.5		2	1050	35.4	26.6	–	14.00	35.4	21.8	9.50	8.10	3.92	2.68
YZT36B21S	TM9V120D20MP12C	24.5	CF/CM/CU60D	1	800	30.0	21.6	19.00	27.20	24.4	–	–	–	3.48	–
		24.5		2	1200	36.0	28.6	–	14.00	35.8	22.4	9.60	8.45	3.94	2.82
YZT36B21S	TM9Y080B12MP11	17.5	CF/CM/CU36B	1	900	28.4	22.0	17.00	23.60	29.2	–	–	–	4.42	–
		17.5		2	975	34.2	25.2	–	13.00	35.2	21.8	9.50	8.35	3.74	2.68
YZT36B21S	TM9Y080B12MP11	17.5	CF/CM/CU36C	1	925	28.8	22.6	17.00	23.95	29.0	–	–	–	4.44	–
		17.5		2	1000	34.6	25.6	–	13.00	35.4	21.8	9.50	8.35	3.80	2.68
YZT36B21S	TM9Y080B12MP11	17.5	CF/CM/CU42C	1	925	29.6	22.8	17.00	24.15	28.2	–	–	–	3.98	–
		17.5		2	1000	33.6	25.2	–	13.00	35.4	21.8	9.50	8.25	3.66	2.68
YZT36B21S	TM9Y080B12MP11	17.5	CF/CM/CU48C	1	925	29.8	23.0	17.00	25.15	24.4	–	–	–	3.72	–
		17.5		2	1000	35.2	25.8	–	13.00	35.6	21.8	9.50	8.20	3.84	2.68
YZT36B21S	TM9Y080B12MP11	17.5	CF/CM/CU60C	1	925	30.0	23.2	17.00	25.20	24.2	–	–	–	4.02	–
		17.5		2	1000	35.6	26.0	–	13.00	35.2	22.4	9.50	8.70	4.06	2.82
YZT36B21S	TM9Y080B12MP11	17.5	CF42B	1	900	28.6	22.2	17.00	23.30	28.2	–	–	–	4.02	–
		17.5		2	975	33.4	24.8	–	13.00	35.2	21.8	9.50	8.25	3.68	2.68
YZT36B21S	TM9Y100C16MP11	21.0	CF/CM/CU36C	1	1025	29.0	24.0	17.00	24.05	29.0	–	–	–	4.46	–
		21.0		2	1275	34.4	28.6	–	13.00	35.6	21.8	9.50	8.30	3.60	2.68

SYSTEM CAPACITY - With High Efficiency Motor Furnaces¹ (Continued)

UNIT MODEL	FURNACE		COIL MODEL ²	Stage	COOLING					HEATING					
	MODEL	WIDTH			RATED CFM	NET MBH		SEER	EER	NET MBH		HSPF IV	HSPF V	COP	
						TOTAL	SENS.			47°F OD	17°F OD			47°F OD	17°F OD
YZT36B21S	TM9Y100C16MP11	21.0	CF/CM/CU42C	1	1025	29.4	24.0	17.00	24.55	28.0	–	–	–	4.22	–
		21.0		2	1275	34.6	28.8	–	13.00	35.4	21.8	9.50	8.30	3.88	2.68
YZT36B21S	TM9Y100C16MP11	21.0	CF/CM/CU48C	1	1025	30.4	24.6	18.00	25.55	24.4	–	–	–	3.72	–
		21.0		2	1275	35.6	29.2	–	13.00	35.8	21.8	9.60	8.15	3.88	2.68
YZT36B21S	TM9Y100C16MP11	21.0	CF/CM/CU48D	1	1050	29.4	24.4	18.00	24.85	24.2	–	–	–	3.94	–
		21.0		2	1300	36.0	29.8	–	13.00	35.6	21.8	9.60	8.25	4.06	2.68
YZT36B21S	TM9Y100C16MP11	21.0	CF/CM/CU60C	1	1025	30.4	24.4	18.00	25.65	24.2	–	–	–	3.94	–
		21.0		2	1275	36.0	29.4	–	14.00	35.6	22.4	10.00	8.65	4.06	2.82
YZT36B21S	TM9Y100C16MP11	21.0	CF/CM/CU60D	1	1050	30.4	24.8	18.00	25.70	24.2	–	–	–	4.10	–
		21.0		2	1300	35.6	29.6	–	13.00	35.2	22.4	10.00	8.70	4.24	2.82
YZT36B21S	TM9Y120D20MP11	24.5	CF/CM/CU42D	1	1000	29.6	23.8	18.00	25.40	27.8	–	–	–	4.30	–
		24.5		2	1250	34.6	28.6	–	13.00	35.2	21.8	9.60	8.35	3.96	2.68
YZT36B21S	TM9Y120D20MP11	24.5	CF/CM/CU48D	1	1000	30.4	24.4	18.00	26.45	24.4	–	–	–	3.80	–
		24.5		2	1250	36.0	29.0	–	14.00	35.6	21.8	9.50	8.20	3.92	2.68
YZT36B21S	TM9Y120D20MP11	24.5	CF/CM/CU60D	1	1000	30.2	24.2	18.00	26.45	24.0	–	–	–	4.14	–
		24.5		2	1250	36.0	29.2	–	14.00	35.0	22.4	10.00	8.75	4.32	2.82
YZT36B21S	TMLV060A12MP12C	14.5	CF/CM/CU36B	1	675	27.4	19.1	17.00	24.30	28.6	–	–	–	4.02	–
		14.5		2	975	34.0	25.0	–	13.00	35.2	21.8	9.50	8.25	3.74	2.68
YZT36B21S	TMLV060A12MP12C	14.5	CF42B	1	675	27.4	19.0	17.00	24.50	28.4	–	–	–	3.50	–
		14.5		2	975	33.2	24.8	–	13.00	35.2	21.8	9.25	8.15	3.68	2.68
YZT36B21S	TMLV080B12MP12C	17.5	CF/CM/CU36C	1	675	27.2	19.0	17.00	24.00	28.6	–	–	–	4.00	–
		17.5		2	1000	34.4	25.4	–	13.00	35.4	21.8	9.00	8.25	3.74	2.68
YZT36B21S	TMLV080B12MP12C	17.5	CF/CM/CU42C	1	675	27.6	19.1	17.00	24.45	28.6	–	–	–	3.42	–
		17.5		2	1000	33.4	25.0	–	13.00	35.4	21.8	9.00	8.10	3.62	2.68
YZT36B21S	TMLV080B12MP12C	17.5	CF/CM/CU48C	1	675	28.2	19.4	17.00	25.30	24.4	–	–	–	3.30	–
		17.5		2	1000	35.0	25.8	–	13.00	35.8	21.8	9.00	8.05	3.80	2.68
YZT36B21S	TMLV080B12MP12C	17.5	CF/CM/CU60C	1	800	29.8	21.6	18.00	25.80	24.6	–	–	–	3.42	–
		17.5		2	1200	35.2	28.0	–	13.00	36.0	22.4	9.60	8.40	3.72	2.82
YZT36B21S	TMLV080C16MP12C	21.0	CF/CM/CU36C	1	700	27.4	19.4	17.00	24.65	28.4	–	–	–	4.46	–
		21.0		2	1050	34.6	26.2	–	13.00	34.8	21.8	9.50	8.40	4.08	2.68
YZT36B21S	TMLV080C16MP12C	21.0	CF/CM/CU42C	1	650	27.6	18.8	17.00	24.45	28.6	–	–	–	3.30	–
		21.0		2	950	33.8	24.8	–	13.00	35.4	21.8	9.00	8.05	3.58	2.68
YZT36B21S	TMLV080C16MP12C	21.0	CF/CM/CU42D	1	700	28.6	19.8	17.00	25.65	28.8	–	–	–	3.24	–
		21.0		2	1050	34.0	26.0	–	13.00	35.6	21.8	9.00	8.05	3.54	2.68
YZT36B21S	TMLV080C16MP12C	21.0	CF/CM/CU48C	1	650	28.2	19.1	18.00	25.80	24.4	–	–	–	3.24	–
		21.0		2	950	34.8	25.2	–	14.00	35.6	21.8	9.00	8.05	3.82	2.68

SYSTEM CAPACITY - With High Efficiency Motor Furnaces¹ (Continued)

UNIT MODEL	FURNACE		COIL MODEL ²	Stage	COOLING					HEATING					
	MODEL	WIDTH			RATED CFM	NET MBH		SEER	EER	NET MBH		HSPF IV	HSPF V	COP	
						TOTAL	SENS.			47°F OD	17°F OD			47°F OD	17°F OD
YZT36B21S	TMLV080C16MP12C	21.0	CF/CM/CU48D	1	700	28.8	20.0	18.00	26.15	24.4	—	—	—	3.40	—
		21.0		2	1050	35.4	26.6	—	14.00	35.6	21.8	9.50	8.10	3.88	2.68
YZT36B21S	TMLV080C16MP12C	21.0	CF/CM/CU60C	1	800	29.6	21.4	18.00	26.50	24.0	—	—	—	3.80	—
		21.0		2	1150	35.6	28.0	—	14.00	35.2	22.4	10.00	8.60	4.16	2.82
YZT36B21S	TMLV080C16MP12C	21.0	CF/CM/CU60D	1	800	29.6	21.4	18.00	26.60	24.0	—	—	—	3.80	—
		21.0		2	1150	35.8	28.0	—	14.00	35.2	22.4	10.00	8.65	4.18	2.82
YZT36B21S	TMLV100C16MP12C	21.0	CF/CM/CU36C	1	700	27.4	19.4	17.00	24.65	28.4	—	—	—	4.46	—
		21.0		2	1050	34.6	26.2	—	13.00	34.8	21.8	9.50	8.40	4.08	2.68
YZT36B21S	TMLV100C16MP12C	21.0	CF/CM/CU42C	1	650	27.6	18.8	17.00	24.45	28.6	—	—	—	3.30	—
		21.0		2	950	33.8	24.8	—	13.00	35.4	21.8	9.00	8.05	3.58	2.68
YZT36B21S	TMLV100C16MP12C	21.0	CF/CM/CU42D	1	700	28.6	19.8	17.00	25.65	28.8	—	—	—	3.24	—
		21.0		2	1050	34.0	26.0	—	13.00	35.6	21.8	9.00	8.05	3.54	2.68
YZT36B21S	TMLV100C16MP12C	21.0	CF/CM/CU48C	1	650	28.2	19.1	18.00	25.80	24.4	—	—	—	3.24	—
		21.0		2	950	34.8	25.2	—	14.00	35.6	21.8	9.00	8.05	3.82	2.68
YZT36B21S	TMLV100C16MP12C	21.0	CF/CM/CU48D	1	700	28.8	20.0	18.00	26.15	24.4	—	—	—	3.40	—
		21.0		2	1050	35.4	26.6	—	14.00	35.6	21.8	9.50	8.10	3.88	2.68
YZT36B21S	TMLV100C16MP12C	21.0	CF/CM/CU60C	1	800	29.6	21.4	18.00	26.50	24.0	—	—	—	3.80	—
		21.0		2	1150	35.6	28.0	—	14.00	35.2	22.4	10.00	8.60	4.16	2.82
YZT36B21S	TMLV100C16MP12C	21.0	CF/CM/CU60D	1	800	29.6	21.4	18.00	26.60	24.0	—	—	—	3.80	—
		21.0		2	1150	35.8	28.0	—	14.00	35.2	22.4	10.00	8.65	4.18	2.82
YZT36B21S	TMLV100C20MP12C	21.0	CF/CM/CU36C	1	800	28.0	20.8	17.00	25.10	28.6	—	—	—	4.72	—
		21.0		2	1150	35.0	27.6	—	13.00	35.0	21.8	9.50	8.45	4.20	2.68
YZT36B21S	TMLV100C20MP12C	21.0	CF/CM/CU42C	1	800	28.8	21.2	18.00	25.65	28.2	—	—	—	3.76	—
		21.0		2	1150	34.4	27.4	—	13.00	35.4	21.8	9.50	8.20	3.86	2.68
YZT36B21S	TMLV100C20MP12C	21.0	CF/CM/CU42D	1	800	28.8	21.2	18.00	25.70	28.2	—	—	—	3.76	—
		21.0		2	1150	34.4	27.4	—	13.00	35.4	21.8	9.50	8.20	3.88	2.68
YZT36B21S	TMLV100C20MP12C	21.0	CF/CM/CU48C	1	800	29.4	21.4	18.00	26.65	24.2	—	—	—	3.54	—
		21.0		2	1150	35.8	27.8	—	14.00	35.6	21.8	9.00	8.15	3.94	2.68
YZT36B21S	TMLV100C20MP12C	21.0	CF/CM/CU48D	1	800	29.4	21.4	18.00	26.70	24.2	—	—	—	3.56	—
		21.0		2	1150	35.8	27.8	—	14.00	35.6	21.8	9.50	8.15	3.94	2.68
YZT36B21S	TMLV100C20MP12C	21.0	CF/CM/CU60C	1	800	29.6	21.4	18.00	26.85	24.0	—	—	—	3.82	—
		21.0		2	1150	35.8	28.0	—	14.00	35.0	22.4	10.00	8.65	4.20	2.82
YZT36B21S	TMLV100C20MP12C	21.0	CF/CM/CU60D	1	800	29.6	21.6	18.00	26.90	24.0	—	—	—	3.82	—
		21.0		2	1150	35.8	28.2	—	14.00	35.0	22.4	10.00	8.65	4.22	2.82
YZT36B21S	TMLV120C20MP12C	21.0	CF/CM/CU36C	1	800	28.0	20.8	17.00	25.10	28.6	—	—	—	4.72	—
		21.0		2	1150	35.0	27.6	—	13.00	35.0	21.8	9.50	8.45	4.20	2.68

SYSTEM CAPACITY - With High Efficiency Motor Furnaces¹ (Continued)

UNIT MODEL	FURNACE		COIL MODEL ²	Stage	COOLING					HEATING					
	MODEL	WIDTH			RATED CFM	NET MBH		SEER	EER	NET MBH		HSPF IV	HSPF V	COP	
						TOTAL	SENS.			47°F OD	17°F OD			47°F OD	17°F OD
YZT36B21S	TMLV120C20MP12C	21.0	CF/CM/CU42C	1	800	28.8	21.2	18.00	25.65	28.2	–	–	–	3.76	–
		21.0		2	1150	34.4	27.4	–	13.00	35.4	21.8	9.50	8.20	3.86	2.68
YZT36B21S	TMLV120C20MP12C	21.0	CF/CM/CU42D	1	800	28.8	21.2	18.00	25.70	28.2	–	–	–	3.76	–
		21.0		2	1150	34.4	27.4	–	13.00	35.4	21.8	9.50	8.20	3.88	2.68
YZT36B21S	TMLV120C20MP12C	21.0	CF/CM/CU48C	1	800	29.4	21.4	18.00	26.65	24.2	–	–	–	3.54	–
		21.0		2	1150	35.8	27.8	–	14.00	35.6	21.8	9.00	8.15	3.94	2.68
YZT36B21S	TMLV120C20MP12C	21.0	CF/CM/CU48D	1	800	29.4	21.4	18.00	26.70	24.2	–	–	–	3.56	–
		21.0		2	1150	35.8	27.8	–	14.00	35.6	21.8	9.50	8.15	3.94	2.68
YZT36B21S	TMLV120C20MP12C	21.0	CF/CM/CU60C	1	800	29.6	21.4	18.00	26.85	24.0	–	–	–	3.82	–
		21.0		2	1150	35.8	28.0	–	14.00	35.0	22.4	10.00	8.65	4.20	2.82
YZT36B21S	TMLV120C20MP12C	21.0	CF/CM/CU60D	1	800	29.6	21.6	18.00	26.90	24.0	–	–	–	3.82	–
		21.0		2	1150	35.8	28.2	–	14.00	35.0	22.4	10.00	8.65	4.22	2.82
YZT36B21S	TMLX060A12MP11	14.5	CF/CM/CU36B	1	950	28.6	22.8	16.00	23.15	29.0	–	–	–	4.38	–
		14.5		2	1125	34.8	27.0	–	13.00	35.6	21.8	9.00	8.30	3.68	2.68
YZT36B21S	TMLX060A12MP11	14.5	CF/CM36A	1	925	28.4	22.4	16.00	22.80	29.2	–	–	–	4.38	–
		14.5		2	1075	34.6	26.2	–	13.00	35.6	21.8	9.00	8.30	3.66	2.68
YZT36B21S	TMLX060A12MP11	14.5	CF42B	1	950	30.0	23.4	17.00	23.65	29.2	–	–	–	3.26	–
		14.5		2	1125	34.4	27.0	–	13.00	36.0	21.8	8.75	8.00	3.30	2.68
YZT36B21S	TMLX080B12MP11	17.5	CF/CM/CU36B	1	1000	28.8	23.6	16.00	23.25	29.0	–	–	–	4.40	–
		17.5		2	1175	34.2	27.4	–	13.00	35.6	21.8	9.00	8.30	3.68	2.68
YZT36B21S	TMLX080B12MP11	17.5	CF/CM/CU36C	1	1025	28.8	23.8	16.00	23.55	28.8	–	–	–	4.68	–
		17.5		2	1200	35.2	28.0	–	13.00	35.6	21.8	9.00	8.35	3.86	2.68
YZT36B21S	TMLX080B12MP11	17.5	CF/CM/CU42C	1	1025	29.4	24.0	17.00	24.00	28.6	–	–	–	3.84	–
		17.5		2	1200	34.2	27.8	–	13.00	36.0	21.8	9.00	8.15	3.56	2.68
YZT36B21S	TMLX080B12MP11	17.5	CF/CM/CU48C	1	1025	30.0	24.4	17.00	24.75	24.6	–	–	–	3.64	–
		17.5		2	1200	36.0	28.4	–	13.00	36.0	21.8	9.00	8.10	3.74	2.68
YZT36B21S	TMLX080B12MP11	17.5	CF/CM/CU60C	1	1025	30.8	24.6	18.00	25.25	24.6	–	–	–	3.68	–
		17.5		2	1200	35.6	28.4	–	13.00	36.0	22.4	9.60	8.50	3.82	2.82
YZT36B21S	TMLX080B12MP11	17.5	CF42B	1	1000	29.8	23.8	17.00	23.85	28.2	–	–	–	4.10	–
		17.5		2	1150	34.0	27.0	–	13.00	35.8	21.8	9.00	8.25	3.74	2.68
YZT36B21S	TMLX080C16MP11	21.0	CF/CM/CU36C	1	1000	28.0	23.2	17.00	23.70	28.6	–	–	–	5.06	–
		21.0		2	1150	35.0	27.4	–	13.00	35.0	21.8	9.50	8.45	4.16	2.68
YZT36B21S	TMLX080C16MP11	21.0	CF/CM/CU42C	1	1000	30.0	24.0	17.00	25.05	28.0	–	–	–	4.18	–
		21.0		2	1150	34.4	27.4	–	13.00	35.4	21.8	9.50	8.30	3.84	2.68
YZT36B21S	TMLX080C16MP11	21.0	CF/CM/CU42D	1	1000	30.2	24.2	17.00	25.15	28.8	–	–	–	3.54	–
		21.0		2	1175	35.0	27.8	–	13.00	35.8	21.8	9.00	8.10	3.38	2.68

SYSTEM CAPACITY - With High Efficiency Motor Furnaces¹ (Continued)

UNIT MODEL	FURNACE		COIL MODEL ²	Stage	COOLING					HEATING					
	MODEL	WIDTH			RATED CFM	NET MBH		SEER	EER	NET MBH		HSPF IV	HSPF V	COP	
						TOTAL	SENS.			47°F OD	17°F OD			47°F OD	17°F OD
YZT36B21S	TMLX080C16MP11	21.0	CF/CM/CU48C	1	1000	30.0	24.2	18.00	25.65	24.4	—	—	—	3.84	—
		21.0		2	1150	35.8	28.0	—	14.00	35.6	21.8	9.60	8.20	3.90	2.68
YZT36B21S	TMLX080C16MP11	21.0	CF/CM/CU48D	1	1000	30.0	24.2	18.00	25.70	24.4	—	—	—	3.84	—
		21.0		2	1150	35.8	28.0	—	14.00	35.6	21.8	9.60	8.20	3.90	2.68
YZT36B21S	TMLX080C16MP11	21.0	CF/CM/CU60C	1	1000	30.4	24.2	18.00	25.95	24.2	—	—	—	4.02	—
		21.0		2	1150	35.8	28.0	—	14.00	35.2	22.4	10.00	8.70	4.16	2.82
YZT36B21S	TMLX080C16MP11	21.0	CF/CM/CU60D	1	1000	31.4	24.6	19.00	26.80	24.6	—	—	—	3.34	—
		21.0		2	1175	36.0	28.2	—	14.00	36.0	22.4	9.60	8.40	3.64	2.82
YZT36B21S	TMLX100C16MP11	21.0	CF/CM/CU36C	1	1000	28.0	23.2	17.00	23.70	28.6	—	—	—	5.06	—
		21.0		2	1150	35.0	27.4	—	13.00	35.0	21.8	9.50	8.45	4.16	2.68
YZT36B21S	TMLX100C16MP11	21.0	CF/CM/CU42C	1	1000	30.0	24.0	17.00	25.05	28.0	—	—	—	4.18	—
		21.0		2	1150	34.4	27.4	—	13.00	35.4	21.8	9.50	8.30	3.84	2.68
YZT36B21S	TMLX100C16MP11	21.0	CF/CM/CU42D	1	1000	30.2	24.2	17.00	25.15	28.8	—	—	—	3.54	—
		21.0		2	1175	35.0	27.8	—	13.00	35.8	21.8	9.00	8.10	3.38	2.68
YZT36B21S	TMLX100C16MP11	21.0	CF/CM/CU48C	1	1000	30.0	24.2	18.00	25.65	24.4	—	—	—	3.84	—
		21.0		2	1150	35.8	28.0	—	14.00	35.6	21.8	9.60	8.20	3.90	2.68
YZT36B21S	TMLX100C16MP11	21.0	CF/CM/CU48D	1	1000	30.0	24.2	18.00	25.70	24.4	—	—	—	3.84	—
		21.0		2	1150	35.8	28.0	—	14.00	35.6	21.8	9.60	8.20	3.90	2.68
YZT36B21S	TMLX100C16MP11	21.0	CF/CM/CU60C	1	1000	30.4	24.2	18.00	25.95	24.2	—	—	—	4.02	—
		21.0		2	1150	35.8	28.0	—	14.00	35.2	22.4	10.00	8.70	4.16	2.82
YZT36B21S	TMLX100C16MP11	21.0	CF/CM/CU60D	1	1000	31.4	24.6	19.00	26.80	24.6	—	—	—	3.34	—
		21.0		2	1175	36.0	28.2	—	14.00	36.0	22.4	9.60	8.40	3.64	2.82
YZT36B21S	TMLX100C20MP11	21.0	CF/CM/CU36C	1	1025	29.0	24.0	17.00	24.60	28.8	—	—	—	4.50	—
		21.0		2	1225	34.8	28.4	—	13.00	35.4	21.8	9.50	8.35	3.80	2.68
YZT36B21S	TMLX100C20MP11	21.0	CF/CM/CU42C	1	1025	29.8	24.2	18.00	25.35	28.0	—	—	—	4.24	—
		21.0		2	1225	34.6	28.2	—	13.00	35.4	21.8	9.60	8.30	3.94	2.68
YZT36B21S	TMLX100C20MP11	21.0	CF/CM/CU42D	1	1050	29.8	24.6	18.00	25.50	27.8	—	—	—	4.36	—
		21.0		2	1250	34.6	28.6	—	13.00	35.0	21.8	9.60	8.35	3.98	2.68
YZT36B21S	TMLX100C20MP11	21.0	CF/CM/CU48C	1	1050	30.4	25.0	18.00	26.05	24.4	—	—	—	3.80	—
		21.0		2	1225	36.0	28.8	—	14.00	35.8	21.8	9.50	8.20	3.88	2.68
YZT36B21S	TMLX100C20MP11	21.0	CF/CM/CU48D	1	1050	30.4	25.0	18.00	26.10	24.4	—	—	—	3.82	—
		21.0		2	1250	36.0	29.0	—	14.00	35.6	21.8	9.50	8.20	3.94	2.68
YZT36B21S	TMLX100C20MP11	21.0	CF/CM/CU60C	1	1025	30.6	24.6	18.00	26.30	24.2	—	—	—	4.10	—
		21.0		2	1225	36.0	29.0	—	14.00	35.0	22.4	10.00	8.70	4.20	2.82
YZT36B21S	TMLX100C20MP11	21.0	CF/CM/CU60D	1	1050	30.6	24.8	18.00	26.40	24.0	—	—	—	4.16	—
		21.0		2	1250	36.0	29.2	—	14.00	34.8	22.4	10.00	8.75	4.34	2.82

SYSTEM CAPACITY - With High Efficiency Motor Furnaces¹ (Continued)

UNIT MODEL	FURNACE		COIL MODEL ²	Stage	COOLING					HEATING					
	MODEL	WIDTH			RATED CFM	NET MBH		SEER	EER	NET MBH		HSPF IV	HSPF V	COP	
						TOTAL	SENS.			47°F OD	17°F OD			47°F OD	17°F OD
YZT36B21S	TMLX120C20MP11	21.0	CF/CM/CU36C	1	1025	29.0	24.0	17.00	24.60	28.8	–	–	–	4.50	–
		21.0		2	1225	34.8	28.4	–	13.00	35.4	21.8	9.50	8.35	3.80	2.68
YZT36B21S	TMLX120C20MP11	21.0	CF/CM/CU42C	1	1025	29.8	24.2	18.00	25.35	28.0	–	–	–	4.24	–
		21.0		2	1225	34.6	28.2	–	13.00	35.4	21.8	9.60	8.30	3.94	2.68
YZT36B21S	TMLX120C20MP11	21.0	CF/CM/CU42D	1	1050	29.8	24.6	18.00	25.50	27.8	–	–	–	4.36	–
		21.0		2	1250	34.6	28.6	–	13.00	35.0	21.8	9.60	8.35	3.98	2.68
YZT36B21S	TMLX120C20MP11	21.0	CF/CM/CU48C	1	1050	30.4	25.0	18.00	26.05	24.4	–	–	–	3.80	–
		21.0		2	1225	36.0	28.8	–	14.00	35.8	21.8	9.50	8.20	3.88	2.68
YZT36B21S	TMLX120C20MP11	21.0	CF/CM/CU48D	1	1050	30.4	25.0	18.00	26.10	24.4	–	–	–	3.82	–
		21.0		2	1250	36.0	29.0	–	14.00	35.6	21.8	9.50	8.20	3.94	2.68
YZT36B21S	TMLX120C20MP11	21.0	CF/CM/CU60C	1	1025	30.6	24.6	18.00	26.30	24.2	–	–	–	4.10	–
		21.0		2	1225	36.0	29.0	–	14.00	35.0	22.4	10.00	8.70	4.20	2.82
YZT36B21S	TMLX120C20MP11	21.0	CF/CM/CU60D	1	1050	30.6	24.8	18.00	26.40	24.0	–	–	–	4.16	–
		21.0		2	1250	36.0	29.2	–	14.00	34.8	22.4	10.00	8.75	4.34	2.82
YZT36B21S	TP9C060B12MP13C	17.5	CF/CM/CU36B	1	650	27.0	18.6	17.00	23.95	28.8	–	–	–	3.98	–
		17.5		2	1000	34.4	25.4	–	13.00	35.6	21.8	9.00	8.25	3.72	2.68
YZT36B21S	TP9C060B12MP13C	17.5	CF/CM/CU36C	1	650	27.0	18.6	17.00	24.15	28.6	–	–	–	4.00	–
		17.5		2	1000	34.4	25.4	–	13.00	35.4	21.8	9.00	8.25	3.76	2.68
YZT36B21S	TP9C060B12MP13C	17.5	CF/CM/CU42C	1	650	28.0	19.0	17.00	24.45	28.6	–	–	–	3.40	–
		17.5		2	1000	33.4	25.0	–	13.00	35.4	21.8	9.00	8.10	3.62	2.68
YZT36B21S	TP9C060B12MP13C	17.5	CF/CM/CU48C	1	650	28.2	19.1	17.00	25.45	24.4	–	–	–	3.22	–
		17.5		2	1000	35.0	25.8	–	13.00	35.8	21.8	9.00	8.05	3.80	2.68
YZT36B21S	TP9C060B12MP13C	17.5	CF/CM/CU60C	1	750	29.2	20.6	17.00	25.70	24.2	–	–	–	3.66	–
		17.5		2	1225	35.4	28.4	–	13.00	35.8	22.4	9.50	8.55	3.96	2.82
YZT36B21S	TP9C060B12MP13C	17.5	CF42B	1	650	28.0	19.0	17.00	24.20	28.6	–	–	–	3.38	–
		17.5		2	1000	33.4	25.0	–	13.00	35.6	21.8	9.00	8.10	3.60	2.68
YZT36B21S	TP9C080B12MP13C	17.5	CF/CM/CU36B	1	675	27.4	19.1	17.00	24.30	28.6	–	–	–	4.02	–
		17.5		2	975	34.2	25.2	–	13.00	35.2	21.8	9.50	8.25	3.74	2.68
YZT36B21S	TP9C080B12MP13C	17.5	CF/CM/CU42C	1	675	28.2	19.3	17.00	24.90	28.6	–	–	–	3.30	–
		17.5		2	950	33.8	24.8	–	13.00	35.6	21.8	9.00	8.05	3.54	2.68
YZT36B21S	TP9C080B12MP13C	17.5	CF/CM/CU48C	1	650	28.2	19.1	17.00	25.55	24.4	–	–	–	3.24	–
		17.5		2	950	34.8	25.2	–	13.00	35.8	21.8	9.00	8.05	3.80	2.68
YZT36B21S	TP9C080B12MP13C	17.5	CF/CM/CU60C	1	825	29.4	21.8	18.00	25.90	24.0	–	–	–	3.90	–
		17.5		2	1250	35.4	28.8	–	13.00	35.4	22.4	9.50	8.65	4.14	2.82
YZT36B21S	TP9C080B12MP13C	17.5	CF42B	1	675	27.4	19.0	17.00	24.50	28.4	–	–	–	3.50	–
		17.5		2	975	33.2	24.8	–	13.00	35.2	21.8	9.00	8.15	3.68	2.68

SYSTEM CAPACITY - With High Efficiency Motor Furnaces¹ (Continued)

UNIT MODEL	FURNACE		COIL MODEL ²	Stage	COOLING					HEATING					
	MODEL	WIDTH			RATED CFM	NET MBH		SEER	EER	NET MBH		HSPF IV	HSPF V	COP	
						TOTAL	SENS.			47°F OD	17°F OD			47°F OD	17°F OD
YZT36B21S	TP9C080C16MP13C	21.0	CF/CM/CU36C	1	675	26.8	18.8	17.00	23.95	28.6	—	—	—	3.92	—
		21.0		2	1025	33.8	25.6	—	13.00	35.2	21.8	9.50	8.25	3.70	2.68
YZT36B21S	TP9C080C16MP13C	21.0	CF/CM/CU42C	1	625	27.8	18.7	17.00	24.40	28.6	—	—	—	3.28	—
		21.0		2	950	33.8	24.8	—	13.00	35.4	21.8	9.00	8.05	3.56	2.68
YZT36B21S	TP9C080C16MP13C	21.0	CF/CM/CU42D	1	625	27.8	18.7	17.00	24.40	28.6	—	—	—	3.28	—
		21.0		2	950	33.8	24.8	—	13.00	35.4	21.8	9.00	8.05	3.56	2.68
YZT36B21S	TP9C080C16MP13C	21.0	CF/CM/CU48C	1	700	28.6	20.0	18.00	25.85	24.4	—	—	—	3.40	—
		21.0		2	1025	35.2	26.2	—	14.00	35.6	21.8	9.50	8.10	3.88	2.68
YZT36B21S	TP9C080C16MP13C	21.0	CF/CM/CU48D	1	700	28.6	20.0	18.00	25.85	24.4	—	—	—	3.40	—
		21.0		2	1025	35.2	26.2	—	14.00	35.6	21.8	9.50	8.10	3.88	2.68
YZT36B21S	TP9C080C16MP13C	21.0	CF/CM/CU60C	1	800	29.6	21.4	18.00	26.25	24.2	—	—	—	3.78	—
		21.0		2	1225	35.8	28.8	—	13.00	35.4	22.4	10.00	8.60	4.10	2.82
YZT36B21S	TP9C080C16MP13C	21.0	CF/CM/CU60D	1	800	29.6	21.4	18.00	26.35	24.0	—	—	—	3.78	—
		21.0		2	1225	35.8	28.8	—	14.00	35.4	22.4	10.00	8.60	4.12	2.82
YZT36B21S	TP9C100C16MP13C	21.0	CF/CM/CU36C	1	700	27.6	19.4	17.00	24.80	28.6	—	—	—	4.16	—
		21.0		2	1000	34.8	25.8	—	13.00	35.2	21.8	9.50	8.30	3.84	2.68
YZT36B21S	TP9C100C16MP13C	21.0	CF/CM/CU42C	1	700	27.8	19.4	17.00	25.20	28.4	—	—	—	3.58	—
		21.0		2	1000	33.8	25.4	—	13.00	35.2	21.8	9.00	8.15	3.72	2.68
YZT36B21S	TP9C100C16MP13C	21.0	CF/CM/CU42D	1	700	28.0	19.6	17.00	25.25	28.2	—	—	—	3.70	—
		21.0		2	975	33.6	25.0	—	13.00	35.0	21.8	9.50	8.20	3.74	2.68
YZT36B21S	TP9C100C16MP13C	21.0	CF/CM/CU48C	1	700	28.6	19.9	18.00	26.00	24.4	—	—	—	3.42	—
		21.0		2	975	35.0	25.6	—	14.00	35.4	21.8	9.50	8.10	3.88	2.68
YZT36B21S	TP9C100C16MP13C	21.0	CF/CM/CU48D	1	700	28.6	19.9	18.00	26.00	24.4	—	—	—	3.42	—
		21.0		2	975	35.0	25.6	—	14.00	35.4	21.8	9.50	8.10	3.90	2.68
YZT36B21S	TP9C100C16MP13C	21.0	CF/CM/CU60C	1	800	30.0	21.6	18.00	26.75	24.6	—	—	—	3.14	—
		21.0		2	1175	36.0	28.4	—	14.00	36.0	22.4	9.50	8.30	3.62	2.82
YZT36B21S	TP9C100C16MP13C	21.0	CF/CM/CU60D	1	800	30.0	21.6	19.00	26.90	24.6	—	—	—	3.16	—
		21.0		2	1175	36.0	28.2	—	14.00	36.0	22.4	9.50	8.30	3.64	2.82
YZT36B21S	TP9C100C20MP13C	21.0	CF/CM/CU36C	1	650	27.2	18.7	17.00	24.70	28.8	—	—	—	3.90	—
		21.0		2	1100	34.2	26.6	—	13.00	35.2	21.8	9.50	8.25	3.74	2.68
YZT36B21S	TP9C100C20MP13C	21.0	CF/CM/CU42C	1	650	28.2	19.1	18.00	25.05	29.0	—	—	—	3.02	—
		21.0		2	1100	34.2	26.6	—	13.00	35.8	21.8	9.00	7.95	3.42	2.68
YZT36B21S	TP9C100C20MP13C	21.0	CF/CM/CU42D	1	650	28.2	19.1	18.00	25.05	29.0	—	—	—	3.02	—
		21.0		2	1100	34.2	26.6	—	13.00	35.8	21.8	9.00	7.95	3.44	2.68
YZT36B21S	TP9C100C20MP13C	21.0	CF/CM/CU48C	1	650	28.2	19.1	18.00	25.95	24.4	—	—	—	3.14	—
		21.0		2	1100	34.6	26.8	—	13.00	35.6	21.8	9.00	8.00	3.88	2.68

SYSTEM CAPACITY - With High Efficiency Motor Furnaces¹ (Continued)

UNIT MODEL	FURNACE		COIL MODEL ²	Stage	COOLING					HEATING					
	MODEL	WIDTH			RATED CFM	NET MBH		SEER	EER	NET MBH		HSPF IV	HSPF V	COP	
						TOTAL	SENS.			47°F OD	17°F OD			47°F OD	17°F OD
YZT36B21S	TP9C100C20MP13C	21.0	CF/CM/CU48D	1	650	28.2	19.1	18.00	25.95	24.4	–	–	–	3.14	–
		21.0		2	1100	34.6	26.8	–	13.00	35.6	21.8	9.00	8.00	3.88	2.68
YZT36B21S	TP9C100C20MP13C	21.0	CF/CM/CU60C	1	800	29.8	21.6	19.00	26.80	24.2	–	–	–	3.72	–
		21.0		2	1275	36.0	29.4	–	14.00	35.4	22.4	10.00	8.55	4.08	2.82
YZT36B21S	TP9C100C20MP13C	21.0	CF/CM/CU60D	1	800	29.8	21.6	19.00	26.90	24.2	–	–	–	3.72	–
		21.0		2	1275	36.0	29.4	–	14.00	35.4	22.4	10.00	8.60	4.10	2.82
YZT36B21S	TP9C120D20MP13C	24.5	CF/CM/CU42D	1	700	28.6	19.8	18.00	25.75	28.8	–	–	–	3.24	–
		24.5		2	1050	34.0	26.0	–	13.00	35.6	21.8	9.00	8.05	3.56	2.68
YZT36B21S	TP9C120D20MP13C	24.5	CF/CM/CU48D	1	700	28.8	20.0	18.00	26.30	24.4	–	–	–	3.40	–
		24.5		2	1050	35.4	26.6	–	14.00	35.4	21.8	9.50	8.10	3.92	2.68
YZT36B21S	TP9C120D20MP13C	24.5	CF/CM/CU60D	1	800	30.0	21.6	19.00	27.20	24.4	–	–	–	3.48	–
		24.5		2	1200	36.0	28.6	–	14.00	35.8	22.4	9.60	8.45	3.94	2.82
YZT36B21S	TPLC060A12MP13C	14.5	CF/CM/CU36B	1	675	27.4	19.1	17.00	24.30	28.6	–	–	–	4.02	–
		14.5		2	975	34.0	25.0	–	13.00	35.2	21.8	9.50	8.25	3.74	2.68
YZT36B21S	TPLC060A12MP13C	14.5	CF42B	1	675	27.4	19.0	17.00	24.50	28.4	–	–	–	3.50	–
		14.5		2	975	33.2	24.8	–	13.00	35.2	21.8	9.25	8.15	3.68	2.68
YZT36B21S	TPLC080B12MP13C	17.5	CF/CM/CU36C	1	675	27.2	19.0	17.00	24.00	28.6	–	–	–	4.00	–
		17.5		2	1000	34.4	25.4	–	13.00	35.4	21.8	9.00	8.25	3.74	2.68
YZT36B21S	TPLC080B12MP13C	17.5	CF/CM/CU42C	1	675	27.6	19.1	17.00	24.45	28.6	–	–	–	3.42	–
		17.5		2	1000	33.4	25.0	–	13.00	35.4	21.8	9.00	8.10	3.62	2.68
YZT36B21S	TPLC080B12MP13C	17.5	CF/CM/CU48C	1	675	28.2	19.4	17.00	25.30	24.4	–	–	–	3.30	–
		17.5		2	1000	35.0	25.8	–	13.00	35.8	21.8	9.00	8.05	3.80	2.68
YZT36B21S	TPLC080B12MP13C	17.5	CF/CM/CU60C	1	800	29.8	21.6	18.00	25.80	24.6	–	–	–	3.42	–
		17.5		2	1200	35.2	28.0	–	13.00	36.0	22.4	9.60	8.40	3.72	2.82
YZT36B21S	TPLC080C16MP13C	21.0	CF/CM/CU36C	1	700	27.4	19.4	17.00	24.65	28.4	–	–	–	4.46	–
		21.0		2	1050	34.6	26.2	–	13.00	34.8	21.8	9.50	8.40	4.08	2.68
YZT36B21S	TPLC080C16MP13C	21.0	CF/CM/CU42C	1	650	27.6	18.8	17.00	24.45	28.6	–	–	–	3.30	–
		21.0		2	950	33.8	24.8	–	13.00	35.4	21.8	9.00	8.05	3.58	2.68
YZT36B21S	TPLC080C16MP13C	21.0	CF/CM/CU42D	1	700	28.6	19.8	17.00	25.65	28.8	–	–	–	3.24	–
		21.0		2	1050	34.0	26.0	–	13.00	35.6	21.8	9.00	8.05	3.54	2.68
YZT36B21S	TPLC080C16MP13C	21.0	CF/CM/CU48C	1	650	28.2	19.1	18.00	25.80	24.4	–	–	–	3.24	–
		21.0		2	950	34.8	25.2	–	14.00	35.6	21.8	9.00	8.05	3.82	2.68
YZT36B21S	TPLC080C16MP13C	21.0	CF/CM/CU48D	1	700	28.8	20.0	18.00	26.15	24.4	–	–	–	3.40	–
		21.0		2	1050	35.4	26.6	–	14.00	35.6	21.8	9.50	8.10	3.88	2.68
YZT36B21S	TPLC080C16MP13C	21.0	CF/CM/CU60C	1	800	29.6	21.4	18.00	26.50	24.0	–	–	–	3.80	–
		21.0		2	1150	35.6	28.0	–	14.00	35.2	22.4	10.00	8.60	4.16	2.82

SYSTEM CAPACITY - With High Efficiency Motor Furnaces¹ (Continued)

UNIT MODEL	FURNACE		COIL MODEL ²	Stage	COOLING					HEATING					
	MODEL	WIDTH			RATED CFM	NET MBH		SEER	EER	NET MBH		HSPF IV	HSPF V	COP	
						TOTAL	SENS.			47°F OD	17°F OD			47°F OD	17°F OD
YZT36B21S	TPLC080C16MP13C	21.0	CF/CM/CU60D	1	800	29.6	21.4	18.00	26.60	24.0	—	—	—	3.80	—
		21.0		2	1150	35.8	28.0	—	14.00	35.2	22.4	10.00	8.65	4.18	2.82
YZT36B21S	TPLC100C16MP13C	21.0	CF/CM/CU36C	1	700	27.4	19.4	17.00	24.65	28.4	—	—	—	4.46	—
		21.0		2	1050	34.6	26.2	—	13.00	34.8	21.8	9.50	8.40	4.08	2.68
YZT36B21S	TPLC100C16MP13C	21.0	CF/CM/CU42C	1	650	27.6	18.8	17.00	24.45	28.6	—	—	—	3.30	—
		21.0		2	950	33.8	24.8	—	13.00	35.4	21.8	9.00	8.05	3.58	2.68
YZT36B21S	TPLC100C16MP13C	21.0	CF/CM/CU42D	1	700	28.6	19.8	17.00	25.65	28.8	—	—	—	3.24	—
		21.0		2	1050	34.0	26.0	—	13.00	35.6	21.8	9.00	8.05	3.54	2.68
YZT36B21S	TPLC100C16MP13C	21.0	CF/CM/CU48C	1	650	28.2	19.1	18.00	25.80	24.4	—	—	—	3.24	—
		21.0		2	950	34.8	25.2	—	14.00	35.6	21.8	9.00	8.05	3.82	2.68
YZT36B21S	TPLC100C16MP13C	21.0	CF/CM/CU48D	1	700	28.8	20.0	18.00	26.15	24.4	—	—	—	3.40	—
		21.0		2	1050	35.4	26.6	—	14.00	35.6	21.8	9.50	8.10	3.88	2.68
YZT36B21S	TPLC100C16MP13C	21.0	CF/CM/CU60C	1	800	29.6	21.4	18.00	26.50	24.0	—	—	—	3.80	—
		21.0		2	1150	35.6	28.0	—	14.00	35.2	22.4	10.00	8.60	4.16	2.82
YZT36B21S	TPLC100C16MP13C	21.0	CF/CM/CU60D	1	800	29.6	21.4	18.00	26.60	24.0	—	—	—	3.80	—
		21.0		2	1150	35.8	28.0	—	14.00	35.2	22.4	10.00	8.65	4.18	2.82
YZT36B21S	TPLC100C20MP13C	21.0	CF/CM/CU36C	1	800	28.0	20.8	17.00	25.10	28.6	—	—	—	4.72	—
		21.0		2	1150	35.0	27.6	—	13.00	35.0	21.8	9.50	8.45	4.20	2.68
YZT36B21S	TPLC100C20MP13C	21.0	CF/CM/CU42C	1	800	28.8	21.2	18.00	25.65	28.2	—	—	—	3.76	—
		21.0		2	1150	34.4	27.4	—	13.00	35.4	21.8	9.50	8.20	3.86	2.68
YZT36B21S	TPLC100C20MP13C	21.0	CF/CM/CU42D	1	800	28.8	21.2	18.00	25.70	28.2	—	—	—	3.76	—
		21.0		2	1150	34.4	27.4	—	13.00	35.4	21.8	9.50	8.20	3.88	2.68
YZT36B21S	TPLC100C20MP13C	21.0	CF/CM/CU48C	1	800	29.4	21.4	18.00	26.65	24.2	—	—	—	3.54	—
		21.0		2	1150	35.8	27.8	—	14.00	35.6	21.8	9.00	8.15	3.94	2.68
YZT36B21S	TPLC100C20MP13C	21.0	CF/CM/CU48D	1	800	29.4	21.4	18.00	26.70	24.2	—	—	—	3.56	—
		21.0		2	1150	35.8	27.8	—	14.00	35.6	21.8	9.50	8.15	3.94	2.68
YZT36B21S	TPLC100C20MP13C	21.0	CF/CM/CU60C	1	800	29.6	21.4	18.00	26.85	24.0	—	—	—	3.82	—
		21.0		2	1150	35.8	28.0	—	14.00	35.0	22.4	10.00	8.65	4.20	2.82
YZT36B21S	TPLC100C20MP13C	21.0	CF/CM/CU60D	1	800	29.6	21.6	18.00	26.90	24.0	—	—	—	3.82	—
		21.0		2	1150	35.8	28.2	—	14.00	35.0	22.4	10.00	8.65	4.22	2.82
YZT36B21S	TPLC120C20MP13C	21.0	CF/CM/CU36C	1	800	28.0	20.8	17.00	25.10	28.6	—	—	—	4.72	—
		21.0		2	1150	35.0	27.6	—	13.00	35.0	21.8	9.50	8.45	4.20	2.68
YZT36B21S	TPLC120C20MP13C	21.0	CF/CM/CU42C	1	800	28.8	21.2	18.00	25.65	28.2	—	—	—	3.76	—
		21.0		2	1150	34.4	27.4	—	13.00	35.4	21.8	9.50	8.20	3.86	2.68
YZT36B21S	TPLC120C20MP13C	21.0	CF/CM/CU42D	1	800	28.8	21.2	18.00	25.70	28.2	—	—	—	3.76	—
		21.0		2	1150	34.4	27.4	—	13.00	35.4	21.8	9.50	8.20	3.88	2.68

SYSTEM CAPACITY - With High Efficiency Motor Furnaces¹ (Continued)

UNIT MODEL	FURNACE		COIL MODEL ²	Stage	COOLING					HEATING					
	MODEL	WIDTH			RATED CFM	NET MBH		SEER	EER	NET MBH		HSPF IV	HSPF V	COP	
						TOTAL	SENS.			47°F OD	17°F OD			47°F OD	17°F OD
YZT36B21S	TPLC120C20MP13C	21.0	CF/CM/CU48C	1	800	29.4	21.4	18.00	26.65	24.2	-	-	-	3.54	-
		21.0		2	1150	35.8	27.8	-	14.00	35.6	21.8	9.00	8.15	3.94	2.68
YZT36B21S	TPLC120C20MP13C	21.0	CF/CM/CU48D	1	800	29.4	21.4	18.00	26.70	24.2	-	-	-	3.56	-
		21.0		2	1150	35.8	27.8	-	14.00	35.6	21.8	9.50	8.15	3.94	2.68
YZT36B21S	TPLC120C20MP13C	21.0	CF/CM/CU60C	1	800	29.6	21.4	18.00	26.85	24.0	-	-	-	3.82	-
		21.0		2	1150	35.8	28.0	-	14.00	35.0	22.4	10.00	8.65	4.20	2.82
YZT36B21S	TPLC120C20MP13C	21.0	CF/CM/CU60D	1	800	29.6	21.6	18.00	26.90	24.0	-	-	-	3.82	-
		21.0		2	1150	35.8	28.2	-	14.00	35.0	22.4	10.00	8.65	4.22	2.82
YZT36B21S	YP9C060B12MP13C	17.5	CF/CM/CU36B	1	650	27.0	18.6	17.00	23.95	28.8	-	-	-	3.98	-
		17.5		2	1000	34.4	25.4	-	13.00	35.6	21.8	9.00	8.25	3.72	2.68
YZT36B21S	YP9C060B12MP13C	17.5	CF/CM/CU36C	1	650	27.0	18.6	17.00	24.15	28.6	-	-	-	4.00	-
		17.5		2	1000	34.4	25.4	-	13.00	35.4	21.8	9.00	8.25	3.76	2.68
YZT36B21S	YP9C060B12MP13C	17.5	CF/CM/CU42C	1	650	28.0	19.0	17.00	24.45	28.6	-	-	-	3.40	-
		17.5		2	1000	33.4	25.0	-	13.00	35.4	21.8	9.00	8.10	3.62	2.68
YZT36B21S	YP9C060B12MP13C	17.5	CF/CM/CU48C	1	650	28.2	19.1	17.00	25.45	24.4	-	-	-	3.22	-
		17.5		2	1000	35.0	25.8	-	13.00	35.8	21.8	9.00	8.05	3.80	2.68
YZT36B21S	YP9C060B12MP13C	17.5	CF/CM/CU60C	1	750	29.2	20.6	17.00	25.70	24.2	-	-	-	3.66	-
		17.5		2	1225	35.4	28.4	-	13.00	35.8	22.4	9.50	8.55	3.96	2.82
YZT36B21S	YP9C060B12MP13C	17.5	CF42B	1	650	28.0	19.0	17.00	24.20	28.6	-	-	-	3.38	-
		17.5		2	1000	33.4	25.0	-	13.00	35.6	21.8	9.00	8.10	3.60	2.68
YZT36B21S	YP9C080B12MP13C	17.5	CF/CM/CU36B	1	675	27.4	19.1	17.00	24.30	28.6	-	-	-	4.02	-
		17.5		2	975	34.2	25.2	-	13.00	35.2	21.8	9.50	8.25	3.74	2.68
YZT36B21S	YP9C080B12MP13C	17.5	CF/CM/CU42C	1	675	28.2	19.3	17.00	24.90	28.6	-	-	-	3.30	-
		17.5		2	950	33.8	24.8	-	13.00	35.6	21.8	9.00	8.05	3.54	2.68
YZT36B21S	YP9C080B12MP13C	17.5	CF/CM/CU48C	1	650	28.2	19.1	17.00	25.55	24.4	-	-	-	3.24	-
		17.5		2	950	34.8	25.2	-	13.00	35.8	21.8	9.00	8.05	3.80	2.68
YZT36B21S	YP9C080B12MP13C	17.5	CF/CM/CU60C	1	825	29.4	21.8	18.00	25.90	24.0	-	-	-	3.90	-
		17.5		2	1250	35.4	28.8	-	13.00	35.4	22.4	9.50	8.65	4.14	2.82
YZT36B21S	YP9C080B12MP13C	17.5	CF42B	1	675	27.4	19.0	17.00	24.50	28.4	-	-	-	3.50	-
		17.5		2	975	33.2	24.8	-	13.00	35.2	21.8	9.00	8.15	3.68	2.68
YZT36B21S	YP9C080C16MP13C	21.0	CF/CM/CU36C	1	675	26.8	18.8	17.00	23.95	28.6	-	-	-	3.92	-
		21.0		2	1025	33.8	25.6	-	13.00	35.2	21.8	9.50	8.25	3.70	2.68
YZT36B21S	YP9C080C16MP13C	21.0	CF/CM/CU42C	1	625	27.8	18.7	17.00	24.40	28.6	-	-	-	3.28	-
		21.0		2	950	33.8	24.8	-	13.00	35.4	21.8	9.00	8.05	3.56	2.68
YZT36B21S	YP9C080C16MP13C	21.0	CF/CM/CU42D	1	625	27.8	18.7	17.00	24.40	28.6	-	-	-	3.28	-
		21.0		2	950	33.8	24.8	-	13.00	35.4	21.8	9.00	8.05	3.56	2.68

SYSTEM CAPACITY - With High Efficiency Motor Furnaces¹ (Continued)

UNIT MODEL	FURNACE		COIL MODEL ²	Stage	COOLING					HEATING					
	MODEL	WIDTH			RATED CFM	NET MBH		SEER	EER	NET MBH		HSPF IV	HSPF V	COP	
						TOTAL	SENS.			47°F OD	17°F OD			47°F OD	17°F OD
YZT36B21S	YP9C080C16MP13C	21.0	CF/CM/CU48C	1	700	28.6	20.0	18.00	25.85	24.4	—	—	—	3.40	—
		21.0		2	1025	35.2	26.2	—	14.00	35.6	21.8	9.50	8.10	3.88	2.68
YZT36B21S	YP9C080C16MP13C	21.0	CF/CM/CU48D	1	700	28.6	20.0	18.00	25.85	24.4	—	—	—	3.40	—
		21.0		2	1025	35.2	26.2	—	14.00	35.6	21.8	9.50	8.10	3.88	2.68
YZT36B21S	YP9C080C16MP13C	21.0	CF/CM/CU60C	1	800	29.6	21.4	18.00	26.25	24.2	—	—	—	3.78	—
		21.0		2	1225	35.8	28.8	—	13.00	35.4	22.4	10.00	8.60	4.10	2.82
YZT36B21S	YP9C080C16MP13C	21.0	CF/CM/CU60D	1	800	29.6	21.4	18.00	26.35	24.0	—	—	—	3.78	—
		21.0		2	1225	35.8	28.8	—	14.00	35.4	22.4	10.00	8.60	4.12	2.82
YZT36B21S	YP9C100C16MP13C	21.0	CF/CM/CU36C	1	700	27.6	19.4	17.00	24.80	28.6	—	—	—	4.16	—
		21.0		2	1000	34.8	25.8	—	13.00	35.2	21.8	9.50	8.30	3.84	2.68
YZT36B21S	YP9C100C16MP13C	21.0	CF/CM/CU42C	1	700	27.8	19.4	17.00	25.20	28.4	—	—	—	3.58	—
		21.0		2	1000	33.8	25.4	—	13.00	35.2	21.8	9.00	8.15	3.72	2.68
YZT36B21S	YP9C100C16MP13C	21.0	CF/CM/CU42D	1	700	28.0	19.6	17.00	25.25	28.2	—	—	—	3.70	—
		21.0		2	975	33.6	25.0	—	13.00	35.0	21.8	9.50	8.20	3.74	2.68
YZT36B21S	YP9C100C16MP13C	21.0	CF/CM/CU48C	1	700	28.6	19.9	18.00	26.00	24.4	—	—	—	3.42	—
		21.0		2	975	35.0	25.6	—	14.00	35.4	21.8	9.50	8.10	3.88	2.68
YZT36B21S	YP9C100C16MP13C	21.0	CF/CM/CU48D	1	700	28.6	19.9	18.00	26.00	24.4	—	—	—	3.42	—
		21.0		2	975	35.0	25.6	—	14.00	35.4	21.8	9.50	8.10	3.90	2.68
YZT36B21S	YP9C100C16MP13C	21.0	CF/CM/CU60C	1	800	30.0	21.6	18.00	26.75	24.6	—	—	—	3.14	—
		21.0		2	1175	36.0	28.4	—	14.00	36.0	22.4	9.50	8.30	3.62	2.82
YZT36B21S	YP9C100C16MP13C	21.0	CF/CM/CU60D	1	800	30.0	21.6	19.00	26.90	24.6	—	—	—	3.16	—
		21.0		2	1175	36.0	28.2	—	14.00	36.0	22.4	9.50	8.30	3.64	2.82
YZT36B21S	YP9C100C20MP13C	21.0	CF/CM/CU36C	1	650	27.2	18.7	17.00	24.70	28.8	—	—	—	3.90	—
		21.0		2	1100	34.2	26.6	—	13.00	35.2	21.8	9.50	8.25	3.74	2.68
YZT36B21S	YP9C100C20MP13C	21.0	CF/CM/CU42C	1	650	28.2	19.1	18.00	25.05	29.0	—	—	—	3.02	—
		21.0		2	1100	34.2	26.6	—	13.00	35.8	21.8	9.00	7.95	3.42	2.68
YZT36B21S	YP9C100C20MP13C	21.0	CF/CM/CU42D	1	650	28.2	19.1	18.00	25.05	29.0	—	—	—	3.02	—
		21.0		2	1100	34.2	26.6	—	13.00	35.8	21.8	9.00	7.95	3.44	2.68
YZT36B21S	YP9C100C20MP13C	21.0	CF/CM/CU48C	1	650	28.2	19.1	18.00	25.95	24.4	—	—	—	3.14	—
		21.0		2	1100	34.6	26.8	—	13.00	35.6	21.8	9.00	8.00	3.88	2.68
YZT36B21S	YP9C100C20MP13C	21.0	CF/CM/CU48D	1	650	28.2	19.1	18.00	25.95	24.4	—	—	—	3.14	—
		21.0		2	1100	34.6	26.8	—	13.00	35.6	21.8	9.00	8.00	3.88	2.68
YZT36B21S	YP9C100C20MP13C	21.0	CF/CM/CU60C	1	800	29.8	21.6	19.00	26.80	24.2	—	—	—	3.72	—
		21.0		2	1275	36.0	29.4	—	14.00	35.4	22.4	10.00	8.55	4.08	2.82
YZT36B21S	YP9C100C20MP13C	21.0	CF/CM/CU60D	1	800	29.8	21.6	19.00	26.90	24.2	—	—	—	3.72	—
		21.0		2	1275	36.0	29.4	—	14.00	35.4	22.4	10.00	8.60	4.10	2.82

SYSTEM CAPACITY - With High Efficiency Motor Furnaces¹ (Continued)

UNIT MODEL	FURNACE		COIL MODEL ²	Stage	COOLING					HEATING					
	MODEL	WIDTH			RATED CFM	NET MBH		SEER	EER	NET MBH		HSPF IV	HSPF V	COP	
						TOTAL	SENS.			47°F OD	17°F OD			47°F OD	17°F OD
YZT36B21S	YP9C120D20MP13C	24.5	CF/CM/CU42D	1	700	28.6	19.8	18.00	25.75	28.8	–	–	–	3.24	–
		24.5		2	1050	34.0	26.0	–	13.00	35.6	21.8	9.00	8.05	3.56	2.68
YZT36B21S	YP9C120D20MP13C	24.5	CF/CM/CU48D	1	700	28.8	20.0	18.00	26.30	24.4	–	–	–	3.40	–
		24.5		2	1050	35.4	26.6	–	14.00	35.4	21.8	9.50	8.10	3.92	2.68
YZT36B21S	YP9C120D20MP13C	24.5	CF/CM/CU60D	1	800	30.0	21.6	19.00	27.20	24.4	–	–	–	3.48	–
		24.5		2	1200	36.0	28.6	–	14.00	35.8	22.4	9.60	8.45	3.94	2.82
YZT36B21S	YPLC060A12MP13C	14.5	CF/CM/CU36B	1	675	27.4	19.1	17.00	24.30	28.6	–	–	–	4.02	–
		14.5		2	975	34.0	25.0	–	13.00	35.2	21.8	9.50	8.25	3.74	2.68
YZT36B21S	YPLC060A12MP13C	14.5	CF42B	1	675	27.4	19.0	17.00	24.50	28.4	–	–	–	3.50	–
		14.5		2	975	33.2	24.8	–	13.00	35.2	21.8	9.25	8.15	3.68	2.68
YZT36B21S	YPLC080B12MP13C	17.5	CF/CM/CU36C	1	675	27.2	19.0	17.00	24.00	28.6	–	–	–	4.00	–
		17.5		2	1000	34.4	25.4	–	13.00	35.4	21.8	9.00	8.25	3.74	2.68
YZT36B21S	YPLC080B12MP13C	17.5	CF/CM/CU42C	1	675	27.6	19.1	17.00	24.45	28.6	–	–	–	3.42	–
		17.5		2	1000	33.4	25.0	–	13.00	35.4	21.8	9.00	8.10	3.62	2.68
YZT36B21S	YPLC080B12MP13C	17.5	CF/CM/CU48C	1	675	28.2	19.4	17.00	25.30	24.4	–	–	–	3.30	–
		17.5		2	1000	35.0	25.8	–	13.00	35.8	21.8	9.00	8.05	3.80	2.68
YZT36B21S	YPLC080B12MP13C	17.5	CF/CM/CU60C	1	800	29.8	21.6	18.00	25.80	24.6	–	–	–	3.42	–
		17.5		2	1200	35.2	28.0	–	13.00	36.0	22.4	9.60	8.40	3.72	2.82
YZT36B21S	YPLC080C16MP13C	21.0	CF/CM/CU36C	1	700	27.4	19.4	17.00	24.65	28.4	–	–	–	4.46	–
		21.0		2	1050	34.6	26.2	–	13.00	34.8	21.8	9.50	8.40	4.08	2.68
YZT36B21S	YPLC080C16MP13C	21.0	CF/CM/CU42C	1	650	27.6	18.8	17.00	24.45	28.6	–	–	–	3.30	–
		21.0		2	950	33.8	24.8	–	13.00	35.4	21.8	9.00	8.05	3.58	2.68
YZT36B21S	YPLC080C16MP13C	21.0	CF/CM/CU42D	1	700	28.6	19.8	17.00	25.65	28.8	–	–	–	3.24	–
		21.0		2	1050	34.0	26.0	–	13.00	35.6	21.8	9.00	8.05	3.54	2.68
YZT36B21S	YPLC080C16MP13C	21.0	CF/CM/CU48C	1	650	28.2	19.1	18.00	25.80	24.4	–	–	–	3.24	–
		21.0		2	950	34.8	25.2	–	14.00	35.6	21.8	9.00	8.05	3.82	2.68
YZT36B21S	YPLC080C16MP13C	21.0	CF/CM/CU48D	1	700	28.8	20.0	18.00	26.15	24.4	–	–	–	3.40	–
		21.0		2	1050	35.4	26.6	–	14.00	35.6	21.8	9.50	8.10	3.88	2.68
YZT36B21S	YPLC080C16MP13C	21.0	CF/CM/CU60C	1	800	29.6	21.4	18.00	26.50	24.0	–	–	–	3.80	–
		21.0		2	1150	35.6	28.0	–	14.00	35.2	22.4	10.00	8.60	4.16	2.82
YZT36B21S	YPLC080C16MP13C	21.0	CF/CM/CU60D	1	800	29.6	21.4	18.00	26.60	24.0	–	–	–	3.80	–
		21.0		2	1150	35.8	28.0	–	14.00	35.2	22.4	10.00	8.65	4.18	2.82
YZT36B21S	YPLC100C16MP13C	21.0	CF/CM/CU36C	1	700	27.4	19.4	17.00	24.65	28.4	–	–	–	4.46	–
		21.0		2	1050	34.6	26.2	–	13.00	34.8	21.8	9.50	8.40	4.08	2.68
YZT36B21S	YPLC100C16MP13C	21.0	CF/CM/CU42C	1	650	27.6	18.8	17.00	24.45	28.6	–	–	–	3.30	–
		21.0		2	950	33.8	24.8	–	13.00	35.4	21.8	9.00	8.05	3.58	2.68

SYSTEM CAPACITY - With High Efficiency Motor Furnaces¹ (Continued)

UNIT MODEL	FURNACE		COIL MODEL ²	Stage	COOLING					HEATING					
	MODEL	WIDTH			RATED CFM	NET MBH		SEER	EER	NET MBH		HSPF IV	HSPF V	COP	
						TOTAL	SENS.			47°F OD	17°F OD			47°F OD	17°F OD
YZT36B21S	YPLC100C16MP13C	21.0	CF/CM/CU42D	1	700	28.6	19.8	17.00	25.65	28.8	—	—	—	3.24	—
		21.0		2	1050	34.0	26.0	—	13.00	35.6	21.8	9.00	8.05	3.54	2.68
YZT36B21S	YPLC100C16MP13C	21.0	CF/CM/CU48C	1	650	28.2	19.1	18.00	25.80	24.4	—	—	—	3.24	—
		21.0		2	950	34.8	25.2	—	14.00	35.6	21.8	9.00	8.05	3.82	2.68
YZT36B21S	YPLC100C16MP13C	21.0	CF/CM/CU48D	1	700	28.8	20.0	18.00	26.15	24.4	—	—	—	3.40	—
		21.0		2	1050	35.4	26.6	—	14.00	35.6	21.8	9.50	8.10	3.88	2.68
YZT36B21S	YPLC100C16MP13C	21.0	CF/CM/CU60C	1	800	29.6	21.4	18.00	26.50	24.0	—	—	—	3.80	—
		21.0		2	1150	35.6	28.0	—	14.00	35.2	22.4	10.00	8.60	4.16	2.82
YZT36B21S	YPLC100C16MP13C	21.0	CF/CM/CU60D	1	800	29.6	21.4	18.00	26.60	24.0	—	—	—	3.80	—
		21.0		2	1150	35.8	28.0	—	14.00	35.2	22.4	10.00	8.65	4.18	2.82
YZT36B21S	YPLC100C20MP13C	21.0	CF/CM/CU36C	1	800	28.0	20.8	17.00	25.10	28.6	—	—	—	4.72	—
		21.0		2	1150	35.0	27.6	—	13.00	35.0	21.8	9.50	8.45	4.20	2.68
YZT36B21S	YPLC100C20MP13C	21.0	CF/CM/CU42C	1	800	28.8	21.2	18.00	25.65	28.2	—	—	—	3.76	—
		21.0		2	1150	34.4	27.4	—	13.00	35.4	21.8	9.50	8.20	3.86	2.68
YZT36B21S	YPLC100C20MP13C	21.0	CF/CM/CU42D	1	800	28.8	21.2	18.00	25.70	28.2	—	—	—	3.76	—
		21.0		2	1150	34.4	27.4	—	13.00	35.4	21.8	9.50	8.20	3.88	2.68
YZT36B21S	YPLC100C20MP13C	21.0	CF/CM/CU48C	1	800	29.4	21.4	18.00	26.65	24.2	—	—	—	3.54	—
		21.0		2	1150	35.8	27.8	—	14.00	35.6	21.8	9.00	8.15	3.94	2.68
YZT36B21S	YPLC100C20MP13C	21.0	CF/CM/CU48D	1	800	29.4	21.4	18.00	26.70	24.2	—	—	—	3.56	—
		21.0		2	1150	35.8	27.8	—	14.00	35.6	21.8	9.50	8.15	3.94	2.68
YZT36B21S	YPLC100C20MP13C	21.0	CF/CM/CU60C	1	800	29.6	21.4	18.00	26.85	24.0	—	—	—	3.82	—
		21.0		2	1150	35.8	28.0	—	14.00	35.0	22.4	10.00	8.65	4.20	2.82
YZT36B21S	YPLC100C20MP13C	21.0	CF/CM/CU60D	1	800	29.6	21.6	18.00	26.90	24.0	—	—	—	3.82	—
		21.0		2	1150	35.8	28.2	—	14.00	35.0	22.4	10.00	8.65	4.22	2.82
YZT36B21S	YPLC120C20MP13C	21.0	CF/CM/CU36C	1	800	28.0	20.8	17.00	25.10	28.6	—	—	—	4.72	—
		21.0		2	1150	35.0	27.6	—	13.00	35.0	21.8	9.50	8.45	4.20	2.68
YZT36B21S	YPLC120C20MP13C	21.0	CF/CM/CU42C	1	800	28.8	21.2	18.00	25.65	28.2	—	—	—	3.76	—
		21.0		2	1150	34.4	27.4	—	13.00	35.4	21.8	9.50	8.20	3.86	2.68
YZT36B21S	YPLC120C20MP13C	21.0	CF/CM/CU42D	1	800	28.8	21.2	18.00	25.70	28.2	—	—	—	3.76	—
		21.0		2	1150	34.4	27.4	—	13.00	35.4	21.8	9.50	8.20	3.88	2.68
YZT36B21S	YPLC120C20MP13C	21.0	CF/CM/CU48C	1	800	29.4	21.4	18.00	26.65	24.2	—	—	—	3.54	—
		21.0		2	1150	35.8	27.8	—	14.00	35.6	21.8	9.00	8.15	3.94	2.68
YZT36B21S	YPLC120C20MP13C	21.0	CF/CM/CU48D	1	800	29.4	21.4	18.00	26.70	24.2	—	—	—	3.56	—
		21.0		2	1150	35.8	27.8	—	14.00	35.6	21.8	9.50	8.15	3.94	2.68
YZT36B21S	YPLC120C20MP13C	21.0	CF/CM/CU60C	1	800	29.6	21.4	18.00	26.85	24.0	—	—	—	3.82	—
		21.0		2	1150	35.8	28.0	—	14.00	35.0	22.4	10.00	8.65	4.20	2.82

SYSTEM CAPACITY - With High Efficiency Motor Furnaces¹ (Continued)

UNIT MODEL	FURNACE		COIL MODEL ²	Stage	COOLING					HEATING					
	MODEL	WIDTH			RATED CFM	NET MBH		SEER	EER	NET MBH		HSPF IV	HSPF V	COP	
						TOTAL	SENS.			47°F OD	17°F OD			47°F OD	17°F OD
YZT36B21S	YPLC120C20MP13C	21.0	CF/CM/CU60D	1	800	29.6	21.6	18.00	26.90	24.0	-	-	-	3.82	-
		21.0		2	1150	35.8	28.2	-	14.00	35.0	22.4	10.00	8.65	4.22	2.82
YZT48B21S	TM8V080C16MP12C	21.0	CF/CM64D	1	875	36.2	25.0	16.50	23.30	30.4	-	-	-	3.42	-
		21.0		2	1375	46.0	34.4	-	12.50	47.0	30.8	9.00	8.40	3.94	2.90
YZT48B21S	TM8V100C16MP12C	21.0	CF/CM64D	1	875	36.2	25.0	16.50	23.30	30.4	-	-	-	3.42	-
		21.0		2	1375	46.0	34.4	-	12.50	47.0	30.8	9.00	8.40	3.94	2.90
YZT48B21S	TM8V100C20MP12C	21.0	CF/CM64D	1	925	36.4	25.6	17.00	23.65	30.4	-	-	-	3.50	-
		21.0		2	1375	46.5	35.0	-	13.00	46.5	30.6	9.60	8.50	4.00	2.92
YZT48B21S	TM8V120C20MP12C	21.0	CF/CM64D	1	925	36.4	25.6	17.00	23.65	30.4	-	-	-	3.50	-
		21.0		2	1375	46.5	35.0	-	13.00	46.5	30.6	9.60	8.50	4.00	2.92
YZT48B21S	TM8X080C16MP11	21.0	CF/CM64D	1	1400	38.5	32.0	15.50	21.50	31.6	-	-	-	3.62	-
		21.0		2	1525	46.5	36.4	-	12.25	48.0	31.4	9.00	8.35	3.90	2.82
YZT48B21S	TM8X100C16MP11	21.0	CF/CM64D	1	1400	38.5	32.0	15.50	21.50	31.6	-	-	-	3.62	-
		21.0		2	1525	46.5	36.4	-	12.25	48.0	31.4	9.00	8.35	3.90	2.82
YZT48B21S	TM8X100C20MP11	21.0	CF/CM64D	1	1250	38.0	29.8	16.50	23.20	30.8	-	-	-	3.70	-
		21.0		2	1375	46.5	35.0	-	12.50	46.5	30.8	9.00	8.55	4.00	2.92
YZT48B21S	TM8X120C20MP11	21.0	CF/CM64D	1	1250	38.0	29.8	16.50	23.20	30.8	-	-	-	3.70	-
		21.0		2	1375	46.5	35.0	-	12.50	46.5	30.8	9.00	8.55	4.00	2.92
YZT48B21S	TM8Y080C16MP11	21.0	CF/CM64D	1	1400	38.5	32.0	15.50	21.50	31.6	-	-	-	3.62	-
		21.0		2	1525	46.5	36.4	-	12.25	48.0	31.4	9.00	8.35	3.90	2.82
YZT48B21S	TM8Y100C16MP11	21.0	CF/CM64D	1	1400	38.5	32.0	15.50	21.50	31.6	-	-	-	3.62	-
		21.0		2	1525	46.5	36.4	-	12.25	48.0	31.4	9.00	8.35	3.90	2.82
YZT48B21S	TM8Y100C20MP11	21.0	CF/CM64D	1	1250	38.0	29.8	16.50	23.20	30.8	-	-	-	3.70	-
		21.0		2	1375	46.5	35.0	-	12.50	46.5	30.8	9.00	8.55	4.00	2.92
YZT48B21S	TM8Y120C20MP11	21.0	CF/CM64D	1	1250	38.0	29.8	16.50	23.20	30.8	-	-	-	3.70	-
		21.0		2	1375	46.5	35.0	-	12.50	46.5	30.8	9.00	8.55	4.00	2.92
YZT48B21S	TM9E100C16MP11	21.0	CF/CM64D	1	1275	38.0	30.0	15.50	21.80	31.2	-	-	-	3.60	-
		21.0		2	1375	46.0	34.6	-	12.25	47.0	31.0	9.00	8.40	3.90	2.86
YZT48B21S	TM9E100C20MP11	21.0	CF/CM64D	1	1200	37.6	29.2	16.00	22.60	31.0	-	-	-	3.62	-
		21.0		2	1350	46.0	34.2	-	12.50	47.0	30.8	9.00	8.45	3.94	2.90
YZT48B21S	TM9E120D20MP11	24.5	CF/CM64D	1	1250	38.0	30.0	16.00	23.00	30.8	-	-	-	3.68	-
		24.5		2	1375	46.5	35.0	-	12.50	47.0	30.8	9.00	8.50	3.98	2.92
YZT48B21S	TM9V080C16MP12C	21.0	CF/CM64D	1	900	35.6	25.0	16.00	22.80	30.6	-	-	-	3.44	-
		21.0		2	1375	46.0	34.6	-	12.50	47.0	31.0	9.00	8.35	3.90	2.86
YZT48B21S	TM9V100C16MP12C	21.0	CF/CM64D	1	975	36.8	26.4	16.50	23.35	31.0	-	-	-	3.50	-
		21.0		2	1425	46.5	35.4	-	12.50	47.5	31.2	9.00	8.35	3.92	2.86

SYSTEM CAPACITY - With High Efficiency Motor Furnaces¹ (Continued)

UNIT MODEL	FURNACE		COIL MODEL ²	Stage	COOLING					HEATING					
	MODEL	WIDTH			RATED CFM	NET MBH		SEER	EER	NET MBH		HSPF IV	HSPF V	COP	
						TOTAL	SENS.			47°F OD	17°F OD			47°F OD	17°F OD
YZT48B21S	TM9V100C20MP12C	21.0	CF/CM64D	1	825	35.6	24.0	16.50	23.20	30.4	–	–	–	3.32	–
		21.0		2	1350	46.0	34.2	–	12.50	47.0	30.8	9.00	8.40	3.94	2.90
YZT48B21S	TM9V120D20MP12C	24.5	CF/CM64D	1	900	36.4	25.4	17.00	23.50	30.6	–	–	–	3.46	–
		24.5		2	1400	46.5	35.2	–	13.00	46.5	30.8	9.60	8.45	4.00	2.92
YZT48B21S	TM9Y100C16MP11	21.0	CF/CM64D	1	1275	38.0	30.0	15.50	21.80	31.2	–	–	–	3.60	–
		21.0		2	1375	46.0	34.6	–	12.25	47.0	31.0	9.00	8.40	3.90	2.86
YZT48B21S	TM9Y100C20MP11	21.0	CF/CM64D	1	1200	37.6	29.2	16.00	22.60	31.0	–	–	–	3.62	–
		21.0		2	1350	46.0	34.2	–	12.50	47.0	30.8	9.00	8.45	3.94	2.90
YZT48B21S	TM9Y120D20MP11	24.5	CF/CM64D	1	1250	38.0	30.0	16.00	23.00	30.8	–	–	–	3.68	–
		24.5		2	1375	46.5	35.0	–	12.50	47.0	30.8	9.00	8.50	3.98	2.92
YZT48B21S	TMLV080C16MP12C	21.0	CF/CM64D	1	875	36.2	25.0	16.50	23.30	30.4	–	–	–	3.42	–
		21.0		2	1375	46.0	34.4	–	12.50	47.0	30.8	9.00	8.40	3.94	2.90
YZT48B21S	TMLV100C16MP12C	21.0	CF/CM64D	1	875	36.2	25.0	16.50	23.30	30.4	–	–	–	3.42	–
		21.0		2	1375	46.0	34.4	–	12.50	47.0	30.8	9.00	8.40	3.94	2.90
YZT48B21S	TMLV100C20MP12C	21.0	CF/CM64D	1	925	36.4	25.6	17.00	23.65	30.4	–	–	–	3.50	–
		21.0		2	1375	46.5	35.0	–	13.00	46.5	30.6	9.60	8.50	4.00	2.92
YZT48B21S	TMLV120C20MP12C	21.0	CF/CM64D	1	925	36.4	25.6	17.00	23.65	30.4	–	–	–	3.50	–
		21.0		2	1375	46.5	35.0	–	13.00	46.5	30.6	9.60	8.50	4.00	2.92
YZT48B21S	TMLX080C16MP11	21.0	CF/CM64D	1	1400	38.5	32.0	15.50	21.50	31.6	–	–	–	3.62	–
		21.0		2	1525	46.5	36.4	–	12.25	48.0	31.4	9.00	8.35	3.90	2.82
YZT48B21S	TMLX100C16MP11	21.0	CF/CM64D	1	1400	38.5	32.0	15.50	21.50	31.6	–	–	–	3.62	–
		21.0		2	1525	46.5	36.4	–	12.25	48.0	31.4	9.00	8.35	3.90	2.82
YZT48B21S	TMLX100C20MP11	21.0	CF/CM64D	1	1250	38.0	29.8	16.50	23.20	30.8	–	–	–	3.70	–
		21.0		2	1375	46.5	35.0	–	12.50	46.5	30.8	9.00	8.55	4.00	2.92
YZT48B21S	TMLX120C20MP11	21.0	CF/CM64D	1	1250	38.0	29.8	16.50	23.20	30.8	–	–	–	3.70	–
		21.0		2	1375	46.5	35.0	–	12.50	46.5	30.8	9.00	8.55	4.00	2.92
YZT48B21S	TP9C080C16MP13C	21.0	CF/CM64D	1	900	35.6	25.0	16.00	22.80	30.6	–	–	–	3.44	–
		21.0		2	1375	46.0	34.6	–	12.50	47.0	31.0	9.00	8.35	3.90	2.86
YZT48B21S	TP9C100C16MP13C	21.0	CF/CM64D	1	975	36.8	26.4	16.50	23.35	31.0	–	–	–	3.50	–
		21.0		2	1425	46.5	35.4	–	12.50	47.5	31.2	9.00	8.35	3.92	2.86
YZT48B21S	TP9C100C20MP13C	21.0	CF/CM64D	1	825	35.6	24.0	16.50	23.20	30.4	–	–	–	3.32	–
		21.0		2	1350	46.0	34.2	–	12.50	47.0	30.8	9.00	8.40	3.94	2.90
YZT48B21S	TP9C120D20MP13C	24.5	CF/CM64D	1	900	36.4	25.4	17.00	23.50	30.6	–	–	–	3.46	–
		24.5		2	1400	46.5	35.2	–	13.00	46.5	30.8	9.60	8.45	4.00	2.92
YZT48B21S	TPLC080C16MP13C	21.0	CF/CM64D	1	875	36.2	25.0	16.50	23.30	30.4	–	–	–	3.42	–
		21.0		2	1375	46.0	34.4	–	12.50	47.0	30.8	9.00	8.40	3.94	2.90

SYSTEM CAPACITY - With High Efficiency Motor Furnaces¹ (Continued)

UNIT MODEL	FURNACE		COIL MODEL ²	Stage	COOLING					HEATING					
	MODEL	WIDTH			RATED CFM	NET MBH		SEER	EER	NET MBH		HSPF IV	HSPF V	COP	
						TOTAL	SENS.			47°F OD	17°F OD			47°F OD	17°F OD
YZT48B21S	TPLC100C16MP13C	21.0	CF/CM64D	1	875	36.2	25.0	16.50	23.30	30.4	-	-	-	3.42	-
		21.0		2	1375	46.0	34.4	-	12.50	47.0	30.8	9.00	8.40	3.94	2.90
YZT48B21S	TPLC100C20MP13C	21.0	CF/CM64D	1	925	36.4	25.6	17.00	23.65	30.4	-	-	-	3.50	-
		21.0		2	1375	46.5	35.0	-	13.00	46.5	30.6	9.60	8.50	4.00	2.92
YZT48B21S	TPLC120C20MP13C	21.0	CF/CM64D	1	925	36.4	25.6	17.00	23.65	30.4	-	-	-	3.50	-
		21.0		2	1375	46.5	35.0	-	13.00	46.5	30.6	9.60	8.50	4.00	2.92
YZT48B21S	YP9C080C16MP13C	21.0	CF/CM64D	1	900	35.6	25.0	16.00	22.80	30.6	-	-	-	3.44	-
		21.0		2	1375	46.0	34.6	-	12.50	47.0	31.0	9.00	8.35	3.90	2.86
YZT48B21S	YP9C100C16MP13C	21.0	CF/CM64D	1	975	36.8	26.4	16.50	23.35	31.0	-	-	-	3.50	-
		21.0		2	1425	46.5	35.4	-	12.50	47.5	31.2	9.00	8.35	3.92	2.86
YZT48B21S	YP9C100C20MP13C	21.0	CF/CM64D	1	825	35.6	24.0	16.50	23.20	30.4	-	-	-	3.32	-
		21.0		2	1350	46.0	34.2	-	12.50	47.0	30.8	9.00	8.40	3.94	2.90
YZT48B21S	YP9C120D20MP13C	24.5	CF/CM64D	1	900	36.4	25.4	17.00	23.50	30.6	-	-	-	3.46	-
		24.5		2	1400	46.5	35.2	-	13.00	46.5	30.8	9.60	8.45	4.00	2.92
YZT48B21S	YPLC080C16MP13C	21.0	CF/CM64D	1	875	36.2	25.0	16.50	23.30	30.4	-	-	-	3.42	-
		21.0		2	1375	46.0	34.4	-	12.50	47.0	30.8	9.00	8.40	3.94	2.90
YZT48B21S	YPLC100C16MP13C	21.0	CF/CM64D	1	875	36.2	25.0	16.50	23.30	30.4	-	-	-	3.42	-
		21.0		2	1375	46.0	34.4	-	12.50	47.0	30.8	9.00	8.40	3.94	2.90
YZT48B21S	YPLC100C20MP13C	21.0	CF/CM64D	1	925	36.4	25.6	17.00	23.65	30.4	-	-	-	3.50	-
		21.0		2	1375	46.5	35.0	-	13.00	46.5	30.6	9.60	8.50	4.00	2.92
YZT48B21S	YPLC120C20MP13C	21.0	CF/CM64D	1	925	36.4	25.6	17.00	23.65	30.4	-	-	-	3.50	-
		21.0		2	1375	46.5	35.0	-	13.00	46.5	30.6	9.60	8.50	4.00	2.92
YZT60B21S	TM8V100C20MP12C	21.0	CF/CM64D	1	1075	41.0	28.0	16.50	20.80	37.2	-	-	-	3.52	-
		21.0		2	1550	56.5	41.0	-	12.50	57.5	36.8	9.25	8.05	3.80	2.58
YZT60B21S	TM8V120C20MP12C	21.0	CF/CM64D	1	1075	41.0	28.0	16.50	20.80	37.2	-	-	-	3.52	-
		21.0		2	1550	56.5	41.0	-	12.50	57.5	36.8	9.25	8.05	3.80	2.58
YZT60B21S	TM8X100C20MP11	21.0	CF/CM64D	1	1425	42.5	32.2	16.00	20.05	37.6	-	-	-	3.66	-
		21.0		2	1550	56.5	41.0	-	12.50	57.5	36.8	9.25	8.10	3.80	2.58
YZT60B21S	TM8X120C20MP11	21.0	CF/CM64D	1	1425	42.5	32.2	16.00	20.05	37.6	-	-	-	3.66	-
		21.0		2	1550	56.5	41.0	-	12.50	57.5	36.8	9.25	8.10	3.80	2.58
YZT60B21S	TM8Y100C20MP11	21.0	CF/CM64D	1	1425	42.5	32.2	16.00	20.05	37.6	-	-	-	3.66	-
		21.0		2	1550	56.5	41.0	-	12.50	57.5	36.8	9.25	8.10	3.80	2.58
YZT60B21S	TM8Y120C20MP11	21.0	CF/CM64D	1	1425	42.5	32.2	16.00	20.05	37.6	-	-	-	3.66	-
		21.0		2	1550	56.5	41.0	-	12.50	57.5	36.8	9.25	8.10	3.80	2.58
YZT60B21S	TM9E100C20MP11	21.0	CF/CM64D	1	1375	42.5	31.8	15.50	19.50	37.8	-	-	-	3.60	-
		21.0		2	1525	56.0	40.0	-	12.25	58.0	37.0	9.25	8.15	3.74	2.60

SYSTEM CAPACITY - With High Efficiency Motor Furnaces¹ (Continued)

UNIT MODEL	FURNACE		COIL MODEL ²	Stage	COOLING					HEATING					
	MODEL	WIDTH			RATED CFM	NET MBH		SEER	EER	NET MBH		HSPF IV	HSPF V	COP	
						TOTAL	SENS.			47°F OD	17°F OD			47°F OD	17°F OD
YZT60B21S	TM9E120D20MP11	24.5	CF/CM64D	1	1425	42.5	32.0	15.50	19.80	37.6	—	—	—	3.64	—
		24.5		2	1575	56.5	41.0	—	12.50	58.0	37.0	9.60	8.35	3.80	2.70
YZT60B21S	TM9V100C20MP12C	21.0	CF/CM64D	1	975	40.0	26.6	16.00	20.40	37.0	—	—	—	3.40	—
		21.0		2	1600	56.5	41.5	—	12.25	58.0	37.2	9.25	8.25	3.78	2.68
YZT60B21S	TM9V120D20MP12C	24.5	CF/CM64D	1	1000	40.5	27.2	16.00	20.65	37.0	—	—	—	3.44	—
		24.5		2	1575	56.5	41.0	—	12.50	58.0	37.0	9.60	8.30	3.80	2.70
YZT60B21S	TM9Y100C20MP11	21.0	CF/CM64D	1	1375	42.5	31.8	15.50	19.50	37.8	—	—	—	3.60	—
		21.0		2	1525	56.0	40.0	—	12.25	58.0	37.0	9.25	8.15	3.74	2.60
YZT60B21S	TM9Y120D20MP11	24.5	CF/CM64D	1	1425	42.5	32.0	15.50	19.80	37.6	—	—	—	3.64	—
		24.5		2	1575	56.5	41.0	—	12.50	58.0	37.0	9.60	8.35	3.80	2.70
YZT60B21S	TMLV100C20MP12C	21.0	CF/CM64D	1	1075	41.0	28.0	16.50	20.80	37.2	—	—	—	3.52	—
		21.0		2	1550	56.5	41.0	—	12.50	57.5	36.8	9.25	8.05	3.80	2.58
YZT60B21S	TMLV120C20MP12C	21.0	CF/CM64D	1	1075	41.0	28.0	16.50	20.80	37.2	—	—	—	3.52	—
		21.0		2	1550	56.5	41.0	—	12.50	57.5	36.8	9.25	8.05	3.80	2.58
YZT60B21S	TMLX100C20MP11	21.0	CF/CM64D	1	1425	42.5	32.2	16.00	20.05	37.6	—	—	—	3.66	—
		21.0		2	1550	56.5	41.0	—	12.50	57.5	36.8	9.25	8.10	3.80	2.58
YZT60B21S	TMLX120C20MP11	21.0	CF/CM64D	1	1425	42.5	32.2	16.00	20.05	37.6	—	—	—	3.66	—
		21.0		2	1550	56.5	41.0	—	12.50	57.5	36.8	9.25	8.10	3.80	2.58
YZT60B21S	TP9C100C20MP13C	21.0	CF/CM64D	1	975	40.0	26.6	16.00	20.40	37.0	—	—	—	3.40	—
		21.0		2	1600	56.5	41.5	—	12.25	58.0	37.2	9.25	8.25	3.78	2.68
YZT60B21S	TP9C120D20MP13C	24.5	CF/CM64D	1	1000	40.5	27.2	16.00	20.65	37.0	—	—	—	3.44	—
		24.5		2	1575	56.5	41.0	—	12.50	58.0	37.0	9.60	8.30	3.80	2.70
YZT60B21S	TPLC100C20MP13C	21.0	CF/CM64D	1	1075	41.0	28.0	16.50	20.80	37.2	—	—	—	3.52	—
		21.0		2	1550	56.5	41.0	—	12.50	57.5	36.8	9.25	8.05	3.80	2.58
YZT60B21S	TPLC120C20MP13C	21.0	CF/CM64D	1	1075	41.0	28.0	16.50	20.80	37.2	—	—	—	3.52	—
		21.0		2	1550	56.5	41.0	—	12.50	57.5	36.8	9.25	8.05	3.80	2.58
YZT60B21S	YP9C100C20MP13C	21.0	CF/CM64D	1	975	40.0	26.6	16.00	20.40	37.0	—	—	—	3.40	—
		21.0		2	1600	56.5	41.5	—	12.25	58.0	37.2	9.25	8.25	3.78	2.68
YZT60B21S	YP9C120D20MP13C	24.5	CF/CM64D	1	1000	40.5	27.2	16.00	20.65	37.0	—	—	—	3.44	—
		24.5		2	1575	56.5	41.0	—	12.50	58.0	37.0	9.60	8.30	3.80	2.70
YZT60B21S	YPLC100C20MP13C	21.0	CF/CM64D	1	1075	41.0	28.0	16.50	20.80	37.2	—	—	—	3.52	—
		21.0		2	1550	56.5	41.0	—	12.50	57.5	36.8	9.25	8.05	3.80	2.58
YZT60B21S	YPLC120C20MP13C	21.0	CF/CM64D	1	1075	41.0	28.0	16.50	20.80	37.2	—	—	—	3.52	—
		21.0		2	1550	56.5	41.0	—	12.50	57.5	36.8	9.25	8.05	3.80	2.58

1. High Efficiency Motor Furnaces have B.O.D. (Blower on Delay) standard.

2. CM coils available with a factory installed horizontal drain pan. See price pages for specific model number.

APPLICATIONS AND ACCESSORIES

Refer to Price Manual for specific model numbers.

Standard Application Limits*		
Maximum Lineset Equivalent Length	80 Ft	
Outdoor Ambient Temperature Limits		
Cooling Operation	Maximum DB	125°F
	Minimum DB	35°F
Heating Operation	Maximum DB	75°F
	Minimum DB	-20°F

* For Low Ambient and/or Long Lineset Applications, please see the accessories listed below.

Non-Standard Lineset Applications - For installations with reduced diameter or long linesets, refer to the current version of the Piping Application Guide P/N 247077, available in the Application Bulletins section on www.upgnet.com.

Start Assist Kit S1-2SA067****: Provides increased compressor starting torque for areas with low supply voltage. Required for all units when applied with long linesets. See Price Pages or Source1 SmartSearch for the correct kit for each application.

Support Feet S1-HPRKIT**: Kit of 5 support feet to raise unit above snow or landscaping. Available in heights of 3", 6" or 12".

Anchor Bracket Ground Mount Kit S1-1HK0701: Firmly anchors unit to pad or support structure. When properly installed, approved for ground-mounted applications.

Anchor Bracket Roof Mount Kit S1-1HK0901: Firmly anchors unit to pad or support structure. When properly installed, approved for roof-mounted applications.

Indoor TXV Kit S1-1TVM***: Thermal expansion valves precisely meter refrigerant for optimum performance over a wide range of conditions. See System Charge Table & Price Pages for TXV part number for each AC & HP model.

Wall Mount Kit (S1-ACB-)**: Includes two brackets to allow outdoor unit to be securely mounted to a vertical wall. Mounting hardware is field sourced according to the specific application.

Winter Cover Kit S1-CCVRE****: Custom fit winter cover protects AC condensing unit from debris during the off-season. Must be removed prior to unit operation. See Price Pages for the correct cover for each application.

Cold Weather Charging Tent S1-CHGTENT01: Provides warm environment to accurately service AC & HP systems in ambient conditions 55°F (13°C) or colder.

Touch-up Paint S1-5130153****: Color matched aerosol paint for touching up unit chassis and panels. See Price Pages or Source1 SmartSearch for the correct color for each application.

Thermostat: Compatible thermostat controls are available through accessory sourcing. For optimum performance, these outdoor units are fully compatible with our York Hx™ Touchscreen Thermostats available through Source1. For more information, see the thermostat section of the Product Equipment Catalog.

SOUND POWER RATINGS - COOLING

Stage 1 - Cooling	Octave Band Sound Power Level (db re. 1-pW)									
	Model Number	63	125	250	500	1000	2000	4000	8000	dBA
YZT24B21S	66	67	60	62	64	55	51	46	66	19.0
YZT36B21S	66	67	61	66	66	57	51	50	68	19.0
YZT48B21S	67	68	65	68	69	58	54	51	71	19.0
YZT60B21S	68	72	68	70	69	62	56	54	72	19.0
Stage 2 - Cooling	Octave Band Sound Power Level (db re. 1-pW)									
YZT24B21S	66	66	61	66	66	57	51	49	68	19.0
YZT36B21S	68	72	68	70	70	62	56	54	72	19.0
YZT48B21S	75	70	68	70	69	63	56	53	73	19.0
YZT60B21S	67	72	70	72	70	62	57	53	73	19.0

Rated in accordance with ARI Standard 270.

SOUND POWER RATINGS - HEATING

Stage 1 - Heating	Octave Band Sound Power Level (db re. 1-pW)									
	Model Number	63	125	250	500	1000	2000	4000	8000	dBA
YZT24B21S	65	65	61	66	63	53	50	47	67	19
YZT36B21S	68	70	67	70	68	60	56	52	71	19
YZT48B21S	65	65	64	67	68	58	54	48	70	19
YZT60B21S	66	66	62	69	66	59	56	56	70	19
Stage 2 - Heating	Octave Band Sound Power Level (db re. 1-pW)									
YZT24B21S	66	70	66	68	68	59	56	51	71	19
YZT36B21S	68	72	67	70	69	61	56	54	72	19
YZT48B21S	67	71	70	72	70	62	56	53	73	19
YZT60B21S	75	72	67	70	71	62	56	52	73	19

Rated in accordance with ARI Standard 270.

MECHANICAL SPECIFICATIONS

MANUFACTURE AND CERTIFICATIONS

- Units shall be manufactured in an ISO 9001 certified facility.
- Units shall be certified by CSA to UL 1995 / CSA 22.2 and performance certified to ANSI/AHRI Standard 210/240.
- Units shall be sound tested according to ANSI/AHRI Standard 270.
- Certified matched system ratings will be available for download from the AHRI online directory at www.ahridirectory.org.
- Unit packaging shall be marked, "Assembled in the USA".
- Unit shall be labeled with the ENERGY STAR logo.
- Unit shall be recognized as ENERGY STAR Most Efficient. (May apply only to select models in each series).

UNIT APPLICATION

- Units shall be approved for cooling operation between 55°F and 125°F without modification.
- Units shall be approved for heating operation between -20°F and 75°F without modification.
- Units shall be approved for linesets up to 80 feet equivalent length without modification.
- Units shall be approved for installation within 6 inches of a flat vertical wall without modification, according to the instructions in the technical literature.
- Units shall be certified to the 5th Edition (2014) of the Florida Building Code for both Ground Mounted and Rooftop Mounted applications up to 200 feet above grade with approved mounting kit.
- Units shall be designed to 74dBA or less to minimize sound pollution.

UNIT ACCESS

- Units shall have a removable fan guard that can be removed independently of the top for interior access through the top of the unit without damaging the coil.
- Units shall have two removable stamped steel coil guards for exterior coil access.
- Units shall have a separate compartment for electrical controls that can be accessed without disturbing the unit airflow.
- Units shall have a blockoff panel that can be removed to provide interior unit access through the side of the unit.
- Units shall have a removable blockoff panel and a swing away removable electrical panel that provides sufficient interior unit access for removing the compressor through the side of the unit.

UNIT CONSTRUCTION

- Units shall be shipped completely wired, piped and assembled. Wiring pigtailed shall be provided for field control wiring connections. Service valves shall be provided for field refrigerant line connections.
- Units shall be factory leak checked, run tested, and shipped with a holding charge of R-410A refrigerant.
- Unit cabinet components shall be G90 equivalent steel finished with powder-coat paint rated at a minimum of 1,000 hours under ASTM B117 testing.

- Unit shall be constructed with a composite base pan to prevent corrosion and minimize noise and vibration.
- Units shall have a single corner post opposite the electrical control box and two independently removable steel coil guard panels to optimize cabinet strength and serviceability.
- Units shall have L-shaped stamped sheet metal coil guards with interior facing extrusions for superior panel stiffness and durability from hail and other mechanical impacts.
- Units shall have L-shaped stamped sheet metal coil guards with extruded louvers for maximum panel durability and system protection.
- Units shall have a factory installed bi-directional stainless steel filter-drier for faster installation and improved system reliability.
- Unit base valves shall be mounted diagonally on the unit base pan with service ports that provide sufficient clearance for low-loss hose fittings.
- Units shall provide a service port mounted in the base pan such that panels can be removed without moving the service port.
- Units shall be constructed with a high pressure switch and a low pressure switch for system protection.
- Units shall be constructed with a high pressure switch for system protection.
- Units shall be constructed with all badging and labels applied at the factory.

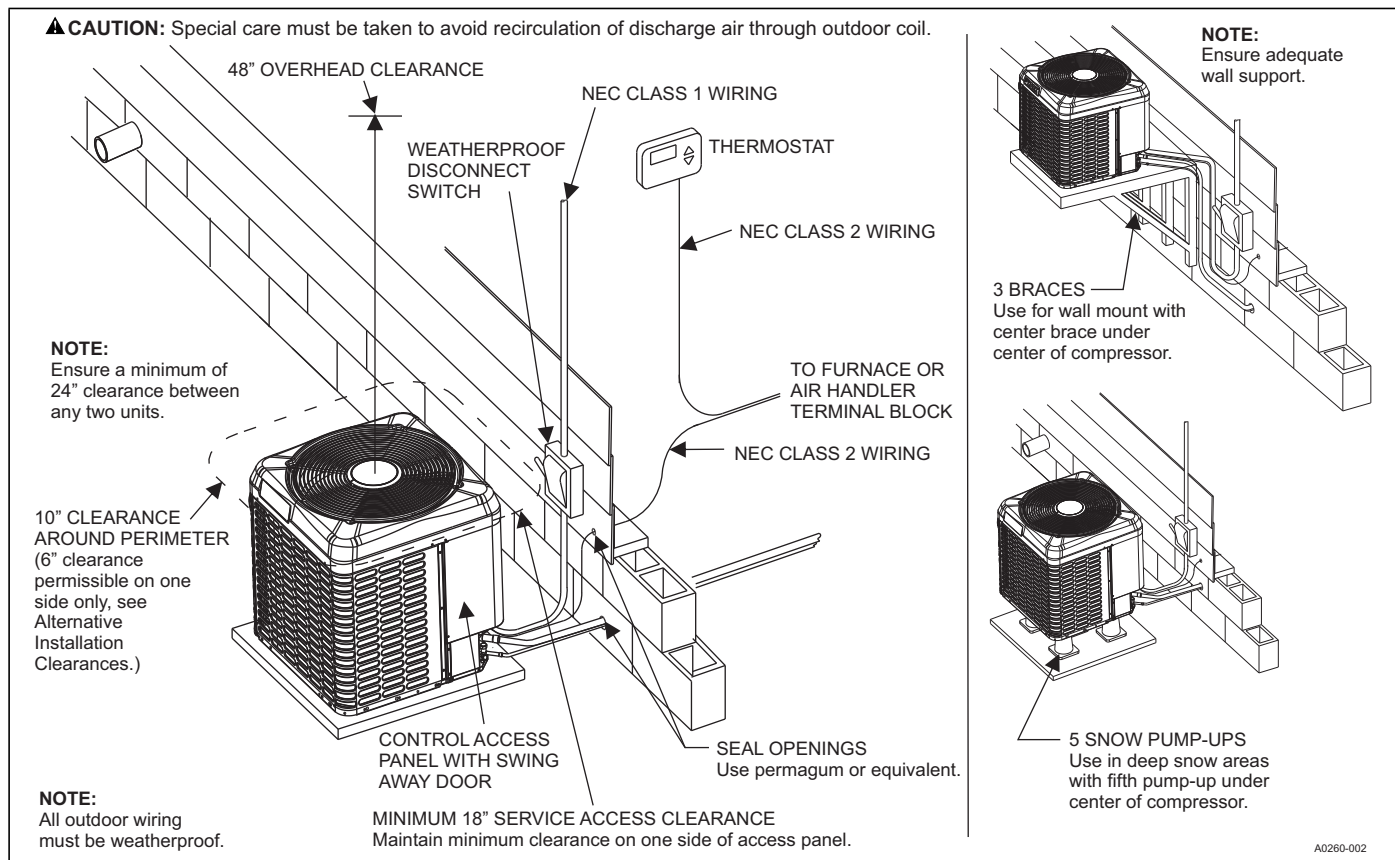
UNIT COMPONENTS

- Compressor shall be hermetic with internal electrical overload protection and internal overpressure protection.
- Compressor shall be mounted on neoprene vibration isolators that do not require the removal of transportation clips or brackets.
- Units shall be constructed with scroll compressors.
- Outdoor fan shall be direct drive with vertical air discharge for low sound levels.
- Outdoor fan blades shall be swept-wing to minimize sound.
- Outdoor fan motor shall be totally enclosed with permanently lubricated ball bearings motors approved for vertical shaft applications.
- Outdoor fan motor shall be ECM construction with permanently lubricated ball bearing motors approved for vertical shaft applications.
- Outdoor coil shall be air cooled and constructed of enhanced aluminum fins mechanically bonded to internally enhanced Ø 7mm copper tubing.

UNIT WARRANTIES

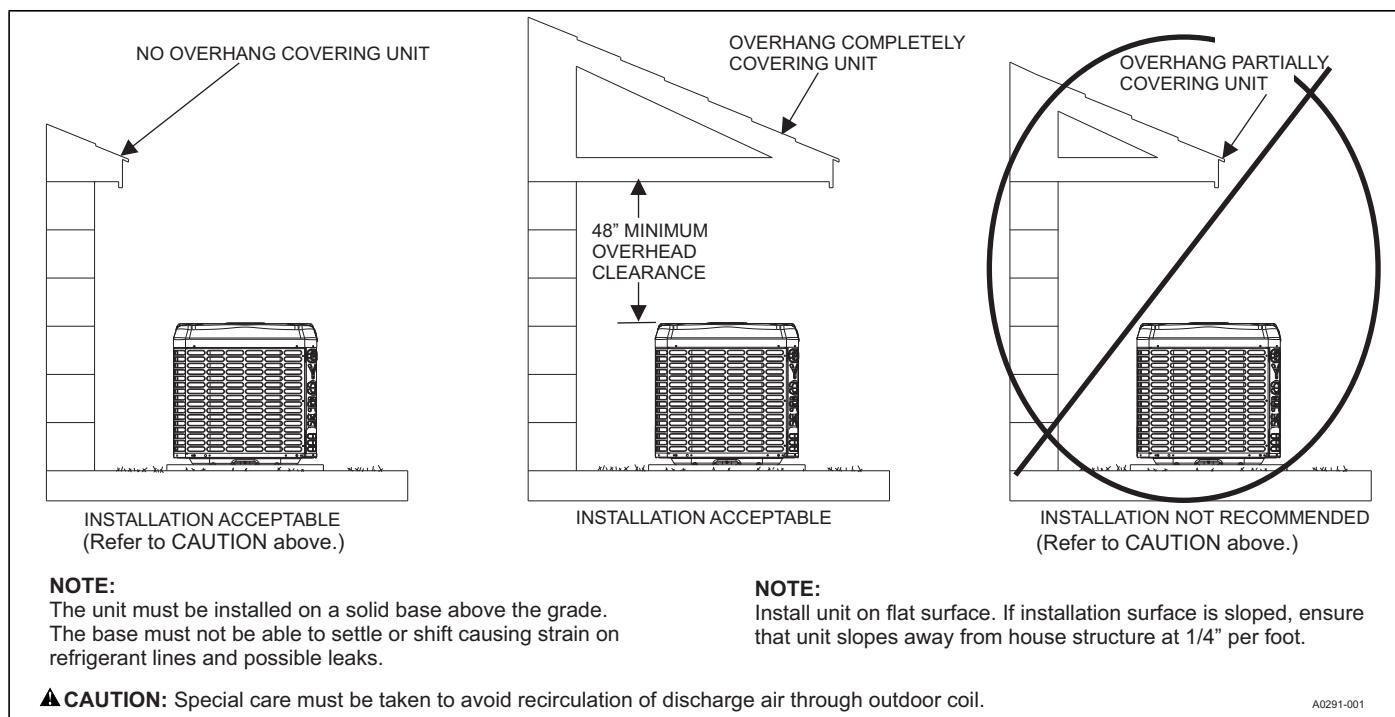
- Unit manufacturer shall provide a 10-Year compressor warranty without a requirement for unit registration.
- Unit manufacturer shall provide a Limited Lifetime compressor warranty with unit registration.

TYPICAL INSTALLATION

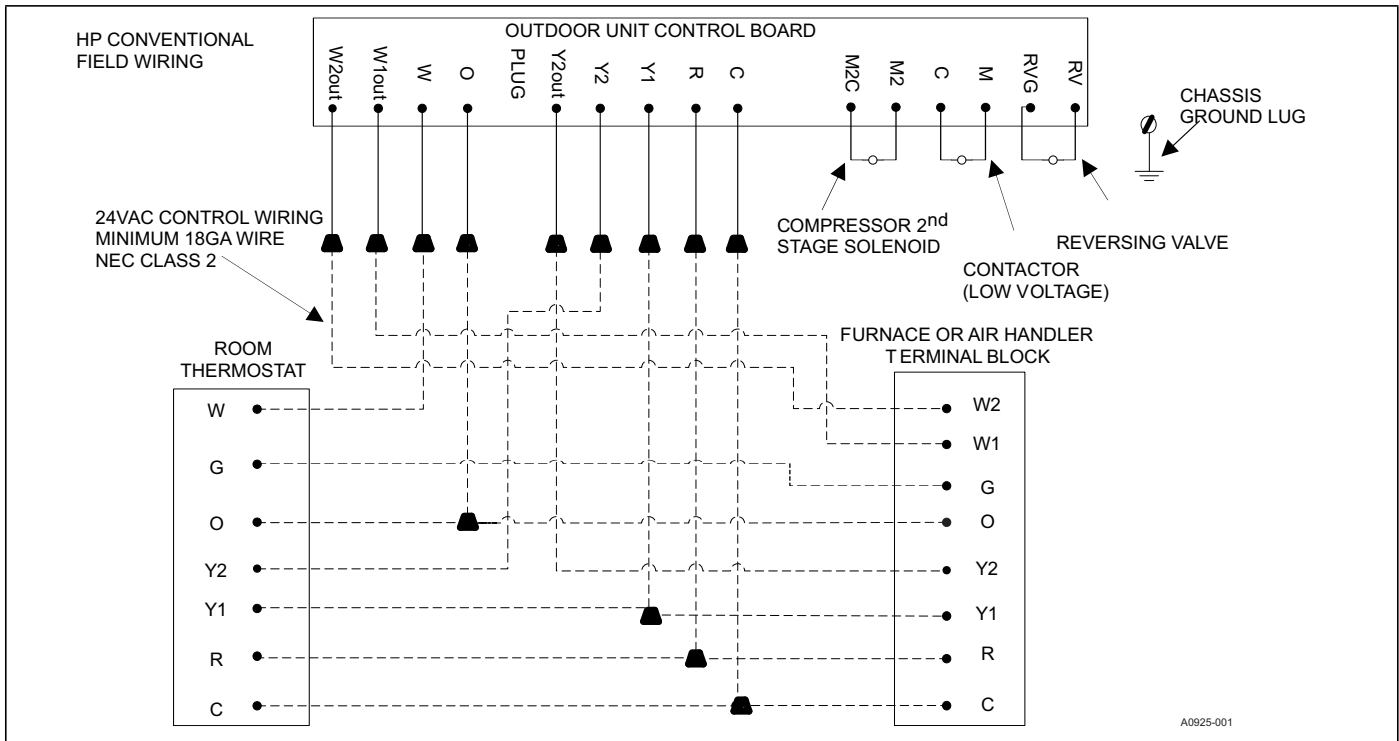


CAUTION

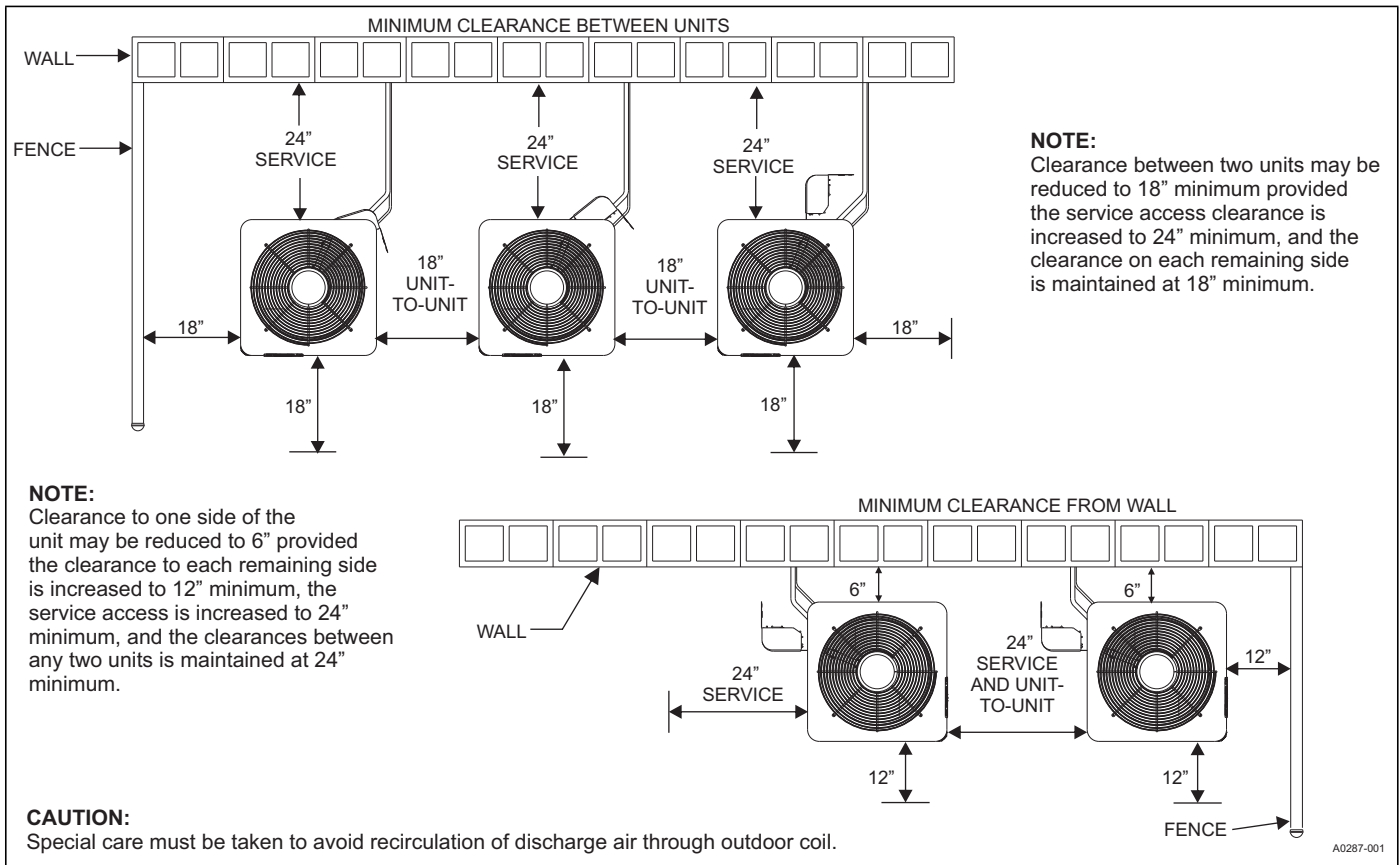
Care must be taken to prevent ice from damaging the unit. Damage may occur from ice falling onto unit from a sloped roof or from a vertical drip line due to a partial overhang.



TYPICAL FIELD WIRING



ALTERNATIVE INSTALLATION CLEARANCES



PERFORMANCE DATA - 2 TON

CONDENSER-ONLY DATA (OUTDOOR UNIT)																
MODEL	SATURATED SUCTION @ COMPRESSOR		Outdoor Ambient Temperature													
			65 °F		75 °F		85 °F		95 °F		105 °F		115 °F		125 °F	
	T (°F)	P (PSIG)	MBH	KW	MBH	KW	MBH	KW	MBH	KW	MBH	KW	MBH	KW	MBH	KW
YZT24B21S	35	107.4	21.20	1.13	19.88	1.22	18.57	1.32	17.25	1.42	15.93	1.52	14.62	1.62	13.30	1.72
	40	118.6	23.47	1.12	22.01	1.22	20.56	1.33	19.10	1.44	17.64	1.54	16.19	1.65	14.73	1.75
	45	130.4	25.74	1.11	24.14	1.23	22.54	1.34	20.95	1.45	19.35	1.56	17.76	1.68	16.16	1.79
	50	143.0	28.00	1.11	26.27	1.23	24.53	1.35	22.80	1.47	21.06	1.59	19.33	1.71	17.60	1.83
	55	156.3	30.27	1.10	28.40	1.23	26.52	1.35	24.65	1.48	22.78	1.61	20.90	1.74	19.03	1.87
	60	170.3	32.54	1.09	30.52	1.23	28.51	1.36	26.50	1.50	24.49	1.63	22.47	1.77	20.46	1.90

Notes:

- For Outdoor Unit (Condenser) performance only. Data does not include the effects of air handler power or heat.
- Performance based on 15°F subcooling and 15°F superheat at the Outdoor Unit base valves.
 - Increase capacity by 1% for each 2°F increase in subcooling.
 - Decrease capacity by 1% for each 2°F decrease in subcooling.
- Maximum recommended condensing temperature is 140°F.

COOLING PERFORMANCE DATA																
AIR CONDITIONER MODEL NO.		YZT24B21S														
AIR TEMP. ENTERING OUTDOOR UNIT (°F)	IDCFM	650					850					1050				
	ID DB (°F)	80	80	75	80	80	80	80	75	80	80	80	80	75	80	80
	ID WB (°F)	57	62	62	67	72	57	62	62	67	72	57	62	62	67	72
65	T.C.	22.5	24.2	24.3	26.9	29.3	24.3	25.3	25.5	27.9	30.2	26.0	26.4	26.7	28.8	31.2
	S.C.	22.2	20.4	17.3	17.2	13.5	24.0	23.5	19.6	19.5	14.8	25.9	26.4	22.0	21.7	16.1
	KW	1.14	1.13	1.13	1.14	1.15	1.21	1.21	1.20	1.21	1.22	1.28	1.28	1.28	1.28	1.29
75	T.C.	21.8	23.4	23.3	26.0	28.1	23.5	24.3	24.4	27.0	29.2	25.2	25.2	25.4	27.9	30.3
	S.C.	21.6	19.9	16.9	16.8	13.0	23.3	22.7	19.1	19.0	14.4	25.1	25.2	21.4	21.3	15.7
	KW	1.29	1.28	1.28	1.28	1.28	1.35	1.35	1.35	1.35	1.35	1.42	1.42	1.42	1.42	1.42
85	T.C.	21.2	22.5	22.3	25.1	26.9	22.8	23.2	23.2	26.1	28.2	24.4	24.0	24.1	27.1	29.5
	S.C.	21.0	19.5	16.4	16.3	12.6	22.6	22.0	18.6	18.6	14.0	24.3	24.0	20.8	20.9	15.4
	KW	1.43	1.43	1.42	1.42	1.41	1.50	1.49	1.49	1.49	1.48	1.56	1.56	1.56	1.56	1.55
95	T.C.	20.3	21.1	21.3	23.6	25.7	21.7	22.0	22.3	24.6	27.0	23.2	23.0	23.4	25.6	28.2
	S.C.	20.1	18.8	15.9	15.8	12.2	21.6	21.5	18.2	18.0	13.6	23.1	23.0	20.4	20.3	15.0
	KW	1.57	1.57	1.57	1.57	1.56	1.64	1.64	1.64	1.64	1.63	1.71	1.71	1.71	1.71	1.70
105	T.C.	19.4	19.7	20.3	22.1	24.5	20.7	20.8	21.5	23.1	25.7	22.0	22.0	22.7	24.0	27.0
	S.C.	19.3	18.2	15.4	15.2	11.8	20.6	20.8	17.7	17.5	13.2	22.0	22.0	20.1	19.8	14.6
	KW	1.72	1.72	1.72	1.72	1.71	1.79	1.79	1.79	1.79	1.77	1.86	1.87	1.86	1.86	1.84
115	T.C.	18.6	18.8	19.0	21.1	23.3	19.9	19.8	20.1	22.0	24.4	21.1	20.9	21.2	22.9	25.5
	S.C.	18.5	17.7	14.9	14.9	11.4	19.8	19.8	17.1	17.1	12.8	21.1	20.9	19.3	19.3	14.1
	KW	1.89	1.89	1.89	1.89	1.88	1.96	1.97	1.96	1.96	1.95	2.03	2.04	2.03	2.03	2.02
125	T.C.	17.9	17.9	17.7	20.2	22.1	19.0	18.9	18.8	21.0	23.0	20.1	19.8	19.8	21.8	23.9
	S.C.	17.8	17.3	14.4	14.5	11.0	19.0	18.9	16.5	16.7	12.3	20.1	19.8	18.6	18.8	13.5
	KW	2.07	2.07	2.07	2.07	2.06	2.14	2.14	2.14	2.14	2.13	2.21	2.21	2.21	2.21	2.20

NOTE: ALL CAPACITIES INCLUDE INDOOR FAN HEAT. KW VALUES ARE FOR THE SYSTEM (OUTDOOR + INDOOR).

Green shaded cells are ACCA (TVA) conditions.

Blue shaded cells are AHRI conditions.

Multipliers for determining the performance with other indoor sections.

NOTE: For dry bulb temperatures different than those listed (between 73-87 °F), sensible capacity increases by 1060 BTUH per 1000 CFM per degree above the listed temperature and decreases by 1060 BTUH per 1000 CFM per degree below the listed temperature.

COIL MULTIPLIERS - 2 TON

Air Handler	Coil	T.C.	S.C.	KW
AE24BX21	–	0.95	1.15	1.05
AE30BX21	–	0.96	1.06	1.03
AE36CX21	–	1.02	1.06	1.02
AVC24BX21	–	0.94	1.16	1.05
AVC30BX21	–	0.97	1.12	1.04
AVC36BX21	–	1.01	1.10	1.08
AVC36CX21	–	1.02	1.05	1.02
ME08BN21	CF/CM24B	0.93	1.15	1.04
ME08BN21	CF/CM30B	0.97	1.09	1.04
ME08BN21	CF/CM36B	1.00	1.03	1.07
ME12BN21	CF/CM24B	0.95	1.17	1.02
ME12BN21	CF/CM30B	0.97	1.13	1.04
ME12BN21	CF/CM36B	1.01	1.07	1.08
ME12CN21	CF/CM24C	0.95	1.15	1.02
ME12CN21	CF/CM30C	0.97	1.12	1.04
ME12CN21	CF/CM36C	1.01	1.06	1.01
MVC08BN21	CF/CM24B	0.93	1.15	1.04
MVC08BN21	CF/CM30B	0.97	1.09	1.04
MVC08BN21	CF/CM36B	1.00	1.03	1.07
MVC12BN21	CF/CM24B	0.95	1.17	1.05
MVC12BN21	CF/CM30B	0.97	1.13	1.04
MVC12BN21	CF/CM36B	1.01	1.07	1.08
MVC12CN21	CF/CM24C	0.95	1.17	1.02
MVC12CN21	CF/CM30C	0.97	1.13	1.08
MVC12CN21	CF/CM36C	1.00	1.00	1.00

FURNACE MULTIPLIERS - 2 TON

Furnaces	Coil	T.C.	S.C.	KW
TM8V060A12MP12C	CF/CM/CU24A	0.92	1.16	1.07
TM8V060A12MP12C	CF/CM/CU24B	0.94	1.18	1.05
TM8V060A12MP12C	CF/CM/CU30A	0.96	1.15	1.10
TM8V060A12MP12C	CF/CM/CU30B	0.97	1.14	1.07
TM8V060A12MP12C	CF/CM/CU36B	1.00	1.08	1.07
TM8V060A12MP12C	CF/CM36A	1.00	1.08	1.07
TM8V080B12MP12C	CF/CM/CU24C	0.94	1.18	1.09
TM8V080B12MP12C	CF/CM/CU30B	0.96	1.11	1.10
TM8V080B12MP12C	CF/CM/CU30C	0.96	1.11	1.06
TM8V080B12MP12C	CF/CM/CU36B	0.99	1.06	1.06
TM8V080B12MP12C	CF/CM/CU36C	1.00	1.05	1.07
TM8V080C16MP12C	CF/CM/CU24C	0.95	1.17	1.05
TM8V080C16MP12C	CF/CM/CU30C	0.97	1.14	1.04
TM8V080C16MP12C	CF/CM/CU36C	1.01	1.07	1.08
TM8V100C16MP12C	CF/CM/CU24C	0.95	1.17	1.05
TM8V100C16MP12C	CF/CM/CU30C	0.97	1.14	1.04
TM8V100C16MP12C	CF/CM/CU36C	1.01	1.07	1.08
TM9E040A10MP11	CF/CM/CU24A	0.91	1.16	1.13
TM9E040A10MP11	CF/CM/CU24B	0.92	1.17	1.15
TM9E040A10MP11	CF/CM/CU30A	0.93	1.12	1.17
TM9E040A10MP11	CF/CM/CU30B	0.95	1.13	1.14
TM9E040A10MP11	CF/CM/CU36B	0.98	1.07	1.13
TM9E040A10MP11	CF/CM36A	0.97	1.04	1.12
TM9E080B12MP11	CF/CM/CU30B	0.97	1.15	1.11
TM9E080B12MP11	CF/CM/CU36B	1.01	1.09	1.08
TM9V060B12MP12C	CF/CM/CU24B	0.92	1.14	1.07
TM9V060B12MP12C	CF/CM/CU24C	0.92	1.14	1.07

FURNACE MULTIPLIERS - 2 TON (Continued)

Furnaces	Coil	T.C.	S.C.	KW
TM9V060B12MP12C	CF/CM/CU30B	0.96	1.15	1.10
TM9V060B12MP12C	CF/CM/CU30C	0.97	1.14	1.07
TM9V060B12MP12C	CF/CM/CU36B	1.00	1.08	1.07
TM9V060B12MP12C	CF/CM/CU36C	1.00	1.08	1.07
TM9V080B12MP12C	CF/CM/CU24B	0.94	1.18	1.05
TM9V080B12MP12C	CF/CM/CU24C	0.94	1.16	1.05
TM9V080B12MP12C	CF/CM/CU30B	0.96	1.10	1.06
TM9V080B12MP12C	CF/CM/CU30C	0.97	1.12	1.07
TM9V080B12MP12C	CF/CM/CU36B	1.00	1.07	1.07
TM9V080B12MP12C	CF/CM/CU36C	1.00	1.06	1.07
TM9V100C16MP12C	CF/CM/CU30C	0.97	1.15	1.04
TM9V100C16MP12C	CF/CM/CU36C	1.01	1.09	1.08
TM9Y040A10MP11	CF/CM/CU24A	0.91	1.16	1.13
TM9Y040A10MP11	CF/CM/CU24B	0.92	1.17	1.15
TM9Y040A10MP11	CF/CM/CU30A	0.93	1.12	1.17
TM9Y040A10MP11	CF/CM/CU30B	0.95	1.13	1.14
TM9Y040A10MP11	CF/CM/CU36B	0.98	1.07	1.13
TM9Y040A10MP11	CF/CM36A	0.97	1.04	1.12
TM9Y080B12MP11	CF/CM/CU30B	0.97	1.15	1.11
TM9Y080B12MP11	CF/CM/CU36B	1.01	1.09	1.08
TMLV060A12MP12C	CF/CM/CU24A	0.92	1.16	1.07
TMLV060A12MP12C	CF/CM/CU24B	0.94	1.18	1.05
TMLV060A12MP12C	CF/CM/CU30A	0.96	1.15	1.10
TMLV060A12MP12C	CF/CM/CU30B	0.97	1.14	1.07
TMLV060A12MP12C	CF/CM/CU36B	1.00	1.08	1.07
TMLV060A12MP12C	CF/CM36A	1.00	1.08	1.07
TMLV080B12MP12C	CF/CM/CU24C	0.94	1.18	1.09
TMLV080B12MP12C	CF/CM/CU30B	0.96	1.11	1.10
TMLV080B12MP12C	CF/CM/CU30C	0.96	1.11	1.06
TMLV080B12MP12C	CF/CM/CU36B	0.99	1.06	1.06
TMLV080B12MP12C	CF/CM/CU36C	1.00	1.05	1.07
TMLV080C16MP12C	CF/CM/CU24C	0.95	1.17	1.05
TMLV080C16MP12C	CF/CM/CU30C	0.97	1.14	1.04
TMLV080C16MP12C	CF/CM/CU36C	1.01	1.07	1.08
TMLV100C16MP12C	CF/CM/CU24C	0.95	1.17	1.05
TMLV100C16MP12C	CF/CM/CU30C	0.97	1.14	1.04
TMLV100C16MP12C	CF/CM/CU36C	1.01	1.07	1.08
TP9C060B12MP13C	CF/CM/CU24B	0.92	1.14	1.07
TP9C060B12MP13C	CF/CM/CU24C	0.92	1.14	1.07
TP9C060B12MP13C	CF/CM/CU30B	0.96	1.15	1.10
TP9C060B12MP13C	CF/CM/CU30C	0.97	1.14	1.07
TP9C060B12MP13C	CF/CM/CU36B	1.00	1.08	1.07
TP9C060B12MP13C	CF/CM/CU36C	1.00	1.08	1.07
TP9C080B12MP13C	CF/CM/CU24B	0.94	1.18	1.05
TP9C080B12MP13C	CF/CM/CU24C	0.94	1.16	1.05
TP9C080B12MP13C	CF/CM/CU30B	0.96	1.10	1.06
TP9C080B12MP13C	CF/CM/CU30C	0.97	1.12	1.07
TP9C080B12MP13C	CF/CM/CU36B	1.00	1.07	1.07
TP9C080B12MP13C	CF/CM/CU36C	1.00	1.06	1.07
TP9C100C16MP13C	CF/CM/CU30C	0.97	1.15	1.04
TP9C100C16MP13C	CF/CM/CU36C	1.01	1.09	1.08
TPLC060A12MP13C	CF/CM/CU24A	0.92	1.16	1.07
TPLC060A12MP13C	CF/CM/CU24B	0.94	1.18	1.05
TPLC060A12MP13C	CF/CM/CU30A	0.96	1.15	1.10
TPLC060A12MP13C	CF/CM/CU30B	0.97	1.14	1.07

FURNACE MULTIPLIERS - 2 TON (Continued)

Furnaces	Coil	T.C.	S.C.	KW
TPLC060A12MP13C	CF/CM/CU36B	1.00	1.08	1.07
TPLC060A12MP13C	CF/CM36A	1.00	1.08	1.07
TPLC080B12MP13C	CF/CM/CU24C	0.94	1.18	1.09
TPLC080B12MP13C	CF/CM/CU30B	0.96	1.11	1.10
TPLC080B12MP13C	CF/CM/CU30C	0.96	1.11	1.06
TPLC080B12MP13C	CF/CM/CU36B	0.99	1.06	1.06
TPLC080B12MP13C	CF/CM/CU36C	1.00	1.05	1.07
TPLC080C16MP13C	CF/CM/CU24C	0.95	1.17	1.05
TPLC080C16MP13C	CF/CM/CU30C	0.97	1.14	1.04
TPLC080C16MP13C	CF/CM/CU36C	1.01	1.07	1.08
TPLC100C16MP13C	CF/CM/CU24C	0.95	1.17	1.05
TPLC100C16MP13C	CF/CM/CU30C	0.97	1.14	1.04
TPLC100C16MP13C	CF/CM/CU36C	1.01	1.07	1.08
YP9C060B12MP13C	CF/CM/CU24B	0.92	1.14	1.07
YP9C060B12MP13C	CF/CM/CU24C	0.92	1.14	1.07
YP9C060B12MP13C	CF/CM/CU30B	0.96	1.15	1.10
YP9C060B12MP13C	CF/CM/CU30C	0.97	1.14	1.07
YP9C060B12MP13C	CF/CM/CU36B	1.00	1.08	1.07
YP9C060B12MP13C	CF/CM/CU36C	1.00	1.08	1.07
YP9C060B12MP13C	CF/CM/CU36C	1.00	1.08	1.07
YP9C080B12MP13C	CF/CM/CU24B	0.94	1.18	1.05
YP9C080B12MP13C	CF/CM/CU24C	0.94	1.16	1.05
YP9C080B12MP13C	CF/CM/CU30B	0.96	1.10	1.06
YP9C080B12MP13C	CF/CM/CU30C	0.97	1.12	1.07

FURNACE MULTIPLIERS - 2 TON (Continued)

Furnaces	Coil	T.C.	S.C.	KW
YP9C080B12MP13C	CF/CM/CU36B	1.00	1.07	1.07
YP9C080B12MP13C	CF/CM/CU36C	1.00	1.06	1.07
YP9C100C16MP13C	CF/CM/CU30C	0.97	1.15	1.04
YP9C100C16MP13C	CF/CM/CU36C	1.01	1.09	1.08
YPLC060A12MP13C	CF/CM/CU24A	0.92	1.16	1.07
YPLC060A12MP13C	CF/CM/CU24B	0.94	1.18	1.05
YPLC060A12MP13C	CF/CM/CU30A	0.96	1.15	1.10
YPLC060A12MP13C	CF/CM/CU30B	0.97	1.14	1.07
YPLC060A12MP13C	CF/CM/CU36B	1.00	1.08	1.07
YPLC060A12MP13C	CF/CM36A	1.00	1.08	1.07
YPLC080B12MP13C	CF/CM/CU24C	0.94	1.18	1.09
YPLC080B12MP13C	CF/CM/CU30B	0.96	1.11	1.10
YPLC080B12MP13C	CF/CM/CU30C	0.96	1.11	1.06
YPLC080B12MP13C	CF/CM/CU36B	0.99	1.06	1.06
YPLC080B12MP13C	CF/CM/CU36C	1.00	1.05	1.07
YPLC080C16MP13C	CF/CM/CU24C	0.95	1.17	1.05
YPLC080C16MP13C	CF/CM/CU30C	0.97	1.14	1.04
YPLC080C16MP13C	CF/CM/CU36C	1.01	1.07	1.08
YPLC100C16MP13C	CF/CM/CU24C	0.95	1.17	1.05
YPLC100C16MP13C	CF/CM/CU30C	0.97	1.14	1.04
YPLC100C16MP13C	CF/CM/CU36C	1.01	1.07	1.08

HEATING PERFORMANCE DATA

CONDENSING UNIT MODEL NO		YZT24B21S								
AIR TEMP. ENTERING OUTDOOR UNIT (°F)	AIR TEMP. ENTERING INDOOR COIL (°F)	ID CFM								
		650			850			1050		
		MBH	COP	KW	MBH	COP	KW	MBH	COP	KW
60	60	27.7	4.48	1.81	28.5	4.73	1.76	29.2	4.99	1.72
	70	26.9	3.99	1.99	27.5	4.22	1.93	28.2	4.46	1.87
	80	26.0	3.50	2.18	26.6	3.71	2.11	27.2	3.92	2.03
47	60	23.2	3.94	1.73	24.0	4.12	1.71	24.8	4.31	1.69
	70	22.8	3.54	1.91	23.5	3.70	1.88	24.1	3.87	1.84
	80	22.4	3.15	2.08	22.9	3.28	2.04	23.4	3.42	2.00
40	60	21.4	3.72	1.69	21.3	4.23	1.50	21.2	4.74	1.31
	70	20.7	3.30	1.86	20.7	3.73	1.67	20.6	4.16	1.47
	80	20.1	2.88	2.04	20.0	3.24	1.84	20.0	3.59	1.63
30	60	17.6	3.17	1.63	18.0	3.66	1.46	18.4	4.16	1.29
	70	17.7	2.90	1.81	17.7	3.27	1.63	17.7	3.64	1.45
	80	17.8	2.64	1.98	17.4	2.88	1.79	17.0	3.12	1.60
17	60	12.6	2.28	1.62	14.8	2.66	1.62	16.9	3.05	1.62
	70	13.6	2.27	1.75	15.0	2.50	1.76	16.4	2.73	1.77
	80	14.5	2.26	1.88	15.2	2.34	1.90	15.9	2.41	1.93
10	60	13.1	2.46	1.56	13.7	2.52	1.59	14.28	2.59	1.61
	70	13.1	2.26	1.71	13.6	2.31	1.73	14.0	2.37	1.75
	80	13.1	2.06	1.86	13.4	2.10	1.87	13.8	2.14	1.89

NOTE: ALL CAPACITIES INCLUDE INDOOR FAN HEAT. KW VALUES ARE FOR THE SYSTEM (OUTDOOR + INDOOR).

Yellow shaded cells are AHRI High Heating conditions.

Orange shaded cells are AHRI Low Heating conditions.

Multipliers for determining the performance with other indoor sections.

COIL MULTIPLIERS - 2 TON

Air Handler	Coil	MBH	COP	KW
AE24BX21	-	0.97	0.97	1.06
AE30BX21	-	0.97	0.95	1.08
AE36CX21	-	1.00	1.02	0.98
AVC24BX21	-	0.97	0.97	1.06
AVC30BX21	-	0.97	0.97	1.06
AVC36BX21	-	0.99	1.00	1.01
AVC36CX21	-	1.02	0.99	1.00
ME08BN21	CF/CM24B	0.97	0.95	1.08
ME08BN21	CF/CM30B	0.97	0.96	1.07
ME08BN21	CF/CM36B	0.99	0.99	1.02
ME12BN21	CF/CM24B	0.97	0.98	1.05
ME12BN21	CF/CM30B	0.97	0.98	1.05
ME12BN21	CF/CM36B	0.99	1.00	1.00
ME12CN21	CF/CM24C	0.94	0.84	1.26
ME12CN21	CF/CM30C	0.97	0.96	1.08
ME12CN21	CF/CM36C	1.02	0.98	1.00
MVC08BN21	CF/CM24B	0.97	0.95	1.08
MVC08BN21	CF/CM30B	0.97	0.96	1.07
MVC08BN21	CF/CM36B	1.00	0.99	1.01
MVC12BN21	CF/CM24B	0.97	0.98	1.05
MVC12BN21	CF/CM30B	0.97	0.97	1.06
MVC12BN21	CF/CM36B	0.99	1.00	1.00
MVC12CN21	CF/CM24C	0.98	0.99	1.03
MVC12CN21	CF/CM30C	0.97	0.99	1.04
MVC12CN21	CF/CM36C	1.00	1.00	1.00

FURNACE MULTIPLIERS - 2 TON

Furnaces	Coil	T.C.	S.C.	KW
TM8V060A12MP12C	CF/CM/CU24A	0.97	0.93	1.11
TM8V060A12MP12C	CF/CM/CU24B	0.97	0.96	1.07
TM8V060A12MP12C	CF/CM/CU30A	0.96	0.94	1.11
TM8V060A12MP12C	CF/CM/CU30B	0.97	0.96	1.08
TM8V060A12MP12C	CF/CM/CU36B	0.98	0.99	1.03
TM8V060A12MP12C	CF/CM36A	0.98	0.97	1.05
TM8V080B12MP12C	CF/CM/CU24C	0.97	0.95	1.09
TM8V080B12MP12C	CF/CM/CU30B	0.97	0.94	1.10
TM8V080B12MP12C	CF/CM/CU30C	0.97	0.94	1.10
TM8V080B12MP12C	CF/CM/CU36B	0.98	0.97	1.05
TM8V080B12MP12C	CF/CM/CU36C	0.99	0.98	1.03
TM8V080C16MP12C	CF/CM/CU24C	0.97	0.97	1.06
TM8V080C16MP12C	CF/CM/CU30C	0.97	0.97	1.07
TM8V080C16MP12C	CF/CM/CU36C	0.99	1.00	1.01
TM8V100C16MP12C	CF/CM/CU24C	0.97	0.97	1.06
TM8V100C16MP12C	CF/CM/CU30C	0.97	0.97	1.07
TM8V100C16MP12C	CF/CM/CU36C	0.99	1.00	1.01
TM9E040A10MP11	CF/CM/CU24A	0.95	0.89	1.18
TM9E040A10MP11	CF/CM/CU24B	0.96	0.91	1.15
TM9E040A10MP11	CF/CM/CU30A	0.95	0.89	1.19
TM9E040A10MP11	CF/CM/CU30B	0.96	0.91	1.15
TM9E040A10MP11	CF/CM/CU36B	0.97	0.94	1.10
TM9E040A10MP11	CF/CM36A	0.97	0.93	1.11
TM9E080B12MP11	CF/CM/CU30B	0.97	0.95	1.09
TM9E080B12MP11	CF/CM/CU36B	0.98	0.98	1.04
TM9V060B12MP12C	CF/CM/CU24B	0.97	0.93	1.11
TM9V060B12MP12C	CF/CM/CU24C	0.97	0.93	1.11

FURNACE MULTIPLIERS - 2 TON (Continued)

Furnaces	Coil	T.C.	S.C.	KW
TM9V060B12MP12C	CF/CM/CU30B	0.96	0.95	1.10
TM9V060B12MP12C	CF/CM/CU30C	0.97	0.95	1.09
TM9V060B12MP12C	CF/CM/CU36B	0.98	0.97	1.05
TM9V060B12MP12C	CF/CM/CU36C	0.98	0.98	1.04
TM9V080B12MP12C	CF/CM/CU24B	0.97	0.96	1.07
TM9V080B12MP12C	CF/CM/CU24C	0.97	0.96	1.07
TM9V080B12MP12C	CF/CM/CU30B	0.97	0.95	1.09
TM9V080B12MP12C	CF/CM/CU30C	0.97	0.96	1.08
TM9V080B12MP12C	CF/CM/CU36B	0.98	0.98	1.04
TM9V080B12MP12C	CF/CM/CU36C	0.99	0.99	1.02
TM9V100C16MP12C	CF/CM/CU30C	0.97	0.97	1.06
TM9V100C16MP12C	CF/CM/CU36C	0.99	1.00	1.00
TM9Y040A10MP11	CF/CM/CU24A	0.95	0.89	1.18
TM9Y040A10MP11	CF/CM/CU24B	0.96	0.91	1.15
TM9Y040A10MP11	CF/CM/CU30A	0.95	0.89	1.19
TM9Y040A10MP11	CF/CM/CU30B	0.96	0.91	1.15
TM9Y040A10MP11	CF/CM/CU36B	0.97	0.94	1.10
TM9Y040A10MP11	CF/CM36A	0.97	0.93	1.11
TM9Y080B12MP11	CF/CM/CU30B	0.97	0.95	1.09
TM9Y080B12MP11	CF/CM/CU36B	0.98	0.98	1.04
TMLV060A12MP12C	CF/CM/CU24A	0.97	0.93	1.11
TMLV060A12MP12C	CF/CM/CU24B	0.97	0.96	1.07
TMLV060A12MP12C	CF/CM/CU30A	0.96	0.94	1.11
TMLV060A12MP12C	CF/CM/CU30B	0.97	0.96	1.08
TMLV060A12MP12C	CF/CM/CU36B	0.98	0.99	1.03
TMLV060A12MP12C	CF/CM36A	0.98	0.97	1.05
TMLV080B12MP12C	CF/CM/CU24C	0.97	0.95	1.09
TMLV080B12MP12C	CF/CM/CU30B	0.97	0.94	1.10
TMLV080B12MP12C	CF/CM/CU30C	0.97	0.94	1.10
TMLV080B12MP12C	CF/CM/CU36B	0.98	0.97	1.05
TMLV080B12MP12C	CF/CM/CU36C	0.99	0.98	1.03
TMLV080C16MP12C	CF/CM/CU24C	0.97	0.97	1.06
TMLV080C16MP12C	CF/CM/CU30C	0.97	0.97	1.07
TMLV080C16MP12C	CF/CM/CU36C	0.99	1.00	1.01
TMLV100C16MP12C	CF/CM/CU24C	0.97	0.97	1.06
TMLV100C16MP12C	CF/CM/CU30C	0.97	0.97	1.07
TMLV100C16MP12C	CF/CM/CU36C	0.99	1.00	1.01
TP9C060B12MP13C	CF/CM/CU24B	0.97	0.93	1.11
TP9C060B12MP13C	CF/CM/CU24C	0.97	0.93	1.11
TP9C060B12MP13C	CF/CM/CU30B	0.96	0.95	1.10
TP9C060B12MP13C	CF/CM/CU30C	0.97	0.95	1.09
TP9C060B12MP13C	CF/CM/CU36B	0.98	0.97	1.05
TP9C060B12MP13C	CF/CM/CU36C	0.98	0.98	1.04
TP9C080B12MP13C	CF/CM/CU24B	0.97	0.96	1.07
TP9C080B12MP13C	CF/CM/CU24C	0.97	0.96	1.07
TP9C080B12MP13C	CF/CM/CU30B	0.97	0.95	1.09
TP9C080B12MP13C	CF/CM/CU30C	0.97	0.96	1.08
TP9C080B12MP13C	CF/CM/CU36B	0.98	0.98	1.04
TP9C080B12MP13C	CF/CM/CU36C	0.99	0.99	1.02
TP9C100C16MP13C	CF/CM/CU30C	0.97	0.97	1.06
TP9C100C16MP13C	CF/CM/CU36C	0.99	1.00	1.00
TPLC060A12MP13C	CF/CM/CU24A	0.97	0.93	1.11
TPLC060A12MP13C	CF/CM/CU24B	0.97	0.96	1.07
TPLC060A12MP13C	CF/CM/CU30A	0.96	0.94	1.11
TPLC060A12MP13C	CF/CM/CU30B	0.97	0.96	1.08

FURNACE MULTIPLIERS - 2 TON (Continued)

Furnaces	Coil	T.C.	S.C.	KW
TPLC060A12MP13C	CF/CM/CU36B	0.98	0.99	1.03
TPLC060A12MP13C	CF/CM/36A	0.98	0.97	1.05
TPLC080B12MP13C	CF/CM/CU24C	0.97	0.95	1.09
TPLC080B12MP13C	CF/CM/CU30B	0.97	0.94	1.10
TPLC080B12MP13C	CF/CM/CU30C	0.97	0.94	1.10
TPLC080B12MP13C	CF/CM/CU36B	0.98	0.97	1.05
TPLC080B12MP13C	CF/CM/CU36C	0.99	0.98	1.03
TPLC080C16MP13C	CF/CM/CU24C	0.97	0.97	1.06
TPLC080C16MP13C	CF/CM/CU30C	0.97	0.97	1.07
TPLC080C16MP13C	CF/CM/CU36C	0.99	1.00	1.01
TPLC100C16MP13C	CF/CM/CU24C	0.97	0.97	1.06
TPLC100C16MP13C	CF/CM/CU30C	0.97	0.97	1.07
TPLC100C16MP13C	CF/CM/CU36C	0.99	1.00	1.01
YP9C060B12MP13C	CF/CM/CU24B	0.97	0.93	1.11
YP9C060B12MP13C	CF/CM/CU24C	0.97	0.93	1.11
YP9C060B12MP13C	CF/CM/CU30B	0.96	0.95	1.10
YP9C060B12MP13C	CF/CM/CU30C	0.97	0.95	1.09
YP9C060B12MP13C	CF/CM/CU36B	0.98	0.97	1.05
YP9C060B12MP13C	CF/CM/CU36C	0.98	0.98	1.04
YP9C060B12MP13C	CF/CM/CU36C	0.98	0.98	1.04
YP9C080B12MP13C	CF/CM/CU24B	0.97	0.96	1.07
YP9C080B12MP13C	CF/CM/CU24C	0.97	0.96	1.07
YP9C080B12MP13C	CF/CM/CU30B	0.97	0.95	1.09
YP9C080B12MP13C	CF/CM/CU30C	0.97	0.96	1.08

FURNACE MULTIPLIERS - 2 TON (Continued)

Furnaces	Coil	T.C.	S.C.	KW
YP9C080B12MP13C	CF/CM/CU36B	0.98	0.98	1.04
YP9C080B12MP13C	CF/CM/CU36C	0.99	0.99	1.02
YP9C100C16MP13C	CF/CM/CU30C	0.97	0.97	1.06
YP9C100C16MP13C	CF/CM/CU36C	0.99	1.00	1.00
YPLC060A12MP13C	CF/CM/CU24A	0.97	0.93	1.11
YPLC060A12MP13C	CF/CM/CU24B	0.97	0.96	1.07
YPLC060A12MP13C	CF/CM/CU30A	0.96	0.94	1.11
YPLC060A12MP13C	CF/CM/CU30B	0.97	0.96	1.08
YPLC060A12MP13C	CF/CM/CU36B	0.98	0.99	1.03
YPLC060A12MP13C	CF/CM/36A	0.98	0.97	1.05
YPLC080B12MP13C	CF/CM/CU24C	0.97	0.95	1.09
YPLC080B12MP13C	CF/CM/CU30B	0.97	0.94	1.10
YPLC080B12MP13C	CF/CM/CU30C	0.97	0.94	1.10
YPLC080B12MP13C	CF/CM/CU36B	0.98	0.97	1.05
YPLC080B12MP13C	CF/CM/CU36C	0.99	0.98	1.03
YPLC080B12MP13C	CF/CM/CU24C	0.97	0.97	1.06
YPLC080C16MP13C	CF/CM/CU30C	0.97	0.97	1.07
YPLC080C16MP13C	CF/CM/CU36C	0.99	1.00	1.01
YPLC100C16MP13C	CF/CM/CU24C	0.97	0.97	1.06
YPLC100C16MP13C	CF/CM/CU30C	0.97	0.97	1.07
YPLC100C16MP13C	CF/CM/CU36C	0.99	1.00	1.01

PERFORMANCE DATA - 3 TON

CONDENSER-ONLY DATA (OUTDOOR UNIT)																
MODEL	SATURATED SUCTION @ COMPRESSOR		Outdoor Ambient Temperature													
			65 °F		75 °F		85 °F		95 °F		105 °F		115 °F		125 °F	
	T (°F)	P (PSIG)	MBH	KW	MBH	KW	MBH	KW	MBH	KW	MBH	KW	MBH	KW	MBH	KW
YZT36B21S	35	107.4	27.75	1.50	28.62	1.70	29.48	1.89	30.35	2.09	31.21	2.28	32.08	2.48	32.94	2.68
	40	118.6	32.73	1.52	32.56	1.72	32.38	1.93	32.21	2.13	32.03	2.34	31.86	2.54	31.68	2.75
	45	130.4	37.71	1.54	36.50	1.75	35.28	1.96	34.07	2.18	32.85	2.39	31.64	2.60	30.42	2.82
	50	143.0	42.69	1.56	40.44	1.78	38.18	2.00	35.93	2.22	33.67	2.44	31.42	2.67	29.16	2.89
	55	156.3	47.67	1.58	44.38	1.81	41.08	2.04	37.79	2.27	34.49	2.50	31.20	2.73	27.90	2.96
	60	170.3	52.65	1.59	48.32	1.83	43.98	2.07	39.65	2.31	35.31	2.55	30.98	2.79	26.64	3.03

Notes:

- For Outdoor Unit (Condenser) performance only. Data does not include the effects of air handler power or heat.
- Performance based on 15°F subcooling and 15°F superheat at the Outdoor Unit base valves.
 - Increase capacity by 1% for each 2°F increase in subcooling.
 - Decrease capacity by 1% for each 2°F decrease in subcooling.
- Maximum recommended condensing temperature is 140°F.

COOLING PERFORMANCE DATA																
AIR CONDITIONER MODEL NO.		YZT36B21S														
AIR TEMP. ENTERING OUTDOOR UNIT (°F)	IDCFM	950					1200					1450				
	ID DB (°F)	80	80	75	80	80	80	80	75	80	80	80	80	75	80	80
	ID WB (°F)	57	62	62	67	72	57	62	62	67	72	57	62	62	67	72
65	T.C.	32.5	35.3	35.7	38.7	40.7	34.4	36.6	37.0	39.4	41.0	36.3	37.9	38.3	40.1	41.2
	S.C.	32.5	29.7	25.2	24.7	18.7	34.4	32.8	27.7	26.1	19.1	36.3	36.0	30.3	27.5	19.5
	KW	1.75	1.76	1.76	1.78	1.78	1.86	1.87	1.86	1.88	1.88	1.96	1.97	1.96	1.97	1.97
75	T.C.	31.5	34.2	34.4	37.6	40.6	33.5	35.5	35.7	38.6	41.3	35.5	36.8	37.0	39.5	42.0
	S.C.	31.5	29.2	24.7	24.5	18.9	33.5	32.6	27.3	26.4	19.8	35.5	36.0	30.0	28.3	20.7
	KW	1.94	1.95	1.95	1.96	1.97	2.04	2.05	2.05	2.06	2.07	2.14	2.15	2.15	2.15	2.17
85	T.C.	30.5	33.1	33.2	36.6	40.4	32.7	34.4	34.5	37.7	41.6	34.8	35.7	35.7	38.9	42.8
	S.C.	30.5	28.8	24.2	24.2	19.1	32.7	32.4	26.9	26.6	20.5	34.8	35.7	29.6	29.1	21.9
	KW	2.13	2.13	2.13	2.14	2.16	2.23	2.23	2.23	2.24	2.26	2.33	2.33	2.33	2.34	2.36
95	T.C.	29.4	31.5	31.6	35.0	38.7	31.4	32.7	32.7	36.2	39.8	33.3	34.0	33.8	37.4	41.0
	S.C.	29.4	27.9	23.6	23.5	18.5	31.4	31.2	26.2	26.1	20.0	33.3	34.0	28.9	28.7	21.4
	KW	2.35	2.34	2.35	2.36	2.38	2.45	2.44	2.45	2.46	2.48	2.55	2.54	2.54	2.55	2.58
105	T.C.	28.2	29.8	30.0	33.4	36.9	30.0	31.0	31.0	34.6	38.0	31.9	32.2	32.0	35.9	39.2
	S.C.	28.2	27.0	22.9	22.7	17.9	30.0	30.1	25.5	25.5	19.4	31.9	32.2	28.2	28.4	21.0
	KW	2.57	2.56	2.57	2.57	2.60	2.67	2.65	2.66	2.67	2.70	2.77	2.75	2.76	2.77	2.80
115	T.C.	27.2	28.3	28.5	31.8	35.2	28.7	29.6	29.5	32.9	36.3	30.3	30.9	30.4	34.0	37.4
	S.C.	27.2	26.2	22.2	22.1	17.3	28.7	29.0	24.8	24.8	18.8	30.3	30.9	27.3	27.5	20.4
	KW	2.82	2.80	2.81	2.82	2.84	2.92	2.90	2.91	2.91	2.94	3.02	3.00	3.00	3.01	3.04
125	T.C.	26.1	26.9	27.0	30.1	33.6	27.4	28.2	27.9	31.2	34.6	28.7	29.5	28.8	32.2	35.6
	S.C.	26.1	25.4	21.5	21.5	16.7	27.4	27.9	24.0	24.1	18.2	28.7	29.5	26.5	26.7	19.8
	KW	3.06	3.05	3.05	3.06	3.08	3.16	3.15	3.15	3.16	3.18	3.26	3.24	3.25	3.25	3.28

NOTE: ALL CAPACITIES INCLUDE INDOOR FAN HEAT. KW VALUES ARE FOR THE SYSTEM (OUTDOOR + INDOOR).

Green shaded cells are ACCA (TVA) conditions.

Blue shaded cells are AHRI conditions.

Multipliers for determining the performance with other indoor sections.

NOTE: For dry bulb temperatures different than those listed (between 73-87 °F), sensible capacity increases by 1060 BTUH per 1000 CFM per degree above the listed temperature and decreases by 1060 BTUH per 1000 CFM per degree below the listed temperature.

COIL MULTIPLIERS - 3 TON

Air Handler	Coil	T.C.	S.C.	KW
AE36BX21	-	1.01	1.02	1.08
AE36CX21	-	1.02	1.04	1.10
AE42CX21	-	1.01	1.05	1.01
AE48CX21	-	1.03	1.04	1.03
AE48DX21	-	1.03	1.07	1.03
AVC36BX21	-	0.97	1.04	1.04
AVC36CX21	-	0.99	1.07	1.06
AVC42CX21	-	0.99	1.03	0.99
AVC48CX21	-	0.99	1.05	0.99
AVC48DX21	-	1.03	1.00	1.03
AVC60CX21	-	1.02	1.03	1.02
ME12BN21	CF42B	0.97	1.04	1.05
ME12CN21	CF/CM36C	0.99	0.98	1.07
ME14DN21	CF/CM42D	0.97	1.03	1.05
ME14DN21	CF/CM48D	1.01	0.98	1.01
ME14DN21	CF/CM60D	0.99	1.00	0.99
ME16CN21	CF/CM36C	0.98	1.05	1.06
ME16CN21	CF/CM42C	0.98	1.05	1.06

COIL MULTIPLIERS - 3 TON

ME16CN21	CF/CM48C	0.99	1.03	0.99
ME16CN21	CF/CM60C	1.02	0.99	1.02
MVC12BN21	CF/CM36B	0.97	1.04	1.04
MVC12BN21	CF42B	0.96	1.03	1.03
MVC12CN21	CF/CM36C	0.99	0.99	0.99
MVC12CN21	CF/CM42C	0.97	1.02	1.05
MVC12CN21	CF/CM48C	1.01	1.05	1.01
MVC12CN21	CF/CM60C	1.03	1.01	1.03
MVC14DN21	CF/CM42D	0.98	1.04	1.05
MVC14DN21	CF/CM48D	1.02	0.96	1.02
MVC14DN21	CF/CM60D	1.03	1.05	1.03
MVC16CN21	CF/CM36C	0.99	1.09	0.99
MVC16CN21	CF/CM42C	0.99	1.08	1.07
MVC16CN21	CF/CM48C	1.00	1.00	1.00
MVC16CN21	CF/CM60C	1.03	1.06	1.03
MVC20DN21	CF/CM42D	1.01	1.04	1.09
MVC20DN21	CF/CM48D	1.01	1.04	1.01
MVC20DN21	CF/CM60D	1.03	1.01	1.03

FURNACE MULTIPLIERS - 3 TON

Furnaces	Coil	T.C.	S.C.	KW
TM8V060A12MP12C	CF/CM/CU36B	0.97	1.00	1.05
TM8V060A12MP12C	CF42B	0.95	1.04	1.02
TM8V080B12MP12C	CF/CM/CU36C	0.98	1.00	1.06
TM8V080B12MP12C	CF/CM/CU42C	0.95	1.04	1.03
TM8V080B12MP12C	CF/CM/CU48C	1.00	0.98	1.08
TM8V080B12MP12C	CF/CM/CU60C	1.01	1.05	1.08
TM8V080C16MP12C	CF/CM/CU36C	0.99	1.02	1.06
TM8V080C16MP12C	CF/CM/CU42C	0.97	1.01	1.04
TM8V080C16MP12C	CF/CM/CU42D	0.97	1.04	1.05
TM8V080C16MP12C	CF/CM/CU48C	0.99	0.96	0.99
TM8V080C16MP12C	CF/CM/CU48D	1.01	0.99	1.01
TM8V080C16MP12C	CF/CM/CU60C	1.02	1.02	1.02
TM8V080C16MP12C	CF/CM/CU60D	1.02	1.02	1.02
TM8V100C16MP12C	CF/CM/CU36C	0.99	1.02	1.06
TM8V100C16MP12C	CF/CM/CU42C	0.97	1.01	1.04
TM8V100C16MP12C	CF/CM/CU42D	0.97	1.04	1.05
TM8V100C16MP12C	CF/CM/CU48C	0.99	0.96	0.99
TM8V100C16MP12C	CF/CM/CU48D	1.01	0.99	1.01
TM8V100C16MP12C	CF/CM/CU60C	1.02	1.02	1.02
TM8V100C16MP12C	CF/CM/CU60D	1.02	1.02	1.02
TM8V100C20MP12C	CF/CM/CU36C	1.00	1.04	1.08
TM8V100C20MP12C	CF/CM/CU42C	0.98	1.07	1.06
TM8V100C20MP12C	CF/CM/CU42D	0.98	1.08	1.06
TM8V100C20MP12C	CF/CM/CU48C	1.02	1.01	1.02
TM8V100C20MP12C	CF/CM/CU48D	1.02	1.01	1.02
TM8V100C20MP12C	CF/CM/CU60C	1.02	1.02	1.02
TM8V100C20MP12C	CF/CM/CU60D	1.02	1.02	1.02
TM8V120C20MP12C	CF/CM/CU36C	1.00	1.04	1.08
TM8V120C20MP12C	CF/CM/CU42C	0.98	1.07	1.06
TM8V120C20MP12C	CF/CM/CU42D	0.98	1.08	1.06
TM8V120C20MP12C	CF/CM/CU48C	1.02	1.01	1.02
TM8V120C20MP12C	CF/CM/CU48D	1.02	1.01	1.02
TM8V120C20MP12C	CF/CM/CU60C	1.02	1.02	1.02
TM8V120C20MP12C	CF/CM/CU60D	1.02	1.02	1.02
TM8X060A12MP11	CF/CM/CU36B	0.99	1.03	1.07
TM8X060A12MP11	CF/CM36A	0.99	1.02	1.06
TM8X060A12MP11	CF42B	0.98	1.06	1.06
TM8X080B12MP11	CF/CM/CU36B	0.98	1.09	1.05
TM8X080B12MP11	CF/CM/CU36C	1.01	1.05	1.08
TM8X080B12MP11	CF/CM/CU42C	0.98	1.10	1.05
TM8X080B12MP11	CF/CM/CU48C	1.03	1.02	1.11
TM8X080B12MP11	CF/CM/CU60C	1.02	1.04	1.10
TM8X080B12MP11	CF42B	0.97	1.09	1.05
TM8X080C16MP11	CF/CM/CU36C	1.00	1.04	1.08
TM8X080C16MP11	CF/CM/CU42C	0.98	1.07	1.06
TM8X080C16MP11	CF/CM/CU42D	1.00	1.05	1.08
TM8X080C16MP11	CF/CM/CU48C	1.02	1.01	1.02
TM8X080C16MP11	CF/CM/CU48D	1.02	1.01	1.02
TM8X080C16MP11	CF/CM/CU60C	1.02	1.02	1.02
TM8X080C16MP11	CF/CM/CU60D	1.03	1.01	1.03
TM8X100C16MP11	CF/CM/CU36C	1.00	1.04	1.08
TM8X100C16MP11	CF/CM/CU42C	0.98	1.07	1.06
TM8X100C16MP11	CF/CM/CU42D	1.00	1.05	1.08
TM8X100C16MP11	CF/CM/CU48C	1.02	1.01	1.02
TM8X100C16MP11	CF/CM/CU48D	1.02	1.01	1.02

FURNACE MULTIPLIERS - 3 TON (Continued)

Furnaces	Coil	T.C.	S.C.	KW
TM8X100C16MP11	CF/CM/CU60C	1.02	1.02	1.02
TM8X100C16MP11	CF/CM/CU60D	1.03	1.01	1.03
TM8X100C20MP11	CF/CM/CU36C	0.99	1.09	1.07
TM8X100C20MP11	CF/CM/CU42C	0.99	1.10	1.06
TM8X100C20MP11	CF/CM/CU42D	0.99	1.11	1.06
TM8X100C20MP11	CF/CM/CU48C	1.03	1.03	1.03
TM8X100C20MP11	CF/CM/CU48D	1.03	1.04	1.03
TM8X100C20MP11	CF/CM/CU60C	1.03	1.04	1.03
TM8X100C20MP11	CF/CM/CU60D	1.03	1.05	1.03
TM8X100C20MP11	CF/CM/CU60D	1.03	1.05	1.03
TM8X120C20MP11	CF/CM/CU36C	0.99	1.09	1.07
TM8X120C20MP11	CF/CM/CU42C	0.99	1.10	1.06
TM8X120C20MP11	CF/CM/CU42D	0.99	1.11	1.06
TM8X120C20MP11	CF/CM/CU48C	1.03	1.03	1.03
TM8X120C20MP11	CF/CM/CU48D	1.03	1.04	1.03
TM8X120C20MP11	CF/CM/CU60C	1.03	1.04	1.03
TM8X120C20MP11	CF/CM/CU60D	1.03	1.05	1.03
TM8Y060A12MP11	CF/CM/CU36B	0.99	1.03	1.07
TM8Y060A12MP11	CF/CM36A	0.99	1.02	1.06
TM8Y060A12MP11	CF42B	0.98	1.06	1.06
TM8Y080B12MP11	CF/CM/CU36B	0.98	1.09	1.05
TM8Y080B12MP11	CF/CM/CU36C	1.01	1.05	1.08
TM8Y080B12MP11	CF/CM/CU42C	0.98	1.10	1.05
TM8Y080B12MP11	CF/CM/CU48C	1.03	1.02	1.11
TM8Y080B12MP11	CF/CM/CU60C	1.02	1.04	1.10
TM8Y080B12MP11	CF42B	0.97	1.09	1.05
TM8Y080C16MP11	CF/CM/CU36C	1.00	1.04	1.08
TM8Y080C16MP11	CF/CM/CU42C	0.98	1.07	1.06
TM8Y080C16MP11	CF/CM/CU42D	1.00	1.05	1.08
TM8Y080C16MP11	CF/CM/CU48C	1.02	1.01	1.02
TM8Y080C16MP11	CF/CM/CU48D	1.02	1.01	1.02
TM8Y080C16MP11	CF/CM/CU60C	1.02	1.02	1.02
TM8Y080C16MP11	CF/CM/CU60D	1.03	1.01	1.03
TM8Y100C16MP11	CF/CM/CU36C	1.00	1.04	1.08
TM8Y100C16MP11	CF/CM/CU42C	0.98	1.07	1.06
TM8Y100C16MP11	CF/CM/CU42D	1.00	1.05	1.08
TM8Y100C16MP11	CF/CM/CU48C	1.02	1.01	1.02
TM8Y100C16MP11	CF/CM/CU48D	1.02	1.01	1.02
TM8Y100C16MP11	CF/CM/CU60C	1.02	1.02	1.02
TM8Y100C16MP11	CF/CM/CU60D	1.03	1.01	1.03
TM8Y100C20MP11	CF/CM/CU36C	0.99	1.09	1.07
TM8Y100C20MP11	CF/CM/CU42C	0.99	1.10	1.06
TM8Y100C20MP11	CF/CM/CU42D	0.99	1.11	1.06
TM8Y100C20MP11	CF/CM/CU48C	1.03	1.03	1.03
TM8Y100C20MP11	CF/CM/CU48D	1.03	1.04	1.03
TM8Y100C20MP11	CF/CM/CU60C	1.03	1.04	1.03
TM8Y100C20MP11	CF/CM/CU60D	1.03	1.05	1.03
TM8Y120C20MP11	CF/CM/CU36C	0.99	1.09	1.07
TM8Y120C20MP11	CF/CM/CU42C	0.99	1.10	1.06
TM8Y120C20MP11	CF/CM/CU42D	0.99	1.11	1.06
TM8Y120C20MP11	CF/CM/CU48C	1.03	1.03	1.03
TM8Y120C20MP11	CF/CM/CU48D	1.03	1.04	1.03
TM8Y120C20MP11	CF/CM/CU60C	1.03	1.04	1.03
TM8Y120C20MP11	CF/CM/CU60D	1.03	1.05	1.03
TM9E080B12MP11	CF/CM/CU36B	0.98	1.00	1.05
TM9E080B12MP11	CF/CM/CU36C	0.99	0.99	1.06

FURNACE MULTIPLIERS - 3 TON (Continued)

Furnaces	Coil	T.C.	S.C.	KW
TM9E080B12MP11	CF/CM/CU42C	0.96	1.04	1.03
TM9E080B12MP11	CF/CM/CU48C	1.01	0.97	1.08
TM9E080B12MP11	CF/CM/CU60C	1.02	0.95	1.10
TM9E080B12MP11	CF42B	0.95	1.03	1.03
TM9E100C16MP11	CF/CM/CU36C	0.98	1.12	1.06
TM9E100C16MP11	CF/CM/CU42C	0.99	1.11	1.06
TM9E100C16MP11	CF/CM/CU48C	1.02	1.07	1.10
TM9E100C16MP11	CF/CM/CU48D	1.03	1.07	1.11
TM9E100C16MP11	CF/CM/CU60C	1.03	1.06	1.03
TM9E100C16MP11	CF/CM/CU60D	1.02	1.09	1.10
TM9E120D20MP11	CF/CM/CU42D	0.99	1.11	1.06
TM9E120D20MP11	CF/CM/CU48D	1.03	1.04	1.03
TM9E120D20MP11	CF/CM/CU60D	1.03	1.05	1.03
TM9V060B12MP12C	CF/CM/CU36B	0.98	1.00	1.06
TM9V060B12MP12C	CF/CM/CU36C	0.98	1.00	1.06
TM9V060B12MP12C	CF/CM/CU42C	0.95	1.04	1.03
TM9V060B12MP12C	CF/CM/CU48C	1.00	0.98	1.08
TM9V060B12MP12C	CF/CM/CU60C	1.01	1.05	1.09
TM9V060B12MP12C	CF42B	0.95	1.04	1.03
TM9V080B12MP12C	CF/CM/CU36B	0.98	1.00	1.05
TM9V080B12MP12C	CF/CM/CU42C	0.97	1.01	1.04
TM9V080B12MP12C	CF/CM/CU48C	0.99	0.97	1.07
TM9V080B12MP12C	CF/CM/CU60C	1.01	1.07	1.09
TM9V080B12MP12C	CF42B	0.95	1.04	1.02
TM9V080C16MP12C	CF/CM/CU36C	0.97	1.04	1.04
TM9V080C16MP12C	CF/CM/CU42C	0.97	1.01	1.04
TM9V080C16MP12C	CF/CM/CU42D	0.97	1.01	1.04
TM9V080C16MP12C	CF/CM/CU48C	1.01	0.98	1.01
TM9V080C16MP12C	CF/CM/CU48D	1.01	0.98	1.01
TM9V080C16MP12C	CF/CM/CU60C	1.02	1.04	1.10
TM9V080C16MP12C	CF/CM/CU60D	1.02	1.04	1.02
TM9V100C16MP12C	CF/CM/CU36C	0.99	0.99	1.07
TM9V100C16MP12C	CF/CM/CU42C	0.97	1.03	1.04
TM9V100C16MP12C	CF/CM/CU42D	0.96	1.03	1.03
TM9V100C16MP12C	CF/CM/CU48C	1.00	0.97	1.00
TM9V100C16MP12C	CF/CM/CU48D	1.00	0.97	1.00
TM9V100C16MP12C	CF/CM/CU60C	1.03	1.02	1.03
TM9V100C16MP12C	CF/CM/CU60D	1.03	1.01	1.03
TM9V100C20MP12C	CF/CM/CU36C	0.98	1.06	1.05
TM9V100C20MP12C	CF/CM/CU42C	0.98	1.06	1.05
TM9V100C20MP12C	CF/CM/CU42D	0.98	1.06	1.05
TM9V100C20MP12C	CF/CM/CU48C	0.99	1.04	1.06
TM9V100C20MP12C	CF/CM/CU48D	0.99	1.04	1.06
TM9V100C20MP12C	CF/CM/CU60C	1.03	1.05	1.03
TM9V100C20MP12C	CF/CM/CU60D	1.03	1.05	1.03
TM9V120D20MP12C	CF/CM/CU42D	0.97	1.04	1.05
TM9V120D20MP12C	CF/CM/CU48D	1.01	0.98	1.01
TM9V120D20MP12C	CF/CM/CU60D	1.03	1.03	1.03
TM9Y080B12MP11	CF/CM/CU36B	0.98	1.00	1.05
TM9Y080B12MP11	CF/CM/CU36C	0.99	0.99	1.06
TM9Y080B12MP11	CF/CM/CU42C	0.96	1.04	1.03
TM9Y080B12MP11	CF/CM/CU48C	1.01	0.97	1.08
TM9Y080B12MP11	CF/CM/CU60C	1.02	0.95	1.10
TM9Y080B12MP11	CF42B	0.95	1.03	1.03
TM9Y100C16MP11	CF/CM/CU36C	0.98	1.12	1.06

FURNACE MULTIPLIERS - 3 TON (Continued)

Furnaces	Coil	T.C.	S.C.	KW
TM9Y100C16MP11	CF/CM/CU42C	0.99	1.11	1.06
TM9Y100C16MP11	CF/CM/CU48C	1.02	1.07	1.10
TM9Y100C16MP11	CF/CM/CU48D	1.03	1.07	1.11
TM9Y100C16MP11	CF/CM/CU60C	1.03	1.06	1.03
TM9Y100C16MP11	CF/CM/CU60D	1.02	1.09	1.10
TM9Y120D20MP11	CF/CM/CU42D	0.99	1.11	1.06
TM9Y120D20MP11	CF/CM/CU48D	1.03	1.04	1.03
TM9Y120D20MP11	CF/CM/CU60D	1.03	1.05	1.03
TMLV060A12MP12C	CF/CM/CU36B	0.97	1.00	1.05
TMLV060A12MP12C	CF42B	0.95	1.04	1.02
TMLV080B12MP12C	CF/CM/CU36C	0.98	1.00	1.06
TMLV080B12MP12C	CF/CM/CU42C	0.95	1.04	1.03
TMLV080B12MP12C	CF/CM/CU48C	1.00	0.98	1.08
TMLV080B12MP12C	CF/CM/CU60C	1.01	1.05	1.08
TMLV080C16MP12C	CF/CM/CU36C	0.99	1.02	1.06
TMLV080C16MP12C	CF/CM/CU42C	0.97	1.01	1.04
TMLV080C16MP12C	CF/CM/CU42D	0.97	1.04	1.05
TMLV080C16MP12C	CF/CM/CU48C	0.99	0.96	0.99
TMLV080C16MP12C	CF/CM/CU48D	1.01	0.99	1.01
TMLV080C16MP12C	CF/CM/CU60C	1.02	1.02	1.02
TMLV080C16MP12C	CF/CM/CU60D	1.02	1.02	1.02
TMLV100C16MP12C	CF/CM/CU36C	0.99	1.02	1.06
TMLV100C16MP12C	CF/CM/CU42C	0.97	1.01	1.04
TMLV100C16MP12C	CF/CM/CU42D	0.97	1.04	1.05
TMLV100C16MP12C	CF/CM/CU48C	0.99	0.96	0.99
TMLV100C16MP12C	CF/CM/CU48D	1.01	0.99	1.01
TMLV100C16MP12C	CF/CM/CU60C	1.02	1.02	1.02
TMLV100C16MP12C	CF/CM/CU60D	1.02	1.02	1.02
TMLV100C20MP12C	CF/CM/CU36C	1.00	1.04	1.08
TMLV100C20MP12C	CF/CM/CU42C	0.98	1.07	1.06
TMLV100C20MP12C	CF/CM/CU42D	0.98	1.08	1.06
TMLV100C20MP12C	CF/CM/CU48C	1.02	1.01	1.02
TMLV100C20MP12C	CF/CM/CU48D	1.02	1.01	1.02
TMLV100C20MP12C	CF/CM/CU60C	1.02	1.02	1.02
TMLV100C20MP12C	CF/CM/CU60D	1.02	1.02	1.02
TMLV120C20MP12C	CF/CM/CU36C	1.00	1.04	1.08
TMLV120C20MP12C	CF/CM/CU42C	0.98	1.07	1.06
TMLV120C20MP12C	CF/CM/CU42D	0.98	1.08	1.06
TMLV120C20MP12C	CF/CM/CU48C	1.02	1.01	1.02
TMLV120C20MP12C	CF/CM/CU48D	1.02	1.01	1.02
TMLV120C20MP12C	CF/CM/CU60C	1.02	1.02	1.02
TMLV120C20MP12C	CF/CM/CU60D	1.02	1.02	1.02
TMLX060A12MP11	CF/CM/CU36B	0.99	1.03	1.07
TMLX060A12MP11	CF/CM36A	0.99	1.02	1.06
TMLX060A12MP11	CF42B	0.98	1.06	1.06
TMLX080B12MP11	CF/CM/CU36B	0.98	1.09	1.05
TMLX080B12MP11	CF/CM/CU36C	1.01	1.05	1.08
TMLX080B12MP11	CF/CM/CU42C	0.98	1.10	1.05
TMLX080B12MP11	CF/CM/CU48C	1.03	1.02	1.11
TMLX080B12MP11	CF/CM/CU60C	1.02	1.04	1.10
TMLX080B12MP11	CF42B	0.97	1.09	1.05
TMLX080C16MP11	CF/CM/CU36C	1.00	1.04	1.08
TMLX080C16MP11	CF/CM/CU42C	0.98	1.07	1.06
TMLX080C16MP11	CF/CM/CU42D	1.00	1.05	1.08
TMLX080C16MP11	CF/CM/CU48C	1.02	1.01	1.02

FURNACE MULTIPLIERS - 3 TON (Continued)

Furnaces	Coil	T.C.	S.C.	KW
TMLX080C16MP11	CF/CM/CU48D	1.02	1.01	1.02
TMLX080C16MP11	CF/CM/CU60C	1.02	1.02	1.02
TMLX080C16MP11	CF/CM/CU60D	1.03	1.01	1.03
TMLX100C16MP11	CF/CM/CU36C	1.00	1.04	1.08
TMLX100C16MP11	CF/CM/CU42C	0.98	1.07	1.06
TMLX100C16MP11	CF/CM/CU42D	1.00	1.05	1.08
TMLX100C16MP11	CF/CM/CU48C	1.02	1.01	1.02
TMLX100C16MP11	CF/CM/CU48D	1.02	1.01	1.02
TMLX100C16MP11	CF/CM/CU60C	1.02	1.02	1.02
TMLX100C16MP11	CF/CM/CU60D	1.03	1.01	1.03
TMLX100C20MP11	CF/CM/CU36C	0.99	1.09	1.07
TMLX100C20MP11	CF/CM/CU42C	0.99	1.10	1.06
TMLX100C20MP11	CF/CM/CU42D	0.99	1.11	1.06
TMLX100C20MP11	CF/CM/CU48C	1.03	1.03	1.03
TMLX100C20MP11	CF/CM/CU48D	1.03	1.04	1.03
TMLX100C20MP11	CF/CM/CU60C	1.03	1.04	1.03
TMLX100C20MP11	CF/CM/CU60D	1.03	1.05	1.03
TMLX120C20MP11	CF/CM/CU36C	0.99	1.09	1.07
TMLX120C20MP11	CF/CM/CU42C	0.99	1.10	1.06
TMLX120C20MP11	CF/CM/CU42D	0.99	1.11	1.06
TMLX120C20MP11	CF/CM/CU48C	1.03	1.03	1.03
TMLX120C20MP11	CF/CM/CU48D	1.03	1.04	1.03
TMLX120C20MP11	CF/CM/CU60C	1.03	1.04	1.03
TMLX120C20MP11	CF/CM/CU60D	1.03	1.05	1.03
TP9C060B12MP13C	CF/CM/CU36B	0.98	1.00	1.06
TP9C060B12MP13C	CF/CM/CU36C	0.98	1.00	1.06
TP9C060B12MP13C	CF/CM/CU42C	0.95	1.04	1.03
TP9C060B12MP13C	CF/CM/CU48C	1.00	0.98	1.08
TP9C060B12MP13C	CF/CM/CU60C	1.01	1.05	1.09
TP9C060B12MP13C	CF42B	0.95	1.04	1.03
TP9C080B12MP13C	CF/CM/CU36B	0.98	1.00	1.05
TP9C080B12MP13C	CF/CM/CU42C	0.97	1.01	1.04
TP9C080B12MP13C	CF/CM/CU48C	0.99	0.97	1.07
TP9C080B12MP13C	CF/CM/CU60C	1.01	1.07	1.09
TP9C080B12MP13C	CF42B	0.95	1.04	1.02
TP9C080C16MP13C	CF/CM/CU36C	0.97	1.04	1.04
TP9C080C16MP13C	CF/CM/CU42C	0.97	1.01	1.04
TP9C080C16MP13C	CF/CM/CU42D	0.97	1.01	1.04
TP9C080C16MP13C	CF/CM/CU48C	1.01	0.98	1.01
TP9C080C16MP13C	CF/CM/CU48D	1.01	0.98	1.01
TP9C080C16MP13C	CF/CM/CU60C	1.02	1.04	1.10
TP9C080C16MP13C	CF/CM/CU60D	1.02	1.04	1.02
TP9C100C16MP13C	CF/CM/CU36C	0.99	0.99	1.07
TP9C100C16MP13C	CF/CM/CU42C	0.97	1.03	1.04
TP9C100C16MP13C	CF/CM/CU42D	0.96	1.03	1.03
TP9C100C16MP13C	CF/CM/CU48C	1.00	0.97	1.00
TP9C100C16MP13C	CF/CM/CU48D	1.00	0.97	1.00
TP9C100C16MP13C	CF/CM/CU60C	1.03	1.02	1.03
TP9C100C16MP13C	CF/CM/CU60D	1.03	1.01	1.03
TP9C100C20MP13C	CF/CM/CU36C	0.98	1.06	1.05
TP9C100C20MP13C	CF/CM/CU42C	0.98	1.06	1.05
TP9C100C20MP13C	CF/CM/CU42D	0.98	1.06	1.05
TP9C100C20MP13C	CF/CM/CU48C	0.99	1.04	1.06
TP9C100C20MP13C	CF/CM/CU48D	0.99	1.04	1.06
TP9C100C20MP13C	CF/CM/CU60C	1.03	1.05	1.03

FURNACE MULTIPLIERS - 3 TON (Continued)

Furnaces	Coil	T.C.	S.C.	KW
TP9C100C20MP13C	CF/CM/CU60D	1.03	1.05	1.03
TP9C120D20MP13C	CF/CM/CU42D	0.97	1.04	1.05
TP9C120D20MP13C	CF/CM/CU48D	1.01	0.98	1.01
TP9C120D20MP13C	CF/CM/CU60D	1.03	1.03	1.03
TPLC060A12MP13C	CF/CM/CU36B	0.97	1.00	1.05
TPLC060A12MP13C	CF42B	0.95	1.04	1.02
TPLC080B12MP13C	CF/CM/CU36C	0.98	1.00	1.06
TPLC080B12MP13C	CF/CM/CU42C	0.95	1.04	1.03
TPLC080B12MP13C	CF/CM/CU48C	1.00	0.98	1.08
TPLC080B12MP13C	CF/CM/CU60C	1.01	1.05	1.08
TPLC080C16MP13C	CF/CM/CU36C	0.99	1.02	1.06
TPLC080C16MP13C	CF/CM/CU42C	0.97	1.01	1.04
TPLC080C16MP13C	CF/CM/CU42D	0.97	1.04	1.05
TPLC080C16MP13C	CF/CM/CU48C	0.99	0.96	0.99
TPLC080C16MP13C	CF/CM/CU48D	1.01	0.99	1.01
TPLC080C16MP13C	CF/CM/CU60C	1.02	1.02	1.02
TPLC080C16MP13C	CF/CM/CU60D	1.02	1.02	1.02
TPLC100C16MP13C	CF/CM/CU36C	0.99	1.02	1.06
TPLC100C16MP13C	CF/CM/CU42C	0.97	1.01	1.04
TPLC100C16MP13C	CF/CM/CU42D	0.97	1.04	1.05
TPLC100C16MP13C	CF/CM/CU48C	0.99	0.96	0.99
TPLC100C16MP13C	CF/CM/CU48D	1.01	0.99	1.01
TPLC100C16MP13C	CF/CM/CU60C	1.02	1.02	1.02
TPLC100C16MP13C	CF/CM/CU60D	1.02	1.02	1.02
TPLC100C20MP13C	CF/CM/CU36C	1.00	1.04	1.08
TPLC100C20MP13C	CF/CM/CU42C	0.98	1.07	1.06
TPLC100C20MP13C	CF/CM/CU42D	0.98	1.08	1.06
TPLC100C20MP13C	CF/CM/CU48C	1.02	1.01	1.02
TPLC100C20MP13C	CF/CM/CU48D	1.02	1.01	1.02
TPLC100C20MP13C	CF/CM/CU60C	1.02	1.02	1.02
TPLC100C20MP13C	CF/CM/CU60D	1.02	1.02	1.02
TPLC120C20MP13C	CF/CM/CU36C	1.00	1.04	1.08
TPLC120C20MP13C	CF/CM/CU42C	0.98	1.07	1.06
TPLC120C20MP13C	CF/CM/CU42D	0.98	1.08	1.06
TPLC120C20MP13C	CF/CM/CU48C	1.02	1.01	1.02
TPLC120C20MP13C	CF/CM/CU48D	1.02	1.01	1.02
TPLC120C20MP13C	CF/CM/CU60C	1.02	1.02	1.02
TPLC120C20MP13C	CF/CM/CU60D	1.02	1.02	1.02
YP9C060B12MP13C	CF/CM/CU36B	0.98	1.00	1.06
YP9C060B12MP13C	CF/CM/CU36C	0.98	1.00	1.06
YP9C060B12MP13C	CF/CM/CU42C	0.95	1.04	1.03
YP9C060B12MP13C	CF/CM/CU48C	1.00	0.98	1.08
YP9C060B12MP13C	CF/CM/CU60C	1.01	1.05	1.09
YP9C060B12MP13C	CF42B	0.95	1.04	1.03
YP9C080B12MP13C	CF/CM/CU36B	0.98	1.00	1.05
YP9C080B12MP13C	CF/CM/CU42C	0.97	1.01	1.04
YP9C080B12MP13C	CF/CM/CU48C	0.99	0.97	1.07
YP9C080B12MP13C	CF/CM/CU60C	1.01	1.07	1.09
YP9C080B12MP13C	CF42B	0.95	1.04	1.02
YP9C080C16MP13C	CF/CM/CU36C	0.97	1.04	1.04
YP9C080C16MP13C	CF/CM/CU42C	0.97	1.01	1.04
YP9C080C16MP13C	CF/CM/CU42D	0.97	1.01	1.04
YP9C080C16MP13C	CF/CM/CU48C	1.01	0.98	1.01
YP9C080C16MP13C	CF/CM/CU48D	1.01	0.98	1.01
YP9C080C16MP13C	CF/CM/CU60C	1.02	1.04	1.10

FURNACE MULTIPLIERS - 3 TON (Continued)

Furnaces	Coil	T.C.	S.C.	KW
YP9C080C16MP13C	CF/CM/CU60D	1.02	1.04	1.02
YP9C100C16MP13C	CF/CM/CU36C	0.99	0.99	1.07
YP9C100C16MP13C	CF/CM/CU42C	0.97	1.03	1.04
YP9C100C16MP13C	CF/CM/CU42D	0.96	1.03	1.03
YP9C100C16MP13C	CF/CM/CU48C	1.00	0.97	1.00
YP9C100C16MP13C	CF/CM/CU48D	1.00	0.97	1.00
YP9C100C16MP13C	CF/CM/CU60C	1.03	1.02	1.03
YP9C100C16MP13C	CF/CM/CU60D	1.03	1.01	1.03
YP9C100C20MP13C	CF/CM/CU36C	0.98	1.06	1.05
YP9C100C20MP13C	CF/CM/CU42C	0.98	1.06	1.05
YP9C100C20MP13C	CF/CM/CU42D	0.98	1.06	1.05
YP9C100C20MP13C	CF/CM/CU48C	0.99	1.04	1.06
YP9C100C20MP13C	CF/CM/CU48D	0.99	1.04	1.06
YP9C100C20MP13C	CF/CM/CU60C	1.03	1.05	1.03
YP9C100C20MP13C	CF/CM/CU60D	1.03	1.05	1.03
YP9C120D20MP13C	CF/CM/CU42D	0.97	1.04	1.05
YP9C120D20MP13C	CF/CM/CU48D	1.01	0.98	1.01
YP9C120D20MP13C	CF/CM/CU60D	1.03	1.03	1.03
YPLC060A12MP13C	CF/CM/CU36B	0.97	1.00	1.05
YPLC060A12MP13C	CF42B	0.95	1.04	1.02
YPLC080B12MP13C	CF/CM/CU36C	0.98	1.00	1.06
YPLC080B12MP13C	CF/CM/CU42C	0.95	1.04	1.03
YPLC080B12MP13C	CF/CM/CU48C	1.00	0.98	1.08
YPLC080B12MP13C	CF/CM/CU60C	1.01	1.05	1.08
YPLC080C16MP13C	CF/CM/CU36C	0.99	1.02	1.06
YPLC080C16MP13C	CF/CM/CU42C	0.97	1.01	1.04
YPLC080C16MP13C	CF/CM/CU42D	0.97	1.04	1.05

FURNACE MULTIPLIERS - 3 TON (Continued)

Furnaces	Coil	T.C.	S.C.	KW
YPLC080C16MP13C	CF/CM/CU48C	0.99	0.96	0.99
YPLC080C16MP13C	CF/CM/CU48D	1.01	0.99	1.01
YPLC080C16MP13C	CF/CM/CU60C	1.02	1.02	1.02
YPLC080C16MP13C	CF/CM/CU60D	1.02	1.02	1.02
YPLC100C16MP13C	CF/CM/CU36C	0.99	1.02	1.06
YPLC100C16MP13C	CF/CM/CU42C	0.97	1.01	1.04
YPLC100C16MP13C	CF/CM/CU42D	0.97	1.04	1.05
YPLC100C16MP13C	CF/CM/CU48C	0.99	0.96	0.99
YPLC100C16MP13C	CF/CM/CU48D	1.01	0.99	1.01
YPLC100C16MP13C	CF/CM/CU60C	1.02	1.02	1.02
YPLC100C16MP13C	CF/CM/CU60D	1.02	1.02	1.02
YPLC100C20MP13C	CF/CM/CU36C	1.00	1.04	1.08
YPLC100C20MP13C	CF/CM/CU42C	0.98	1.07	1.06
YPLC100C20MP13C	CF/CM/CU42D	0.98	1.08	1.06
YPLC100C20MP13C	CF/CM/CU48C	1.02	1.01	1.02
YPLC100C20MP13C	CF/CM/CU48D	1.02	1.01	1.02
YPLC100C20MP13C	CF/CM/CU60C	1.02	1.02	1.02
YPLC100C20MP13C	CF/CM/CU60D	1.02	1.02	1.02
YPLC120C20MP13C	CF/CM/CU36C	1.00	1.04	1.08
YPLC120C20MP13C	CF/CM/CU42C	0.98	1.07	1.06
YPLC120C20MP13C	CF/CM/CU42D	0.98	1.08	1.06
YPLC120C20MP13C	CF/CM/CU48C	1.02	1.01	1.02
YPLC120C20MP13C	CF/CM/CU48D	1.02	1.01	1.02
YPLC120C20MP13C	CF/CM/CU60C	1.02	1.02	1.02
YPLC120C20MP13C	CF/CM/CU60D	1.02	1.02	1.02

HEATING PERFORMANCE DATA

CONDENSING UNIT MODEL NO		YZT36B21S								
AIR TEMP. ENTERING OUTDOOR UNIT (°F)	AIR TEMP. ENTERING INDOOR COIL (°F)	ID CFM								
		950			1200			1450		
		MBH	COP	KW	MBH	COP	KW	MBH	COP	KW
60	60	42.3	4.49	2.76	43.2	4.68	2.71	44.2	4.88	2.65
	70	41.3	4.04	3.02	42.3	4.24	2.95	43.3	4.44	2.88
	80	40.2	3.59	3.29	41.4	3.79	3.20	42.5	4.00	3.11
47	60	36.3	4.06	2.62	36.9	4.19	2.58	37.5	4.33	2.54
	70	35.4	3.63	2.89	36.1	3.77	2.83	36.8	3.91	2.78
	80	34.6	3.21	3.16	35.3	3.35	3.09	36.0	3.50	3.02
40	60	33.0	3.74	2.58	33.6	3.86	2.56	34.2	3.97	2.53
	70	32.3	3.34	2.87	32.9	3.46	2.82	33.6	3.58	2.78
	80	31.6	2.93	3.15	32.2	3.06	3.09	32.9	3.18	3.03
30	60	27.5	3.13	2.58	26.7	3.10	2.53	26.0	3.06	2.48
	70	27.5	2.88	2.82	27.3	2.90	2.78	27.2	2.93	2.73
	80	27.5	2.63	3.06	27.9	2.71	3.02	28.3	2.79	2.97
17	60	22.6	2.72	2.43	22.7	2.76	2.42	22.9	2.79	2.40
	70	22.4	2.45	2.71	22.7	2.51	2.67	22.9	2.57	2.64
	80	22.2	2.18	2.98	22.6	2.26	2.93	22.9	2.34	2.87
10	60	20.3	2.54	2.34	19.7	2.44	2.36	19.02	2.34	2.38
	70	20.0	2.30	2.57	19.8	2.25	2.60	19.5	2.20	2.62
	80	19.6	2.05	2.80	19.9	2.05	2.84	20.1	2.05	2.87

NOTE: ALL CAPACITIES INCLUDE INDOOR FAN HEAT. KW VALUES ARE FOR THE SYSTEM (OUTDOOR + INDOOR).

Yellow shaded cells are AHRI High Heating conditions.

Orange shaded cells are AHRI Low Heating conditions.

Multipliers for determining the performance with other indoor sections.

COIL MULTIPLIERS - 3 TON

Air Handler	Coil	MBH	COP	KW
AE36BX21	-	0.99	0.94	1.07
AE36CX21	-	1.00	0.99	1.01
AE42CX21	-	0.99	1.00	1.02
AE48CX21	-	0.99	0.99	1.03
AE48DX21	-	1.00	1.05	0.95
AVC36BX21	-	0.99	0.92	1.10
AVC36CX21	-	0.99	0.95	1.06
AVC42CX21	-	0.98	0.97	1.05
AVC48CX21	-	0.99	0.97	1.04
AVC48DX21	-	0.99	0.99	1.03
AVC60CX21	-	0.99	1.04	0.97
ME12BN21	CF42B	0.98	0.88	1.16
ME12CN21	CF/CM36C	1.00	0.96	1.04
ME14DN21	CF/CM42D	0.99	0.91	1.11
ME14DN21	CF/CM48D	1.10	1.20	0.76
ME14DN21	CF/CM60D	1.00	1.04	0.96
ME16CN21	CF/CM36C	0.99	0.94	1.07
ME16CN21	CF/CM42C	0.98	0.86	1.19
ME16CN21	CF/CM48C	0.98	0.97	1.05
ME16CN21	CF/CM60C	1.01	1.05	0.94
MVC12BN21	CF/CM36B	0.99	0.92	1.09
MVC12BN21	CF42B	1.00	0.93	1.08
MVC12CN21	CF/CM36C	1.00	0.97	1.04
MVC12CN21	CF/CM42C	1.00	0.93	1.07
MVC12CN21	CF/CM48C	0.99	1.01	1.00
MVC12CN21	CF/CM60C	0.97	0.91	1.13
MVC14DN21	CF/CM42D	0.99	0.89	1.14
MVC14DN21	CF/CM48D	0.99	0.98	1.03
MVC14DN21	CF/CM60D	1.01	1.10	0.90
MVC16CN21	CF/CM36C	0.99	0.94	1.07
MVC16CN21	CF/CM42C	0.99	0.97	1.04
MVC16CN21	CF/CM48C	1.00	1.00	1.00
MVC16CN21	CF/CM60C	0.99	1.04	0.97
MVC20DN21	CF/CM42D	0.98	0.85	1.19
MVC20DN21	CF/CM48D	0.99	1.01	0.99
MVC20DN21	CF/CM60D	0.97	0.92	1.12

FURNACE MULTIPLIERS - 3 TON

Furnaces	Coil	T.C.	S.C.	KW
TM8V060A12MP12C	CF/CM/CU36B	0.99	0.93	1.09
TM8V060A12MP12C	CF42B	0.99	0.91	1.10
TM8V080B12MP12C	CF/CM/CU36C	0.99	0.93	1.09
TM8V080B12MP12C	CF/CM/CU42C	0.99	0.90	1.13
TM8V080B12MP12C	CF/CM/CU48C	0.98	0.94	1.09
TM8V080B12MP12C	CF/CM/CU60C	0.97	0.92	1.12
TM8V080C16MP12C	CF/CM/CU36C	1.01	1.01	0.98
TM8V080C16MP12C	CF/CM/CU42C	0.99	0.89	1.14
TM8V080C16MP12C	CF/CM/CU42D	0.98	0.88	1.16
TM8V080C16MP12C	CF/CM/CU48C	0.98	0.95	1.08
TM8V080C16MP12C	CF/CM/CU48D	0.98	0.96	1.06
TM8V080C16MP12C	CF/CM/CU60C	0.99	1.03	0.98
TM8V080C16MP12C	CF/CM/CU60D	0.99	1.03	0.97
TM8V100C16MP12C	CF/CM/CU36C	1.01	1.01	0.98
TM8V100C16MP12C	CF/CM/CU42C	0.99	0.89	1.14
TM8V100C16MP12C	CF/CM/CU42D	0.98	0.88	1.16
TM8V100C16MP12C	CF/CM/CU48C	0.98	0.95	1.08
TM8V100C16MP12C	CF/CM/CU48D	0.98	0.96	1.06
TM8V100C16MP12C	CF/CM/CU60C	0.99	1.03	0.98
TM8V100C16MP12C	CF/CM/CU60D	0.99	1.03	0.97
TM8V100C20MP12C	CF/CM/CU36C	1.00	1.04	0.96
TM8V100C20MP12C	CF/CM/CU42C	0.99	0.96	1.06
TM8V100C20MP12C	CF/CM/CU42D	0.99	0.96	1.05
TM8V100C20MP12C	CF/CM/CU48C	0.98	0.98	1.04
TM8V100C20MP12C	CF/CM/CU48D	0.98	0.98	1.04
TM8V100C20MP12C	CF/CM/CU60C	1.00	1.04	0.96
TM8V100C20MP12C	CF/CM/CU60D	1.00	1.04	0.96
TM8V120C20MP12C	CF/CM/CU36C	1.00	1.04	0.96
TM8V120C20MP12C	CF/CM/CU42C	0.99	0.96	1.06
TM8V120C20MP12C	CF/CM/CU42D	0.99	0.96	1.05
TM8V120C20MP12C	CF/CM/CU48C	0.98	0.98	1.04
TM8V120C20MP12C	CF/CM/CU48D	0.98	0.98	1.04
TM8V120C20MP12C	CF/CM/CU60C	1.00	1.04	0.96
TM8V120C20MP12C	CF/CM/CU60D	1.00	1.04	0.96
TM8X060A12MP11	CF/CM/CU36B	0.98	0.91	1.12
TM8X060A12MP11	CF/CM36A	0.98	0.91	1.12
TM8X060A12MP11	CF42B	0.97	0.82	1.26
TM8X080B12MP11	CF/CM/CU36B	0.98	0.91	1.12
TM8X080B12MP11	CF/CM/CU36C	0.98	0.96	1.06
TM8X080B12MP11	CF/CM/CU42C	0.97	0.88	1.17
TM8X080B12MP11	CF/CM/CU48C	0.97	0.93	1.11
TM8X080B12MP11	CF/CM/CU60C	0.97	0.95	1.09
TM8X080B12MP11	CF42B	0.98	0.93	1.10
TM8X080C16MP11	CF/CM/CU36C	1.00	1.03	0.97
TM8X080C16MP11	CF/CM/CU42C	0.99	0.95	1.06
TM8X080C16MP11	CF/CM/CU42D	0.98	0.84	1.22
TM8X080C16MP11	CF/CM/CU48C	0.98	0.97	1.05
TM8X080C16MP11	CF/CM/CU48D	0.98	0.97	1.05
TM8X080C16MP11	CF/CM/CU60C	0.99	1.03	0.98
TM8X080C16MP11	CF/CM/CU60D	0.97	0.90	1.14
TM8X100C16MP11	CF/CM/CU36C	1.00	1.03	0.97
TM8X100C16MP11	CF/CM/CU42C	0.99	0.95	1.06
TM8X100C16MP11	CF/CM/CU42D	0.98	0.84	1.22
TM8X100C16MP11	CF/CM/CU48C	0.98	0.97	1.05
TM8X100C16MP11	CF/CM/CU48D	0.98	0.97	1.05

FURNACE MULTIPLIERS - 3 TON (Continued)

Furnaces	Coil	T.C.	S.C.	KW
TM9Y100C16MP11	CF/CM/CU42C	0.99	0.96	1.05
TM9Y100C16MP11	CF/CM/CU48C	0.98	0.96	1.07
TM9Y100C16MP11	CF/CM/CU48D	0.98	1.00	1.01
TM9Y100C16MP11	CF/CM/CU60C	0.98	1.00	1.01
TM9Y100C16MP11	CF/CM/CU60D	0.99	1.05	0.96
TM9Y120D20MP11	CF/CM/CU42D	0.99	0.98	1.03
TM9Y120D20MP11	CF/CM/CU48D	0.98	0.97	1.05
TM9Y120D20MP11	CF/CM/CU60D	1.00	1.07	0.94
TMLX060A12MP12C	CF/CM/CU36B	0.99	0.93	1.09
TMLX060A12MP12C	CF42B	0.99	0.91	1.10
TMLX080B12MP12C	CF/CM/CU36C	0.99	0.93	1.09
TMLX080B12MP12C	CF/CM/CU42C	0.99	0.90	1.13
TMLX080B12MP12C	CF/CM/CU48C	0.98	0.94	1.09
TMLX080B12MP12C	CF/CM/CU60C	0.97	0.92	1.12
TMLX080C16MP12C	CF/CM/CU36C	1.01	1.01	0.98
TMLX080C16MP12C	CF/CM/CU42C	0.99	0.89	1.14
TMLX080C16MP12C	CF/CM/CU42D	0.98	0.88	1.16
TMLX080C16MP12C	CF/CM/CU48C	0.98	0.95	1.08
TMLX080C16MP12C	CF/CM/CU48D	0.98	0.96	1.06
TMLX080C16MP12C	CF/CM/CU60C	0.99	1.03	0.98
TMLX080C16MP12C	CF/CM/CU60D	0.99	1.03	0.97
TMLV100C16MP12C	CF/CM/CU36C	1.01	1.01	0.98
TMLV100C16MP12C	CF/CM/CU42C	0.99	0.89	1.14
TMLV100C16MP12C	CF/CM/CU42D	0.98	0.88	1.16
TMLV100C16MP12C	CF/CM/CU48C	0.98	0.95	1.08
TMLV100C16MP12C	CF/CM/CU48D	0.98	0.96	1.06
TMLV100C16MP12C	CF/CM/CU60C	0.99	1.03	0.98
TMLV100C16MP12C	CF/CM/CU60D	0.99	1.03	0.97
TMLV100C20MP12C	CF/CM/CU36C	1.00	1.04	0.96
TMLV100C20MP12C	CF/CM/CU42C	0.99	0.96	1.06
TMLV100C20MP12C	CF/CM/CU42D	0.99	0.96	1.05
TMLV100C20MP12C	CF/CM/CU48C	0.98	0.98	1.04
TMLV100C20MP12C	CF/CM/CU48D	0.98	0.98	1.04
TMLV100C20MP12C	CF/CM/CU60C	1.00	1.04	0.96
TMLV100C20MP12C	CF/CM/CU60D	1.00	1.04	0.96
TMLV120C20MP12C	CF/CM/CU36C	1.00	1.04	0.96
TMLV120C20MP12C	CF/CM/CU42C	0.99	0.96	1.06
TMLV120C20MP12C	CF/CM/CU42D	0.99	0.96	1.05
TMLV120C20MP12C	CF/CM/CU48C	0.98	0.98	1.04
TMLV120C20MP12C	CF/CM/CU48D	0.98	0.98	1.04
TMLV120C20MP12C	CF/CM/CU60C	1.00	1.04	0.96
TMLV120C20MP12C	CF/CM/CU60D	1.00	1.04	0.96
TMLX060A12MP11	CF/CM/CU36B	0.98	0.91	1.12
TMLX060A12MP11	CF/CM36A	0.98	0.91	1.12
TMLX060A12MP11	CF42B	0.97	0.82	1.26
TMLX080B12MP11	CF/CM/CU36B	0.98	0.91	1.12
TMLX080B12MP11	CF/CM/CU36C	0.98	0.96	1.06
TMLX080B12MP11	CF/CM/CU42C	0.97	0.88	1.17
TMLX080B12MP11	CF/CM/CU48C	0.97	0.93	1.11
TMLX080B12MP11	CF/CM/CU60C	0.97	0.95	1.09
TMLX080B12MP11	CF42B	0.98	0.93	1.10
TMLX080C16MP11	CF/CM/CU36C	1.00	1.03	0.97
TMLX080C16MP11	CF/CM/CU42C	0.99	0.95	1.06
TMLX080C16MP11	CF/CM/CU42D	0.98	0.84	1.22
TMLX080C16MP11	CF/CM/CU48C	0.98	0.97	1.05

FURNACE MULTIPLIERS - 3 TON (Continued)

Furnaces	Coil	T.C.	S.C.	KW
TMLX080C16MP11	CF/CM/CU48D	0.98	0.97	1.05
TMLX080C16MP11	CF/CM/CU60C	0.99	1.03	0.98
TMLX080C16MP11	CF/CM/CU60D	0.97	0.90	1.14
TMLX100C16MP11	CF/CM/CU36C	1.00	1.03	0.97
TMLX100C16MP11	CF/CM/CU42C	0.99	0.95	1.06
TMLX100C16MP11	CF/CM/CU42D	0.98	0.84	1.22
TMLX100C16MP11	CF/CM/CU48C	0.98	0.97	1.05
TMLX100C16MP11	CF/CM/CU48D	0.98	0.97	1.05
TMLX100C16MP11	CF/CM/CU60C	0.99	1.03	0.98
TMLX100C16MP11	CF/CM/CU60D	0.97	0.90	1.14
TMLX100C20MP11	CF/CM/CU36C	0.99	0.94	1.08
TMLX100C20MP11	CF/CM/CU42C	0.99	0.98	1.04
TMLX100C20MP11	CF/CM/CU42D	1.00	0.99	1.02
TMLX100C20MP11	CF/CM/CU48C	0.98	0.96	1.07
TMLX100C20MP11	CF/CM/CU48D	0.98	0.98	1.04
TMLX100C20MP11	CF/CM/CU60C	1.00	1.04	0.96
TMLX100C20MP11	CF/CM/CU60D	1.01	1.07	0.93
TMLX120C20MP11	CF/CM/CU36C	0.99	0.94	1.08
TMLX120C20MP11	CF/CM/CU42C	0.99	0.98	1.04
TMLX120C20MP11	CF/CM/CU42D	1.00	0.99	1.02
TMLX120C20MP11	CF/CM/CU48C	0.98	0.96	1.07
TMLX120C20MP11	CF/CM/CU48D	0.98	0.98	1.04
TMLX120C20MP11	CF/CM/CU60C	1.00	1.04	0.96
TMLX120C20MP11	CF/CM/CU60D	1.01	1.07	0.93
TP9C060B12MP13C	CF/CM/CU36B	0.98	0.92	1.10
TP9C060B12MP13C	CF/CM/CU36C	0.99	0.93	1.09
TP9C060B12MP13C	CF/CM/CU42C	0.99	0.90	1.13
TP9C060B12MP13C	CF/CM/CU48C	0.98	0.94	1.09
TP9C060B12MP13C	CF/CM/CU60C	0.98	0.98	1.04
TP9C060B12MP13C	CF42B	0.98	0.89	1.14
TP9C080B12MP13C	CF/CM/CU36B	0.99	0.93	1.09
TP9C080B12MP13C	CF/CM/CU42C	0.98	0.88	1.16
TP9C080B12MP13C	CF/CM/CU48C	0.98	0.94	1.09
TP9C080B12MP13C	CF/CM/CU60C	0.99	1.02	0.99
TP9C080B12MP13C	CF42B	0.99	0.91	1.10
TP9C080C16MP13C	CF/CM/CU36C	0.99	0.92	1.10
TP9C080C16MP13C	CF/CM/CU42C	0.99	0.88	1.15
TP9C080C16MP13C	CF/CM/CU42D	0.99	0.88	1.15
TP9C080C16MP13C	CF/CM/CU48C	0.98	0.96	1.06
TP9C080C16MP13C	CF/CM/CU48D	0.98	0.96	1.06
TP9C080C16MP13C	CF/CM/CU60C	0.99	1.01	1.00
TP9C080C16MP13C	CF/CM/CU60D	0.99	1.02	0.99
TP9C100C16MP13C	CF/CM/CU36C	0.99	0.95	1.06
TP9C100C16MP13C	CF/CM/CU42C	0.99	0.92	1.09
TP9C100C16MP13C	CF/CM/CU42D	1.00	0.93	1.08
TP9C100C16MP13C	CF/CM/CU48C	0.99	0.96	1.05
TP9C100C16MP13C	CF/CM/CU48D	0.99	0.97	1.05
TP9C100C16MP13C	CF/CM/CU60C	0.97	0.90	1.15
TP9C100C16MP13C	CF/CM/CU60D	0.97	0.90	1.14
TP9C100C20MP13C	CF/CM/CU36C	0.99	0.93	1.09
TP9C100C20MP13C	CF/CM/CU42C	0.98	0.85	1.21
TP9C100C20MP13C	CF/CM/CU42D	0.98	0.85	1.20
TP9C100C20MP13C	CF/CM/CU48C	0.98	0.96	1.06
TP9C100C20MP13C	CF/CM/CU48D	0.98	0.96	1.06
TP9C100C20MP13C	CF/CM/CU60C	0.99	1.01	1.00

FURNACE MULTIPLIERS - 3 TON (Continued)

Furnaces	Coil	T.C.	S.C.	KW
TP9C100C20MP13C	CF/CM/CU60D	0.99	1.01	1.00
TP9C120D20MP13C	CF/CM/CU42D	0.98	0.88	1.15
TP9C120D20MP13C	CF/CM/CU48D	0.99	0.97	1.04
TP9C120D20MP13C	CF/CM/CU60D	0.98	0.98	1.05
TPLC060A12MP13C	CF/CM/CU36B	0.99	0.93	1.09
TPLC060A12MP13C	CF42B	0.99	0.91	1.10
TPLC080B12MP13C	CF/CM/CU36C	0.99	0.93	1.09
TPLC080B12MP13C	CF/CM/CU42C	0.99	0.90	1.13
TPLC080B12MP13C	CF/CM/CU48C	0.98	0.94	1.09
TPLC080B12MP13C	CF/CM/CU60C	0.97	0.92	1.12
TPLC080C16MP13C	CF/CM/CU36C	1.01	1.01	0.98
TPLC080C16MP13C	CF/CM/CU42C	0.99	0.89	1.14
TPLC080C16MP13C	CF/CM/CU42D	0.98	0.88	1.16
TPLC080C16MP13C	CF/CM/CU48C	0.98	0.95	1.08
TPLC080C16MP13C	CF/CM/CU48D	0.98	0.96	1.06
TPLC080C16MP13C	CF/CM/CU60C	0.99	1.03	0.98
TPLC080C16MP13C	CF/CM/CU60D	0.99	1.03	0.97
TPLC100C16MP13C	CF/CM/CU36C	1.01	1.01	0.98
TPLC100C16MP13C	CF/CM/CU42C	0.99	0.89	1.14
TPLC100C16MP13C	CF/CM/CU42D	0.98	0.88	1.16
TPLC100C16MP13C	CF/CM/CU48C	0.98	0.95	1.08
TPLC100C16MP13C	CF/CM/CU48D	0.98	0.96	1.06
TPLC100C16MP13C	CF/CM/CU60C	0.99	1.03	0.98
TPLC100C16MP13C	CF/CM/CU60D	0.99	1.03	0.97
TPLC100C20MP13C	CF/CM/CU36C	1.00	1.04	0.96
TPLC100C20MP13C	CF/CM/CU42C	0.99	0.96	1.06
TPLC100C20MP13C	CF/CM/CU42D	0.99	0.96	1.05
TPLC100C20MP13C	CF/CM/CU48C	0.98	0.98	1.04
TPLC100C20MP13C	CF/CM/CU48D	0.98	0.98	1.04
TPLC100C20MP13C	CF/CM/CU60C	1.00	1.04	0.96
TPLC100C20MP13C	CF/CM/CU60D	1.00	1.04	0.96
TPLC120C20MP13C	CF/CM/CU36C	1.00	1.04	0.96
TPLC120C20MP13C	CF/CM/CU42C	0.99	0.96	1.06
TPLC120C20MP13C	CF/CM/CU42D	0.99	0.96	1.05
TPLC120C20MP13C	CF/CM/CU48C	0.98	0.98	1.04
TPLC120C20MP13C	CF/CM/CU48D	0.98	0.98	1.04
TPLC120C20MP13C	CF/CM/CU60C	1.00	1.04	0.96
TPLC120C20MP13C	CF/CM/CU60D	1.00	1.04	0.96
YP9C060B12MP13C	CF/CM/CU36B	0.98	0.92	1.10
YP9C060B12MP13C	CF/CM/CU36C	0.99	0.93	1.09
YP9C060B12MP13C	CF/CM/CU42C	0.99	0.90	1.13
YP9C060B12MP13C	CF/CM/CU48C	0.98	0.94	1.09
YP9C060B12MP13C	CF/CM/CU60C	0.98	0.98	1.04
YP9C060B12MP13C	CF42B	0.98	0.89	1.14
YP9C080B12MP13C	CF/CM/CU36B	0.99	0.93	1.09
YP9C080B12MP13C	CF/CM/CU42C	0.98	0.88	1.16
YP9C080B12MP13C	CF/CM/CU48C	0.98	0.94	1.09
YP9C080B12MP13C	CF/CM/CU60C	0.99	1.02	0.99
YP9C080B12MP13C	CF42B	0.99	0.91	1.10
YP9C080C16MP13C	CF/CM/CU36C	0.99	0.92	1.10
YP9C080C16MP13C	CF/CM/CU42C	0.99	0.88	1.15
YP9C080C16MP13C	CF/CM/CU42D	0.99	0.88	1.15
YP9C080C16MP13C	CF/CM/CU48C	0.98	0.96	1.06
YP9C080C16MP13C	CF/CM/CU48D	0.98	0.96	1.06
YP9C080C16MP13C	CF/CM/CU60C	0.99	1.01	1.00

FURNACE MULTIPLIERS - 3 TON (Continued)

Furnaces	Coil	T.C.	S.C.	KW
YP9C080C16MP13C	CF/CM/CU60D	0.99	1.02	0.99
YP9C100C16MP13C	CF/CM/CU36C	0.99	0.95	1.06
YP9C100C16MP13C	CF/CM/CU42C	0.99	0.92	1.09
YP9C100C16MP13C	CF/CM/CU42D	1.00	0.93	1.08
YP9C100C16MP13C	CF/CM/CU48C	0.99	0.96	1.05
YP9C100C16MP13C	CF/CM/CU48D	0.99	0.97	1.05
YP9C100C16MP13C	CF/CM/CU60C	0.97	0.90	1.15
YP9C100C16MP13C	CF/CM/CU60D	0.97	0.90	1.14
YP9C100C20MP13C	CF/CM/CU36C	0.99	0.93	1.09
YP9C100C20MP13C	CF/CM/CU42C	0.98	0.85	1.21
YP9C100C20MP13C	CF/CM/CU42D	0.98	0.85	1.20
YP9C100C20MP13C	CF/CM/CU48C	0.98	0.96	1.06
YP9C100C20MP13C	CF/CM/CU48D	0.98	0.96	1.06
YP9C100C20MP13C	CF/CM/CU60C	0.99	1.01	1.00
YP9C100C20MP13C	CF/CM/CU60D	0.99	1.01	1.00
YP9C120D20MP13C	CF/CM/CU42D	0.98	0.88	1.15
YP9C120D20MP13C	CF/CM/CU48D	0.99	0.97	1.04
YP9C120D20MP13C	CF/CM/CU60D	0.98	0.98	1.05
YPLC060A12MP13C	CF/CM/CU36B	0.99	0.93	1.09
YPLC060A12MP13C	CF42B	0.99	0.91	1.10
YPLC080B12MP13C	CF/CM/CU36C	0.99	0.93	1.09
YPLC080B12MP13C	CF/CM/CU42C	0.99	0.90	1.13
YPLC080B12MP13C	CF/CM/CU48C	0.98	0.94	1.09
YPLC080B12MP13C	CF/CM/CU60C	0.97	0.92	1.12
YPLC080C16MP13C	CF/CM/CU36C	1.01	1.01	0.98
YPLC080C16MP13C	CF/CM/CU42C	0.99	0.89	1.14
YPLC080C16MP13C	CF/CM/CU42D	0.98	0.88	1.16
YPLC080C16MP13C	CF/CM/CU48C	0.98	0.95	1.08
YPLC080C16MP13C	CF/CM/CU48D	0.98	0.96	1.06
YPLC080C16MP13C	CF/CM/CU60C	0.99	1.03	0.98
YPLC080C16MP13C	CF/CM/CU60D	0.99	1.03	0.97
YPLC100C16MP13C	CF/CM/CU36C	1.01	1.01	0.98
YPLC100C16MP13C	CF/CM/CU42C	0.99	0.89	1.14
YPLC100C16MP13C	CF/CM/CU42D	0.98	0.88	1.16
YPLC100C16MP13C	CF/CM/CU48C	0.98	0.95	1.08
YPLC100C16MP13C	CF/CM/CU48D	0.98	0.96	1.06
YPLC100C16MP13C	CF/CM/CU60C	0.99	1.03	0.98
YPLC100C16MP13C	CF/CM/CU60D	0.99	1.03	0.97
YPLC100C20MP13C	CF/CM/CU36C	1.00	1.04	0.96
YPLC100C20MP13C	CF/CM/CU42C	0.99	0.96	1.06
YPLC100C20MP13C	CF/CM/CU42D	0.99	0.96	1.05
YPLC100C20MP13C	CF/CM/CU48C	0.98	0.98	1.04
YPLC100C20MP13C	CF/CM/CU48D	0.98	0.98	1.04
YPLC100C20MP13C	CF/CM/CU60C	1.00	1.04	0.96
YPLC100C20MP13C	CF/CM/CU60D	1.00	1.04	0.96
YPLC120C20MP13C	CF/CM/CU36C	1.00	1.04	0.96
YPLC120C20MP13C	CF/CM/CU42C	0.99	0.96	1.06
YPLC120C20MP13C	CF/CM/CU42D	0.99	0.96	1.05
YPLC120C20MP13C	CF/CM/CU48C	0.98	0.98	1.04
YPLC120C20MP13C	CF/CM/CU48D	0.98	0.98	1.04
YPLC120C20MP13C	CF/CM/CU60C	1.00	1.04	0.96
YPLC120C20MP13C	CF/CM/CU60D	1.00	1.04	0.96

PERFORMANCE DATA - 4 TON

CONDENSER-ONLY DATA (OUTDOOR UNIT)																
MODEL	SATURATED SUCTION @ COMPRESSOR		Outdoor Ambient Temperature													
			65 °F		75 °F		85 °F		95 °F		105 °F		115 °F		125 °F	
	T (°F)	P (PSIG)	MBH	KW	MBH	KW	MBH	KW	MBH	KW	MBH	KW	MBH	KW	MBH	KW
YZT48B21S	35	107.4	40.73	2.09	39.51	2.43	38.29	2.76	37.07	3.09	35.84	3.42	34.62	3.76	33.40	4.09
	40	118.6	46.42	2.13	44.53	2.46	42.64	2.79	40.74	3.12	38.85	3.45	36.95	3.78	35.06	4.12
	45	130.4	52.12	2.16	49.55	2.49	46.99	2.82	44.42	3.15	41.85	3.48	39.29	3.81	36.72	4.14
	50	143.0	57.81	2.20	54.57	2.53	51.33	2.85	48.10	3.18	44.86	3.51	41.62	3.84	38.38	4.17
	55	156.3	63.50	2.23	59.59	2.56	55.68	2.89	51.77	3.21	47.86	3.54	43.95	3.86	40.04	4.19
	60	170.3	69.19	2.27	64.61	2.59	60.03	2.92	55.45	3.24	50.87	3.57	46.29	3.89	41.71	4.22

Notes:

- For Outdoor Unit (Condenser) performance only. Data does not include the effects of air handler power or heat.
- Performance based on 15°F subcooling and 15°F superheat at the Outdoor Unit base valves.
 - Increase capacity by 1% for each 2°F increase in subcooling.
 - Decrease capacity by 1% for each 2°F decrease in subcooling.
- Maximum recommended condensing temperature is 140°F.

COOLING PERFORMANCE DATA																	
AIR CONDITIONER MODEL NO.		YZT48B21S															
AIR TEMP. ENTERING OUTDOOR UNIT (°F)	IDCFM	1350					1600					1850					
		ID DB (°F)	80	80	75	80	80	80	80	75	80	80	80	80	75	80	80
		ID WB (°F)	57	62	62	67	72	57	62	62	67	72	57	62	62	67	72
65	T.C.	55.6	51.8	49.3	55.7	52.4	55.2	53.6	50.5	56.1	51.4	54.9	55.4	51.7	56.6	50.4	
	S.C.	46.4	42.3	34.8	35.4	24.3	48.8	45.9	37.5	36.6	24.8	51.3	49.5	40.1	37.8	25.3	
	KW	2.53	2.52	2.52	2.55	2.58	2.62	2.62	2.63	2.65	2.68	2.71	2.73	2.73	2.75	2.78	
75	T.C.	45.9	50.2	47.7	53.2	53.3	49.4	52.1	49.1	54.4	53.3	52.9	53.9	50.6	55.5	53.4	
	S.C.	40.6	41.3	33.9	34.4	25.8	45.0	44.7	36.5	36.5	26.6	49.5	48.1	39.2	38.5	27.4	
	KW	2.35	2.78	2.78	2.81	2.84	2.66	2.88	2.88	2.91	2.94	2.97	2.98	2.98	3.01	3.04	
85	T.C.	36.3	48.6	46.0	50.8	54.2	43.6	50.5	47.7	52.6	55.3	50.9	52.4	49.5	54.4	56.4	
	S.C.	34.7	40.4	32.9	33.5	27.2	41.2	43.6	35.6	36.4	28.3	47.8	46.8	38.3	39.2	29.4	
	KW	2.17	3.03	3.03	3.06	3.09	2.70	3.14	3.13	3.17	3.19	3.22	3.24	3.24	3.27	3.29	
95	T.C.	39.6	45.9	43.7	48.3	51.9	44.4	48.1	45.4	49.2	52.7	49.1	50.3	47.1	50.2	53.5	
	S.C.	37.6	39.4	32.2	32.3	26.0	41.9	42.8	35.0	35.1	27.0	46.2	46.2	37.8	38.0	28.1	
	KW	2.92	3.36	3.36	3.39	3.41	3.23	3.46	3.46	3.50	3.52	3.54	3.57	3.56	3.60	3.62	
105	T.C.	43.0	43.2	41.3	45.7	49.5	45.2	45.6	43.0	45.9	50.0	47.4	48.1	44.7	46.0	50.6	
	S.C.	40.5	38.3	31.4	31.2	24.7	42.5	41.9	34.3	33.9	25.8	44.5	45.6	37.2	36.7	26.8	
	KW	3.67	3.69	3.69	3.72	3.73	3.77	3.79	3.79	3.82	3.84	3.87	3.90	3.89	3.92	3.94	
115	T.C.	40.8	41.8	40.1	44.0	47.1	43.2	44.0	41.6	44.9	47.6	45.5	46.3	43.1	45.7	48.1	
	S.C.	39.2	37.8	31.1	30.5	23.7	41.1	40.9	33.7	33.3	24.8	42.9	44.0	36.3	36.2	25.8	
	KW	4.03	4.05	4.05	4.08	4.09	4.13	4.15	4.15	4.17	4.19	4.23	4.25	4.24	4.27	4.29	
125	T.C.	38.6	40.4	38.8	42.3	44.8	41.1	42.4	40.1	43.8	45.2	43.7	44.5	41.5	45.3	45.6	
	S.C.	37.8	37.3	30.7	29.8	22.7	39.6	39.9	33.1	32.7	23.7	41.4	42.5	35.5	35.6	24.8	
	KW	4.39	4.40	4.40	4.43	4.45	4.49	4.51	4.50	4.53	4.55	4.60	4.61	4.60	4.63	4.65	

NOTE: ALL CAPACITIES INCLUDE INDOOR FAN HEAT. KW VALUES ARE FOR THE SYSTEM (OUTDOOR + INDOOR).

Green shaded cells are ACCA (TVA) conditions.

Blue shaded cells are AHRI conditions.

Multipliers for determining the performance with other indoor sections.

NOTE: For dry bulb temperatures different than those listed (between 73-87 °F), sensible capacity increases by 1060 BTUH per 1000 CFM per degree above the listed temperature and decreases by 1060 BTUH per 1000 CFM per degree below the listed temperature.

COIL MULTIPLIERS - 4 TON

Air Handler	Coil	T.C.	S.C.	KW
AE60DX21	–	1.00	1.08	1.00
AVC60DX21	–	1.00	1.09	1.00
ME20DN21	CF/CM64D	1.01	1.10	1.01
MVC20DN21	CF/CM64D	1.00	1.00	1.00

FURNACE MULTIPLIERS - 4 TON

Furnaces	Coil	T.C.	S.C.	KW
TM8V080C16MP12C	CF/CM64D	0.99	1.09	1.03
TM8V100C16MP12C	CF/CM64D	0.99	1.09	1.03
TM8V100C20MP12C	CF/CM64D	1.00	1.08	1.00
TM8V120C20MP12C	CF/CM64D	1.00	1.08	1.00
TM8X080C16MP11	CF/CM64D	1.00	1.12	1.06
TM8X100C16MP11	CF/CM64D	1.00	1.12	1.06
TM8X100C20MP11	CF/CM64D	1.00	1.08	1.04
TM8X120C20MP11	CF/CM64D	1.00	1.08	1.04
TM8Y080C16MP11	CF/CM64D	1.00	1.12	1.06
TM8Y100C16MP11	CF/CM64D	1.00	1.12	1.06
TM8Y100C20MP11	CF/CM64D	1.00	1.08	1.04
TM8Y120C20MP11	CF/CM64D	1.00	1.08	1.04
TM9E100C16MP11	CF/CM64D	0.99	1.09	1.05
TM9E100C20MP11	CF/CM64D	0.99	1.08	1.03
TM9E120D20MP11	CF/CM64D	1.00	1.08	1.04
TM9V080C16MP12C	CF/CM64D	0.99	1.09	1.03
TM9V100C16MP12C	CF/CM64D	1.00	1.09	1.04
TM9V100C20MP12C	CF/CM64D	0.99	1.08	1.03
TM9V120D20MP12C	CF/CM64D	1.00	1.09	1.00
TM9Y100C16MP11	CF/CM64D	0.99	1.09	1.05
TM9Y100C20MP11	CF/CM64D	0.99	1.08	1.03
TM9Y120D20MP11	CF/CM64D	1.00	1.08	1.04
TMLV080C16MP12C	CF/CM64D	0.99	1.09	1.03
TMLV100C16MP12C	CF/CM64D	0.99	1.09	1.03
TMLV100C20MP12C	CF/CM64D	1.00	1.08	1.00
TMLV120C20MP12C	CF/CM64D	1.00	1.08	1.00
TMLX080C16MP11	CF/CM64D	1.00	1.12	1.06
TMLX100C16MP11	CF/CM64D	1.00	1.12	1.06
TMLX100C20MP11	CF/CM64D	1.00	1.08	1.04
TMLX120C20MP11	CF/CM64D	1.00	1.08	1.04
TP9C080C16MP13C	CF/CM64D	0.99	1.09	1.03
TP9C100C16MP13C	CF/CM64D	1.00	1.09	1.04
TP9C100C20MP13C	CF/CM64D	0.99	1.08	1.03
TP9C120D20MP13C	CF/CM64D	1.00	1.09	1.00
TPLC080C16MP13C	CF/CM64D	0.99	1.09	1.03
TPLC100C16MP13C	CF/CM64D	0.99	1.09	1.03
TPLC100C20MP13C	CF/CM64D	1.00	1.08	1.00
TPLC120C20MP13C	CF/CM64D	1.00	1.08	1.00
YP9C080C16MP13C	CF/CM64D	0.99	1.09	1.03
YP9C100C16MP13C	CF/CM64D	1.00	1.09	1.04
YP9C100C20MP13C	CF/CM64D	0.99	1.08	1.03
YP9C120D20MP13C	CF/CM64D	1.00	1.09	1.00
YPLC080C16MP13C	CF/CM64D	0.99	1.09	1.03
YPLC100C16MP13C	CF/CM64D	0.99	1.09	1.03
YPLC100C20MP13C	CF/CM64D	1.00	1.08	1.00
YPLC120C20MP13C	CF/CM64D	1.00	1.08	1.00

HEATING PERFORMANCE DATA										
CONDENSING UNIT MODEL NO		YZT48B21S								
AIR TEMP. ENTERING OUTDOOR UNIT (°F)	AIR TEMP. ENTERING INDOOR COIL (°F)	ID CFM								
		1350			1600			1850		
		MBH	COP	KW	MBH	COP	KW	MBH	COP	KW
60	60	63.9	4.62	4.05	64.4	4.74	3.98	64.9	4.86	3.91
	70	62.8	4.15	4.48	63.3	4.27	4.39	63.8	4.39	4.31
	80	61.8	3.69	4.90	62.3	3.80	4.80	62.8	3.91	4.70
47	60	55.4	4.23	3.84	56.2	4.32	3.81	57.0	4.42	3.78
	70	47.3	3.79	3.63	48.1	3.87	3.62	49.0	3.95	3.61
	80	39.1	3.34	3.43	40.0	3.41	3.44	40.9	3.47	3.45
40	60	51.7	4.02	3.77	52.6	4.12	3.74	53.4	4.21	3.72
	70	51.3	3.65	4.16	52.1	3.74	4.12	52.9	3.82	4.09
	80	50.8	3.28	4.55	51.6	3.36	4.51	52.4	3.44	4.47
30	60	46.2	3.72	3.64	46.7	3.76	3.64	47.2	3.79	3.64
	70	44.5	3.29	4.01	45.7	3.38	4.00	46.8	3.47	3.98
	80	42.8	2.86	4.38	44.7	3.01	4.35	46.5	3.15	4.32
17	60	31.2	3.05	2.99	31.5	3.07	3.00	31.7	3.09	3.01
	70	31.3	2.80	3.30	31.0	2.78	3.29	30.7	2.76	3.28
	80	31.5	2.55	3.61	30.5	2.49	3.59	29.6	2.44	3.56
10	60	28.3	2.81	2.95	29.0	2.84	2.99	29.67	2.87	3.02
	70	27.6	2.54	3.22	28.1	2.56	3.25	28.6	2.58	3.28
	80	27.0	2.27	3.49	27.3	2.28	3.51	27.6	2.29	3.53

NOTE: ALL CAPACITIES INCLUDE INDOOR FAN HEAT. KW VALUES ARE FOR THE SYSTEM (OUTDOOR + INDOOR).

Yellow shaded cells are AHRI High Heating conditions.

Orange shaded cells are AHRI Low Heating conditions.

Multipliers for determining the performance with other indoor sections.

COIL MULTIPLIERS - 4 TON

Air Handler	Coil	MBH	COP	KW
AE60DX21	-	1.00	1.02	0.98
AVC60DX21	-	1.00	1.01	0.99
ME20DN21	CF/CM64D	1.00	1.03	0.97
MVC20DN21	CF/CM64D	1.00	1.00	1.00

FURNACE MULTIPLIERS - 4 TON

Furnaces	Coil	T.C.	S.C.	KW
TM8V080C16MP12C	CF/CM64D	0.99	0.99	1.02
TM8V100C16MP12C	CF/CM64D	0.99	0.99	1.02
TM8V100C20MP12C	CF/CM64D	1.00	1.01	1.00
TM8V120C20MP12C	CF/CM64D	1.00	1.01	1.00
TM8X080C16MP11	CF/CM64D	0.97	0.98	1.05
TM8X100C16MP11	CF/CM64D	0.97	0.98	1.05
TM8X100C20MP11	CF/CM64D	1.00	1.01	1.00
TM8X120C20MP11	CF/CM64D	1.00	1.01	1.00
TM8Y080C16MP11	CF/CM64D	0.97	0.98	1.05
TM8Y100C16MP11	CF/CM64D	0.97	0.98	1.05
TM8Y100C20MP11	CF/CM64D	1.00	1.01	1.00
TM8Y120C20MP11	CF/CM64D	1.00	1.01	1.00
TM9E100C16MP11	CF/CM64D	0.99	0.98	1.03
TM9E100C20MP11	CF/CM64D	0.99	0.99	1.02
TM9E120D20MP11	CF/CM64D	0.99	1.00	1.01
TM9V080C16MP12C	CF/CM64D	0.99	0.98	1.03
TM9V100C16MP12C	CF/CM64D	0.98	0.98	1.04
TM9V100C20MP12C	CF/CM64D	0.99	0.99	1.02
TM9V120D20MP12C	CF/CM64D	1.00	1.01	1.00

FURNACE MULTIPLIERS - 4 TON (Continued)

Furnaces	Coil	T.C.	S.C.	KW
TM9Y100C16MP11	CF/CM64D	0.99	0.98	1.03
TM9Y100C20MP11	CF/CM64D	0.99	0.99	1.02
TM9Y120D20MP11	CF/CM64D	0.99	1.00	1.01
TMLV080C16MP12C	CF/CM64D	0.99	0.99	1.02
TMLV100C16MP12C	CF/CM64D	0.99	0.99	1.02
TMLV100C20MP12C	CF/CM64D	1.00	1.01	1.00
TMLV120C20MP12C	CF/CM64D	1.00	1.01	1.00
TMLX080C16MP11	CF/CM64D	0.97	0.98	1.05
TMLX100C16MP11	CF/CM64D	0.97	0.98	1.05
TMLX100C20MP11	CF/CM64D	1.00	1.01	1.00
TMLX120C20MP11	CF/CM64D	1.00	1.01	1.00
TP9C080C16MP13C	CF/CM64D	0.99	0.98	1.03
TP9C100C16MP13C	CF/CM64D	0.98	0.98	1.04
TP9C100C20MP13C	CF/CM64D	0.99	0.99	1.02
TP9C120D20MP13C	CF/CM64D	1.00	1.01	1.00
TPLC080C16MP13C	CF/CM64D	0.99	0.99	1.02
TPLC100C16MP13C	CF/CM64D	0.99	0.99	1.02
TPLC100C20MP13C	CF/CM64D	1.00	1.01	1.00
TPLC120C20MP13C	CF/CM64D	1.00	1.01	1.00
YP9C080C16MP13C	CF/CM64D	0.99	0.98	1.03
YP9C100C16MP13C	CF/CM64D	0.98	0.98	1.04
YP9C100C20MP13C	CF/CM64D	0.99	0.99	1.02
YP9C120D20MP13C	CF/CM64D	1.00	1.01	1.00
YPLC080C16MP13C	CF/CM64D	0.99	0.99	1.02
YPLC100C16MP13C	CF/CM64D	0.99	0.99	1.02
YPLC100C20MP13C	CF/CM64D	1.00	1.01	1.00
YPLC120C20MP13C	CF/CM64D	1.00	1.01	1.00

PERFORMANCE DATA - 5 TON

CONDENSER-ONLY DATA (OUTDOOR UNIT)																
MODEL	SATURATED SUCTION @ COMPRESSOR		Outdoor Ambient Temperature													
			65 °F		75 °F		85 °F		95 °F		105 °F		115 °F		125 °F	
	T (°F)	P (PSIG)	MBH	KW	MBH	KW	MBH	KW	MBH	KW	MBH	KW	MBH	KW	MBH	KW
YZT60B21S	35	107.4	49.34	2.56	48.29	2.96	47.25	3.37	46.21	3.78	45.16	4.18	44.12	4.59	43.07	4.99
	40	118.6	56.98	2.63	54.83	3.03	52.68	3.44	50.53	3.84	48.38	4.24	46.23	4.64	44.08	5.05
	45	130.4	64.62	2.70	61.36	3.10	58.11	3.50	54.85	3.90	51.59	4.30	48.33	4.70	45.08	5.10
	50	143.0	72.26	2.78	67.90	3.17	63.53	3.57	59.17	3.96	54.81	4.36	50.44	4.76	46.08	5.15
	55	156.3	79.90	2.85	74.43	3.24	68.96	3.64	63.49	4.03	58.02	4.42	52.55	4.81	47.08	5.20
	60	170.3	87.55	2.93	80.97	3.31	74.39	3.70	67.81	4.09	61.24	4.48	54.66	4.87	48.08	5.26

Notes:

- For Outdoor Unit (Condenser) performance only. Data does not include the effects of air handler power or heat.
- Performance based on 15°F subcooling and 15°F superheat at the Outdoor Unit base valves.
 - Increase capacity by 1% for each 2°F increase in subcooling.
 - Decrease capacity by 1% for each 2°F decrease in subcooling.
- Maximum recommended condensing temperature is 140°F.

COOLING PERFORMANCE DATA																
AIR CONDITIONER MODEL NO.																
AIR TEMP. ENTERING OUTDOOR UNIT (°F)	IDCFM	80					75					80				
		ID DB (°F)	80	80	75	80	80	80	80	75	80	80	80	80	75	80
	ID WB (°F)	57	62	62	67	72	57	62	62	67	72	57	62	62	67	72
NOTE: ALL CAPACITIES INCLUDE INDOOR FAN HEAT. KW VALUES ARE FOR THE SYSTEM (OUTDOOR + INDOOR).																
Green shaded cells are ACCA (TVA) conditions.																
Blue shaded cells are AHRI conditions.																

Multipliers for determining the performance with other indoor sections.

NOTE: For dry bulb temperatures different than those listed (between 73-87 °F), sensible capacity increases by 1060 BTUH per 1000 CFM per degree above the listed temperature and decreases by 1060 BTUH per 1000 CFM per degree below the listed temperature.

COIL MULTIPLIERS - 5 TON

Air Handler	Coil	T.C.	S.C.	KW
AE60DX21	–	1.00	1.05	1.00
AVC60DX21	–	1.00	1.06	1.04
ME20DN21	CF/CM64D	1.01	1.07	1.01
MVC20DN21	CF/CM64D	1.00	1.00	1.00

FURNACE MULTIPLIERS - 5 TON

Furnaces	Coil	T.C.	S.C.	KW
TM8V100C20MP12C	CF/CM64D	1.00	1.05	1.04
TM8V120C20MP12C	CF/CM64D	1.00	1.05	1.04
TM8X100C20MP11	CF/CM64D	1.00	1.05	1.04
TM8X120C20MP11	CF/CM64D	1.00	1.05	1.04
TM8Y100C20MP11	CF/CM64D	1.00	1.05	1.04
TM8Y120C20MP11	CF/CM64D	1.00	1.05	1.04
TM9E100C20MP11	CF/CM64D	0.99	1.05	1.05
TM9E120D20MP11	CF/CM64D	1.00	1.05	1.04
TM9V100C20MP12C	CF/CM64D	1.00	1.06	1.06
TM9V120D20MP12C	CF/CM64D	1.00	1.05	1.04
TM9Y100C20MP11	CF/CM64D	0.99	1.05	1.05
TM9Y120D20MP11	CF/CM64D	1.00	1.05	1.04
TMLV100C20MP12C	CF/CM64D	1.00	1.05	1.04
TMLV120C20MP12C	CF/CM64D	1.00	1.05	1.04
TMLX100C20MP11	CF/CM64D	1.00	1.05	1.04
TMLX120C20MP11	CF/CM64D	1.00	1.05	1.04
TP9C100C20MP13C	CF/CM64D	1.00	1.06	1.06
TP9C120D20MP13C	CF/CM64D	1.00	1.05	1.04
TPLC100C20MP13C	CF/CM64D	1.00	1.05	1.04
TPLC120C20MP13C	CF/CM64D	1.00	1.05	1.04
YP9C100C20MP13C	CF/CM64D	1.00	1.06	1.06
YP9C120D20MP13C	CF/CM64D	1.00	1.05	1.04
YPLC100C20MP13C	CF/CM64D	1.00	1.05	1.04
YPLC120C20MP13C	CF/CM64D	1.00	1.05	1.04

HEATING PERFORMANCE DATA										
CONDENSING UNIT MODEL NO			YZT60B21S							
AIR TEMP. ENTERING OUTDOOR UNIT (°F)	AIR TEMP. ENTERING INDOOR COIL (°F)	ID CFM								
		1500			1800			2100		
		MBH	COP	KW	MBH	COP	KW	MBH	COP	KW
60	60	70.6	4.63	4.47	72.1	4.86	4.35	73.6	5.10	4.23
	70	69.4	4.18	4.91	70.7	4.39	4.77	72.0	4.60	4.63
	80	68.3	3.74	5.35	69.3	3.92	5.19	70.4	4.10	5.03
47	60	60.3	4.09	4.31	61.5	4.29	4.20	62.7	4.49	4.09
	70	58.0	3.61	4.77	59.5	3.80	4.64	60.9	4.00	4.52
	80	55.8	3.12	5.23	57.4	3.31	5.09	59.1	3.50	4.95
40	60	53.8	3.80	4.15	54.8	3.95	4.06	55.8	4.11	3.98
	70	52.4	3.38	4.59	53.2	3.52	4.48	54.1	3.67	4.37
	80	50.9	2.97	5.03	51.7	3.10	4.90	52.4	3.23	4.76
30	60	47.3	3.45	4.01	48.1	3.57	3.95	48.9	3.68	3.89
	70	46.0	3.08	4.42	46.7	3.18	4.36	47.3	3.27	4.29
	80	44.7	2.72	4.82	45.2	2.78	4.76	45.7	2.85	4.70
17	60	35.2	2.72	3.80	38.8	2.95	3.84	42.3	3.19	3.89
	70	36.8	2.58	4.21	39.0	2.78	4.14	41.3	2.98	4.07
	80	38.4	2.43	4.63	39.3	2.60	4.44	40.2	2.77	4.25
10	60	29.9	2.38	3.67	34.2	2.67	3.75	38.54	2.95	3.83
	70	32.7	2.33	4.12	34.9	2.48	4.14	37.1	2.63	4.17
	80	35.5	2.28	4.56	35.6	2.30	4.54	35.7	2.32	4.51

NOTE: ALL CAPACITIES INCLUDE INDOOR FAN HEAT. KW VALUES ARE FOR THE SYSTEM (OUTDOOR + INDOOR).

Yellow shaded cells are AHRI High Heating conditions.

Orange shaded cells are AHRI Low Heating conditions.

Multipliers for determining the performance with other indoor sections.

COIL MULTIPLIERS - 5 TON

Air Handler	Coil	MBH	COP	KW
AE60DX21	–	1.00	1.02	0.98
AVC60DX21	–	1.00	1.01	0.99
ME20DN21	CF/CM64D	1.00	1.03	0.97
MVC20DN21	CF/CM64D	1.00	1.00	1.00

FURNACE MULTIPLIERS - 5 TON

Furnaces	Coil	T.C.	S.C.	KW
TM8V100C20MP12C	CF/CM64D	1.00	1.00	1.00
TM8V120C20MP12C	CF/CM64D	1.00	1.00	1.00
TM8X100C20MP11	CF/CM64D	1.00	1.00	1.00
TM8X120C20MP11	CF/CM64D	1.00	1.00	1.00
TM8Y100C20MP11	CF/CM64D	1.00	1.00	1.00
TM8Y120C20MP11	CF/CM64D	1.00	1.00	1.00
TM9E100C20MP11	CF/CM64D	0.99	0.98	1.02
TM9E120D20MP11	CF/CM64D	0.99	1.00	1.01
TM9V100C20MP12C	CF/CM64D	0.99	0.99	1.01
TM9V120D20MP12C	CF/CM64D	0.99	1.00	1.01
TM9Y100C20MP11	CF/CM64D	0.99	0.98	1.02
TM9Y120D20MP11	CF/CM64D	0.99	1.00	1.01
TMLV100C20MP12C	CF/CM64D	1.00	1.00	1.00
TMLV120C20MP12C	CF/CM64D	1.00	1.00	1.00
TMLX100C20MP11	CF/CM64D	1.00	1.00	1.00
TMLX120C20MP11	CF/CM64D	1.00	1.00	1.00
TP9C100C20MP13C	CF/CM64D	0.99	0.99	1.01
TP9C120D20MP13C	CF/CM64D	0.99	1.00	1.01
TPLC100C20MP13C	CF/CM64D	1.00	1.00	1.00
TPLC120C20MP13C	CF/CM64D	1.00	1.00	1.00
YP9C100C20MP13C	CF/CM64D	0.99	0.99	1.01
YP9C120D20MP13C	CF/CM64D	0.99	1.00	1.01
YPLC100C20MP13C	CF/CM64D	1.00	1.00	1.00
YPLC120C20MP13C	CF/CM64D	1.00	1.00	1.00

NOTES