

# INSTALLATION MANUAL

**R-410A 2-STAGE OUTDOOR  
SPLIT-SYSTEM AIR CONDITIONING**  
**MODELS: 17 & 19 SEER**  
**YFK, CC17, TC17,**  
**YXT, AC19, AL19 SERIES**  
**2 – 5 TONS – 1 PHASE**



## LIST OF SECTIONS

GENERAL .....	1	SYSTEM CHARGE .....	7
SAFETY .....	1	ELECTRICAL CONNECTIONS .....	10
UNIT INSTALLATION .....	2	INSTRUCTING THE OWNER .....	23
COIL METERING DEVICES .....	6	WIRING DIAGRAMS .....	24
EVACUATION .....	7	START UP SHEET .....	27

## LIST OF FIGURES

Typical Installation Clearances .....	3	Conventional Low Voltage Molex Plug .....	12
Alternative Installation Clearances .....	3	Communicating Low Voltage Molex Plug (19 SEER) .....	12
Insulation of Vapor Line .....	5	Demand Response Wiring .....	13
Underground Installation .....	5	19 SEER 2-Stage Only Using Communicating Interface Control ...	13
Heat Protection .....	5	Thermostat Chart - Two Stage AC – Two Stage Furnace .....	14
TXV Installation .....	6	Thermostat Chart - Two Stage AC – Two Stage Furnace .....	15
TXV Bulb and Equalizer Line Installations .....	7	Thermostat Chart - Two Stage AC – Modulating Furnace .....	16
Proper TXV Bulb Location .....	7	Thermostat Chart - Two Stage AC – Modulating Furnace .....	17
Vertical Temperature Bulb Orientation .....	7	Thermostat Chart - Two Stage AC – Variable Speed Air Handler ..	18
System Charging Connections .....	9	Thermostat Chart - Two Stage AC – Variable Speed Air Handler ..	19
Outdoor Unit Control Box .....	10	17 SEER 2-Stage Equipment - Wiring Diagram .....	24
Typical 2-Stage Conventional Field Wiring - AC .....	11	19 SEER 2-Stage Equipment - Wiring Diagram .....	25
Typical Communicating Field Wiring (Air Handler / Furnace) .....	11		

## LIST OF TABLES

Minimum / Maximum Operating Limit Conditions .....	2	Status Code Display & Timing .....	21
R-410A Saturation Properties .....	9	Fault Code .....	21
Status Code .....	20		

**IMPORTANT:** It is recommended before starting the system to connect the thermostat to Wi-Fi using a local network or portable hot-spot so the thermostat and system receive the latest software updates to optimize system performance only if using this in communicating configuration. This notice does not apply to conventionally wired equipment.

## SECTION I: GENERAL

The outdoor units are designed to be connected to a matching indoor coil with sweat connect lines. Sweat connect units are factory charged with refrigerant for a nominal sized matching indoor coil plus 15 feet of field-supplied lines.

## SECTION II: SAFETY



This is a safety alert symbol. When you see this symbol on labels or in manuals, be alert to the potential for personal injury.

Understand and pay particular attention to the signal words **DANGER**, **WARNING**, or **CAUTION**.

**DANGER** indicates an **imminently** hazardous situation, which, if not avoided, **will result in death or serious injury**.

**WARNING** indicates a **potentially** hazardous situation, which, if not avoided, **could result in death or serious injury**.

**CAUTION** indicates a potentially hazardous situation, which, if not avoided **may result in minor or moderate injury**. It is also used to alert against unsafe practices and hazards involving only property damage.

## WARNING

*Improper installation may create a condition where the operation of the product could cause personal injury or property damage.*

*Improper installation, adjustment, alteration, service or maintenance can cause injury or property damage. Refer to this manual for assistance or for additional information, consult a qualified contractor, installer or service agency.*

## CAUTION

*This product must be installed in strict compliance with the enclosed installation instructions and any applicable local, state, and national codes including, but not limited to building, electrical, and mechanical codes.*

## CAUTION

*R-410A systems operate at higher pressures than R-22 systems. Do not use R-22 service equipment or components on R-410A equipment. Service equipment **Must Be Rated** for R-410A.*

## INSPECTION

As soon as a unit is received, it should be inspected for possible damage during transit including copper distributor lines that may have shifting during transit, and are touching either copper lines or the cabinet. If damage is evident, the extent of the damage should be noted on the carrier's delivery receipt. A separate request for inspection by the carrier's agent should be made in writing. See Local Distributor for more information.

### Requirements For Installing/Service R-410A Equipment

- Gauge sets, hoses, refrigerant containers, and recovery system must be designed to handle the POE type oils, and the higher pressures of R-410A.
- Manifold sets should be high side and low side with low side retard.
- All hoses must have a 700 psig service pressure rating.
- Leak detectors should be designed to detect HFC refrigerant.
- Recovery equipment (including refrigerant recovery containers) must be specifically designed to handle R-410A.

## LIMITATIONS

The unit should be installed in accordance with all National, State and Local Safety Codes and the limitations listed below:

1. Limitations for the indoor unit, coil, and appropriate accessories must also be observed.
2. The outdoor unit must not be installed with any duct work in the air stream. The outdoor fan is the propeller type and is not designed to operate against any additional external static pressure.
3. The maximum and minimum conditions for operation must be observed to ensure a system will give maximum performance with minimal service.
4. These 2-stage units will operate down to the value noted in Table 1 without the need for a Low Ambient kit. Operation below the value in Table 1 is not advised and the outdoor control board will stop operation control board will stop operation below 35°F and the unit control board will not allow cooling operation below 35°F outdoor ambient temperature. **DO NOT** modify the control System for these models to operate with any kind of Low Ambient kit.
5. If this equipment is to be used in a low ambient outdoor application, (below 55°F) a compressor crank case is heater accessory must be applied. With the addition of a crankcase heater the unit will operate down to 35 deg F. If run in cooling, mode below 35 Deg F the unit will lockout.  
Refer to [www.simplygettingthejobdone.com](http://www.simplygettingthejobdone.com) or price pages for the appropriate Crank Case Heater for your model.

**TABLE 1:** Minimum / Maximum Operating Limit Conditions

AIR TEMPERATURE AT OUTDOOR COIL, °F (°C)		AIR TEMPERATURE AT INDOOR COIL, °F (°C)	
Min.	Max.	Min.	Max.
DB Cool	DB Cool	WB Cool	WB Cool
35-54(2-12) <sup>1</sup>	125(52)	57(14)	72(22)
55 (13) <sup>2</sup>			

1. With Crankcase Heater Kit.
2. Without Crankcase Heater Kit.

The maximum allowable line length for this product is 80 feet. To install more than the maximum allowable line length, consult the Piping Application Guide (P/N 247077).

## SECTION III: UNIT INSTALLATION

### LOCATION

Before starting the installation, select and check the suitability of the location for both the indoor and outdoor unit. Observe all limitations and clearance requirements.

The outdoor unit must have sufficient clearance for air entrance to the outdoor coil, air discharge, and service access. See Figure 1.

## NOTICE

*For multiple unit installations, units must be spaced a minimum of 24" (61 cm) apart (coil face to coil face).*

If the unit is to be installed on a hot sun exposed roof or a paved ground area that is seasonally hot, the unit should be raised sufficiently above the roof or ground to avoid taking the accumulated layer of hot air into the outdoor unit.

If the system is being installed during seasonally cold weather of 55°F or below, the preferred method is to weigh in the charge. For charging or checking the system charge at 55°F or below, refer to the "Optional Cold Weather Charging" procedures near the end of SECTION VI: SYSTEM CHARGE. There is an "Optional Cold Weather Charging" accessory kit to prevent the outdoor unit from taking in cold air below 55°F. The kit part number can be found in the list of accessory kits at [www.simplygettingthejobdone.com](http://www.simplygettingthejobdone.com).

Provide adequate structural support for the unit.

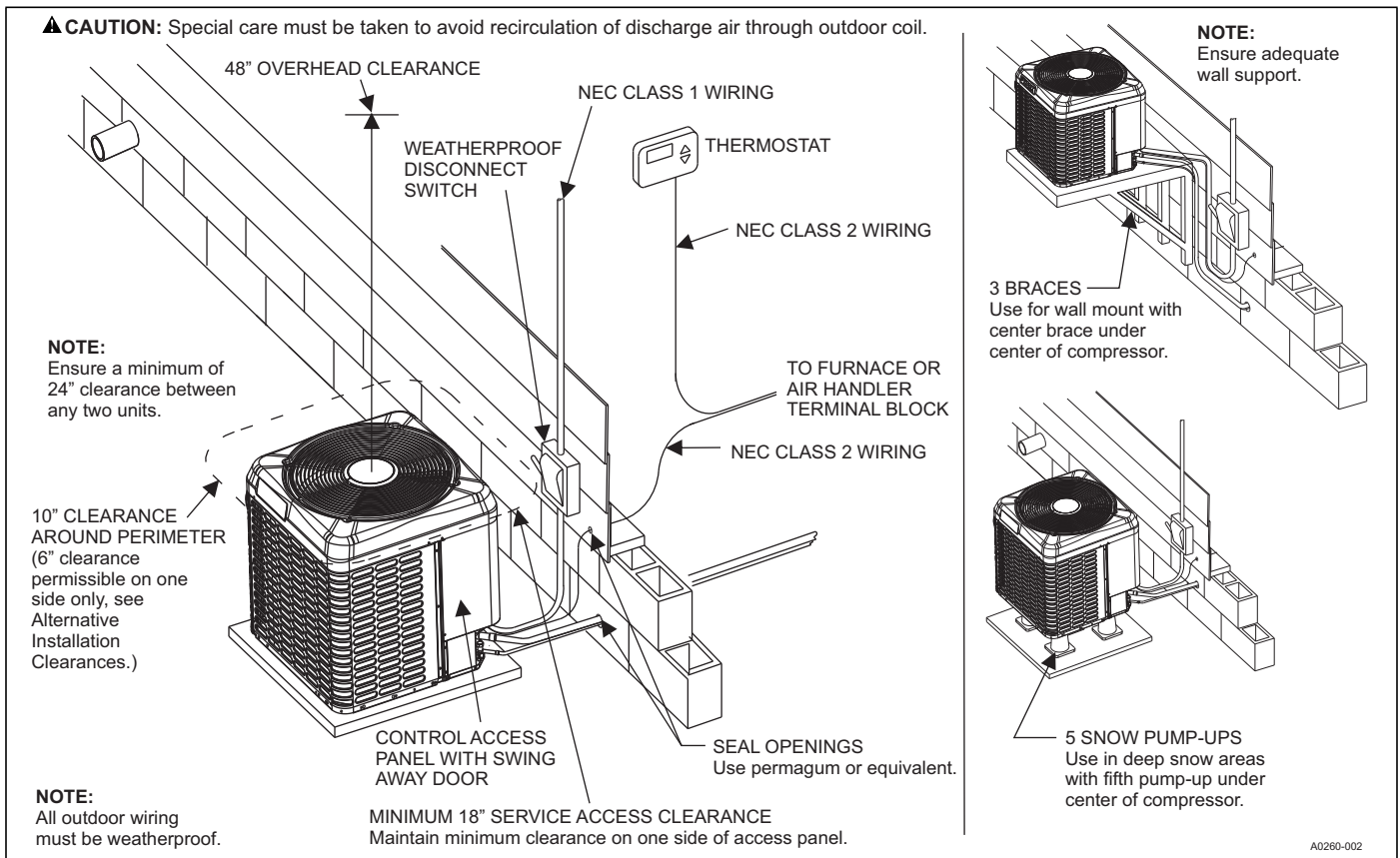


FIGURE 1: Typical Installation Clearances

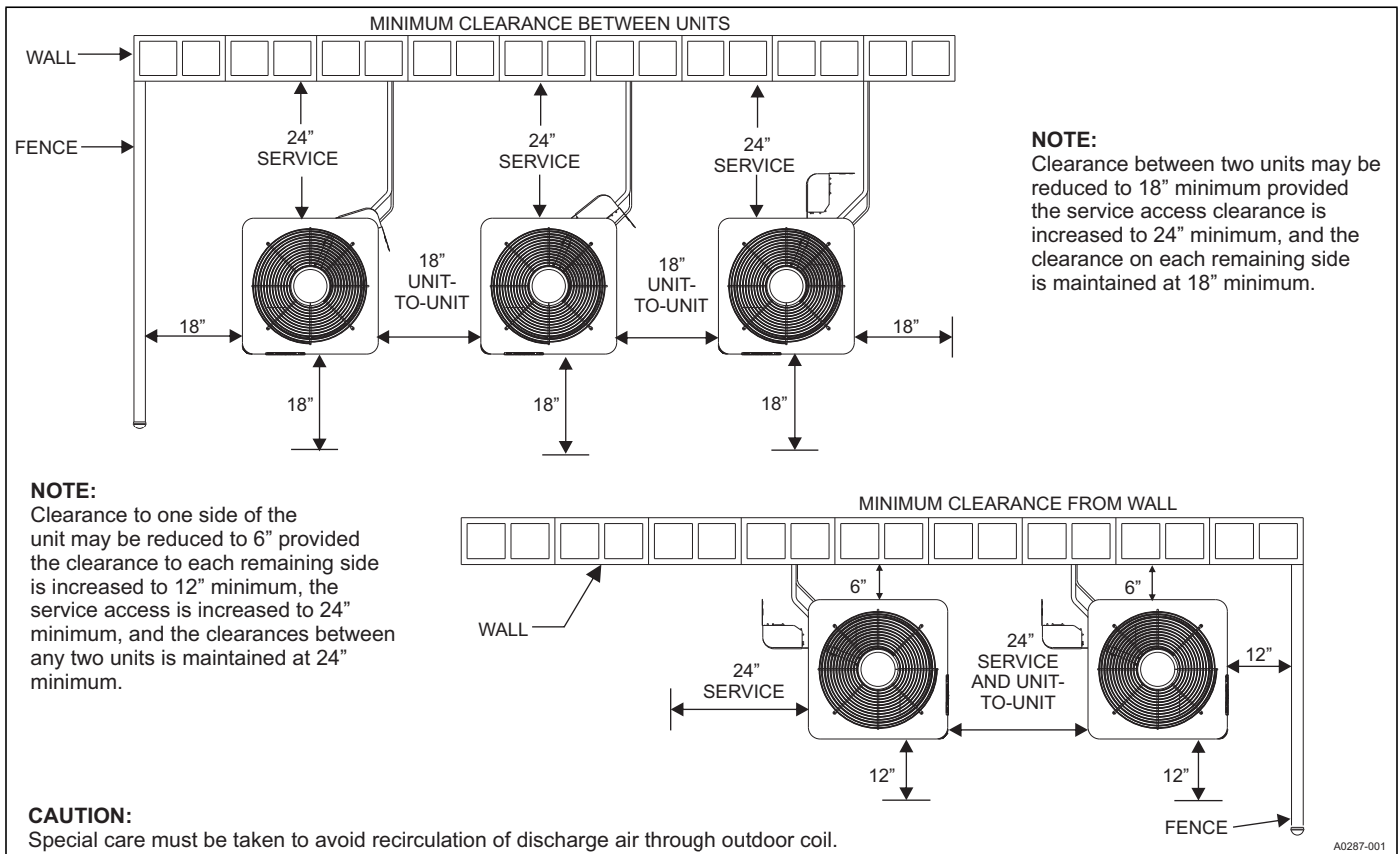


FIGURE 2: Alternative Installation Clearances

## ADD-ON REPLACEMENT/RETROFIT

When this unit is being used as a replacement for an existing R-410A unit, these are matched systems and the indoor coil and outdoor unit must be replaced. The following steps should be performed in order to insure proper system operation and performance. Line-set change out is also recommended.

1. Change-out of the indoor coil to an approved R-410A coil / air handling unit combination with the appropriate metering device.
2. Change-out of the line-set when replacing an R-22 unit with an R410-A unit is highly recommended to reduce cross-contamination of oils and refrigerants.
3. If change-out of the line set is not practical, then the following precautions should be taken.
  - Inspect the line set for kinks, sharp bends, or other restrictions, and for corrosion.
  - Determine if there are any low spots which might be serving as oil traps.
  - Flush the line set with a commercially available flush kit to remove as much of the existing oil and contaminants as possible.
  - Install a suction line filter drier to trap any remaining contaminants, and remove after 50 hours of operation.
4. If the outdoor unit is being replaced due to a compressor burnout, then installation of a 100% activated alumina suction-line filter drier in the suction-line is required, in addition to the factory installed bi-flow liquid-line drier. Operate the system for 10 hours. Monitor the suction drier pressure drop. If the pressure drop exceeds 3 psig, replace both the suction-line and liquid-line driers. After a total of 10 hours run time where the suction-line pressure drop has not exceeded 3 psig, replace the liquid line drier, and remove the suction-line drier. Never leave a suction-line drier in the system longer than 50 hours of run time.

## GROUND INSTALLATION

The unit may be installed at ground level on a solid base that will not shift or settle, causing strain on the refrigerant lines and possible leaks. The unit must be installed in as level a position as possible while maintaining the clearances shown in Figure 2.

Normal operating sound levels may be objectionable if the unit is placed directly under windows of certain rooms (bedrooms, study, etc.).

### ⚠ WARNING

*The outdoor unit should not be installed in an area where mud or ice could cause personal injury.*

Elevate the unit sufficiently to prevent any blockage of the air entrances by snow in areas where there will be snow accumulation. Check the local weather bureau for the expected snow accumulation in your area. Isolate the unit from rain gutters to avoid any possible wash out of the foundation.

## ROOF INSTALLATION

When installing units on a roof, the structure must be capable of supporting the total weight of the unit, including a pad, lintels, rails, etc., which should be used to minimize the transmission of sound or vibration into the conditioned space.

## WALL MOUNT INSTALLATION

Care must be taken to mount the outdoor unit on a solid base that is sloped to shed water, secure from settlement, and is isolated from the structural foundation or walls to prevent sound and vibration transmission into the living space.

On occasion, site conditions may require direct wall mounted brackets to be used to locate and support the outdoor unit. In these applications, care must be taken to address unit base pan support, structural integrity, safe access and serviceability, as well as the possible sound and vibration transmission into the structure. Wall mounting requires 3 mounting brackets and best served by a properly engineered solution.

See price pages for specific part number for your application.

## UNIT PLACEMENT

1. Provide a base in the pre-determined location.
2. Remove the shipping carton and inspect for possible damage.
3. Ensure that compressor tie-down bolts remain tightened.
4. Position the unit on the base provided.

## LIQUID LINE FILTER DRIER

The air conditioning unit's filter drier is located on the liquid line.

### ⚠ CAUTION

*Failure to use the same as the original factory drier or using a substitute drier or a granular type may result in damage to the equipment.*

### NOTICE

*Replacements for the liquid line drier must be exactly the same as marked on the original factory drier. See Source 1 for O.E.M. replacement driers.*

R-410A Filter Drier Source 1 Part No.	Apply with Models
S1-02922195000	All

## PIPING CONNECTIONS

The outdoor condensing unit must be connected to the indoor coil using field supplied refrigerant grade (ACR) copper tubing that is internally clean and dry. Units should be installed only with the tubing sizes for approved system combinations as specified in tabular data sheet. The charge given is applicable for total tubing lengths up to 15 feet (4.6 m). See Application Data Part Number 247077 for installing tubing of longer lengths and elevation differences.

### NOTICE

*Using a larger than specified line size could result in oil return problems. Using too small a line will result in loss of capacity and other problems caused by insufficient refrigerant.*

### ⚠ WARNING

*Never install a suction-line filter drier in the liquid line of an R-410A system. Failure to follow this warning can cause a fire, injury or death.*

### ⚠ CAUTION

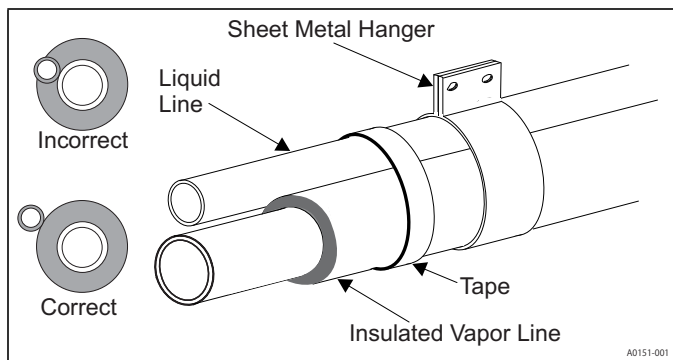
*This system uses R-410A refrigerant which operates at higher pressures than R-22. No other refrigerant may be used in this system. Gauge sets, hoses, refrigerant containers, and recovery system must be designed to handle R-410A. If you are unsure, consult the equipment manufacturer.*

## PRECAUTIONS DURING LINE INSTALLATION

Install the refrigerant lines with as few bends as possible. Care must be taken not to damage the couplings or kink the tubing. Use clean hard drawn copper tubing where no appreciable amount of bending around obstruction is necessary. If soft copper must be used, care must be taken to avoid sharp bends which may cause a restriction.

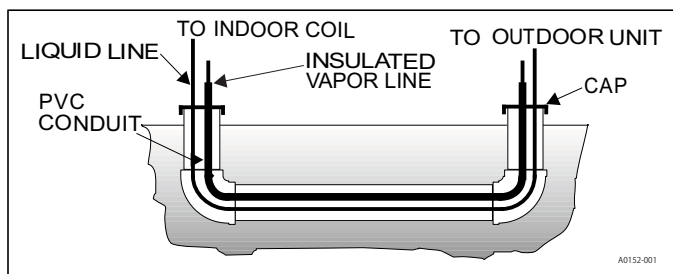
1. The lines should be installed so that they will not obstruct service access to the coil, air handling system, or filter.
2. Care must also be taken to isolate the refrigerant lines to minimize noise transmission from the equipment to the structure.
3. The vapor line must be insulated with a minimum of 3/8" foam rubber insulation (Armaflex or equivalent). Liquid lines that will be exposed to direct sunlight, high temperatures, or excessive humidity must also be insulated.

- Tape and suspend the refrigerant lines as shown. DO NOT allow tube metal-to-metal contact. See Figure 3.
- Use PVC piping as a conduit for all underground installations as shown in Figure 4. Buried lines should be kept as short as possible to minimize the build up of liquid refrigerant in the vapor line during long periods of shutdown.



**FIGURE 3:** Insulation of Vapor Line

- Pack fiberglass insulation and a sealing material such as permagum around refrigerant lines where they penetrate a wall to reduce vibration and to retain some flexibility.



**FIGURE 4:** Underground Installation

#### PRECAUTIONS DURING BRAZING OF LINES

All outdoor unit and indoor coil connections are copper-to-copper and should be brazed with a phosphorous-copper alloy material such as Silfos-5 or equivalent. DO NOT use soft solder. The outdoor units have reusable service valves on both the liquid and vapor connections. The total system refrigerant charge is retained within the outdoor unit during shipping and installation. The reusable service valves are provided to evacuate and charge per this instruction.

Serious service problems can be avoided by taking adequate precautions to assure an internally clean and dry system.

#### ⚠ CAUTION

*Dry nitrogen should always be supplied through the tubing while it is being brazed, because the temperature required is high enough to cause oxidation of the copper unless an inert atmosphere is provided. The flow of dry nitrogen should continue until the joint has cooled. Always use a pressure regulator and safety valve to insure that only low pressure dry nitrogen is introduced into the tubing. Only a small flow is necessary to displace air and prevent oxidation.*

#### PRECAUTIONS DURING BRAZING SERVICE VALVE

Precautions should be taken to prevent heat damage to service valve by wrapping a wet rag around it as shown in Figure 5. Also, protect all painted surfaces, insulation, and plastic base during brazing. After brazing, cool joint with wet rag.

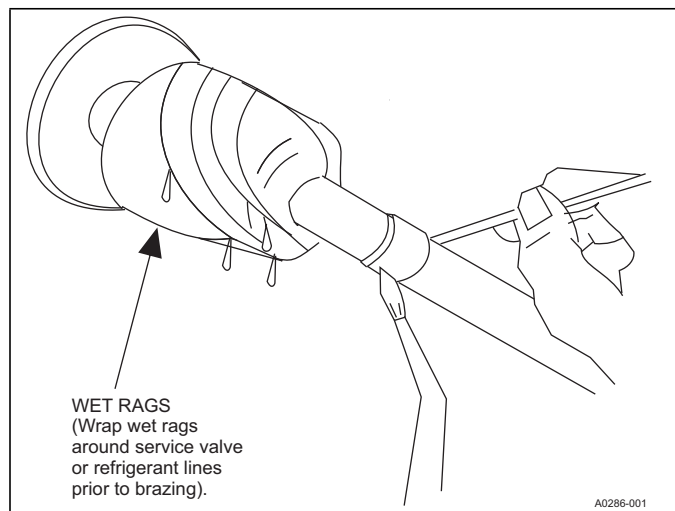
#### ⚠ WARNING

*This is not a backseating valve. The service access port has a valve core. Opening or closing valve does not close service access port. If the valve stem is backed out past the chamfered retaining wall, the O-ring can be damaged causing leakage or system pressure could force the valve stem out of the valve body possibly causing personal injury.*

Valve can be opened by removing the service valve cap and fully inserting a hex wrench into the stem and backing out counter-clockwise until valve stem just touches the chamfered retaining wall.

#### Connect the refrigerant lines using the following procedure:

- Remove the cap and Schrader core from both the liquid and vapor service valve service ports at the outdoor unit. Connect low pressure nitrogen to the liquid line service port.
- Braze the liquid line to the liquid valve at the outdoor unit. Be sure to wrap the valve body with a wet rag. Allow the nitrogen to continue flowing.
- Carefully remove the plugs from the indoor coil liquid and vapor connections at the indoor coil.



**FIGURE 5:** Heat Protection

#### ⚠ CAUTION

*Do not install any coil in a furnace which is to be operated during the heating season without attaching the refrigerant lines to the coil. The coil is under pressure which must be released to prevent excessive pressure build-up and possible coil damage.*

- Braze the liquid line to the indoor coil liquid connection. Nitrogen should be flowing through the indoor coil.
- Slide the grommet away from the vapor connection at the indoor coil. Braze the vapor line to the indoor coil vapor connection. After the connection has cooled, slide the grommet back into original position.
- Protect the vapor valve with a wet rag and braze the vapor line connection to the outdoor unit. The nitrogen flow should be exiting the system from the vapor service port connection. After this connection has cooled, remove the nitrogen source from the liquid fitting service port.
- Replace the Schrader core in the liquid and vapor valves.
- Go to SECTION IV for TXV installation.
- Leak test all refrigerant piping connections including the service port flare caps to be sure they are leak tight. DO NOT OVERTIGHTEN (between 40 and 60 inch - lbs. maximum).

## NOTICE

Line set and indoor coil can be pressurized to 250 psig with dry nitrogen and leak tested with a bubble type leak detector. Then release the nitrogen charge.  
Do not use the system refrigerant in the outdoor unit to purge or leak test.

- Evacuate the vapor line, indoor coil, and liquid line to 500 microns or less.
- Replace cap on service ports. Do not remove the flare caps from the service ports except when necessary for servicing the system.

## CAUTION

Do not connect manifold gauges unless trouble is suspected. Approximately 3/4 ounce of refrigerant will be lost each time a standard manifold gauge is connected.

- Release the refrigerant charge into the system. Open the liquid valve by removing the plunger cap and turning the valve stem out counter-clockwise until valve stem just touches the chamfered retaining wall. Repeat this procedure for the vapor line valve. If the service valve is a ball valve, use an adjustable end wrench to turn valve stem one-quarter turn counterclockwise to open. Do not overturn or the valve stem may break or become damaged. See "PRECAUTIONS DURING BRAZING SERVICE VALVE".
- Replace plunger cap finger tight, then tighten an additional 1/12 turn (1/2 hex flat). Cap must be replaced to prevent leaks.

## WARNING

Never attempt to repair any brazed connections while the system is under pressure. Personal injury could result.

See "System Charge" section for checking and recording system charge.

## SECTION IV: COIL METERING DEVICES

A TXV is to be installed in the field. There is an installation manual that comes with the TXV kit. It is recommended to install the TXV kit prior to installation of coil and brazing of line set. Until brazing is completed and cooled, the TXV sensing bulb must not be installed.

The outdoor technical guide for outdoor units should be consulted for required TXV on the indoor coil. Check that there is no Schrader valve core installed in equalizer line fitting on the indoor coil suction header. TXV will not function properly if a Schrader valve core is installed.

## CAUTION

### COIL UNDER PRESSURE.

Verify that pressure has been released by depressing Schrader valve core.

The coil requires a metering device to be added.

See outdoor unit documentation for correct TXV to be used.

## NOTICE

To prevent moisture and contaminants from entering the system, the coil should not be open to atmosphere for extended periods of time. If the coil cannot be brazed into the refrigeration system during a routine installation period, the ends should be temporarily closed or plugged. For a short term delay, use masking tape over the ends of the copper tubing to close the tube from the air. For a longer term delay, use plugs or caps. There is no need to purge the coil if this procedure is followed.

## THERMOSTATIC EXPANSION VALVE (TXV) INSTALLATION

## CAUTION

Outdoor unit model numbers ending with an "H" have a factory installed hard start kit which is required when a TXV is installed. Outdoor unit model numbers with no "H" ending do not require a hard start kit unless local regulations dictate it.

The following are basic steps for installation. For detailed instructions, refer to the Installation Instructions accompanying the TXV kit. Install TXV kit as follows:

**IMPORTANT:** Refer to the Technical Guide for the unit to determine the proper TXV kit to be used on this product.

- Relieve the holding charge by depressing Schrader core on the suction manifold stub out.
- After holding charge is completely discharged, loosen and remove the Schrader core.
- Place a backup wrench on distributor, loosen and remove brass distributor nut. Retain brass nut for use on liquid line. Keep Teflon washer in place and discard distributor seal disk.
- Install the thermal expansion valve to the distributor assembly with supplied fittings. Ensure Teflon washer is seated in distributor. Hand tighten and turn an additional 1/4 turn to seal. Do not over-tighten fittings. See Figure 6.

## CAUTION

Do not over-torque. Do not use slip joint pliers. This will distort the aluminum distributor and the brass fitting (potentially causing leaks).

- Slide the nut removed in step 3 over the supplied liquid line. Place supplied Teflon washer from TXV kit in place on TXV, and install liquid line to the top of the thermal expansion valve. Adjust assembly so liquid line aligns with hole in access panel. Hand tighten the liquid line, and apply an additional 1/4 turn to seal.

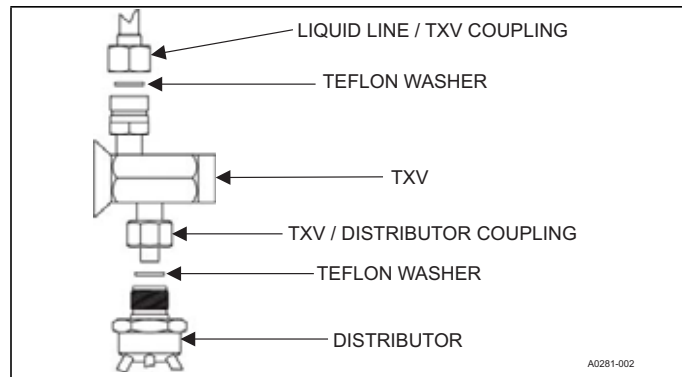


FIGURE 6: TXV Installation

## WARNING

Schrader valve core **MUST NOT** be installed with TXV installation. Poor system performance or system failure could result.

- Install the TXV equalizer line onto the vapor line by hand tightening the 1/4" SAE coupling nut to the equalizer fitting, and apply an additional 1/3 turn to seal. See Figure 7.

## CAUTION

In all cases, mount the TXV temperature sensing bulb after vapor line is brazed and sufficiently cooled.  
Failure to use suction line split grommet may result in TXV failure.

7. Pass the temperature sensing bulb tube for the TXV through the tube opening in the split grommet of the access panel.
8. Install the TXV bulb to the vapor line near the cabinet, using the bulb clamp(s) furnished with the TXV assembly. Ensure the bulb is making maximum contact. See Figures 7, 8 & 9, and accomplish the following:
  - a. If possible, install the temperature bulb on a horizontal run of the vapor line. Ensure that the bulb is installed at a 10 o'clock or 2 o'clock position. See Figure 10.
  - b. If bulb installation is made on a vertical run, ensure that the bulb is a minimum of 16 inches (20.3 cm) away from elbow coming out of the coil. Position the bulb with the tail of the bulb at the top, so that the bulb acts as a reservoir. See Figure 9.
  - c. Insulate the bulb using thermal insulation provided to protect it from the effect of the surrounding ambient temperature. Cover completely to insulate.

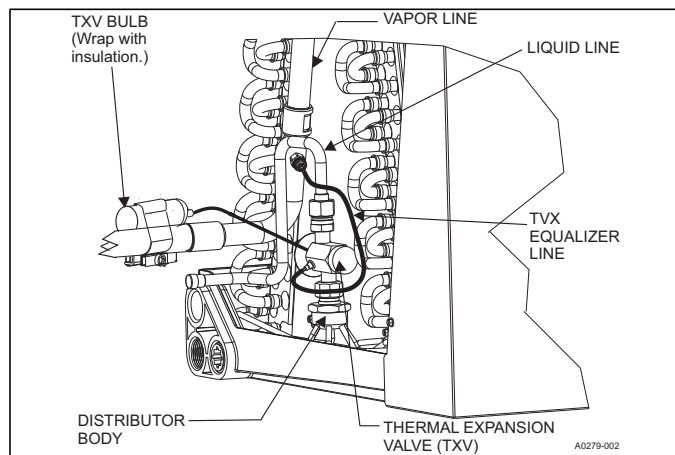


FIGURE 7: TXV Bulb and Equalizer Line Installations

9. After line set is installed, leak test the system.

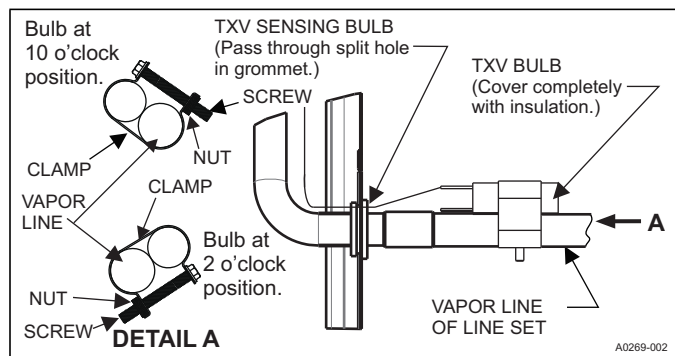


FIGURE 8: Proper TXV Bulb Location

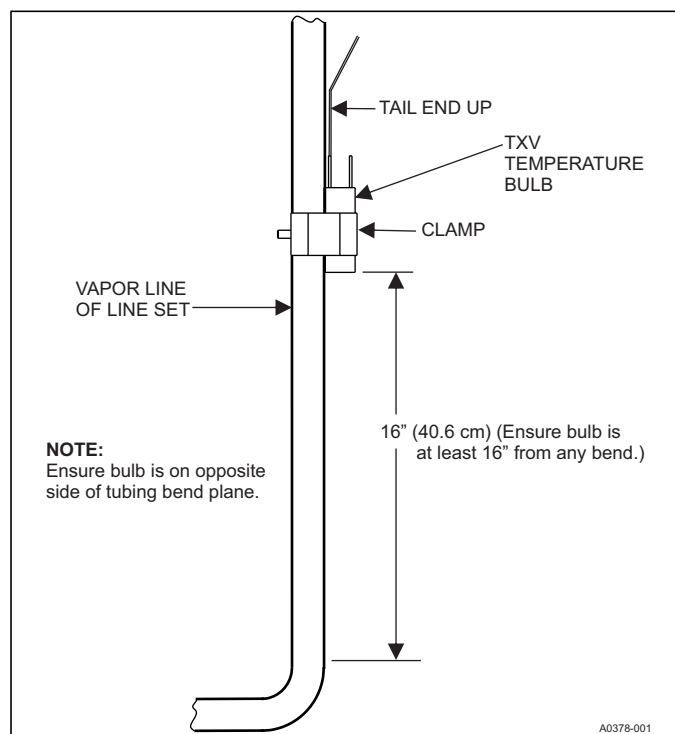


FIGURE 9: Vertical Temperature Bulb Orientation

## SECTION V: EVACUATION

Evacuate the system to 500 microns or less. If a leak is suspected, leak test with dry nitrogen to locate the leak. Repair the leak and test again.

To verify that the system has no leaks, simply close the valve to the vacuum pump suction to isolate the pump and hold the system under vacuum. Watch the micron gauge for a few minutes. If the micron gauge indicates a steady and continuous rise, it's an indication of a leak. If the gauge shows a rise, then levels off after a few minutes and remains fairly constant, it's an indication that the system is leak free but still contains moisture and may require further evacuation if the reading is above 500 microns.

## SECTION VI: SYSTEM CHARGE

To ensure that your unit performs at the published levels, it is important that the indoor airflow is determined and refrigerant charge added accordingly.

### MEASURE INDOOR AIR FLOW

To determine rated air flow for a specific match, consult the technical literature at [www.simplygettingthejobdone.com](http://www.simplygettingthejobdone.com). When attempting to match this air flow, select the lowest possible speed tap, measure the actual flow, and adjust as necessary.

**To measure actual air flow, it is not an acceptable method to just check the jumper pin setting tables and to assume 0.5" water column total external static pressure.**

To determine indoor air flow, first measure the static pressure with a manometer between the filter and inlet air opening on the unit. On a single-piece or modular air handler, take a second reading in the supply duct leaving the air handler unit. On a furnace take the second reading after the heat exchanger but before the indoor coil. Add the negative return static to the positive supply static to determine the system total static pressure. Treat the negative return static as a positive pressure (even though it is a negative reading). If there is static pressure on the blower (i.e. -.10) return, add it to a supply static (.40) which equals a (.50) total system static pressure. Compare this value to the table for the indoor unit's static pressure vs. CFM or to a curve chart.

## SYSTEM CHARGING

**NOTICE**

For cold weather charging of the system at temperatures of 55°F or below, refer to the "Optional Cold Weather Charging" procedures near the end of SECTION VI: SYSTEM CHARGE.

**CAUTION**

R-410A refrigerant cylinders are rose colored. Always charge the system slowly with liquid R-410 refrigerant.

The factory charge in the outdoor unit includes enough charge for the unit, a 15 ft. (4.6 m) line set, and the smallest indoor coil match-up. Some indoor coil matches may require additional charge. See tabular data sheet provided in unit literature packet for charge requirements.

**CAUTION**

Do not leave the system open to the atmosphere.

The "TOTAL SYSTEM CHARGE" must be permanently stamped on the unit data plate.

TOTAL SYSTEM CHARGE is determined as follows:

1. Determine the Base Charge shipped in the outdoor unit from the Tabular Data Sheet included with the outdoor unit.
2. Determine the charge adder for the matched indoor unit from the Tabular Data Sheet included with the outdoor unit.
3. If the lineset length is greater than 15 feet (4.6 m), calculate the charge adder for actual lineset length using the Tabular Data Sheet included with the outdoor unit.
4. Once the charge adders for matched indoor unit and for lineset have been weighed in, verify the system operation against the temperatures and pressures in the Charging Chart for the outdoor unit. Locate Charging Charts on the outdoor unit and also in the Service Application Data at [www.simplygettingthejobdone.com](http://www.simplygettingthejobdone.com). Follow the Subcool or the Superheat charging procedure in the section below according to the type of indoor metering device in the system, and allow ten minutes after each charge adjustment for the system operation to stabilize. Record the charge adjustment made to match the Charging Chart.
5. Verify that TOTAL SYSTEM CHARGE = Base Charge (as shipped) + charge adder for matched indoor unit + charge adder for actual lineset length + charge adjustments to match Charging Chart.
6. Permanently stamp the unit data plate with the TOTAL SYSTEM CHARGE as defined above.

This method is to be used whenever additional refrigerant is required for the system charge.

**WARNING**

DO NOT attempt to pump "Total System Charge" into outdoor unit for maintenance or service. This may cause damage to the compressor and/or other components. Recover and weigh "System Charge" into an appropriate recovery cylinder for any instances requiring evacuation.

**WARNING**

It is recommended to not attempt to pump more than the "Factory Charge" and an additional 15 foot line charge into a tube and fin outdoor unit for maintenance or service. This can cause damage to the compressor and/or other components.

**CAUTION**

Refrigerant charging should only be carried out by a qualified air conditioning contractor.

**CAUTION**

Compressor damage will occur if system is improperly charged. On new system installations, charge system per tabular data sheet for the matched coil and follow guidelines in this instruction.

If a calibrated charging cylinder or accurate weighing device is available, add refrigerant accordingly. Otherwise, model-specific charging charts are provided on the access panel of the unit.

## SUBCOOLING CHARGING METHOD - TXV INDOOR

The outdoor unit comes equipped with subcooling charts optimized for that particular unit. Please follow the instructions on the unit. If those instructions are not readily available, follow the instructions below.

1. Set the system running in cooling mode by setting the thermostat at least 6°F below the room temperature and operate system for at least 10 – 15 minutes.
2. Refer to the technical guide for the recommended indoor airflow and verify it is correct (it should be 350- 400 SCFM per ton).
3. Measure and record the indoor wet bulb (WB) and the outdoor ambient dry bulb (DB) temperature.
4. Using the charging chart located on the unit, find the intersection of the indoor wet bulb and the outdoor dry bulb. This is the recommended liquid pressure (and subcooling value).
5. Measure and record the pressure at the liquid valve pressure port and compare to the value obtained in step 4.
6. Add charge if the measured liquid pressure is lower than the recommended value. Remove / recover charge if the measured liquid pressure is above the recommended value.

Example: The liquid pressure listed at the intersection of the indoor WB and the outdoor DB 320 psig. Pressure at the liquid valve is 305 psig. It would be necessary to add refrigerant to increase the liquid pressure to 320 psig.

Condenser subcooling is obtained by calculating the difference of the saturated refrigerant temperature of the pressure measured at the liquid base valve and the liquid tube temperature as measured at the liquid base valve.

Subcooling Temp. (TC) = Saturated Temp. (TS) – Liquid Temp. (T).

**CAUTION**

IT IS UNLAWFUL TO KNOWINGLY VENT, RELEASE OR DISCHARGE REFRIGERANT INTO THE OPEN AIR DURING REPAIR, SERVICE, MAINTENANCE OR THE FINAL DISPOSAL OF THIS UNIT.



**TABLE 2: R-410A Saturation Properties**

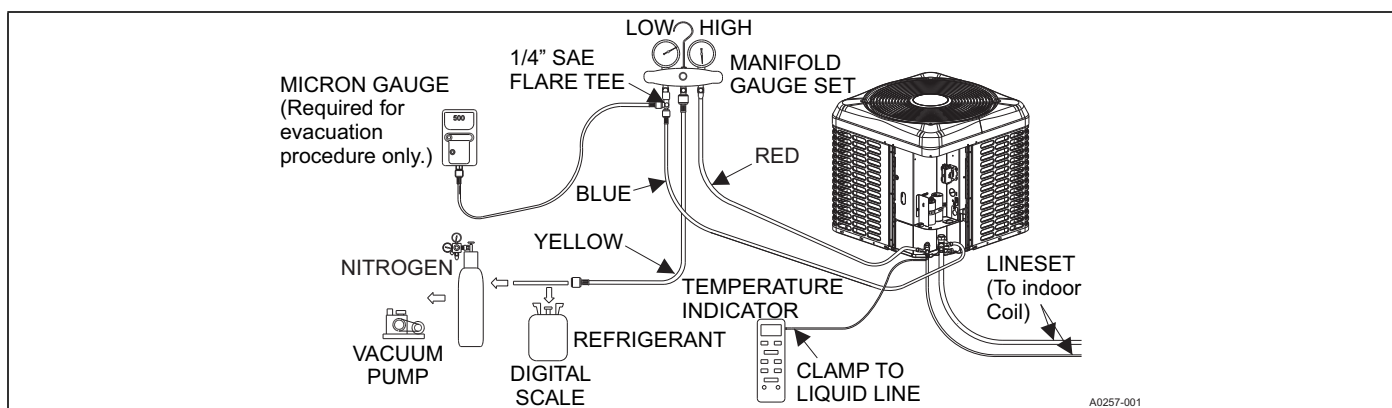
TEMP. °F	PRESSURE PSIG	TEMP. °F	PRESSURE PSIG	TEMP. °F	PRESSURE PSIG	TEMP. °F	PRESSURE PSIG	TEMP. °F	PRESSURE PSIG
45	130	60	170	75	217	90	274	105	341
46	132	61	173	76	221	91	278	106	345
47	135	62	176	77	224	92	282	107	350
48	137	63	179	78	228	93	287	108	355
49	140	64	182	79	232	94	291	109	360
50	142	65	185	80	235	95	295	110	365
51	145	66	188	81	239	96	299	111	370
52	147	67	191	82	243	97	304	112	375
53	150	68	194	83	247	98	308	113	380
54	153	69	197	84	250	99	313	114	385
55	156	70	201	85	254	100	317	115	391
56	158	71	204	86	258	101	322	116	396
57	161	72	207	87	262	102	326	117	401
58	164	73	211	88	266	103	331	118	407
59	167	74	214	89	270	104	336	119	412

OPTIONAL COLD WEATHER CHARGING

NOTICE

*For better airflow, the size of the charging tent must be at least 70"x70"x70" and must have some adjustable flaps or windows to control the temperature inside the charging tent. The charging tent must not have a floor or floor covering. Be sure to follow the "System Charge" procedures from Section VI of this Installation Manual.*

1. Assemble the charging tent.
  2. Slide charging tent over top of condenser unit.
  3. Position the door zipper over the lineset so charging tent sits evenly on ground.
  4. Make sure distance around the outdoor unit inside of charging tent is even for airflow.
  5. Stake down the edges of the charging tent cover to prevent the unit fan from blowing the charging tent away.
  6. Start outdoor unit.
  7. For better temperature measurement inside the charging tent, use a thermocouple to monitor temperature readings. Locate the thermocouple monitor approximately 8-10 inches away from the coil guard and 2/3 the way above the bottom of the coil on the opposite side from the control box.
  8. Based on outdoor ambient temperature, begin adjusting windows in order to achieve a stable temperature above 55°F inside tent. Note that the colder the outdoor ambient temperature is the fewer windows need removal.
  9. Use outdoor unit charging chart. Verify that the outdoor ambient temperature listed on the charging chart is the temperature inside the charging tent.
  10. Carefully adjust the charging tent windows until reaching the desired temperature, and allow the unit to stabilize for a minimum of 15 minutes. Check the thermocouple to make sure the temperature is still maintained at desired temperature. If the temperature is out of range, adjust the windows by opening or closing them.
  11. Once the condition inside the charging tent is **STABILIZED**, follow the "System Charge" procedure to adjust charge in the unit.
- Add or remove charge, and adjust windows to maintain the desired temperature inside the tent.



**FIGURE 10: System Charging Connections**

⚠ CAUTION

*Compressor damage will occur if system is improperly charged. On new system installations, charge system per tabular data sheet for the matched coil and follow guidelines in this instruction.*

⚠ CAUTION

*Do not leave the system open to the atmosphere. Unit damage could occur due to moisture being absorbed by the POE oil in the system. This type of oil is highly susceptible to moisture absorption.*

## TOTAL SYSTEM CHARGE DETERMINED

1. Determine outdoor unit factory charge from Tabular Data Sheet.
2. Determine indoor coil adjustment (if any) from Tabular Data Sheet.
3. Calculate the additional charge for refrigerant piping using the Tabular Data Sheet if line length is greater than 15 feet (4.6 m).
4. Total system charge = item 1 + item 2 + item 3.
5. Permanently mark the unit data plate with the total amount of refrigerant in the system.
6. Permanently mark the unit data plate with the total amount of refrigerant in the system.

### ⚠ WARNING

DO NOT attempt to pump "Total System Charge" into outdoor unit for maintenance or service. This may cause damage to the compressor and/or other components. Recover and weigh "System Charge" into an appropriate recovery cylinder for any instances requiring evacuation.

### ⚠ CAUTION

IT IS UNLAWFUL TO KNOWINGLY VENT, RELEASE OR DISCHARGE REFRIGERANT INTO THE OPEN AIR DURING REPAIR, SERVICE, MAINTENANCE OR THE FINAL DISPOSAL OF THIS UNIT.

## CHARGING WITH GAUGES

### ⚠ CAUTION

Refrigerant charging should only be carried out by a qualified air conditioning contractor.

All units include a charging chart document for AC cooling only. If a charging chart is not on the unit, then it can be obtained at [www.simplygettingthejobdone.com](http://www.simplygettingthejobdone.com) under the Service Application Data section.

### ⚠ CAUTION

Compressor damage will occur if system is improperly charged. On new system installations, charge system per tabular data sheet for the matched coil and follow guidelines in this instruction.

Unit may be charged in cooling mode using the information at [www.simplygettingthejobdone.com](http://www.simplygettingthejobdone.com) under the Service Application Data section.

**Before using gauges, confirm that the gauges are accurate by comparing the gauges against a calibrated pressure gauge that has been calibrated against a national standard. If a calibrated pressure gauge is not available, place a R-410A virgin refrigerant container in a conditioned space long enough to come to temperature equilibrium with the surroundings. Then measure the temperature of the air and the pressure of the refrigerant and compare it to the following table:**

Before measuring the pressures, use the method above to check the air flow and then consult the table and match the liquid pressure to that air flow.

## SECTION VII: ELECTRICAL CONNECTIONS

### GENERAL INFORMATION & GROUNDING

Check the electrical supply to be sure that it meets the values specified on the unit nameplate and wiring label.

Power wiring, control (low voltage) wiring, disconnect switches and over current protection must be supplied by the installer. Wire size should be sized per NEC requirements.

For servicing of the equipment the control box can slide down and swing open. Considerations for running the electrical supply and power control wiring should be made to utilize this swing open feature for future service work. You will not need to drop/swing the box open for installation of the electrical supply and power wiring, just account for the motion the box will have in the wire routing.

### NOTICE

Flexible electrical wiring must be installed in order to use the swing away function of the control box. Rigid type electrical connections require the wiring to be disconnected in order to swing the control box open.

### ⚠ CAUTION

All field wiring must **USE COPPER CONDUCTORS ONLY** and be in accordance with Local, National, Fire, Safety & Electrical Codes. This unit must be grounded with a separate ground wire in accordance with the above codes.

The complete connection diagram and schematic wiring label is located on the inside surface of the unit service access panel. An example of typical field connections can be found in Figures 12, 22 or 23.

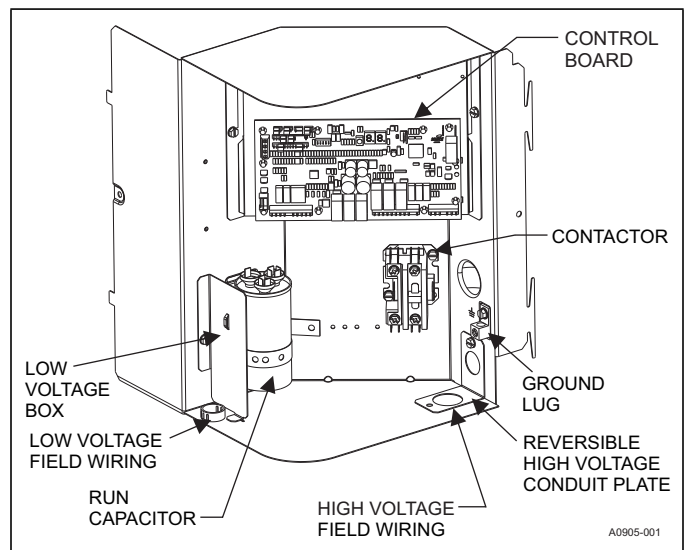


FIGURE 11: Outdoor Unit Control Box

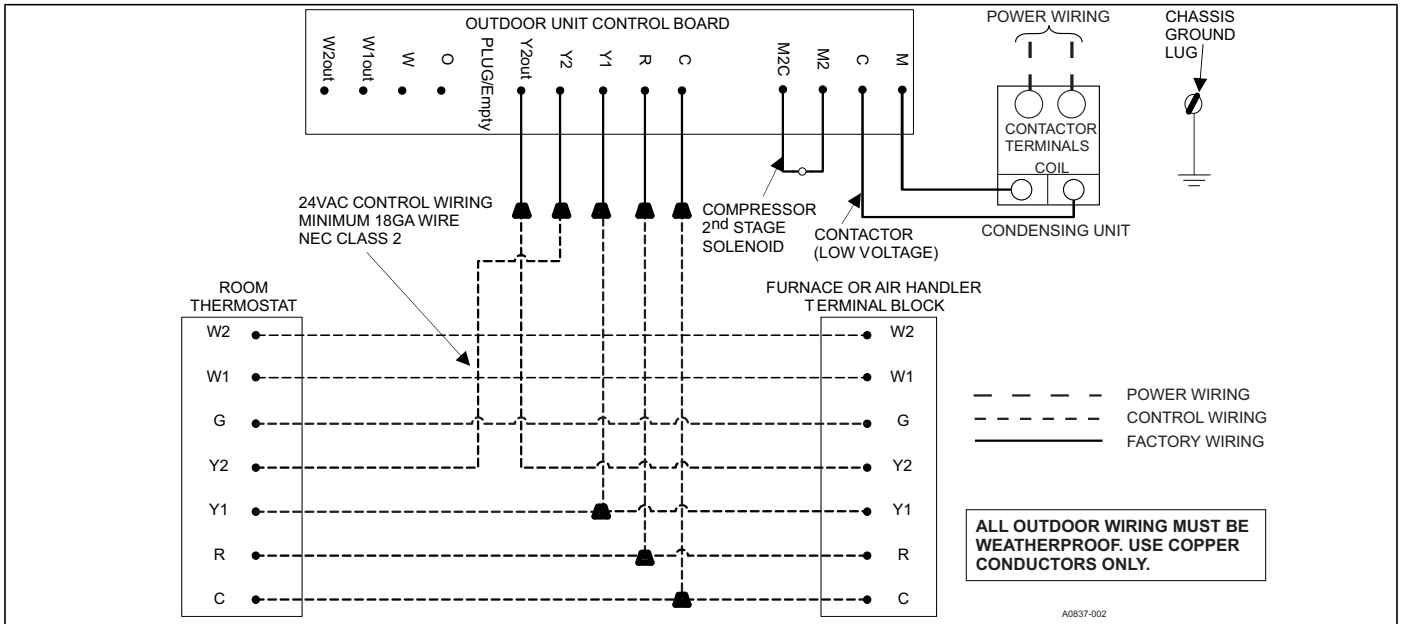


FIGURE 12: Typical 2-Stage Conventional Field Wiring - AC

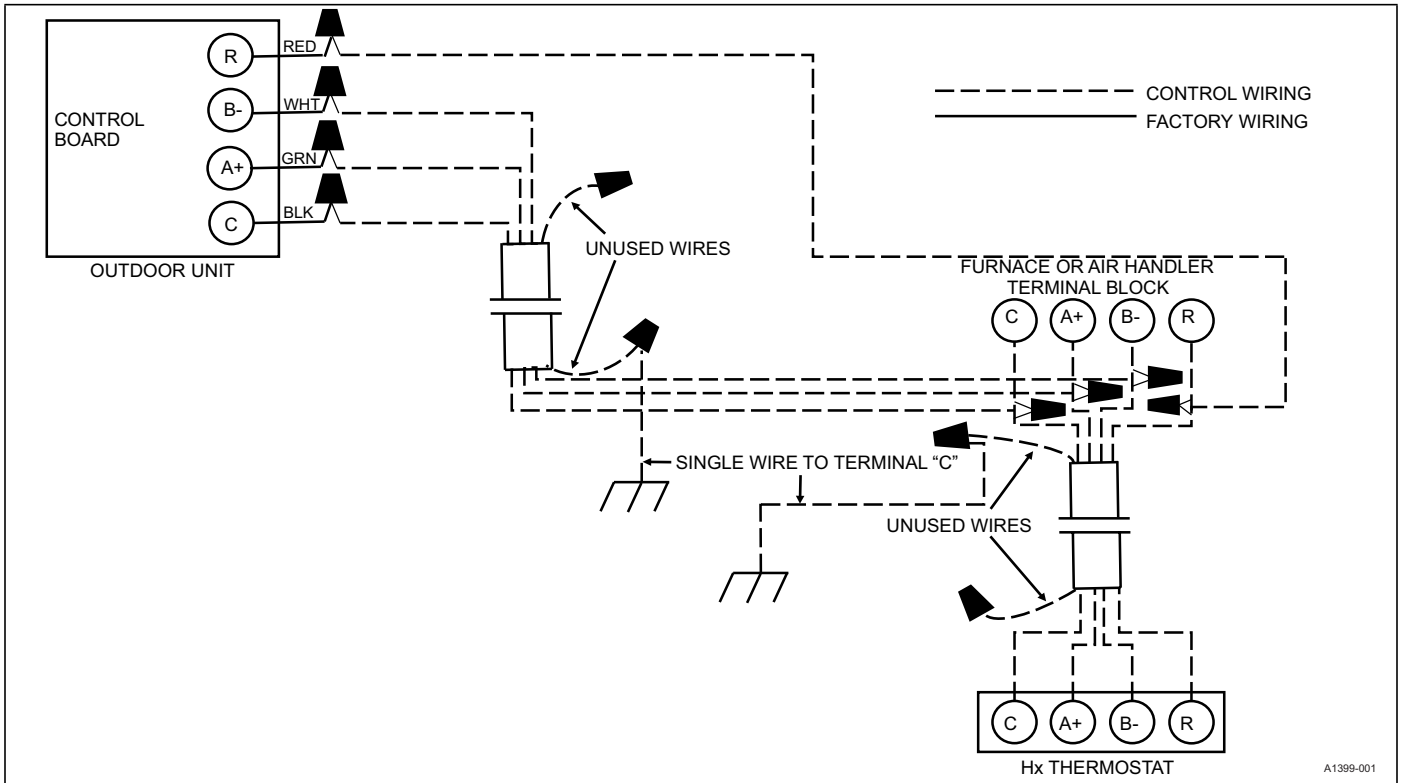


FIGURE 13: Typical Communicating Field Wiring (Air Handler / Furnace)

## FIELD CONNECTIONS POWER WIRING

1. Install the proper size weatherproof disconnect switch outdoors and within sight of the unit, per local code.
2. Remove the screws at the top and sides of the corner cover. Slide the control box cover down and remove from unit.
3. Run power wiring from the disconnect switch to the unit.
4. Route wires from disconnect through power wiring exit provided and into the unit control box as shown in Figure 1 and view the openings in Figure 11.
5. Make the power supply connections to the contactor.

## FIELD CONNECTIONS CONTROL WIRING FOR OUTDOOR EQUIPMENT

The 17 SEER 2-stage models are equipped for conventional control wiring only. The 19 SEER 2-stage models are equipped for either serial communications (COMM) or conventional control wiring. Determine first which outdoor equipment you are installing. If installing the 19 SEER 2-stage model, determine which method of control wiring will be utilized. Once this determination has been made, follow the necessary steps for control wiring.

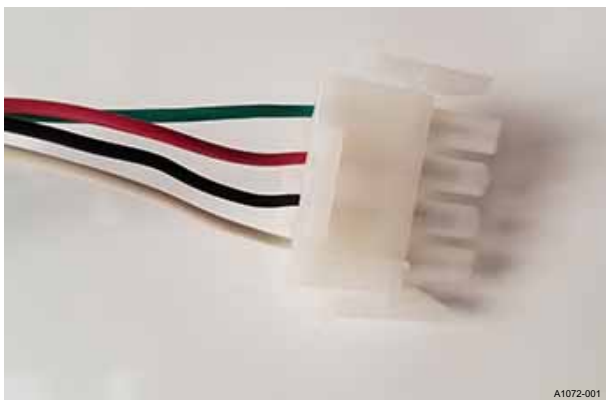
On 19 SEER models determine what method of low voltage control wiring will be utilized. Cut the Molex connector off of the low voltage wiring harness that will be used for unit control and connect field low voltage wiring using spring type wire connectors. Leave the unused wiring harness Molex connector in place.

- Conventional wiring (17 SEER 2-stage or 19 SEER 2-stage) consists of five wires leaving the control board connected to (R, C, Y1, Y2, Y2OUT) where four wires end up in a 12 pin Molex connector, and the fifth wire is tied back on the harness with heat shrink on the end.



**FIGURE 14:** Conventional Low Voltage Molex Plug

- Serial Communication (19 SEER 2-stage applications) consists of four wires leaving the control connected to (B-, C, R, A+) where four wires end up in a 4 pin Molex connector.



**FIGURE 15:** Communicating Low Voltage Molex Plug (19 SEER)

Terminals on the board from the following pin locations will have power applied:

- Communicating block (B-, C, R, A+); the R terminal/wire will have 24VAC.
- Conventional block (R, C, Y1, Y2, Y2OUT); the R & Y2OUT terminal/wires will have 24VAC.

If any of these connections have an unterminated wire at the end, it needs to be properly capped to prevent a possible short to ground.

### Conventional Wiring (17 SEER 2-Stage & 19 SEER 2-Stage)

1. Route the 24-volt control wiring (NEC Class 2) from the outdoor unit, to the indoor unit, and to the thermostat in the steps below.
2. If utilizing the Demand Response or the Y2Lock feature, a minimum of five thermostat wires will need to be ran to the outdoor unit from the indoor equipment. If the features are not applied, only four wires are needed.
3. Trace the harness out where it ends in a large 12 pin Molex connector, inside the low voltage box. Clip the 12 pin Molex connector and discard.
4. If utilizing the Demand Response or the Y2Lock feature, Y2out needs to be connected to the indoor control to cycle between high and low speed airflow. Pull the wire from under the label, strip the end of it, and connect it to the thermostat wire. If you are not applying the features above, do not strip the end. Figures 16-21 indicate proper wiring implementation.
5. Strip the remaining four wires that run to R, C, Y1, Y2 and make the necessary thermostat connections, noted in the thermostat wiring diagrams. Refer to Figures 18-23.
6. Replace the control box cover, removed in Step 2 of the FIELD CONNECTIONS POWER WIRING procedures.
7. All field wiring should be in accordance with national electrical codes (NEC) and/or local-city codes.
8. Mount the thermostat approximately 5 ft. above the floor, where it will be exposed to normal room air circulation. Do not place it on an outside wall or where it is exposed to the radiant effects from exposed glass, appliances, drafts from outside doors, or supply air vents.

### Serial Communication Wiring (19 SEER 2-Stage Only)

1. Route the 24-volt control wiring (NEC Class 2) from the outdoor unit, to the indoor unit, and to the thermostat in the steps below.
2. Trace the communicating harness from the (B-, R, C, A+) block where it ends in a 4 pin Molex connector, inside the low voltage box. Clip the 4 pin Molex connector and discard.
3. Strip the four wires and make the necessary thermostat connections noted in the thermostat wiring diagrams. Refer to Figures 13 & 15.
4. Replace the control box cover, removed in Step 2 of the FIELD CONNECTIONS POWER WIRING procedures.
5. All field wiring should be in accordance with national electrical codes (NEC) and/or local-city codes.
6. Mount the thermostat approximately 5 ft. above the floor, where it will be exposed to normal room air circulation. Do not place it on an outside wall or where it is exposed to the radiant effects from exposed glass, appliances, drafts from outside doors, or supply vents.

## NOTICE

Shielded communication cable is not required for the 24-volt control wiring but is strongly recommended in applications where interference from other wiring, electronics or machinery could create communication issues. Common examples of these applications include: Multi-family Housing, Medical Buildings, Offices, Data Centers and Industrial Buildings. The shielded communication cable drain wire should be connected to the chassis ground at the indoor unit. The drain wire should NOT be connected to any terminal at the wall thermostat and/or outdoor unit.

*If the installation contains excess conductors greater than 3-4 wires (communication equipment dependent), the excess wires should be grounded to reduce electrical noise. Use a wire nut to bundle the excess wires at each end. A single wire should then be connected to "chassis ground" (near the transformer or ground lug) as shown in Figure 13.*

### Demand Response (Load Shedding)

The main outdoor control has a conventional 24VAC input (DR) for utility demand response signals. When a 24VAC signal is present on the DR input with a **communicating system**, the Hx™ thermostat will adjust the indoor temperature setpoint by the installer selected setting. For further details on available settings, please refer to the Hx™ thermostat installation and operation manual. With a **non-communicating system**, a 24VAC signal on the DR terminal will not allow the system to run in second stage, cooling operation only. The DR input terminal location can be found in Figure 16.

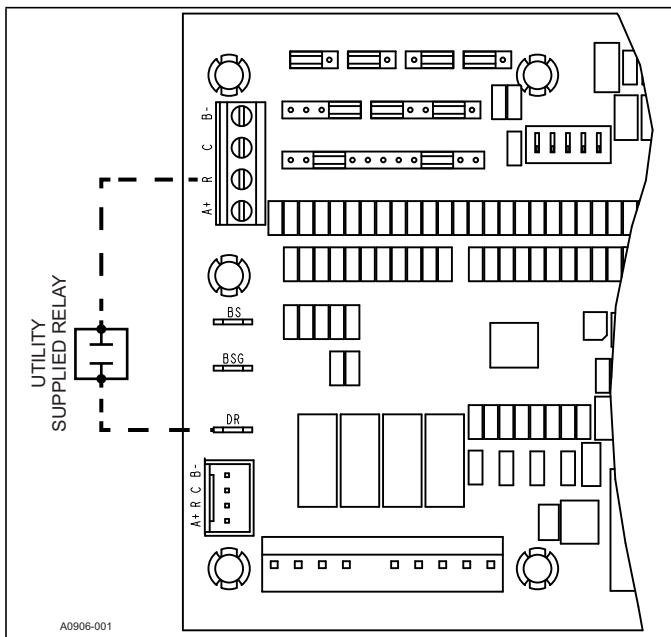


FIGURE 16: Demand Response Wiring

### DEHUMIDIFICATION CONTROL

A dehumidification control accessory 2HU06700124 may be used with variable speed air handlers or furnaces wired conventionally in high humidity areas. This control works with the variable speed indoor unit to provide cooling at a reduced air flow, lowering indoor coil temperature and increasing latent capacity. The humidistat in this control opens the humidistat contacts on humidity rise. To install, refer to instructions packaged with the accessory. Prior to the installation of the dehumidification control, the HUM STAT jumper on the indoor variable speed air handler or furnace control board must be set to YES.

During cooling, if the relative humidity in the space is higher than the desired set point of the dehumidification control, the variable speed blower motor will operate at a lower speed until the dehumidification control is satisfied. A 40-60% relative humidity level is recommended to achieve optimum comfort.

If a dehumidification control is installed, it is recommended that a minimum airflow of 325 cfm/ton be supplied at all times.

If wired using communication, refer to the Hx3 thermostat installation manual for dehumidification settings.

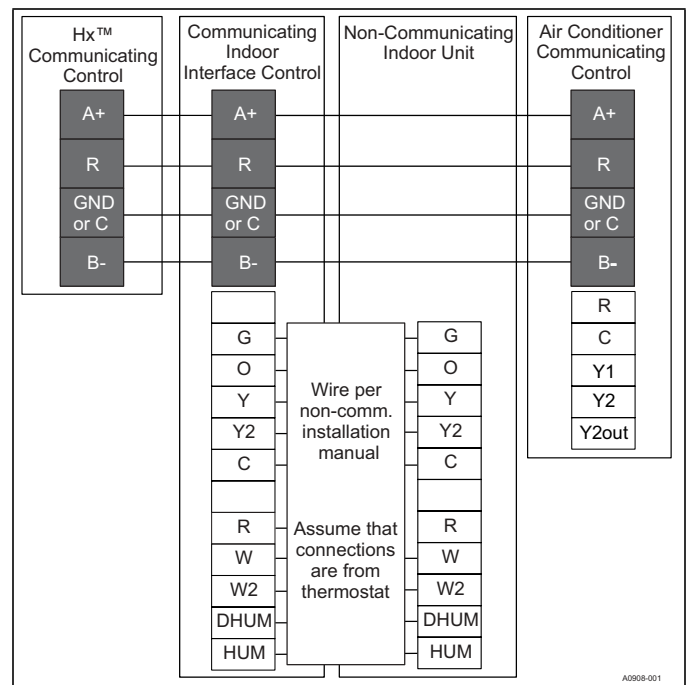


FIGURE 17: 19 SEER 2-Stage Only Using Communicating Interface Control

### INDOOR CFM CONFIGURATION

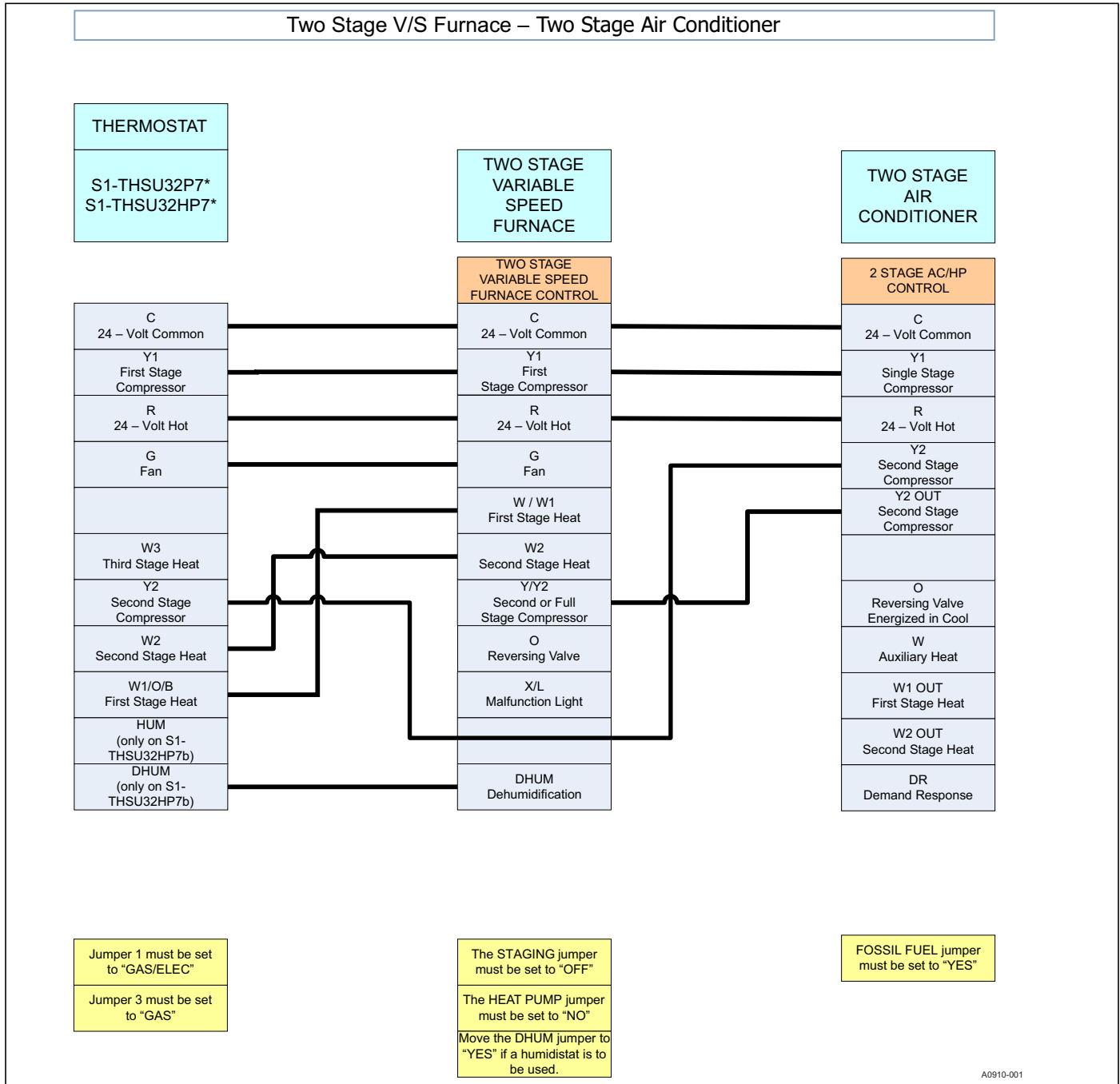
For proper system operation, the indoor CFM must be set properly.

The recommended airflow settings for each outdoor units size and associated match can be found in the Outdoor Unit Technical Guide.

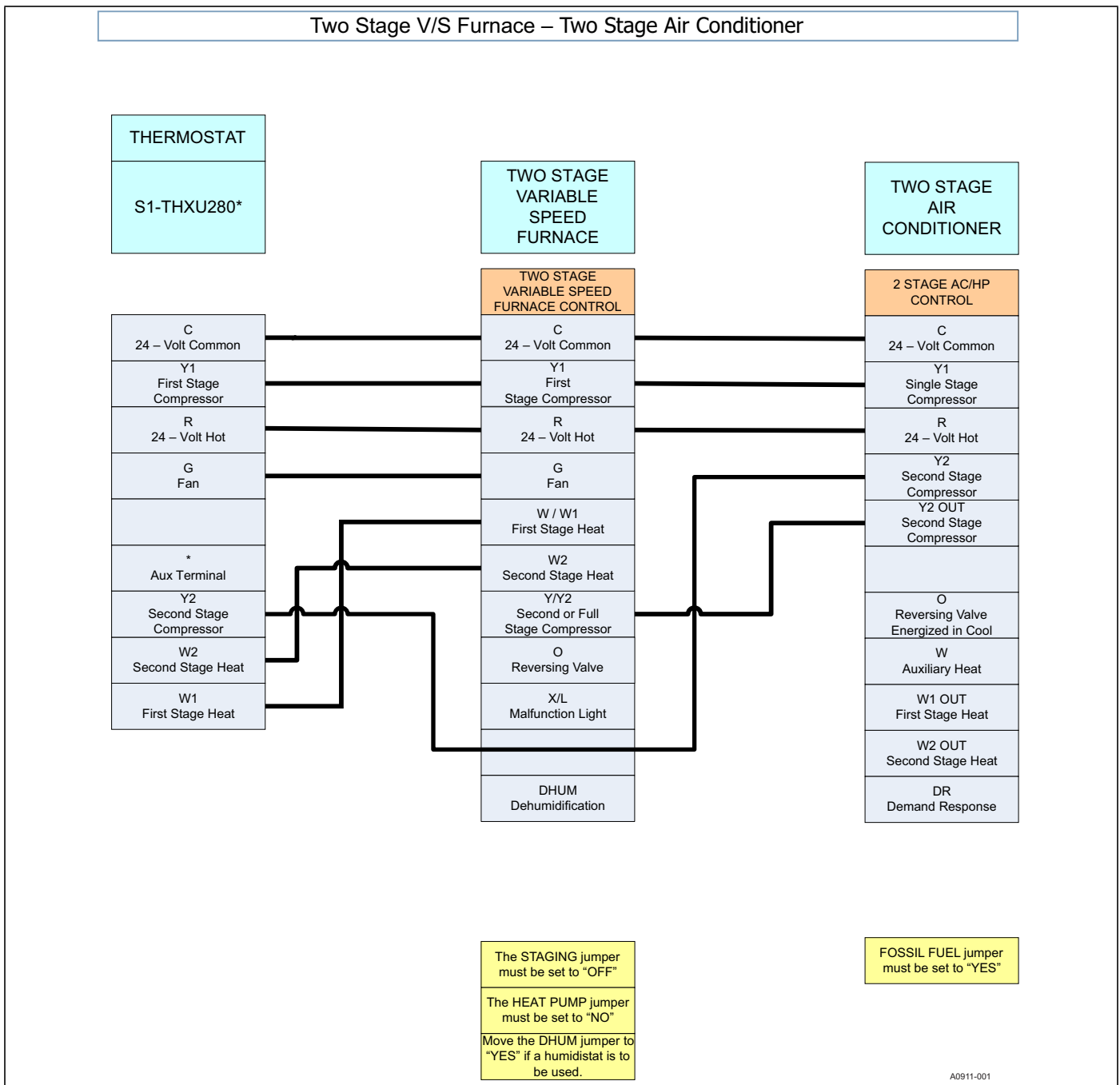
Manually setting the airflow on the Indoor Control is required with the Hx™ communicating thermostat.

Set the cooling speed per the instructions defined in the air handler or furnace. Verify the airflow, after the configuration has been set on the Indoor Control.

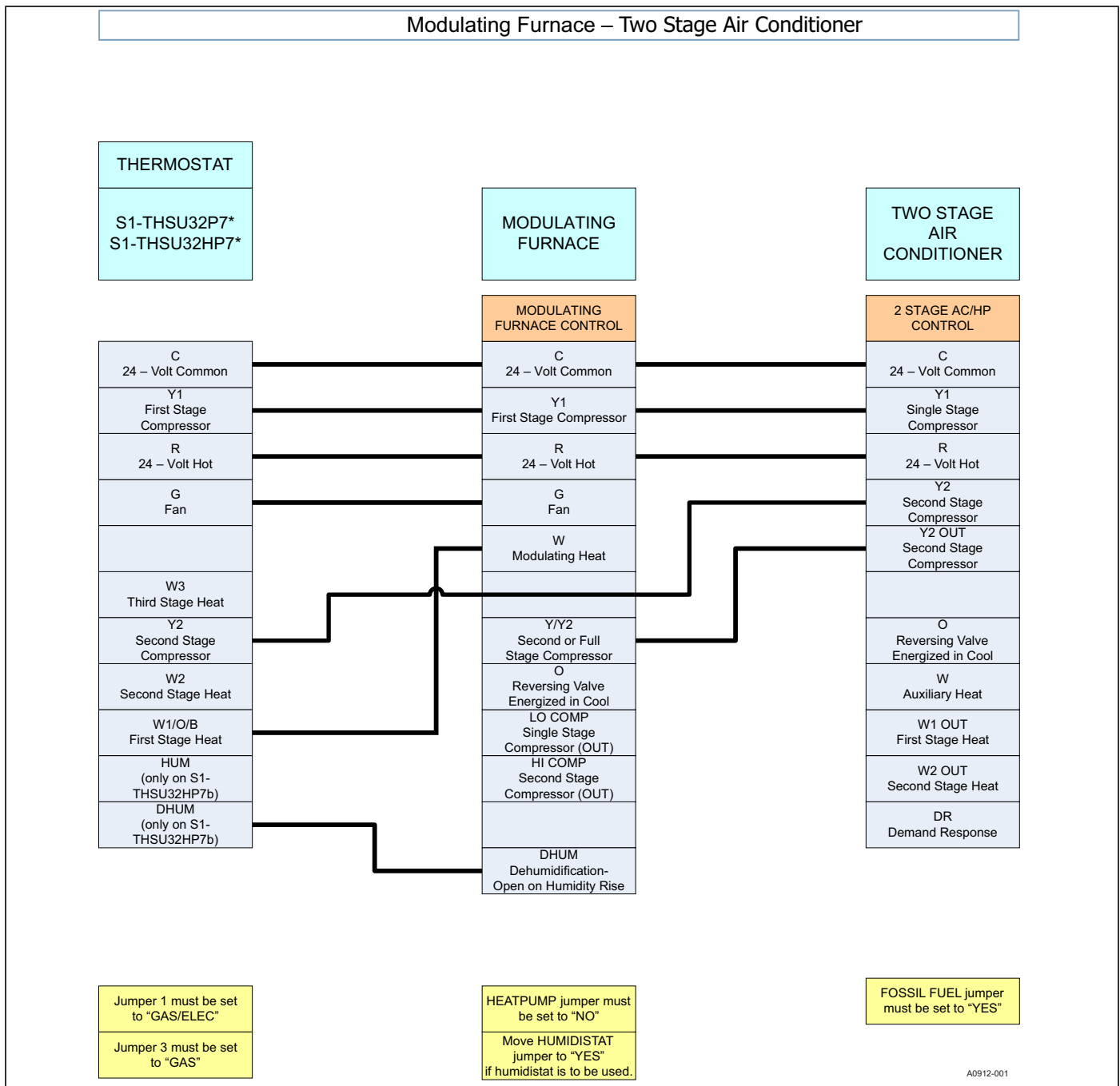
THERMOSTAT CHARTS



**FIGURE 18:** Thermostat Chart - Two Stage AC – Two Stage Furnace



**FIGURE 19:** Thermostat Chart - Two Stage AC – Two Stage Furnace



**FIGURE 20:** Thermostat Chart - Two Stage AC – Modulating Furnace



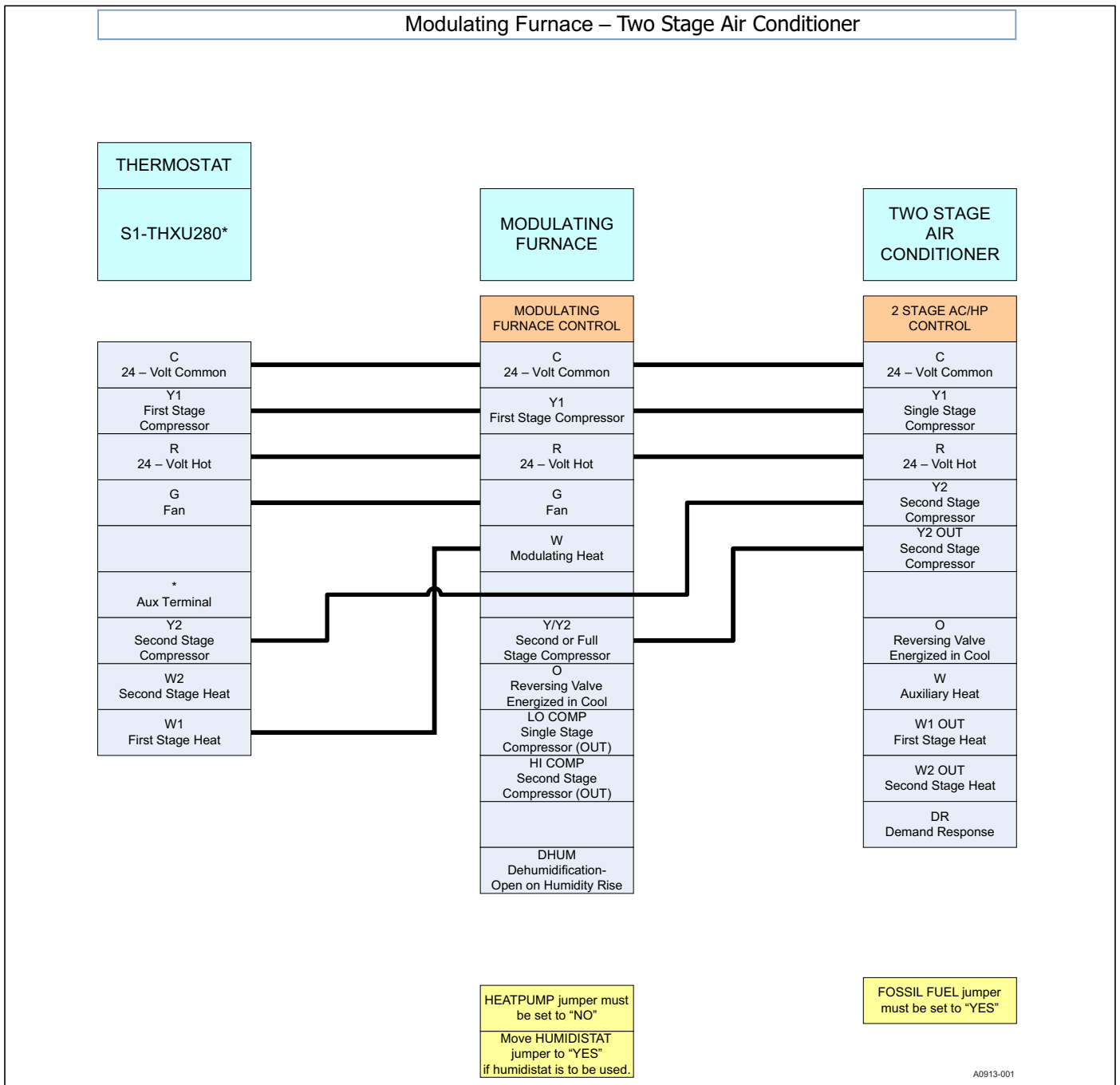
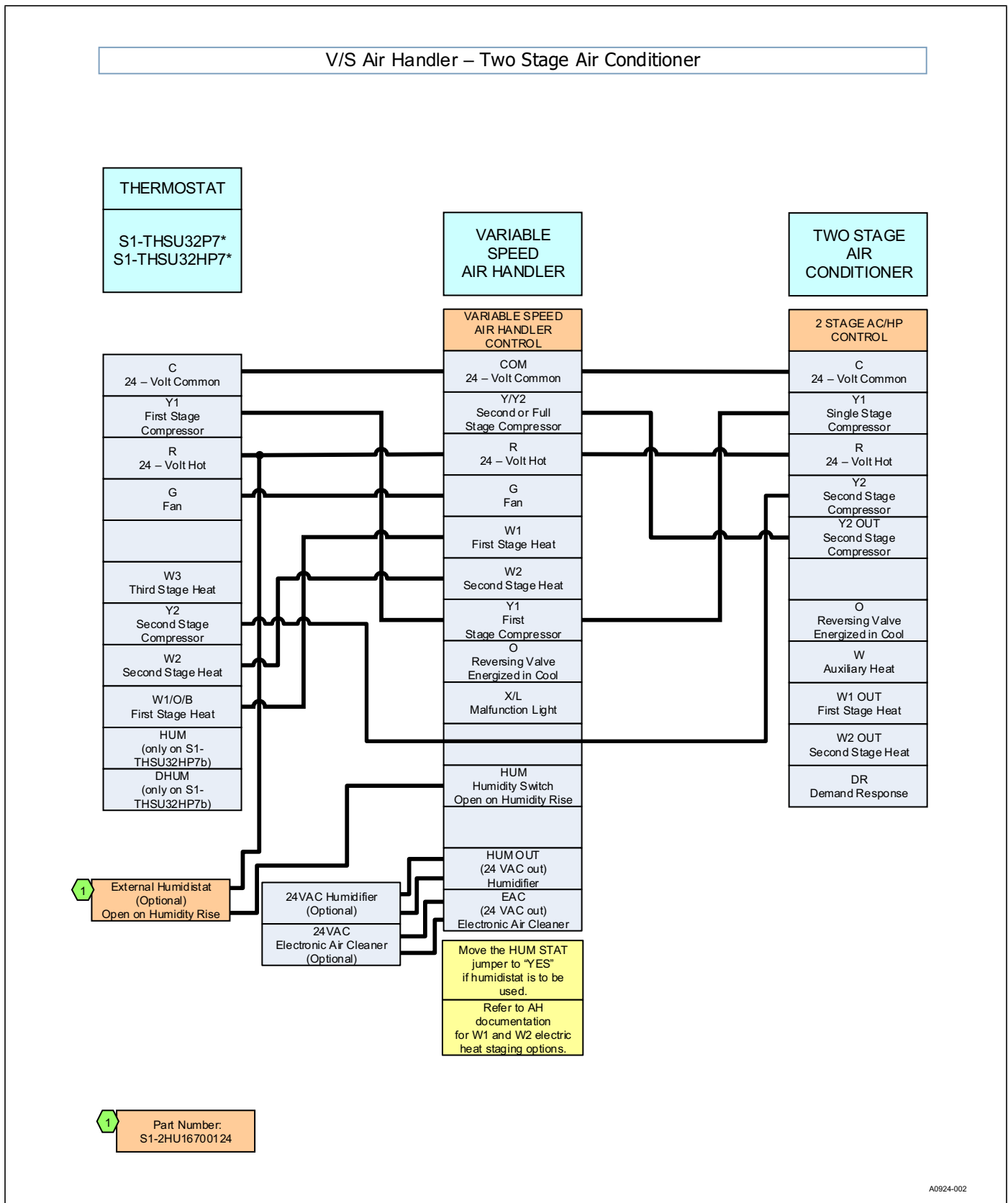


FIGURE 21: Thermostat Chart - Two Stage AC – Modulating Furnace



**FIGURE 22:** Thermostat Chart - Two Stage AC – Variable Speed Air Handler

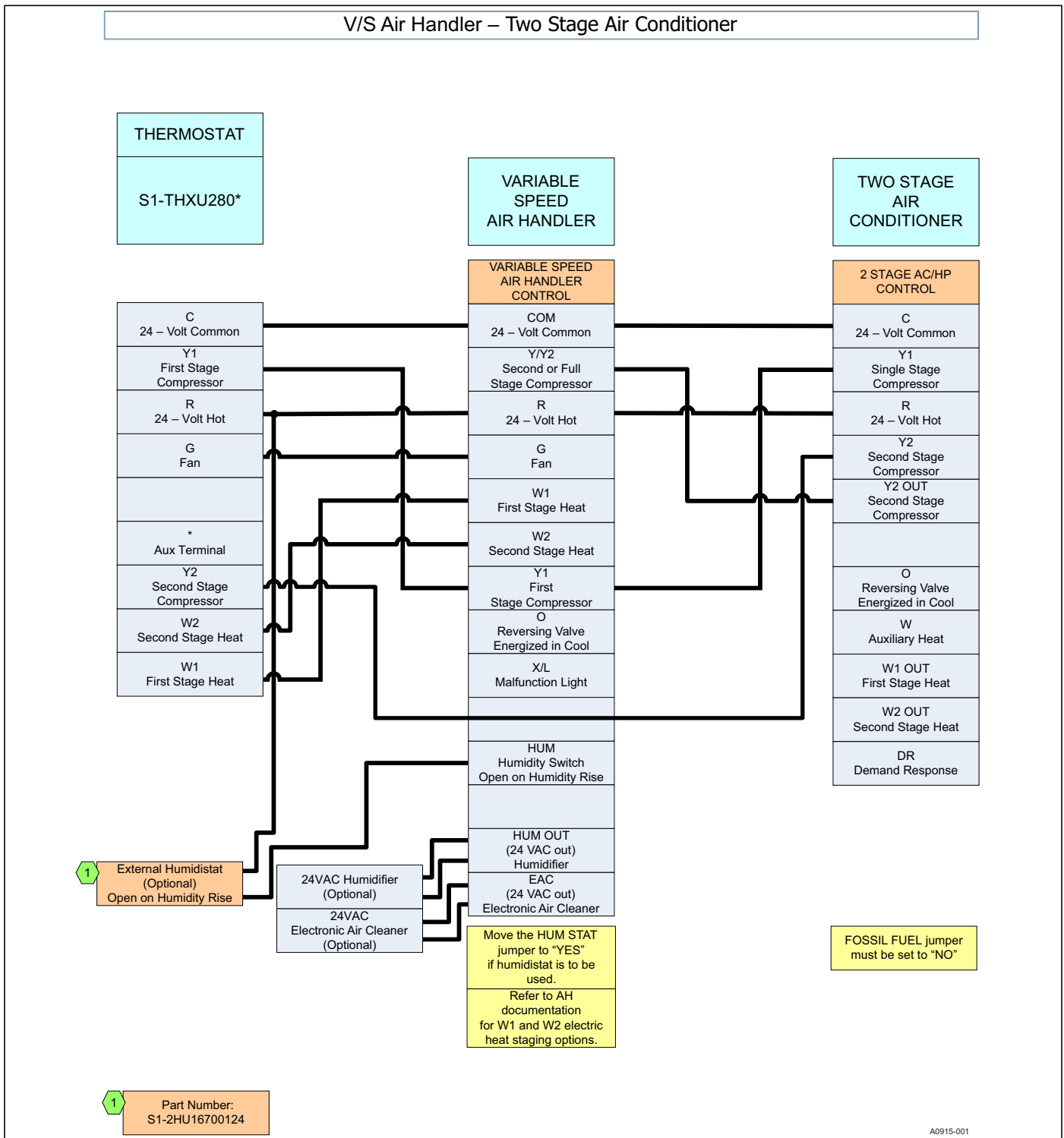


FIGURE 23: Thermostat Chart - Two Stage AC – Variable Speed Air Handler

## FAULT AND STATUS CODE BEHAVIOR

### Fault Code Storage

The control stores the ten most recent fault codes in memory, for review by the service technician. The codes are stored even when power is removed from the control and will remain in memory until manually cleared from the control. All codes are time stamped and stored in order of occurrence.

The control stores only one identical fault code during the same series of events. For example, if two or more low temperature cutout faults occur sequentially without another fault occurring in between the low temperature cutout faults, the control only stores the low temperature cutout fault once.

### Status Code Display

The control has a status LED and two 7-segment displays. The control will provide STATUS codes indicating the state of the system using the status LED and 7-segments, as detailed in Table 4.

A red LED indicates that a system fault is present. Fault details can be found in Table 6.

### Fault Code Display

Stored faults can be displayed by pressing the PUSH BUTTON for greater than two but less than six seconds, while no thermostat inputs to the control are energized. Turn the room thermostat to the SYSTEM OFF position.

If faults are present during an active call for compressor operation (thermostat input present to the control), the control will display all active faults in a loop sequence. Please see the below example:

**Example:** If a “High Discharge Temperature” (15) and “Discharge Temperature Sensor Failure - Short” (13) are active at the same time the control display will indicate the below pattern.

15 - two sec. off - 13 - two sec. off - 15 - two sec. off - 13 - two sec. off - 15... (loop continues)

In the above illustration, if the “Discharge Temperature Sensor Failure - Short” fault is no longer present, the display shall indicate the below pattern.

15 - two sec. off - 15 - two sec. off - 15... (loop continues)

Finally, if the “High Discharge Temperature” fault is no longer present, the control will return to normal operation.

### Clear Fault Codes

Pressing the PUSH BUTTON, with no active call, longer than six seconds will clear all none active faults. This operation will reset both control timers and counters.

### PWM Display

Pressing the PUSH BUTTON, with a compressor call, less than two seconds, will display the PWM being sent to the outdoor fan.

### Configuration Display

Pressing the PUSH BUTTON, with no active call, less than two seconds, will display the current mode.

Pressing the PUSH BUTTON, with no active call, longer than six seconds, will display the current mode and tonnage.

- AC / HP is determined by the presence of the reversing valve.

### ASCD (Anti-Short Cycle Delay)

After the tonnage is set, a call may be given Y and/or Y/Y2. The control has a 5 minute anti-short cycle delay. It will count the minutes down on the control as **d5, d4, d3, d2, & d1**. The timer may be bypassed by pressing the PUSH BUTTON between two to six seconds.

The control will then show an active call as:

- C1 = 1st stage cooling, C2 = 2nd stage cooling

### Set Tonnage (Clearing error code 30)

The control is designed to be programmed in the factory with model and tonnage. Repair part controls have not been programmed in the factory. If the Hx™ thermostat was connected to the system with the previous control configurations, it will program the replacement controls tonnage.

## NOTICE

*If a restore defaults is performed on the Hx™ thermostat or the installation is conventional wired, manual configuration of the model and tonnage is required.*

When power is applied to a non-configured control it will show **0t**. The tonnage has not been set. The control will then show **30**, tonnage configuration error code.

For conventional configuration set the dipswitches as follows:



When the dipswitches are set, hold the PUSH BUTTON, longer than six seconds without a call for compressor. The new tonnage will be displayed. If the proper tonnage is not displayed, correct the dipswitch setting and hold the PUSH BUTTON again. It is not necessary to cycle power.

If tonnage is set both by dipswitches and by the Hx™ thermostat, the last change will be saved.

AC/HP status is hardcoded into the control. Periodically, the control will run a check to verify the presence of a reversing valve. If the control senses a change in this status, it will produce an error code. Pressing the PUSH BUTTON for greater than six seconds, is required. AC/HP configuration will be written to the control and displayed on the 7-segment displays.

TABLE 3: Status Code

Description	Status LED	Color	7-Segment Display 1	7-Segment Display 2
No power to control	OFF	OFF	–	–
Control normal operation – No call for compressor (Standby Mode)	2s ON / 2s OFF (“Heartbeat”)	Green	–	–
Control normal operation – ASCD timer period (COOLING)	0.1 sec ON / 0.1 sec OFF	Green	d	5,4,3,2,1
Control normal operation – call for first-stage cooling compressor	ON	Green	C	1
Control normal operation – call for second-stage cooling compressor	ON	Green	C	2
Demand Response	ON	Green	d	r
No fault codes in memory	2 flashes	Green	–	–
Fault code memory cleared	3 flashes	Green	–	–

**TABLE 4:** Status Code Display & Timing

Duration of connection (seconds)	Control behavior with no thermostat signals present	Control behavior with thermostat signals present <sup>1</sup>
< 2	Display Operational Mode (AC or HP) (5 sec)	Display PWM sent to the ODF (5 sec)
2-6	Display Current/Stored Fault Code(s) if present <b>Note:</b> If a fault condition is active, the control will continue to display the active fault. It will not display stored faults until the active fault is cleared.	Bypass ASCD (Reduce timer to zero immediately). If Y1 is present and high-pressure switch is closed, contactors will be energized.
	Clear soft lockout	Clear soft lockout; <b>Except</b> Fault Codes 25, 26, and 30.
	Clear hard lockout	Clear hard lockout; <b>Except</b> Fault Codes 25, 26, and 30.
> 6	Set Tonnage Configuration (5 sec), ONLY if the Tonnage Configuration Error fault is currently active.	Will <b>not</b> initiate a defrost cycle in an A/C application.
	Set Operational Mode (AC or HP) (5 sec), ONLY if the AC/HP Mode fault is currently active.	
	<b>Note:</b> If either of the previous 2 actions were taken, the following will <b>not</b> occur on the same PUSH BUTTON press.	
	Clear Fault Code Array, if faults are present	
	Clear soft lockout	
Clear hard lockout	Clear soft lockout; <b>Except</b> Fault Codes 25, 26, and 30. Clear hard lockout; <b>Except</b> Fault Codes 25, 26, and 30.	
Pushbutton signal removed	Resume normal LED display	Resume normal LED display
Pushbutton signal not removed	Display will toggle between Operational Mode (AC/HP) (5 sec) and Tonnage Configuration (5 sec)	Resume normal LED display

1. If the PUSH BUTTON is pressed during two-stage anticipation mode, with an active thermostat call. The control will remove the forced second stage.

**TABLE 5:** Fault Code

Description	Required Condition	LED	7-Segment Display 1	7-Segment Display 2	Control Response
<b>Control Fault</b>					
Control Failure	Control Failure Detected	RED (solid)	0	0	Failure
<b>Operational Faults</b>					
High-pressure switch fault (not in lockout yet)	HPS Opening	RED (solid)	0	1	Fault, None Lockout
System in high-pressure switch lockout	HPS Openings 2 HPS faults within 6 hours	2 RED flashes	0	2	Soft Lockout
System in high-pressure switch lockout	HPS Openings 4 HPS soft lockouts within 12 hours or a combination of 4 soft lockouts	3 RED flashes	0	2	Hard Lockout
Low-pressure switch lockout	LPS open > 5 seconds 1 fault occurrence	2 RED flashes	0	4	Soft Lockout
Low-pressure switch lockout	LPS open > 5 seconds 4 LPS soft lockouts within 12 hours or a combination of 4 soft lockouts	3 RED flashes	0	4	Hard Lockout
Cooling LTCO Active	Call for cooling below 35°F	RED (solid)	0	5	Fault, None Lockout
Low Voltage (<19.2VAC) preventing further relay outputs for > 2 seconds	Further calls for relay outputs prevented based on low voltage	RED (solid)	0	6	Fault, None Lockout
Low Voltage (<16 VAC) stopped current relay outputs for > 2 seconds	Relay outputs stopped based on low voltage	RED (solid)	0	7	Fault, None Lockout
<b>Required Sensor or Switch Faults</b>					
Outdoor ambient sensor failure (short)	Control senses a shorted sensor	RED (solid)	0	9	Fault None Lockout; ODF will operate at units Max PWM.
Outdoor ambient sensor failure (open)	Control senses an open sensor	RED (solid)	1	0	Fault None Lockout; ODF will operate at units Max PWM.
Discharge line sensor failure (short)	Control senses a shorted sensor 1 fault occurrence	2 RED flashes	1	3	Soft Lockout

**TABLE 5:** Fault Code

Description	Required Condition	LED	7-Segment Display 1	7-Segment Display 2	Control Response
Continued on next page.					
Discharge line sensor failure (open)	Control senses an open sensor 1 fault occurrence	2 RED flashes	1	4	Soft Lockout
High discharge line temperature	Discharge Temperature > 263°F	RED (solid)	1	5	Fault, None Lockout
High discharge line temperature	Discharge Temperature > 263°F 3 HDT fault occurrences	2 RED flashes	1	5	Soft Lockout
High discharge line temperature	Discharge Temperature > 263°F 4 HDT soft lockouts within 12 hours or a combination of 4 soft lockouts	3 RED flashes	1	5	Hard Lockout
Low discharge line temperature	Discharge Temperature < 90°F	RED (solid)	1	6	Fault, None Lockout
Low discharge line temperature	Discharge Temperature < 90°F 3 LDT fault occurrences	2 RED flashes	1	6	Soft Lockout
Low discharge line temperature	Discharge Temperature < 90°F 4 LDT soft lockouts within 12 hours or a combination of 4 soft lockouts	3 RED flashes	1	6	Hard Lockout
<b>Wiring - Configuration Related Faults</b>					
O signal received in AC mode	O signal received in AC mode 1 fault occurrence	2 RED flashes	1	8	Soft Lockout
W signal received in AC mode	W signal received in AC mode 1 fault occurrence	2 RED flashes	1	9	Soft Lockout
W and O signal received in AC mode	W and O signal received in AC mode 1 fault occurrence	2 RED flashes	2	0	Soft Lockout
System previously configured as AC, now HP	No RV on configuration, RV present on subsequent startup 1 fault occurrence	2 RED flashes	2	5	Soft Lockout
System previously configured as HP, now AC	RV present on configuration, No RV on subsequent startup	RED (solid)	2	6	Fault, None Lockout
System previously configured as HP, now AC	RV present on configuration, No RV on subsequent startup 1 fault occurrence; Cooling Mode	2 RED flashes	2	6	Soft Lockout Cooling Mode ONLY
Y2 present without Y1	Y2 present without Y1 1 fault occurrence	2 RED flashes	2	7	Soft Lockout
<b>Configuration Error</b>					
Configuration Error	Jumpers Set to 00000 without a factory configuration, no tonnage selected, or incorrect tonnage set.	2 RED flashes	3	0	Soft Lockout

## SECTION VIII: INSTRUCTING THE OWNER

Assist the owner with registering the unit warranty using the warranty card included with the unit, or preferably online at [www.upgproductregistration.com](http://www.upgproductregistration.com). It is strongly recommended to complete a startup sheet showing the critical readings of the unit at the time of commissioning, which can be uploaded as part of the online registration process.

When applicable, instruct the owner that the compressor is equipped with a crankcase heater to prevent the migration of refrigerant to the compressor during the OFF cycle. The heater is energized when the ambient temperature is below 55°F for 30 seconds continually and the compressor has been off for 31 minutes. The heater will cycle ON for 10 minutes and OFF for 10 minutes, until the outdoor ambient is above 55°F for 30 seconds continually or an active demand for compressor operation occurs. If the unit power supply is disconnected for long periods of time, do not attempt to start the unit until power has been applied for a minimum of 2 hours. This will allow sufficient time for all liquid refrigerant to be driven out of the compressor.

The installer should also instruct the owner on proper operation and maintenance of all other system components.

### OUTDOOR FAN OPERATION

The outdoor fan motor is always energized 15 seconds prior to the compressor starting. This is regardless of heating or cooling operation. During defrost operation, the outdoor fan motor is de-energized.

The outdoor fan motor varies the outdoor fan RPM based on algorithms within the control board software. This means that the fan motor could change speed as required at any moment depending on conditions and compressor stage. Do not be alarmed as this is normal operation. If the conditions are on a break over point the motor could speed up and slow down until a more constant condition is met. Under typical operation the motor will speed up the warmer it is outside and slow down the cooler it is outside to maintain highest efficiency and operating pressures as needed. Charging of the equipment with the variable outdoor fan motor is already accounted for in the charging charts for the equipment. Should an outdoor fan motor failure ever occur requiring replacement, the outdoor fan motor must be replaced with the original OEM part number through Source 1. Refer to unit repair parts list to find the appropriate replacement part number.

## MAINTENANCE

1. Dirt should not be allowed to accumulate on the outdoor coil or other parts in the air circuit. Clean as often as necessary to keep the unit clean. Use a brush, vacuum cleaner attachment, or other suitable means.
2. The outdoor fan motor bearings are permanently lubricated and do not require periodic oiling.
3. If the coil needs to be cleaned, it should be washed with water or a PH neutral detergent. Allow solution to remain on coil for several minutes before rinsing with clean water. Solution should not be permitted to come in contact with painted surfaces.
4. Refer to the furnace or air handler instructions for filter and blower motor maintenance.
5. The indoor coil and drain pan should be inspected and cleaned regularly to prevent odors and assure proper drainage.

### CAUTION

*It is unlawful to knowingly vent, release or discharge refrigerant into the open air during repair, service, maintenance or the final disposal of this unit.*

**COOLING CHARGE TABLE IS ON THE UNIT CODE PLATE ATTACHED TO THE OUTSIDE OF THE CONTROL BOX COVER.**

SECTION IX: WIRING DIAGRAMS

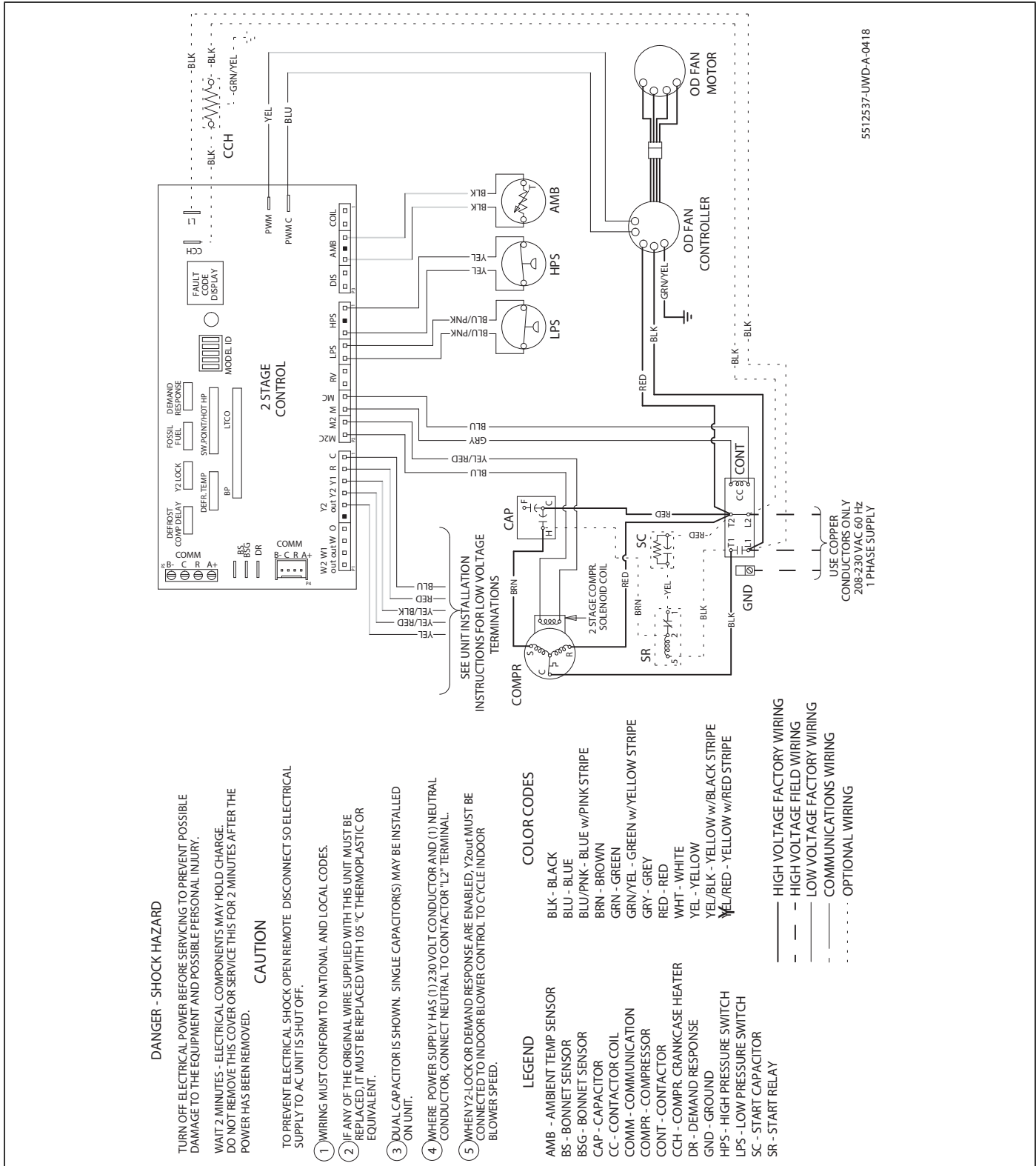


FIGURE 24: 17 SEER 2-Stage Equipment - Wiring Diagram



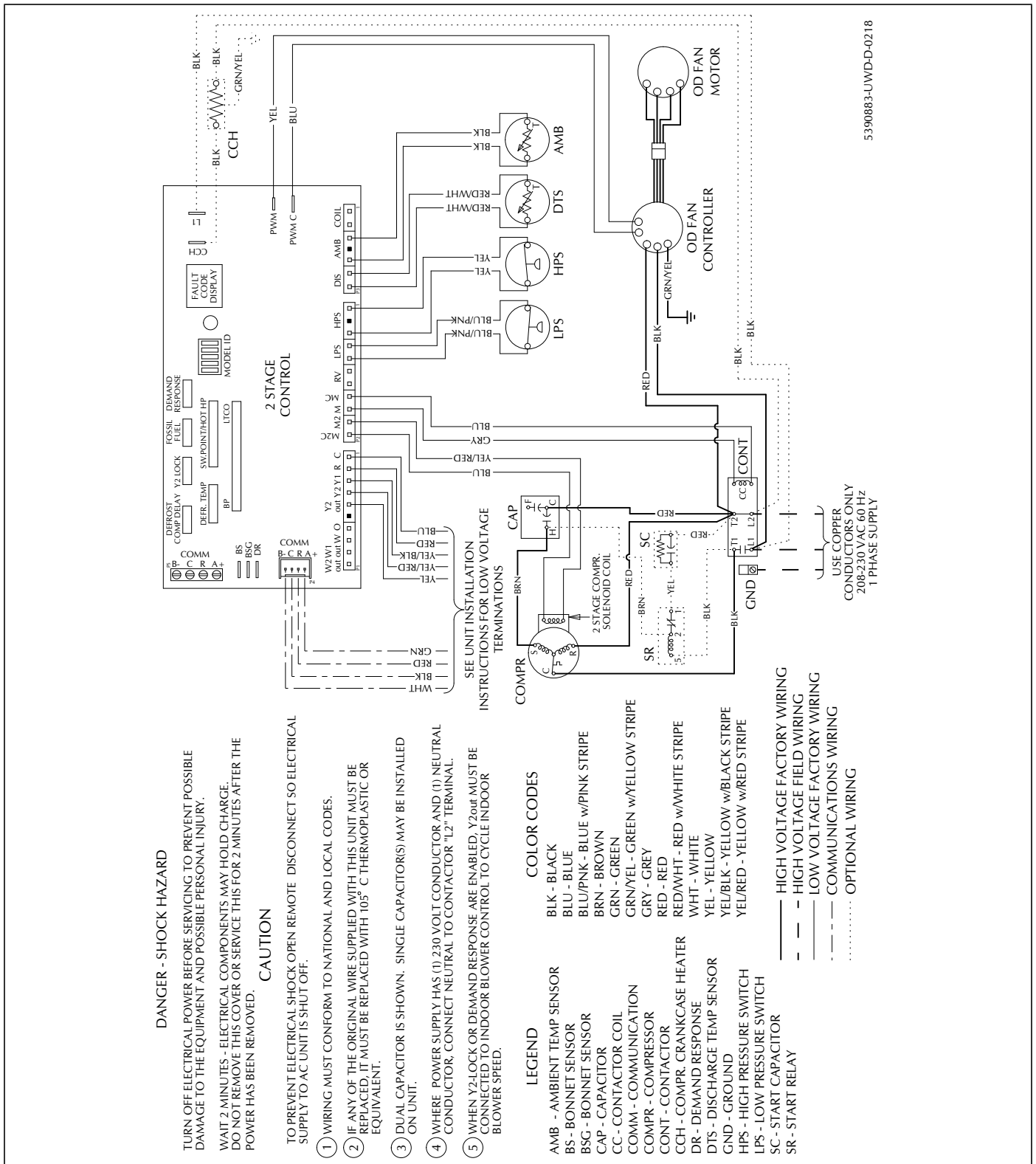


FIGURE 25: 19 SEER 2-Stage Equipment - Wiring Diagram

## NOTES

## SECTION X: START UP SHEET

## Residential Split 2-Stage Capacity System Unit Cooling With Electric Heat Start-Up Sheet

Proper start-up is critical to customer comfort and equipment longevity

Start-Up Date	<input type="text"/>	Company Name	<input type="text"/>	Start-Up Technician	<input type="text"/>
Dealer Training Certification Number	<input type="text"/>				

**Owner Information**

Name	<input type="text"/>	Address	<input type="text"/>	Daytime Phone	<input type="text"/>
City	<input type="text"/>	State or Province	<input type="text"/>	Zip or Postal Code	<input type="text"/>

**Equipment Data**

Outdoor Model #	<input type="text"/>	Unit Serial #	<input type="text"/>
Indoor Coil/Air Handler Model #	<input type="text"/>	Unit Serial #	<input type="text"/>
Furnace Model #	<input type="text"/>	Unit Serial #	<input type="text"/>
Thermostat #	<input type="text"/>	Unit Serial #	<input type="text"/>

**General Information** (Check all that apply)

<input type="radio"/> New Construction	<input type="radio"/> Roof level	<input type="radio"/> Down flow	<input type="radio"/> Horizontal
<input type="radio"/> Retrofit	<input type="radio"/> Grade level	<input type="radio"/> Upflow	

**Unit Location and Connections** (Check all that apply)

<input type="checkbox"/> Unit is level and installed on:	<input type="checkbox"/> Slab	<input type="checkbox"/> Roof curb	<input type="checkbox"/> Duct connections are complete:	<input type="checkbox"/> Supply	<input type="checkbox"/> Return
<input type="checkbox"/> Condensate drain properly connected per the installation instructions	<input type="checkbox"/> Condensate trap has been primed with water				

**Filters**

<input type="checkbox"/> Filters installed	Number of filters	<input type="text"/>	Filter size	<input type="text"/>
--	-------------------	----------------------	-------------	----------------------

**Electrical Connections & Inspection** (Check all that apply)

<input type="radio"/> 208 volts AC	<input type="radio"/> 230 volt AC						
<input type="checkbox"/> Inspect wires and electrical connections	<input type="checkbox"/> Transformer wired properly for primary supply voltage	<input type="checkbox"/> Ground connected					
<input type="checkbox"/> Low voltage present at control board "R & C"	Measured voltage "R" and "C" outdoor unit control board	<input type="text"/>					
<input type="checkbox"/> Line voltage present at disconnect	Measured voltage "L1 to L2"	<input type="text"/>					
Compressor amperes "L1"	<input type="text"/>	"L2"	<input type="text"/>	Total amperes "L1"	<input type="text"/>	"L2"	<input type="text"/>

**Air Flow Setup / Cooling**

<b>Blower Type &amp; Set-Up</b>	<input type="radio"/> ECM	COOL	<input type="radio"/> A	<input type="radio"/> B	<input type="radio"/> C	<input type="radio"/> D
		ADJUST	<input type="radio"/> A	<input type="radio"/> B	<input type="radio"/> C	<input type="radio"/> D
		DELAY	<input type="radio"/> A	<input type="radio"/> B	<input type="radio"/> C	<input type="radio"/> D
Supply static (inches of water column)	<input type="text"/>	Supply air dry bulb temperature	<input type="text"/>	Supply air wet bulb temperature	<input type="text"/>	
Return static (inches of water column)	<input type="text"/>	Return air dry bulb temperature	<input type="text"/>	Return air wet bulb temperature	<input type="text"/>	
Total external static pressure	<input type="text"/>	Temperature drop	<input type="text"/>	Outside air dry bulb temperature	<input type="text"/>	

## Refrigerant Charge and Metering Device

<input type="radio"/> R-410A	Suction line temperature <input type="text"/>	Discharge pressure <input type="text"/>
Data plate - lbs / Oz <input type="text"/>	Suction pressure <input type="text"/>	Liquid line temperature <input type="text"/>
Discharge line temperature <input type="text"/>	Superheat <input type="text"/>	Subcooling <input type="text"/>

## Electric Heat

Electric heat kit - Model number <input type="text"/>		Serial number <input type="text"/>		Rated KW <input type="text"/>
Single Phase or Three Phase	Measured Amperage	Heater 1 <input type="text"/>	Heater 2 <input type="text"/>	Heater 3 <input type="text"/>
		Heater 4 <input type="text"/>	Heater 5 <input type="text"/>	Heater 6 <input type="text"/>
Number of elements <input type="text"/>	Measured Voltage	Heater 1 <input type="text"/>	Heater 2 <input type="text"/>	Heater 3 <input type="text"/>
		Heater 4 <input type="text"/>	Heater 5 <input type="text"/>	Heater 6 <input type="text"/>
Heating return air dry bulb temperature <input type="text"/>	Heating supply air dry bulb temperature <input type="text"/>	Air temperature rise <input type="text"/>		

## Clean Up Job Site

<input type="checkbox"/> Job site has been cleaned, indoor and outdoor debris removed from job site
<input type="checkbox"/> Tools have been removed from unit
<input type="checkbox"/> All panels have been installed

## Unit Operation and Cycle Test

<input type="checkbox"/> Operate the unit through continuous fan cycles from the thermostat, noting and correcting any problems
<input type="checkbox"/> Operate the unit through cooling cycles from the thermostat, noting and correcting any problems

## Owner Education

<input type="checkbox"/> Provide owner with the owner's manual
<input type="checkbox"/> Explain operation of system to equipment owner
<input type="checkbox"/> Explain thermostat use and programming (if applicable) to owner
<input type="checkbox"/> Explain the importance of regular filter replacement and equipment maintenance
<input type="checkbox"/> Explain the importance of registering the unit for warranty.

## Setup

WiFi enabled: Yes <input type="checkbox"/> No <input type="checkbox"/>
Demand response enabled: Yes <input type="checkbox"/> No <input type="checkbox"/>
Fan Profile: Normal <input type="checkbox"/> Arid <input type="checkbox"/> Humid <input type="checkbox"/>

## Comments and Additional Job Details

--