



# Accommodator

### ACCOMMODATOR TALL BASE

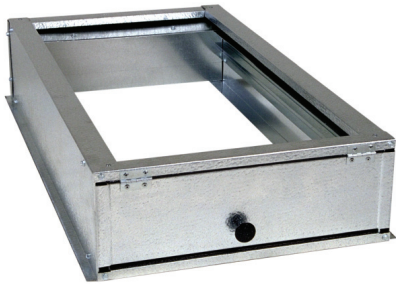
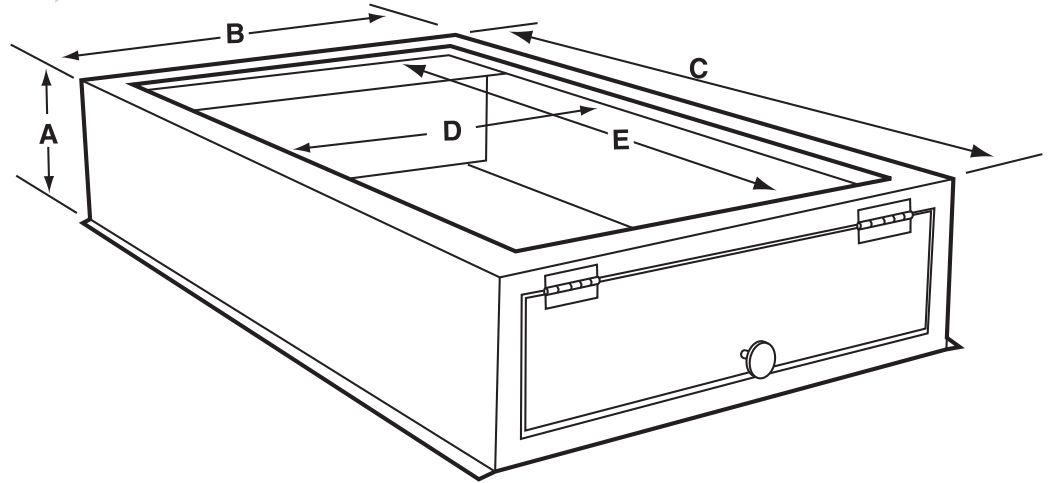
Height 5 3/4"

Handles 1", 2" or 4" filters

### ACCOMMODATOR SHORT BASE

Height 3 3/4"

Handles 1" or 2" filters



- Spring-hinged door for easy access
- Built for standard filters
- Gasketed door ensures tight seal
- Fully insulated
- Sizes to fit all furnaces through 5 tons
- Individually Boxed

**NOTE:**

1", 2" or 4" filter options

Filter may be purchased at your local wholesaler or distributor

### Accommodator Short

PART #	OUTSIDE DIMENSION			DUCT OPENING		FILTER SIZE
	A	B	C	D	E	
ACE 1420-3	3 <sup>3</sup> / <sub>4</sub>	15 <sup>5</sup> / <sub>8</sub>	22	12 <sup>7</sup> / <sub>8</sub>	19	14 x 20
ACE 1620-3	3 <sup>3</sup> / <sub>4</sub>	17 <sup>7</sup> / <sub>8</sub>	22	14 <sup>7</sup> / <sub>8</sub>	19	16 x 20
ACG 2020-3	3 <sup>3</sup> / <sub>4</sub>	21 <sup>5</sup> / <sub>8</sub>	22	17 <sup>1</sup> / <sub>4</sub>	19	20 x 20
ACE 2025-3	3 <sup>3</sup> / <sub>4</sub>	26 <sup>3</sup> / <sub>8</sub>	22	23 <sup>7</sup> / <sub>8</sub>	19	20 x 25
ACE 2025-3N	3 <sup>3</sup> / <sub>4</sub>	21 <sup>5</sup> / <sub>8</sub>	25	18 <sup>3</sup> / <sub>4</sub>	23	20 x 25

### Accommodator Tall

PART #	OUTSIDE DIMENSION			DUCT OPENING		FILTER SIZE
	A	B	C	D	E	
ACE 1420-6	5 <sup>3</sup> / <sub>4</sub>	15 <sup>5</sup> / <sub>8</sub>	22	12 <sup>7</sup> / <sub>8</sub>	19	14 x 20
ACE 1620-6	5 <sup>3</sup> / <sub>4</sub>	17 <sup>7</sup> / <sub>8</sub>	22	14 <sup>7</sup> / <sub>8</sub>	19	16 x 20
ACE 2020-6	5 <sup>3</sup> / <sub>4</sub>	21 <sup>5</sup> / <sub>8</sub>	22	18 <sup>7</sup> / <sub>8</sub>	19	20 x 20
ACE 2025-6	5 <sup>3</sup> / <sub>4</sub>	26 <sup>3</sup> / <sub>8</sub>	22	23 <sup>7</sup> / <sub>8</sub>	19	20 x 25
ACE 2025-6N	5 <sup>3</sup> / <sub>4</sub>	21 <sup>5</sup> / <sub>8</sub>	25	18 <sup>3</sup> / <sub>4</sub>	23	20 x 25