

KRYO Fortress



DUAL VOLTAGE, REVERSIBLE, MULTI-MOUNT

When you need a ready-made repair solution, the KRYO FORTRESS motor is one of the smartest motors you can stock in your truck.



STOCK NUMBER	WATTS	RPM	SPEEDS	VOLTS	AMPS	ROTATION	BEARING	ENCLOSURE	SHAFT	NOTE
MD5411	4-27	1550	1	90-240	.30-.65	REV	BALL	IP66	1/4-20	A

A) Stock No. 2117 - 90° cord adapter available separately



REPLACES 28 DIFFERENT MOTOR RATINGS

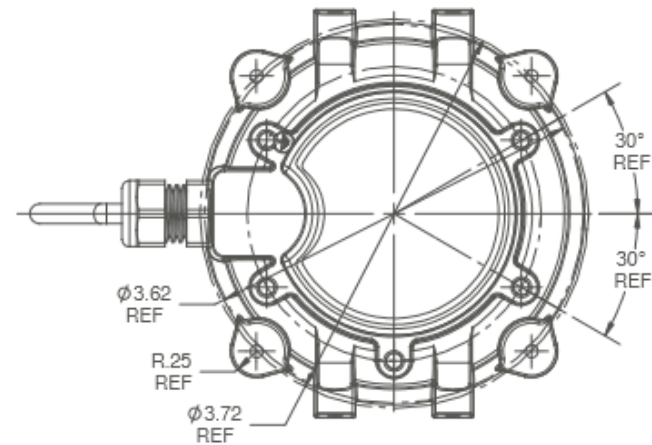
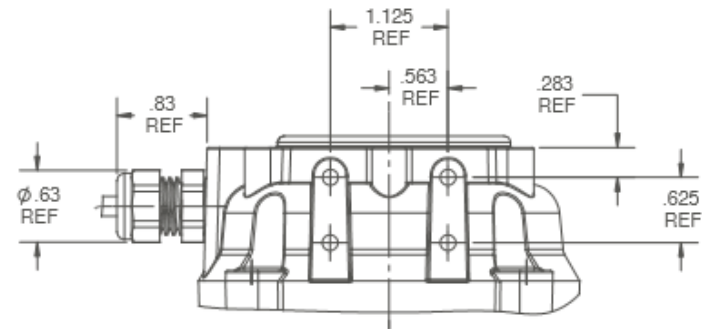


KRYO Fortress



BUILT TO BE YOUR TRUCK STOCK MOTOR

- **One motor replaces all motors rated:**
 - › 4-27 watts (automatically operates at the watts needed by load)
 - › 1550 rpm
 - › 115-230 VAC (Automatic)
Allowable voltage range 90-240 VAC
 - › CW & CCW (one wire connection)
 - › Standard 1/4-20 shaft thread
- **Multiple standard mounting options**
 - › Standard rear 3-hole and 4-hole mounting
 - › Two-sided mounting feet
- **Can be used in evaporator and condenser applications**

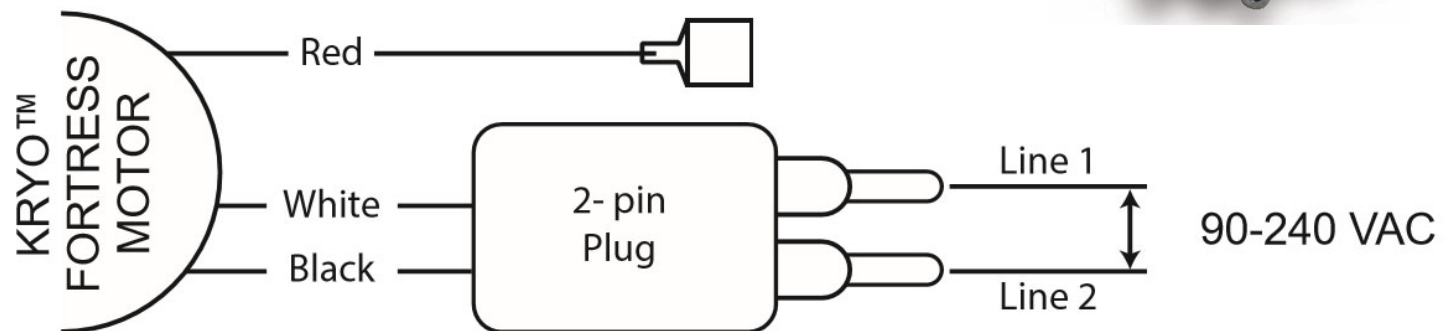


KRYO Fortress



BUILT TO BE EASY TO INSTALL

- Standard two-pin molded plug (operates motor at 4-27 watts, 1550 rpm, 115 & 230v, CW rotation)
- Reverse rotation with one wire connection
- Multiple standard mounting options



CW Rotation - Connect 2-pin (White and Black wires) plug only

CCW Rotation - Add Red wire to L1 or L2