

Job Name:

System Reference:

Date:

Indoor Unit:
SVZ-KP36NA



Outdoor Unit:
SUZ-KA36NA2



INDOOR UNIT FEATURES

- Ducted air handler provides a solution to cool and heat larger zones
- Highly efficient completely enclosed EC motor
- Selectable external static pressure: 0.30, 0.50 and 0.80 in.WG with 3 fan speeds at each static setting
- 1 inch R4.2 fiberglass free insulation reduces condensation and increases efficiency
- Positive pressure cabinet with air leakage of less than 2.0% at 1.0 in. w.g. (Tested per ASHRAE Standard 193)
- Unique blow through design allows simple coil cleaning when the blower is removed
- Multi-position installation: horizontal (left or right), vertical (upflow)
- Optional electric heat kit for additional heating capacity
- Optional humidifier control, ERV control and auxiliary heat control
- Optional downflow kit

OUTDOOR UNIT FEATURES

- Variable speed INVERTER-driven compressor
- Innovative Joint Lap DC Motor leads to high efficiency and reliability
- Pulse Amplitude Modulation technology
- High-performance grooved piping for increased heat exchange efficiency

SPECIFICATIONS: SVZ-KP36NA & SUZ-KA36NA2

Cooling at 95°F ¹	Maximum Capacity	Btu/h	33,000
	Rated Capacity	Btu/h	33,000
	Minimum Capacity	Btu/h	11,600
	Maximum Power Input	W	3,720
	Rated Power Input	W	3,720
	Moisture Removal	Pints/h	4.7
	Sensible Heat Factor		0.84
	Power Factor (208/230V)	%	99
Cooling at 82°F	Maximum Capacity	Btu/h	35,800
	Rated Capacity	Btu/h	35,800
	Minimum Capacity	Btu/h	12,400
	Maximum Power Input	W	3,260
	Rated Power Input	W	3,260
Heating at 47°F ²	Maximum Capacity	Btu/h	36,000
	Rated Capacity	Btu/h	33,500
	Minimum Capacity	Btu/h	13,260
	Maximum Power Input	W	3,100
	Rated Power Input	W	3,030
	Power Factor	%	98
Heating at 17°F ³	Maximum Capacity	Btu/h	23,200
	Rated Capacity	Btu/h	23,200
	Maximum Power Input	W	2,710
	Rated Power Input	W	2,710
Efficiency	SEER		16.0
	EER ¹		8.8
	HSPF (IV)		11.7
	COP at 47°F ²		3.24
	COP at 17°F in Maximum Capacity ³		2.51
Electrical	Voltage, Phase, Frequency		208/230V, 1 phase, 60Hz
	Guaranteed Voltage Range	V AC	187-253
	Voltage: Indoor - Outdoor, S1-S2	V AC	208/230
	Voltage: Indoor - Outdoor, S2-S3	V DC	24
	Voltage: Indoor - Remote Controller	V DC	12
	Recommended Fuse/Breaker Size	A	20
	Recommended Wire Size (Indoor - Outdoor)	AWG	14
Indoor Unit	MCA	A	4.13
	Fan Motor Full Load Amperage	A	3.3
	Fan Motor Output	W	244
	Airflow Rate at Cooling, Dry	CFM	910-910-767
	Airflow Rate at Heating, Dry	CFM	910-910-767
	Sound Pressure Level (Cooling)	dB(A)	43-39-35

SPECIFICATIONS: SVZ-KP36NA & SUZ-KA36NA2

	Sound Pressure Level (Heating)	dB(A)	43-39-35
	External Static Pressure	in.WG	0.30-0.50-0.80
	Drain Pipe Size	In. (mm)	3/4 (19)
	Heat Exchanger Type		Plate fin coil
	External Finish Color		Black
	Unit Dimensions	W: In. (mm)	21 (533)
		D: In. (mm)	21-5/8 (549)
		H: In. (mm)	43-3/4 (1,111)
	Package Dimensions	W: In. (mm)	22 (558)
		D: In. (mm)	28-3/4 (730)
		H: In. (mm)	48-3/8 (1,228)
Unit Weight	Lbs. (kg)	119 (54)	
Package Weight	Lbs. (kg)	141 (64)	
Indoor Unit Operating Temperature Range	Cooling Intake Air Temp (Maximum / Minimum)*	°F	90F D.B / 71F W.B // 67F D.B / 57F W.B
	Heating Intake Air Temp (Maximum / Minimum)	°F	80F D.B // 70F D.B
Outdoor Unit	MCA	A	17
	MOCP	A	31
	Fan Motor Full Load Amperage	A	1
	Fan Motor Output	W	60
	Airflow Rate	CFM	2,020 / 1,930
	Refrigerant Control		LEV
	Defrost Method		Reverse cycle
	Heat Exchanger Type		Plate fin coil
	Sound Pressure Level, Cooling ¹	dB(A)	55
	Sound Pressure Level, Heating ²	dB(A)	55
	Compressor Type		DC INVERTER-driven Twin Rotary
	Compressor Model		SNB220FQGM1T
	Compressor Rated Load Amps	A	13.0
	Compressor Locked Rotor Amps	A	16.0
	Compressor Oil Type // Charge	oz.	FV50S // 15.6
	External Finish Color		Ivory Munsell 3Y 7.8/1.1
	Base Pan Heater		Optional
	Unit Dimensions	W: In. (mm)	33-1/16 (840)
		D: In. (mm)	13 (330)
		H: In. (mm)	34-5/8 (880)
Package Dimensions	W: In. (mm)	38-9/16 (980)	
	D: In. (mm)	16-9/16 (420)	
	H: In. (mm)	41 (990)	
Unit Weight	Lbs. (kg)	129 (59)	
Package Weight	Lbs. (kg)	148 (67)	
Outdoor Unit Operating Temperature Range	Cooling Air Temp (Maximum / Minimum)*	°F	115 / 14

SPECIFICATIONS: SVZ-KP36NA & SUZ-KA36NA2

	Cooling Thermal Lock-out / Re-start Temperatures**	°F	1 / 5
	Heating Air Temp (Maximum / Minimum)	°F	75 / 14
	Heating Thermal Lock-out / Re-start Temperatures**	°F	10 / 14
Refrigerant	Type	R410A	
	Charge	Lbs, oz	4, 14
Piping	Gas Pipe Size O.D. (Flared)	In.(mm)	5/8 (12.88)
	Liquid Pipe Size O.D. (Flared)	In.(mm)	3/8 (9.52)
	Maximum Piping Length	Ft. (m)	100
	Maximum Height Difference	Ft. (m)	100
	Maximum Number of Bends	10	

Notes

AHRI Rated Conditions (Rated data is determined at a fixed compressor speed)	¹ Cooling (Indoor // Outdoor)	°F	80 DB, 67 WB // 95 DB, 75 WB
	² Heating at 47°F (Indoor // Outdoor)	°F	70 DB, 60 WB // 47 DB, 43 WB
	³ Heating at 17°F (Indoor // Outdoor)	°F	70 DB, 60 WB // 17 DB, 15 WB

*Applications should be restricted to comfort cooling only; equipment cooling applications are not recommended for low ambient temperature conditions.

**System cuts out in heating mode to avoid thermistor error and automatically restarts at these temperatures.

ACCESSORIES: SVZ-KP36NA

Wireless Signal Receiver	<input type="checkbox"/> PAR-FA32MA-W
Wireless Signal Receiver	<input type="checkbox"/> PAR-FA32MA-E
Wireless Remote Controller	<input type="checkbox"/> PAR-FL32MA-E
Backlit, Wall-mounted, Wireless Controller	<input type="checkbox"/> MHK1
Portable Central Controller	<input type="checkbox"/> MCCH1
Wired MA Controller	<input type="checkbox"/> PAR-33MAA
Simple MA Controller	<input type="checkbox"/> PAC-YT53CRAU
Touch MA Controller	<input type="checkbox"/> PAR-CT01MAU-SB
Airzone ZBS Wired Blueface Principal Controller White	<input type="checkbox"/> AZZBSBLUEFACECB
Airzone ZBS Wired Think Controller White	<input type="checkbox"/> AZZBSTHINKCB
Airzone ZBS Wireless Think Controller White	<input type="checkbox"/> AZZBSTHINKRB
Airzone ZBS Wired Lite Controller White	<input type="checkbox"/> AZZBSLITECB
Airzone ZBS Wireless Lite Controller White	<input type="checkbox"/> AZZBSLITERB
Wired Remote Sensor	<input type="checkbox"/> PAC-SE41TS-E
Wireless Temperature and Humidity Sensor	<input type="checkbox"/> PAC-USWHS003-TH-1
Outside Air Sensor for MHK1	<input type="checkbox"/> MOS1
Flush Mount Remote Temperature Sensor	<input type="checkbox"/> PAC-USSEN001-FM-1
Wireless Interface	<input type="checkbox"/> PAC-USWHS002-WF-1
Thermostat Interface	<input type="checkbox"/> PAC-US444CN-1
kumo station®	<input type="checkbox"/> PAC-WHS01HC-E
USNAP Interface	<input type="checkbox"/> PAC-WHS01UP-E
IT Extender	<input type="checkbox"/> PAC-WHS01IE-E
BACnet® and MODBUS® Interface	<input type="checkbox"/> PAC-UKPRC001-CN-1
External Fan / Heater Control Relay Adapter	<input type="checkbox"/> CN24RELAY-KIT-CM3
Connector cable for remote display	<input type="checkbox"/> PAC-SA88HA-EP
Connector for CN32 (remote on/off)	<input type="checkbox"/> PAC-SE55RA-E
Remote Operation Adapter ¹	<input type="checkbox"/> PAC-SF40RM-E
MegaBlue Advanced Blue Diamond Condensate Pump w/ Reservoir & Sensor	<input type="checkbox"/> X87-835 - 110 to 250V
MaxiBlue Advanced Blue Diamond Mini Condensate Pump w/ Reservoir & Sensor (110V) up to 48,000 Btu/h [recommended]	<input type="checkbox"/> X87-711 - 110V
Advanced Blue Diamond Mini Condensate Pump w/ Reservoir & Sensor (208/230V) [recommended]	<input type="checkbox"/> X87-721 - 208/230V
Drain Pan Level Sensor	<input type="checkbox"/> DPLS2
(30A/600V/UL) [fits 2" X 4" utility box] - Black	<input type="checkbox"/> TAZ-MS303
(30A/600V/UL) [fits 2" X 4" utility box] - White	<input type="checkbox"/> TAZ-MS303W
Separate Power Terminal Block Kit	<input type="checkbox"/> SPTB1
Electric Heat Lockout Control	<input type="checkbox"/> ETC-211000-MIT
Downflow Kit	<input type="checkbox"/> DFK-M
5kW Electric Heater	<input type="checkbox"/> EH05-SVZ-M
8kW Electric Heater	<input type="checkbox"/> EH08-SVZ-M
10kW Electric Heater	<input type="checkbox"/> EH10-SVZ-M

¹ Unable to use with wireless remote controller

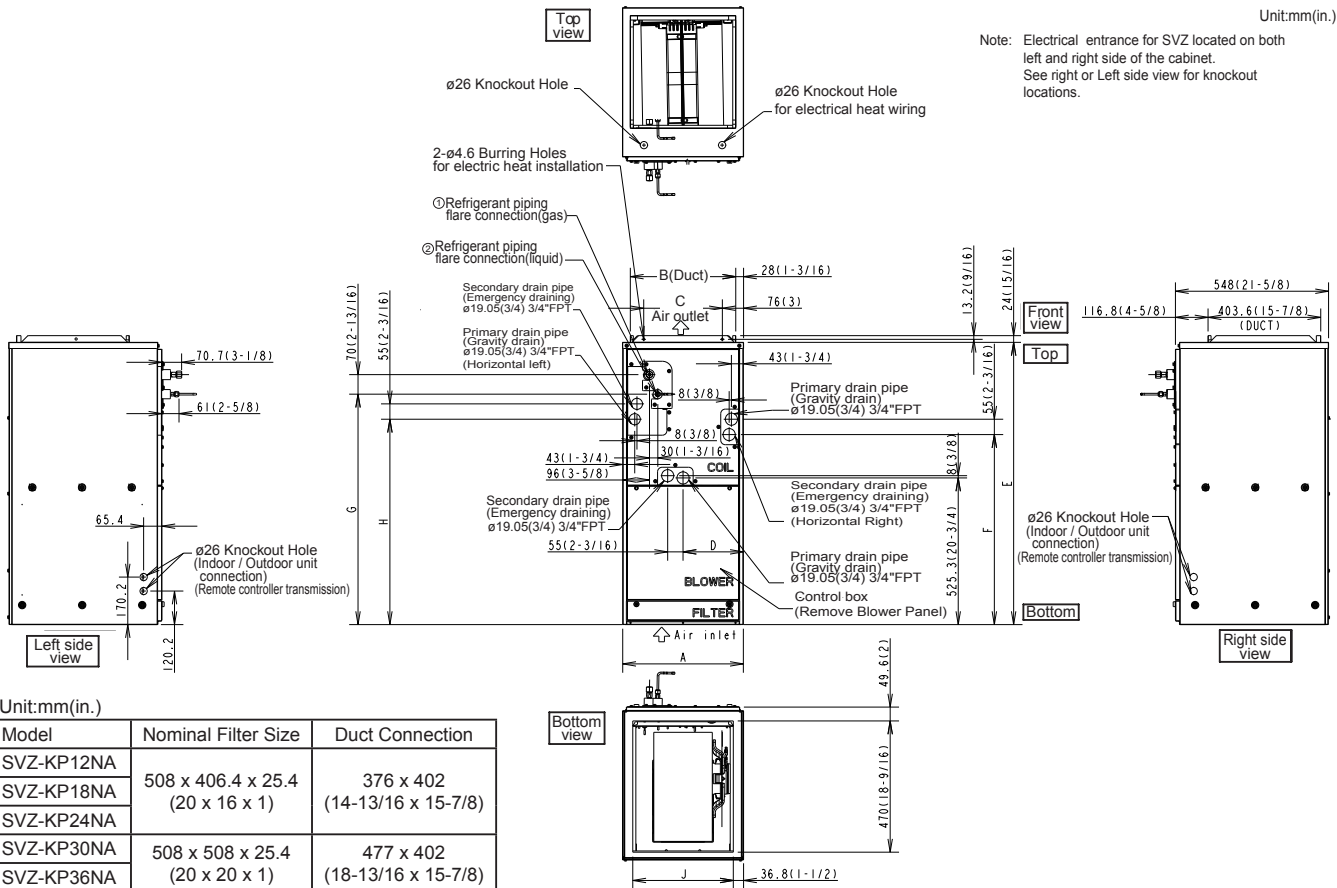
ACCESSORIES: SUZ-KA36NA2

Air Outlet Guide	□ MAC-886SG-E
Optional Defrost Heater	□ MAC-642BH-U1
Hail Guard	□ HG-A7
Outdoor Unit 3-1/4 inch Mounting Base (Pair) - Plastic	□ DSD-400P
Condensing Unit Mounting Pad 16" x 36" x 3"	□ ULTRILITE1
Outdoor Unit Stand — 12" High	□ QSMS1201M
Outdoor Unit Stand — 18" High	□ QSMS1801M
Outdoor Unit Stand — 24" High	□ QSMS2401M
Heavy Duty Wall Mounting Bracket— Coated Steel	□ QSWB2000M-1
Heavy Duty Wall Mounting Bracket — 316 Series Stainless Steel	□ QSWBSS
10' x 3/8" x 10' x 5/8" Lineset (Twin-Tube Insulation)	□ MPLS385812T-10
15' x 3/8" x 15' x 5/8" Lineset (Twin-Tube Insulation)	□ MPLS385812T-15
30' x 3/8" x 30' x 5/8" Lineset (Twin-Tube Insulation)	□ MPLS385812T-30
50' x 3/8" x 50' x 5/8" Lineset (Twin-Tube Insulation)	□ MPLS385812T-50
65' x 3/8" x 65' x 5/8" Lineset (Twin-Tube Insulation)	□ MPLS385812T-65
100' x 3/8" x 100' x 5/8" Lineset (Twin-Tube Insulation)	□ MPLS385812T-100

DIMENSIONS: SVZ-KP36NA

Unit:mm(in.)

Note: Electrical entrance for SVZ located on both left and right side of the cabinet.
See right or Left side view for knockout locations.



Unit:mm(in.)

Model	Nominal Filter Size	Duct Connection
SVZ-KP12NA	508 x 406.4 x 25.4 (20 x 16 x 1)	376 x 402
SVZ-KP18NA		(14-13/16 x 15-7/8)
SVZ-KP24NA		
SVZ-KP30NA	508 x 508 x 25.4 (20 x 20 x 1)	477 x 402
SVZ-KP36NA		(18-13/16 x 15-7/8)

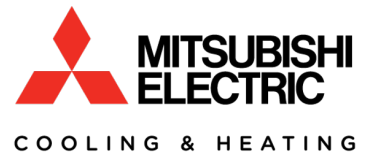
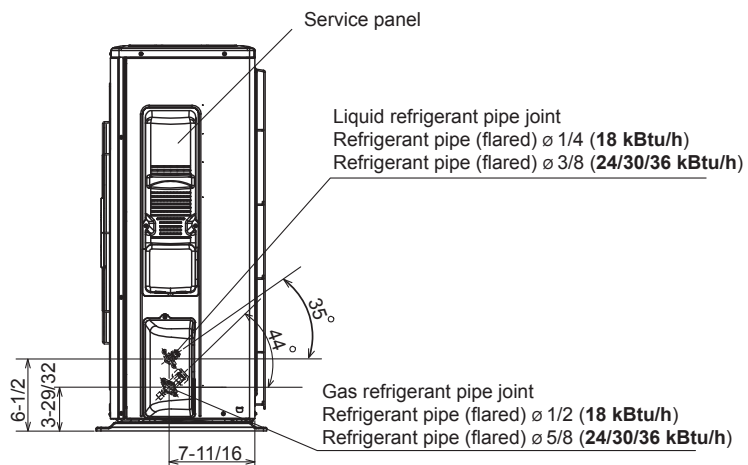
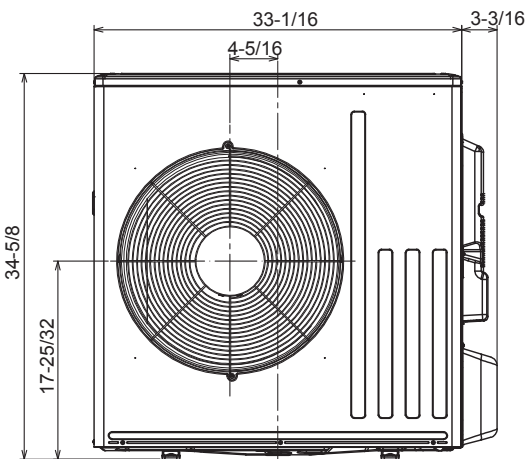
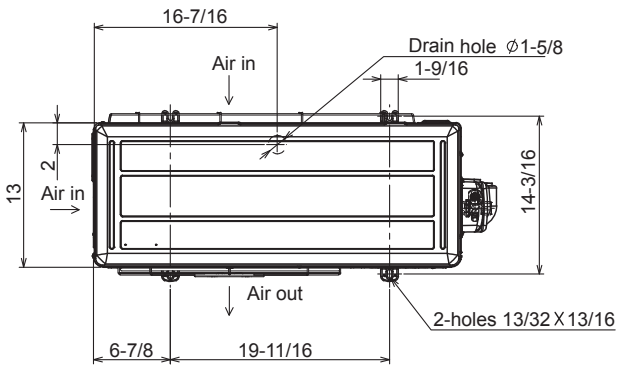
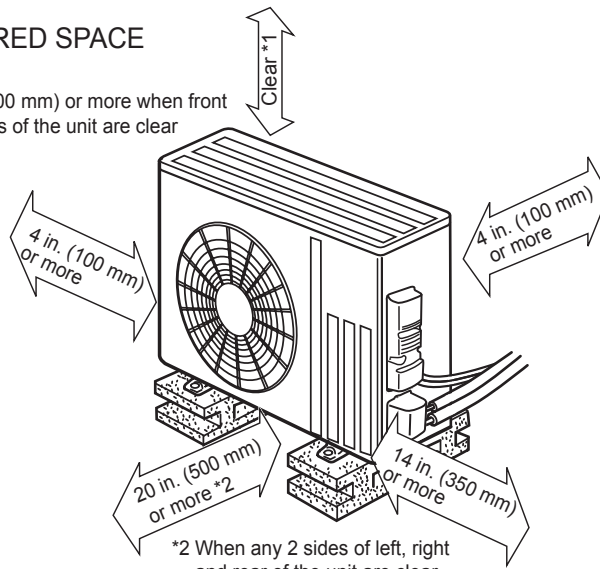
Model	A	B	C	D	E	F	G	H	J	Gas Pipe	Liquid pipe
SVZ-KP12NA	432 (17)	376 (14-13/16)	281 (11-1/8)	224 (8-7/8)	1,010.8 (39-13/16)	680 (26-13/16)	823 (32-7/16)	735.5 (29)	360 (14-3/16)	ø 9.52 (3/8)	ø 6.35 (1/4)
SVZ-KP18NA										ø 12.7 (1/2)	
SVZ-KP24NA											
SVZ-KP30NA	534 (21)	477 (18-13/16)	382.6 (15-1/8)	266.5 (10-1/2)	1,113.8 (43-7/8)	737 (29-1/16)	953.5 (37-9/16)	792 (31-3/16)	461 (18-3/16)	ø 15.88 (5/8)	ø 9.52 (3/8)
SVZ-KP36NA											

DIMENSIONS: SUZ-KA36NA2

Unit: inch

REQUIRED SPACE

*1 20 in. (500 mm) or more when front and sides of the unit are clear



1340 Satellite Boulevard, Suwanee, GA 30024
Toll Free: 800-433-4822 www.mehvac.com

FORM# SVZ-KP18NA / SUZ-KA36NA2 - 201901



Specifications are subject to change without notice.

© 2019 Mitsubishi Electric Trane HVAC US LLC. All rights reserved.