

PAR-CT01MAU-SB TOUCH MA CONTROLLER



Job Name:

System Reference:

Date:

CAPABILITIES

- Supports both Fahrenheit and Celsius
- Basic functions:
 - ON/OFF
 - Operation mode: AUTO, COOL, HEAT, FAN
 - Vane Setting: Auto, Step 1-5, Swing
 - Airflow direction
 - Daylight Savings Time (DST)
- Restriction
 - Set temperature range limits (dependent on system connected):
 - Cooling from 67°F to 95°F
 - Heating from 40°F to 83°F
 - Auto (Single Set Point) from 67°F to 83°F
 - Operation lock: On/Off, Mode, Set Temperature, Vane, Menu, Fan, Louver, Hold
 - Home screen display icon
- Ventilation (Lossnay): Off, Low, High
 - Manual vane angle: No Setting, Step 1-5, Draft Reduction, All outlet
 - Draft reduction mode keeps the vane angle more horizontal than the angle of Step 1
 - Room Temperature can be sensed either at the indoor unit (default) or the remote controller
 - CITY MULTI® units only
- Error code notification
 - Displays error code and error unit address
 - Error time occurrence
 - Contact information is accessible
- Grouping:
 - Only one remote controller can be connected to a group made up of indoor units
 - The MA Touch Remote Controller cannot be used in combination with other MA remote controllers
- Addressing: No addressing required
- Customizable display
 - Customizable Text and background color
 - Logo Transmission: load a custom image onto the screen using the smartphone app.
- Main Display
 - Full: Shows all icons and values
 - Basic: Limited to Mode, Set Temperature, Fan, Time & Day
 - Temporarily disable display for cleaning (30 seconds)
 - Adjustable contrast level
 - Language - English, French, Spanish



- Bluetooth connection to remotely control settings on Touch MA controller
 - Logo transmission
 - Clock synchronization
 - Copy settings from one controller to others
- Wiring: Uses two-wire, stranded, non-polar control wire for connecting TB15 connection terminal on the indoor unit
- High Power
 - Operate at higher-than-normal capacity to bring the room to set temperature quickly for up to 30 minutes
- On/Off Timer
 - Set On Time (5-minute increments)
 - Set Off Time (5-minute increments)
 - Repeat daily
 - Home screen display icon
- Auto-Off Timer
 - Automatically turns unit off after preset time is reached
 - Time range: 30 to 240 minutes (10-minute increments)
 - Home screen display icon
- Weekly Timer
 - Schedulable: Mon, Tue, Wed, Thu, Fri, Sat, Sun
 - 1 to 8 time periods per day (5-minute increments)
- Set Mode: On/Off/Auto (Dual set point)
 - Set Temperature
- Outdoor Unit silent mode
 - Schedulable: Mon, Tue, Wed, Thu, Fri, Sat, Sun
 - Start/Stop times (5-minute increments)
 - Silent levels: Normal, Middle, Quiet
- Energy saving features:
 - Automatic return to the preset temperature set point if the set point is changed from the remote controller after a preset time range
 - Cool preset temperature: Cool, Dry, Auto-Cool
 - Heat preset temperature: Heat, Auto-Heat
 - Range: 30 to 120 minutes (10-minute increments)
 - Energy-saving Operation Schedule
 - Schedulable: Mon, Tue, Wed, Thu, Fri, Sat, Sun
 - 1 to 4 time periods per day (5-minute increments)
 - Four daily patterns with time periods (5 minute increments) and energy-saving rate 0% to 90%
- Home screen display icon
 - Night setback
 - Starts Heat/Cool operation when room temperature exceeds preset temperature range
 - Adjustable time range (5-minute increments)
- Requires crossover wiring for grouping across indoor units
- Filter maintenance notification
- Dimensions W x H x D: 2-9/16 x 4-3/4 x 9/16 Inches
(65 x 120 x 14.1 mm)

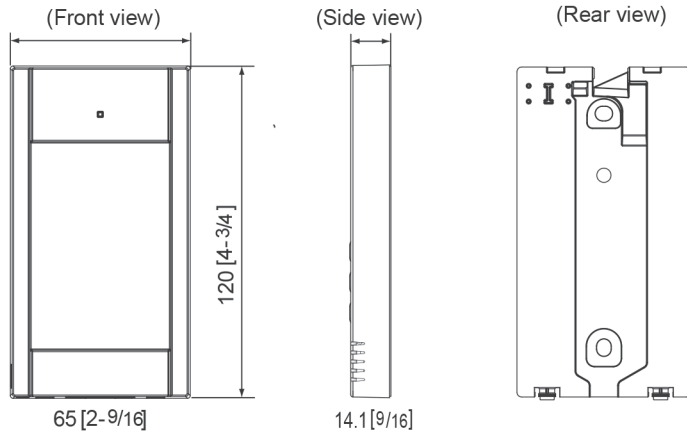
SPECIFICATIONS, DIMENSIONS, MOUNTING DIAGRAM, INSTALLATION SPACE: PAR-CT01MAU-SB

SPECIFICATIONS

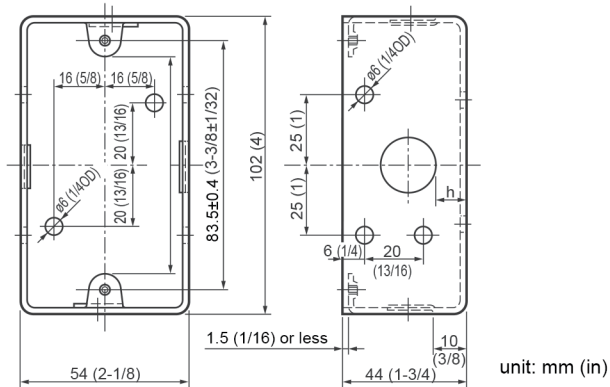
Product Size (W x H x D)	In. (mm)	2-9/16 x 4-3/4 x 9/16 (65 x 120 x 14.1)
Net Weight	Lbs. (kg)	13/64 (0.09)
Rated Power Supply Voltage		12 VDC (supplied from indoor units)
Power Consumption	W	0.6
Usage Environment		Temperature: 32 ~ 104°F (0 ~ 40°C) Humidity: 25 ~ 90%RH (with no dew condensation)
Material		Main Body: ABS

DIMENSIONS

Unit: mm[in.]

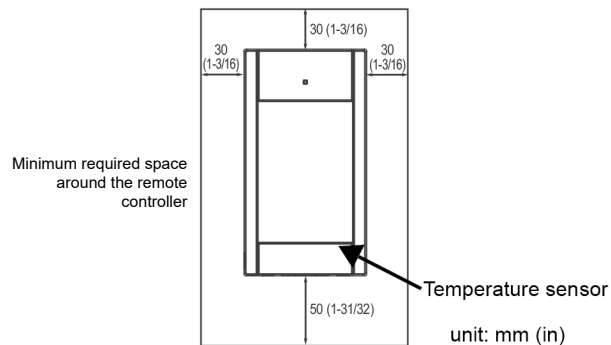


MOUNTING DIAGRAM



INSTALLATION SPACE

External dimensions of remote controller



COMPATIBILITY CHART

CITY MULTI®	M-Series	P-Series
PMFY-NBMU: YES	MFZ-KA: YES ¹	PCA: YES
PEFY-NMHU: YES	MFZ-KJ: YES ¹	PEA: YES
PEFY-NMAU: YES	MSZ/Y-A: YES ¹	PEAD: YES
PEFY-NMHSU: YES	MSZ/Y-D: YES ¹	PKA: YES
PEFY-NMLU: YES	MS-WA: NO	PLA: YES
PEFY-NMSU: YES	MSZ-FD: YES ¹	PVA: YES
PLFY-NAMU: YES	MSZ-FE: YES ¹	
PLFY-NBMU: YES	MSZ/Y-GE: YES ¹	
PLFY-NCMU: YES	MSZ/Y-GL: YES ¹	
PLFY-NEMU: YES	MSZ/Y-GS: YES ¹	
PLFY-NFMU: YES	MSZ-FH: YES ¹	
PLFY-NLMU: YES	MSZ-FS: YES ¹	
PCFY-VKM: YES	MSZ-HE: NO	
PCFY-NGMU: YES	MSZ-HM: NO	
PCFY-NKMU: YES	MSZ-JP: YES ¹	
PFFY-NEMU: YES	MSZ-WR: YES ¹	
PFFY-NRMU: YES	MVZ-AA4: YES	
PVfy-E00: YES	MVZ-AA7: YES	
PVfy-NAMU: YES	SVZ-KP: YES	
PKFY-NAMU: YES	SEZ-KD: YES	
PKFY-NFMU: YES	SEZ-KD4: YES	
PKFY-NGMU: YES	SLZ-KA: YES	
PKFY-NBMU: YES	MLZ-KP: YES ¹	
PKFY-NHMU: YES	¹ Requires MAC-334IF-E	
PKFY-NKMU: YES		

1340 Satellite Boulevard, Suwanee, GA 30024
Toll Free: 800-433-4822 www.mehvac.com