

Job Name: _____	
System Reference: _____	Date: _____



Indoor Unit: MSZ-GE18NA-8



Wireless Remote Controller



Outdoor Unit: MUZ-GE18NA-1

GENERAL FEATURES

- Wall-mounted indoor unit
- Standard Hybrid Catechin Prefilter is included with indoor unit
- Quiet operation
- Auto fan speed control: Quiet, Low, Medium, High, and Super High
- Hand-held Wireless Remote Controller
- Indoor unit powered from outdoor unit using A-Control
- Auto restart following a power outage
- Anti-allergy Enzyme Filter
- Limited warranty: five years parts and seven years compressor

ACCESSORIES

Indoor Unit

- Condensate Pump (BlueDiamond X87-711/721; 115/230V)
- Condensate Pump (Sauermaann SI30-115/230; 115/230V)
- Anti-Allergy Enzyme Filter (MAC-408FT-E)
- Drain Pan Level Sensor (DPLS2)

Outdoor Unit

- Three-pole Disconnect Switch (TAZ-MS303)
- Air Outlet Guide (MAC-886SG-E)
- Mounting Base (DSD-400N)
- Mounting Pad (ULTRILITE1)
- Wall Mounting Bracket (QSWB2000M-1)

Controller Options

- Wireless Controller (MHK1)
- Wired Remote Controller PAR-31MAA (Requires MAC-333IF-E)
- Wireless Interface for kumo cloud™ (PAC-WHS01WF-E)
- Thermostat Interface (PAC-US444CN-1)

SPECIFICATIONS

Cooling¹

Rated Capacity	17,200 Btu/h
Minimum Capacity	3,700 Btu/h
SEER	19.2 Btu/h/W
Total Input	1,640 W

Heating at 47° F²

Rated Capacity	21,600 Btu/h
Minimum Capacity	3,500 Btu/h
HSPF	10.0 Btu/h/W
Total Input	1,900 W

Heating at 17° F³

Rated Capacity	13,400 Btu/h
Rated Total Input	1,450 W
Maximum Capacity**	17,200 Btu/h
Maximum Total Input	2,080 W

¹ Cooling | Indoor: 80° F (27° C) DB / 67° F (19° C) WB*

¹ Cooling | Outdoor: 95° F (35° C) DB / 75° F (24° C) WB*

² Heating at 47° F | Indoor: 70° F (21° C) DB / 60° F (16° C) WB*

² Heating at 47° F | Outdoor: 47° F (8° C) DB / 43° F (6° C) WB*

³ Heating at 17° F | Indoor: 70° F (21° C) DB / 60° F (16° C) WB*

³ Heating at 17° F | Outdoor: 17° F (-8° C) DB / 15° F (-9° C) WB*

* Rating Conditions per AHRI Standard

** Maximum Capacity is at full speed and performance for INVERTER-driven System.

Electrical Requirements

Power Supply	208 / 230V, 1-Phase, 60 Hz
Breaker Size	15 A

Voltage

Indoor - Outdoor S1-S2	AC 208 / 230V
Indoor - Outdoor S2-S3	DC ±24V
Indoor - Remote Controller	MHK1 DC 3V PAR-31MAA DC 12V PAC-YT53CRAU DC 12V

OPERATING RANGE

		Indoor Intake Air Temp.	Outdoor Intake Air Temp.
Cooling ⁴	Maximum	90° F (32° C) DB 73° F (23° C) WB	115° F (46° C) DB
	Minimum	67° F (19° C) DB 57° F (14° C) WB	14° F (-10° C) DB
Heating	Maximum	80° F (27° C) DB 67° F (19° C) WB	75° F (24° C) DB 65° F (18° C) WB
	Minimum	70° F (21° C) DB 60° F (16° C) WB	-4° F (-20° C) DB ⁵ -5° F (-21° C) WB

⁴ Applications should be restricted to comfort cooling only; equipment cooling applications are not recommended for low ambient temperature conditions.

⁵ System cuts out at -9° F (-27° C) to avoid thermistor error and automatically restarts at -4° F (-20° C).

Indoor Unit

MCA	1 A
Blower Motor (ECM)	0.76 F.L.A.
Airflow (Quiet - Lo - Med - Hi - Super Hi)	
Cooling	230 - 275 - 339 - 420 - 533 Dry CFM 194 - 240 - 304 - 385 - 498 Wet CFM
Heating	230 - 275 - 339 - 431 - 512 Dry CFM

Sound Pressure Level (Quiet - Lo - Med - Hi - Super Hi)

Cooling	28 - 33 - 38 - 44 - 49 dB(A)
Heating	28 - 33 - 38 - 43 - 49 dB(A)

DIMENSIONS	UNIT INCHES / MM
W	31-7/16 / 799
D	9-1/8 / 232
H	11-5/8 / 295

Weight	22 lbs. / 10 kg
External Finish	Munsell No. 1.0Y 9.2 / 0.2
Field Drainpipe Size O.D.	5/8" / 15.88 mm

Outdoor Unit

Compressor	DC Inverter-driven Twin Rotary
MCA	14 A
Fan Motor (ECM)	0.93 F.L.A.
Sound Pressure Level	
Cooling	54 dB(A)
Heating	56 dB(A)

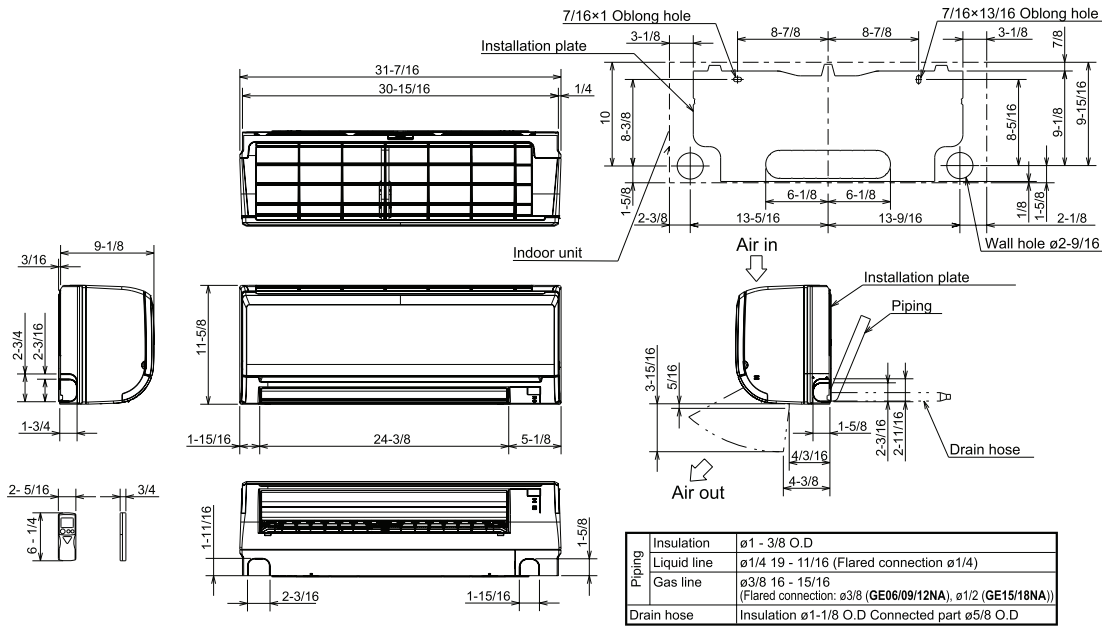
DIMENSIONS	INCHES / MM
W	33-1/16 / 840
D	13 / 330
H	33-7/16 / 849

Weight	119 lbs. / 54 kg
External Finish	Munsell No. 3Y 7.8 / 1.1
Refrigerant Type	R410A
Refrigerant Pipe Size O.D.	
Gas Side	1/2" / 12.7 mm
Liquid Side	1/4" / 6.35 mm
Max. Refrigerant Pipe Length	100 ft. / 30 m
Max. Refrigerant Pipe Height Difference	50 ft. / 15 m
Connection Method	Flared

DIMENSIONS: MSZ-GE18NA-8 & MUZ-GE18NA-1

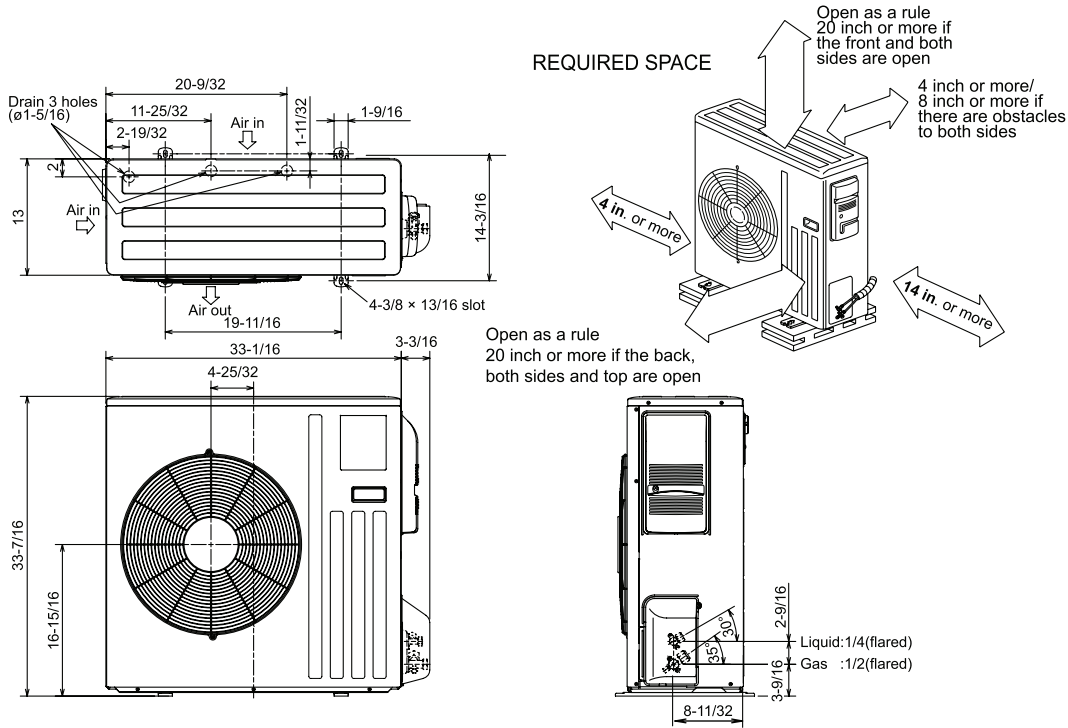
MSZ-GE18NA-8

Unit: inch



MUZ-GE18NA-1

Unit: inch



COOLING & HEATING

1340 Satellite Boulevard, Suwanee, GA 30024
Toll Free: 800-433-4822 www.mehvac.com

