

Job Name:	Date:
System Reference:	



Indoor Unit: MSZ-EF15NAS



Wireless Remote Controller

ACCESSORIES:

Indoor Unit

- Anti-allergy Enzyme Filter (MAC-2320FT-E)
- Extension Cord for Blue Diamond Pump (C13-103)
- Sauermann Mini-Condensation pump [115V] (SI30-115)
- Sauermann Mini-Condensation pump [230V] (SI30-230)
- MegaBlue Blue Diamond Condensate Pump [110-230V] (X87-835)
- Blue Diamond Sensor Extension Cable—15 Ft. (C13-103)
- Blue Diamond Alarm Extension Cable—6.5 Ft. (C13-192)
- Blue Diamond MultiTank—collection tank for use with multiple pumps (C21-014)
- Blue Diamond Rubber Foot Pads (F10-010)
- Mini-Condensation pump—115 volt application (SI30-115)
- Mini-Condensation pump—230 volt application (SI30-230)
- MaxiBlue Advanced Blue Diamond Mini-Condensation pump w/ Reservoir & Sensor—110V application (X87-831)
- MaxiBlue Advanced Blue Diamond Mini-Condensation pump w/ Reservoir & Sensor—208/230V application (X87-835)
- MaxiBlue Advanced Blue Diamond Mini-Condensation pump w/ Reservoir & Sensor (110V) up to 48,000 Btu/h [recommended] (X87-711 - 110)
- MaxiBlue Advanced Blue Diamond Mini-Condensation pump w/ Reservoir & Sensor (208/230V) up to 48,000 Btu/h [recommended] (X87-721 - 208/230)
- Up to 18,000 Btu/h MicroBlue Blue Diamond Mini Condensate Pump [110/208/230V] (X85-003)
- Fascia Kit for MicroBlue Pump – mounts beneath pump (T18-016)
- MegaBlue Blue Diamond Condensate Pump [110-230V] up to 170,000 Btu/h (X87-835)
- Drain Pan Level Sensor (DPLS2)
- 3-Pole Disconnect Switch {30A/600V/UL} [fits 2" X 4" utility box] (TAZ-MS303)

Controls

- Wireless Controller (MHK1)
- Touch MA Controller (PAR-CT01MAU-SB; Requires MAC-333IF-E)
- Wired Remote Controller (PAR-33MAA-J; Requires MAC-333IF-E)
- Simple MA Controller (PAC-YT53CRAU; Requires MAC-333IF-E)
- Wireless Temperature and Humidity Sensor (PAC-USWHS003-TH-1)
- Wireless Interface (PAC-USWHS002-WF-1)
- Thermostat Interface (PAC-US444CN-1)
- kumo station™ (PAC-WHS01HC-E)
- USNAP Interface (PAC-WHS01UP-E)
- IT Extender (PAC-US444CN-1)
- BACnet® Interface (PAC-UKPRC001-CN-1)

SPECIFICATIONS:

Rated Capacity*		
Cooling*1	Btu/h / W	14,000
Heating at 47° F*2	Btu/h / W	18,000

Rating Conditions per AHRI Standard:

*1 Cooling | Indoor: 80° F (27° C)DB / 67° F (19° C)WB ; Outdoor: 95° F (35° C)DB / 75° F (24° C)WB

*2 Heating at 47°F | Indoor: 70° F (21° C)DB / 60° F (16° C)WB ; Outdoor: 47° F (8° C)DB / 43° F (6° C)WB

For data on specific indoor units (all ducted, all non-ducted, and both ducted and non-ducted) combinations, see the MXZ Technical and Service Manual.

Electrical Power Requirements	208 / 230V, 1-Phase, 60 Hz	
-------------------------------	----------------------------	--

Minimum Circuit Ampacity (MCA)	A	1
--------------------------------	---	---

Blower Motor (ECM)	F.L.A.	0.67
--------------------	--------	------

Blower Motor Output	W	30
---------------------	---	----

Moisture Removal	pt./h	3.6
------------------	-------	-----

Field Drainpipe Size O.D.	In.(mm)	5/8 (15)
---------------------------	---------	----------

Airflow Rate (Lo - Med - Hi - Super Hi - Powerful)			
Cooling	DRY	CFM	205-233-272-314-364
	WET		176-200-234-270-313
Heating	DRY		194-222-275-350-448

Sound Pressure Level (Lo - Med - Hi - Super Hi - Powerful)		
Cooling	dB(A)	28-31-35-39-42
Heating		28-30-35-41-48

Unit Dimensions (H x W x D)	In.(mm)	11-3/4 x 34-13/16 x 7-11/16 (298 x 884 x 195)
-----------------------------	---------	--

Package Dimensions (H x W x D)	In.(mm)	14-1/4 x 38-3/4 x 10-3/4 (362 x 984 x 273)
--------------------------------	---------	---

Unit Weight	Lbs.(kg)	26 (11)
-------------	----------	---------

Package Weight	Lbs.(kg)	29 (13)
----------------	----------	---------

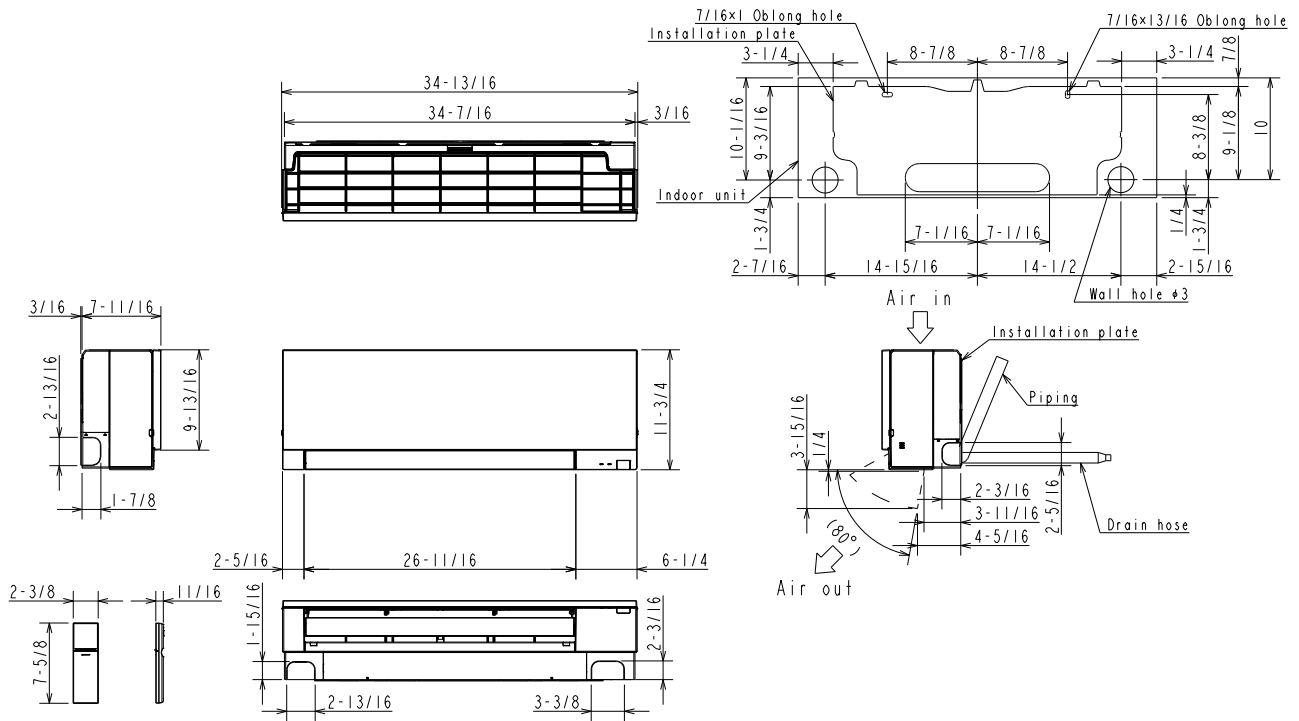
External Finish	Munsell 3.1PB 8.2/0.2	
-----------------	-----------------------	--

Refrigerant Piping (Flared)		
Liquid (High Pressure)	In.(mm)	1/4 (6.35)
Gas (Low Pressure)		1/2 (12.7)

DIMENSIONS: MSZ-EF15NAS

MSZ-EF15NAS

Unit: inch



MSZ-EF15/18NA

Piping	Insulation	φ1-7/16 O.D
	Liquid line	φ1/4 - 19-11/16 (Flared connection φ1/4)
	Gas line	φ3/8 - 16-15/16 (Flared connection φ1/2)
	Drain hose	Insulation φ1-1/8 Connected part φ5/8 O.D active length 15-3/8

Note: Extension pipe size refer to the specifications table.



COOLING & HEATING

1340 Satellite Boulevard, Suwanee, GA 30024
Toll Free: 800-433-4822 www.mehvac.com

