

Job Name: \_\_\_\_\_

System Reference: \_\_\_\_\_ Date: \_\_\_\_\_



Indoor Unit: MSZ-FH18NA



Wireless Remote Controller



Outdoor Unit: MUZ-FH18NA

### ACCESSORIES:

#### Indoor Unit

- Condensate Pump (BlueDiamond X87-711/721; 115/230V)
- Condensate Pump (Sauermann SI30-115/230; 115/230V)
- Replacement Platinum Deodorizing Filter (MAC-3000FT-E)
- Replacement Anti-allergy Enzyme Filter (MAC-2330FT-E)

#### Outdoor Unit

- Base Pan Heater (MAC-642BH-U)
- Drain Socket (MAC-860DS)

#### Controls

- Wireless Controller (MHK1)
- Advanced Wired Controller (PAR-31MAA requires MAC-333IF)
- Simple Wired Controller (PAC-YT53CRAU requires MAC-333IF)
- M-NET Adapter (PAC-SF83MA-E)
- System Control Interface (MAC-333IF)

### SPECIFICATIONS:

Rated Conditions (Capacity / Input)		
Cooling <sup>1</sup>	Btu/h / W	17,200 / 1,430
Heating at 47° F <sup>2</sup>	Btu/h / W	20,300 / 1,720

Capacity Range		Minimum	Maximum
Cooling <sup>1</sup>	Btu/h	6,450	21,000
Heating at 47° F <sup>2</sup>	Btu/h	5,150	30,000
Heating at 17° F <sup>3</sup>	Btu/h	-	20,300
Heating at 5° F <sup>4</sup>	Btu/h	-	20,300

1. Cooling | Indoor: 80° F(27° C)DB / 67° F(19° C)WB; Outdoor: 95° F(35° C)DB / 75° F(24° C)WB\*
  2. Heating at 47° F | Indoor: 70° F(21° C)DB / 60° F(16° C)WB; Outdoor: 47° F(8° C)DB / 43° F(6° C)WB\*
  3. Heating at 17° F | Indoor: 70° F(21° C)DB / 60° F(16° C)WB; Outdoor: 17° F(-8° C)DB / 15° F(-9° C)WB\*
  4. Heating at 5° F | Indoor: 70° F(21° C)DB / 60° F(16° C)WB; Outdoor: 5° F(-15° C)DB / 5° F(-15° C)WB
- \* Rating Conditions per AHRI Standard

Operating Conditions (Indoor Intake Air Temp.) (Max./ Min.)	
Cooling	90° F (32° C) DB / 67° F (19° C) DB
Heating	80° F (27° C) DB / 70° F (21° C) DB

Operating Conditions (Outdoor Intake Air Temp.) (Max./ Min.)	
Cooling	115° F (46° C) DB / 14° F (-10° C) DB
Heating	75° F (24° C) DB / -13° F (-25° C) DB**

\*\* System cuts out at -18° F (-28° C) to avoid thermistor error, but recovers from cutout operation and automatically restarts at -14° F (-26° C).

AHRI Efficiency Ratings	
SEER	21
HSPF	12
COP at 47° F	3.46
COP at 17° F	3.04

Electrical Power Requirements	208 / 230V, 1-Phase, 60 Hz
-------------------------------	----------------------------

Minimum Circuit Ampacity (MCA)		
Indoor / Outdoor	A	1 / 16

Indoor Unit		
Blower Motor (ECM)	F.L.A.	0.67
Blower Motor Output	W	30
SHF / Moisture Removal		0.67 / 5.1 pt./h
Field Drainpipe Size O.D.	In.(mm)	5/8 (15)

Outdoor Unit		
Compressor		DC INVERTER-driven Twin Rotary
Fan Motor (ECM)	F.L.A.	0.93

Airflow Rate (Lo - Med - Hi - Super Hi - Powerful)			
Indoor (Cooling)	DRY	CFM	225-262-304-355-437
	WET		194-225-261-305-376
Indoor (Heating)	DRY		201-254-317-394-514
Outdoor			1,692 / 1,634

Sound Pressure Level (Lo - Med - Hi - Super Hi - Powerful)			
Indoor	Cooling	dB(A)	27-31-35-39-44
	Heating		25-29-34-39-46
Outdoor	Cooling		52
	Heating		55

External Dimensions		
Indoor (H x W x D)	In.(mm)	12 + 11/16 x 36-7/16 x 9-3/16 (305 + 17 x 925 x 234)
Outdoor (H x W x D)		34-5/8 x 33-1/16 x 13 (880 x 840 x 330)

Net Weight		
Indoor	Lbs.(kg)	29 (12)
Outdoor		124 (56)

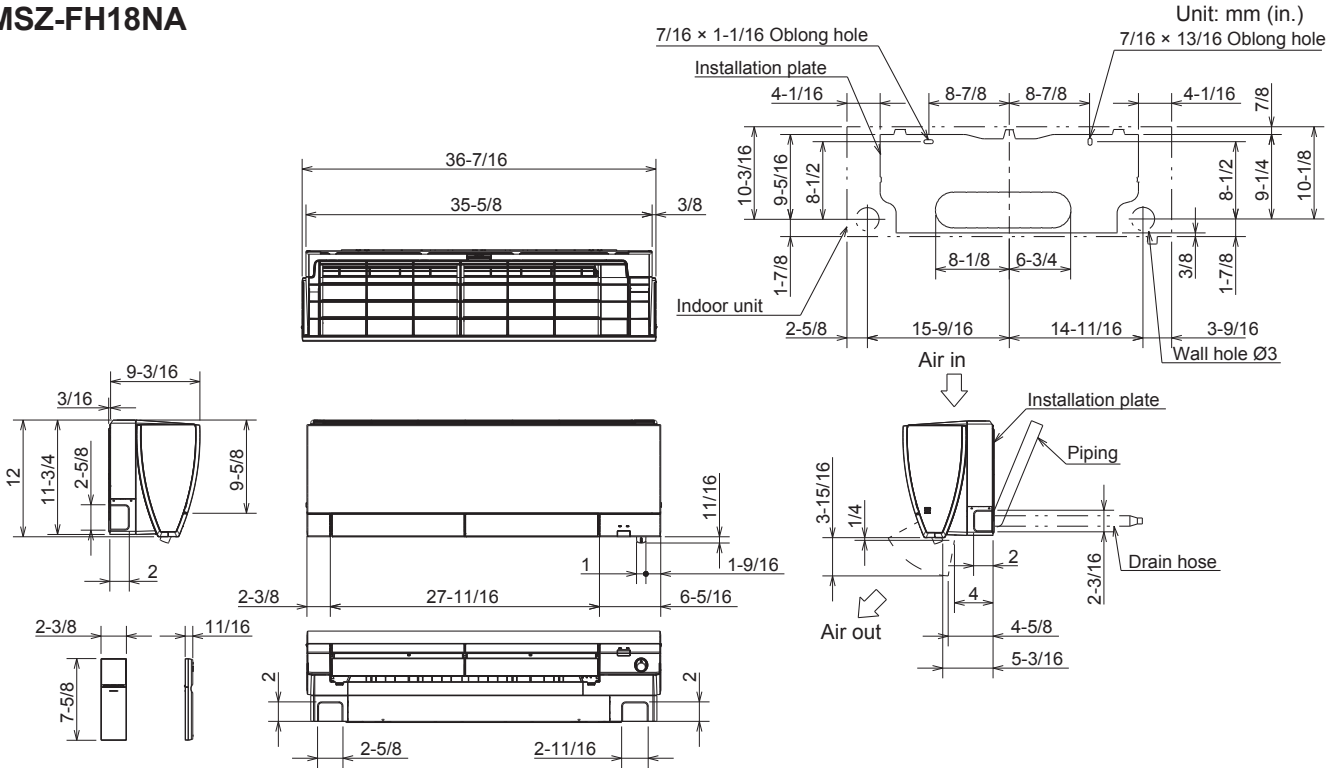
External Finish	
Indoor	Munsell 1.0Y 9.2 / 0.2
Outdoor	Munsell No. 3Y 7.8 / 1.1

Refrigerant	R410A ; 3 lb. 7 oz.
-------------	---------------------

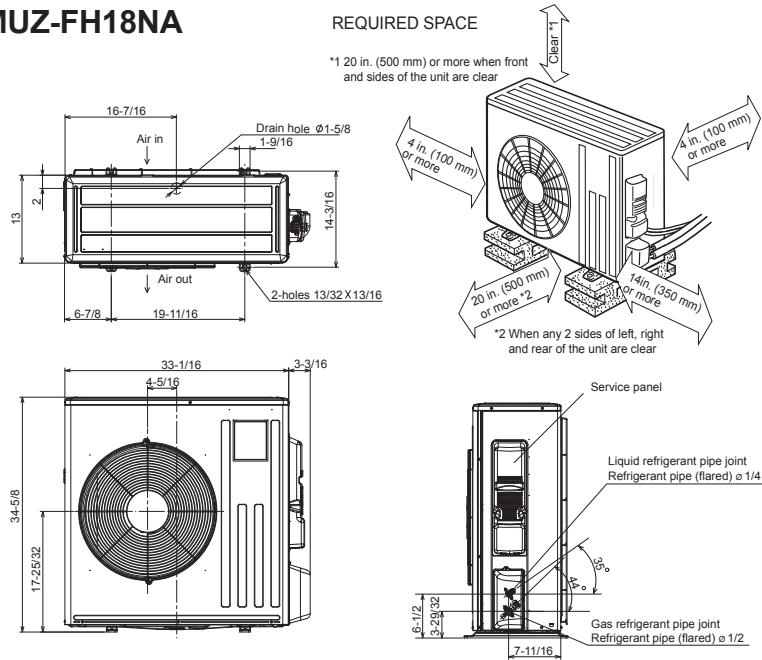
Refrigerant Piping (Flared)		
Liquid (High Pressure)	In.(mm)	1/4 (6.35)
Gas (Low Pressure)		1/2 (12.7)
Max. Total Refrigerant Pipe Length (Height Diff.)	Ft. (m)	50 (15)
Max. Total Refrigerant Pipe Length (Length.)		100 (30)

# DIMENSIONS: MSZ-FH18NA & MUZ-FH18NA

## MSZ-FH18NA



## MUZ-FH18NA



COOLING & HEATING

1340 Satellite Boulevard, Suwanee, GA 30024  
 Toll Free: 800-433-4822 www.mehvac.com

