

PRODUCT INFORMATION PACKET

marathon[®]
Motors

Model No: 326TTFCA6026
Catalog No: GT1037
50,1800,TEFC,326T,3/60/230/460
Totally Enclosed Fan Cooled (TEFC)



Regal and Marathon are trademarks of Regal Beloit Corporation or one of its affiliated companies.
©2018 Regal Beloit Corporation, All Rights Reserved. MC017097E

REGAL[®]

Nameplate Specifications

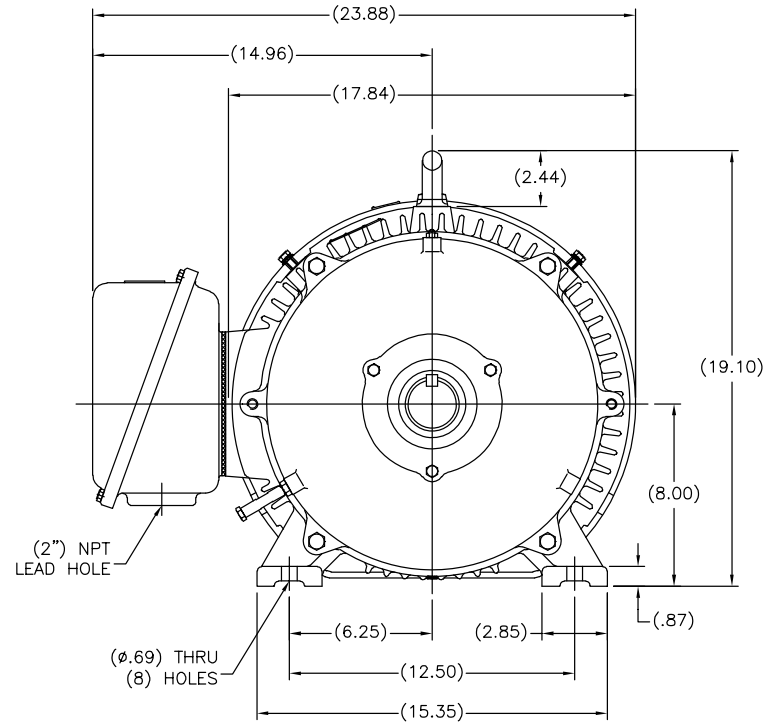
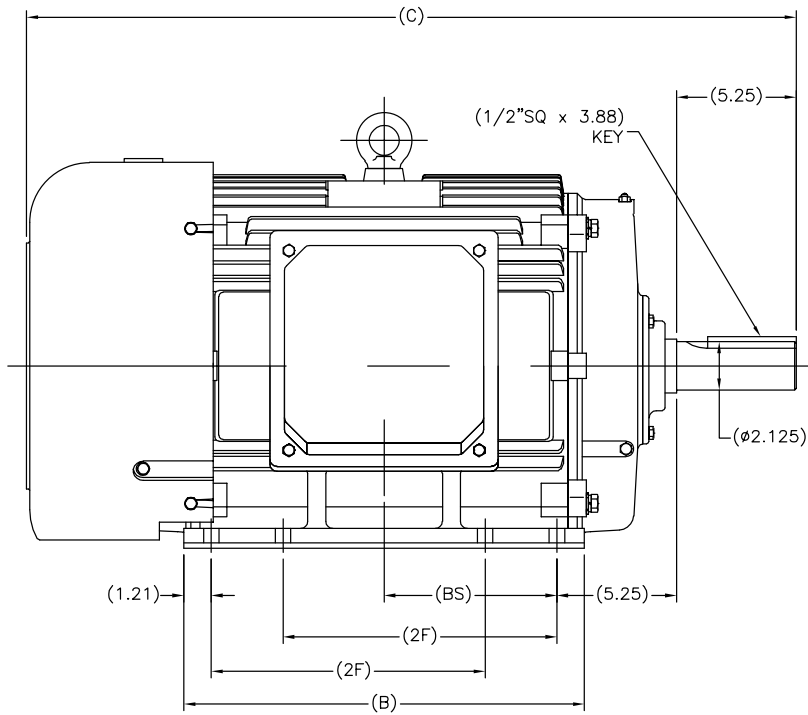
Output HP	50 Hp	Output KW	37 kW
Frequency	60 Hz	Voltage	230/460 V
Current	119/59.5 A	Speed	1780 rpm
Service Factor	1.15	Phase	3
Efficiency	94.5 %	Duty	CONTINUOUS
Insulation Class	F	Design Code	B
KVA Code	G	Frame	326T
Enclosure	TEFC	Overload Protector	NOT
Ambient Temperature	40 °C	Drive End Bearing Size	6312
Opp Drive End Bearing Size	6311	UL	Recognized
CSA	Y	CE	Y
IP Code	43		

Technical Specifications

Electrical Type	SQ CAGE INV RATED	Starting Method	Y START D RUN OR INV
Poles	4	Rotation	REV
Mounting	RIGID	Motor Orientation	HORIZONTAL
Drive End Bearing	BALL	Opp Drive End Bearing	BALL
Frame Material	CAST IRON	Shaft Type	T
Overall Length	33.86 in	Shaft Diameter	2.13 in
Shaft Extension	5.25 in	Assembly/Box Mounting	F1/F2 CAPABLE
Outline Drawing	B-SS620247	Connection Diagram	A-EE7308AA

This is an uncontrolled document once printed or downloaded and is subject to change without notice. Date Created: 09/25/2018

SS620247



(MAY NOT BE DRAWN TO SCALE)

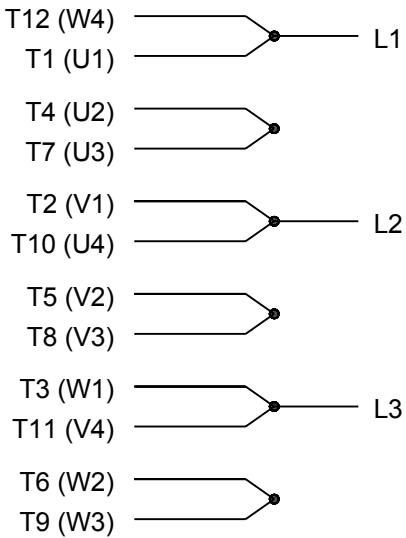
(DIMENSIONS IN TABLE ARE CONSIDERED REFERENCE)

324T	32.68	16.37	10.50	6.98
326T	33.86	17.56	12.00	7.57
FRAME	C	B	2F	BS

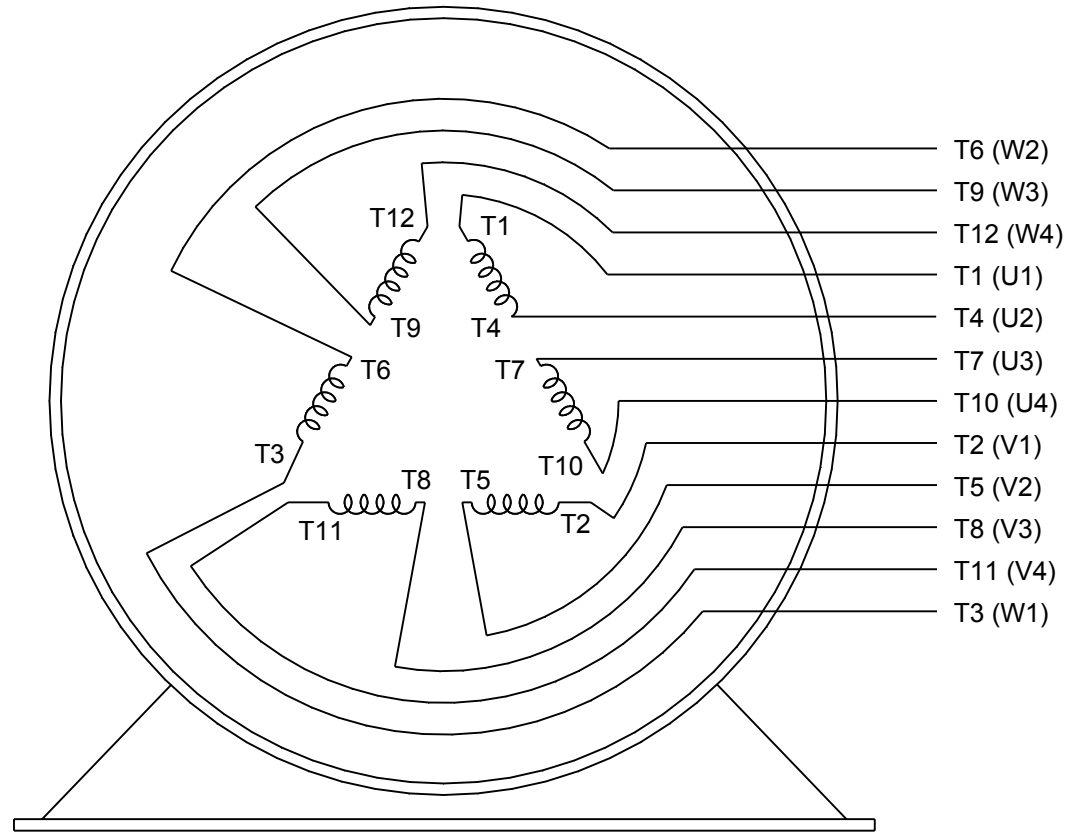
		TOLERANCES UNLESS SPECIFIED		REGAL REGAL-BELOIT CORPORATION		DRAWN MSG 01-12-2010	
		DEC. INCHES				CHK MJS 01-13-2010	
		.X ±.1		TITLE OUTLINE		APPD SB 01-13-2010	
		.XX ±.03		320T FR. - TEFC		SCALE 7-32	
		.XXX ±.005		MAT'L.		REF	
1		ADDED "BS" DIM. PER. ECO-0048910		RFH 04/07/2014		FMF HUADA	
NO.		REVISION		BY & DATE		PREV	
		CHK ANG ±.7'30"		FINISH			
		RFP 01-14-2010		CAD FILE SS620247		SIZE DRAWING NO. PAGE OF REV.	
		DIST				B SS620247 1	
THIS DRAWING IN DESIGN AND DETAIL IS OUR PROPERTY AND MUST NOT BE USED EXCEPT IN CONNECTION WITH OUR WORK ALL RIGHTS OF DESIGN AND INVENTION ARE RESERVED THIS IS AN ELECTRONICALLY GENERATED DOCUMENT - DO NOT SCALE THIS PRINT							



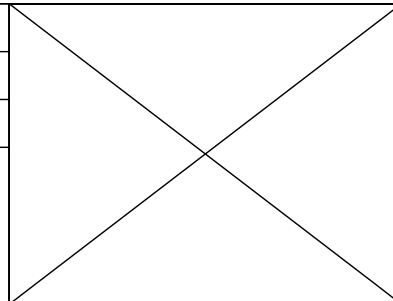
LOW VOLTAGE



HIGH VOLTAGE



DRAWING REVISION K	REVISION BY AJW	DATE 07-17-2015
ECO ECO-0081632	APPROVED BY T. VUE	DATE 07-17-2015
ECO DESCRIPTION REV'D IEC MARKINGS PER IEC 60034-8		
COPYRIGHT REGAL BELOIT AMERICA, INC. ALL RIGHTS RESERVED. PROPRIETARY AND CONFIDENTIAL INFORMATION - THIS DOCUMENT IS THE PROPERTY OF REGAL BELOIT AMERICA, INC. ("OWNER") AND CONTAINS OWNER'S PROPRIETARY INFORMATION. ANY PERSON, CORPORATION OR OTHER FIRM RECEIVING IT IS DEEMED, BY RECEIVING IT, TO AGREE THAT IT, AND/OR ANY PART OF IT, SHALL NOT BE DISCLOSED TO ANY PERSON, CORPORATION OR OTHER ENTITY, DUPLICATED, AND/OR USED, EXCEPT AS EXPRESSLY APPROVED IN WRITING IN ADVANCE BY OWNER. THIS DOCUMENT SHALL BE RETURNED TO OWNER UPON REQUEST. IT MAY BE SUBJECT TO CERTAIN RESTRICTIONS UNDER APPLICABLE EXPORT CONTROL LAWS AND REGULATIONS.		



DRAWN BY LZ	Regal Beloit America, Inc.	
DATE 01-12-1994		
APPROVED BY GK	DESCRIPTION CONN DIAGRAM-EXTERNAL 3Ø-2/1 DELTA-12 LEADS	
DATE 01-14-1994		
REFERENCE	MATERIAL	PROCESS/FINISH
THIRD ANGLE PROJECTION	SIZE A	DRAWING NUMBER EE7308AA
		SHEET 1 OF 1

CERTIFICATION DATA SHEET

Model#: 326TTFCA6026 AB **WINDING#:** CHT32640003 NONE 2
CONN. DIAGRAM: A-EE7308AA **ASSEMBLY:** F1/F2 CAPABLE
OUTLINE: B-SS620247

TYPICAL MOTOR PERFORMANCE DATA

HP	KW	SYNC. RPM	F.L. RPM	FRAME	ENCLOSURE	KVA CODE	DESIGN
50&40	37&30	1800	1780&1480	326T	TEFC	G	B

PH	Hz	VOLTS	FL AMPS	START TYPE	DUTY	INSL	S.F	AMB°C	ELEVATION
3	60/50	230/460#190/ 380	119/59.5&114/ 57	Y START D RUN OR INV	CONTINUOU S	F7	1.15/1.15	40	3300

FULL LOAD EFF: 94.5&93.6	3/4 LOAD EFF: 94.5	1/2 LOAD EFF: 94.1	GTD. EFF	ELEC. TYPE	NO LOAD AMPS
FULL LOAD PF: 83&83	3/4 LOAD PF: 80	1/2 LOAD PF: 71.5	93	SQ CAGE INV RATED	42 / 21

F.L. TORQUE	LOCKED ROTOR AMPS	L.R. TORQUE	B.D. TORQUE	F.L. RISE°C
147.5 LB-FT	712 / 356	255 LB-FT 173	395 LB-FT 265	80

SOUND PRESSURE @ 3 FT.	SOUND POWER	ROTOR WK^2	MAX. WK^2	SAFE STALL TIME	STARTS /HOUR	APPROX. MOTOR WGT
65 dBA	75 dBA	12 LB-FT^2	- LB-FT^2	20 SEC.	2	825 LBS.

***** SUPPLEMENTAL INFORMATION *****

DE BRACKET TYPE	ODE BRACKET TYPE	MOUNT TYPE	ORIENTATION	SEVERE DUTY	HAZARDOUS LOCATION	DRIP COVER	SCREENS	PAINT
STANDARD	STANDARD	RIGID	HORIZONTAL	FALSE	NONE	FALSE	NONE	BLUE (ENAMEL)

BEARINGS		GREASE	SHAFT TYPE	SPECIAL DE	SPECIAL ODE	SHAFT MATERIAL	FRAME MATERIAL
DE	OPE	POLYREX EM	T	NONE	NONE	1045 HOT ROLLED (C-204)	CAST IRON
BALL	BALL						
6312	6311						

THERMO-PROTECTORS				THERMISTORS	CONTROL	SPACE /n HEATERS
THERMOSTATS	PROTECTORS	WDG RTDs	BRG RTDs	NONE	FALSE	NONE VOLTS
NONE	NOT	NONE	NONE			

If Inverter equals NONE, contact factory for further information

INVERTER TORQUE: VARIABLE 10:1
INV. HP SPEED RANGE: NONE
ENCODER: NONE
NONE NONE
NONE NONE PPR
BRAKE: NONE NONE
NONE P/N NONE
NONE NONE
NONE FT-LB NONE V NONE Hz

*
N
O
T
E
S
*

DATE: 06/21/2017 07:02:13 AM
 FORM 3531 REV.3 02/07/99
 ** Subject to change without notice.

Data Sheet

32ETTFCA6026



Submittal
Data @ 460 V

Date: 6/29/2017

Customer:
Attention:
Submitted by:

FAREEDA DUDEKULA

Motor Load Data

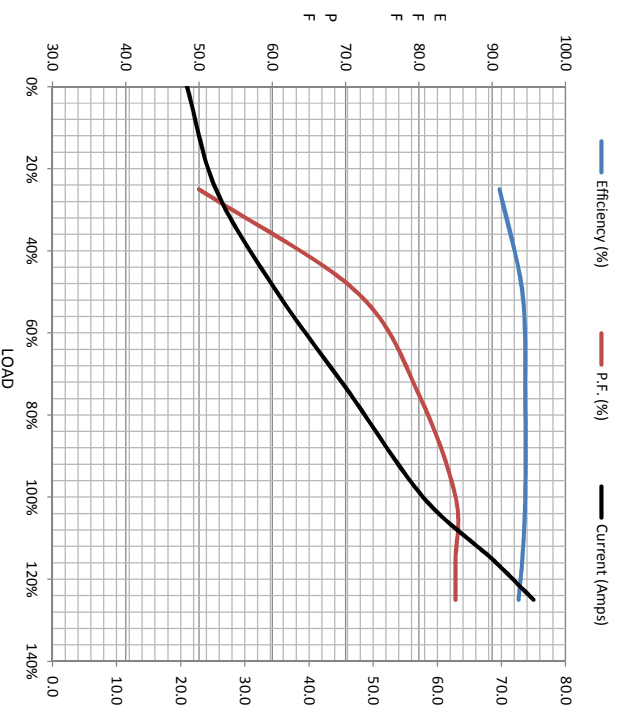
Load	0%	25%	50%	75%	100%	115%	125%	LR
Current (Amps)	21.0	25.5	36.0	46.5	57.8	68.5	75.0	366
Torque (ft-lb)	0.00	36.5	73.5	110	148	170	185	255
RPM	1800	1795	1790	1785	1780	1775	1770	0
Efficiency (%)		91.0	94.1	94.5	94.5	94.1	93.6	
P.F. (%)	4.5	50.0	71.5	80.0	85.0	85.0	85.0	34.0

Motor Speed Data

	LR	Pull-Up	BD	Rated	Idle
Speed (rpm)	0	970	1715	1780	1800
Current (Amps)	356	308	208	57.8	21.0
Torque (ft-lb)	255	210	395	148	0.00

Information Block

HP	50.0
Sync. RPM	1800
Frame	326
Enclosure	TFC
Construction	TFC
Voltage	30/460#190/381 V
Frequency	60 Hz
Design	B
LR Code letter	G
Service Factor	1.15
Temp Rise @ FL	80 °C
Duty	CONT
Ambient	40 °C
P	Elevation 1,000 feet
S	Rotor/Shaft wkt 12.0 Lb-Fe
Rel Wdg	CHT32640003 NONE
Sound Pressure @ 1M	65 dbA
VFD Rating	VARIABLE 10:1
Outline Dwg	B-SS620247
Conn. Diag	A-EET308AA
Additional Specifications:	
0	
EQUIV CKT (OHMS / PHASE)	
R1	R2
0.0770	0.0510
X1	X2
0.3980	0.6930
Xm	Xm
	15.5630



Speed - Torque Curve

