

## PRODUCT INFORMATION PACKET

**marathon®**  
Motors

Model No: 286TTFCA6026

Catalog No: GT1031

30, 1800, TEFC, 286T, 3/60/208-230/460

Totally Enclosed Fan Cooled (TEFC)



Regal and Marathon are trademarks of Regal Beloit Corporation or one of its affiliated companies.  
©2018 Regal Beloit Corporation, All Rights Reserved. MC017097E

REGAL



### Nameplate Specifications

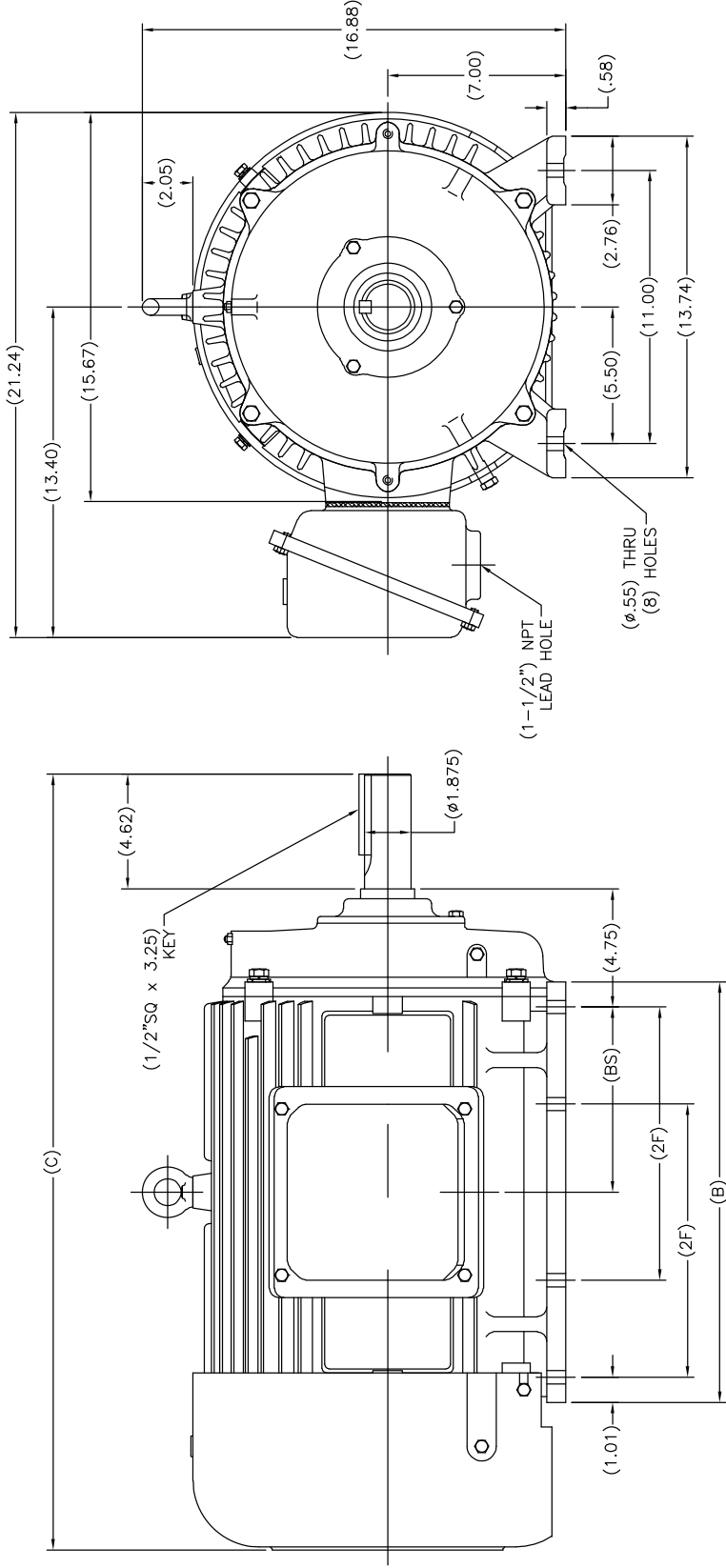
Output HP	30 Hp	Output KW	22.4 kW
Frequency	60 Hz	Voltage	230/460 V
Current	73.0/36.5 A	Speed	1780 rpm
Service Factor	1.15	Phase	3
Efficiency	94.1 %	Duty	Continuous
Insulation Class	F	Design Code	B
KVA Code	G	Frame	286T
Enclosure	Totally Enclosed Fan Cooled	Overload Protector	No
Ambient Temperature	40 °C	Drive End Bearing Size	6311
Opp Drive End Bearing Size	6210	UL	Recognized
CSA	Y	CE	Y
IP Code	43		

### Technical Specifications

Electrical Type	Squirrel Cage Inverter Rated	Starting Method	Wye Start Delta Run Or Inverter
Poles	4	Rotation	Reversible
Mounting	Rigid base	Motor Orientation	Horizontal
Drive End Bearing	Ball	Opp Drive End Bearing	Ball
Frame Material	Cast Iron	Shaft Type	T
Overall Length	31.34 in	Shaft Diameter	1.875 in
Shaft Extension	4.62 in	Assembly/Box Mounting	F1/F2 Capable
Outline Drawing	B-SS620245	Connection Diagram	A-EE7308AA

This is an uncontrolled document once printed or downloaded and is subject to change without notice. Date Created: 06/29/2018

SS620245



(MAY NOT BE DRAWN TO SCALE)

UNLESS OTHERWISE SPECIFIED		DRAWN MS0 01-12-2010	
DEC.	±.1	CHK	MUS 01-13-2010
X		APPR.	SB 01-13-2010
XX	±.03	SCALE	1=4
XXX	±.005	REF	
1. ADDED 'BS' DIM. UPDATED TITLE BLOCK ECC-0048910		REGAL - BELOIT CORPORATION	
BY & DATE		TITLE OUTLINE	
RFH	04/07/2014	2801 FR. - TEFC	
REVISION		MATERIAL	
CHK	ANG	FINISH	
RFH	01-14-2010	CAD FILE SS620245	
THIS DRAWING IN DESIGN AND DETAIL IS OUR PROPERTY AND MUST NOT BE USED EXCEPT IN CONNECTION WITH OUR WORK. ALL RIGHTS OF DESIGN AND INVENTION ARE RESERVED. THIS IS AN ELECTRONICALLY GENERATED DOCUMENT - DO NOT SCALE THIS PRINT		SIZE	DRAWING NO.
		B	SS620245
			REV.
			1

(DIMENSIONS IN TABLE ARE CONSIDERED REFERENCE)

284T	30.16	15.75	9.50	6.86
286T	31.34	16.93	11.00	7.45
FRAME	C	B	2F	BS



CERTIFICATION DATA SHEET

**Model#:** 286TTFCA6026 BB      **WINDING#:** CHT28640003 NONE 2  
**CONN. DIAGRAM:** A-EE7308AA      **ASSEMBLY:** F1/F2 CAPABLE  
**OUTLINE:** B-SS620245

TYPICAL MOTOR PERFORMANCE DATA

HP	KW	SYNC. RPM	F.L. RPM	FRAME	ENCLOSURE	KVA CODE	DESIGN
30&25	22.4&18.7	1800	1780&1475	286T	TEFC	G	B

PH	Hz	VOLTS	FL AMPS	START TYPE	DUTY	INSL	S.F	AMB°C	ELEVATION
3	60/50	230/460/490/380	73/36.5&74/37	Y START D RUN OR INV S	CONTINUOU	F7	1.15/1.15	40	3300

<b>FULL LOAD EFF:</b> 94.1&93	3/4 LOAD EFF: 93.6	1/2 LOAD EFF: 93	GTD. EFF	ELEC. TYPE	NO LOAD AMPS
<b>FULL LOAD PF:</b> 81.5&82	3/4 LOAD PF: 77	1/2 LOAD PF: 68	93	SQ CAGE INV/RATED	28.4 / 14.2

F.L. TORQUE	LOCKED ROTOR AMPS	L.R. TORQUE	B.D. TORQUE	F.L. RISE°C
88.5 LB-FT	430 / 215	170 LB-FT 192	212 LB-FT 240	60

SOUND PRESSURE @ 3 FT.	SOUND POWER	ROTOR WK*2	MAX. WK*2	SAFE STALL TIME	STARTS / HOUR	APPROX. MOTOR WGT
68 dBA	76 dBA	5.7 LB-FT*2	225 LB-FT*2	20 SEC.	2	600 LBS.

\*\*\* SUPPLEMENTAL INFORMATION \*\*\*

DE BRACKET TYPE	ODE BRACKET TYPE	MOUNT TYPE	ORIENTATION	SEVERE DUTY	HAZARDOUS LOCATION	DRIP COVER	SCREENS	PAINT
STANDARD	STANDARD	RIGID	HORIZONTAL	FALSE	NONE	FALSE	NONE	BLUE (ENAMEL)

BEARINGS	GREASE	SHAFT TYPE	SPECIAL DE	SPECIAL ODE	SHAFT MATERIAL	FRAME MATERIAL
DE OPE BALL 6311	POLYREX EM 6210	T	NONE	NONE	1045 HOT ROLLED (C-204)	CAST IRON

THERMO-PROTECTORS		THERMISTORS		CONTROL		SPACE in HEATERS	
PROTECTORS	WDG RTDs	PROTECTORS	BRG RTDs	CONTROL	SPACE in HEATERS	CONTROL	SPACE in HEATERS
NONE	NOT	NONE	NONE	FALSE	FALSE	FALSE	NONE VOLTS

If Inverter equals NONE, contact factory for further information

INVERTER TORQUE: VARIABLE 10:1
INV. HP SPEED RANGE: NONE
ENCODER: NONE
NONE NONE
NONE NONE PPR
BRAKE: NONE NONE
NONE P/N NONE
NONE NONE
NONE FT-LB NONE V
NONE HZ

\* N O T E S \*

Data Sheet

Date: 6/19/2017

Customer: \_\_\_\_\_

Attention: \_\_\_\_\_

Submitted by: FAREEDA DUDEKULA



286TTFCA6026

Submittal

Data @ 460 V

Motor Load Data

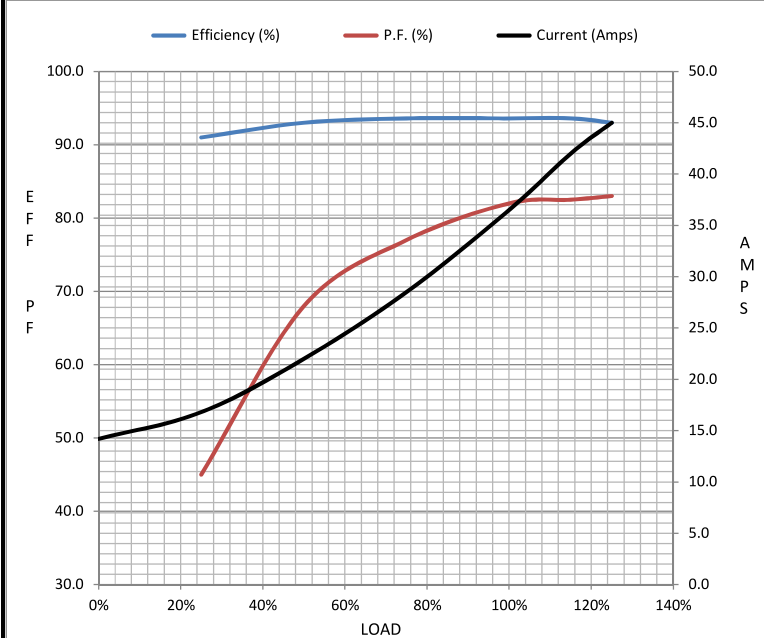
Load	0%	25%	50%	75%	100%	115%	125%	LR
Current (Amps)	14.2	16.8	22.0	28.5	36.5	42.0	45.0	215
Torque (ft-lb)	0.00	22.0	44.0	66.5	88.5	102	112	170
RPM	1800	1795	1790	1782	1775	1,772	1770	0
Efficiency (%)		91.0	93.0	93.6	93.6	93.6	93.0	
P.F. (%)	4.5	45.0	68.0	77.0	82.0	82.5	83.0	38.0

Motor Speed Data

	LR	Pull-Up	BD	Rated	Idle
Speed (RPM)	0	1100	1675	1775	1800
Current (Amps)	215	185	125	36.5	14.2
Torque (ft-lb)	170	160	212	88.5	0.00

Information Block

HP	30.0			
Sync. RPM	1800			
Frame	286			
Enclosure	TEFC			
Construction	TFC			
Voltage	30/460#190/381V			
Frequency	60 Hz			
Design	B			
LR Code letter	G			
Service Factor	1.15			
Temp Rise @ FL	60 °C			
Duty	CONT			
Ambient	40 °C			
Elevation	1,000 feet			
Rotor/Shaft wk <sup>2</sup>	5.7 Lb-Ft <sup>2</sup>			
Ref Wdg	CHT28640003 NONE			
Sound Pressure @ 1M	68 dBA			
VFD Rating	VARIABLE 10:1			
Outline Dwg	B-SS620245			
Conn. Diag	A-EE7308AA			
Additional Specifications:				
0				
0				
EQUIV CKT (OHMS / PHASE)				
R1	R2	X1	X2	Xm
0.1510	0.1040	0.5430	1.0300	18.6170



Speed - Torque Curve

