

PRODUCT INFORMATION PACKET

Model No: 284TTFC6026

Catalog No: GT1028A

25, 1800, TEFC, 284T, 3/60/230/460

Totally Enclosed Fan Cooled (TEFC)



Regal and Marathon are trademarks of Regal Beloit Corporation or one of its affiliated companies.
©2018 Regal Beloit Corporation, All Rights Reserved. MC017097E





Nameplate Specifications

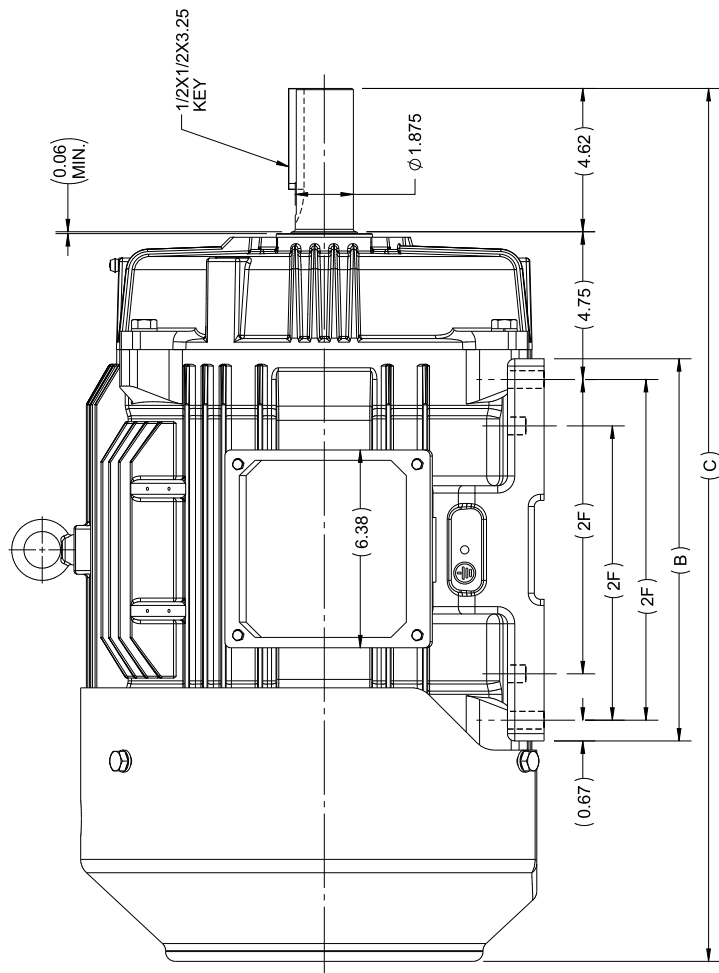
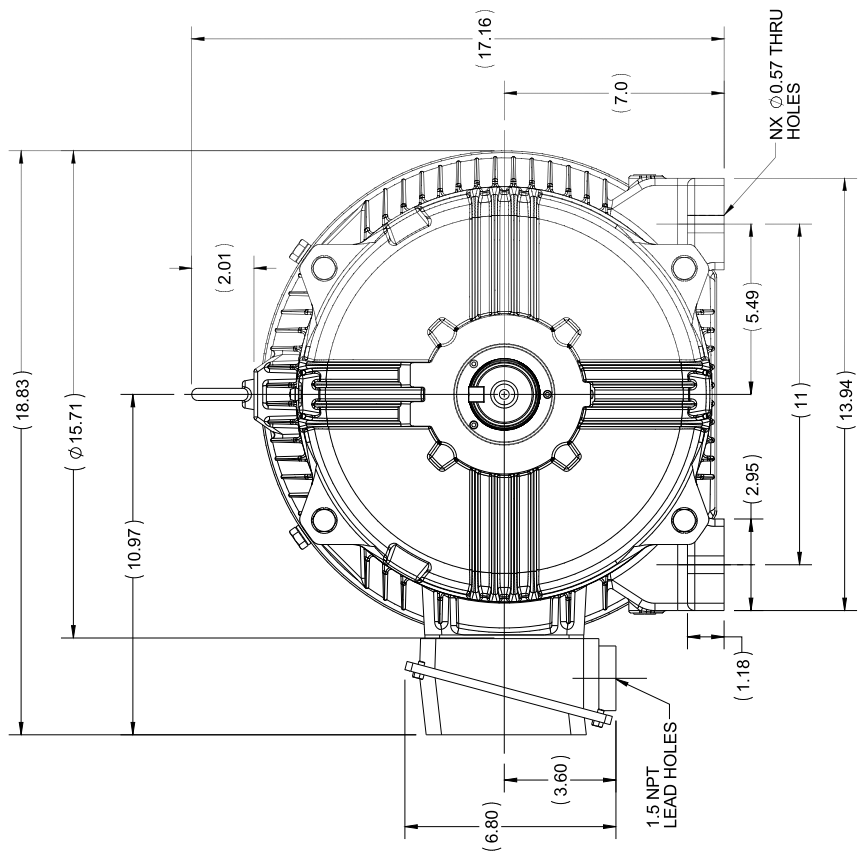
Output HP	25 Hp	Output KW	18.7 kW
Frequency	60 Hz	Voltage	230/460 V
Current	61.0/30.5 A	Speed	1775 rpm
Service Factor	1.15	Phase	3
Efficiency	93.6 %	Duty	Continuous
Insulation Class	F	Design Code	B
KVA Code	G	Frame	284T
Enclosure	Totally Enclosed Fan Cooled	Overload Protector	No
Ambient Temperature	40 °C	Drive End Bearing Size	6311
Opp Drive End Bearing Size	6211	UL	Listed
CSA	Y	CE	Y
IP Code	55		

Technical Specifications

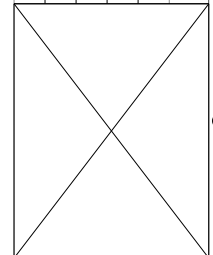
Electrical Type	Squirrel Cage Inverter Rated	Starting Method	Wye Start Delta Run Or Inverter
Poles	4	Rotation	Reversible
Mounting	Rigid base	Motor Orientation	Horizontal
Drive End Bearing	Ball	Opp Drive End Bearing	Ball
Frame Material	Cast Iron	Shaft Type	T
Overall Length	26.65 in	Shaft Diameter	1.875 in
Shaft Extension	4.62 in	Assembly/Box Mounting	F1/F2 Capable
Outline Drawing	B-SS620704	Connection Diagram	A-EE7308AA

This is an uncontrolled document once printed or downloaded and is subject to change without notice. Date Created: 06/29/2018

OUTLINE



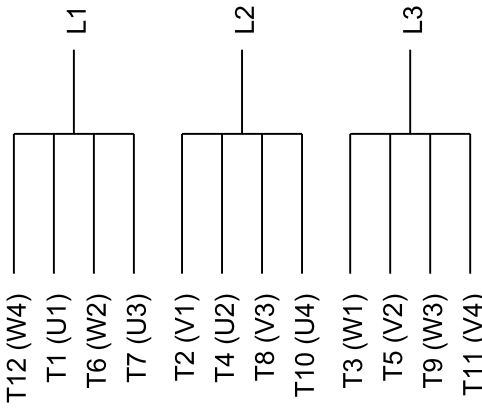
DRAWN BY		MIR
DATE		4/5/2015
APPROVED BY		RRK
DATE		4/5/2015
REFERENCE		
THIRD ANGLE PROJECTION		



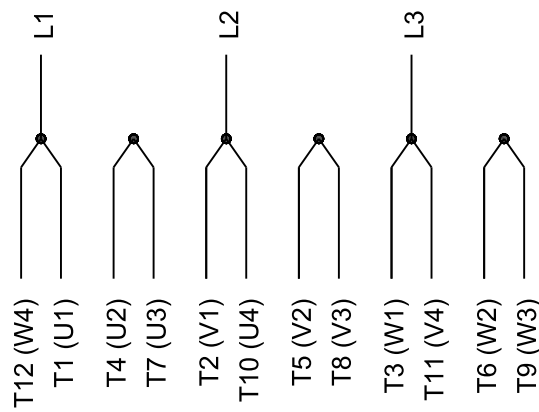
DRAWING REVISION		REVISION BY	DATE
A	ECO-0084584	UDAY SBD	08/09/2015
ECO DESCRIPTION		APPROVED SBD	08/09/2015
NEW DRAWING RELEASE			
<small>COPYRIGHT REGAL BELOIT AMERICA, INC. ALL RIGHTS RESERVED. PROPRIETARY AND CONFIDENTIAL INFORMATION - THIS DOCUMENT IS THE PROPERTY OF REGAL BELOIT AMERICA, INC. OWNERSHIP AND CONTAINS OWNERS PROPRIETARY INFORMATION. NO PART OF THIS DOCUMENT IS TO BE REPRODUCED, COPIED, OR TRANSMITTED IN ANY FORM OR BY ANY MEANS, ELECTRONIC OR MECHANICAL, INCLUDING PHOTOCOPYING, RECORDING, OR BY ANY INFORMATION STORAGE AND RETRIEVAL SYSTEM, WITHOUT THE WRITTEN PERMISSION OF REGAL BELOIT AMERICA, INC. ANY REPRODUCTION OR USE OF THIS DOCUMENT BY ANY PERSON, CORPORATION OR OTHER ENTITY, DUPLICATED, AND/OR USED, EXCEPT AS EXPRESSLY AUTHORIZED BY REGAL BELOIT AMERICA, INC. IN WRITING, SHALL BE RETURNED TO OWNER UPON REQUEST. IT MAY BE SUBJECT TO CERTAIN RESTRICTIONS UNDER APPLICABLE EXPORT CONTROL LAWS AND REGULATIONS.</small>			

286	12.32	28.14	11	8
284	10.82	26.65	9.5	4
FRAME	B	C	2F	N

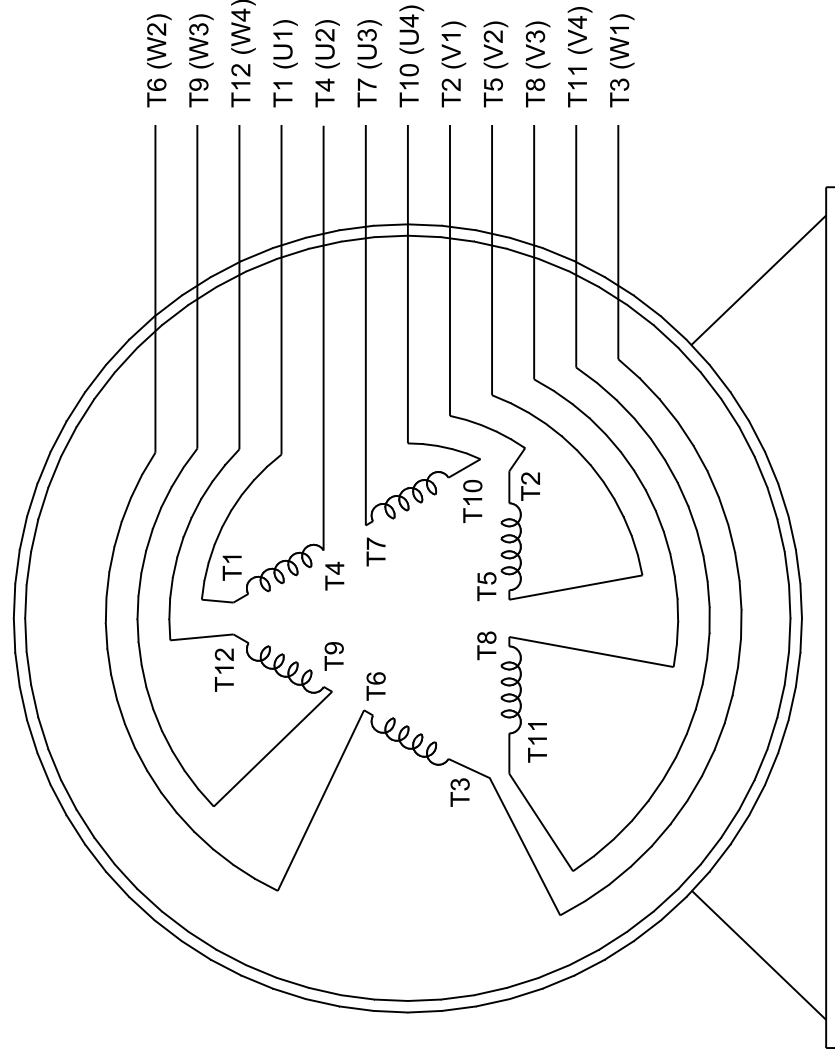
DRAWING NUMBER	SS620704
SIZE	B
SHEET	1 OF 1



LOW VOLTAGE



HIGH VOLTAGE



VIEW OF TERMINAL END

DRAWING REVISION		REVISION BY	DATE	DRAWN BY		DATE		APPROVED BY		DATE		REFERENCE		THIRD ANGLE PROJECTION		SIZE		DRAWING NUMBER		SHEET	
K		AJW	07-17-2015	LZ		01-12-1994		GK		01-14-1994				A		EE7308AA		1 OF 1			
ECO		ECO-0081632		T. VJUE		07-17-2015															
ECO DESCRIPTION		REV'D IEC MARKINGS PER IEC 60034-8		COPYRIGHT REGAL BELOIT AMERICA, INC. ALL RIGHTS RESERVED.		REGAL BELOIT AMERICA, INC. (OWNER) AND CONTAINS OWNERS PROPRIETARY INFORMATION. ANY PERSON, CORPORATION OR OTHER FIRM RECEIVING IT IS DEEMED BY RECEIVING IT TO AGREE THAT IT, AND/OR ANY PART OF IT, SHALL NOT BE DISCLOSED TO ANY PERSON, CORPORATION OR OTHER ENTITY, DUPLICATED, AND/OR USED, EXCEPT AS EXPRESSLY APPROVED IN WRITING IN ADVANCE BY OWNER. THIS DOCUMENT SHALL BE RETURNED TO OWNER UPON REQUEST. IT MAY BE SUBJECT TO CERTAIN RESTRICTIONS UNDER APPLICABLE EXPORT CONTROL LAWS AND REGULATIONS.		REGAL BELOIT AMERICA, Inc.		DESCRIPTION		CONN DIAGRAM-EXTERNAL		3Ø-2/1 DELTA-12 LEADS		MATERIAL		PROCESS/FINISH			

CERTIFICATION DATA SHEET

Model#: 284TTFCD6026 AA **WINDING#:** HE31804007 NONE 2
CONN. DIAGRAM: A-EE7308AA **ASSEMBLY:** F1/F2 CAPABLE
OUTLINE: B-SS620704

TYPICAL MOTOR PERFORMANCE DATA

HP	25&20	KW	18.7&14.9	SYNC. RPM	1800	F.L. RPM	1775&1476	FRAME	284T	ENCLOSURE	TEFC	KVA CODE	G	DESIGN	B							
PH	3	Hz	60/50	VOLTS	230/460#190/380	FL AMPS	61/30.5&60/30	START TYPE	Y	DUTY	CONTINUOUS	S.F.	1.15/1.15	AMB°C	40	ELEVATION	3300					
FULL LOAD EFF:		93.6&93		3/4 LOAD EFF: 93.6		1/2 LOAD EFF: 93		GTD. EFF		ELEC. TYPE		NO LOAD AMPS										
FULL LOAD PF:		83&81.5		3/4 LOAD PF: 77.5		1/2 LOAD PF: 86.5		93		SQ CAGE INV/RATED		27.2 / 13.6										
F.L. TORQUE		74 LB-FT		LOCKED ROTOR AMPS		364 / 182		L.R. TORQUE		144 LB-FT. 195		B.D. TORQUE		192 LB-FT. 260		F.L. RISE°C		55				
SOUND PRESSURE @ 3 FT.		75 dBA		SOUND POWER		85 dBA		ROTOR WK*2		5.2 LB-FT*2		MAX. WK*2		175 LB-FT*2		SAFE STALL TIME		20 SEC.	STARTS / HOUR	2	APPROX. MOTOR WGT	575 LBS.

*** SUPPLEMENTAL INFORMATION ***

DE BRACKET TYPE	STANDARD	ODE BRACKET TYPE	STANDARD	MOUNT TYPE	RIGID	ORIENTATION	HORIZONTAL	SEVERE DUTY	FALSE	HAZARDOUS LOCATION	NONE	DRIP COVER	FALSE	SCREENS	NONE	PAINT	BLUE (ENAMEL)
BEARINGS DE	6311	OPE	6210	GREASE	POLYREX EM	SHAFT TYPE	T	SPECIAL DE	NONE	SPECIAL ODE	NONE	SHAFT MATERIAL	1045 HOT ROLLED (C-204)	FRAME MATERIAL	CAST IRON		
THERMOSTATS	NONE	PROTECTORS	NOT	WDG RTDs	NONE	BRG RTDs	NONE	THERMISTORS	NONE	CONTROL	FALSE	SPACE in HEATERS	NONE VOLTS				

If Inverter equals NONE, contact factory for further information

INVERTER TORQUE:	VARIABLE 10:1
INV. HP SPEED RANGE:	NONE
ENCODER:	NONE
NONE:	NONE
NONE:	NONE PPR
BRAKE:	NONE NONE
NONE:	PIN NONE
NONE:	NONE
NONE FT-LB:	NONE V NONE HZ

* N O T E S *

Data Sheet

Date: 19-06-2017
 Customer: _____
 Attention: _____
 Submitted by: FAREEDA DUDEKULA

2841TFCD6026
 Submittal
 Data @ 460 V



Load	Motor Load Data						
	0%	25%	50%	75%	100%	115%	125%
Current (Amps)	13.6	15.2	19.1	24.3	30.4	34.3	37.1
Torque (ft-lb)	0.0	18.3	36.7	55.2	74.0	85.2	144
RPM	1800	1795	1788	1775	1770	1770	0
Efficiency (%)		90.2	93.0	93.6	93.4	93.0	92.4
P.F. (%)	5.0	43.5	66.5	77.5	83.0	84.5	85.0

Motor Speed Data		Information Block	
LR	BD	Rated	Idle
0	900	1630	1800
182	150	110	13.6
144	122	182	74.0
			0.00

Speed (RPM)	0	900	1630	1775	1800
Current (Amps)	182	150	110	36.4	13.6
Torque (ft-lb)	144	122	182	74.0	0.00
Frame	284				
Enclosure	TEFC				
Construction	TFC				
Voltage	230/460#190/384V				
Frequency	60 Hz				
Design	B				
LR Code letter	G				
Service Factor	1-15				
Temp Rise @ FL	55 ° C				
Duty	CONT				
Ambient	40 ° C				
Elevation	1,000 feet				
Motor/Shaft wt?	S.2 LB-FF				
Ref Wdg	HE31804007 NONE				
Sound Pressure @ 1M	75 dBA				
VFD Rating	VARIABLE 10:1				
Outline Dwg	B-SS620704				
Conn. Diag	A-EE7306AA				
Additional Specifications:	0				
	365TFHS8036				
	EQUIV CKT (OHMS / PHASE)				
R1	R2	X1	X2	Xn	Xm
0.2000	0.1250	0.7420	0.9720	19.4360	

