

PRODUCT INFORMATION PACKET

marathon[®]
Motors

Model No: 254TTFCD6026
Catalog No: GT1022A
15,1800,TEFC,254T,3/60/230/460
Totally Enclosed Fan Cooled (TEFC)



Regal and Marathon are trademarks of Regal Beloit Corporation or one of its affiliated companies.
©2018 Regal Beloit Corporation, All Rights Reserved. MC017097E

REGAL[®]



Nameplate Specifications

| | | | |
|----------------------------|------------------------------------|------------------------|-------------------|
| Output HP | 15 Hp | Output KW | 11.2 kW |
| Frequency | 60 Hz | Voltage | 230/460 V |
| Current | 37.5/18.8 A | Speed | 1772 rpm |
| Service Factor | 1.15 | Phase | 3 |
| Efficiency | 92.4 % | Duty | Continuous |
| Insulation Class | F | Design Code | B |
| KVA Code | G | Frame | 254T |
| Enclosure | Totally Enclosed Fan Cooled | Overload Protector | No |
| Ambient Temperature | 40 °C | Drive End Bearing Size | 6309 |
| Opp Drive End Bearing Size | 6209 | UL | Listed |
| CSA | Y | CE | Y |
| IP Code | 55 | | |

Technical Specifications

| | | | |
|-------------------|-------------------------------------|-----------------------|-------------------------|
| Electrical Type | Squirrel Cage Inverter Rated | Starting Method | Line Or Inverter |
| Poles | 4 | Rotation | Reversible |
| Mounting | Rigid base | Motor Orientation | Horizontal |
| Drive End Bearing | Ball | Opp Drive End Bearing | Ball |
| Frame Material | Cast Iron | Shaft Type | T |
| Overall Length | 24.15 in | Shaft Diameter | 1.625 in |
| Shaft Extension | 4 in | Assembly/Box Mounting | F1/F2 Capable |
| Outline Drawing | B-SS620703 | Connection Diagram | A-EE7308K |

This is an uncontrolled document once printed or downloaded and is subject to change without notice. Date Created: 06/29/2018

4

3

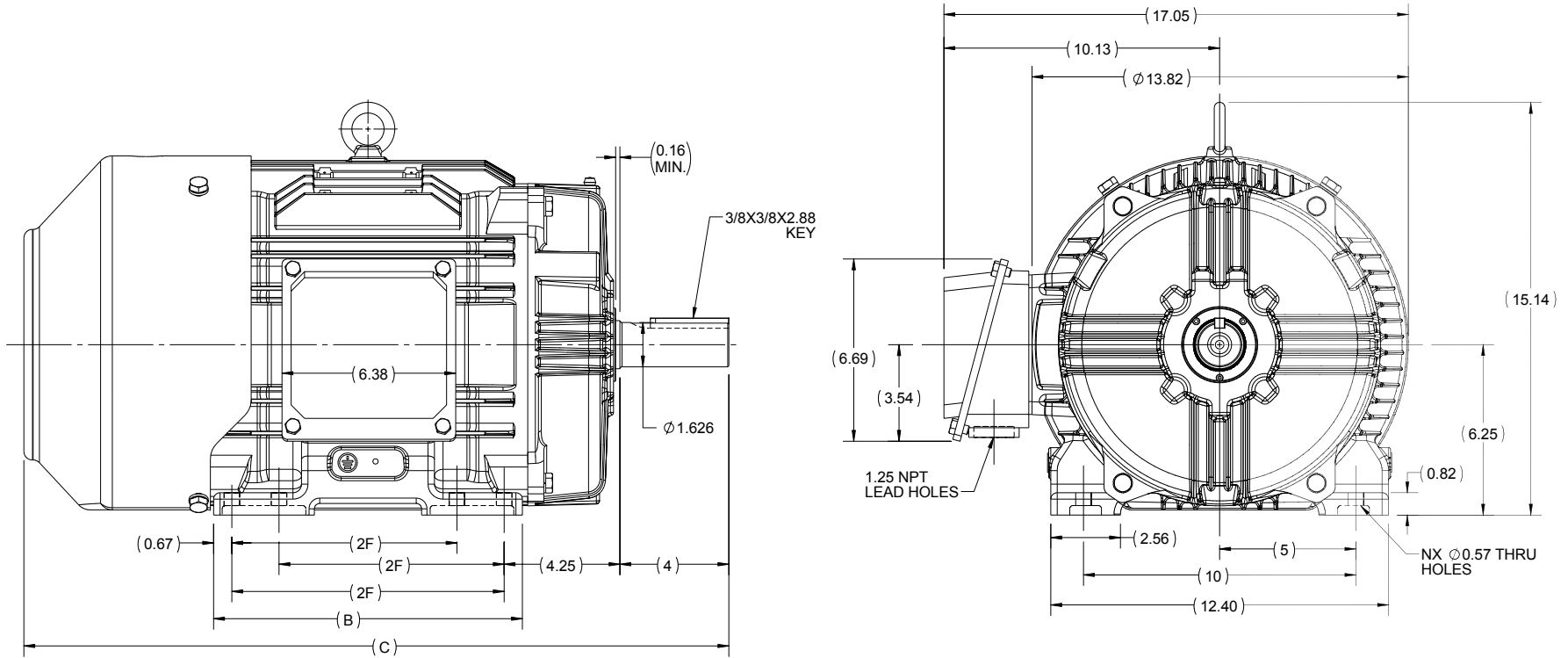
2

1

OUTLINE

B

B



A

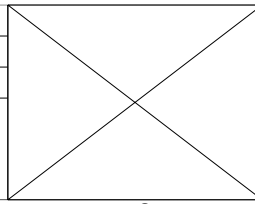
A

| | | | | |
|-------|-------|-------|------|---|
| 256T | 11.34 | 25.89 | 10 | 8 |
| 254T | 9.60 | 24.15 | 8.25 | 4 |
| FRAME | B | C | 2F | N |

4


| | | |
|---|---------------------|--------------------|
| DRAWING REVISION A | REVISION BY UDAY | DATE 08/09/2015 |
| ECO SBD | APPROVED BY SBD | DATE 08/09/2015 |
| ECO DESCRIPTION NEW DRAWING RELEASE | | |
| <small>COPYRIGHT REGAL BELOIT AMERICA, INC. ALL RIGHTS RESERVED. PROPRIETARY AND CONFIDENTIAL INFORMATION - THIS DOCUMENT IS THE PROPERTY OF REGAL BELOIT AMERICA, INC. ("OWNER") AND CONTAINS OWNER'S PROPRIETARY INFORMATION. ANY PERSON, CORPORATION OR OTHER FIRM RECEIVING IT IS DEEMED, BY RECEIVING IT, TO AGREE THAT IT, AND/OR ANY PART OF IT, SHALL NOT BE DISCLOSED TO ANY PERSON, CORPORATION OR OTHER ENTITY, DUPLICATED, AND/OR USED, EXCEPT AS EXPRESSLY APPROVED IN WRITING IN ADVANCE BY OWNER. THIS DOCUMENT SHALL BE RETURNED TO OWNER UPON REQUEST. IT MAY BE SUBJECT TO CERTAIN RESTRICTIONS UNDER APPLICABLE EXPORT CONTROL LAWS AND REGULATIONS.</small> | | |

3



2

| |
|---------------------------|
| DRAWN BY MR |
| DATE 4/5/2015 |
| APPROVED BY KRK |
| DATE 4/5/2015 |
| REFERENCE |
| THIRD ANGLE PROJECTION |

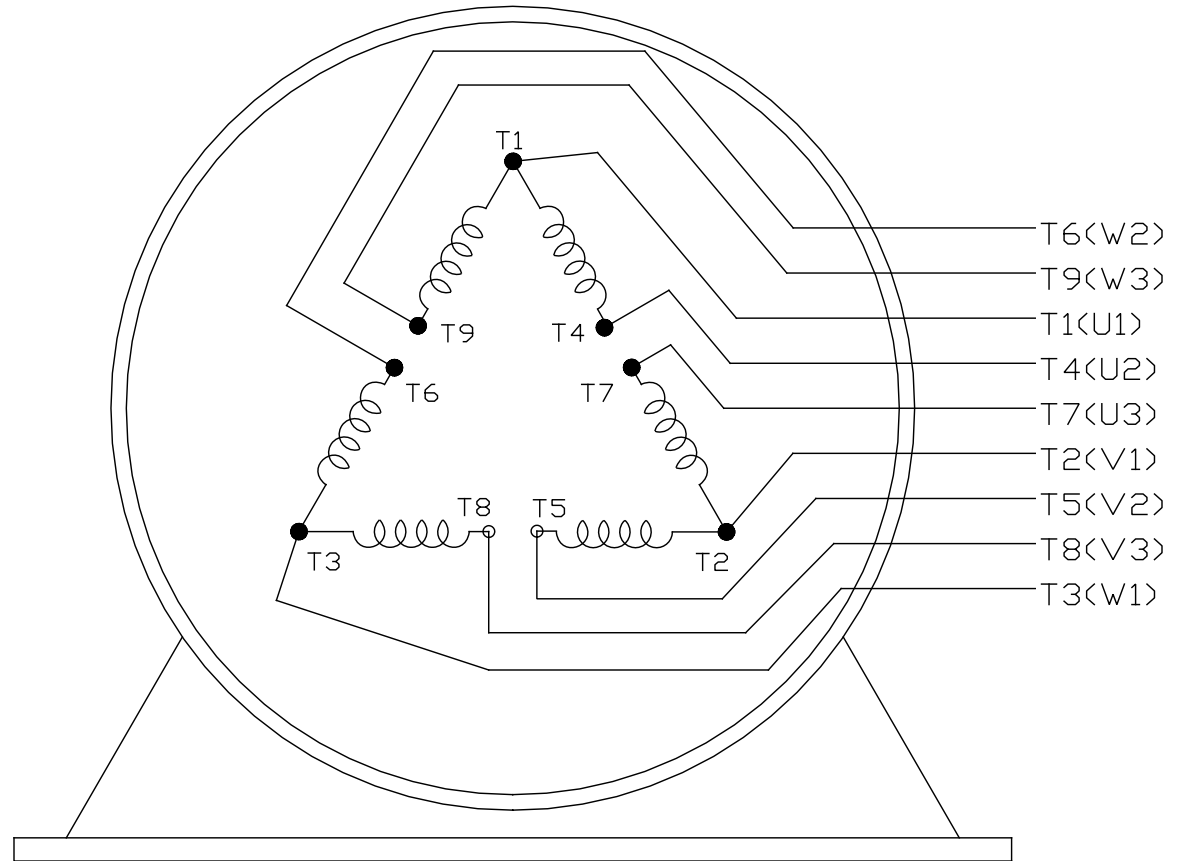
| | |
|---|----------------------------|
|  REGAL-BELOIT CORPORATION | |
| DESCRIPTION OUTLINE 254/256T FR-TEFC-CAST IRON | |
| MATERIAL | PROCESS/FINISH |
| SIZE B | DRAWING NUMBER SS620703 |
| | SHEET 1 OF 1 |

1

LOW VOLTAGE



HIGH VOLTAGE



VIEW OF TERMINAL END

| | | | | TOLERANCES UNLESS SPECIFIED | |  REGAL - BELOIT CORPORATION | DRAWN PGK 06-04-1997 | | | |
|--|--------------------------------|-------------|-----|-----------------------------|------------------|--|----------------------|--------------------------|---------------------|------|
| NO. | REVISION | BY & DATE | CHK | ANG | ± | | INCHES | CHK | ML 06-05-1997 | |
| E | CORRECTED IEC MARKINGS | ECO-0111208 | WGJ | 01-23-2017 | EMH | DEC. | ±.1 | APPD | GK 06-15-1997 | |
| D | RE-DRAWN WITH REGAL LOGO | ECO-0110493 | WGJ | 09-30-2016 | EMH | .XX | ±.02 | TITLE CONNECTION DIAGRAM | | |
| 8 | ADDED IEC DESIGNATIONS | MU95020 | TJW | 4/30/2010 | MJS | .XXX | ±.005 | SCALE | | |
| 7 | REVISED HIGH VOLTAGE L2 WAS L3 | CN52600-354 | MRB | 09-21-1998 | | .XXXX | ±.0005 | REF | | |
| 6 | REDRAWN ON CADD | | PGK | 06-05-1997 | | | | FMF | | |
| | | | | | | | | PREV | | |
| THIS DRAWING IN DESIGN AND DETAIL IS OUR PROPERTY AND MUST NOT BE USED EXCEPT IN CONNECTION WITH OUR WORK ALL RIGHTS OF DESIGN AND INVENTION ARE RESERVED THIS IS AN ELECTRONICALLY GENERATED DOCUMENT - DO NOT SCALE THIS PRINT | | | | RFP | CAD FILE EE7308K | | | SIZE | DRAWING NO. PAGE OF | REV. |
| | | | | DIST | | | | A | EE7308K | E |

