

PRODUCT INFORMATION PACKET

marathon[®]
Motors

Model No: 215TTFC6026

Catalog No: GT1019A

10, 1800, TEFC, 215T, 3/60/230/460

Totally Enclosed Fan Cooled (TEFC)



Regal and Marathon are trademarks of Regal Beloit Corporation or one of its affiliated companies.
©2018 Regal Beloit Corporation, All Rights Reserved. MC017097E

REGAL



Nameplate Specifications

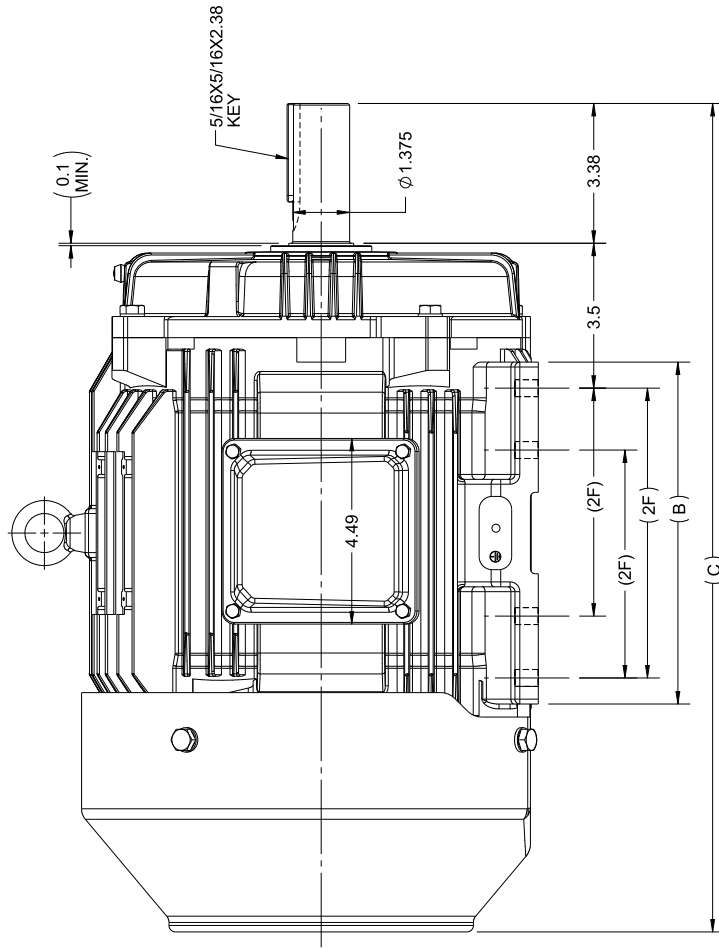
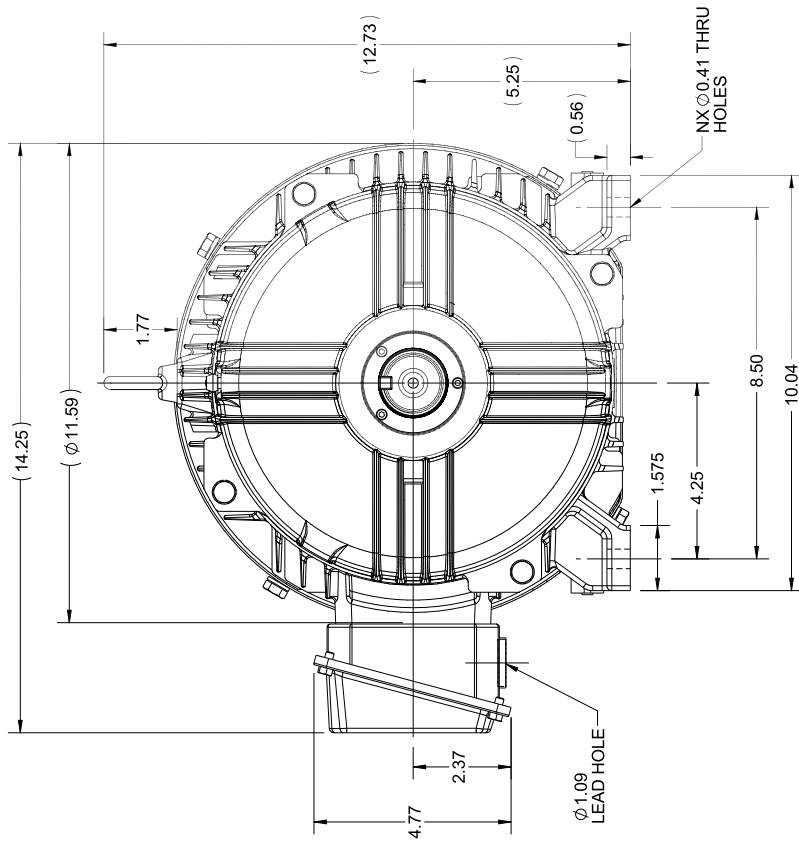
Output HP	10 Hp	Output KW	7.5 kW
Frequency	60 Hz	Voltage	230/460 V
Current	25.0/12.5 A	Speed	1762 rpm
Service Factor	1.15	Phase	3
Efficiency	92.1 %	Duty	Continuous
Insulation Class	F	Design Code	B
KVA Code	H	Frame	215T
Enclosure	Totally Enclosed Fan Cooled	Overload Protector	No
Ambient Temperature	40 °C	Drive End Bearing Size	6308
Opp Drive End Bearing Size	6208	UL	Listed
CSA	Y	CE	Y
IP Code	55		

Technical Specifications

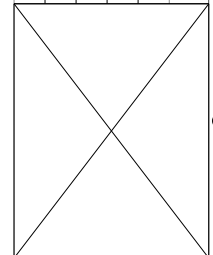
Electrical Type	Squirrel Cage Inverter Rated	Starting Method	Line Or Inverter
Poles	4	Rotation	Reversible
Mounting	Rigid base	Motor Orientation	Horizontal
Drive End Bearing	Ball	Opp Drive End Bearing	Ball
Frame Material	Cast Iron	Shaft Type	T
Overall Length	20.3 in	Shaft Diameter	1.375 in
Shaft Extension	3.38 in	Assembly/Box Mounting	F1/F2 Capable
Outline Drawing	B-SS620702-215	Connection Diagram	A-EE7308

This is an uncontrolled document once printed or downloaded and is subject to change without notice. Date Created: 07/02/2018

OUTLINE



DRAWN BY JOY		DATE 04/05/2015	
APPROVED SBD		DATE 04/05/2015	
REFERENCE		MATERIAL	
THIRD ANGLE PROJECTION		SIZE DRAWING NUMBER	



DRAWING REVISION	REVISION BY	DATE
B	UDAY	14/10/2015
ECO-0087054	APPROVED SBD	14/10/2015
ECO DESCRIPTION		
UPDATED DRAWING		
<small>COPYRIGHT REGAL-BELOIT AMERICA, INC. ALL RIGHTS RESERVED. PROPRIETARY AND CONFIDENTIAL INFORMATION. THIS DOCUMENT IS THE PROPERTY OF REGAL-BELOIT AMERICA, INC. OWNERSHIP AND CONTAINS OWNERS PROPRIETARY INFORMATION. NO PART OF THIS DOCUMENT IS TO BE REPRODUCED, COPIED, OR BY RECEIVING IT, TO AGREE THAT IT, AND/OR ANY PART OF IT, SHALL NOT BE DISCLOSED TO ANY PERSON, CORPORATION OR OTHER ENTITY, DUPLICATED, AND/OR USED, EXCEPT AS EXPRESSLY AUTHORIZED BY REGAL-BELOIT AMERICA, INC. THIS DOCUMENT SHALL BE RETURNED TO OWNER UPON REQUEST. IT MAY BE SUBJECT TO CERTAIN RESTRICTIONS UNDER APPLICABLE EXPORT CONTROL LAWS AND REGULATIONS.</small>		

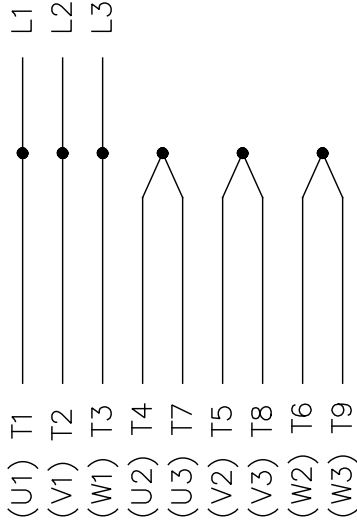
213T	6.76	18.53	5.5	4
215T	8.26	20.03	7.0	8
FRAME	B	C	2F	N

DESCRIPTION: OUTLINE
 213/215T FR TEFC- CAST IRON
 PROCESS/FINISH: PROCESS/FINISH
 SHEET: 1 OF 1

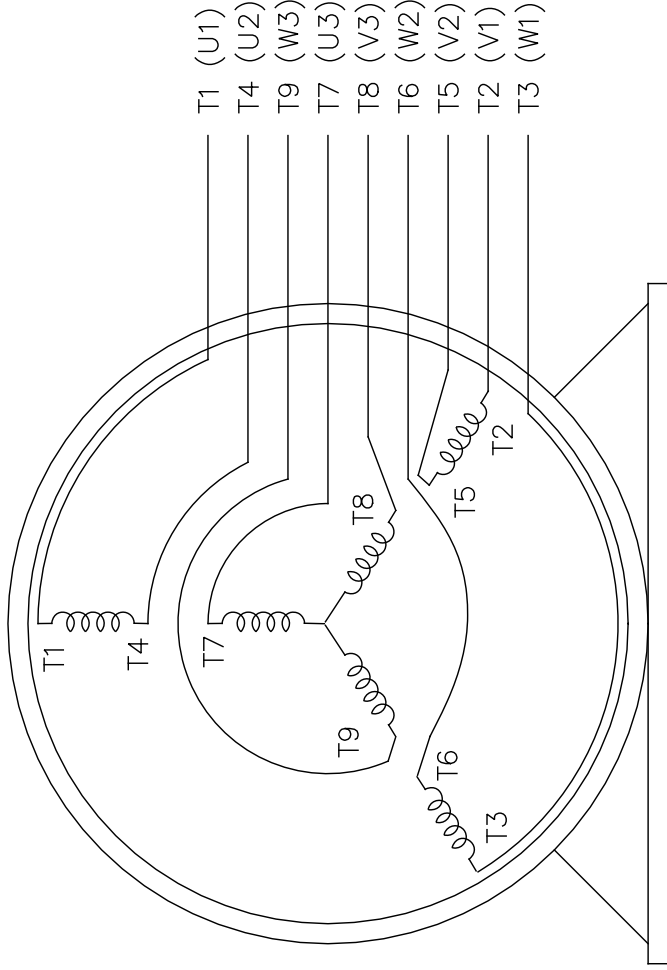
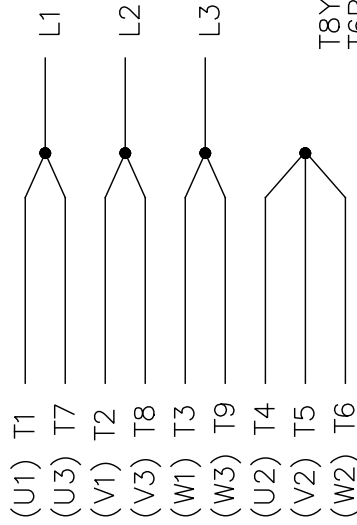
THREE PHASE
DUAL VOLTAGE MOTOR

EE7308

HIGH VOLTAGE



LOW VOLTAGE



VIEW OF TERMINAL END

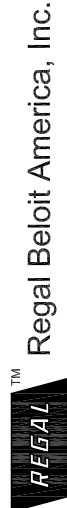
OPTIONAL CORD
CONNECTION

- L1 — WHITE
- L2 — RED
- L3 — BLACK

REF.
WINDING DIAGRAM

T8Y, T2Y, T2BL, T4BX, T2EC, T2G
T6BZ, T2B, T6BL, T4AV, T6B, T4B

5		CHG TO REGAL LOGO	SL	09/10/2015	AB	TOLERANCES UNLESS SPECIFIED		DRAWN RM 11/20/1990	
4		REVISED IEC NOTATIONS	MSG	11/15/2011	CMN.X	INCHES		CHK	ML 11/21/1990
3		ADDED IEC NOTATIONS... (U1), (V1) ETC.	MSG	5/10/2010	MJS.XX	±.1		APPD	SAS 04/24/2003
2		ADDED THE OPTIONAL CORD CONNECTION	RDH	04/24/2003	DRS.XXX	±.02		SCALE	1=1
1		REDRAWN	RM	11/20/1990	.XXXX	±.0005		REF	
NO.		REVISION	BY & DATE		CHK	ANG		FMF	
		THIS DRAWING IN DESIGN AND DETAIL IS OUR PROPERTY AND MUST NOT BE USED EXCEPT IN CONNECTION WITH OUR WORK ALL RIGHTS OF DESIGN AND INVENTION ARE RESERVED THIS IS AN ELECTRONICALLY GENERATED DOCUMENT - DO NOT SCALE THIS PRINT		RFP	DIST		WP	PREV	
				CAD FILE		ee7308		SIZE	DRAWING NO. PAGE OF
				A		EE7308		REV.	5



TITLE CONNECTION DIAGRAM
3φ - DUAL VOLTAGE MOTOR

CERTIFICATION DATA SHEET

Model#: 215TTFCD6026 AA **WINDING#:** HE31324013 NONE 2
CONN. DIAGRAM: A-EE7308 **ASSEMBLY:** F1/F2 CAPABLE
OUTLINE: B-SS620702

TYPICAL MOTOR PERFORMANCE DATA

HP 10&7 1/2	KW 7.5&5.6	SYNC. RPM 1800	F.L. RPM 1762&1465	FRAME 215T	ENCLOSURE TEFC	KVA CODE H	DESIGN B	
PH 3	HZ 60/50	VOLTS 230/460/490/ 380	START TYPE 25/12.5&23.2/ 11.6	DUTY CONTINUOUS	INSL F7	S.F 1.15/1.15	AMB°C 40	ELEVATION 3300
FULL LOAD EFF: 91.7&91		3/4 LOAD EFF: 91.6		1/2 LOAD EFF: 90.8	GTD. EFF	ELEC. TYPE	NO LOAD AMPS	
FULL LOAD PF: 81.5&81		3/4 LOAD PF: 76.6		1/2 LOAD PF: 66	91	SQ CAGE INV/RATED	11.2 / 5.6	
F.L. TORQUE 29.8 LB-FT		LOCKED ROTOR AMPS 158 / 79		L.R. TORQUE 59 LB-FT 198	B.D. TORQUE 74 LB-FT 248	F.L. RISE°C 70		
SOUND PRESSURE @ 3 FT.		SOUND POWER 72 dBA	ROTOR WK*2 1.1 LB-FT*2	MAX. WK*2 85 LB-FT*2	SAFE STALL TIME 25 SEC.	STARTS /HOUR	APPROX. MOTOR WGT	210 LBS.

*** SUPPLEMENTAL INFORMATION ***

DE BRACKET TYPE	ODE BRACKET TYPE	MOUNT TYPE	ORIENTATION	SEVERE DUTY	HAZARDOUS LOCATION	DRIP COVER	SCREENS	PAINT
STANDARD	STANDARD	RIGID	HORIZONTAL	FALSE	NONE	FALSE	NONE	BLUE (ENAMEL)
BEARINGS		GREASE	SHAFT TYPE	SPECIAL DE	SPECIAL ODE	SHAFT MATERIAL	FRAME MATERIAL	
DE	OPE					1045 HOT ROLLED (C-204)	CAST IRON	
BALL 6307	BALL 6206	POLYREX EM	T	NONE	NONE			
THERMO-PROTECTORS				WDG RTDs	BRG RTDs	SPACE in HEATERS		
THERMOSTATS	PROTECTORS	NOT	NONE	NONE	NONE	FALSE	FALSE	NONE VOLTS

If Inverter equals NONE, contact factory for further information

INVERTER TORQUE: VARIABLE 10:1
INV. HP SPEED RANGE: NONE
ENCODER: NONE
NONE NONE
NONE NONE PPR
BRAKE: NONE NONE
NONE P/N NONE
NONE NONE
NONE FT-LB NONE V
NONE HZ

* N
O
T
E
S *