

PRODUCT INFORMATION PACKET

marathon[®]
Motors

Model No: 213TTFC6026

Catalog No: GT1016A

7 1/2, 1800, TEFC, 213T, 3/60/230/460

Totally Enclosed Fan Cooled (TEFC)



Regal and Marathon are trademarks of Regal Beloit Corporation or one of its affiliated companies.
©2018 Regal Beloit Corporation, All Rights Reserved. MC017097E

REGAL



Nameplate Specifications

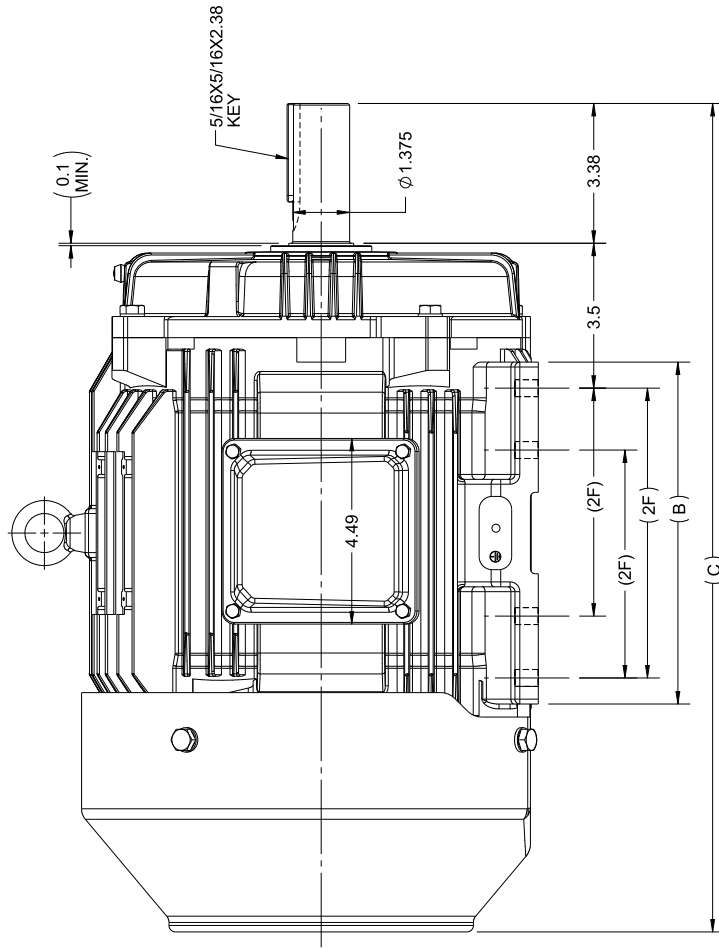
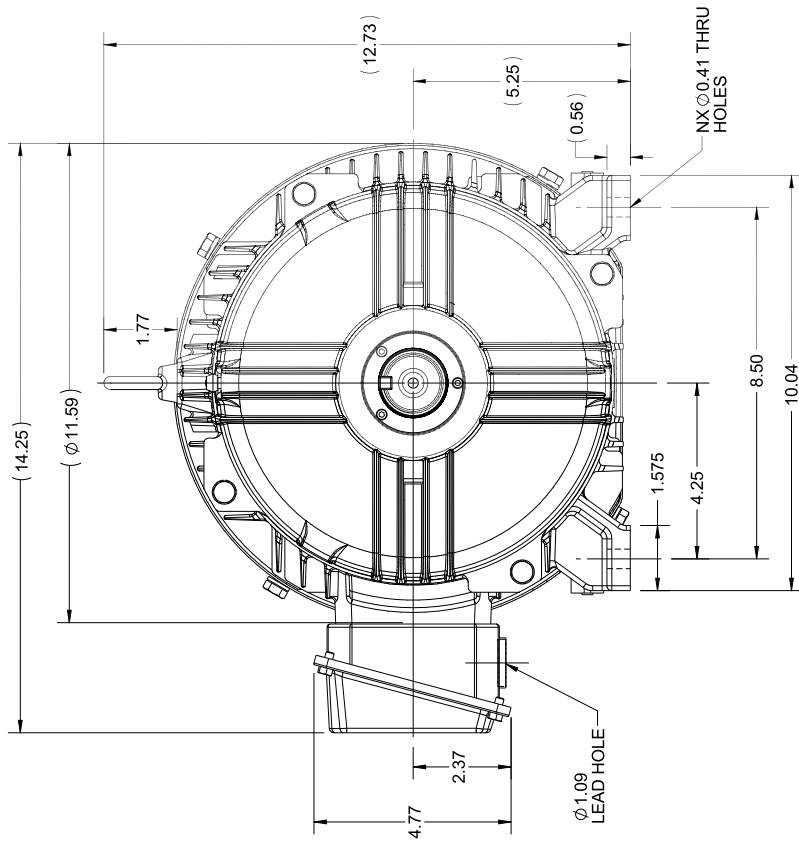
Output HP	7.50 Hp	Output KW	5.6 kW
Frequency	60 Hz	Voltage	230/460 V
Current	19.0/9.5 A	Speed	1768 rpm
Service Factor	1.15	Phase	3
Efficiency	93.3 %	Duty	Continuous
Insulation Class	F	Design Code	B
KVA Code	H	Frame	213T
Enclosure	Totally Enclosed Fan Cooled	Overload Protector	No
Ambient Temperature	40 °C	Drive End Bearing Size	6308
Opp Drive End Bearing Size	6208	UL	Listed
CSA	Y	CE	Y
IP Code	55		

Technical Specifications

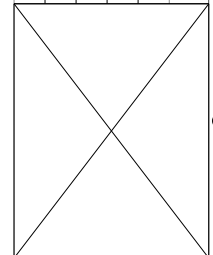
Electrical Type	Squirrel Cage Inverter Rated	Starting Method	Line Or Inverter
Poles	4	Rotation	Reversible
Mounting	Rigid base	Motor Orientation	Horizontal
Drive End Bearing	Ball	Opp Drive End Bearing	Ball
Frame Material	Cast Iron	Shaft Type	T
Overall Length	18.53 in	Shaft Diameter	1.375 in
Shaft Extension	3.38 in	Assembly/Box Mounting	F1/F2 Capable
Outline Drawing	B-SS620702-213	Connection Diagram	A-EE7308

This is an uncontrolled document once printed or downloaded and is subject to change without notice. Date Created: 06/29/2018

OUTLINE



DRAWN BY JOY		DATE 04/05/2015	
APPROVED SBD		DATE 04/05/2015	
REFERENCE		MATERIAL	
THIRD ANGLE PROJECTION		SIZE DRAWING NUMBER	



DRAWING REVISION	REVISION BY	DATE
B	UDAY	14/10/2015
ECO-0087054	APPROVED SBD	14/10/2015
ECO DESCRIPTION		
UPDATED DRAWING		
<small>COPYRIGHT REGAL-BELOIT AMERICA, INC. ALL RIGHTS RESERVED. PROPRIETARY AND CONFIDENTIAL INFORMATION. THIS DOCUMENT IS THE PROPERTY OF REGAL-BELOIT AMERICA, INC. OWNERSHIP AND CONTAINS OWNERS PROPRIETARY INFORMATION. NO PART OF THIS DOCUMENT IS TO BE REPRODUCED, COPIED, OR BY RECEIVING IT, TO AGREE THAT IT, AND/OR ANY PART OF IT, SHALL NOT BE DISCLOSED TO ANY PERSON, CORPORATION OR OTHER ENTITY, DUPLICATED, AND/OR USED, EXCEPT AS EXPRESSLY AUTHORIZED BY REGAL-BELOIT AMERICA, INC. THIS DOCUMENT SHALL BE RETURNED TO OWNER UPON REQUEST. IT MAY BE SUBJECT TO CERTAIN RESTRICTIONS UNDER APPLICABLE EXPORT CONTROL LAWS AND REGULATIONS.</small>		

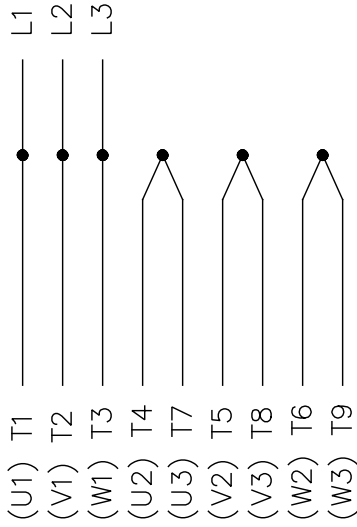
213T	6.76	18.53	5.5	4
215T	8.26	20.03	7.0	8
FRAME	B	C	2F	N

DESCRIPTION: OUTLINE
 213/215T FR TEFC- CAST IRON
 PROCESS/FINISH: PROCESS/FINISH
 SHEET: 1 OF 1

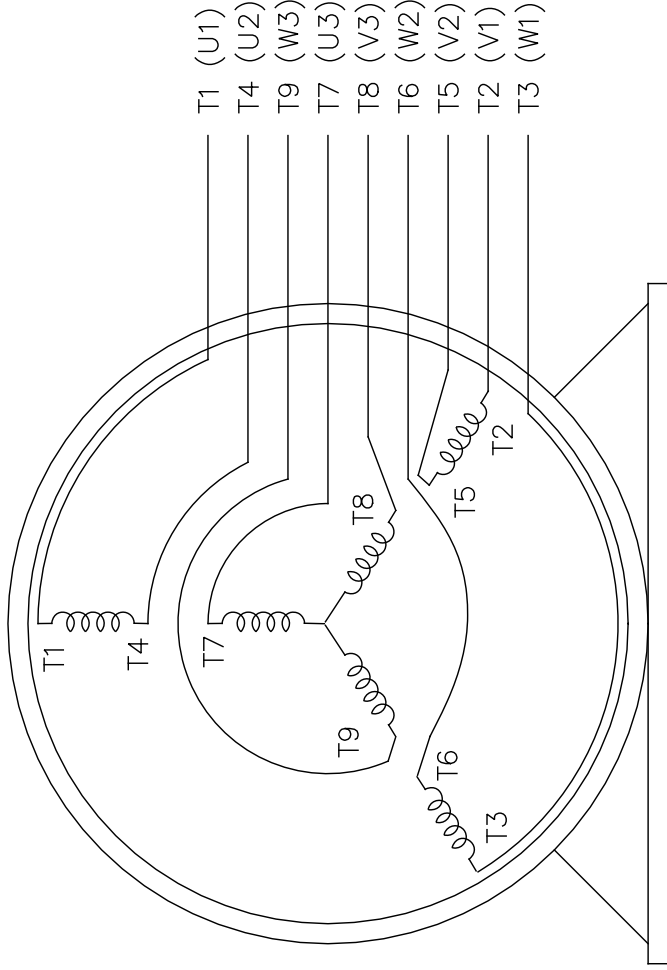
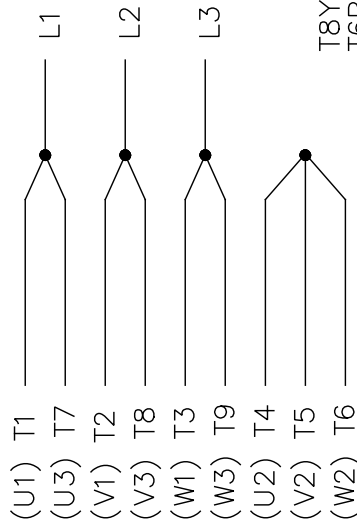
THREE PHASE
DUAL VOLTAGE MOTOR

EE7308

HIGH VOLTAGE



LOW VOLTAGE



VIEW OF TERMINAL END

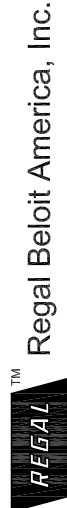
OPTIONAL CORD
CONNECTION

- L1 — WHITE
- L2 — RED
- L3 — BLACK

REF.
WINDING DIAGRAM

T8Y, T2Y, T2BL, T4BX, T2EC, T2G
T6BZ, T2B, T6BL, T4AV, T6B, T4B

CHG TO REGAL LOGO		SL	09/10/2015	AB	TOLERANCES UNLESS SPECIFIED		DRAWN RM 11/20/1990	
REVISED IEC NOTATIONS		MSG	11/15/2011	CMN.X	INCHES		CHK	ML 11/21/1990
ADDED IEC NOTATIONS... (U1), (V1) ETC. MU95194		MSG	5/10/2010	MJS.XX	±.1		APPD	SAS 04/24/2003
ADDED THE OPTIONAL CORD CONNECTION MU46318		RDH	04/24/2003	DRS.XXX	±.02		SCALE	1=1
REDRAWN		RM	11/20/1990	.XXXX ±.0005	±.005		REF	
REVISION		BY & DATE		CHK	ANG		FMF	
THIS DRAWING IN DESIGN AND DETAIL IS OUR PROPERTY AND MUST NOT BE USED EXCEPT IN CONNECTION WITH OUR WORK ALL RIGHTS OF DESIGN AND INVENTION ARE RESERVED THIS IS AN ELECTRONICALLY GENERATED DOCUMENT - DO NOT SCALE THIS PRINT		RFP		DIST		WP		PREV
SIZE		DRAWING NO.		PAGE		OF		REV.
A		EE7308		5		5		



TITLE CONNECTION DIAGRAM
3φ - DUAL VOLTAGE MOTOR

MAT'L

FINISH

CAD FILE ee7308

CERTIFICATION DATA SHEET

Model#: 2131TFCD6026 AA **WINDING#:** HE31324012 NONE 2
CONN. DIAGRAM: A-EE7308 **ASSEMBLY:** F1/F2 CAPABLE
OUTLINE: B-SS620702

TYPICAL MOTOR PERFORMANCE DATA

HP 7 1/2&5	KW 5.6&3.7	SYNC. RPM 1800	F.L. RPM 1768&1475	FRAME 213T	ENCLOSURE TEFC	KVA CODE H	DESIGN B	
PH 3	Hz 60/50	VOLTS 230/460#190/ 380	START TYPE LINE OR INVERTER	DUTY CONTINUOU S	INSL F7	S.F 1.15/1.15	AMB°C 40	ELEVATION 3300
FULL LOAD EFF: 91.7&91	3/4 LOAD EFF: 93	1/2 LOAD EFF: 90	GTD. EFF	ELEC. TYPE	NO LOAD AMPS			
FULL LOAD PF: 80&76.5	3/4 LOAD PF: 73.4	1/2 LOAD PF: 63.8	91	SQ CAGE INV/RATED	9.2 / 4.6			
F.L. TORQUE 22.3 LB-FT	LOCKED ROTOR AMPS 124 / 62	L.R. TORQUE 45 LB-FT 202	B.D. TORQUE 59 LB-FT 265	F.L. RISE°C 40				
SOUND PRESSURE @ 3 FT. 62 dBA	SOUND POWER 72 dBA	ROTOR WK*2 0.95 LB-FT*2	MAX. WK*2 75 LB-FT*2	SAFE STALL TIME 25 SEC.	STARTS /HOUR 2	APPROX. MOTOR WGT 175 LBS.		

*** SUPPLEMENTAL INFORMATION ***

DE BRACKET TYPE STANDARD	ODE BRACKET TYPE STANDARD	MOUNT TYPE RIGID	ORIENTATION HORIZONTAL	SEVERE DUTY FALSE	HAZARDOUS LOCATION NONE	DRIP COVER FALSE	SCREENS NONE	PAINT BLUE (ENAMEL)
BEARINGS DE BALL 6307	OPE BALL 6206	GREASE POLYREX EM	SHAFT TYPE T	SPECIAL DE NONE	SPECIAL ODE NONE	SHAFT MATERIAL 1045 HOT ROLLED (C-204)	FRAME MATERIAL CAST IRON	
THERMOSTATS NONE	PROTECTORS NOT	WDG RTDs NONE	BRG RTDs NONE	THERMISTORS NONE	CONTROL FALSE	SPACE in HEATERS NONE VOLTS		

If Inverter equals NONE, contact factory for further information

INVERTER TORQUE: VARIABLE 10:1
INV. HP SPEED RANGE: NONE
ENCODER: NONE
NONE NONE
NONE NONE PPR
BRAKE: NONE NONE
NONE P/N NONE
NONE NONE
NONE FT-LB NONE V
NONE HZ

* N
O
T
E
S *