

PRODUCT INFORMATION PACKET

Model No: 184TTFC6026

Catalog No: GT1013

5,1800,TEFC,184T,3/60/230/460

Totally Enclosed Fan Cooled (TEFC)



Regal and Marathon are trademarks of Regal Beloit Corporation or one of its affiliated companies.
©2018 Regal Beloit Corporation, All Rights Reserved. MC017097E





Nameplate Specifications

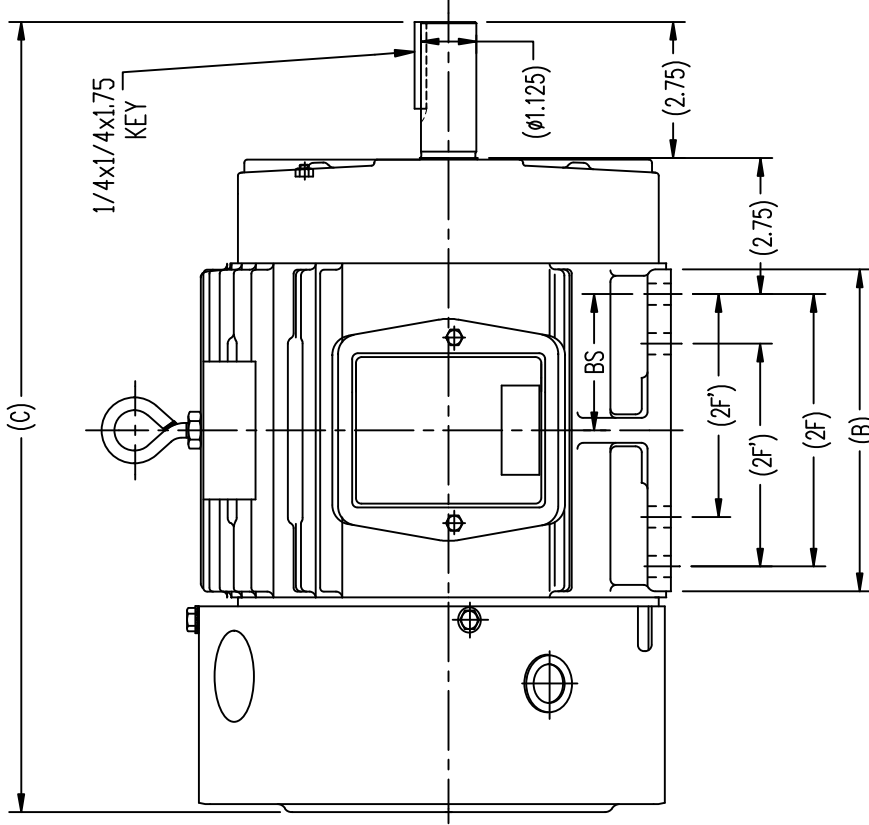
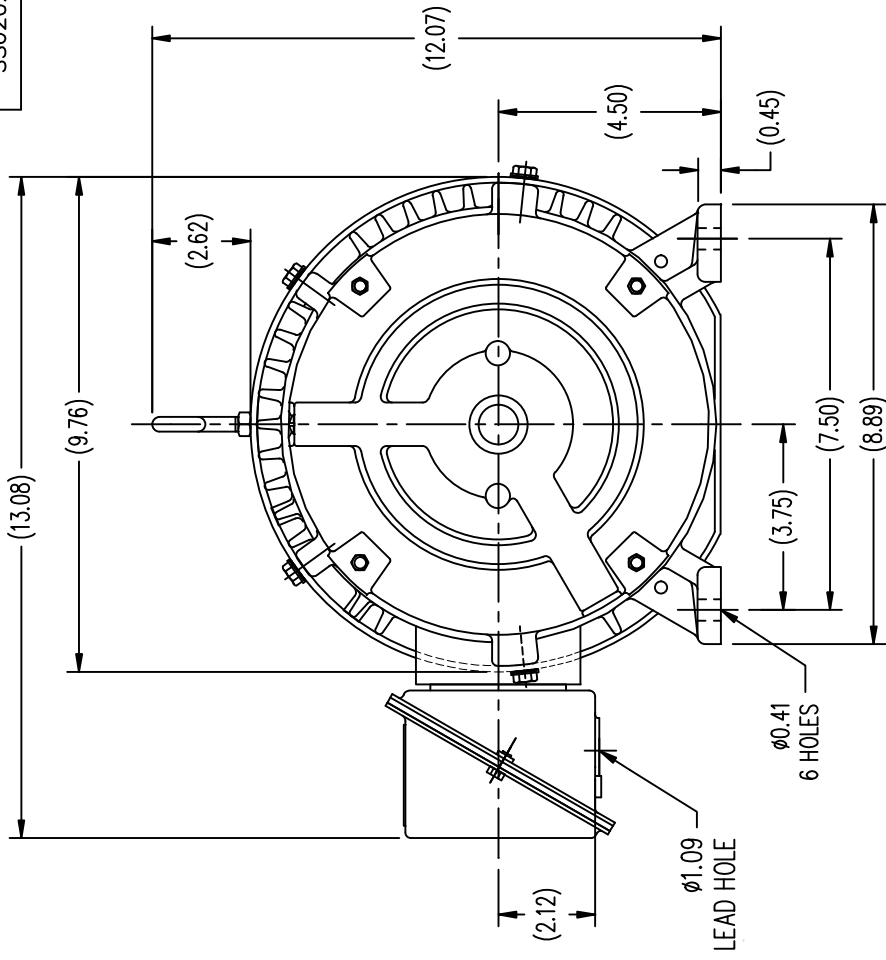
Output HP	5 Hp	Output KW	3.7 kW
Frequency	60 Hz	Voltage	230/460 V
Current	12.4/6.2 A	Speed	1740 rpm
Service Factor	1.15	Phase	3
Efficiency	89.5 %	Duty	Continuous
Insulation Class	F	Design Code	A
KVA Code	K	Frame	184T
Enclosure	Totally Enclosed Fan Cooled	Overload Protector	No
Ambient Temperature	40 °C	Drive End Bearing Size	6206
Opp Drive End Bearing Size	6205	UL	Recognized
CSA	Y	CE	Y
IP Code	43		

Technical Specifications

Electrical Type	Squirrel Cage Inverter Rated	Starting Method	Line Or Inverter
Poles	4	Rotation	Reversible
Mounting	Rigid base	Motor Orientation	Horizontal
Drive End Bearing	Ball	Opp Drive End Bearing	Ball
Frame Material	Cast Iron	Shaft Type	T
Overall Length	15.81 in	Shaft Diameter	1.125 in
Shaft Extension	2.75 in	Assembly/Box Mounting	F1/F2 Capable
Outline Drawing	B-SS620290	Connection Diagram	A-EE7308

This is an uncontrolled document once printed or downloaded and is subject to change without notice. Date Created: 06/28/2018

SS620290



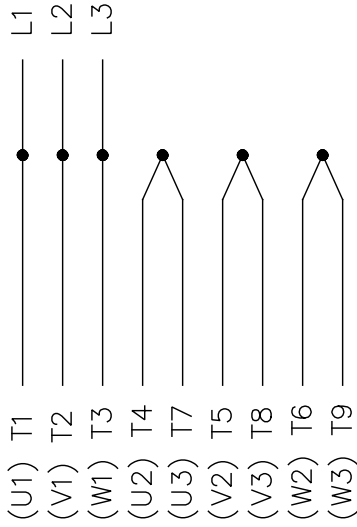
UNLESS OTHERWISE SPECIFIED		REGAL-BELOIT CORPORATION		DRAWN HZJ 03-05-2010	
DEC.	INCHES	REGAL-BELOIT CORPORATION		CHK ZYM 03-05-2010	
.X	±.1	OUTLINE		APPD CL 03-05-2010	
XX	±.03	182/184T FR TEFC-CAST IRON		SCALE 1=2.5	
XXX	±.005	MATERIAL		REF	
XXXX	±.0005	FINISH		FNF HWADA	
NO.	REVISION	CHK	ANG	±1/2	FINISH
BY & DATE		RP	CAD FILE		SS620290
THIS DRAWING IN DESIGN AND DETAIL IS OUR PROPERTY AND MUST NOT BE USED EXCEPT IN CONNECTION WITH THE PROJECT AND FOR THE PURPOSES SPECIFIED THEREIN.					
THIS IS AN ELECTRONICALLY GENERATED DOCUMENT - DO NOT SCALE THIS PRINT					
SIZE				DRAWING NO.	
B				SS620290	
REV.				REV.	

182T	14.80	5.50	4.50	/	2.25
184T	15.81	6.55	5.50	4.50	2.75
FRAME	C	B	2F	2F'	BS

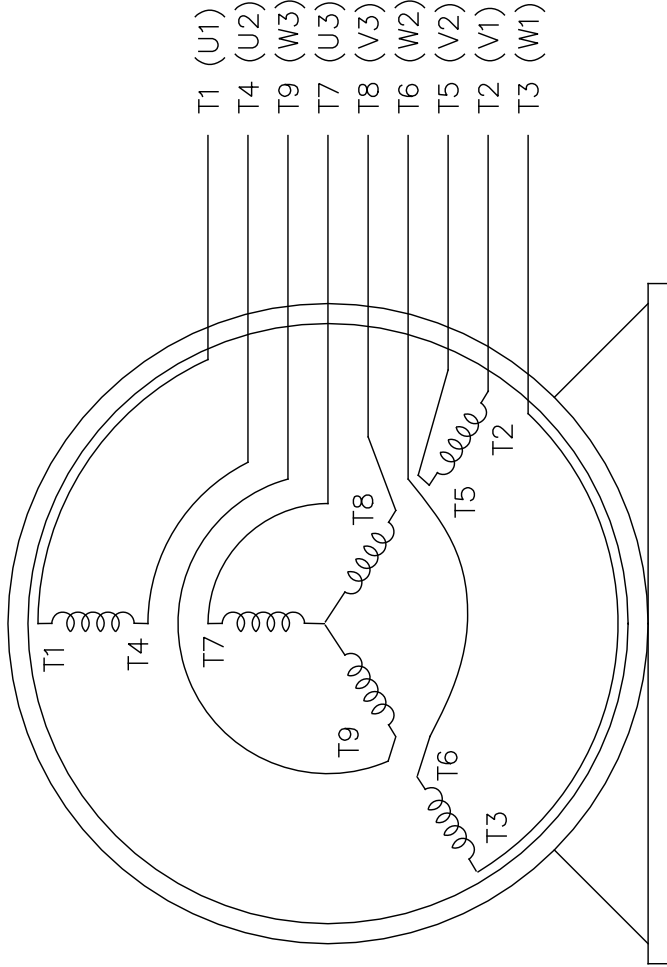
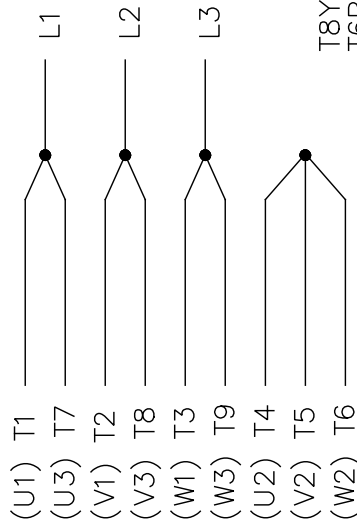
THREE PHASE
DUAL VOLTAGE MOTOR

EE7308

HIGH VOLTAGE



LOW VOLTAGE



VIEW OF TERMINAL END

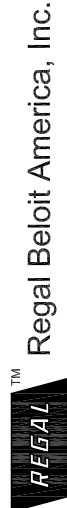
OPTIONAL CORD
CONNECTION

- L1 — WHITE
- L2 — RED
- L3 — BLACK

REF.
WINDING DIAGRAM

T8Y, T2Y, T2BL, T4BX, T2EC, T2G
T6BZ, T2B, T6BL, T4AV, T6B, T4B

CHG TO REGAL LOGO		SL	09/10/2015	AB	TOLERANCES UNLESS SPECIFIED		DRAWN RM 11/20/1990	
REVISED IEC NOTATIONS		MSG	11/15/2011	CMN.X	INCHES		CHK	ML 11/21/1990
ADDED IEC NOTATIONS... (U1), (V1) ETC. MU95194		MSG	5/10/2010	MJS.XX	±.1		APPD	SAS 04/24/2003
ADDED THE OPTIONAL CORD CONNECTION MU46318		RDH	04/24/2003	DRS.XXX	±.02		SCALE	1=1
REDRAWN		RM	11/20/1990	.XXXX	±.0005		REF	
REVISION		BY & DATE		CHK	ANG		FMF	
THIS DRAWING IN DESIGN AND DETAIL IS OUR PROPERTY AND MUST NOT BE USED EXCEPT IN CONNECTION WITH OUR WORK ALL RIGHTS OF DESIGN AND INVENTION ARE RESERVED THIS IS AN ELECTRONICALLY GENERATED DOCUMENT - DO NOT SCALE THIS PRINT		RFP		±7'30"		PREV		
DIST		WP		SIZE		DRAWING NO.		PAGE
				A		EE7308		OF
								REV.
								5



Regal Beloit America, Inc.

TITLE CONNECTION DIAGRAM
3φ - DUAL VOLTAGE MOTOR

CERTIFICATION DATA SHEET

Model#: 184TTC6026 BB **WINDING#:** CHT18440007 NONE 1
CONN. DIAGRAM: A-EE7308 **ASSEMBLY:** F1/F2 CAPABLE
OUTLINE: B-SS620290

TYPICAL MOTOR PERFORMANCE DATA

HP 5&3	KW 3.7&2.24	SYNC. RPM 1800	F.L. RPM 1740&1458	FRAME 184T	ENCLOSURE TEFC	KVA CODE K	DESIGN A	
PH 3	HZ 60/50	VOLTS 230/460/190/380	START TYPE LINE OR INVERTER	DUTY CONTINUOUS	INSL F7	S.F 1.15/1.15	AMB°C 40	ELEVATION 3300
FULL LOAD EFF: 89.5&89.5	3/4 LOAD EFF: 89.5	1/2 LOAD EFF: 88.5	GTD. EFF	ELEC. TYPE	NO LOAD AMPS			
FULL LOAD PF: 85&80	3/4 LOAD PF: 76	1/2 LOAD PF: 84.5	88.5	SQ. CAGE INV. RATED	5.6 / 2.8			
F.L. TORQUE 15.1 LB-FT	LOCKED ROTOR AMPS 112 / 56	L.R. TORQUE 38 LB-FT 292	B.D. TORQUE 57.4 LB-FT 380	F.L. RISE°C	55			
SOUND PRESSURE @ 3 FT. 62 dBA	SOUND POWER 72 dBA	ROTOR WK^2 0.5 LB-FT^2	MAX. WK^2 30 LB-FT^2	SAFE STALL TIME 20 SEC.	STARTS / HOUR 2	APPROX. MOTOR WGT 110 LBS.		

*** SUPPLEMENTAL INFORMATION ***

DE BRACKET TYPE STANDARD	ODE BRACKET TYPE STANDARD	MOUNT TYPE RIGID	ORIENTATION HORIZONTAL	SEVERE DUTY FALSE	HAZARDOUS LOCATION NONE	DRIP COVER FALSE	SCREENS NONE	PAINT BLUE (ENAMEL)
BEARINGS	GREASE	SHAFT TYPE	SPECIAL DE	SPECIAL ODE	SHAFT MATERIAL	FRAME MATERIAL		
DE BALL 6206	OPE BALL 6205	POLYREX EM	T	NONE	1045 HOT ROLLED (C-204)	CAST IRON		
THERMOSTATS NONE	THERMO-PROTECTORS NOT	WDG RTDs NONE	BRG RTDs NONE	CONTROL FALSE	SPACE IN HEATERS NONE VOLTS			

If Inverter equals NONE, contact factory for further information

INVERTER TORQUE: VARIABLE 10:1
INV. HP SPEED RANGE: NONE
ENCODER: NONE
NONE NONE
NONE NONE PPR
BRAKE: NONE NONE
NONE P/N NONE
NONE NONE
NONE FT-LB NONE V NONE HZ

DATE: 06/28/2017 07:18:15 AM
 FORM 3531 REV.3 02/07/99
 ** Subject to change without notice.

Data Sheet

Date: 19-06-2017
 Customer: _____
 Attention: _____
 Submitted by: FAREEDA DUDEKULA

184TFC8026

Submittal
 Data @ 460 V



Load	Motor Load Data						
	0%	25%	50%	75%	100%	115%	125%
Current (Amps)	2.80	3.2	4.0	5.0	6.2	6.9	7.7
Torque (ft-lb)	0.0	3.7	7.4	11.2	17.4	19.0	38.0
RPM	1800	1790	1780	1755	1740	1732	1725
Efficiency (%)		86.5	88.5	89.5	89.5	88.5	88.5
P.F. (%)	5.5	42.5	64.5	76.0	85.0	85.5	85.5

Motor Speed Data			
LR	Pull-Up	BD	Rated
0	900	1450	1740
Speed (RPM)	0	900	1450
Current (Amps)	56.0	50.5	36.0
Torque (ft-lb)	380	34.2	57.4
HP	5.0	2.80	1.60
Sync. RPM	1800		
Frame	184		
Enclosure	TEFC		
Construction	TFC		
Voltage	230/460#190/384V		
Frequency	60 Hz		
Design	A		
LR Code letter	K		
Service Factor	1-15		
Temp Rise @ FL	55 °C		
Duty	CONT		
Ambient	40 °C		
Elevation	1,000 feet		
Factor/Shaft wk?	0.50 LB-FZ		
Ref Wdg	CHT18440007 NONE		
Sound Pressure @ 1M	62 dBA		
VFD Rating	VARIABLE 10:1		
Outline Dwg	B-SS620290		
Conn. Diag	A-EE7308		
Additional Specifications:	0		

