

PRODUCT INFORMATION PACKET

Model No: 182TTFC6026

Catalog No: GT1010

3,1800,TEFC,182T,3/60/230/460

Totally Enclosed Fan Cooled (TEFC)



Regal and Marathon are trademarks of Regal Beloit Corporation or one of its affiliated companies.
©2018 Regal Beloit Corporation, All Rights Reserved. MC017097E





Nameplate Specifications

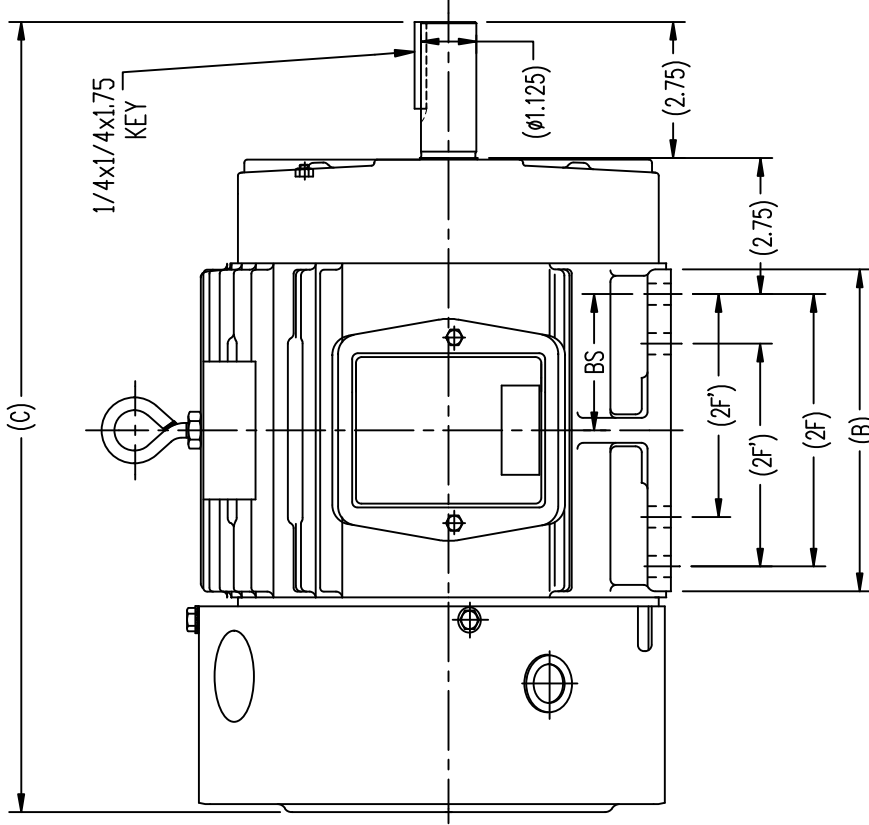
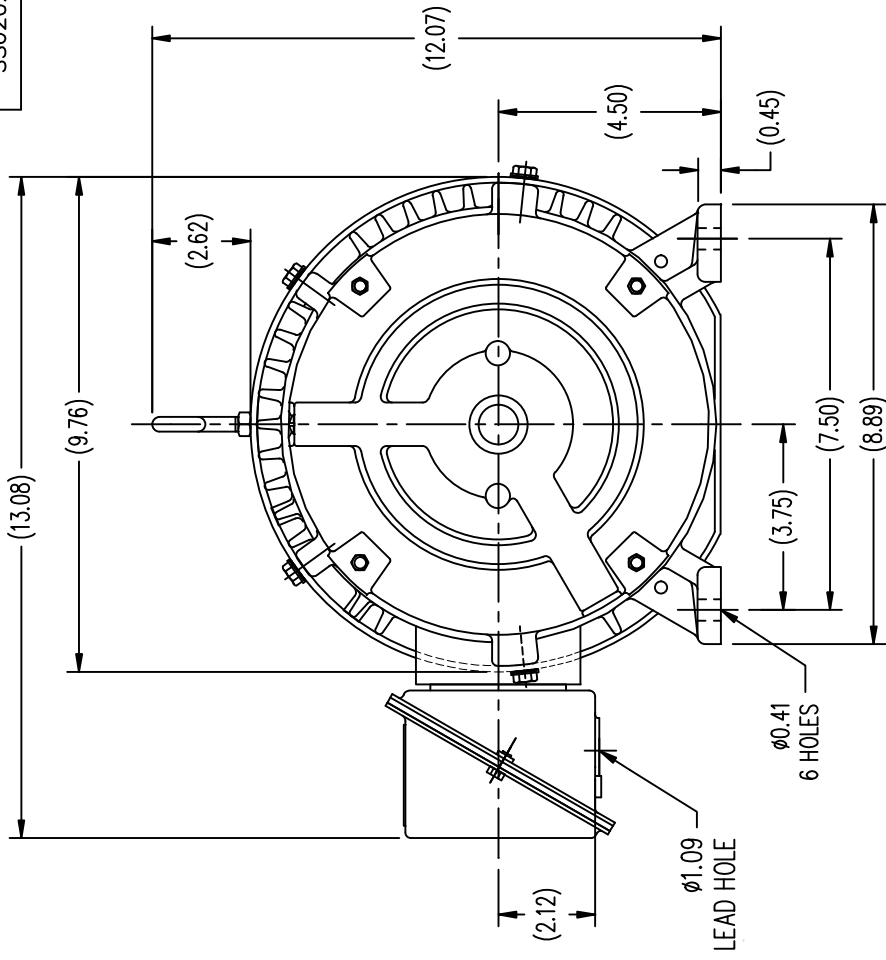
Output HP	3 Hp	Output KW	2.2 kW
Frequency	60 Hz	Voltage	230/460 V
Current	7.8/3.9 A	Speed	1750 rpm
Service Factor	1.15	Phase	3
Efficiency	89.5 %	Duty	Continuous
Insulation Class	F	Design Code	B
KVA Code	K	Frame	182T
Enclosure	Totally Enclosed Fan Cooled	Overload Protector	No
Ambient Temperature	40 °C	Drive End Bearing Size	6206
Opp Drive End Bearing Size	6205	UL	Recognized
CSA	Y	CE	Y
IP Code	43		

Technical Specifications

Electrical Type	Squirrel Cage Induction Run	Starting Method	Across The Line
Poles	4	Rotation	Reversible
Mounting	Rigid base	Motor Orientation	Horizontal
Drive End Bearing	Ball	Opp Drive End Bearing	Ball
Frame Material	Cast Iron	Shaft Type	T
Overall Length	14.8 in	Shaft Diameter	1.125 in
Shaft Extension	2.75 in	Assembly/Box Mounting	F1/F2 Capable
Outline Drawing	B-SS620290	Connection Diagram	A-EE7308

This is an uncontrolled document once printed or downloaded and is subject to change without notice. Date Created: 06/29/2018

SS620290



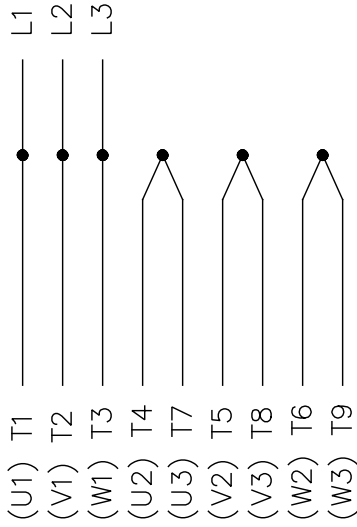
UNLESS OTHERWISE SPECIFIED		REGAL-BELOIT CORPORATION		DRAWN HZJ 03-05-2010	
DEC.	INCHES	REGAL-BELOIT CORPORATION		CHK ZYM 03-05-2010	
.X	±.1	OUTLINE		APPD CL 03-05-2010	
XX	±.03	182/184T FR TEFC-CAST IRON		SCALE 1=2.5	
XXX	±.005	MATERIAL		REF	
XXXX	±.0005	FINISH		FNF HWADA	
NO.	REVISION	CHK	ANG	±1/2'	FINISH
BY & DATE		RP	CAD FILE		SS620290
THIS DRAWING IN DESIGN AND DETAIL IS OUR PROPERTY AND MUST NOT BE USED EXCEPT IN CONNECTION WITH THE PROJECT AND FOR THE PURPOSES SPECIFIED THEREIN.					
THIS IS AN ELECTRONICALLY GENERATED DOCUMENT - DO NOT SCALE THIS PRINT					
SIZE			DRAWING NO.		
B			SS620290		
REV.			REV.		
B			SS620290		

182T	14.80	5.50	4.50	/	2.25
184T	15.81	6.55	5.50	4.50	2.75
FRAME	C	B	2F	2F'	BS

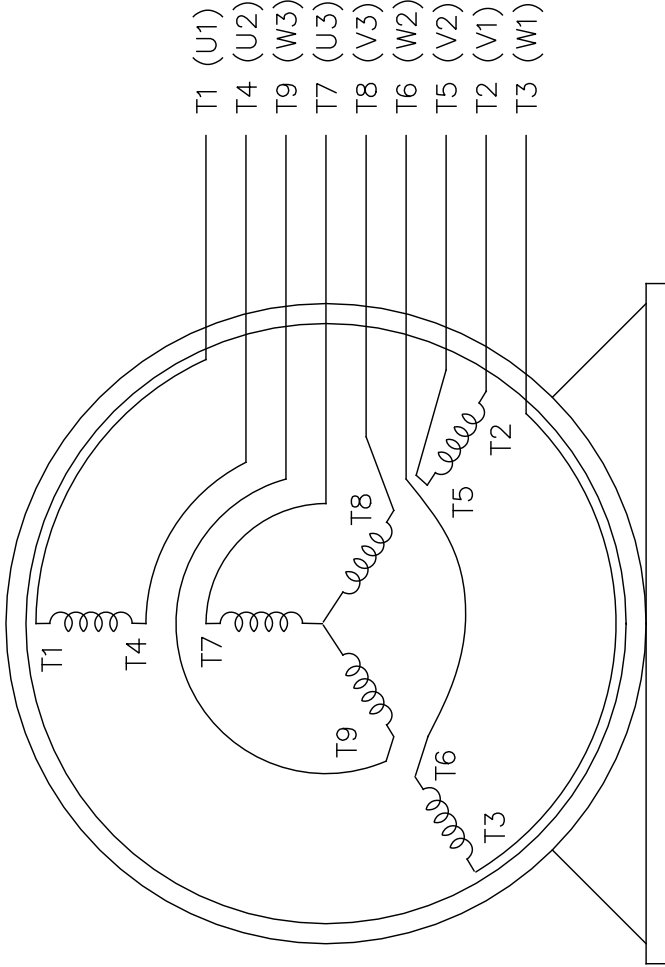
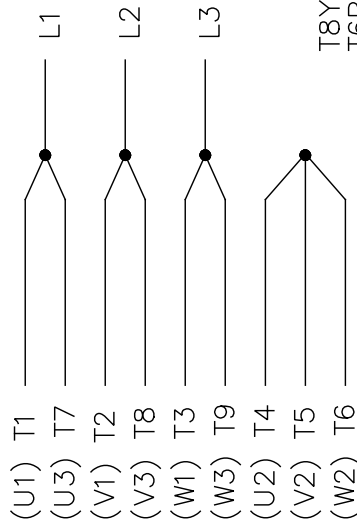
THREE PHASE
DUAL VOLTAGE MOTOR

EE7308

HIGH VOLTAGE



LOW VOLTAGE



VIEW OF TERMINAL END

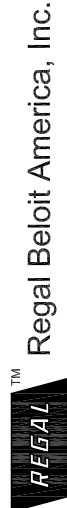
OPTIONAL CORD
CONNECTION

- L1 — WHITE
- L2 — RED
- L3 — BLACK

REF.
WINDING DIAGRAM

T8Y, T2Y, T2BL, T4BX, T2EC, T2G
T6BZ, T2B, T6BL, T4AV, T6B, T4B

5		CHG TO REGAL LOGO	SL	09/10/2015	AB	TOLERANCES UNLESS SPECIFIED		DRAWN RM 11/20/1990	
4		REVISED IEC NOTATIONS	MSG	11/15/2011	CMN.X	INCHES		CHK	ML 11/21/1990
3		ADDED IEC NOTATIONS... (U1), (V1) ETC.	MSG	5/10/2010	MJS.XX	±.1		APPD	SAS 04/24/2003
2		ADDED THE OPTIONAL CORD CONNECTION	RDH	04/24/2003	DRS.XXX	±.02		SCALE 1=1	
1		REDRAWN	RM	11/20/1990	.XXXX	±.005		REF	
NO.		REVISION	BY & DATE		CHK	ANG		FME	
		THIS DRAWING IN DESIGN AND DETAIL IS OUR PROPERTY AND MUST NOT BE USED EXCEPT IN CONNECTION WITH OUR WORK ALL RIGHTS OF DESIGN AND INVENTION ARE RESERVED THIS IS AN ELECTRONICALLY GENERATED DOCUMENT - DO NOT SCALE THIS PRINT		RFP	±7'30"		PREV		
				DIST	WP		SIZE		DRAWING NO. PAGE OF
								EE7308 5	



TITLE CONNECTION DIAGRAM
3φ - DUAL VOLTAGE MOTOR

CERTIFICATION DATA SHEET

Model#: 182TTC6026 BB **WINDING#:** CHT18240007 NONE 1
CONN. DIAGRAM: A-EE7308 **ASSEMBLY:** F1/F2 CAPABLE
OUTLINE: B-SS620290

TYPICAL MOTOR PERFORMANCE DATA

HP 3&2	KW 2.24&1.149	SYNC. RPM 1800	F.L. RPM 1750&1460	FRAME 182T	ENCLOSURE TEFC	KVA CODE K	DESIGN B	
PH 3	Hz 60/50	VOLTS 230/460/190/ 380	START TYPE ACROSS THE LINE	DUTY CONTINUOU S	INSL F7	S.F 1.15/1.15	AMB°C 40	ELEVATION 3300
FULL LOAD EFF: 89.5&88.5		3/4 LOAD EFF: 88.5		1/2 LOAD EFF: 87.5	GTD. EFF	ELEC. TYPE	NO LOAD AMPS	
FULL LOAD PF: 82&78		3/4 LOAD PF: 78		1/2 LOAD PF: 68	88.5	SO CAGE IND RUN	3.2 / 1.6	
F.L. TORQUE 9 LB-FT	LOCKED ROTOR AMPS 64 / 32	L.R. TORQUE 21 LB-FT 233	B.D. TORQUE 29 LB-FT 322	F.L. RISE°C 80				
SOUND PRESSURE @ 3 FT.	SOUND POWER 72 dBA	ROTOR WK^2 0.4 LB-FT^2	MAX. WK^2 40 LB-FT^2	SAFE STALL TIME 25 SEC.	STARTS /HOUR	APPROX. MOTOR WGT	95 LBS.	

*** SUPPLEMENTAL INFORMATION ***

DE BRACKET TYPE	ODE BRACKET TYPE	MOUNT TYPE	ORIENTATION	SEVERE DUTY	HAZARDOUS LOCATION	DRIP COVER	SCREENS	PAINT
STANDARD	STANDARD	RIGID	HORIZONTAL	FALSE	NONE	FALSE	NONE	BLUE (ENAMEL)
BEARINGS	GREASE	SHAFT TYPE	SPECIAL DE	SPECIAL ODE	SHAFT MATERIAL	FRAME MATERIAL		
DE BALL 6206	OPE BALL 6205	POLYREX EM	T	NONE	1045 HOT ROLLED (C-204)	CAST IRON		
THERMOSTATS	THERMO-PROTECTORS	WIDG RTDs	BRG RTDs	CONTROL	SPACE in HEATERS			
NONE	NOT	NONE	NONE	NONE	FALSE	NONE VOLTS		

If Inverter equals NONE, contact factory for further information

INVERTER TORQUE: NONE
INV. HP SPEED RANGE: NONE
ENCODER: NONE
NONE NONE
NONE NONE PPR
BRAKE: NONE NONE
NONE PIN NONE
NONE NONE
NONE FT-LB NONE V
NONE HZ

* N O T E S *

Data Sheet

Date: 19-06-2017
 Customer: _____
 Attention: _____
 Submitted by: FAREEDA DUDEKULA

182TFC6026

Submittal
 Data @ 460 V



Load	Motor Load Data					
	0%	25%	50%	75%	100%	LR
Current (Amps)	1.60	1.85	2.40	3.0	3.9	4.6
Torque (ft-lb)	0.00	2.20	4.4	6.7	10.3	11.3
RPM	1800	1790	1760	1770	1750	0
Efficiency (%)		81.5	87.5	88.5	87.5	86.0
P.F. (%)	8.0	47.0	68.0	78.0	82.0	85.0

Motor Speed Data			
LR	Pull-Up	BD	Rated
0	900	1710	1760
Speed (RPM)	0	28.0	17.5
Current (Amps)	21.0	18.0	29.0
Torque (ft-lb)			9.0
HP			1.60
Sync. RPM			1800
Frame			182
Enclosure			TEFC
Construction			TFC
Voltage			230/460#190/384V
Frequency			60 Hz
Design			B
LR Code letter			K
Service Factor			1-15
Temp Rise @ FL			80 ° C
Duty			CONT
Ambient			40 ° C
Elevation			1,000 feet
Factor/Shaft wk?			0.40 LB-FZ
Ref Wdg			CHT18240007 NONE
Sound Pressure @ 1M			62 dBA
VFD Rating			NONE
Outline Dwg			B-SS620290
Conn. Diag			A-EE7308
Additional Specifications:			0
			365TFC6036
			EQUIV CKT (OHMS / PHASE)
R1	R2	X1	X2
2.3530	1.6160	5.0840	7.9000
Xm			
130.4100			

