

PRODUCT INFORMATION PACKET

Model No: 145TTFC6027

Catalog No: GT1007

2,1800,TEFC,145T,3/60/230/460

Totally Enclosed Fan Cooled (TEFC)



Regal and Marathon are trademarks of Regal Beloit Corporation or one of its affiliated companies.
©2018 Regal Beloit Corporation, All Rights Reserved. MC017097E





Nameplate Specifications

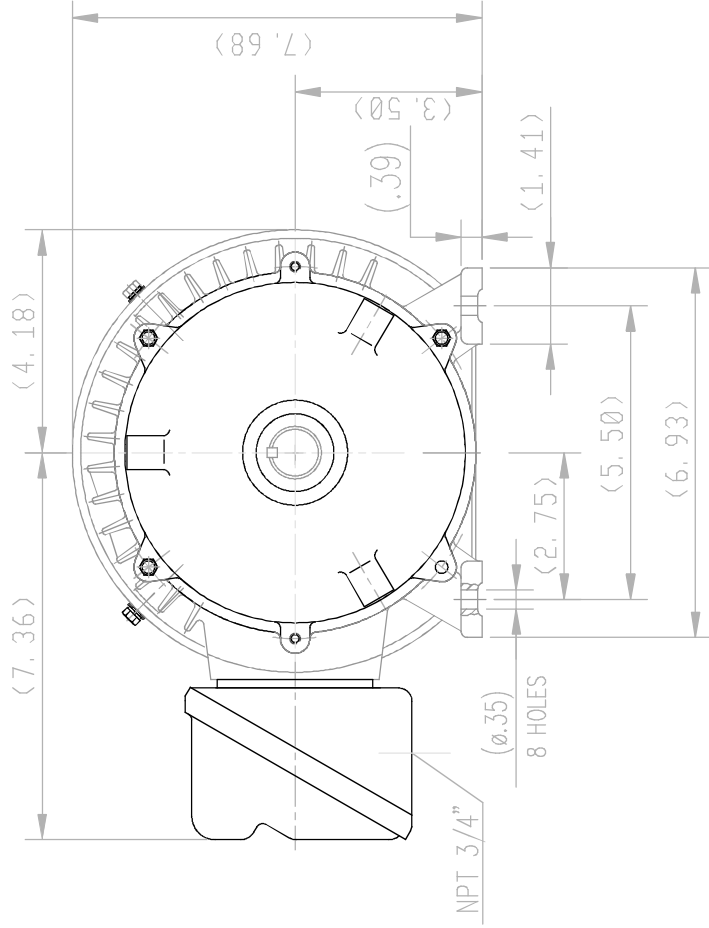
Output HP	2 Hp	Output KW	1.5 kW
Frequency	60 Hz	Voltage	230/460 V
Current	5.0/2.5 A	Speed	1730 rpm
Service Factor	1.15	Phase	3
Efficiency	86.5 %	Duty	Continuous
Insulation Class	F	Design Code	B
KVA Code	K	Frame	145T
Enclosure	Totally Enclosed Non Ventilated	Overload Protector	No
Ambient Temperature	40 °C	Drive End Bearing Size	6205
Opp Drive End Bearing Size	6203	UL	Recognized
CSA	Y	CE	Y
IP Code	43		

Technical Specifications

Electrical Type	Squirrel Cage Induction Run	Starting Method	Across The Line
Poles	4	Rotation	Reversible
Mounting	Rigid base	Motor Orientation	Horizontal
Drive End Bearing	Ball	Opp Drive End Bearing	Ball
Frame Material	Cast Iron	Shaft Type	T
Overall Length	14.2 in	Shaft Diameter	0.875 in
Shaft Extension	2.25 in	Assembly/Box Mounting	F1/F2 Capable
Outline Drawing	SS620599-145T	Connection Diagram	A-EE7308

This is an uncontrolled document once printed or downloaded and is subject to change without notice. Date Created: 06/29/2018

SS620599



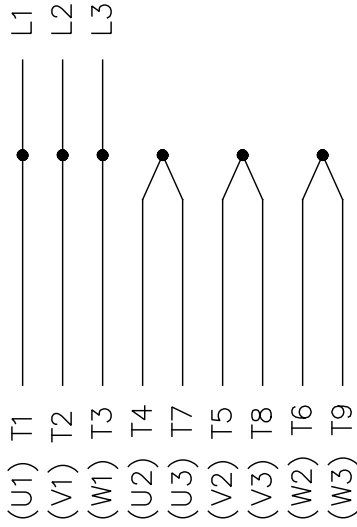
TOLERANCES UNLESS SPECIFIED		DRAWN ZTH 7.5.2012	
DEC.	INCHES	CHK HZJ 7.5.2012	
.X	±.1	APPD WGH 7.5.2012	
.XX	±.03	SCALE	
.XXX	±.005	REF	
.XXXX	±.0005	FINF	
NO.	REVISION	PREV	
	BY & DATE		
THIS DRAWING IN DESIGN AND DETAIL IS OUR PROPERTY AND MUST NOT BE USED EXCEPT IN CONNECTION WITH OUR WORK. ALL RIGHTS OF DESIGN AND INVENTION ARE RESERVED. THIS IS AN ELECTRONICALLY GENERATED DOCUMENT - DO NOT SCALE THIS PRINT			
CHK	ANG	±1/2	
RFP			
DIST			
CAD FILE	SS620599	SIZE	DRAWING NO.
		B	SS620599
			REV.

143T	13.2	5.71	4.0
145T	14.2	6.70	5.0
FRAME	C	B	2F

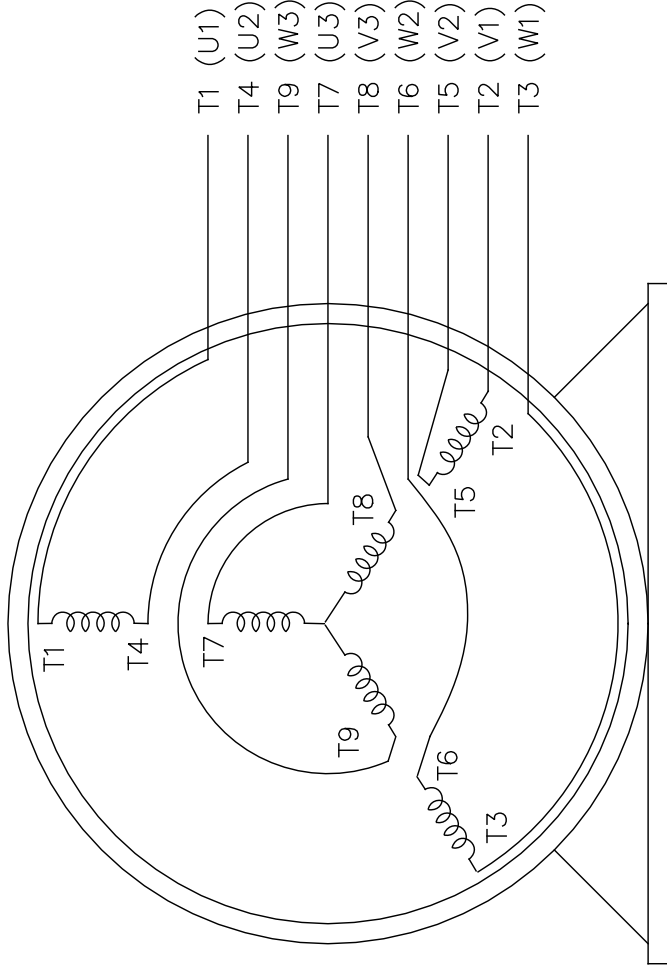
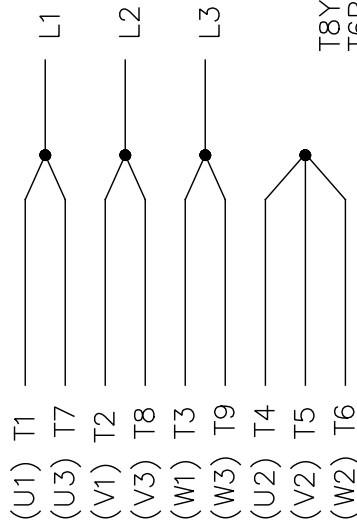
THREE PHASE
DUAL VOLTAGE MOTOR

EE7308

HIGH VOLTAGE



LOW VOLTAGE



VIEW OF TERMINAL END

OPTIONAL CORD
CONNECTION

- L1 — WHITE
- L2 — RED
- L3 — BLACK

REF.
WINDING DIAGRAM

T8Y, T2Y, T2BL, T4BX, T2EC, T2G
T6BZ, T2B, T6BL, T4AV, T6B, T4B

CHG TO REGAL LOGO		SL	09/10/2015	AB	TOLERANCES UNLESS SPECIFIED		DRAWN RM 11/20/1990	
REVISED IEC NOTATIONS		MSG	11/15/2011	CMN.X	INCHES		CHK	ML 11/21/1990
ADDED IEC NOTATIONS... (U1), (V1) ETC. MU95194		MSG	5/10/2010	MJS.XX	±.1		APPD	SAS 04/24/2003
ADDED THE OPTIONAL CORD CONNECTION MU46318		RDH	04/24/2003	DRS.XXX	±.02		SCALE	1=1
REDRAWN		RM	11/20/1990	.XXXX ±.0005	±.005		REF	
REVISION		BY & DATE		CHK	ANG		FMF	
THIS DRAWING IN DESIGN AND DETAIL IS OUR PROPERTY AND MUST NOT BE USED EXCEPT IN CONNECTION WITH OUR WORK ALL RIGHTS OF DESIGN AND INVENTION ARE RESERVED THIS IS AN ELECTRONICALLY GENERATED DOCUMENT - DO NOT SCALE THIS PRINT		RFP		DIST		WP		PREV
SIZE		DRAWING NO.		PAGE		OF		REV.
A		EE7308		EE7308		5		



Regal Beloit America, Inc.

TITLE CONNECTION DIAGRAM
3φ - DUAL VOLTAGE MOTOR

CERTIFICATION DATA SHEET

Model#: 145TTC6027 AA
 CONN. DIAGRAM: A-EE7308
 OUTLINE: SS620599

WINDING#: CHT14504002 NONE 2
 ASSEMBLY: F1/F2 CAPABLE

TYPICAL MOTOR PERFORMANCE DATA

HP	2&1/2	KW	1.49&1.12	SYNC. RPM	1800	F.L. RPM	1730&1435	FRAME	145T	ENCLOSURE	TENV	KVA CODE	K	DESIGN	B		
PH	3	Hz	60/50	VOLTS	230/460/190/380	FL AMPS	5/2.5&4.8/2.4	START TYPE	CONTINUOUS	INSL	F2	S.F	1.15/1.15	AMB°C	40	ELEVATION	3300
FULL LOAD EFF:	86.5&85.5	3/4 LOAD EFF:	87.5	1/2 LOAD EFF:	88.5	GTD. EFF	85.5	ELEC. TYPE	SO CAGE IND RUN	NO LOAD AMPS	2.2 / 1.1						
FULL LOAD PF:	85&84	3/4 LOAD PF:	79	1/2 LOAD PF:	68	LOCKED ROTOR AMPS	41 / 20.5	L.R. TORQUE	16.3 LB-FT 265	B.D. TORQUE	21.5 LB-FT 350	F.L. RISE°C	60				
SOUND PRESSURE @ 3 FT.	43 dBA	53 dBA		ROTOR WK'2		MAX. WK'2		SAFE STALL TIME		STARTS / HOUR	2	APPROX. MOTOR WGT	- LBS.				

*** SUPPLEMENTAL INFORMATION ***

DE BRACKET TYPE	STANDARD	ODE BRACKET TYPE	STANDARD	MOUNT TYPE	RIGID	ORIENTATION	HORIZONTAL	SEVERE DUTY	FALSE	HAZARDOUS LOCATION	NONE	DRIP COVER	FALSE	SCREENS	NONE	PAINT	BLUE (ENAMEL)
BEARINGS		GREASE		SHAFT TYPE		SPECIAL DE		SPECIAL ODE		SHAFT MATERIAL	AISI 1045 (C-240)	FRAME MATERIAL	CAST IRON				
DE	OPE																
BALL	6205			POLYREX EM	T												
PROTECTORS	NOT	WDG RTDs	NONE	BRG RTDs	NONE	CONTROL	FALSE	SPACE in HEATERS	NONE VOLTS								

If Inverter equals NONE, contact factory for further information

INVERTER TORQUE:	NONE
INV. HP SPEED RANGE:	NONE
ENCODER:	NONE
NONE:	NONE
NONE:	NONE PPR
BRAKE:	NONE
NONE:	PIN NONE
NONE:	NONE
NONE FT-LB:	NONE V
NONE HZ:	NONE HZ

DATE: 06/23/2017 06:57:57 AM
 FORM 3531 REV.3 02/07/99
 ** Subject to change without notice.

Data Sheet

Date: 16-06-2017
 Customer: _____
 Attention: _____
 Submitted by: FAREEDA DUDEKULA

1451TFC8027

Submittal
 Data @ 460 V



Load	Motor Load Data									
	0%	25%	50%	75%	100%	115%	125%	LR	LR	LR
Current (Amps)	1.10	1.20	1.60	2.00	2.50	2.90	3.2	20.5	20.5	20.5
Torque (ft-lb)	0.00	1.50	3.0	4.5	6.1	7.7	7.7	16.3	16.3	16.3
RPM	1800	1784	1767	1748	1730	1719	1704	0	0	0
Efficiency (%)	84.0	84.0	88.5	87.5	86.5	85.5	84.0	84.0	84.0	84.0
P.F. (%)	6.5	45.5	68.0	79.0	85.0	86.5	87.5	87.5	87.5	87.5

Motor Speed Data			
LR	Pull-Up	BD	Rated
0	900	1650	1730
Speed (RPM)	0	900	1650
Current (Amps)	20.5	17.6	2.50
Torque (ft-lb)	16.3	15.5	6.1
HP	2.0	1.10	1.10
Sync. RPM	1800	1800	1800
Frame	145	145	145

Information Block				
Construction	TEFC			
Enclosure	TFC			
Voltage	230/460#190/384V			
Frequency	60 Hz			
Design	B			
LR Code letter	K			
Service Factor	1-15			
Temp Rise @ FL	60 ° C			
Duty	CONT			
Ambient	40 ° C			
Elevation	1,000 feet			
Factor/Shaft wk?	0.00 LB-Ft²			
Ref Wdg	CHT145040002 NONE			
Sound Pressure @ 1M	43 dBA			
VFD Rating	NONE			
Outline Dwg	SS620589			
Conn. Diag	A-EE7308			
Additional Specifications:	0			
365TFC8036				
EQUIV CKT (OHMS / PHASE)				
R1	R2	X1	X2	Xm
0.0000	0.0000	0.0000	0.0000	0.0000

