

PRODUCT INFORMATION PACKET

marathon[®]
Motors

Model No: 145TTFC6026

Catalog No: GT1004

1 1/2, 1800, TEFC, 145T, 3/60/230/460

Totally Enclosed Fan Cooled (TEFC)



Regal and Marathon are trademarks of Regal Beloit Corporation or one of its affiliated companies.
©2018 Regal Beloit Corporation, All Rights Reserved. MC017097E

REGAL



Nameplate Specifications

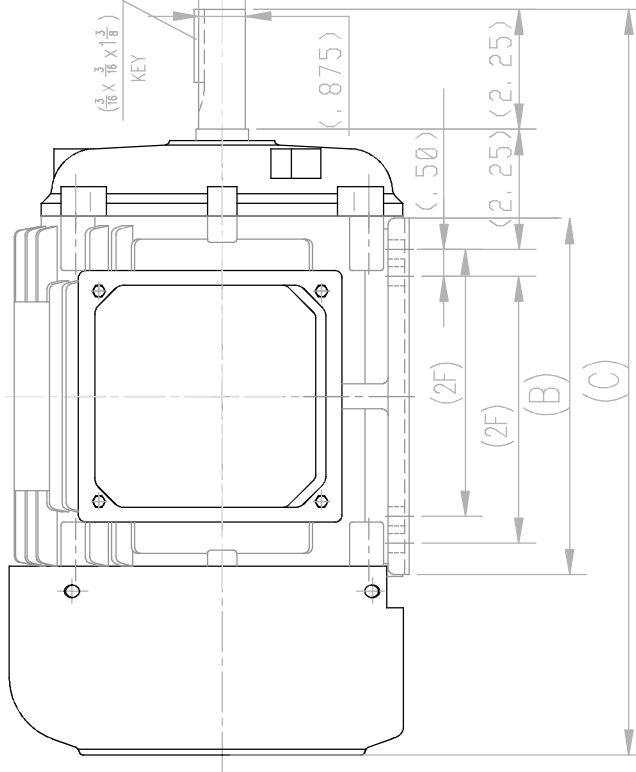
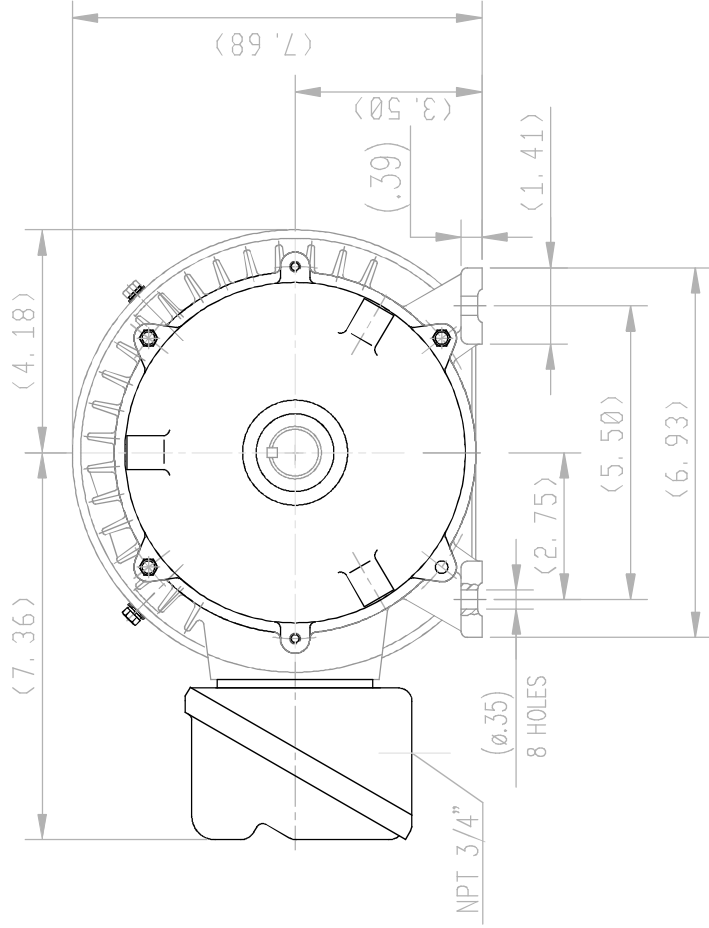
Output HP	1.50 Hp	Output KW	1.1 kW
Frequency	60 Hz	Voltage	230/460 V
Current	4.0/2.0 A	Speed	1740 rpm
Service Factor	1.15	Phase	3
Efficiency	86.5 %	Duty	Continuous
Insulation Class	F	Design Code	B
KVA Code	L	Frame	145T
Enclosure	Totally Enclosed Non Ventilated	Overload Protector	No
Ambient Temperature	40 °C	Drive End Bearing Size	6205
Opp Drive End Bearing Size	6203	UL	Recognized
CSA	Y	CE	Y
IP Code	43		

Technical Specifications

Electrical Type	Squirrel Cage Induction Run	Starting Method	Across The Line
Poles	4	Rotation	Reversible
Mounting	Rigid base	Motor Orientation	Horizontal
Drive End Bearing	Ball	Opp Drive End Bearing	Ball
Frame Material	Cast Iron	Shaft Type	T
Overall Length	14.2 in	Shaft Diameter	0.875 in
Shaft Extension	2.25 in	Assembly/Box Mounting	F1/F2 Capable
Outline Drawing	SS620599-145T	Connection Diagram	EE7308

This is an uncontrolled document once printed or downloaded and is subject to change without notice. Date Created: 06/29/2018

SS620599



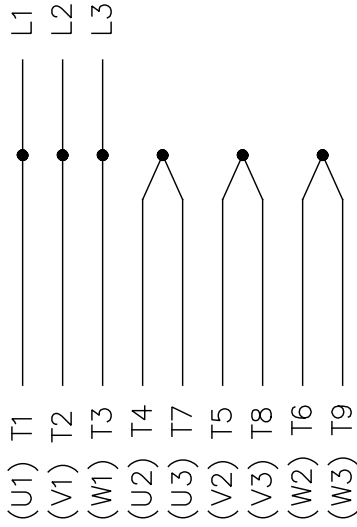
DRAWN		ZH	7.5.2012
CHK		HZJ	7.5.2012
APPD		WGH	7.5.2012
SCALE			
REF			
FNF			
PREV			
NO.			
REVISION			
BY & DATE			
RFP			
DIST			
TOLERANCES UNLESS SPECIFIED			
DEC.	INCHES		
.X	±.1		
.XX	±.03		
.XXX	±.005		
.XXXX	±.0005		
CHK	ANG	±1/2	FINISH
CAD FILE		SS620599	SIZE
DRAWING NO.		B	REV.
REGAL		Regal-Beloit Corporation	
TITLE		OUTLINE	
SCALE		143/145T FR TEFC-SEVERE DUTY	
MATERIAL			
FINISH			
REV.		SS620599	

143T	13.2	5.71	4.0
145T	14.2	6.70	5.0
FRAME	C	B	2F

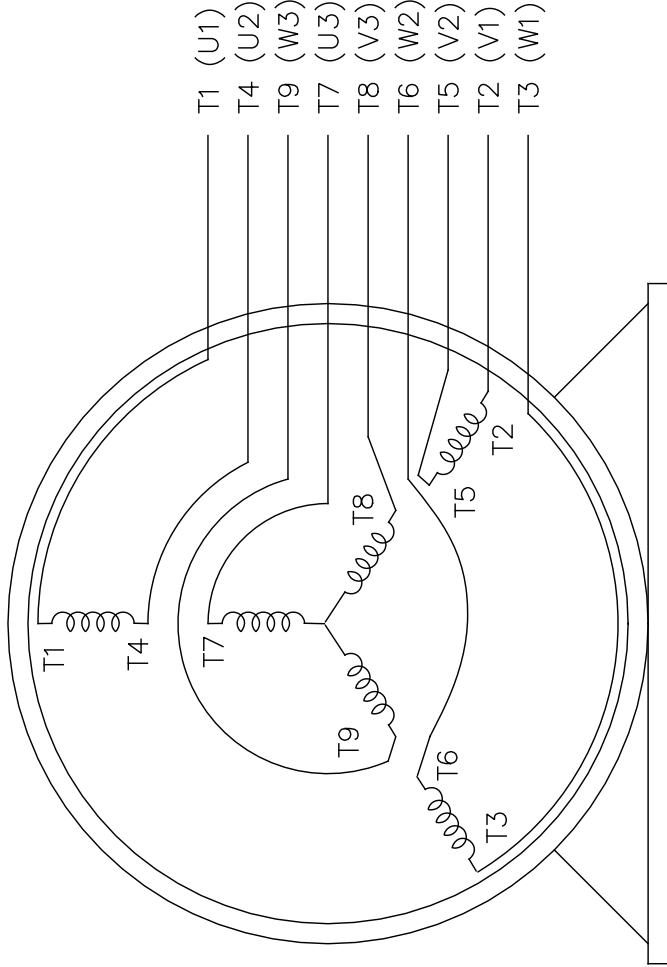
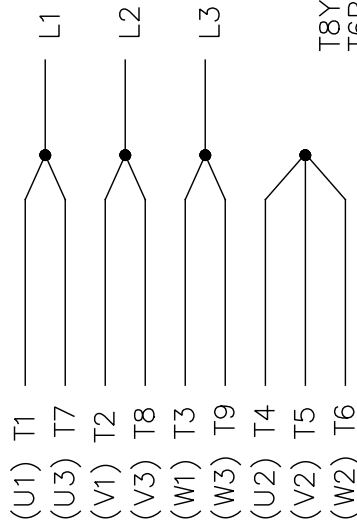
THREE PHASE
DUAL VOLTAGE MOTOR

EE7308

HIGH VOLTAGE



LOW VOLTAGE



VIEW OF TERMINAL END

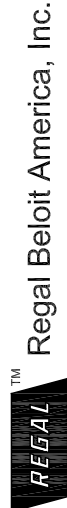
OPTIONAL CORD
CONNECTION

- L1 — WHITE
- L2 — RED
- L3 — BLACK

REF.
WINDING DIAGRAM

T8Y, T2Y, T2BL, T4BX, T2EC, T2G
T6BZ, T2B, T6BL, T4AV, T6B, T4B

5		CHG TO REGAL LOGO	SL	09/10/2015	AB	TOLERANCES UNLESS SPECIFIED		DRAWN RM 11/20/1990	
4		REVISED IEC NOTATIONS	MSG	11/15/2011	CMN.X	INCHES		CHK	ML 11/21/1990
3		ADDED IEC NOTATIONS... (U1), (V1) ETC.	MSG	5/10/2010	MJS.XX	±.1		APPD	SAS 04/24/2003
2		ADDED THE OPTIONAL CORD CONNECTION	RDH	04/24/2003	DRS.XXX	±.02		SCALE	1=1
1		REDRAWN	RM	11/20/1990	.XXXX	±.0005		REF	
NO.		REVISION	BY & DATE		CHK	ANG		FMF	
		THIS DRAWING IN DESIGN AND DETAIL IS OUR PROPERTY AND MUST NOT BE USED EXCEPT IN CONNECTION WITH OUR WORK ALL RIGHTS OF DESIGN AND INVENTION ARE RESERVED THIS IS AN ELECTRONICALLY GENERATED DOCUMENT - DO NOT SCALE THIS PRINT		RFP	DIST		WP	PREV	
				SIZE		DRAWING NO.		PAGE	OF
				A		EE7308		5	5



TITLE CONNECTION DIAGRAM
3φ - DUAL VOLTAGE MOTOR

CERTIFICATION DATA SHEET

Model#: 145TTC6026 AA
 CONN. DIAGRAM: EE7308
 OUTLINE: SS620599

WINDING#: CHT145040001 NONE 2
 ASSEMBLY: F1/F2 CAPABLE

TYPICAL MOTOR PERFORMANCE DATA

HP	KW	SYNC. RPM	F.L. RPM	FRAME	ENCLOSURE	KVA CODE	DESIGN	
1.1/2&1	1.12&.75	1800	1740&1452	145T	TENV	L	B	
PH	Hz	VOLTS	START TYPE	DUTY	INSL	S.F	AMB°C	ELEVATION
3	60/50	230/460/490/380	ACROSS THE LINE	CONTINUOUS	F2	1.15/1.15	40	3300
FULL LOAD EFF: 86.5&84	3/4 LOAD EFF: 86.5	1/2 LOAD EFF: 84	GTD. EFF	ELEC. TYPE	NO LOAD AMPS			
FULL LOAD PF: 83&80.5	3/4 LOAD PF: 78	1/2 LOAD PF: 66	85.5	SO CAGE IND RUN	1.9 / 1			
F.L. TORQUE	LOCKED ROTOR AMPS	L.R. TORQUE	B.D. TORQUE	F.L. RISE°C				
4.5 LB-FT	35 / 17.5	14.6 LB-FT 320	17.5 LB-FT 385	65				
SOUND PRESSURE @ 3 FT.	SOUND POWER	ROTOR WK*2	MAX. WK*2	SAFE STALL TIME	STARTS /HOUR	APPROX. MOTOR WGT		
62 dBA	72 dBA	- LB-FT*2	- LB-FT*2	20 SEC.	2	- LBS.		

*** SUPPLEMENTAL INFORMATION ***

DE BRACKET TYPE	ODE BRACKET TYPE	MOUNT TYPE	ORIENTATION	SEVERE DUTY	HAZARDOUS LOCATION	DRIP COVER	SCREENS	PAINT
STANDARD	STANDARD	RIGID	HORIZONTAL	FALSE	NONE	FALSE	NONE	BLUE (ENAMEL)
BEARINGS	GREASE	SHAFT TYPE	SPECIAL DE	SPECIAL ODE	SHAFT MATERIAL	FRAME MATERIAL		
DE	OPE	T	NONE	NONE	AISI 1045 (C-240)	CAST IRON		
BALL 6205	POLYREX EM 6203							
THERMOSTATS	PROTECTORS	WDG RTDs	BRG RTDs	CONTROL	SPACE IN HEATERS			
NONE	NOT	NONE	NONE	FALSE	NONE VOLTS			

If Inverter equals NONE, contact factory for further information

INVERTER TORQUE: NONE
INV. HP SPEED RANGE: NONE
ENCODER: NONE
NONE NONE
NONE NONE PPR
BRAKE: NONE NONE
NONE P/N NONE
NONE NONE
NONE FT-LB NONE V
NONE HZ

*
N
O
T
E
S
*

DATE: 06/23/2017 06:57:22 AM
 FORM 3531 REV.3 02/07/99
 ** Subject to change without notice.

Data Sheet

Date: 19-06-2017
 Customer: _____
 Attention: _____
 Submitted by: FAREEDA DUDEKULA

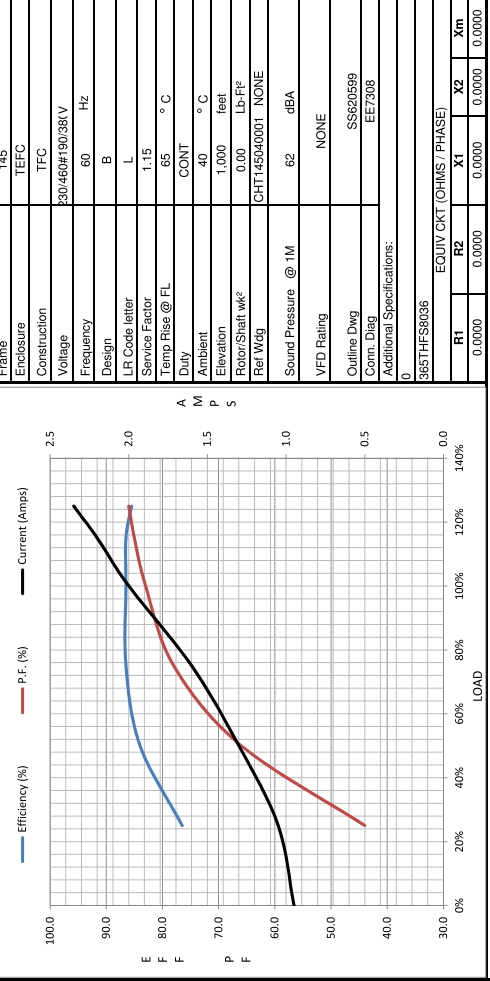
1451TFC8026

Submittal
 Data @ 460 V



Load	Motor Load Data					
	0%	25%	50%	75%	100%	LR
Current (Amps)	0.95	1.05	1.30	1.60	2.00	2.35
Torque (ft-lb)	0.00	1.10	2.20	3.4	4.5	5.7
RPM	1800	1785	1770	1756	1740	1725
Efficiency (%)		76.5	84.0	86.5	88.5	85.5
P.F. (%)	9.0	44.0	66.0	78.0	83.0	86.0

Motor Speed Data			
LR	Pull-Up	BD	Rated
0	900	1650	1740
Speed (RPM)	17.5	15.0	2.00
Current (Amps)	14.6	12.0	4.5
Torque (ft-lb)		17.5	4.5



Information Block				
HP	1.5			
Sync. RPM	1800			
Frame	145			
Enclosure	TEFC			
Construction	TFC			
Voltage	230/460#190/384V			
Frequency	60 Hz			
Design	B			
LR Code letter	L			
Service Factor	1-15			
Temp Rise @ FL	65 ° C			
Duty	CONT			
Ambient	40 ° C			
Elevation	1,000 feet			
Factor/Shaft wk?	0.00 LB-Ft			
Ref Wdg	CHT145040001 NONE			
Sound Pressure @ 1M	62 dBA			
VFD Rating	NONE			
Outline Dwg	SS620589			
Conn. Diag	EE7308			
Additional Specifications:	0			
	365TFC8036			
	EQUIV CKT (OHMS / PHASE)			
R1	R2	X1	X2	Xm
0.0000	0.0000	0.0000	0.0000	0.0000

