

PRODUCT INFORMATION PACKET

marathon[®]
Motors

Model No: 324TTDBD6026
Catalog No: GT0073
40,1800,DP,324T,3/60/230/460
Open Drip Proof (ODP)



Regal and Marathon are trademarks of Regal Beloit Corporation or one of its affiliated companies.
©2018 Regal Beloit Corporation, All Rights Reserved. MC017097E

REGAL



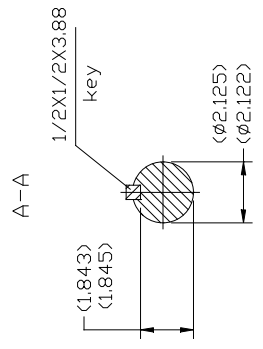
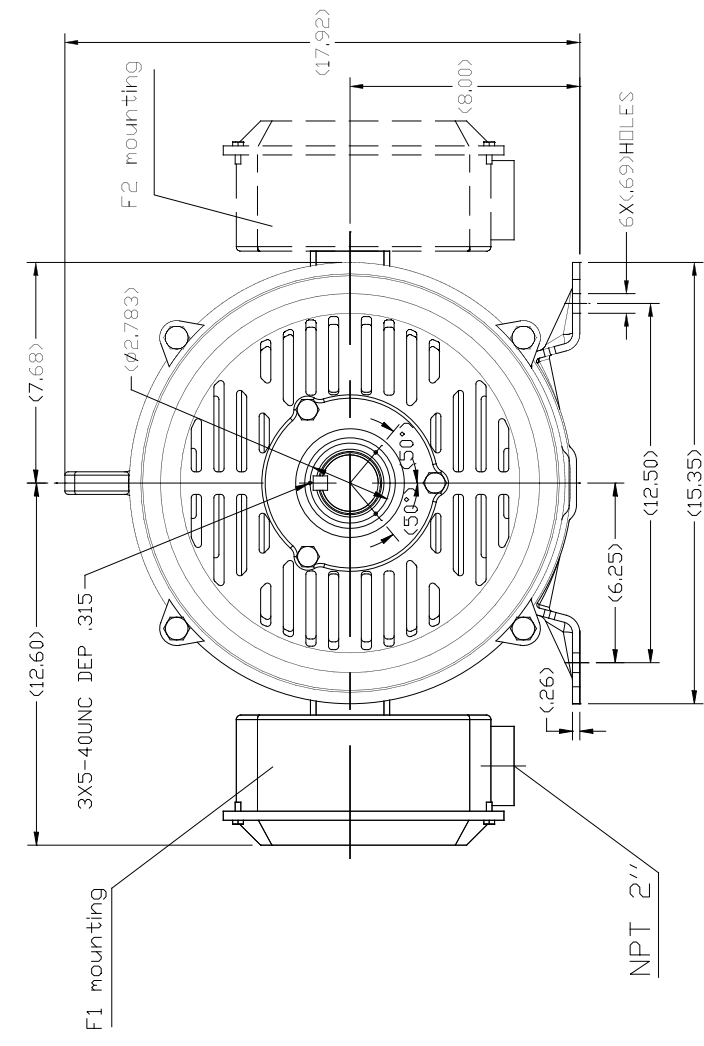
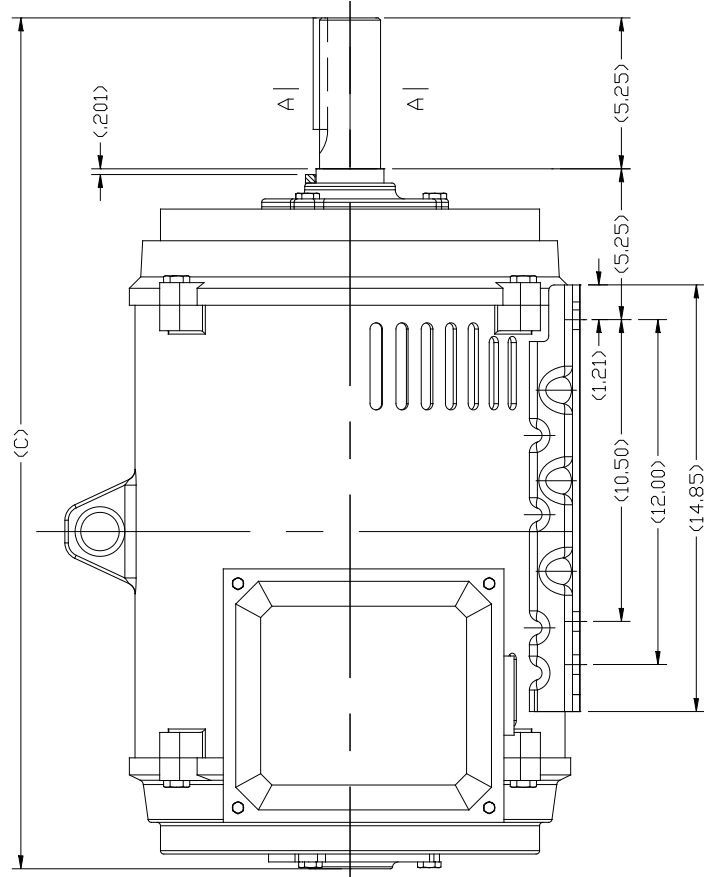
Nameplate Specifications

Output HP	40 Hp	Output KW	30.0 kW
Frequency	60 Hz	Voltage	230/460 V
Current	95.5/48.0 A	Speed	1780 rpm
Service Factor	1.15	Phase	3
Efficiency	94.1 %	Duty	Continuous
Insulation Class	F	Design Code	B
KVA Code	G	Frame	324T
Enclosure	Drip Proof	Overload Protector	No
Ambient Temperature	40 °C	Drive End Bearing Size	6312
Opp Drive End Bearing Size	6311	UL	Recognized
CSA	Y	CE	Y
IP Code	22		

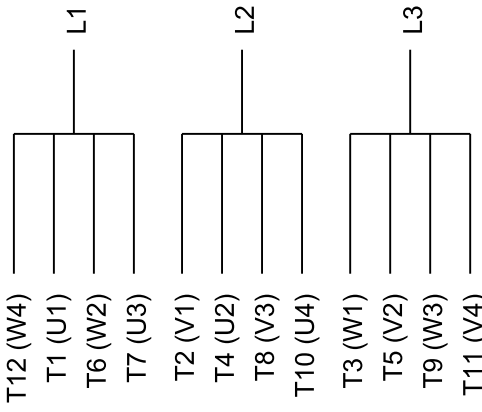
Technical Specifications

Electrical Type	Squirrel Cage Inverter Rated	Starting Method	Part Wdg Start & Wye Start Delta Run Or Inverter
Poles	4	Rotation	Reversible
Mounting	Rigid base	Motor Orientation	Horizontal
Drive End Bearing	Ball	Opp Drive End Bearing	Ball
Frame Material	Rolled Steel	Shaft Type	T
Overall Length	28.55 in	Shaft Diameter	2.125 in
Shaft Extension	5.25 in	Assembly/Box Mounting	F1/F2 Capable
Outline Drawing	SS620746-324T	Connection Diagram	EE7308AA

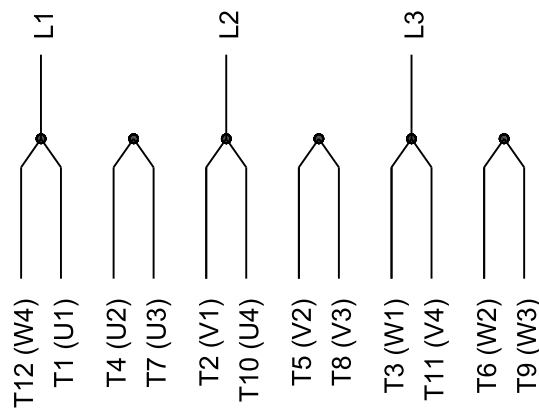
This is an uncontrolled document once printed or downloaded and is subject to change without notice. Date Created: 06/29/2018



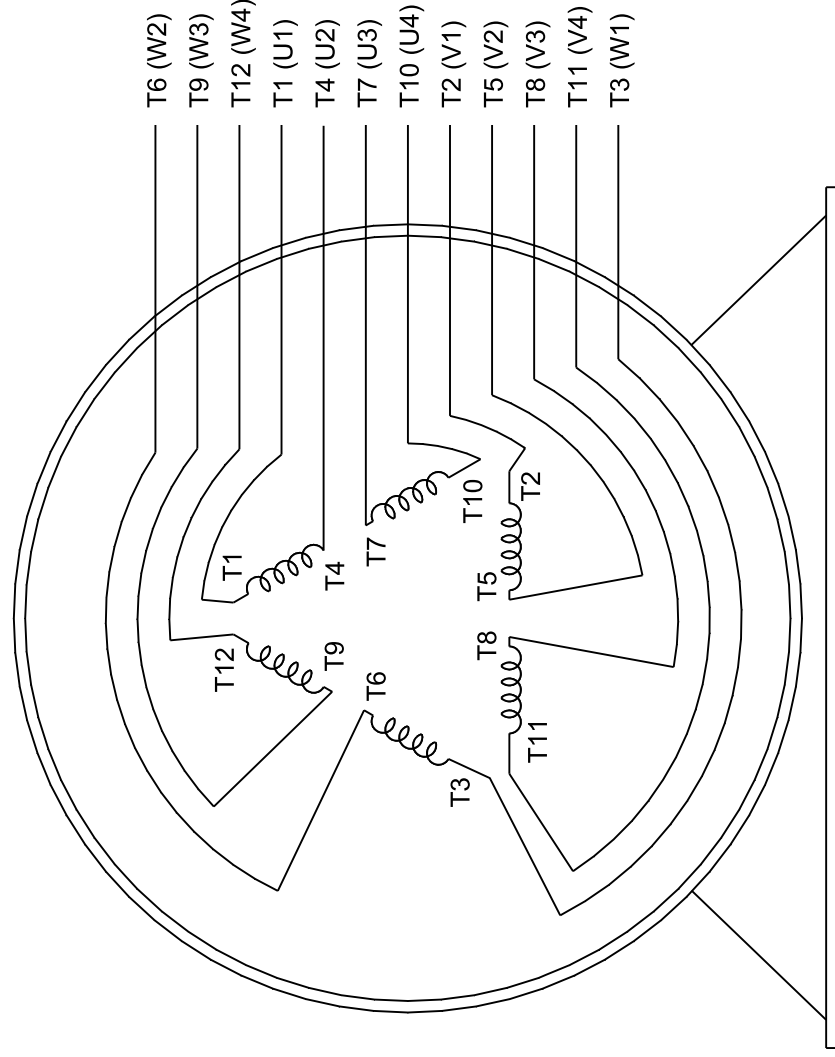
TOLERANCES UNLESS SPECIFIED		REGAL REGAL-BELOT CORPORATION	
DEC.	INCHES	CHK	APPR
X	±.1		
XX	±.03		
XXX	±.005		
XXXX	±.0005		
NO.	REVISION	BY & DATE	CHK
THIS DRAWING IN DESIGN AND DETAIL IS OUR PROPERTY AND MUST NOT BE USED EXCEPT IN CONNECTION WITH OUR WORK. ALL RIGHTS OF DESIGN AND INVENTION ARE RESERVED. THIS IS AN ELECTRONICALLY GENERATED DOCUMENT - DO NOT SCALE THIS PRINT			
324T	28.55	FRAME	C
326T	29.73		
SCALE	1:1	TITLE	OUTLINE
REF		MATL	324/326T ODP-ROLLED STEEL
FIN	REGAL-WDXT	FINISH	
PREV		CAD FILE	SS620746
REV.	SS620746	SIZE	B
		DRAWING NO.	SS620746
		REV.	2



LOW VOLTAGE



HIGH VOLTAGE



VIEW OF TERMINAL END

DRAWING REVISION		REVISION BY	DATE	DRAWN BY		DATE		APPROVED BY		DATE		REFERENCE		THIRD ANGLE PROJECTION		SIZE		DRAWING NUMBER		PROCESS/FINISH	
ECO	K	AJW	07-17-2015	LZ	01-12-1994	GK	01-14-1994										A	EE7308AA			
ECO-0081632		T. VJUE	07-17-2015	REGAL		Regal Beloit America, Inc.		DESCRIPTION		CONN DIAGRAM-EXTERNAL		3Ø-2/1 DELTA-12 LEADS		MATERIAL						SHEET 1 OF 1	
<p>REV'D IEC MARKINGS PER IEC 60034-8 <small>COPYRIGHT REGAL BELOIT AMERICA, INC. ALL RIGHTS RESERVED. REGAL BELOIT AMERICA, INC. ("OWNER") AND CONTAINS OWNERS PROPRIETARY INFORMATION. ANY PERSON, CORPORATION OR OTHER FIRM RECEIVING IT IS DEEMED BY RECEIVING IT, TO AGREE THAT IT, AND/OR ANY PART OF IT, SHALL NOT BE DISCLOSED TO ANY PERSON, CORPORATION OR OTHER ENTITY, DUPLICATED, AND/OR USED, EXCEPT AS EXPRESSLY APPROVED IN WRITING IN ADVANCE BY OWNER. THIS DOCUMENT SHALL BE RETURNED TO OWNER UPON REQUEST. IT MAY BE SUBJECT TO CERTAIN RESTRICTIONS UNDER APPLICABLE EXPORT CONTROL LAWS AND REGULATIONS.</small></p>																					

CERTIFICATION DATA SHEET

Model#: 324TTDDBD6026 AA
 CONN. DIAGRAM: EE7308AA
 OUTLINE: SS620746

WINDING#: HE32004011 NONE 2
 ASSEMBLY: F1/F2 CAPABLE

TYPICAL MOTOR PERFORMANCE DATA

HP	KW	SYNC. RPM	F.L. RPM	FRAME	ENCLOSURE	KVA CODE	DESIGN				
40&30	30&22.4	1800	1780&1482	324T	DP	G	B				
PH	HZ	VOLTS	FL AMPS	START TYPE	DUTY	INSL	S.F	AMB°C	ELEVATION		
3	60/50	230/460/190/380	95.5/48&9/145	PWS & YDRUN OR INV	CONTINUOUS	F7	1.15/1.15	40	3300		
FULL LOAD EFF: 94.1&93.9		3/4 LOAD EFF: 94.1		1/2 LOAD EFF: 94.1		GTD. EFF		ELEC. TYPE		NO LOAD AMPS	
FULL LOAD PF: 83&82.5		3/4 LOAD PF: 78.5		1/2 LOAD PF: 68		93.6		SQ CAGE INV/RATED		41 / 20.5	
F.L. TORQUE	LOCKED ROTOR AMPS	L.R. TORQUE	B.D. TORQUE	F.L. RISE°C							
118 LB-FT	570 / 285	207 LB-FT 175	289 LB-FT 245	30							
SOUND PRESSURE @ 3 FT.	SOUND POWER	ROTOR WK*2	MAX. WK*2	SAFE STALL TIME	STARTS / HOUR	APPROX. MOTOR WGT					
75 dBA	85 dBA	9.5 LB-FT*2	- LB-FT*2	20 SEC.	2	575 LBS.					

*** SUPPLEMENTAL INFORMATION ***

DE BRACKET TYPE	ODE BRACKET TYPE	MOUNT TYPE	ORIENTATION	SEVERE DUTY	HAZARDOUS LOCATION	DRIP COVER	SCREENS	PAINT
STANDARD	STANDARD	RIGID	HORIZONTAL	FALSE	NONE	FALSE	NONE	BLUE (ENAMEL)
BEARINGS	GREASE	SHAFT TYPE	SPECIAL DE	SPECIAL ODE	SHAFT MATERIAL	FRAME MATERIAL		
DE BALL 6312	POLYREX EM 6311	T	NONE	NONE	1045 HOT ROLLED (C-204)	ROLLED STEEL		
HERMISTATS	HERMISTATS	WDG RTDs	BRG RTDs	CONTROL	SPACE in HEATERS			
NONE	NOT	NONE	NONE	NONE	FALSE	NONE	VOLTS	

If Inverter equals NONE, contact factory for further information

INVERTER TORQUE: VARIABLE 10:1
INV. HP SPEED RANGE: NONE
ENCODER: NONE
NONE NONE
NONE NONE PPR
BRAKE: NONE NONE
NONE P/N NONE
NONE NONE
NONE FT-LB NONE V
NONE HZ

** Subject to change without notice.