

## PRODUCT INFORMATION PACKET

**marathon**<sup>®</sup>  
Motors

Model No: 284TTDBD6026  
Catalog No: GT0065  
25,1800,DP,284T,3/60/230/460  
Open Drip Proof (ODP)



Regal and Marathon are trademarks of Regal Beloit Corporation or one of its affiliated companies.  
©2018 Regal Beloit Corporation, All Rights Reserved. MC017097E

**REGAL**



**Nameplate Specifications**

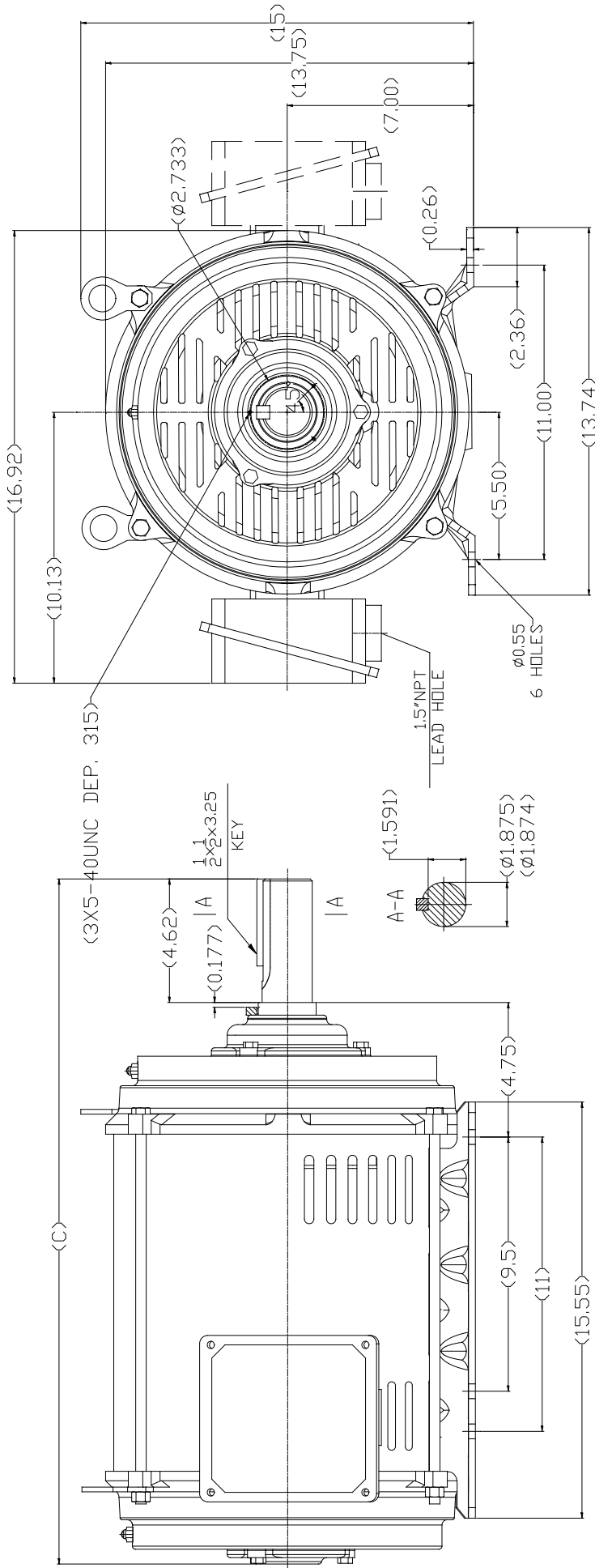
Output HP	25 Hp	Output KW	18.7 kW
Frequency	60 Hz	Voltage	230/460 V
Current	62.0/31.0 A	Speed	1775 rpm
Service Factor	1.15	Phase	3
Efficiency	93.6 %	Duty	Continuous
Insulation Class	F	Design Code	B
KVA Code	G	Frame	284T
Enclosure	Drip Proof	Overload Protector	No
Ambient Temperature	40 °C	Drive End Bearing Size	6311
Opp Drive End Bearing Size	6210	UL	Recognized
CSA	Y	CE	Y
IP Code	22		

**Technical Specifications**

Electrical Type	Squirrel Cage Inverter Rated	Starting Method	Wye Start Delta Run Or Inverter
Poles	4	Rotation	Reversible
Mounting	Rigid base	Motor Orientation	Horizontal
Drive End Bearing	Ball	Opp Drive End Bearing	Ball
Frame Material	Rolled Steel	Shaft Type	T
Overall Length	25.71 in	Shaft Diameter	1.875 in
Shaft Extension	4.62 in	Assembly/Box Mounting	F1 Only
Outline Drawing	B-SS620687	Connection Diagram	A-EE7308AA

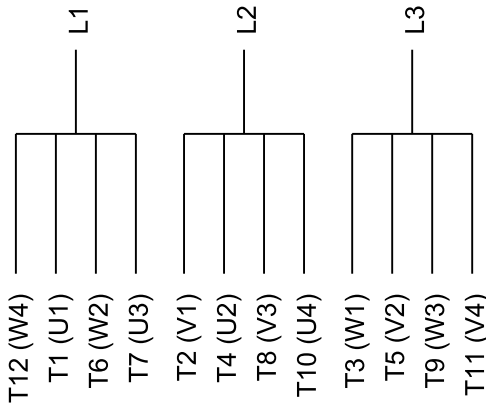
This is an uncontrolled document once printed or downloaded and is subject to change without notice. Date Created: 07/02/2018

SS620687

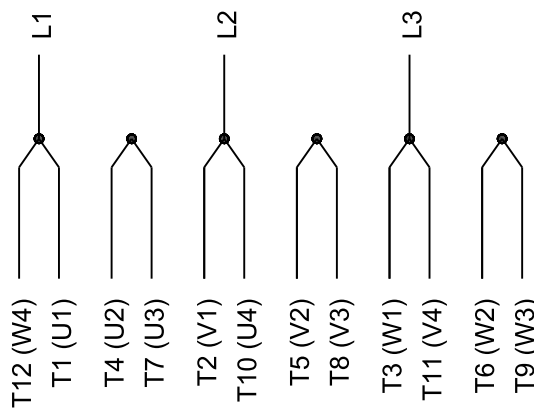


NO.	REVISION	BY & DATE	CHK	ANG	FINISH	MAT'L	CAD FILE	SIZE	DRAWING NO.	PAGE	OF	REV.	UNLESS SPECIFIED			DRAWN		
													DEC.	TOLERANCES	INCHES	CHK	APPD	SCALE
			X	±.1									REGAL	Xicowel	Zhu			
			XX	±.03									REGAL-BELOIT CORPORATION					
			XXX	±.005									OUTLINE					
			XXXX	±.0005									284/286 T FR.-DDP-ROLLED STEEL					
284 T	25.71	YES																
286 T	27.09	YES																
FRAME	C	F1/F2																

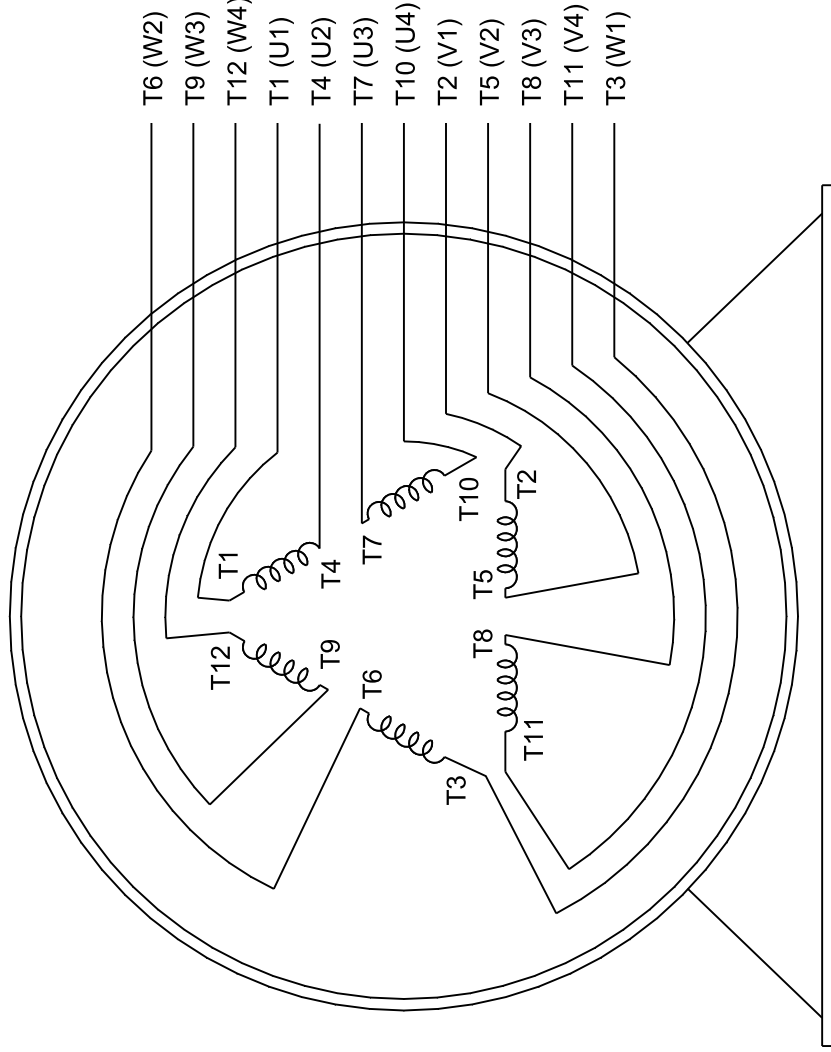
284 T	25.71	YES
286 T	27.09	YES
FRAME	C	F1/F2



LOW VOLTAGE




HIGH VOLTAGE



VIEW OF TERMINAL END

DRAWING REVISION K	REVISION BY AJW	DATE 07-17-2015
ECO ECO-0081632	APPROVED BY T. VJUE	DATE 07-17-2015
ECO DESCRIPTION <b>REV'D IEC MARKINGS PER IEC 60034-8</b> COPYRIGHT REGAL BELOIT AMERICA, INC. ALL RIGHTS RESERVED. PROPRIETARY AND CONFIDENTIAL INFORMATION - THIS DOCUMENT IS THE PROPERTY OF REGAL BELOIT AMERICA, INC. ("OWNER") AND CONTAINS OWNER'S PROPRIETARY INFORMATION. ANY PERSON, CORPORATION OR OTHER FIRM RECEIVING IT IS DEEMED BY RECEIVING IT, TO AGREE THAT IT, AND/OR ANY PART OF IT, SHALL NOT BE DISCLOSED TO ANY PERSON, CORPORATION OR OTHER ENTITY, DUPLICATED, AND/OR USED, EXCEPT AS EXPRESSLY APPROVED IN WRITING IN ADVANCE BY OWNER. THIS DOCUMENT SHALL BE RETURNED TO OWNER UPON REQUEST. IT MAY BE SUBJECT TO CERTAIN RESTRICTIONS UNDER APPLICABLE EXPORT CONTROL LAWS AND REGULATIONS.		

DRAWN BY LZ		 Regal Beloit America, Inc.
DATE 01-12-1994	APPROVED BY GK	
DATE 01-14-1994	REFERENCE	
THIRD ANGLE PROJECTION		
DESCRIPTION <b>CONN DIAGRAM-EXTERNAL</b> 3Ø-2/1 DELTA-12 LEADS		PROCESS/FINISH
MATERIAL		SIZE A
DRAWING NUMBER <b>EE7308AA</b>		SHEET 1 OF 1

CERTIFICATION DATA SHEET

**Model#:** 284TTDDBD6026 AA      **WINDING#:** HE31804012 NONE 2  
**CONN. DIAGRAM:** A-EE7308AA      **ASSEMBLY:** F1 ONLY  
**OUTLINE:** B-SS620687

TYPICAL MOTOR PERFORMANCE DATA

<b>HP</b> 25&20	<b>KW</b> 18.7&14.9	<b>SYNC. RPM</b> 1800	<b>F.L. RPM</b> 1775&1475	<b>FRAME</b> 284T	<b>ENCLOSURE</b> DP	<b>KVA CODE</b> G	<b>DESIGN</b> B	
<b>PH</b> 3	<b>Hz</b> 60/50	<b>VOLTS</b> 230/460#190/ 380	<b>START TYPE</b> Y START D RUN OR INV S	<b>DUTY</b> CONTINUOU S	<b>INSL</b> F7	<b>S.F</b> 1.15/1.15	<b>AMB°C</b> 40	<b>ELEVATION</b> 3300
<b>FULL LOAD EFF:</b> 93.6&93	<b>3/4 LOAD EFF:</b> 93.6	<b>1/2 LOAD EFF:</b> 92.4	<b>GTD. EFF</b>	<b>ELEC. TYPE</b>	<b>NO LOAD AMPS</b>			
<b>FULL LOAD PF:</b> 81.5&82	<b>3/4 LOAD PF:</b> 76	<b>1/2 LOAD PF:</b> 65	<b>93</b>	<b>SQ CAGE INV/RATED</b>	<b>29 / 14.5</b>			
<b>F.L. TORQUE</b> 74 LB-FT	<b>LOCKED ROTOR AMPS</b> 362 / 181	<b>L.R. TORQUE</b> 142 LB-FT.192	<b>B.D. TORQUE</b> 167 LB-FT.225	<b>F.L. RISE°C</b> 37				
<b>SOUND PRESSURE</b> @ 3 FT. 75 dBA	<b>SOUND POWER</b> 85 dBA	<b>ROTOR WK*2</b> 4.2 LB-FT*2	<b>MAX. WK*2</b> 150 LB-FT*2	<b>SAFE STALL TIME</b> 20 SEC.	<b>STARTS</b> /HOUR 2	<b>APPROX. MOTOR</b> <b>WGT</b> 350 LBS.		

\*\*\* SUPPLEMENTAL INFORMATION \*\*\*

<b>DE BRACKET</b> TYPE STANDARD	<b>ODE BRACKET</b> TYPE STANDARD	<b>MOUNT</b> TYPE RIGID	<b>ORIENTATION</b> HORIZONTAL	<b>SEVERE</b> DUTY FALSE	<b>HAZARDOUS</b> LOCATION NONE	<b>DRIP</b> COVER FALSE	<b>SCREENS</b> NONE	<b>PAINT</b> BLUE (ENAMEL)
<b>BEARINGS</b> DE BALL 6311	<b>OPE</b> BALL 6210	<b>GREASE</b> POLYREX EM	<b>SHAFT TYPE</b> T	<b>SPECIAL DE</b> NONE	<b>SPECIAL ODE</b> NONE	<b>SHAFT</b> MATERIAL 1045 HOT ROLLED (C-204)	<b>FRAME</b> MATERIAL ROLLED STEEL	
<b>THERMOSTATS</b> NONE	<b>PROTECTORS</b> NOT	<b>WDG RTDs</b> NONE	<b>BRG RTDs</b> NONE	<b>THERMISTORS</b> NONE	<b>CONTROL</b> FALSE	<b>SPACE in HEATERS</b> NONE VOLTS		

If Inverter equals NONE, contact factory for further information

<b>INVERTER TORQUE:</b> VARIABLE 10:1
<b>INV. HP SPEED RANGE:</b> NONE
<b>ENCODER:</b> NONE
<b>NONE</b> NONE
<b>NONE</b> NONE PPR
<b>BRAKE:</b> NONE NONE
<b>NONE</b> P/N NONE
<b>NONE</b> NONE
<b>NONE</b> FT-LB NONE V
<b>NONE</b> HZ

\* N  
O  
T  
E  
S \*

Data Sheet

Date: 6/19/2017

Customer: \_\_\_\_\_

Attention: \_\_\_\_\_

Submitted by: FAREEDA DUDEKULA



284TTDBD6026

Submittal

Data @ 460 V

Motor Load Data

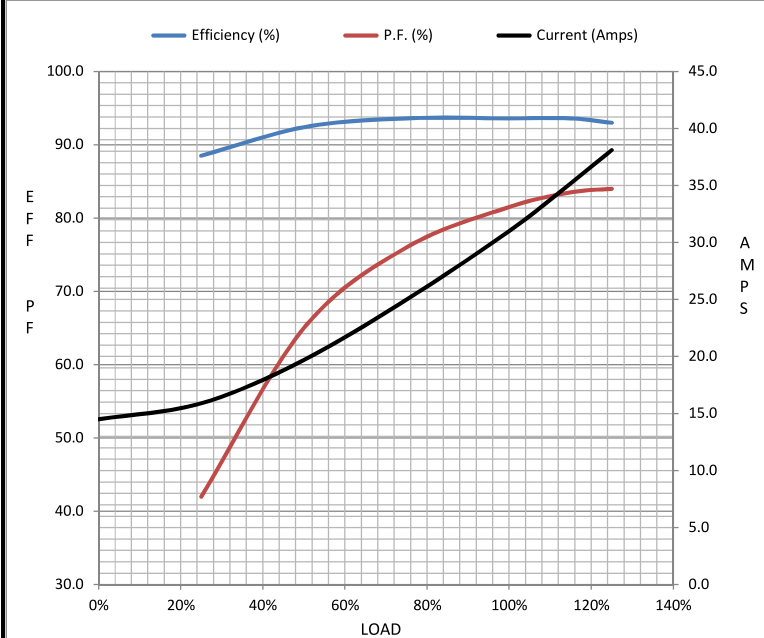
Load	0%	25%	50%	75%	100%	115%	125%	LR
Current (Amps)	14.5	15.9	19.7	25.0	31.0	35.2	38.1	181
Torque (ft-lb)	0.00	18.3	36.7	55.2	74.0	85.0	92.8	142
RPM	1800	1795	1788	1782	1775	1,770	1768	0
Efficiency (%)		88.5	92.4	93.6	93.6	93.6	93.0	
P.F. (%)	4.5	42.0	65.0	76.0	81.5	83.5	84.0	38.0

Motor Speed Data

	LR	Pull-Up	BD	Rated	Idle
Speed (RPM)	0	900	1645	1775	1800
Current (Amps)	181	148	110	31.0	14.5
Torque (ft-lb)	142	118	167	74.0	0.00

Information Block

HP	25.0			
Sync. RPM	1800			
Frame	284			
Enclosure	DP			
Construction	TDC			
Voltage	30/460#190/381 V			
Frequency	60 Hz			
Design	B			
LR Code letter	G			
Service Factor	1.15			
Temp Rise @ FL	37 °C			
Duty	CONT			
Ambient	40 °C			
Elevation	1,000 feet			
Rotor/Shaft wk <sup>2</sup>	4.2 Lb-Ft <sup>2</sup>			
Ref Wdg	HE31804012 NONE			
Sound Pressure @ 1M	75 dBA			
VFD Rating	VARIABLE 10:1			
Outline Dwg	B-SS620687			
Conn. Diag	A-EE7308AA			
Additional Specifications:				
0				
0				
EQUIV CKT (OHMS / PHASE)				
R1	R2	X1	X2	Xm
0.2270	0.1320	0.8740	1.0100	18.9460



Speed - Torque Curve

