

PRODUCT INFORMATION PACKET

marathon®
Motors

Model No: 213TTDBD6026
Catalog No: GT0016A
7 1/2, 1800, DP, 213T, 3/60/230/460
Open Drip Proof (ODP)



Regal and Marathon are trademarks of Regal Beloit Corporation or one of its affiliated companies.
©2018 Regal Beloit Corporation, All Rights Reserved. MC017097E

REGAL



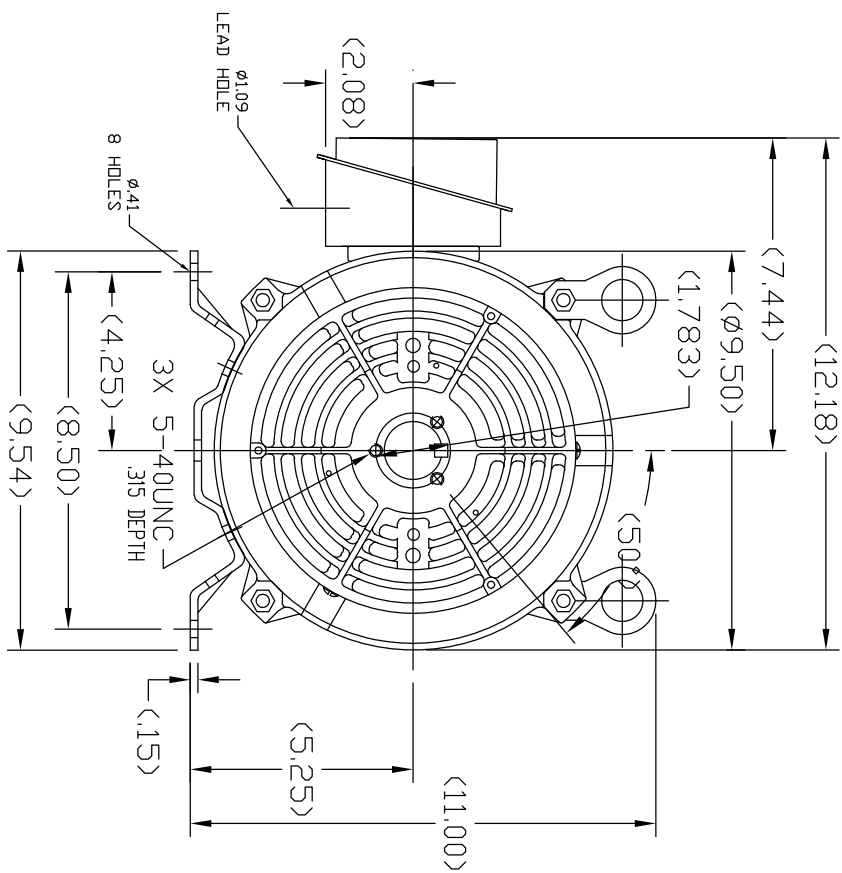
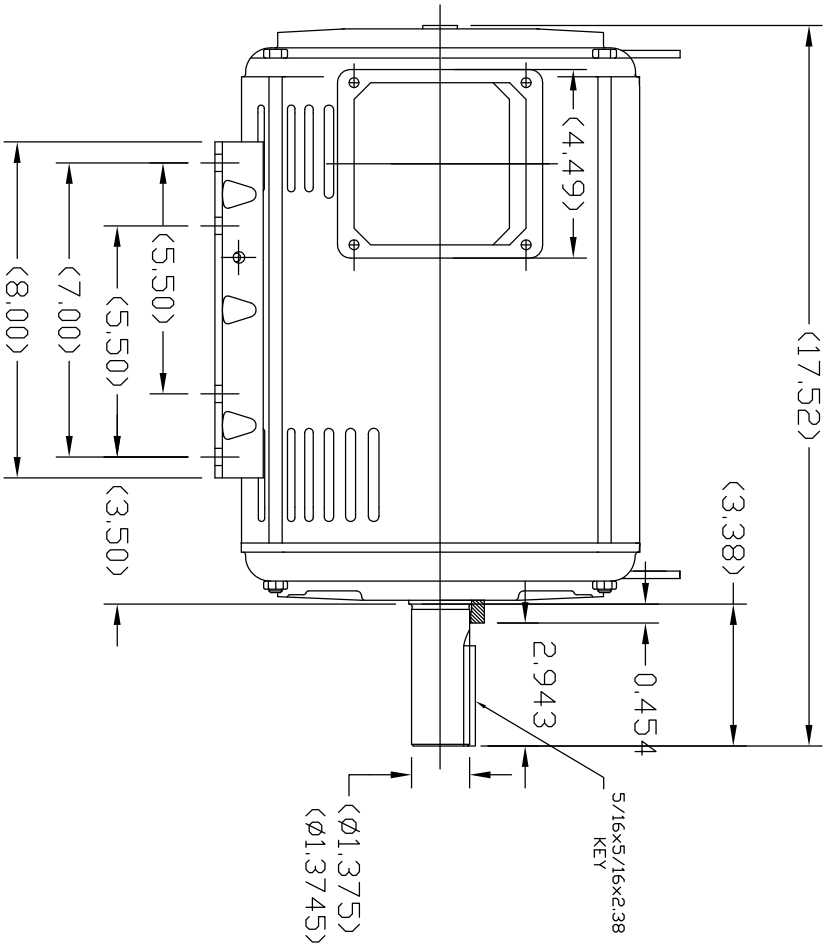
Nameplate Specifications

Output HP	7.50 Hp	Output KW	5.6 kW
Frequency	60 Hz	Voltage	230/460 V
Current	19.8/9.9 A	Speed	1766 rpm
Service Factor	1.15	Phase	3
Efficiency	91 %	Duty	Continuous
Insulation Class	F	Design Code	B
KVA Code	H	Frame	213T
Enclosure	Drip Proof	Overload Protector	No
Ambient Temperature	40 °C	Drive End Bearing Size	6307
Opp Drive End Bearing Size	6206	UL	Recognized
CSA	Y	CE	Y
IP Code	22		

Technical Specifications

Electrical Type	Squirrel Cage Inverter Rated	Starting Method	Line Or Inverter
Poles	4	Rotation	Reversible
Mounting	Rigid base	Motor Orientation	Horizontal
Drive End Bearing	Ball	Opp Drive End Bearing	Ball
Frame Material	Rolled Steel	Shaft Type	T
Overall Length	17.52 in	Shaft Diameter	1.375 in
Shaft Extension	3.38 in	Assembly/Box Mounting	F1/F2 Capable
Outline Drawing	SS620684	Connection Diagram	A-EE7308

This is an uncontrolled document once printed or downloaded and is subject to change without notice. Date Created: 07/02/2018



(MAY NOT BE DRAWN TO SCALE)

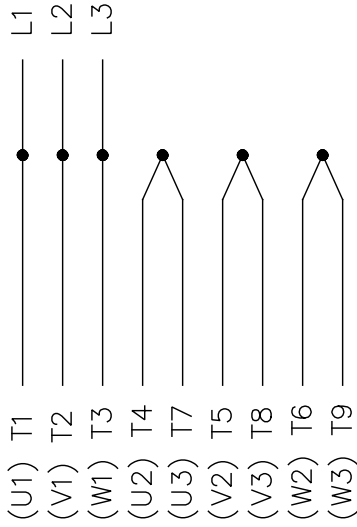
SS620684

TOLERANCES UNLESS SPECIFIED		DEC. INCHES		TITLE		DRAWN ZW 04-16-2015	
±.1	X	±.03	XX	DUTLINE	CHK	APPD	CHK 2L 04-16-2015
±.005	XXX	±.005	XXX	213/21ST DPP-ROLLED STEEL	CAD FILE		APPD ZYH 04-16-2015
±.0005	XXXX	±.0005	XXXX				
REVISION				BY & DATE			
NO.		CHK	ANG	FINISH	SS620684	SIZE DRAWING NO.	REV
		RFP			B	SS620684	2
THIS DRAWING IN DESIGN AND DETAIL IS OUR PROPERTY AND MUST NOT BE USED EXCEPT IN CONNECTION WITH OUR WORK. ALL RIGHTS OF DESIGN AND INVENTION ARE RESERVED. THIS IS AN ELECTRONICALLY GENERATED DOCUMENT - DO NOT SCALE THIS PRINT.							

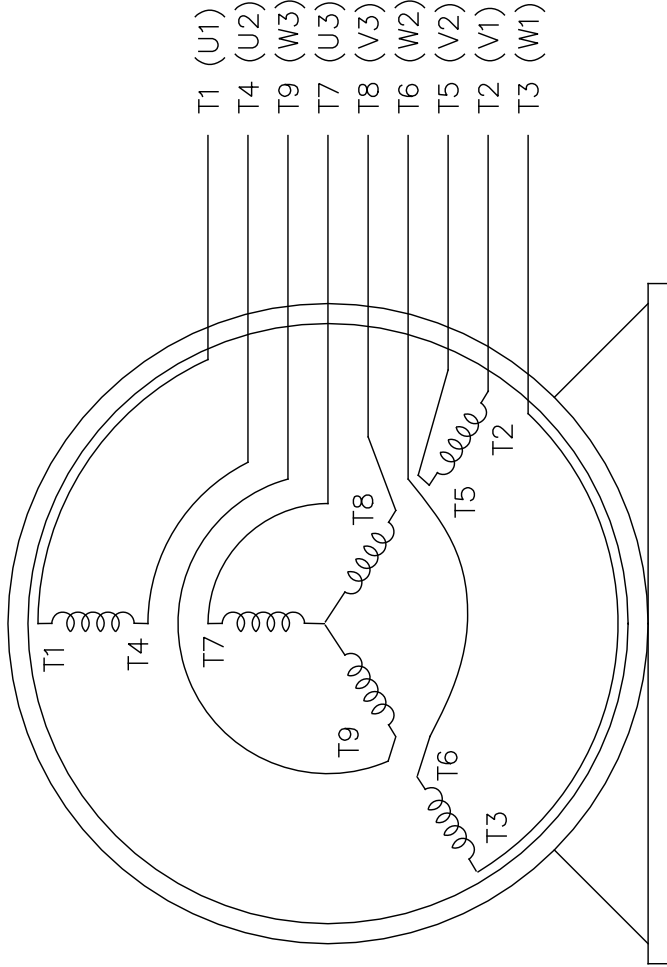
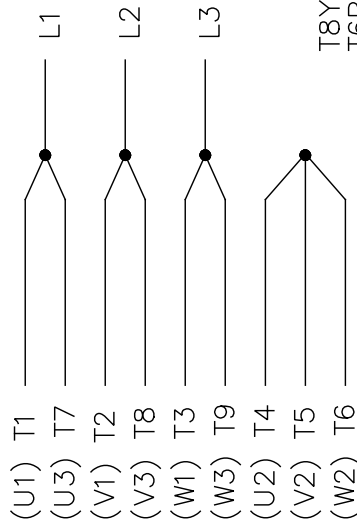
THREE PHASE
DUAL VOLTAGE MOTOR

EE7308

HIGH VOLTAGE



LOW VOLTAGE



VIEW OF TERMINAL END

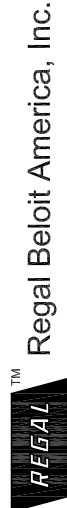
OPTIONAL CORD
CONNECTION

- L1 — WHITE
- L2 — RED
- L3 — BLACK

REF.
WINDING DIAGRAM

T8Y, T2Y, T2BL, T4BX, T2EC, T2G
T6BZ, T2B, T6BL, T4AV, T6B, T4B

CHG TO REGAL LOGO		SL	09/10/2015	AB	TOLERANCES UNLESS SPECIFIED		DRAWN RM 11/20/1990	
REVISED IEC NOTATIONS		MSG	11/15/2011	CMN.X	INCHES		CHK	ML 11/21/1990
ADDED IEC NOTATIONS... (U1), (V1) ETC. MU95194		MSG	5/10/2010	MJS.XX	±.1		APPD	SAS 04/24/2003
ADDED THE OPTIONAL CORD CONNECTION MU46318		RDH	04/24/2003	DRS.XXX	±.02		SCALE	1=1
REDRAWN		RM	11/20/1990	.XXXX ±.0005	±.005		REF	
REVISION		BY & DATE		CHK	ANG		FMF	
THIS DRAWING IN DESIGN AND DETAIL IS OUR PROPERTY AND MUST NOT BE USED EXCEPT IN CONNECTION WITH OUR WORK ALL RIGHTS OF DESIGN AND INVENTION ARE RESERVED THIS IS AN ELECTRONICALLY GENERATED DOCUMENT - DO NOT SCALE THIS PRINT		RFP		±7°30"		PREV		
DIST		WP		SIZE		DRAWING NO.		PAGE
				A		EE7308		OF
								REV.
								5



TITLE CONNECTION DIAGRAM
3φ - DUAL VOLTAGE MOTOR

CERTIFICATION DATA SHEET

Model#: 2131TIDBD6026 AA **WINDING#:** HE31324018 NONE 2
CONN. DIAGRAM: A-EE7308 **ASSEMBLY:** F1/F2 CAPABLE
OUTLINE: SS620684

TYPICAL MOTOR PERFORMANCE DATA

HP 7 1/2&5	KW 5.60&3.70	SYNC. RPM 1800	F.L. RPM 1766&1472	FRAME 213T	ENCLOSURE DP	KVA CODE H	DESIGN B			
PH 3	HZ 60/50	VOLTS 230/460/190/380	START TYPE LINE OR INVERTER	DUTY CONTINUOUS	INSL F7	S.F 1.15/1.15	AMB°C 40	ELEVATION 3300		
FULL LOAD EFF: 91&90.6		3/4 LOAD EFF: 91.5		1/2 LOAD EFF: 90		GTD. EFF		ELEC. TYPE	NO LOAD AMPS	
FULL LOAD PF: 79&75.5		3/4 LOAD PF: 72.2		1/2 LOAD PF: 60.8		90.2		SQ CAGE INV/RATED	10 / 5	
F.L. TORQUE 22.3 LB-FT		LOCKED ROTOR AMPS 120 / 60		L.R. TORQUE 44 LB-FT 197		B.D. TORQUE 57 LB-FT 256		F.L. RISE°C 40		
SOUND PRESSURE @ 3 FT. 47 dBA		SOUND POWER 57 dBA		ROTOR WK*2 9.8 LB-FT*2		MAX. WK*2 50 LB-FT*2		SAFE STALL TIME 20 SEC.	STARTS / HOUR 2	APPROX. MOTOR WGT 135 LBS.

*** SUPPLEMENTAL INFORMATION ***

DE BRACKET TYPE STANDARD	ODE BRACKET TYPE STANDARD	MOUNT TYPE RIGID	ORIENTATION HORIZONTAL	SEVERE DUTY FALSE	HAZARDOUS LOCATION NONE	DRIP COVER FALSE	SCREENS NONE	PAINT BLUE (ENAMEL)
BEARINGS		GREASE	SHAFT TYPE	SPECIAL DE	SPECIAL ODE	SHAFT MATERIAL	FRAME MATERIAL	
DE	OPE							
BALL 6307	BALL 6206	POLYREX EM	T	NONE	NONE	1045 HOT ROLLED (C-204)	ROLLED STEEL	
THERMO-PROTECTORS				THERMISTORS		SPACE in HEATERS		
THERMOSTATS NONE	PROTECTORS NOT	WDG RTDs NONE	BRG RTDs NONE	CONTROL FALSE		NONE VOLTS		

If Inverter equals NONE, contact factory for further information

INVERTER TORQUE: VARIABLE 10:1
INV. HP SPEED RANGE: NONE
ENCODER: NONE
NONE NONE
NONE NONE PPR
BRAKE: NONE NONE
NONE P/N NONE
NONE NONE
NONE FT-LB NONE V
NONE HZ

* N O T E S *

Data Sheet

Date: 6/16/2017

213TTDBD6026

Customer: _____

Attention: _____

Submitted by: EARL BABBITTS



Submittal

Data @ 460 V

Motor Load Data

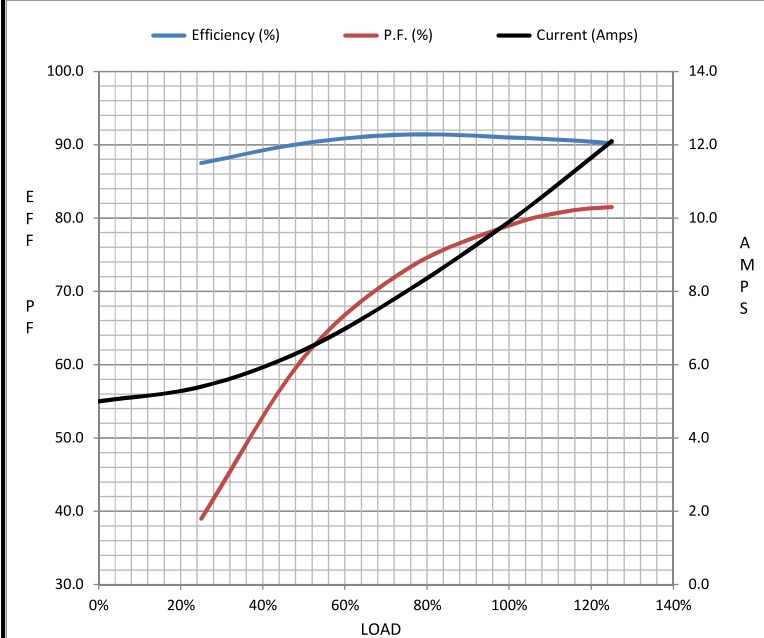
Load	0%	25%	50%	75%	100%	115%	125%	LR
Current (Amps)	5.0	5.4	6.4	8.0	9.9	11.2	12.1	60.0
Torque (ft-lb)	0.00	5.5	11.0	16.7	22.3	25.8	28.0	44.0
RPM	1800	1792	1785	1775	1766	1,760	1755	0
Efficiency (%)		87.5	90.2	91.4	91.0	90.6	90.2	
P.F. (%)	6.0	39.0	61.0	73.0	79.0	81.0	81.5	45.0

Motor Speed Data

	LR	Pull-Up	BD	Rated	Idle
Speed (RPM)	0	900	1585	1766	1800
Current (Amps)	60.0	54.0	34.0	9.9	5.0
Torque (ft-lb)	44.0	37.5	57.0	22.3	0.00

Information Block

HP	7.5			
Sync. RPM	1800			
Frame	213			
Enclosure	DP			
Construction	TDB			
Voltage	30/460#190/381 V			
Frequency	60 Hz			
Design	B			
LR Code letter	H			
Service Factor	1.15			
Temp Rise @ FL	40 °C			
Duty	CONT			
Ambient	40 °C			
Elevation	1,000 feet			
Rotor/Shaft wk ²	9.8 Lb-Ft ²			
Ref Wdg	HE31324018 NONE			
Sound Pressure @ 1M	47 dBA			
VFD Rating	VARIABLE 10:1			
Outline Dwg	SS620684			
Conn. Diag	A-EE7308			
Additional Specifications:				
0				
0				
EQUIV CKT (OHMS / PHASE)				
R1	R2	X1	X2	Xm
1.0050	0.5560	2.8800	3.1300	54.5450



Speed -Torque Curve

