

PRODUCT INFORMATION PACKET

Model No: 182TTDB6026
Catalog No: GT0010
3,1800,DP,182T,3/60/230/460
Open Drip Proof (ODP)



Regal and Marathon are trademarks of Regal Beloit Corporation or one of its affiliated companies.
©2018 Regal Beloit Corporation, All Rights Reserved. MC017097E





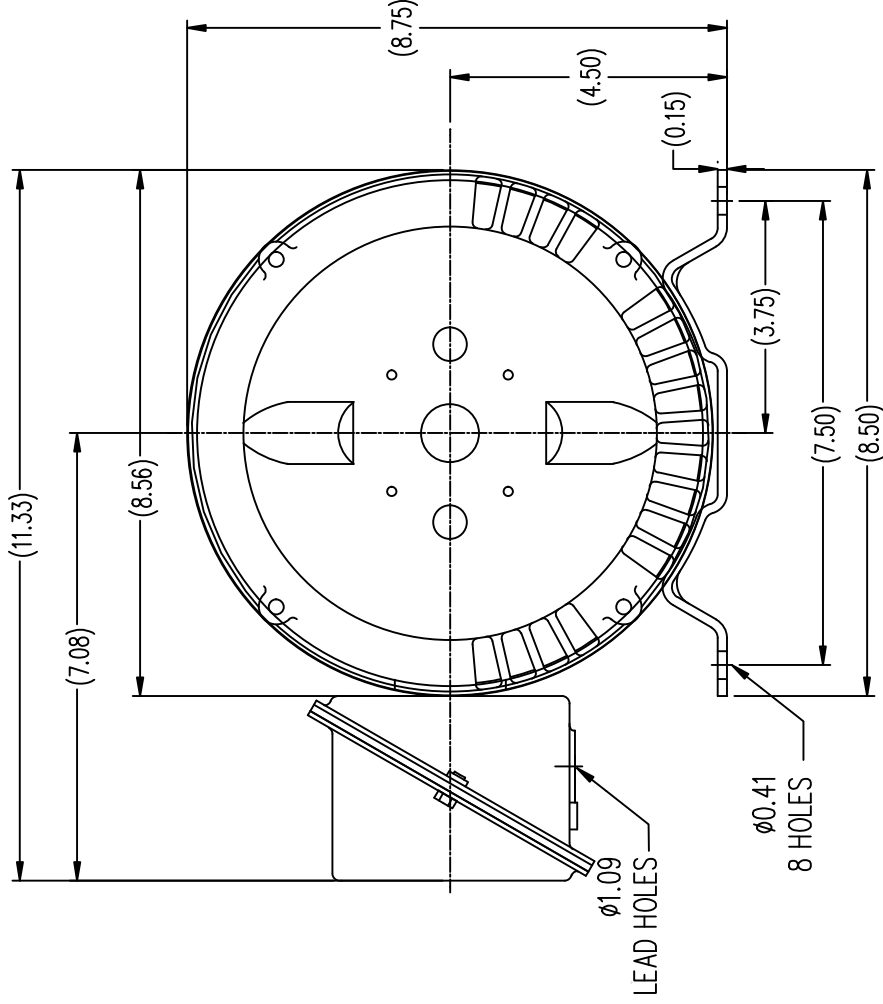
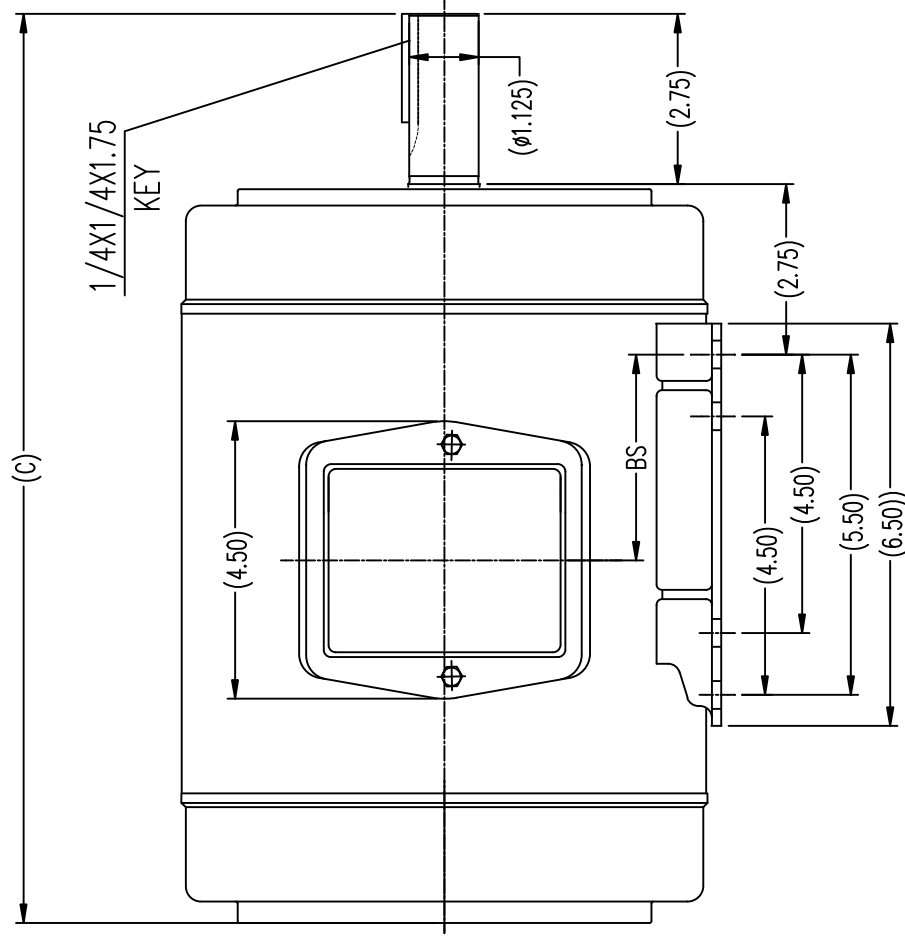
Nameplate Specifications

Output HP	3 Hp	Output KW	2.2 kW
Frequency	60 Hz	Voltage	230/460 V
Current	7.8/3.9 A	Speed	1750 rpm
Service Factor	1.15	Phase	3
Efficiency	89.5 %	Duty	Continuous
Insulation Class	F	Design Code	B
KVA Code	K	Frame	182T
Enclosure	Drip Proof	Overload Protector	No
Ambient Temperature	40 °C	Drive End Bearing Size	6206
Opp Drive End Bearing Size	6203	UL	Recognized
CSA	Y	CE	Y
IP Code	22		

Technical Specifications

Electrical Type	Squirrel Cage Inverter Rated	Starting Method	Line Or Inverter
Poles	4	Rotation	Reversible
Mounting	Rigid base	Motor Orientation	Horizontal
Drive End Bearing	Ball	Opp Drive End Bearing	Ball
Frame Material	Rolled Steel	Shaft Type	T
Overall Length	13.72 in	Shaft Diameter	1.125 in
Shaft Extension	2.75 in	Assembly/Box Mounting	F1 Only
Outline Drawing	SS620292	Connection Diagram	EE7308

This is an uncontrolled document once printed or downloaded and is subject to change without notice. Date Created: 06/29/2018



182T	13.72	2.75
184T	14.72	3.25
FRAME	C	BS

NO.	REVISION	BY & DATE	CHK	ANG	FINISH
1	CORRECTED DIMENSIONS	MOL 8/30/2011			

THIS DRAWING IN DESIGN AND DETAIL IS OUR PROPERTY AND MUST NOT BE USED EXCEPT AS AUTHORIZED BY REGAL-BELOIT CORPORATION.
THIS IS AN ELECTRONICALLY GENERATED DOCUMENT - DO NOT SCALE THIS PRINT

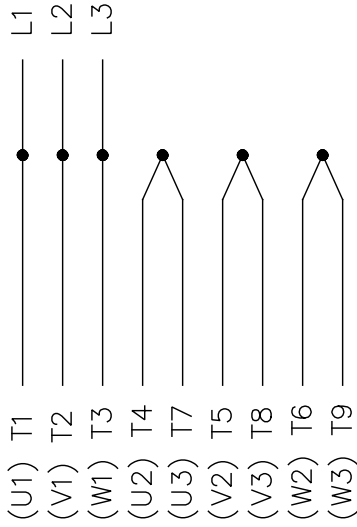
UNITS	INCHES
DEC.	±.1
X	±.03
XX	±.005
XXX	±.0005
XXXX	±.0005
ANG	±1/2°

DRAWN ZYH 03-05-2010	
CHK HZJ 03-05-2010	
APPD CL 03-05-2010	
SCALE	1=2
REF	HWADA
REGAL-BELOIT CORPORATION	
OUTLINE	
182/184T FR ODP-ROLL STEEL	
CAD FILE	SS620292
SIZE	B
DRAWING NO.	SS620292
REV.	1

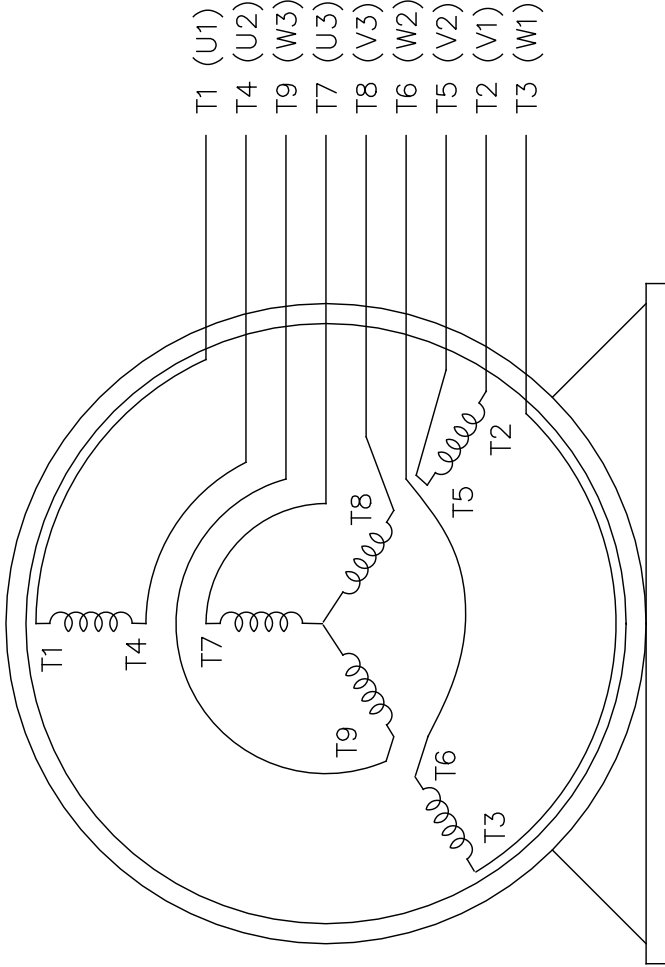
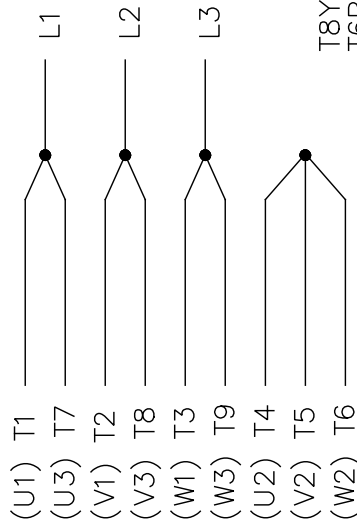
THREE PHASE
DUAL VOLTAGE MOTOR

EE7308

HIGH VOLTAGE



LOW VOLTAGE



VIEW OF TERMINAL END

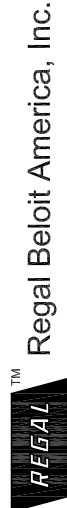
OPTIONAL CORD
CONNECTION

- L1 — WHITE
- L2 — RED
- L3 — BLACK

REF.
WINDING DIAGRAM

T8Y, T2Y, T2BL, T4BX, T2EC, T2G
T6BZ, T2B, T6BL, T4AV, T6B, T4B

5		CHG TO REGAL LOGO	SL	09/10/2015	AB	TOLERANCES UNLESS SPECIFIED		DRAWN RM 11/20/1990	
4		REVISED IEC NOTATIONS	MSG	11/15/2011	CMN.X	INCHES		CHK	ML 11/21/1990
3		ADDED IEC NOTATIONS... (U1), (V1) ETC.	MSG	5/10/2010	MJS.XX	±.1		APPD	SAS 04/24/2003
2		ADDED THE OPTIONAL CORD CONNECTION	RDH	04/24/2003	DRS.XXX	±.02		SCALE	1=1
1		REDRAWN	RM	11/20/1990	.XXXX	±.005		REF	
NO.		REVISION	BY & DATE		CHK	ANG		FMF	
		THIS DRAWING IN DESIGN AND DETAIL IS OUR PROPERTY AND MUST NOT BE USED EXCEPT IN CONNECTION WITH OUR WORK ALL RIGHTS OF DESIGN AND INVENTION ARE RESERVED THIS IS AN ELECTRONICALLY GENERATED DOCUMENT - DO NOT SCALE THIS PRINT		RFP	DIST		WP	PREV	
				CAD FILE		ee7308		SIZE	DRAWING NO. PAGE OF
				A		EE7308		REV.	5



TITLE CONNECTION DIAGRAM
3φ - DUAL VOLTAGE MOTOR

CERTIFICATION DATA SHEET

Model#: 182TTDB6026 BB **WINDING#:** CHT18240008 NONE 1
CONN. DIAGRAM: EE7308 **ASSEMBLY:** F1 ONLY
OUTLINE: SS602092

TYPICAL MOTOR PERFORMANCE DATA

HP 3&2	KW 2.24&1.149	SYNC. RPM 1800	F.L. RPM 1750&1460	FRAME 182T	ENCLOSURE DP	KVA CODE K	DESIGN B	
PH 3	Hz 60/50	VOLTS 230/460/190/380	START TYPE LINE OR INVERTER	DUTY CONTINUOUS	INSL F7	S.F 1.15/1.15	AMB°C 40	ELEVATION 3300
FULL LOAD EFF: 89.5&88.5		3/4 LOAD EFF: 90.2		1/2 LOAD EFF: 89.5	GTD. EFF	ELEC. TYPE	NO LOAD AMPS	
FULL LOAD PF: 81&78		3/4 LOAD PF: 75.5		1/2 LOAD PF: 63.5	88.5	SQ. CAGE INV/RATED	3.6/1.8	
F.L. TORQUE 9 LB-FT	LOCKED ROTOR AMPS 70./35	L.R. TORQUE 25 LB-FT 277	B.D. TORQUE 37 LB-FT 411	F.L. RISE°C 35				
SOUND PRESSURE @ 3 FT. 67 dBA	SOUND POWER 77 dBA	ROTOR WK^2 0.4 LB-FT^2	MAX. WK^2 20 LB-FT^2	SAFE STALL TIME 20 SEC.	STARTS / HOUR 2	APPROX. MOTOR WGT 80 LBS.		

*** SUPPLEMENTAL INFORMATION ***

DE BRACKET TYPE STANDARD	ODE BRACKET TYPE STANDARD	MOUNT TYPE RIGID	ORIENTATION HORIZONTAL	SEVERE DUTY FALSE	HAZARDOUS LOCATION NONE	DRIP COVER FALSE	SCREENS NONE	PAINT BLUE (ENAMEL)
BEARINGS	GREASE	SHAFT TYPE	SPECIAL DE	SPECIAL ODE	SHAFT MATERIAL	FRAME MATERIAL		
DE BALL 6206	OPE BALL 6203	POLYREX EM	T	NONE	1045 HOT ROLLED (C-204)	ROLLED STEEL		
THERMOSTATS NONE	PROTECTORS NOT	WDG RTDs NONE	BRG RTDs NONE	CONTROL NONE	SPACE IN HEATERS NONE VOLTS			

If Inverter equals NONE, contact factory for further information

INVERTER TORQUE: CONSTANT 4:1
INV. HP SPEED RANGE: NONE
ENCODER: NONE
NONE NONE
NONE NONE PPR
BRAKE: NONE NONE
NONE PIN NONE
NONE NONE
NONE FT-LB NONE V NONE HZ

DATE: 06/27/2017 01:29:29 AM
 FORM 3531 REV.3 02/07/99
 ** Subject to change without notice.

Data Sheet

Date: 16-06-2017
 Customer: _____
 Attention: _____
 Submitted by: FAREEDA DUDEKULA

182TTDB6026

Submittal
 Data @ 460 V



Load	Motor Load Data					
	0%	25%	50%	75%	100%	LR
Current (Amps)	1.80	2.00	2.50	3.1	3.9	4.6
Torque (ft-lb)	0.00	2.20	4.4	6.7	10.3	11.3
RPM	1800	1790	1780	1770	1750	1740
Efficiency (%)	84.0	89.5	89.5	89.2	89.5	89.5
P.F. (%)	6.5	42.0	63.5	75.5	81.0	83.0

Motor Speed Data		Information Block	
LR	Pull-Up	BD	Rated
0	750	1360	1750
35.0	31.5	24.0	3.9
25.0	22.5	37.0	9.0
			0.00

Speed (RPM)	0	750	1360	1750	1800
Current (Amps)	35.0	31.5	24.0	3.9	1.80
Torque (ft-lb)	25.0	22.5	37.0	9.0	0.00
Frame	182				
Enclosure	DP				
Construction	TDB				
Voltage	230/460#190-384V				
Frequency	60 Hz				
Design	A				
LR Code letter	K				
Service Factor	1-15				
Temp Rise @ FL	35 ° C				
Duty	CONT				
Ambient	40 ° C				
Elevation	1,000 feet				
Factor/Shaft wk?	0.40 LB-FF				
Ref Wdg	CHT18240008 NONE				
Sound Pressure @ 1M	67 dBA				
VFD Rating	CONSTANT 4:1				
Outline Dwg	SS620282				
Conn. Diag	EE7308				
Additional Specifications:	0				
	365THFS8036				
	EQUIV CKT (OHMS / PHASE)				
R1	1.9870	R2	2.1760	X1	5.3920
X2	5.3920	Xm	141.9000		

