

## PRODUCT INFORMATION PACKET

**marathon®**  
Motors

Model No: 254TTFNA16074

Catalog No: E205-P

15, 1800, TEFC, 254T, 3/60/230/460

Totally Enclosed Fan Cooled (TEFC)



Regal and Marathon are trademarks of Regal Beloit Corporation or one of its affiliated companies.  
©2018 Regal Beloit Corporation, All Rights Reserved. MC017097E

REGAL

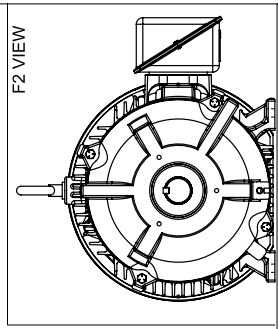
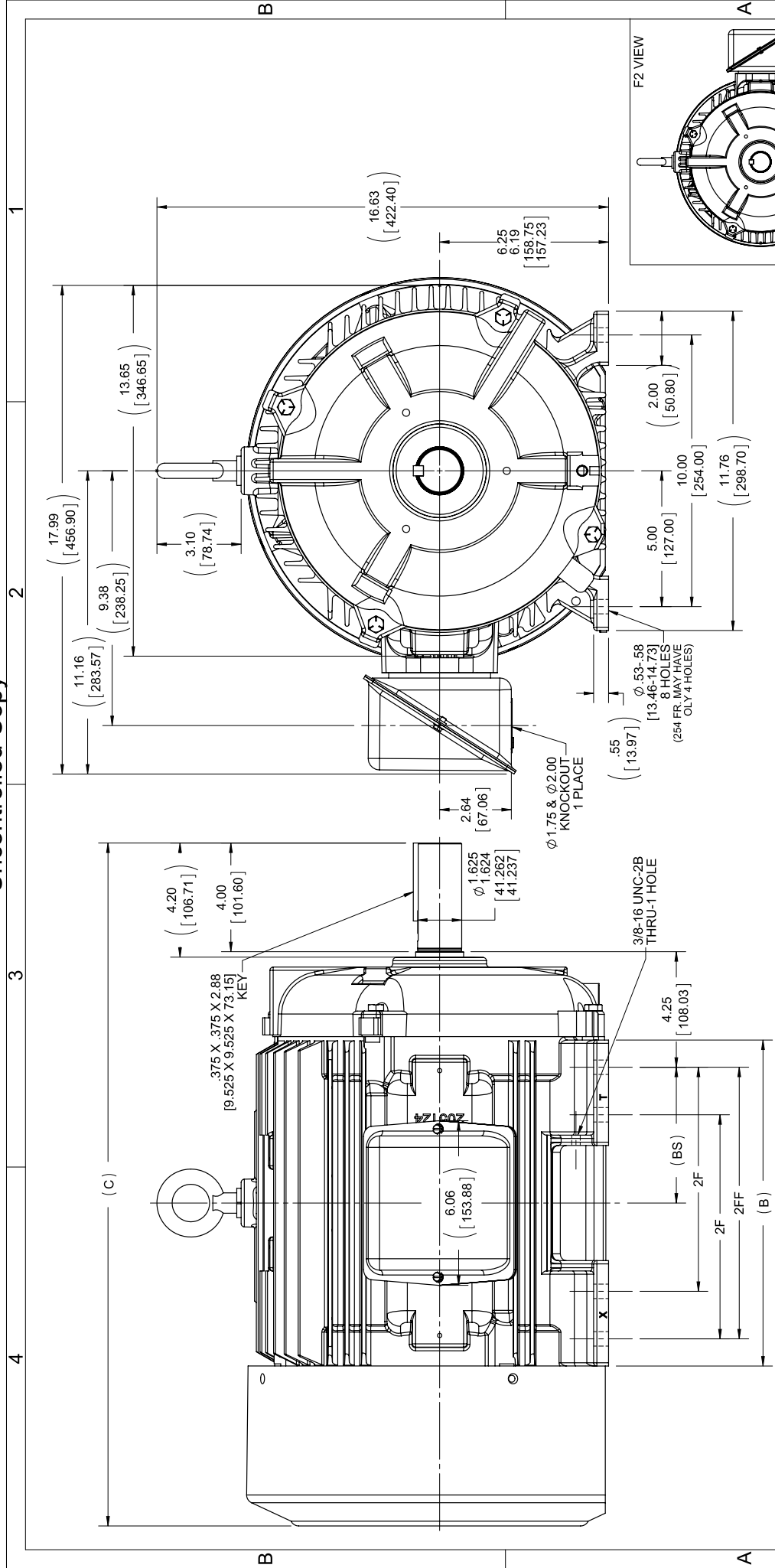


### Nameplate Specifications

Output HP	15 Hp	Output KW	11.2 kW
Frequency	60 Hz	Voltage	230/460 V
Current	37.5/18.8 A	Speed	1775 rpm
Service Factor	1.15	Phase	3
Efficiency	92.4 %	Duty	Continuous
Insulation Class	F	Design Code	B
KVA Code	G	Frame	254T
Enclosure	Totally Enclosed Fan Cooled	Overload Protector	No
Ambient Temperature	40 °C	Drive End Bearing Size	6309
Opp Drive End Bearing Size	6210	UL	Recognized
CSA	Y	CE	Y
IP Code	43		

### Technical Specifications

Electrical Type	Squirrel Cage Inverter Rated	Starting Method	Line Or Inverter
Poles	4	Rotation	Reversible
Mounting	Rigid base	Motor Orientation	Horizontal
Drive End Bearing	Ball	Opp Drive End Bearing	Ball
Frame Material	Cast Iron	Shaft Type	T
Overall Length	23.52 in	Frame Length	10.50 in
Shaft Diameter	1.625 in	Shaft Extension	4.2 in
Assembly/Box Mounting	F1/F2 Capable		
Outline Drawing	B-SS203015-1050	Connection Diagram	A-EE7308



NOTES:  
 1. BOX CAN BE ROTATED ON ITS AXIS.  
 2. BOX CAN BE MOUNTED ON OPPOSITE SIDE BY REMOVING BRACKETS AND TURNING FRAME 180°  
 3. NAMEPLATE TO BE READ FROM CONDUIT BOX SIDE OF MOTOR

DRAWING REVISION		REVISION BY	DF	DATE	7-7-14	TOLERANCES UNLESS OTHERWISE SPECIFIED:		ANGLE	7-2-14	DRAWN BY		D.F. FROELICH
ECO	F	ECO-0054340	APPROVED BY	DATE		XX	±0.1	±7.30°		DATE		7-2-14
						.XX	±0.03	[+2.5]		APPROVED BY		TB
						.XXX	±0.005	[±0.127]		DATE		7-7-14
						.XXXX	±0.0005	[±0.0127]		REFERENCE		
						REMOVE BURRS & BREAK SHARP CORNER FILLETS: .02 [51]						
						MACHINED SURFACES: .0005 [51]						
						mm SHOWN IN [BRACKETS]						
DASH	FRAME	B	C	2F	2FF	BS	THIRD ANGLE PROJECTION					
1050	254T	10.25 [260.35]	23.52 [597.41]	-	8.25 [209.55]	4.12 [104.65]	SIZE					
1225	256T	12.00 [304.80]	25.27 [641.86]	8.25 [209.55]	10.00 [254.00]	5.00 [127.00]	DRAWING NUMBER					
							SS203015					
							MATERIAL					
							250T FR. - BB - TS - STD.					
							PROCESS/FINISH					
							B					
							SHEET					
							1 OF 1					

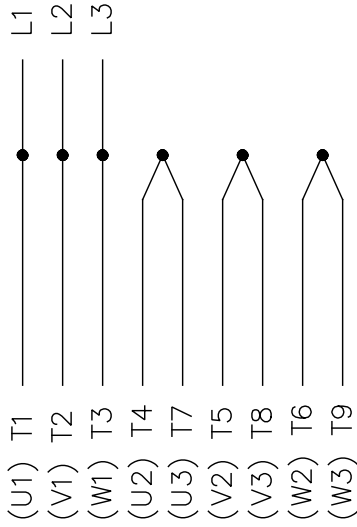
REGAL™  
 Regal Beloit America, Inc.

DESCRIPTION  
 OUTLINE  
 250T FR. - BB - TS - STD.

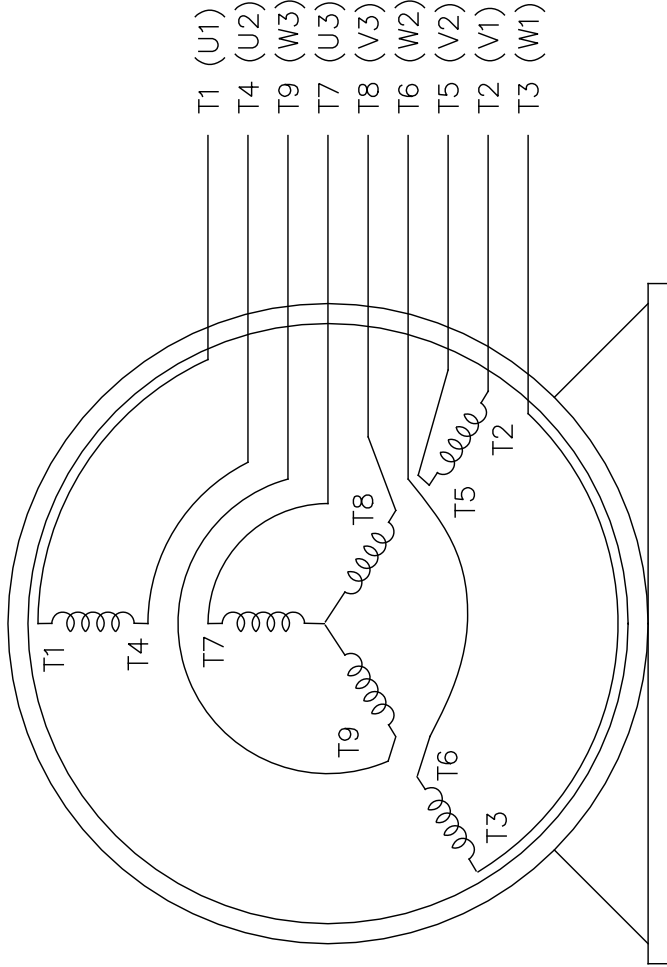
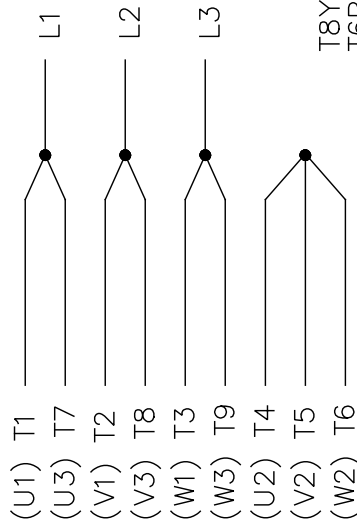
THREE PHASE  
DUAL VOLTAGE MOTOR

EE7308

HIGH VOLTAGE



LOW VOLTAGE



VIEW OF TERMINAL END

OPTIONAL CORD  
CONNECTION

- L1 — WHITE
- L2 — RED
- L3 — BLACK

REF.  
WINDING DIAGRAM

T8Y, T2Y, T2BL, T4BX, T2EC, T2G  
T6BZ, T2B, T6BL, T4AV, T6B, T4B

5	CHG TO REGAL LOGO	SL	09/10/2015	AB	DEC.	TOLERANCES UNLESS SPECIFIED	INCHES	±.1	DRAWN RM	11/20/1990
4	REVISED IEC NOTATIONS	MSG	11/15/2011	CMN.X					CHK ML	11/21/1990
3	ADDED IEC NOTATIONS... (U1), (V1) ETC. MU95194	MSG	5/10/2010	MJS.XX					APPD SAS	04/24/2003
2	ADDED THE OPTIONAL CORD CONNECTION MU46318	RDH	04/24/2003	DRS.XXX					SCALE	1=1
1	REDRAWN	RM	11/20/1990	.XXXX					REF	
NO.	REVISION	BY & DATE	CHK	ANG					FMF	
THIS DRAWING IN DESIGN AND DETAIL IS OUR PROPERTY AND MUST NOT BE USED EXCEPT IN CONNECTION WITH OUR WORK ALL RIGHTS OF DESIGN AND INVENTION ARE RESERVED THIS IS AN ELECTRONICALLY GENERATED DOCUMENT - DO NOT SCALE THIS PRINT										
CAD FILE ee7308										
SIZE DRAWING NO. PAGE OF										
A EE7308 5										



TITLE CONNECTION DIAGRAM  
3φ - DUAL VOLTAGE MOTOR

CERTIFICATION DATA SHEET

Model#: 254TTFNA16074 AA  
 CONN. DIAGRAM: A-EE7308  
 OUTLINE: B-SS203015-1050

WINDING#: K2564165 NONE 1  
 ASSEMBLY: F1/F2 CAPABLE

TYPICAL MOTOR PERFORMANCE DATA

HP	15&10	KW	11.2&7.5	SYNC. RPM	1800	F.L. RPM	1775&1478	FRAME	254T	ENCLOSURE	TEFC	KVA CODE	G	DESIGN	B		
PH	3	HZ	60/50	VOLTS	230/460/190/380	FL AMPS	37.5/18.8&31/15.5	START TYPE	LINE OR INVERTER	DUTY	CONTINUOUS	S.F.	1.15/1.15	AMB°C	40	ELEVATION	3300
FULL LOAD EFF:	92.4&91.7	3/4 LOAD EFF:	92.4	1/2 LOAD EFF:	91	GTD. EFF		ELEC. TYPE		NO LOAD AMPS							
FULL LOAD PF:	81&79	3/4 LOAD PF:	78	1/2 LOAD PF:	68		91.7	SQ. CAGE INV. RATED			15.6 / 7.8						
F.L. TORQUE	44.4 LB-FT	LOCKED ROTOR AMPS	220 / 110	L.R. TORQUE	85 LB-FT 191	B.D. TORQUE	125 LB-FT 282	F.L. RISE°C			55						
SOUND PRESSURE @ 3 FT.	65 dBA	SOUND POWER	75 dBA	ROTOR WK^2	2.4 LB-FT^2	MAX. WK^2	110 LB-FT^2	SAFE STALL TIME	25 SEC.	STARTS / HOUR	2	APPROX. MOTOR WGT					325 LBS.

\*\*\* SUPPLEMENTAL INFORMATION \*\*\*

DE BRACKET TYPE	STANDARD	MOUNT TYPE	RIGID	ORIENTATION	HORIZONTAL	SEVERE DUTY	FALSE	HAZARDOUS LOCATION	NONE	DRIP COVER	FALSE	SCREENS	NONE	PAINT	BLUE (ENAMEL)		
BEARINGS		GREASE		SHAFT TYPE		SPECIAL DE		SPECIAL ODE		SHAFT MATERIAL		SHAFT MATERIAL		FRAME MATERIAL			
DE	OPE																
BALL	BALL		POLYREX EM	T		NONE		NONE		1045 HOT ROLLED (C-204)				CAST IRON			
6309	6210																
THERMOSTATS		THERMO-PROTECTORS		WIDG RTDs		BRG RTDs		CONTROL		SPACE IN HEATERS							
NONE	NOT			NONE		NONE		NONE		FALSE				NONE VOLTS			

If Inverter equals NONE, contact factory for further information

INVERTER TORQUE:	CONSTANT 20:1
INV. HP SPEED RANGE:	NONE
ENCODER:	NONE
NONE	NONE
NONE	NONE PPR
BRAKE:	NONE NONE
NONE	PIN NONE
NONE	NONE
- FT-LB	NONE V NONE HZ

\* N O T E S \*