

PRODUCT INFORMATION PACKET



Model No: 184TTDW16061
Catalog No: E1931-P
5,1800,DP,184T,3/60/230/460
Open Drip Proof (ODP)



Regal and Marathon are trademarks of Regal Beloit Corporation or one of its affiliated companies.
©2018 Regal Beloit Corporation, All Rights Reserved. MC017097E





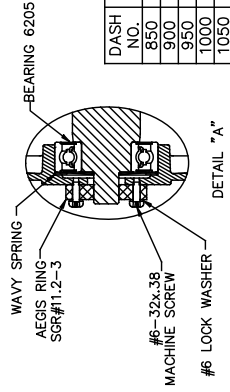
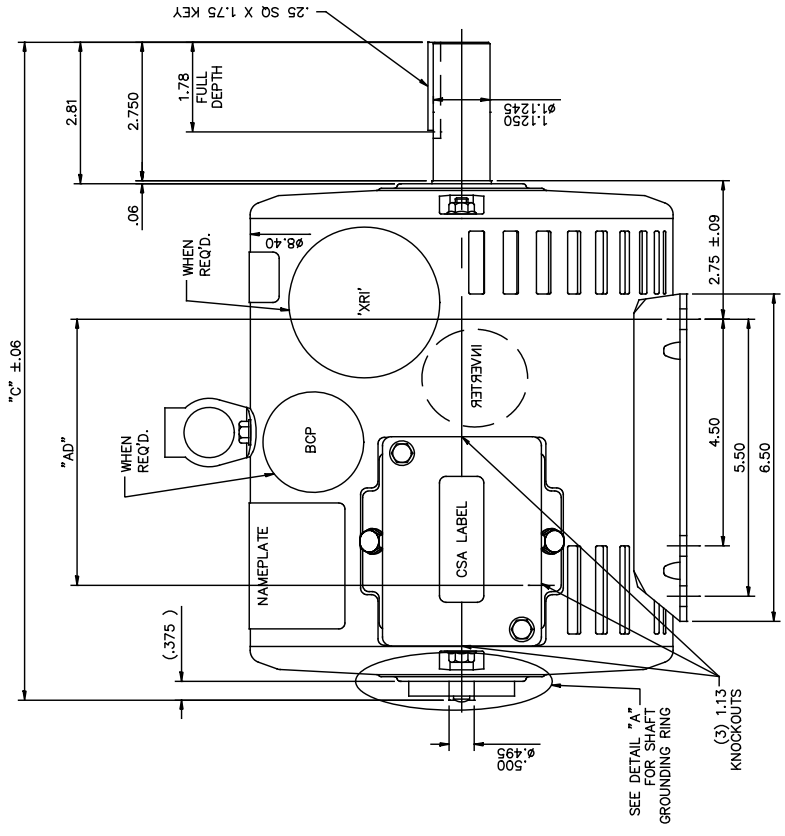
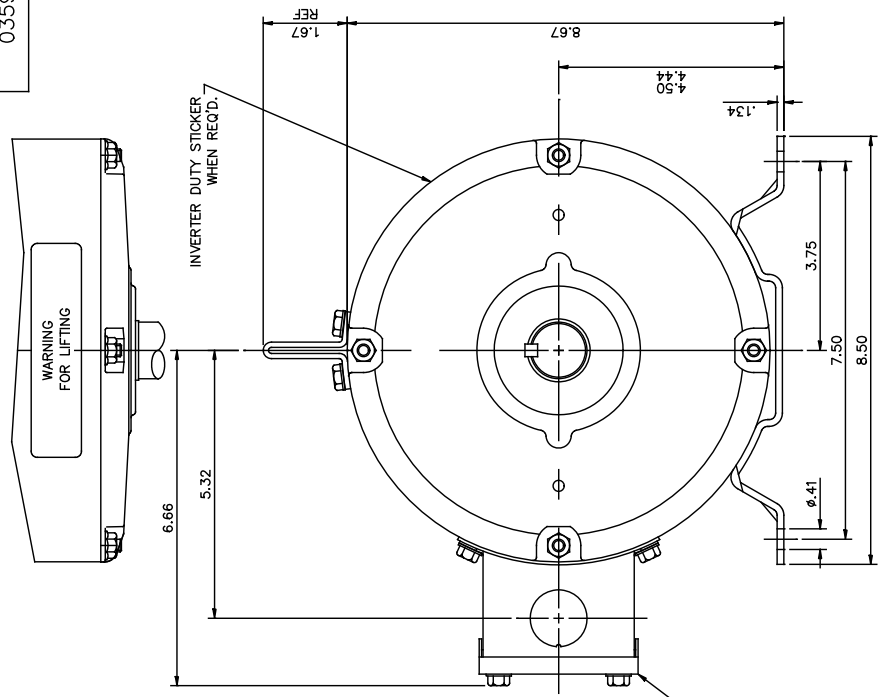
Nameplate Specifications

Output HP	5 Hp	Output KW	3.7 kW
Frequency	60 Hz	Voltage	230/460 V
Current	12.6/6.3 A	Speed	1755 rpm
Service Factor	1.15	Phase	3
Efficiency	89.5 %	Duty	Continuous
Insulation Class	F	Design Code	B
KVA Code	J	Frame	184T
Enclosure	Drip Proof	Overload Protector	No
Ambient Temperature	40 °C	Drive End Bearing Size	6206
Opp Drive End Bearing Size	6205	UL	Recognized
CSA	Y	CE	Y
IP Code	12		

Technical Specifications

Electrical Type	Squirrel Cage Inverter Rated	Starting Method	Line Or Inverter
Poles	4	Rotation	Reversible
Mounting	Rigid base	Motor Orientation	Horizontal
Drive End Bearing	Ball	Opp Drive End Bearing	Ball
Frame Material	Rolled Steel	Shaft Type	T
Overall Length	14.56 in	Frame Length	10.00 in
Shaft Diameter	1.125 in	Shaft Extension	2.81 in
Assembly/Box Mounting	F1 Only		
Outline Drawing	035988-1000	Connection Diagram	005010.01ME

035988



GASKETS THROUGHOUT

TOLERANCES UNLESS SPECIFIED		DRAWN P/R 05/29/13	
DEC.	INCHES	CHK	JD 05/29/13
.X	±.1	APPD	
.XX	±.03	SCALE	1=2
.XXX	±.005	REF	01.13215
AS	01/11/17 SR .XXXX ±.0005	FNF	182TDTW6063
REVISION		PREV	
NO.	BY & DATE	SIZE DRAWING NO.	
A	ADDED DASH # 1200	035988	035988
THIS DRAWING IN DESIGN AND DETAIL IS OUR PROPERTY AND MUST NOT BE USED EXCEPT IN CONNECTION WITH OUR WORK. ALL RIGHTS OF DESIGN AND INVENTION ARE RESERVED. THIS IS AN ELECTRONICALLY GENERATED DOCUMENT - DO NOT SCALE THIS PRINT.		REV. A	

DASH NO.	"C"	"AD"
850	13.06	5.25
900	13.56	5.75
950	14.06	6.25
1000	14.56	6.75
1050	15.06	7.25
1100	15.56	7.75
1150	16.06	8.25
1200	16.56	8.75

CERTIFICATION DATA SHEET

Model#: 184TTDW16061 AA
 CONN. DIAGRAM: 005010.01ME
 OUTLINE: 035988-1000

WINDING#: T84169 DR 3
 ASSEMBLY: F1 ONLY

TYPICAL MOTOR PERFORMANCE DATA

HP	5&3	KW	3.7&2.24	SYNC. RPM	1800	F.L. RPM	1755&1470	FRAME	184T	ENCLOSURE	DP	KVA CODE	J	DESIGN	B				
PH	3	Hz	60/50	VOLTS	230/460#190/380	FL AMPS	12.6/6.3&8.8/4.9	START TYPE	LINE OR INVERTER	DUTY	CONTINUOUS	INSL	F4	S.F	1.15/1.15	AMB°C	40	ELEVATION	3300
FULL LOAD EFF:	89.5&89.5	3/4 LOAD EFF:	90.7	1/2 LOAD EFF:	90.3	GTD. EFF		ELEC. TYPE		NO LOAD AMPS									
FULL LOAD PF:	83&78	3/4 LOAD PF:	78.4	1/2 LOAD PF:	86.6		87.5	SQ. CAGE INV/RATED											
F.L. TORQUE	14.95 LB-FT	LOCKED ROTOR AMPS	95.7/47.5	L.R. TORQUE	30 LB-FT 200	B.D. TORQUE	49.3 LB-FT 329	F.L. RISE°C											
SOUND PRESSURE @ 3 FT.	0 dBA	SOUND POWER	10 dBA	ROTOR WK'²	0.434 LB-FT²	MAX. WK'²	0 LB-FT²	SAFE STALL TIME	15 SEC.	STARTS /HOUR	2	APPROX. MOTOR WGT							

*** SUPPLEMENTAL INFORMATION ***

DE BRACKET TYPE	STANDARD	ODE BRACKET TYPE	STANDARD	MOUNT TYPE	RIGID	ORIENTATION	HORIZONTAL	SEVERE DUTY	FALSE	HAZARDOUS LOCATION	NONE	DRIP COVER	FALSE	SCREENS	NONE	PAINT	BLUE (ENAMEL)
BEARINGS		GREASE		SHAFT TYPE		SPECIAL DE		SPECIAL ODE		SHAFT MATERIAL	AISI 1045 (C-240)	FRAME MATERIAL	ROLLED STEEL				
DE	OPE																
BALL	BALL																
6206	6205																
THERMOSTATS		THERMO-PROTECTORS		WIDG RTDs		BRG RTDs		CONTROL		SPACE IN HEATERS							
NONE	NOT																

If Inverter equals NONE, contact factory for further information

INVERTER TORQUE: VARIABLE	10:1
INV. HP SPEED RANGE:	NONE
ENCODER:	NONE
NONE	NONE
NONE	NONE PPR
BRAKE:	NONE
NONE	PIN NONE
NONE	NONE
NONE FT-LB	NONE V
NONE HZ	NONE HZ

* N O T E S *