

PRODUCT INFORMATION PACKET



Model No:
Catalog No: H534LES
1.5,1725,ODP,56H,3/60/230/460
Open Drip Proof (ODP)



Regal and Century are trademarks of Regal Beloit Corporation or one of its affiliated companies.
©2019 Regal Beloit Corporation, All Rights Reserved. MC017097E





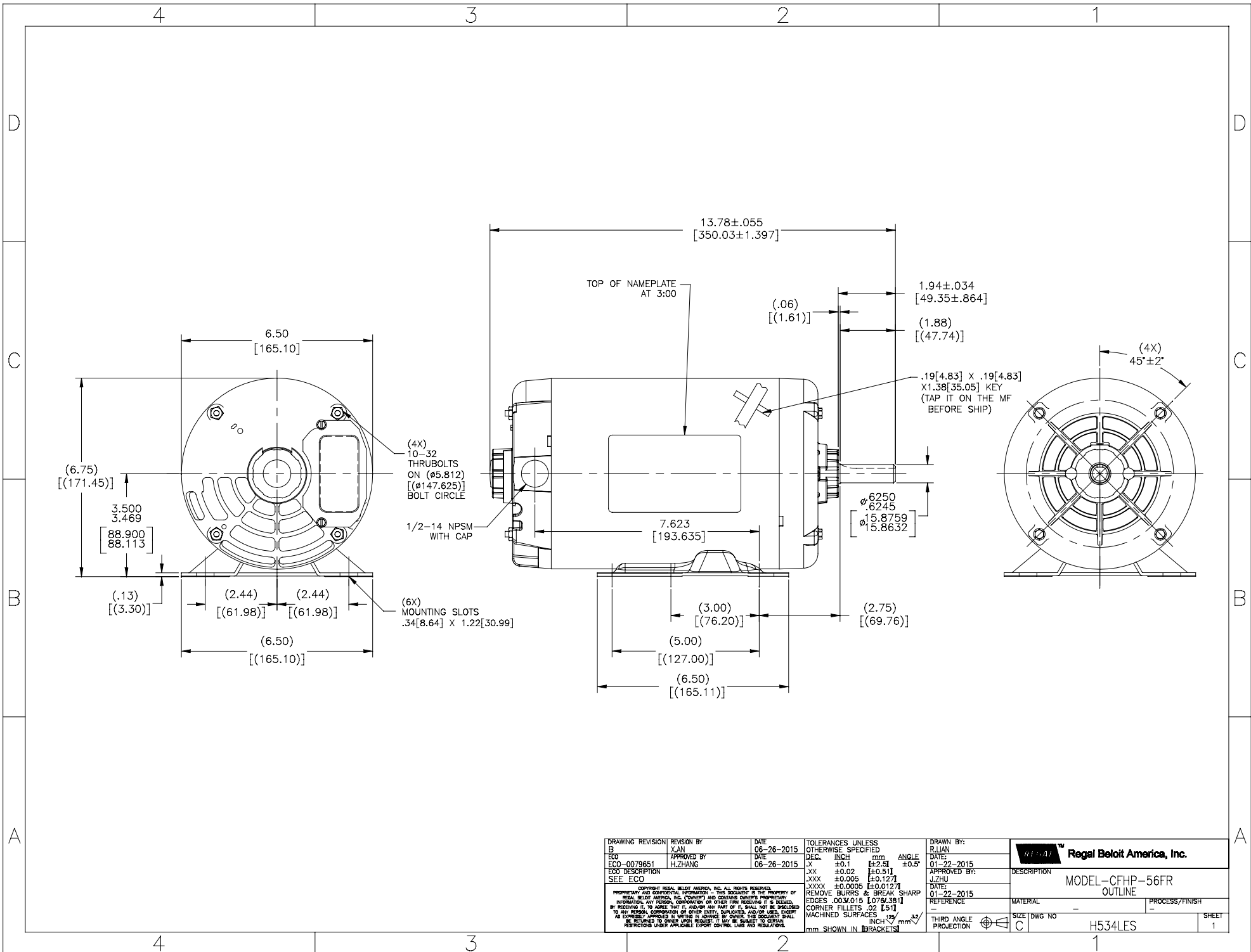
Nameplate Specifications

Output HP	1.5 HP	Output KW	1.1 kW
Frequency	60 Hz	Voltage	230/460 V
Current	4.7/2.35 A	Speed	1725 RPM
Service Factor	1.2	Phase	3
Duty	Continuous	Insulation Class	B
Frame	56H	Enclosure	Open Drip Proof
Overload Protector	None	Ambient Temperature	40 °C
UL	Recognized	CSA	N
CE	Y		

Technical Specifications

Electrical Type	Polyphase	Starting Method	Across The Line
Poles	4	Rotation	Counterclockwise
Mounting	Rigid Base	Drive End Bearing	Ball
Opp Drive End Bearing	Ball	Frame Material	Rolled Steel
Shaft Type	Keyed	Overall Length	13.78 in
Frame Length	7.75 in	Shaft Diameter	0.625 in
Shaft Extension	1.94 in		
Outline Drawing	H534LES-S01	Connection Diagram	D0000283-001

This is an uncontrolled document once printed or downloaded and is subject to change without notice. Date Created: 08/14/2019



DRAWING REVISION BY: B	REVISION BY: X,AN	DATE: 06-26-2015	TOLERANCES UNLESS OTHERWISE SPECIFIED:	DRAWN BY: R,LIAN	<p>Regal Beloit America, Inc.</p>
ECO-0079651	APPROVED BY: H,ZHANG	DATE: 06-26-2015	DEC. INCH mm ANGLE	DATE: 01-22-2015	
SEE ECO			X ±.01 [±.25] ±0.5°	APPROVED BY: J,ZHU	DESCRIPTION: MODEL-CFHP-56FR OUTLINE
<small> COPYRIGHT REGAL BELOIT AMERICA, INC. ALL RIGHTS RESERVED. PROPRIETARY AND CONFIDENTIAL INFORMATION - THIS DOCUMENT IS THE PROPERTY OF REGAL BELOIT AMERICA, INC. (OWNER) AND CONTAINS OWNER'S PROPRIETARY INFORMATION. ANY REPRODUCTION OR OTHER USE WITHOUT THE WRITTEN PERMISSION OF REGAL BELOIT AMERICA, INC. IS STRICTLY PROHIBITED. BY RECEIVING IT, YOU AGREE THAT IT, AND/OR ANY PART OF IT, SHALL NOT BE DISCLOSED TO ANY PERSON, CORPORATION OR OTHER ENTITY, SUPPLIER, AND/OR USER WITHOUT THE EXPRESS APPROVAL IN WRITING BY OWNER. THIS DOCUMENT SHALL BE RETURNED TO OWNER UPON REQUEST. IT MAY BE SUBJECT TO CERTAIN RESTRICTIONS UNDER APPLICABLE EXPORT CONTROL LAWS AND REGULATIONS. </small>			.XXX ±0.005 [±0.127] .XXXX ±0.0005 [±0.0127] REMOVE BURRS & BREAK SHARP EDGES .003/015 [0.076/3.81] CORNER FILLETS .02 [51] MACHINED SURFACES	DATE: 01-22-2015	MATERIAL: -
			INCH mm	REFERENCE: -	PROCESS/FINISH: -
			mm SHOWN IN BRACKETS	THIRD ANGLE PROJECTION	SIZE DWG NO: H534LES
					SHEET 1