

PRODUCT INFORMATION PACKET

Model No: 184TTFC6026
Catalog No: GT1013
5,1800,TEFC,184T,3/60/230/460
Totally Enclosed Fan Cooled (TEFC)



Regal and Marathon are trademarks of Regal Beloit Corporation or one of its affiliated companies.
©2018 Regal Beloit Corporation, All Rights Reserved. MC017097E



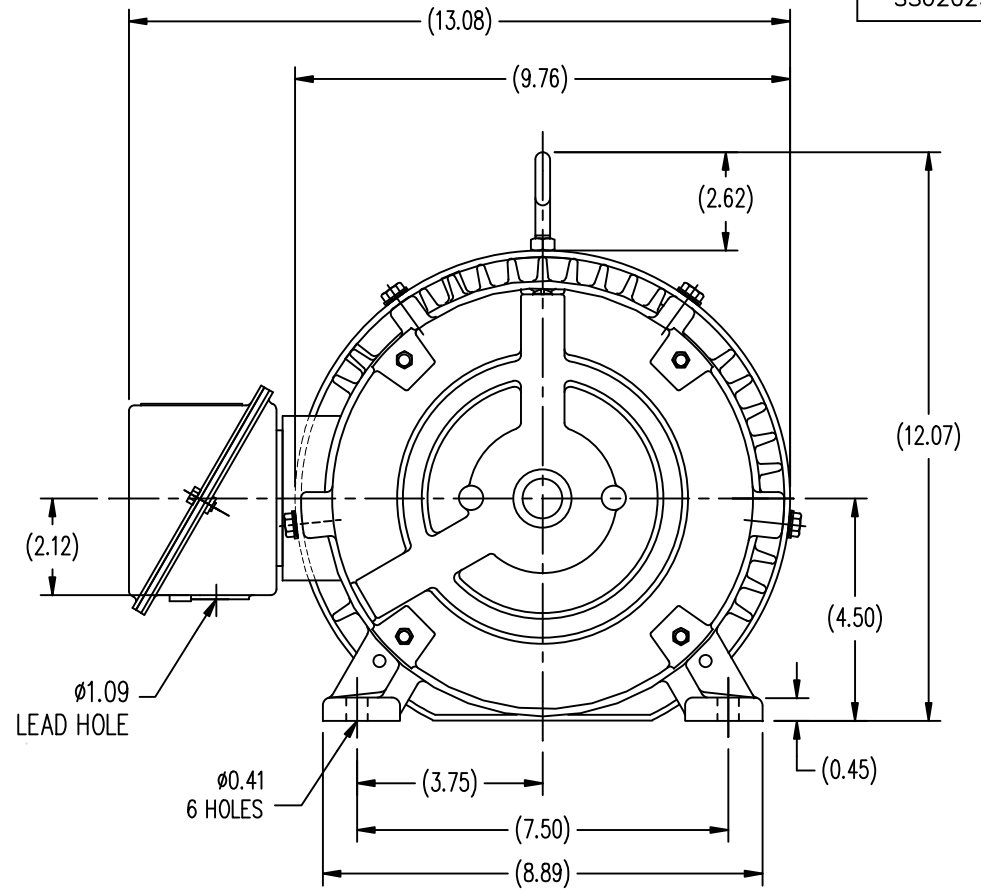
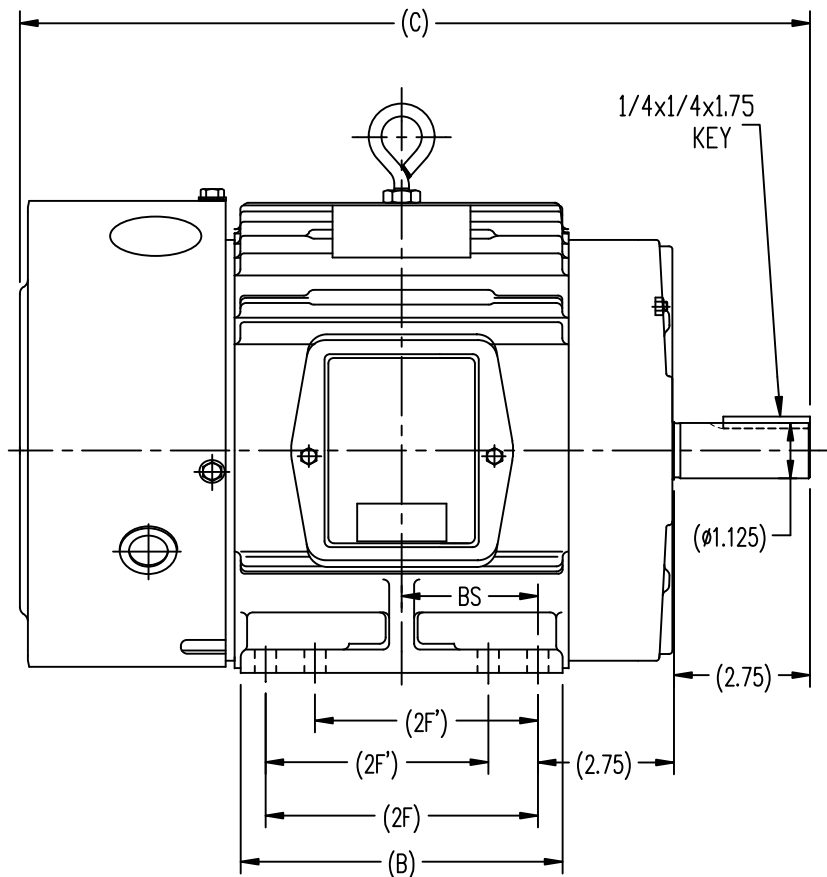
Nameplate Specifications

Output HP	5 Hp	Output KW	3.7 kW
Frequency	60 Hz	Voltage	230/460 V
Current	12.4/6.2 A	Speed	1740 rpm
Service Factor	1.15	Phase	3
Efficiency	89.5 %	Duty	Continuous
Insulation Class	F	Design Code	A
KVA Code	K	Frame	184T
Enclosure	Totally Enclosed Fan Cooled	Overload Protector	No
Ambient Temperature	40 °C	Drive End Bearing Size	6206
Opp Drive End Bearing Size	6205	UL	Recognized
CSA	Y	CE	Y
IP Code	43		


Technical Specifications

Electrical Type	Squirrel Cage Inverter Rated	Starting Method	Line Or Inverter
Poles	4	Rotation	Reversible
Mounting	Rigid base	Motor Orientation	Horizontal
Drive End Bearing	Ball	Opp Drive End Bearing	Ball
Frame Material	Cast Iron	Shaft Type	T
Overall Length	15.81 in	Shaft Diameter	1.125 in
Shaft Extension	2.75 in	Assembly/Box Mounting	F1/F2 Capable
Outline Drawing	B-SS620290	Connection Diagram	A-EE7308

This is an uncontrolled document once printed or downloaded and is subject to change without notice. Date Created: 06/28/2018



182T	14.80	5.50	4.50	/	2.25
184T	15.81	6.55	5.50	4.50	2.75
FRAME	C	B	2F	2F'	BS

		TOLERANCES UNLESS SPECIFIED		 REGAL-BELOIT CORPORATION	DRAWN HZJ 03-05-2010	
NO.	REVISION	DEC.	INCHES		CHK	ZYH 03-05-2010
		.X	±.1		APPD	CL 03-05-2010
		.XX	±.03		SCALE	1=2.5
		.XXX	±.005		REF	
		.XXXX	±.0005		FMF	HWADA
		CHK	ANG	±1/2-	PREV	
THIS DRAWING IN DESIGN AND DETAIL IS OUR PROPERTY AND MUST NOT BE USED EXCEPT IN CONNECTION WITH OUR WORK. ALL RIGHTS OF DESIGN AND INVENTION ARE RESERVED. THIS IS AN ELECTRONICALLY GENERATED DOCUMENT - DO NOT SCALE THIS PRINT.				RFP	CAD FILE	SS620290
				DIST	SIZE	DRAWING NO.
					B	SS620290
						REV.

EE7308

THREE PHASE
DUAL VOLTAGE MOTOR



VIEW OF TERMINAL END

REF.
WINDING DIAGRAM

T8Y, T2Y, T2BL, T4BX, T2EC, T2G
T6BZ, T2B, T6BL, T4AV, T6B, T4B

OPTIONAL CORD
CONNECTION

L1 — WHITE
L2 — RED
L3 — BLACK

NO.	REVISION	BY & DATE	CHK	ANG	TOLERANCES UNLESS SPECIFIED		FINISH	DRAWN RM 11/20/1990				
					DEC.	INCHES						
5	CHG TO REGAL LOGO	SL 09/10/2015	AB					CHK ML 11/21/1990				
4	REVISED IEC NOTATIONS	MSG 11/15/2011	CMN	.X	±.1			APPD SAS 04/24/2003				
3	ADDED IEC NOTATIONS... (U1), (V1) ETC. MU95194	MSG 5/10/2010	MJS	.XX	±.02		TITLE CONNECTION DIAGRAM	SCALE 1=1				
2	ADDED THE OPTIONAL CORD CONNECTION MU46318	RDH 04/24/2003	DRS	.XXX	±.005		3Ø - DUAL VOLTAGE MOTOR	REF				
1	REDRAWN	RM 11/20/1990		.XXXX	±.0005		MAT'L.	FMF				
					±7'30"			PREV				
THIS DRAWING IN DESIGN AND DETAIL IS OUR PROPERTY AND MUST NOT BE USED EXCEPT IN CONNECTION WITH OUR WORK ALL RIGHTS OF DESIGN AND INVENTION ARE RESERVED THIS IS AN ELECTRONICALLY GENERATED DOCUMENT - DO NOT SCALE THIS PRINT							RFP	CAD FILE ee7308	SIZE A	DRAWING NO. EE7308	PAGE OF 5	REV. 5
							DIST WP					



Data Sheet

Date: 19-06-2017
 Customer: _____
 Attention: _____
 Submitted by: FAREEDA DUDEKULA



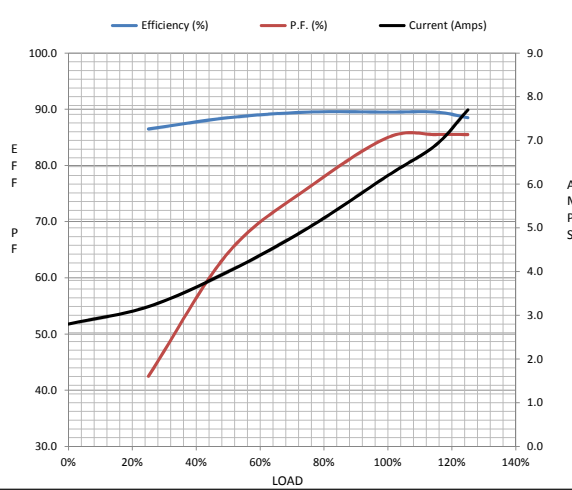
184TTFC6026

Submittal

Data @ 460 V

Motor Load Data								
Load	0%	25%	50%	75%	100%	115%	125%	LR
Current (Amps)	2.80	3.2	4.0	5.0	6.2	6.9	7.7	56.0
Torque (ft-lb)	0.00	3.7	7.4	11.2	15.1	17.4	19.0	38.0
RPM	1800	1790	1780	1755	1740	1,732	1725	0
Efficiency (%)		86.5	88.5	89.5	89.5	89.5	88.5	
P.F. (%)	5.5	42.5	64.5	76.0	85.0	85.5	85.5	53.0

Motor Speed Data						Information Block	
	LR	Pull-Up	BD	Rated	Idle		
Speed (RPM)	0	900	1450	1740	1800	HP	5.0
Current (Amps)	56.0	50.5	36.0	6.2	2.80	Sync. RPM	1800
Torque (ft-lb)	38.0	34.2	57.4	15.1	0.00	Frame	184
						Enclosure	TEFC
						Construction	TFC
						Voltage	30/460#190/38V
						Frequency	60 Hz
						Design	A
						LR Code letter	K
						Service Factor	1.15
						Temp Rise @ FL	55 ° C
						Duty	CONT
						Ambient	40 ° C
						Elevation	1,000 feet
						Rotor/Shaft wk²	0.50 Lb-Ft²
						Ref Wdg	CHT18440007 NONE
						Sound Pressure @ 1M	62 dBA
						VFD Rating	VARIABLE 10:1
						Outline Dwg	B-SS620290
						Conn. Diag	A-EE7308
						Additional Specifications:	
						0	
						365THFS8036	
						EQUIV CKT (OHMS / PHASE)	
						R1	R2
						X1	X2
						Xm	
						1.3040	1.4740
						3.8270	4.0370
						106.8800	



HP	5.0
Sync. RPM	1800
Frame	184
Enclosure	TEFC
Construction	TFC
Voltage	30/460#190/38V
Frequency	60 Hz
Design	A
LR Code letter	K
Service Factor	1.15
Temp Rise @ FL	55 ° C
Duty	CONT
Ambient	40 ° C
Elevation	1,000 feet
Rotor/Shaft wk²	0.50 Lb-Ft²
Ref Wdg	CHT18440007 NONE
Sound Pressure @ 1M	62 dBA
VFD Rating	VARIABLE 10:1
Outline Dwg	B-SS620290
Conn. Diag	A-EE7308
Additional Specifications:	
0	
365THFS8036	
EQUIV CKT (OHMS / PHASE)	
R1	R2
X1	X2
Xm	
1.3040	1.4740
3.8270	4.0370
106.8800	

