

## **FEATURES**

- Over 50 years of unit expertise and design
- Self-contained Heating and Cooling Packaged Unit
  - No need for outdoor units, line sets, or separate venting
  - Pre-wired and pre-charged

## **REFRIGERANT SYSTEM**

- High-efficiency compressor standard on all models
- EWC\*12P30 includes a two-stage high-efficiency compressor
- Copper tubing with enhanced aluminum fin coils
- Slide-out Cooling chassis for ease of service
- Anti-microbial evaporative drain pan

## **BLOWER**

- Multi-speed blower motor for diverse airflow range
- Resilient motor mounts for smooth and quiet operation
- Internal washable filter is standard

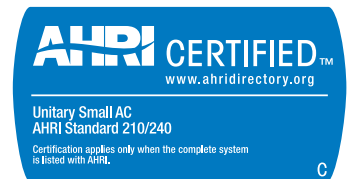
## **CONTROLS**

- Conventional 24V thermostat
  - One Stage Cool/Heat required up to 2 tons
  - Two Stage Cool/One Stage Heat for 2.5-ton model
- Color-coded wiring for ease of installation and service
- Diagnostic LED
- Easily accessible control box

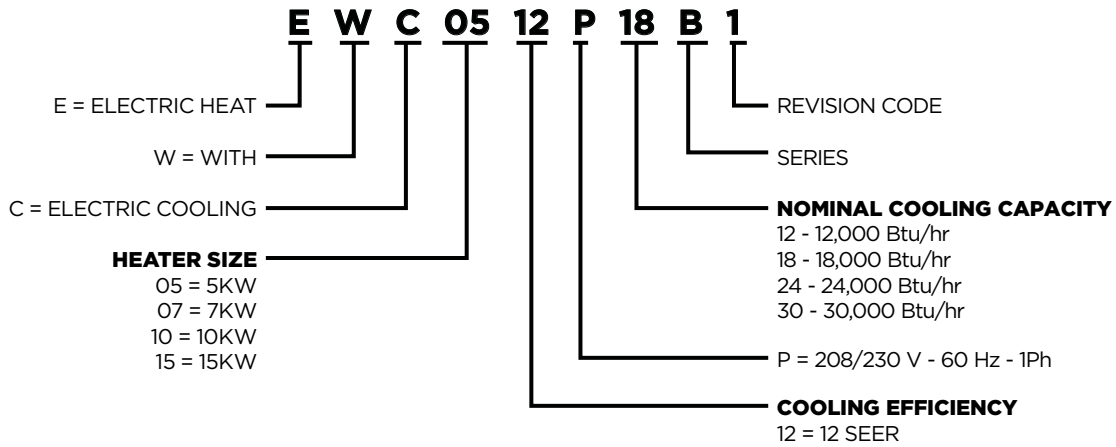
## **WARRANTY**

- Five (5) Year Limited Parts Warranty

## **EWC MODEL UNITS ELECTRIC HEATING / ELECTRIC COOLING PACKAGED UNITS**



### MODEL NUMBER GUIDE



### ELECTRICAL AND PHYSICAL DATA

Model	Voltage/Hz/Phase	Voltage Range	MCA <sup>1</sup>				MOCP <sup>2</sup>				Compressor		Outside Fan				Indoor Blower			R410A Charge	Approx. Weight (lbs.)	
			CKT1		CKT2		CKT1		CKT2		Rated Load Amps	Locked Rotor Amps	Dia	Nominal RPM	Rated Load Amps	HP	Wheel Dia x Width	Rated Load Amps	HP			
			208V	240V	208V	240V	208V	240V	208V	240V												
EWC0512P12B	208-230/60/1	197-253	24.5	27.9	N/A	N/A	25	30	N/A	N/A	4.9	27.0	18.0	1075	0.9	1/8	10 x 4.5	2.3	1/2	45	284	
EWC0712P12B			35.4	40.4			40	45														
EWC0512P18B			25.3	28.6			30	30														
EWC0712P18B			36.1	41.1			40	45			6.7	37.5		1.8	1/4	2.9		58	302			
EWC1012P18B			47.0	53.6			50	60														
EWC1012P24B			46.7	53.4			50	60			10.2	61.6		2.8	1/3	2.7		57	333			
EWC1512P24B			25.0	28.4			43.3	50.0												30	30	45
EWC1012P30B			46.8	53.5			N/A	N/A			50	60		N/A	N/A	12.1		78.1	1200	2.8	60	339
EWC1512P30B			25.2	28.5			43.3	50.0			30	30		45	50							

<sup>1</sup> MCA = Minimum Circuit Ampacity  
<sup>2</sup> MOCP = Maximum Over Current Protection

### PERFORMANCE

Model	Cooling				Heating			
	Btuh	SEER	S/T	CFM	240V		208V	
					kW/Hr	Btu/Hr	kW/Hr	Btu/Hr
EWC0512P12B	12,000	12	0.75	480	4.8	16,300	3.6	12,300
EWC0712P12B					7.2	24,600	5.4	18,400
EWC0512P18B	17,000	12	0.75	560	4.8	16,300	3.6	12,300
EWC0712P18B					7.2	24,600	5.4	18,400
EWC1012P18B					9.6	32,700	7.2	24,600
EWC1012P24B	22,800	12	0.75	770	9.6	32,700	7.2	24,600
EWC1512P24B					14.4	49,100	10.8	36,900
EWC1012P30B	27,000	12	0.75	945	9.6	32,700	7.2	24,600
EWC1512P30B					14.4	49,100	10.8	36,900

**BLOWER PERFORMANCE**

SUPPLY AIRFLOW PERFORMANCE (SCFM) AS A FUNCTION OF EXTERNAL STATIC PRESSURE							
Model	Indoor Blower Speed	Unit Voltage (V)	0.1" w.c.	0.2" w.c.	0.3" w.c.	0.4" w.c.	0.5" w.c.
EWC0512P12B	TAP 1 (HEAT) *	208 or 230	615	590	570	545	525
	TAP 2 (HEAT)	208 or 230	655	630	610	590	570
	TAP 3 (HEAT)	208 or 230	795	780	760	745	725
	TAP 4 (COOL) †	208 or 230	480	460	440	415	390
	TAP 5 (COOL)	208 or 230	530	505	485	460	430
EWC0712P12B	TAP 1 (HEAT)	208 or 230	615	590	570	545	525
	TAP 2 (HEAT) *	208 or 230	655	630	610	590	570
	TAP 3 (HEAT)	208 or 230	795	780	760	745	725
	TAP 4 (COOL) †	208 or 230	480	460	440	415	390
	TAP 5 (COOL)	208 or 230	530	505	485	460	430
EWC0512P18B EWC0712P18B	TAP 1 (HEAT)	208 or 230	805	785	770	750	730
	TAP 2 (HEAT) *	208 or 230	825	805	785	770	750
	TAP 3 (HEAT)	208 or 230	910	890	875	860	845
	TAP 4 (COOL) †	208 or 230	560	540	520	500	475
	TAP 5 (COOL)	208 or 230	610	580	560	535	505
EWC1012P18B	TAP 1 (HEAT)	208 or 230	805	785	770	750	730
	TAP 2 (HEAT)	208 or 230	825	805	785	770	750
	TAP 3 (HEAT) *	208 or 230	910	890	875	860	845
	TAP 4 (COOL) †	208 or 230	560	540	520	500	475
	TAP 5 (COOL)	208 or 230	610	580	560	535	505
EWC1012P24B	TAP 1 (HEAT)	208 or 230	805	785	770	750	730
	TAP 2 (HEAT)	208 or 230	825	805	785	770	750
	TAP 3 (HEAT) *	208 or 230	910	890	875	860	845
	TAP 4 (COOL) †	208 or 230	770	750	730	710	690
	TAP 5 (COOL)	208 or 230	820	790	770	750	730
EWC1512P24B	TAP 1 (HEAT)	208 or 230	805	785	770	750	730
	TAP 2 (HEAT)	208 or 230	825	805	785	770	750
	TAP 3 (HEAT) *	208 or 230	910	890	875	860	845
	TAP 4 (COOL) †	208 or 230	770	750	730	710	690
	TAP 5 (COOL)	208 or 230	820	790	770	750	730
EWC1012P30B	TAP 1 (HEAT) *	208 or 230	825	805	785	770	750
	TAP 2 (HEAT)	208 or 230	910	890	875	860	845
	TAP 3 (COOL) †	208 or 230	530	510	490	465	440
	TAP 4 (COOL)	208 or 230	570	545	530	505	480
	TAP 5 (COOL) †	208 or 230	945	920	900	885	865
EWC1512P30B	TAP 1 (HEAT)	208 or 230	825	805	785	770	750
	TAP 2 (HEAT) *	208 or 230	910	890	875	860	845
	TAP 3 (COOL) †	208 or 230	530	510	490	465	440
	TAP 4 (COOL)	208 or 230	570	545	530	505	480
	TAP 5 (COOL) †	208 or 230	945	920	900	885	865

NOTE: EWC\*\*30B models shipped with Low and High stage Cooling taps connected for use of the two-stage system.

\* As shipped speed for Heating operation

† As shipped speed for Cooling operation

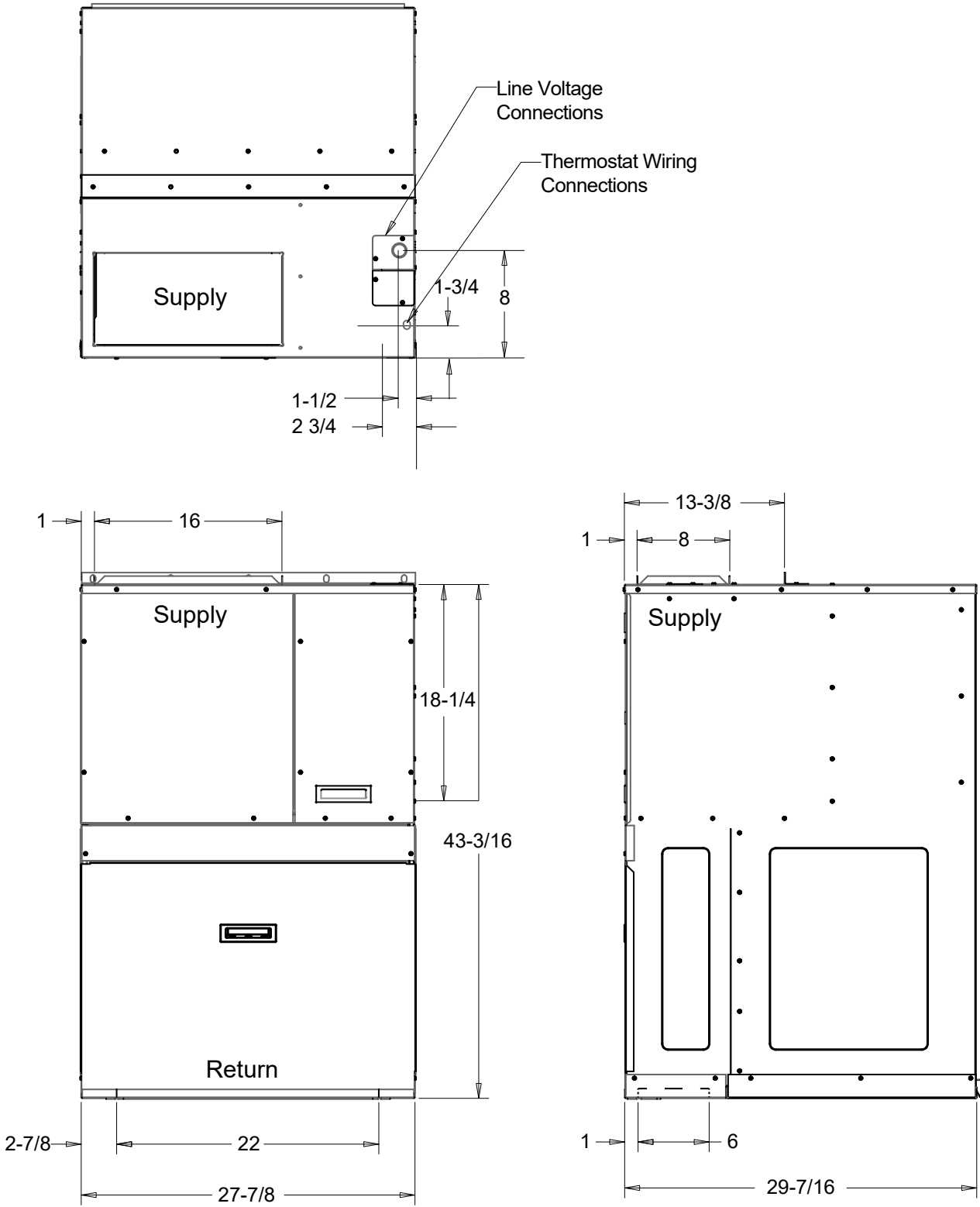
### COOLING PERFORMANCE EXTENDED RATINGS

Model	Indoor Temp DB/WB °F	Outdoor Temperature - DB °F														
		65			85			95			105			115		
		Btuh	S/T	kW	Btuh	S/T	kW	Btuh	S/T	kW	Btuh	S/T	kW	Btuh	S/T	kW
EWC**12P12B	85/72	16,600	0.62	0.91	15,100	0.65	1.08	13,800	0.68	1.22	12,400	0.73	1.32	11,100	0.77	1.46
	80/67	15,400	0.69	0.92	13,900	0.74	1.07	12,500	0.77	1.21	11,300	0.84	1.31	9,700	0.89	1.45
	75/63	14,400	0.71	0.92	12,700	0.78	1.06	11,300	0.81	1.21	10,100	0.88	1.31	8,500	0.94	1.44
	75/57	13,100	1.00	0.92	11,900	1.00	1.06	10,800	1.00	1.20	9,600	1.00	1.30	8,200	1.00	1.43
EWC**12P18B	85/72	21,200	0.58	1.22	19,900	0.60	1.50	18,600	0.63	1.59	17,100	0.65	1.73	15,700	0.69	1.87
	80/67	20,000	0.66	1.22	18,600	0.72	1.49	17,200	0.73	1.59	15,700	0.79	1.72	14,100	0.80	1.86
	75/63	19,100	0.69	1.22	17,400	0.73	1.49	15,700	0.76	1.58	14,300	0.78	1.71	12,600	0.83	1.85
	75/57	16,800	1.00	1.22	15,600	1.00	1.48	14,300	1.00	1.57	13,100	1.00	1.70	11,500	1.00	1.84
EWC**12P24B	85/72	31,100	0.61	1.73	28,300	0.62	2.01	25,600	0.65	2.28	23,400	0.67	2.53	21,100	0.71	2.76
	80/67	28,400	0.67	1.71	25,700	0.69	2.00	23,000	0.73	2.27	20,900	0.75	2.52	19,100	0.79	2.74
	75/63	26,100	0.70	1.70	23,700	0.73	1.97	21,300	0.76	2.25	19,500	0.78	2.51	17,400	0.82	2.74
	75/57	22,500	1.00	1.69	21,200	1.00	1.95	19,800	1.00	2.23	18,500	1.00	2.51	16,800	1.00	2.72
EWC**12P30B	85/72	37,000	0.72	2.41	30,800	0.69	2.83	30,700	0.67	3.08	22,200	0.61	3.29	25,400	0.73	3.62
	80/67	36,700	0.69	2.44	29,700	0.81	2.82	27,400	0.75	3.04	24,200	0.83	3.30	22,400	0.82	3.57
	75/63	33,600	0.63	2.48	22,900	0.87	2.79	25,300	0.78	3.00	22,800	0.81	3.25	20,500	0.85	3.52
	75/57	30,900	1.00	2.50	28,100	1.00	2.79	23,600	1.00	2.97	21,500	1.00	3.22	19,500	1.00	3.51

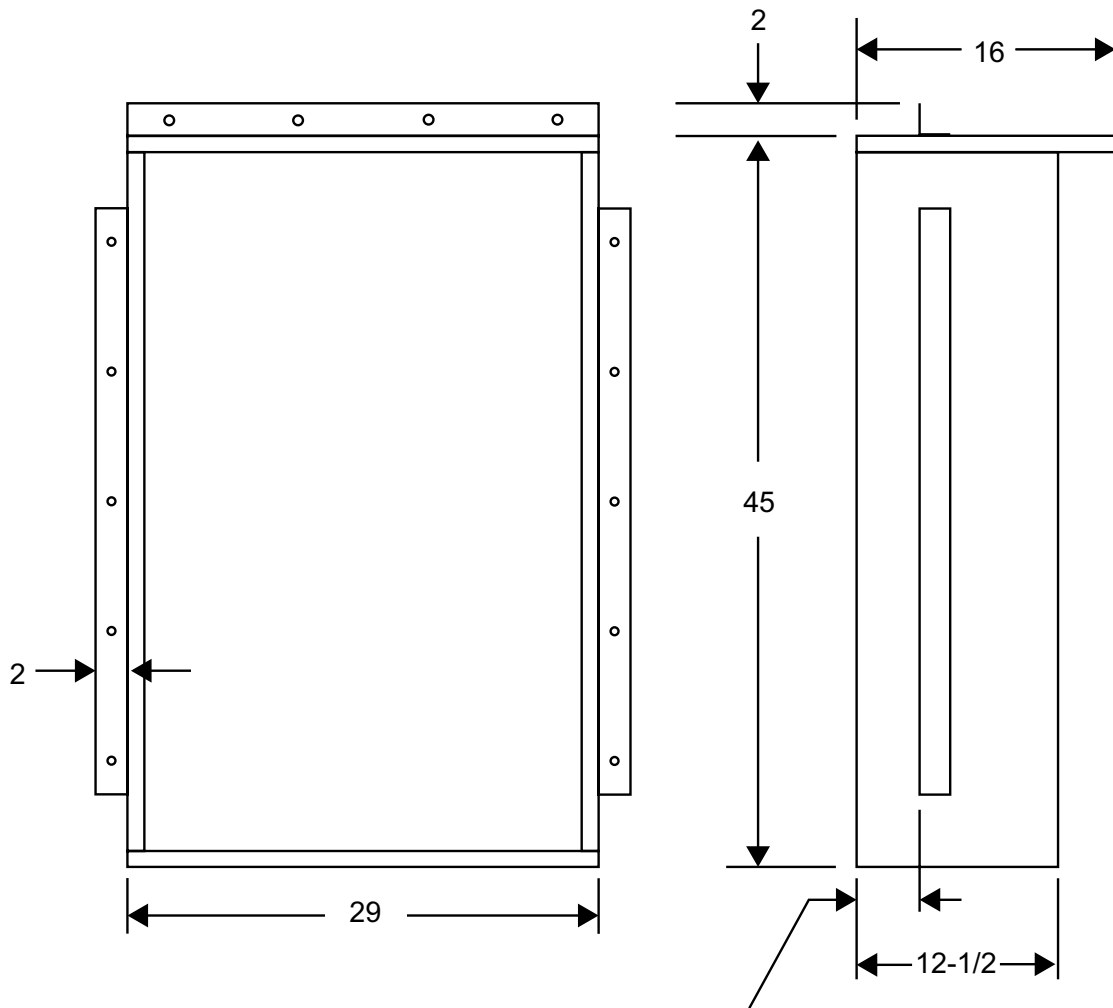
### ACCESSORIES

Description	Kit #	Where Used
Wall Sleeve	CA239	All EWCs
Decorative External Louver Clear Anodized Aluminum	ALVR42	
Decorative External Louver Painted Aluminum	ALVR42P	

### UNIT DIMENSIONS



### WALL SLEEVE DIMENSIONS



Flange may be assembled  
1" or 3-3/4" from front of sleeve



215 Metropolitan Drive | West Columbia, SC 29170  
800-448-5872  
Product Support 866-282-7257  
www.magic-pak.com

All specifications and illustrations subject to change  
without notice and without incurring obligations.