



INSTALLATION AND MAINTENANCE INSTRUCTIONS

MCE4-12/14 Series

Electric Cooling / Electric Heating Packaged Unit

Save these instructions for future reference



This is a safety alert symbol and should never be ignored. When you see this symbol on labels or in manuals, be alert to the potential for personal injury or death.

Installation

WARNING

These units are not approved for mobile home applications. Such use could result in property damage, personal injury, or death.

Table of Contents

Installation	1
Operation	11
Maintenance	12
Accessories	12
Wiring Diagrams	14

WARNING

Improper installation, adjustment, alteration, service or maintenance can cause property damage, personal injury or loss of life. Installation and service must be performed by a licensed professional installer (or equivalent), service agency or the gas supplier.

General

These instructions explain the recommended method of installation of the MagicPak All-In-One™ HVAC system model MCE4 electric cooling unit and associated electrical wiring.

These instructions, and any instructions packaged with mating components and/or accessories, should be carefully read prior to beginning installation. Note particularly any **CAUTIONS** or **WARNINGS** in these instructions and all labels on the units.

Manufactured By
Allied Air Enterprises LLC
A Lennox International Inc. Company
215 Metropolitan Drive
West Columbia, SC 29170



(P) 508195-01

CAUTION

The installation of this appliance must conform to the requirements of the National Fire Protection Association; the National Electrical Code, ANSI/NFPA No. 70 (latest edition) in the United States; the Canadian Electrical Code Part 1, CSA 22.2 (latest edition) in Canada; and any state or provincial laws or local ordinances. Local authorities having jurisdiction should be consulted before installation is made. Such applicable regulations or requirements take precedence over the general instructions in this manual.

Check that equipment complies with all applicable building codes, laws, and regulations for its intended use prior to installation.

The MCE4 unit is a self-contained electric cooling unit with optional epoxy-coated coils. This unit has been examined for compliance with Canadian Standards Association CAN/CSA-C22.2 No. 236 (latest edition) and Underwriters Laboratories UL 1995. This unit is also in compliance with AHRI Performance Standard 210/240. Any alterations of internal wiring will void these listings and warranties.

These instructions are intended as a general guide only, for use by qualified personnel and do not supersede any national or local codes in any way. Compliance with all local, state, provincial, or national codes pertaining to this type of equipment should be determined prior to installation.

Units certified for less than 2% cabinet leakage using ANSI/ASHRAE 193 (complies with IECC 2015) are identified on the rating plate.

⚠ WARNING

Installation and servicing of air conditioning equipment can be hazardous due to internal refrigerant pressure and live electrical components. Only trained and qualified service personnel should install or service this equipment. Installation and service performed by unqualified persons can result in property damage, personal injury, or death.

⚠ WARNING

For your safety, do not store or use gasoline or other flammable vapors and liquids in the vicinity of this or any other appliance. Such actions could result in property damage, personal injury, or death.

⚠ WARNING

The unit must be installed with approved wall sleeve and louver accessories for safe operation. Improper installations could result in property damage, personal injury, or death. Refer to the **Accessories** section for additional details on wall sleeves and louvers.

Inspection

Upon receipt of equipment, carefully inspect it for possible shipping damage. If damage is found, it should be noted on the carrier's freight bill. Take special care to examine the unit inside the carton if the carton is damaged. File a claim with the transportation company. **If any damage is discovered and reported to the carrier, do not install the unit, as claim may be denied.**

Check the unit rating plate to confirm specifications are as ordered.

Limitations

The unit should be installed in accordance with all national and local safety codes.

Limitations of the unit and appropriate accessories must also be observed.

The outdoor fan is designed to operate against no more than .10" w.c. static pressure.

Minimum and maximum operation conditions must be observed to assure proper system performance. Refer to Table 1 for the ambient operating limitations of the unit.

Outdoor Ambient Air Temperature °F		
Minimum DB	Maximum DB	
Cool	Cool	Heat
65	115	75

Indoor Ambient Air Temperature °F			
Minimum		Maximum	
DB/WB	DB	DB/WB	DB
Cool	Heat	Cool	Heat
62/57	50	90/72	80

DB = Dry Bulb
WB = Wet Bulb

Table 1. Ambient Temperature Limitations

Location

For information on wall sleeves and louver accessories, see the **Accessories** section.

This unit is designed to be installed in up to the wall (exterior wall) installation only. Refer to Figure 2 for additional details.

The outside of the unit may be flush with the face of the exterior wall, and it should not be obstructed with trees, landscape materials, or building structure. Unit can be installed recessed with appropriate wall sleeve accessories. There is no minimum clearance required on locating the unit to an interior corner of a building.

If the unit is installed in a residential garage, it must be located or protected to avoid physical damage by vehicles. The unit must be installed so that no electrical components are exposed to water.

⚠ CAUTION

This unit must be installed level to allow for proper drainage of the unit base pan and indoor drain pan.

Unit Dimensions (in.)

Model	A	B*	C	D	E	F	G	H	J	K	L	M	N
*MCE4-12-091*P *MCE4-12-121*P *MCE4-12-181*P	43-7/8	16-7/8	25-1/4	21-1/2	18-5/8	19-1/4	6	8	16	17-1/16	3/4	2-1/4	24-5/8
*MCE4-12-241*P	47-7/8	18-7/8	27-1/4	24-3/8	20-5/8	21-1/4	6	8	16	19-1/16	3/4	2-5/8	26-5/8
*MCE4-12-301*P	55-7/8	22-7/8	31-1/4	24-3/8	24-5/8	25-1/4	6	11-3/8	10-7/16	22-7/16	3-3/4	1	30-5/8
*MCE4-14-361*P	67-7/8	26-7/8	35-1/4	24-3/8	28-5/8	29-1/4	10	11-3/8	10-7/16	22-7/16	3-3/4	1	38-5/8

* Dimension B represents the height of the optional front return air duct opening

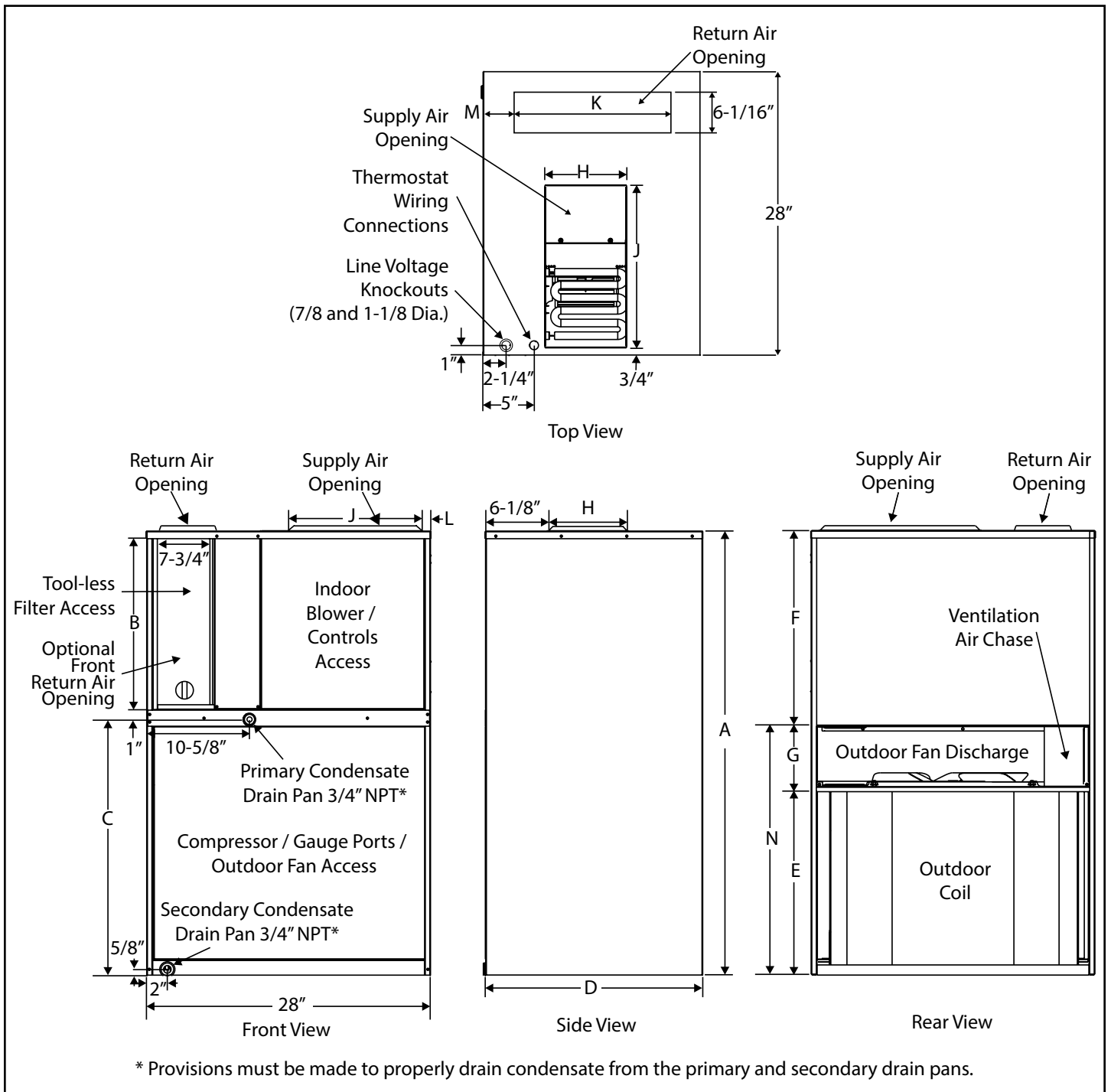


Figure 1.

Accessibility Clearances

The front of the unit must be accessible for service. A minimum clearance of 30" in front of unit is required for service.

If the unit is enclosed, a door or access panel aligned with the front of the unit is the preferred method of providing access. The door or access panel opening must be a minimum of 30" wide (centered on the unit) and be as tall as the unit.

IMPORTANT

The unit must be installed with approved wall sleeve and louver accessories for safe operation. Improper installations could result in property damage, personal injury, or death.

Supply Duct Clearances

Minimum Clearances to Combustible Materials ¹		
Front	Sides	Top
0"	0"	0"

¹ Accessibility clearances take precedence

Unit Clearances

Return Duct Configuration	Unit Height	Minimum Clearances ¹	
		Front	Sides ³
Ducted Top Opening	All	Note 2	1"
Ducted Front Opening ⁵	All	Notes 2 & 4	1"
Non-Ducted/ Free Return	43"	4"	1"
	48" - 68"	5"	1"

¹ Accessibility clearances take precedence

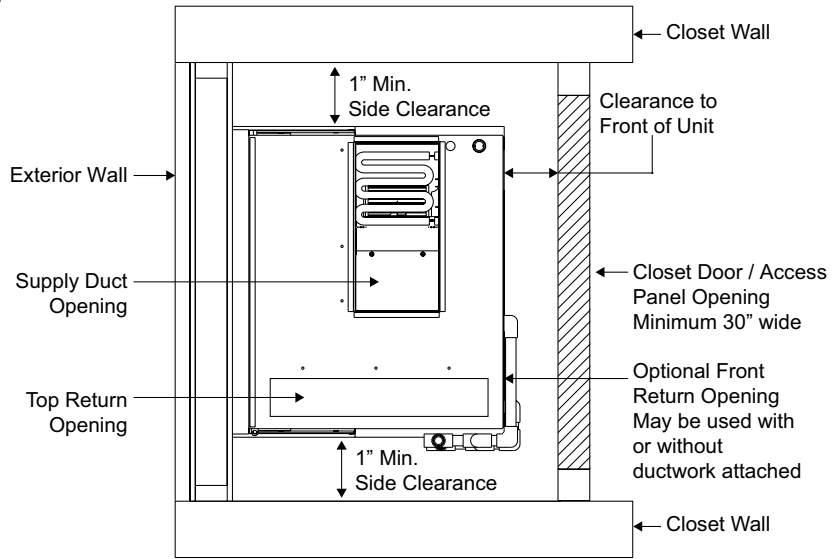
² Clearance must accommodate field-installed condensate drain line / drain trap

³ Additional clearance required if field-installed condensate drain line/drain trap is routed alongside unit

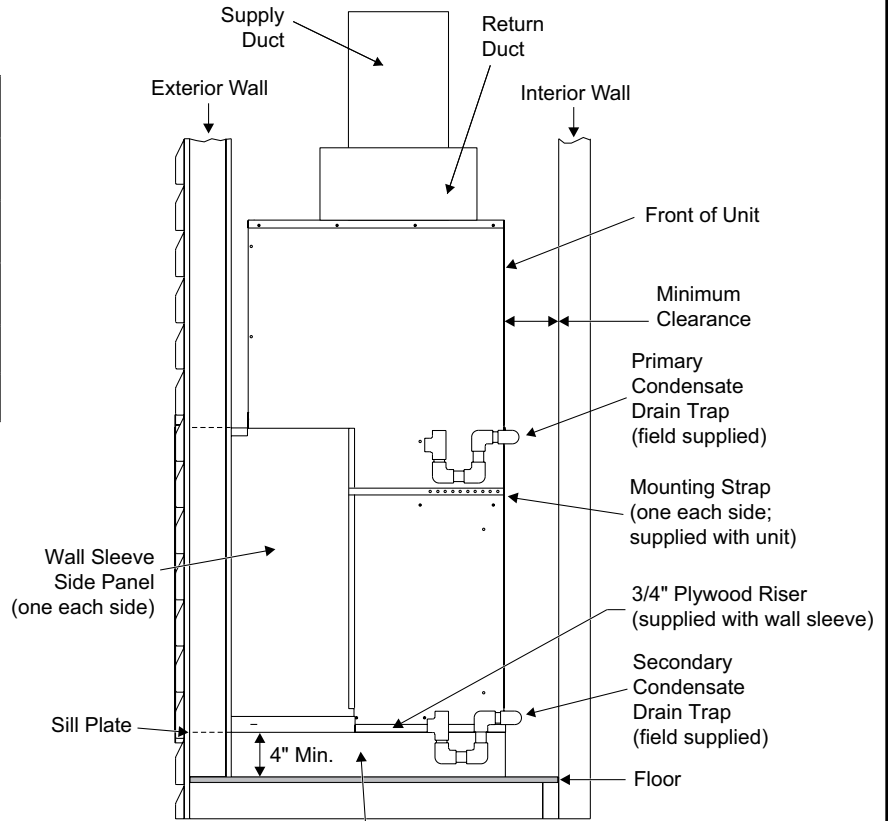
⁴ Consult local codes for other clearance requirements

⁵ If ductwork is attached to the optional front return opening, provisions to service unit filter must be provided

Top View



Side View



Platform (field supplied) - Unit must be supported by platform, which must be level with sill plate of opening in exterior wall.

Figure 2. Minimum Clearances

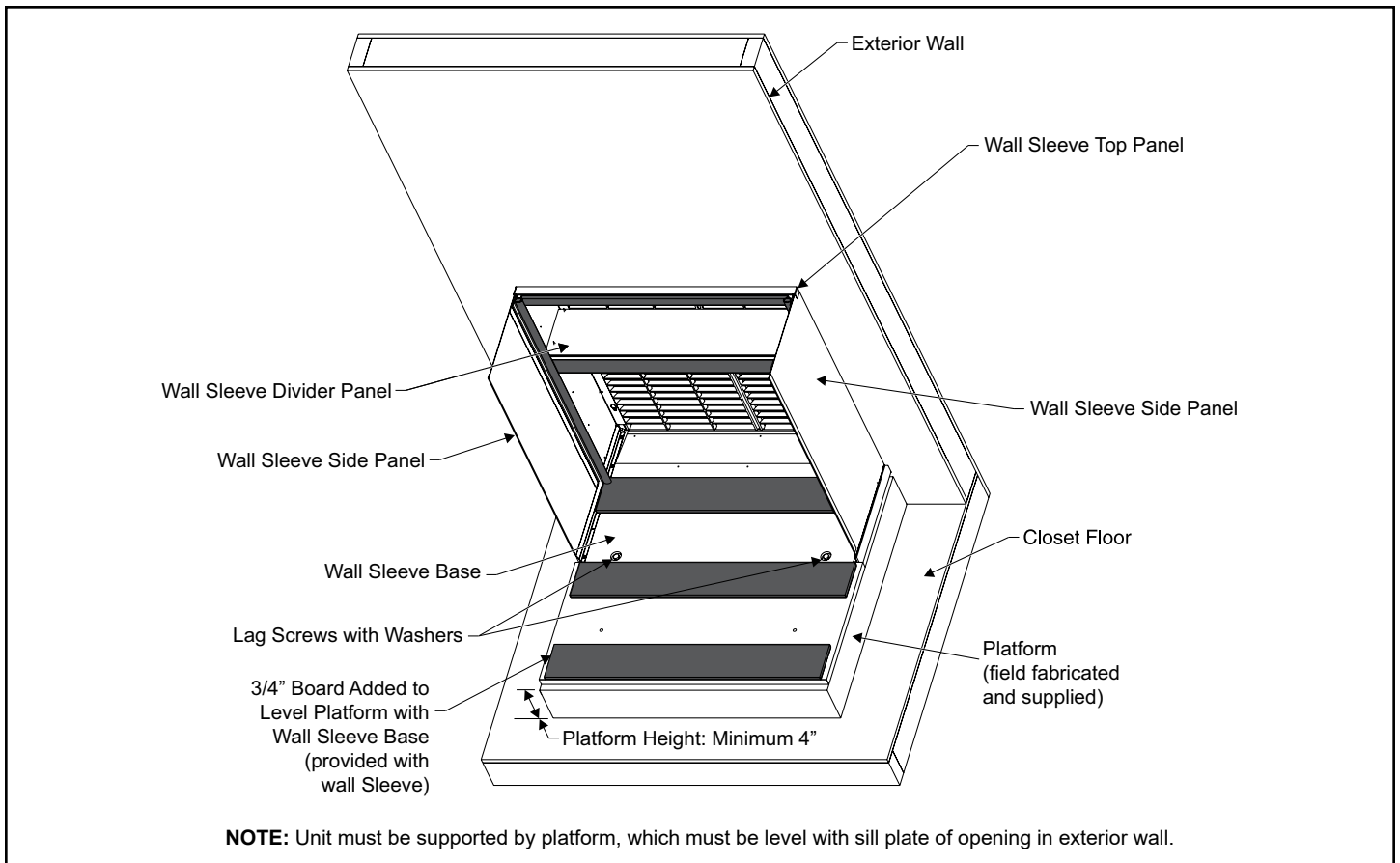


Figure 3. Wall Sleeve and Louver Kit Installation

Wall Sleeve and Louver Installation

Refer to installation instructions included with the wall sleeve kit and the louver along with Figure 3 for guidance in assembling and installing the wall sleeve and louver.

CAUTION

The sleeve is not intended as the sole support for the unit. An additional support must be provided for adequate support (see Figure 3).

Installing and Securing Unit to Wall Sleeve

1. Before installing and securing the unit to the wall sleeve, make sure that the proper louver is installed.
2. Make sure the gaskets attached to the sleeve are not damaged.
3. Verify divider panel is positioned properly. Refer to Table 2 for wall sleeves that allow for multiple divider panel locations.

Model	ASLEEVE** -2	ASLEEVE** -5	Orientation of Flange
	Two Positions	Three Positions	
MCE4-12-09,12,18	Lower	Lower	Down
MCE4-12-24			Up
MCE4-12-30	Upper	Middle	
MCE4-14-36	N/A	Upper	

Table 2.

4. Place the unit into the wall sleeve. **Lift leading end of unit and walk unit onto the sleeve.** Once in the wall sleeve, lower the unit into position. This prevents damage to the base pads. Assure that the unit is level and completely seated against the gaskets on the wall sleeve. The unit must be supported by a field-supplied base platform.

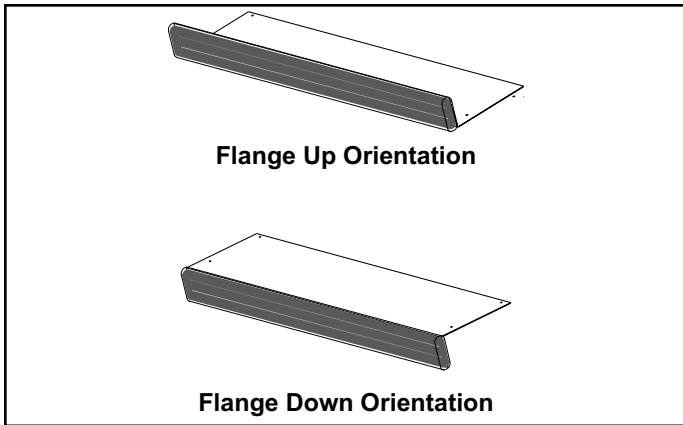


Figure 4. Positioning Divider Panel

5. Use the two installation brackets to secure the unit to the wall sleeve (see Figure 5). The units are shipped with the brackets placed in the return air compartment. Hook each bracket into the front edge of the wall sleeve side. Position the bracket so it can be bent around the front corner of the unit. Remove one of the two screws in that position on the unit. Line up one of the holes in the installation bracket with the screw hole and attach the bracket to the unit with that screw. Make sure to fasten tight enough that the seal is maintained. Trim off excess bracket if applicable.

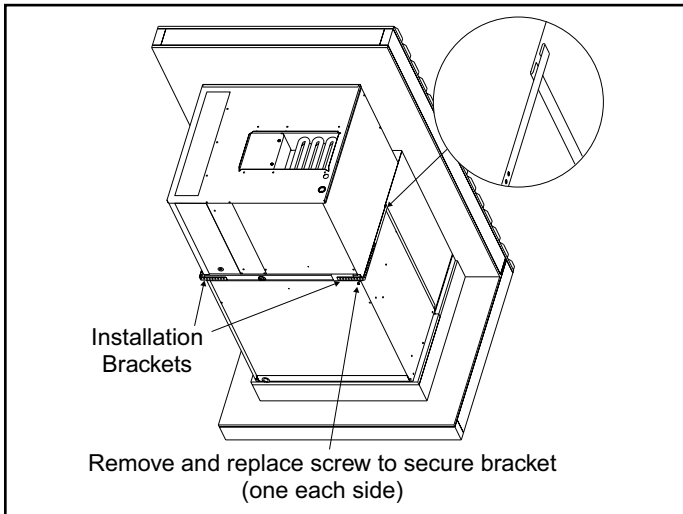


Figure 5. Securing Unit

⚠ CAUTION

Do not screw into the side of the drain pan, the indoor coil or the heat strip, which is located above the installation bracket.

6. Inspect the fit up of the unit to the wall sleeve. Verify that the gaskets of the wall sleeve make a complete seal to the unit paying particular attention to top and bottom corners of unit to sleeve seal. Caulk if needed.

Ductwork

Ductwork should be designed and sized according to the methods in Manual Q of the Air Conditioning Contractors of America (ACCA).

Check unit supply and return air outlets for debris before making ductwork connections.

It is recommended that supply and return duct connections at the unit be made with flexible joints. If flexible ducts are used, a 6" sheet metal starter collar is required.

The supply and return air duct systems should be fabricated per the designed CFM and static requirements of the job (see Table 3). **Ductwork should not be sized to match the dimensions of the duct connections on the unit.** The return duct should be sealed to the unit casing and terminate outside the space containing the unit.

Optional Front Return

As shipped, units are configured for attaching supply and return ductwork to the top of the unit. Return air may be brought in through the optional front return opening. To open the optional front return and close off the top return opening, perform the following steps.

1. Rotate knob to release filter access panel and remove panel.
 - a. For all units except 3-ton models, position filter access panel to close off top return opening. Secure at rear using two sheet metal screws. Secure in front using knob. See Figure 6.
 - b. For 3-ton models, field fabricate a sheet metal panel to close off the top return opening.
2. Seal panel to top of unit with tape or mastic.

NOTE: If ductwork is attached to the optional front return opening, provisions to service unit filter must be provided. Filter may need to be relocated to a suitable location outside the cabinet for ease of service.

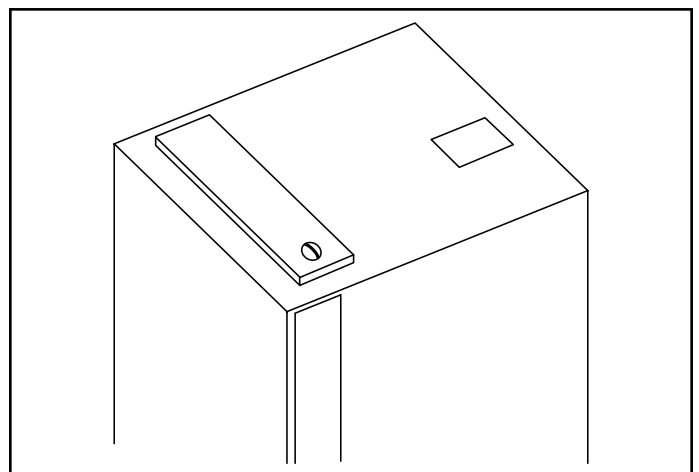


Figure 6. Secure Filter Access Panel

Airflow Performance as a Function of External Static Pressure

Model	Indoor Blower Speed	0.1 "w.c.			0.2 "w.c.			0.3 "w.c.			0.4 "w.c.			0.5 "w.c.			
		SCFM	Watts	HP	SCFM	Watts	HP	SCFM	Watts	HP	SCFM	Watts	HP	SCFM	Watts	HP	
*MCE4-12-091*P	(FAN)	355	28	0.04	320	31	0.04	275	35	0.05	230	38	0.05	160	42	0.06	
	(COOL)†	375	31	0.04	330	33	0.04	285	37	0.05	N/A	N/A	N/A	N/A	N/A	N/A	
	(COOL)	N/A	N/A	N/A	N/A	N/A	N/A	390	55	0.07	370	58	0.08	330	62	0.08	
	0 kW	TAP 4 (HEAT)*	375	31	0.04	330	33	0.04	285	37	0.05	240	40	0.05	180	44	0.06
		TAP 5 (HEAT)	465	47	0.06	425	51	0.07	390	55	0.07	370	58	0.08	330	62	0.08
	3 kW	TAP 4 (HEAT)*	430	41	0.05	410	45	0.06	385	49	0.07	N/A	N/A	N/A	N/A	N/A	N/A
		TAP 5 (HEAT)	520	58	0.08	500	63	0.08	475	68	0.09	440	73	0.10	400	77	0.10
	5 kW	TAP 4 (HEAT)*	525	59	0.08	505	65	0.09	480	69	0.09	N/A	N/A	N/A	N/A	N/A	N/A
TAP 5 (HEAT)		615	81	0.11	590	88	0.12	560	94	0.13	530	99	0.13	500	103	0.14	
*MCE4-12-121*P	TAP 1 (FAN)	355	28	0.04	320	31	0.04	275	35	0.05	230	38	0.05	160	42	0.06	
	TAP 2 (COOL)†	420	40	0.05	380	42	0.06	355	46	0.06	N/A	N/A	N/A	N/A	N/A	N/A	
	TAP 3 (COOL)	N/A	N/A	N/A	480	62	0.08	445	66	0.09	415	70	0.09	380	74	0.10	
	0 kW	TAP 4 (HEAT)*	420	40	0.05	380	42	0.06	355	46	0.06	315	50	0.07	275	54	0.07
		TAP 5 (HEAT)	515	58	0.08	480	62	0.08	445	66	0.09	415	70	0.09	380	74	0.10
	3 kW	TAP 4 (HEAT)*	430	41	0.05	410	45	0.06	385	49	0.07	N/A	N/A	N/A	N/A	N/A	N/A
		TAP 5 (HEAT)	520	58	0.08	500	63	0.08	475	68	0.09	440	73	0.10	400	77	0.10
	5 kW	TAP 4 (HEAT)*	525	59	0.08	505	65	0.09	480	69	0.09	N/A	N/A	N/A	N/A	N/A	N/A
TAP 5 (HEAT)		615	81	0.11	590	88	0.12	560	94	0.13	530	99	0.13	500	103	0.14	
*MCE4-12-181*P	TAP 1 (FAN)	355	28	0.04	320	31	0.04	275	35	0.05	230	38	0.05	160	42	0.06	
	TAP 2 (COOL)†	660	103	0.14	640	109	0.15	610	114	0.15	580	119	0.16	550	124	0.17	
	TAP 3 (COOL)	725	131	0.18	710	135	0.18	685	140	0.19	660	146	0.20	640	152	0.20	
	0 kW	TAP 4 (HEAT)*	660	103	0.14	640	109	0.15	610	114	0.15	580	119	0.16	550	124	0.17
		TAP 5 (HEAT)	725	131	0.18	710	135	0.18	685	140	0.19	660	146	0.20	640	152	0.20
	3 kW	TAP 4 (HEAT)*	430	41	0.05	410	45	0.06	385	49	0.07	N/A	N/A	N/A	N/A	N/A	N/A
		TAP 5 (HEAT)	520	59	0.08	500	63	0.08	475	67	0.09	440	72	0.10	400	77	0.10
	5 kW	TAP 4 (HEAT)*	525	60	0.08	505	65	0.09	480	70	0.09	N/A	N/A	N/A	N/A	N/A	N/A
		TAP 5 (HEAT)	615	81	0.11	590	88	0.12	560	95	0.13	530	100	0.13	500	103	0.14
	7 kW	TAP 4 (HEAT)*	685	108	0.14	670	116	0.16	645	122	0.16	N/A	N/A	N/A	N/A	N/A	N/A
		TAP 5 (HEAT)	N/A	N/A	N/A	770	160	0.21	750	166	0.22	720	172	0.23	700	177	0.24
	10 kW	TAP 4 (HEAT)*	N/A	N/A	N/A	770	160	0.21	750	166	0.22	N/A	N/A	N/A	N/A	N/A	N/A
TAP 5 (HEAT)		N/A	N/A	N/A	N/A	N/A	N/A	N/A	N/A	N/A	820	226	0.30	800	230	0.31	

N/A: Do not operate unit using this blower speed at this external static pressure.

† As shipped speed for Cooling operation. Blower speed must be field adjusted to Speed Tap 3 for higher duct static applications.

* As shipped speed for Heating operation. Blower speed must be field adjusted to Speed Tap 5 for higher duct static applications.

Table 3. Blower Performance (208V or 230V)

Airflow Performance as a Function of External Static Pressure																	
Model	Indoor Blower Speed	0.1 "w.c.			0.2 "w.c.			0.3 "w.c.			0.4 "w.c.			0.5 "w.c.			
		SCFM	Watts	HP	SCFM	Watts	HP	SCFM	Watts	HP	SCFM	Watts	HP	SCFM	Watts	HP	
*MCE4-12-241*P	TAP 1 (FAN)	455	41	0.05	420	45	0.06	385	49	0.07	365	52	0.07	320	57	0.08	
	TAP 2 (COOL)†	810	146	0.20	790	158	0.21	780	166	0.22	755	173	0.23	735	179	0.24	
	TAP 3 (COOL)	870	179	0.24	860	184	0.25	845	194	0.26	815	202	0.27	785	206	0.28	
	0 kW	TAP 4 (HEAT)*	810	146	0.20	790	158	0.21	780	166	0.22	755	173	0.23	735	179	0.24
		TAP 5 (HEAT)	870	179	0.24	860	184	0.25	845	194	0.26	815	202	0.27	785	206	0.28
	5 kW	TAP 4 (HEAT)*	555	65	0.09	540	69	0.09	510	73	0.10	480	76	0.10	N/A	N/A	N/A
		TAP 5 (HEAT)	645	88	0.12	630	94	0.13	605	100	0.13	580	105	0.14	550	110	0.15
	7 kW	TAP 4 (HEAT)*	775	140	0.19	765	145	0.19	745	150	0.20	725	154	0.21	N/A	N/A	N/A
		TAP 5 (HEAT)	875	184	0.25	865	193	0.26	845	201	0.27	825	208	0.28	800	215	0.29
	10 kW	TAP 4 (HEAT)*	875	184	0.25	865	193	0.26	845	201	0.27	825	208	0.28	N/A	N/A	N/A
		TAP 5 (HEAT)	N/A	N/A	N/A	N/A	N/A	N/A	N/A	N/A	N/A	960	272	0.36	900	276	0.37
	*MCE4-12-301*P	TAP 1 (FAN)	590	42	0.06	530	48	0.06	430	55	0.07	380	60	0.08	315	65	0.09
TAP 2 (COOL)†		1015	152	0.20	985	161	0.22	940	170	0.23	910	177	0.24	875	184	0.25	
TAP 3 (COOL)		N/A	N/A	N/A	N/A	N/A	N/A	N/A	N/A	N/A	1015	219	0.29	980	227	0.30	
0 kW		TAP 4 (HEAT)*	1015	152	0.20	985	161	0.22	940	170	0.23	910	177	0.24	875	184	0.25
		TAP 5 (HEAT)	N/A	N/A	N/A	N/A	N/A	N/A	N/A	N/A	N/A	1015	219	0.29	980	227	0.30
5 kW		TAP 4 (HEAT)*	740	65	0.09	705	74	0.10	640	83	0.11	N/A	N/A	N/A	N/A	N/A	N/A
		TAP 5 (HEAT)	820	81	0.11	790	91	0.12	740	100	0.13	675	109	0.15	600	117	0.16
7 kW		TAP 4 (HEAT)*	860	91	0.12	835	100	0.13	795	108	0.14	N/A	N/A	N/A	N/A	N/A	N/A
		TAP 5 (HEAT)	945	112	0.15	925	122	0.16	885	132	0.18	845	140	0.19	800	148	0.20
10 kW		TAP 4 (HEAT)*	945	112	0.15	925	122	0.16	885	132	0.18	N/A	N/A	N/A	N/A	N/A	N/A
		TAP 5 (HEAT)	N/A	N/A	N/A	N/A	N/A	N/A	980	161	0.22	940	170	0.23	900	179	0.24
*MCE4-14-361*P		TAP 1 (FAN)	680	61	0.08	630	68	0.09	575	74	0.10	525	79	0.11	460	86	0.12
	TAP 2 (COOL)†	1235	260	0.35	1200	272	0.36	1166	284	0.38	1135	295	0.40	1100	305	0.41	
	TAP 3 (COOL)	N/A	N/A	N/A	N/A	N/A	N/A	1250	330	0.44	1215	342	0.46	1180	354	0.47	
	0 kW	TAP 4 (HEAT)*	1235	260	0.35	1200	272	0.36	1166	284	0.38	1135	295	0.40	1100	305	0.41
		TAP 5 (HEAT)	N/A	N/A	N/A	N/A	N/A	N/A	1250	330	0.44	1215	342	0.46	1180	354	0.47
	5 kW	TAP 4 (HEAT)*	740	75	0.10	695	82	0.11	640	90	0.12	N/A	N/A	N/A	N/A	N/A	N/A
		TAP 5 (HEAT)	815	92	0.12	785	100	0.13	745	108	0.14	700	115	0.15	650	122	0.16
	7 kW	TAP 4 (HEAT)*	815	92	0.12	785	100	0.13	745	108	0.14	N/A	N/A	N/A	N/A	N/A	N/A
		TAP 5 (HEAT)	910	117	0.16	880	126	0.17	840	135	0.18	800	143	0.19	750	150	0.20
	10 kW	TAP 4 (HEAT)*	1010	143	0.19	980	155	0.21	945	166	0.22	N/A	N/A	N/A	N/A	N/A	N/A
		TAP 5 (HEAT)	1085	175	0.23	1065	187	0.25	1030	198	0.27	995	209	0.28	950	219	0.29

N/A: Do not operate unit using this blower speed at this external static pressure.
† As shipped speed for Cooling operation. Blower speed must be field adjusted to Speed Tap 3 for higher duct static applications.
* As shipped speed for Heating operation. Blower speed must be field adjusted to Speed Tap 5 for higher duct static applications.

Table 3. Blower Performance (208V or 230V)

Filter

All return air must be filtered. A washable filter is furnished with the unit, located in the return air compartment. If the optional front return opening is used and a duct is installed, provisions must be made to accommodate filter servicing. **If a filter is installed at a separate central return location, then the factory furnished filter must be removed from the unit.**

The washable filter may be replaced with a disposable filter. Avoid filter with paper frame and media; if it gets wet, it could collapse and block the coil, restricting airflow and causing issues with unit operation. Table 4 lists filter sizes that fit the unit.

Model Number	Filter Size (in.)
MCE4-12-09 *MCE4-12-12* *MCE4-12-18*	18 x 20 x 1
MCE4-12-24	20 x 22 x 1
MCE4-12-30	22 x 24 x 1
MCE4-14-36	22 x 28 x 1

Table 4. Filter Sizes

When proper duct design is applied, field-provided filters up to MERV 6 can typically be installed in the unit's factory filter location in lieu of a washable filter. If a higher resistance filter is field installed in the unit, the added resistance must be included in the external static pressure and must not exceed 0.5 in. w.c., including ductwork.

If an installation is made in which it is more desirable to mount the filter exterior to the unit, in the return duct work or elsewhere, the washable filter can be used or replaced with a disposable filter. If a disposable filter is used, in lieu of washable filter, use the information provided in Table 5 when sizing the disposable filter.

Model Number	Filter Area (in ²)
MCE4-12-09 *MCE4-12-12*	250
0MCE4-12-18* 3MCE4-12-18* 5MCE4-12-18*	310
7MCE4-12-18* 10MCE4-12-18*	380
MCE4-12-24	420
MCE4-12-30	480
MCE4-14-36	575

Table 5. Minimum Required Surface Area for Disposable Filters

Condensate Drain

Provisions must be made to properly drain the primary and secondary drain pans of this appliance.

Primary drain and secondary drain connection: 3/4" NPT to 3/4" PVC fitting (schedule 40 minimum). Both drains must be trapped as shown in Figure 7. The drain line should pitch gradually downward at least 1" per 10' of horizontal run to an open drain.

If local codes require the use of metal condensate lines, do not thread metal fittings into the unit drain pans. Thread a PVC fitting into the unit drain pans and make the field connection to the PVC fitting.

NOTE: *These units are designed with a redundant drain system to handle condensate without the need for an emergency drain pan. Should the indoor coil condensate drain system fail, all water is contained within the unit and the flow is directed into the unit base pan. From there it will drain into the condensate riser. If for some reason the water cannot drain into the main condensate riser, all water is contained in the unit, and the design will allow drainage out through the wall sleeve and louver to the outside of the building.*

CAUTION

Use thread sealant on the threaded fittings. Install threaded fittings by hand only. **Do not over torque the fittings.**

Do not thread metal condensate fittings to unit drain pans.

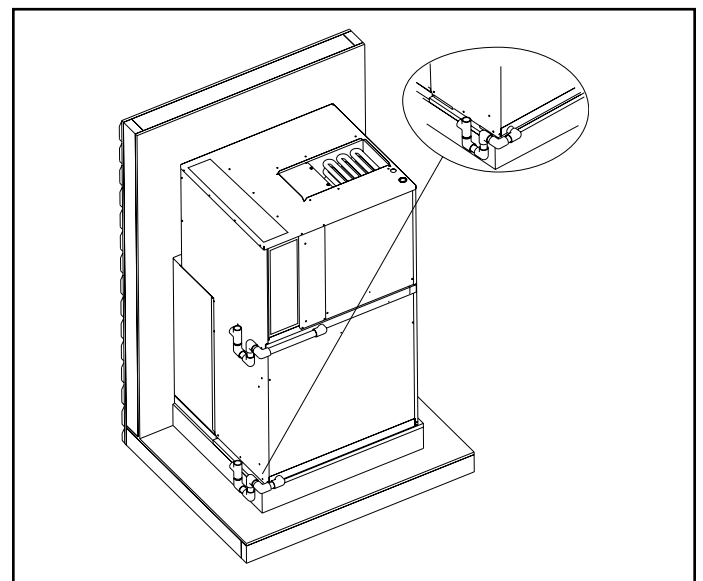


Figure 7. Condensate Drain Installation

Ventilation Air

Units ship with a panel installed that seals the return air compartment at the ventilation air intake. Installers can choose to remove the factory-installed panel and use the field-provided ventilation damper if introduction of ventilation air is desired.

NOTE: *If ventilation air is introduced, the quantity of air and conditions of this air must be accounted for in the load calculations.*

The auxiliary panel has nine knockouts to configure ventilation air flow to installation requirements. Use Table 6 and Figure 8 to determine which knockouts to remove from the auxiliary panel in order to achieve the desired ventilation air flow. Use a flat head screw driver to remove the knockouts. Set the factory-installed panel aside for possible future changes.

⚠ WARNING

The location of ventilation air capable models must conform to the requirements of National Fire Protection Association NFPA No. 54 in regards to proximity of forced air inlets to flue gas terminals. Improper installation could result in personal injury or death.

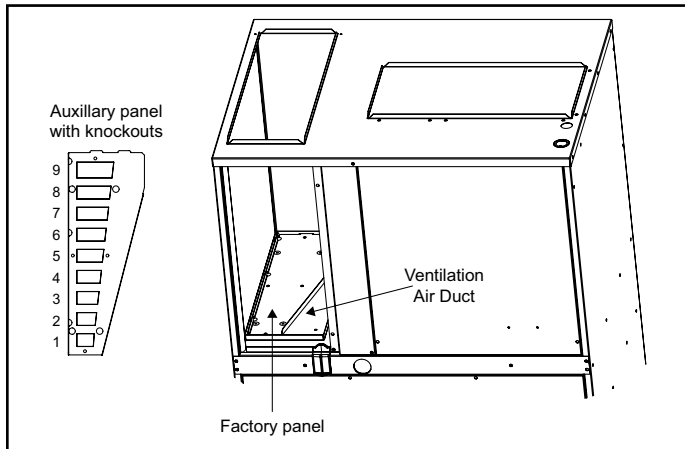


Figure 8. Auxiliary and Factory Panel for Ventilation Air

Ventilation Air (CFM) *						
Cumulative Knockouts Removed	Total External Static Pressure (supply + return) **					
	0.1	0.2	0.3	0.4	0.5	
0.75, 1.0, 1.5 TON	# 1 Only	7	9	12	15	18
	#1 thru #2	10	15	20	24	28
	#1 thru #3	12	18	25	32	38
	#1 thru #4	18	28	36	45	54
	#1 thru #5	23	35	46	57	69
	#1 thru #6	27	41	54	67	80
	#1 thru #7	32	48	63	78	93
	#1 thru #8	37	55	73	90	107
	#1 thru #9	41	61	80	100	118

2.0, 2.5, 3.0 TON	# 1 Only	21	20	19	17	16
	#1 thru #2	28	27	25	24	22
	#1 thru #3	35	33	32	30	28
	#1 thru #4	45	42	40	38	35
	#1 thru #5	55	52	49	46	43
	#1 thru #6	66	62	59	55	52
	#1 thru #7	79	75	71	66	62
	#1 thru #8	91	86	81	76	71
	#1 thru #9	105	99	94	88	82

* Assumes proper speed tap adjustments to maintain nominal supply air CFM

** Assumes equal supply and return static pressures

Table 6.

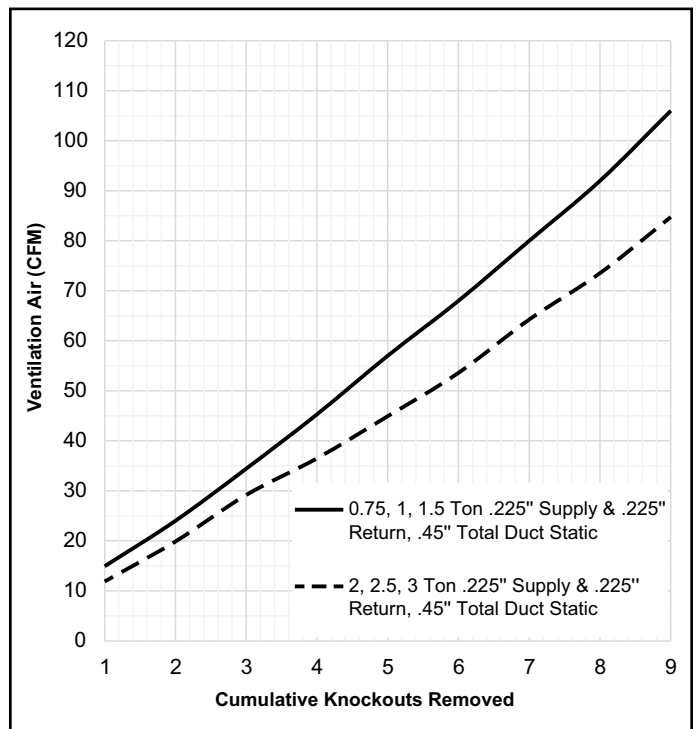


Figure 9. Ventilation Air CFM

Thermostat

The room thermostat should be located on an inside wall where it will not be subject to drafts, sun exposure, or heat from electrical fixtures or appliances. Follow manufacturer's instructions enclosed with the thermostat for general installation procedures. Color-coded insulated wires (#18 AWG) should be used to connect the thermostat to the unit.

Electrical Connections

The unit must be electrically grounded in accordance with local codes or, in the absence of local codes, with the National Electrical Code ANSI/NFPA No. 70 (latest edition) or CSA C22.2 Part 1 (latest edition). Any alteration of internal wiring will void certification and warranty.

Units are factory wired for a 230 volt power supply. If power supply is 208 volts, it will be necessary to change a wire connection on unit transformer from 240 volt terminal to 208 volt terminal as shown on the wiring diagram.

Use wiring with a temperature limitation of 75°F minimum. Run the 208 or 230 volt, single phase, 60 hertz electric power supply through a fused disconnect switch to the control box of the unit and connect as shown in the unit's wiring diagram.

The power supply to the unit must be NEC Class 1 and must comply with all applicable codes. A fused disconnect switch should be field provided for the unit, and must be separate from all other circuits. If any of the wire supplied with the unit must be replaced, replacement wire must be of the type shown on the wiring diagram.

Electrical wiring must be sized to minimum circuit ampacity (MCA) marked on the unit. **Use copper conductors only.** Each unit must be wired with a separate branch circuit and be properly fused.

Operation

Sequence of Operation

Upon initial "power up" to unit, there is a 3-minute time delay to the compressor contactor (R to Y). Any 24V interrupt (R, C) to the defrost control will initiate the 3-minute delay to the contactor.

Cooling

When the thermostat is in the cooling mode, the O circuit is powered which energizes the reversing valve. Upon cooling demand, the thermostat closes circuit R to Y and G. Closing R to Y closes the unit contactor, starting the compressor and outdoor fan, and signaling the indoor blower to run at cooling speed. Upon satisfying cooling demand, the thermostat will open the above circuits and open the main contactor, stopping the compressor and outdoor fan. The unit is equipped with a blower OFF delay; the blower will continue to operate for a fixed 90 seconds after the thermostat is satisfied.

Heating

Upon heating demand, the thermostat closes circuit R to W. On units supplied with heat strips, the sequencers are then energized and bring on the auxiliary electric heat. Units with no factory heat installed contain an auxiliary heat relay that will close, energizing the 24VAC output. This output can be used to control (not power) an auxiliary heat source. The W signal from the thermostat brings the indoor blower on at electric heat speed. Upon satisfying heating demand, the thermostat opens the above circuits and stops unit operation.

The unit is equipped with a blower OFF delay; the blower will continue to operate for a fixed 120 seconds (electric heat) after the thermostat is satisfied.

NOTE: *The 7.2 and 10 kW heats strips offer a W1 and W2 thermostat connection. Taking advantage of the two heat strip circuits requires a 2-stage thermostat (W1 for electric heat stage 1 and W2 for electric heat stage 2). If a single stage thermostat is used, "pigtail" W1 and W2 wires together when connecting the thermostat wires at the unit.*

Maintenance

⚠ WARNING

Disconnect all electrical power to the unit before conducting any maintenance procedures. Failure to disconnect the power could result in personal injury or death.

The refrigeration system normally requires no maintenance since it is a closed, self-contained system.

Periodic inspection and maintenance normally consists of changing or cleaning filters and (under some conditions) cleaning the coils.

Filter

Inspect the filter once a month. Replace disposable filter or clean the washable filter as necessary (a minimum of three times each heating or cooling season is recommended).

To clean the washable filter, shake filter to remove excess dirt and/or use a vacuum cleaner. Wash filter in soap or detergent water and replace after filter is dry.

Motors

The indoor and outdoor fan motors are permanently lubricated and require no maintenance.

Outdoor Coil

Foreign material should not be allowed to accumulate on the outdoor coil surface or other parts in the air circuit. Cleaning should be as often as necessary to keep the coil clean. To clean the coil, remove the lower access panel and blow out debris by using compressed air or water. **Be sure power to unit is shut off before using water to clean the coil.**

Care should be used when cleaning the coils so that the coil fins are not damaged.

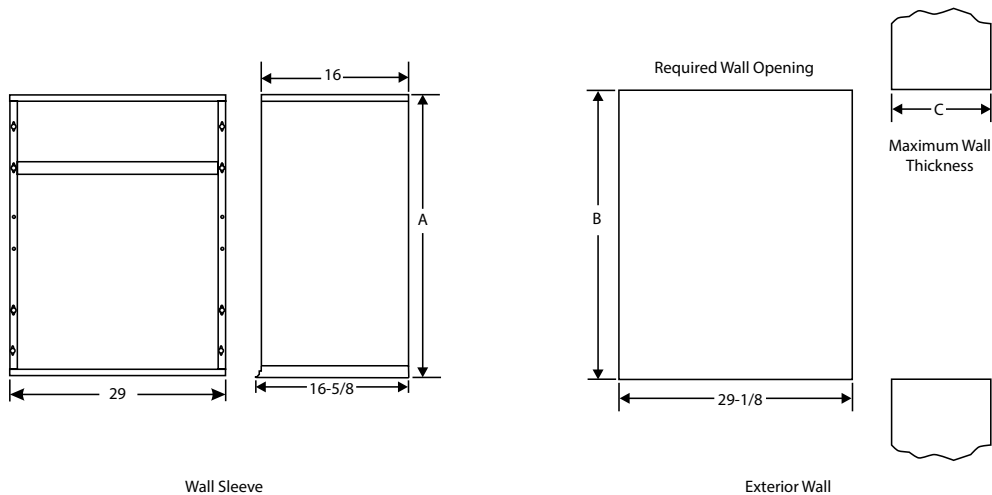
Primary and Secondary Condensate Drain

Foreign material should not be allowed to clog the drain hole. Inspect and clear drain opening prior to each heating and cooling season.

Accessories

⚠ WARNING

The unit must be installed with approved wall sleeve and louver accessories for safe operation. Improper installations could result in property damage, personal injury, or death.



Refer to Table 7 for dimension information.

Figure 10.

Wall Sleeves		Louvers			Model						Dimensions (in.)			
											Wall Sleeve	Wall Opening		
Wall Sleeve	Wall Sleeve Extension	Polypropylene Louvers	Aluminum Louvers	Impact Louvers	*MCE4-12-091*P	*MCE4-12-121*P	*MCE4-12-181*P	*MCE4-12-241*P	*MCE4-12-301*P	*MCE4-14-361*P	Height (A)	Height (B)	Depth (C)	
													Sleeve Only	Sleeve Plus Extension
ASLEEVE6-1	---	ALVRP***-1	ALVRAL-1^	ALVRALC-1^	•	•	•	•			29	29-1/8	6	---
ASLEEVE8-1	---	ALVRP***-1	ALVRAL-1^	ALVRALC-1^	•	•	•	•			29	29-1/8	8	---
ASLEEVE10-1	ASLEEVEEXT4-1	ALVRP***-1	ALVRAL-1^	ALVRALC-1^	•	•	•	•			29	29-1/8	10	14
ASLEEVE12-1	ASLEEVEEXT4-1	ALVRP***-1	ALVRAL-1^	ALVRALC-1^	•	•	•	•			29	29-1/8	12	16
ASLEEVE6-2	---	ALVRP***-2	ALVRAL-2^	ALVRALC-2^					•		32-3/4	32-7/8	6	---
ASLEEVE8-2	---	ALVRP***-2	ALVRAL-2^	ALVRALC-2^					•		32-3/4	32-7/8	8	---
ASLEEVE10-2	ASLEEVEEXT4-2	ALVRP***-2	ALVRAL-2^	ALVRALC-2^					•		32-3/4	32-7/8	10	14
ASLEEVE12-2	ASLEEVEEXT4-2	ALVRP***-2	ALVRAL-2^	ALVRALC-2^					•		32-3/4	32-7/8	12	16
ASLEEVE6-2	---	ALVRP***-2	ALVRAL-7^		◦	◦	◦	◦			32-3/4	32-7/8	6	---
ASLEEVE8-2	---	ALVRP***-2	ALVRAL-7^		◦	◦	◦	◦			32-3/4	32-7/8	8	---
ASLEEVE10-2	ASLEEVEEXT4-2	ALVRP***-2	ALVRAL-7^		◦	◦	◦	◦			32-3/4	32-7/8	10	14
ASLEEVE12-2	ASLEEVEEXT4-2	ALVRP***-2	ALVRAL-7^		◦	◦	◦	◦			32-3/4	32-7/8	12	16
ASLEEVE6-5	---	ALVRP***-3	---	---	◦	◦	◦	◦	◦	•	45	45-1/8	6	---
ASLEEVE8-5	---	ALVRP***-3	---	---	◦	◦	◦	◦	◦	•	45	45-1/8	8	---
ASLEEVE10-5	ASLEEVEEXT4-3	ALVRP***-3	---	---	◦	◦	◦	◦	◦	•	45	45-1/8	10	14
ASLEEVE12-5	ASLEEVEEXT4-3	ALVRP***-3	---	---	◦	◦	◦	◦	◦	•	45	45-1/8	12	16
ASLEEVE6-5	---	---	ALVRAL-3^	ALVRALC-3^	◦	◦	◦	◦			45	45-1/8	6	---
ASLEEVE8-5	---	---	ALVRAL-3^	ALVRALC-3^	◦	◦	◦	◦			45	45-1/8	8	---
ASLEEVE10-5	ASLEEVEEXT4-3	---	ALVRAL-3^	ALVRALC-3^	◦	◦	◦	◦			45	45-1/8	10	14
ASLEEVE12-5	ASLEEVEEXT4-3	---	ALVRAL-3^	ALVRALC-3^	◦	◦	◦	◦			45	45-1/8	12	16
ASLEEVE6-5	---	---	ALVRAL-4^	ALVRALC-4^					◦	•	45	45-1/8	6	---
ASLEEVE8-5	---	---	ALVRAL-4^	ALVRALC-4^					◦	•	45	45-1/8	8	---
ASLEEVE10-5	ASLEEVEEXT4-3	---	ALVRAL-4^	ALVRALC-4^					◦	•	45	45-1/8	10	14
ASLEEVE12-5	ASLEEVEEXT4-3	---	ALVRAL-4^	ALVRALC-4^					◦	•	45	45-1/8	12	16

Note: Wall Sleeve and Louver size must be coordinated
 *** Louver colors: WHT = white, SAN = sandstone, BGE = beige, TPST = taupestone
 ^ -P: Option to paint standard, aluminum, and impact-resistant louvers
 • Wall sleeve and louver sizes equal to the required wall opening dimensions for the unit size
 ◦ Optional: Wall sleeves and louvers can be oversized to maintain a uniform appearance

Table 7. Accessories

Wiring Diagrams

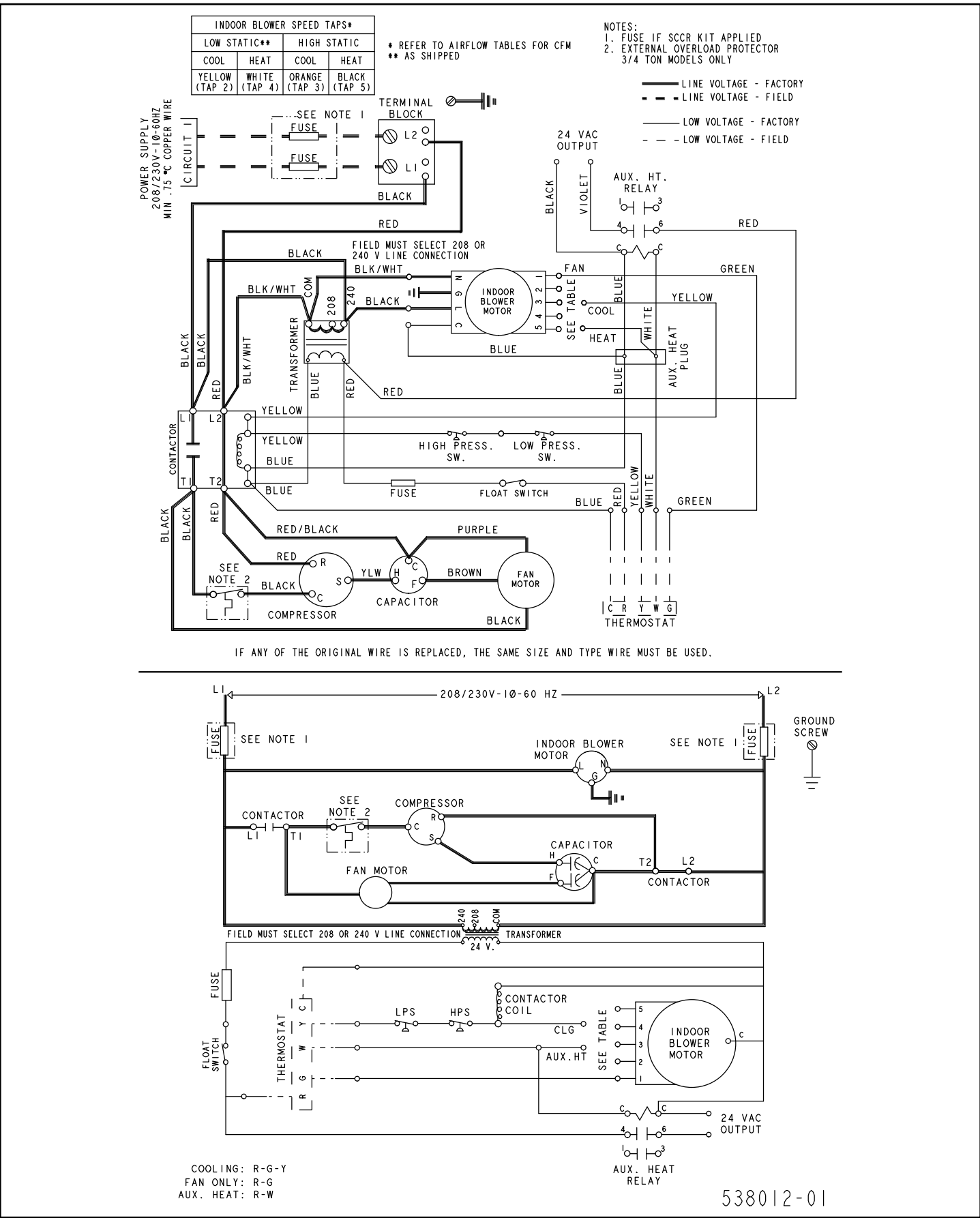


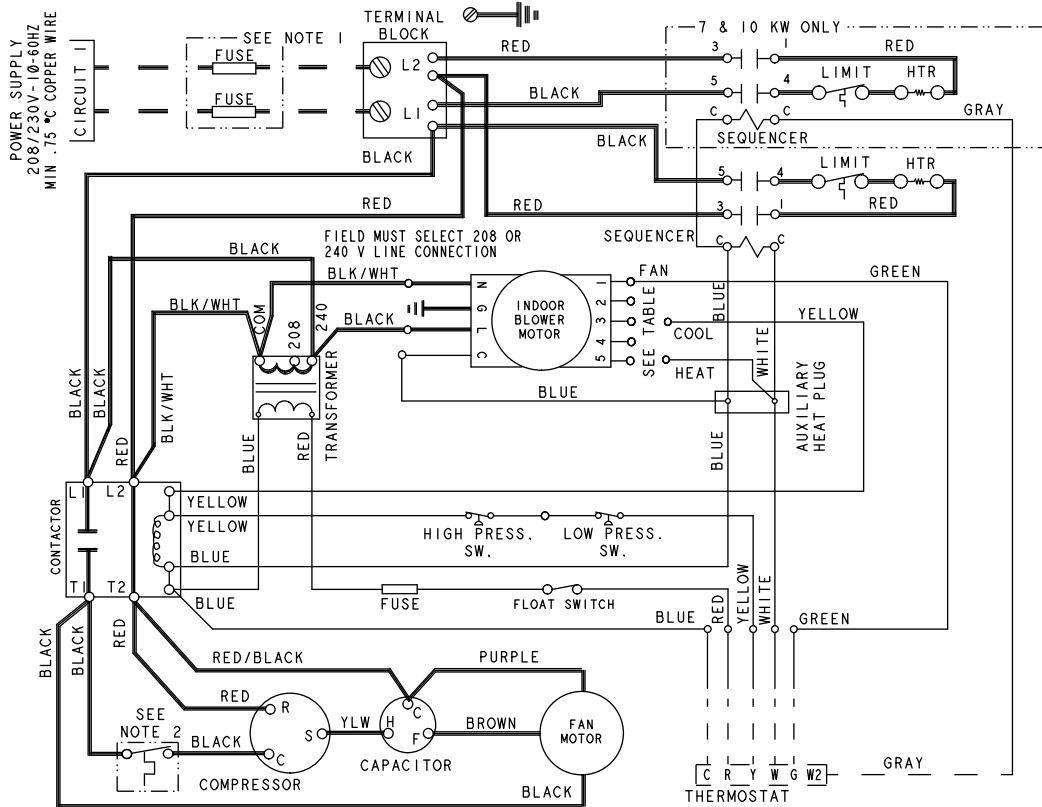
Figure 11. Wiring Diagram - MCE without Electric Heat (0.75 Ton through 2.5 Ton)

INDOOR BLOWER SPEED TAPS*			
LOW STATIC**		HIGH STATIC	
COOL	HEAT	COOL	HEAT
YELLOW (TAP 2)	WHITE (TAP 4)	ORANGE (TAP 3)	BLACK (TAP 5)

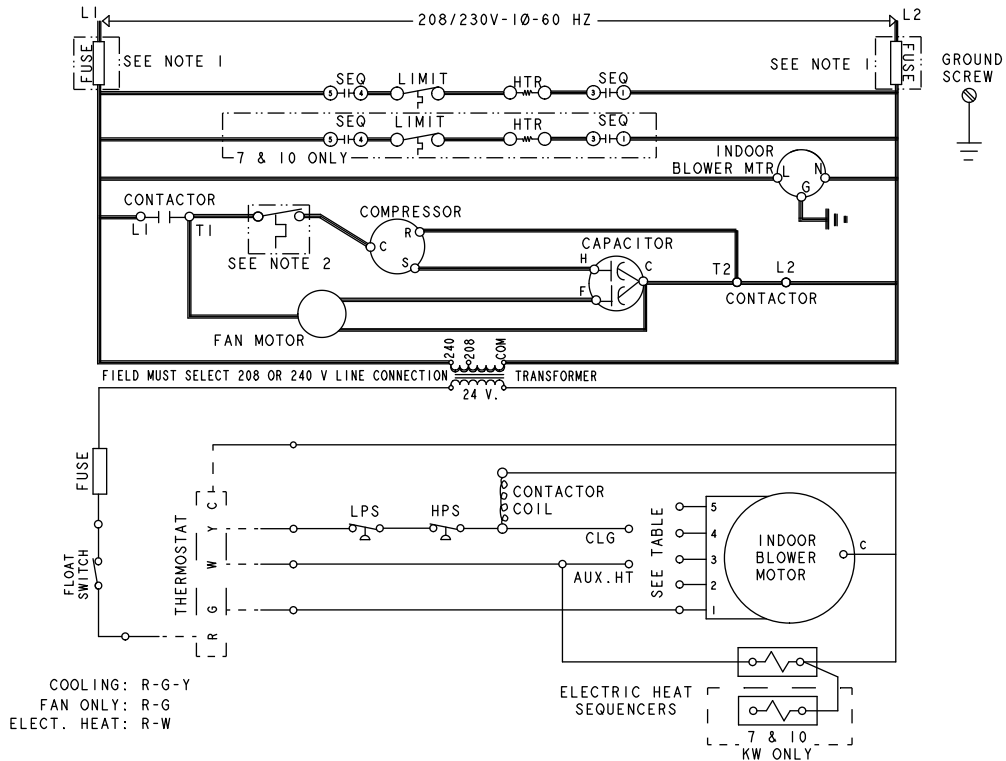
NOTES:
 1. FUSE IF SCCR KIT APPLIED
 2. EXTERNAL OVERLOAD PROTECTOR
 3/4 TON MODELS ONLY

* REFER TO AIRFLOW TABLES FOR CFM
 ** AS SHIPPED

— LINE VOLTAGE - FACTORY
 - - - LINE VOLTAGE - FIELD
 — LOW VOLTAGE - FACTORY
 - - - LOW VOLTAGE - FIELD



IF ANY OF THE ORIGINAL WIRE IS REPLACED, THE SAME SIZE AND TYPE WIRE MUST BE USED.



COOLING: R-G-Y
 FAN ONLY: R-G
 ELECT. HEAT: R-W

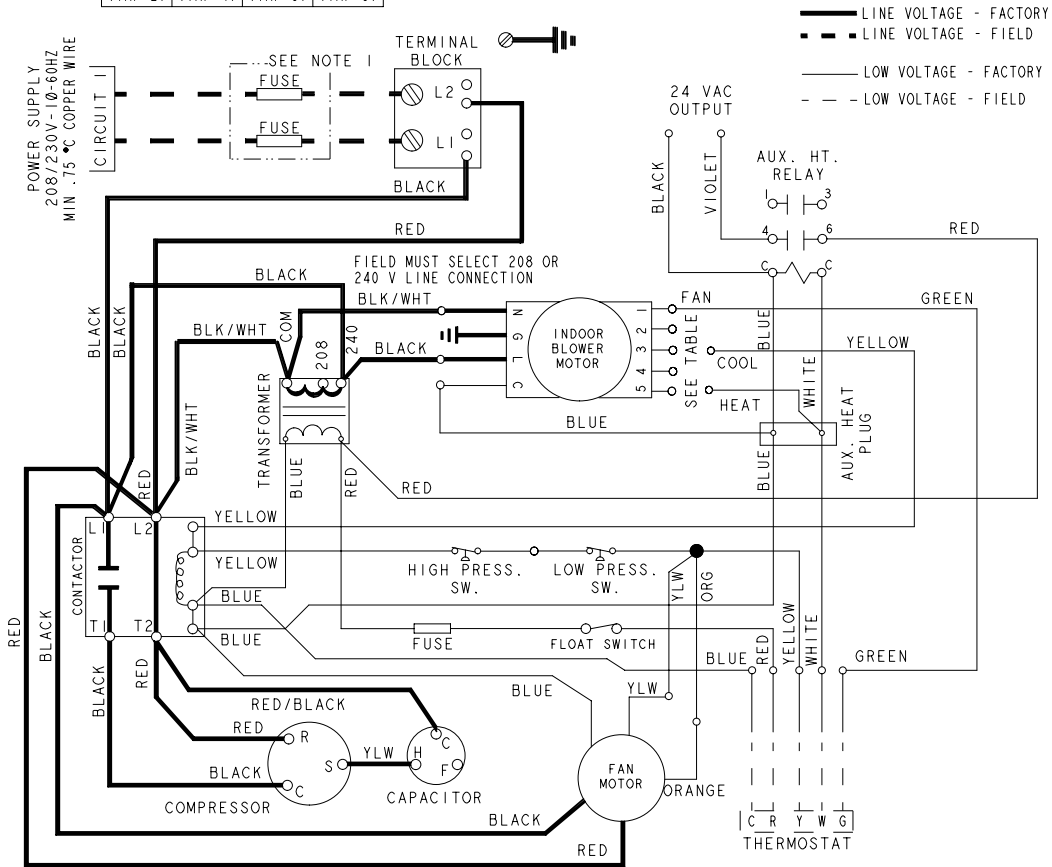
538013-01

Figure 12. Wiring Diagram - MCE with Factory-Installed Electric Heat (0.75 Ton through 2.5 Ton)

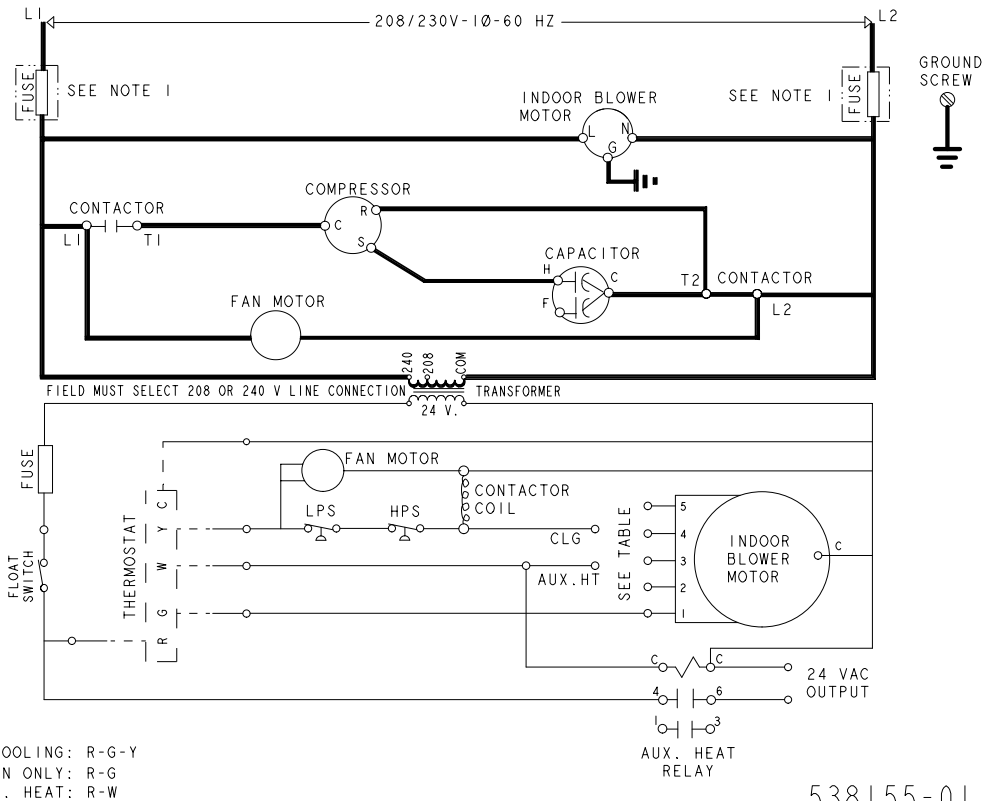
INDOOR BLOWER SPEED TAPS*			
LOW STATIC**		HIGH STATIC	
COOL	HEAT	COOL	HEAT
YELLOW (TAP 2)	WHITE (TAP 4)	ORANGE (TAP 3)	BLACK (TAP 5)

* REFER TO AIRFLOW TABLES FOR CFM
 ** AS SHIPPED

NOTES:
 1. FUSE IF SCCR KIT APPLIED



IF ANY OF THE ORIGINAL WIRE IS REPLACED, THE SAME SIZE AND TYPE WIRE MUST BE USED.



538155-01

Figure 13. Wiring Diagram - MCE without Electric Heat (3 Ton)

