



Air Conditioning & Heating

GPH14M

COOLING CAPACITY: 24,000 - 58,000 BTU/H
HEATING CAPACITY: 23,000 - 57,000 BTU/H

PACKAGED HEAT PUMP
2 TO 5 TONS
14 SEER / 8.0 HSPF

Contents

Nomenclature.....	2
Product Specifications.....	3
Expanded Cooling Data.....	4
Expanded Heating Data.....	16
Airflow Data.....	18
Heat Kit Electrical Specs.....	20
Dimensions.....	21
Wiring Diagrams.....	22
Accessories.....	24



Standard Features

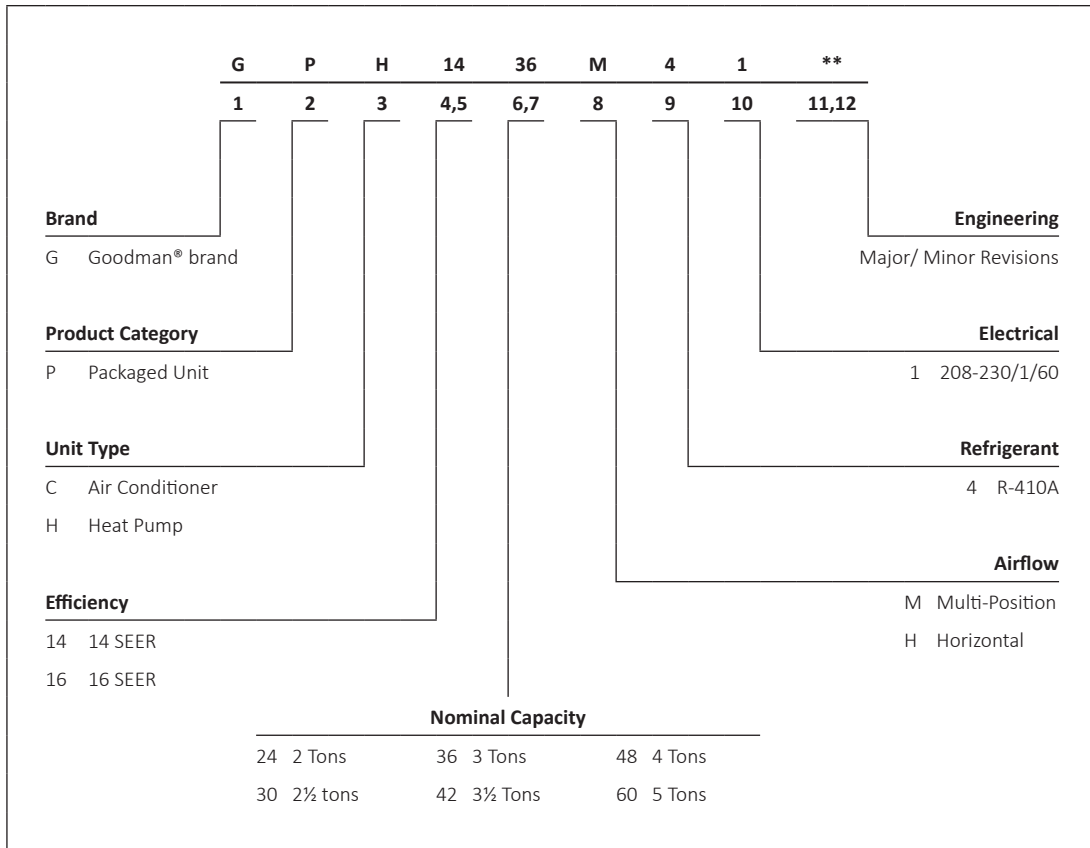
- Energy-efficient scroll compressor
- Multi-speed ECM indoor blower motor
- Convertible airflow: horizontal or downflow
- Copper tube/aluminum fin condenser coil
- All-Aluminum evaporator coil
- Liquid-line filter drier
- 5 kW to 20 kW electric heat kit available as a field-installed option
- AHRI Certified; ETL Listed

Cabinet Features

- Heavy-gauge galvanized-steel cabinet with attractive Architectural Gray powder-paint finish
- Aluminum foil-facing internal insulation reinforced with fiberglass scrim
- Fully insulated air-handling compartment with convenient access panels
- Louvered condenser coil protection
- Meets cabinet air leakage requirements when tested in accordance with ASHRAE standard 193
- One footprint for all tonnages



* Complete warranty details available from your local dealer or at www.goodmanmfg.com. To receive the 10-Year Parts Limited Warranty, online registration must be completed within 60 days of installation. Online registration not required in California or Québec.



	GPH14 24M41A*	GPH14 30M41A*	GPH14 36M41A*	GPH14 42M41A*	GPH14 48M41A*	GPH14 60M41A*
COOLING CAPACITY						
Total BTU/h	24,000	28,600	34,400	41,000	48,000	58,000
Sensible BTU/h	18,700	21,800	26,200	29,600	36,400	42,500
SEER / EER	14/11	14/11	14/11	14/11	14/11	14/11
Decibels	76	76	81	80	79	80
AHRI #s	7470164	7470160	7470161	7470165	7470166	7470162
HEATING CAPACITY						
BTU/h (47°F)	23,000	28,000	33,200	40,500	45,500	57,000
C.O.P (47°F)	3.6	3.6	3.6	3.6	3.6	3.5
BTU/h (17°F)	12,600	15,000	19,000	22,600	26,600	31,400
C.O.P (17°F)	2.2	2.2	2.2	2.2	2.2	2.2
HSPF	8.0	8.0	8.0	8.0	8.0	8.0
EVAPORATOR MOTOR						
Type	ECM	ECM	ECM	ECM	ECM	ECM
Wheel (D x W)	10 x 9	10 x 9	10 x 9	10 x 9	10 x 9	10 x 9
Nominal Cooling CFM	850	1,050	1,200	1,300	1,600	1,850
FLA / LRA	4.3 /--	4.3 /--	4.3 /--	5.8 /--	5.8 /--	7.6 /--
No. of Speeds	5	5	5	5	5	5
Horsepower- RPM	½- 1,050	½- 1,050	½- 1,050	¾- 1,050	¾- 1,050	1- 1,050
EVAPORATOR COIL						
Face Area (ft²)	4.55	4.55	4.55	4.55	6.20	6.20
Rows Deep/ Fin per Inch	4 / 14	4 / 14	4 / 14	4 / 14	4 / 14	4 / 14
Drain Size (NPT)	¾"	¾"	¾"	¾"	¾"	¾"
R-410A Refrigerant Charge (oz.)	128	128	115	133	153	180
CONDENSER FAN / COIL						
Horsepower- RPM	¼- 830	¼- 830	¼- 830	¼- 1,075	¼- 1,075	¼- 1,075
FLA/LRA	1.5 / 3.0	1.5 / 3.0	1.4 / 3.0	1.4 / 2.9	1.4 / 2.9	2.5 / 3.0
Fan Diameter / # Fan Blades	22 / 3	22 / 3	22 / 4	22 / 3	22 / 3	22 / 3
Face Area (ft²)	12.21	12.21	12.21	12.21	15.30	21.32
Rows Deep/ Fin per Inch	2 / 16	2 / 16	2 / 16	2 / 16	2 / 16	2 / 16
COMPRESSOR						
Quantity	1	1	1	1	1	1
Type	Scroll	Scroll	Scroll	Scroll	Scroll	Scroll
Stage	Single	Single	Single	Single	Single	2 Stage
ELECTRICAL DATA						
Voltage/ Phase (60 Hz)	208-230/1	208-230/1	208-230/1	208-230/1	208-230/1	208-230/1
Compressor RLA/ LRA	12.8 / 58.3	14.1 / 73	16.7 / 79	17.9 / 112	21.8 / 117	27.1 / 152.9
Total Unit Amps	18.6	19.9	22.4	25.1	29	37.2
Min. Circuit Ampacity ¹	21.8	23.4	26.6	29.6	34.5	44.0
Max. Overcurrent Protection ²	30 amps	35 amps	40 amps	45 amps	50 amps	70 amps
SHIPPING WEIGHT (LBS)						
	380	390	400	410	485	495

¹ Wire size should be determined in accordance with National Electrical Codes. Extensive wire runs will require larger wire sizes.

² May use fuses or HACR-type circuit breakers of the same size as noted.

Note: Always check the S&R plate for electrical data on the unit being installed.

GPH1424M41A*

	OUTDOOR AMBIENT TEMPERATURE																	
	65	60	55	50	47	45	40	35	30	25	20	17	15	10	5	0	-5	-10
MBh	28.9	27.4	25.8	24.1	23.0	22.3	20.7	19.1	15.7	14.5	13.3	12.6	12.1	10.9	9.7	8.4	7.2	5.9
T/R	31.5	29.8	28.1	26.2	25.1	24.3	22.5	20.8	17.1	15.8	14.5	13.7	13.2	11.9	10.5	9.2	7.8	6.4
kW	1.90	1.87	1.83	1.79	1.77	1.75	1.72	1.68	1.70	1.66	1.62	1.60	1.58	1.55	1.51	1.47	1.43	1.39
Amps	10.1	9.4	8.9	8.5	8.2	8.1	7.7	7.4	7.1	6.9	6.6	6.5	6.4	6.1	5.8	5.6	5.2	4.8
COP	4.45	4.29	4.12	3.93	3.80	3.72	3.53	3.32	2.70	2.55	2.41	2.30	2.24	2.06	1.87	1.68	1.47	1.24
HI PR	377	361	347	332	324	318	306	293	281	269	258	252	247	238	229	219	211	204
LO PR	139	129	121	111	105	101	92	82	74	66	58	54	52	44	38	32	28	22

GPH1430M41A*

	OUTDOOR AMBIENT TEMPERATURE																	
	65	60	55	50	47	45	40	35	30	25	20	17	15	10	5	0	-5	-10
MBh	35.2	33.3	31.4	29.3	28.0	27.1	25.2	23.2	18.7	17.3	15.9	15.0	14.4	13.0	11.5	10.0	8.6	7.0
T/R	31.0	29.4	27.7	25.9	24.7	23.9	22.2	20.5	16.5	15.2	14.0	13.2	12.7	11.4	10.1	8.8	7.5	6.2
kW	2.36	2.31	2.26	2.21	2.19	2.17	2.12	2.07	2.05	2.00	1.95	1.93	1.91	1.86	1.81	1.77	1.72	1.67
Amps	5.6	5.4	5.1	4.9	4.8	4.8	4.6	4.5	4.3	4.2	4.1	4.1	4.0	3.9	3.8	3.7	3.5	3.4
COP	4.37	4.22	4.06	3.87	3.75	3.66	3.48	3.28	2.67	2.52	2.38	2.28	2.22	2.04	1.86	1.66	1.46	1.23
HI PR	385	370	355	340	332	325	313	300	288	275	264	257	253	243	234	224	216	209
LO PR	138	128	120	110	104	100	92	82	74	66	58	54	52	44	38	32	28	22

GPH1436M41A*

	OUTDOOR AMBIENT TEMPERATURE																	
	65	60	55	50	47	45	40	35	30	25	20	17	15	10	5	0	-5	-10
MBh	41.7	39.5	37.2	34.8	33.2	32.2	29.9	27.6	23.7	21.9	20.1	19.0	18.3	16.4	14.6	12.7	10.8	8.9
T/R	32.2	30.5	28.7	26.8	25.6	24.8	23.1	21.3	18.3	16.9	15.5	14.7	14.1	12.7	11.2	9.8	8.4	6.8
kW	2.76	2.71	2.66	2.60	2.57	2.55	2.49	2.44	2.53	2.47	2.41	2.38	2.36	2.30	2.24	2.18	2.13	2.07
Amps	7.0	6.6	6.4	6.1	6.0	5.9	5.7	5.5	5.4	5.2	5.1	5.0	5.0	4.9	4.7	4.5	4.4	4.2
COP	4.42	4.27	4.10	3.91	3.78	3.70	3.51	3.30	2.74	2.59	2.44	2.34	2.27	2.09	1.90	1.70	1.49	1.26
HI PR	391	375	361	345	337	330	318	305	292	279	268	261	257	247	237	228	220	212
LO PR	134	125	117	107	101	97	90	80	72	64	57	53	51	43	37	31	27	21

Notes

Above information is for nominal CFM and 70-degree indoor dry bulb. Instantaneous capacity listed.

High pressure is measured at the liquid line access fitting.

Low pressure is measured at the compressor suction access fitting.

Amps: Unit amps (comp.+ evaporator motor + condenser fan motor)

kW = Total system power

GPH1442M41A*

	OUTDOOR AMBIENT TEMPERATURE																	
	65	60	55	50	47	45	40	35	30	25	20	17	15	10	5	0	-5	-10
MBh	50.9	48.2	45.4	42.4	40.5	39.2	36.5	33.6	28.0	25.9	23.8	22.5	21.7	19.4	17.2	15.0	12.8	10.5
T/R	36.3	34.3	32.3	30.2	28.8	28.0	26.0	23.9	20.0	18.4	17.0	16.0	15.4	13.8	12.3	10.7	9.1	7.5
kW	3.49	3.42	3.35	3.28	3.24	3.21	3.15	3.08	3.00	2.93	2.86	2.82	2.79	2.72	2.65	2.58	2.51	2.45
Amps	18.9	17.7	16.7	15.8	15.3	15.0	14.3	13.7	13.2	12.7	12.2	11.9	11.8	11.3	10.6	10.1	9.5	8.8
COP	4.26	4.12	3.96	3.78	3.65	3.57	3.39	3.20	2.74	2.59	2.44	2.34	2.27	2.09	1.90	1.70	1.49	1.26
HI PR	406	389	374	358	349	343	329	316	303	289	278	271	266	256	246	236	228	220
LO PR	134	124	117	107	101	97	89	80	72	64	56	52	51	43	37	31	27	21

GPH1448M41A*

	OUTDOOR AMBIENT TEMPERATURE																	
	65	60	55	50	47	45	40	35	30	25	20	17	15	10	5	0	-5	-10
MBh	57.3	54.3	51.1	47.7	45.6	44.2	41.0	37.8	33.0	30.5	28.1	26.5	25.5	22.9	20.3	17.7	15.1	12.4
T/R	33.2	31.4	29.6	27.6	26.4	25.6	23.8	21.9	19.1	17.6	16.2	15.3	14.8	13.3	11.7	10.2	8.7	7.2
kW	3.87	3.79	3.71	3.64	3.59	3.56	3.49	3.41	3.41	3.33	3.25	3.21	3.18	3.10	3.02	2.94	2.86	2.79
Amps	19.0	17.7	16.7	15.8	15.3	15.0	14.2	13.6	13.1	12.5	12.0	11.8	11.6	11.1	10.5	10.0	9.3	8.5
COP	4.34	4.19	4.02	3.84	3.71	3.63	3.44	3.25	2.84	2.68	2.53	2.42	2.35	2.16	1.97	1.76	1.54	1.30
HI PR	387	371	356	341	333	326	314	301	289	276	265	258	254	244	235	225	217	209
LO PR	129	120	112	103	97	93	86	77	69	62	54	50	49	41	35	30	26	21

GPH1460M41A*

	OUTDOOR AMBIENT TEMPERATURE																	
	65	60	55	50	47	45	40	35	30	25	20	17	15	10	5	0	-5	-10
MBh	71.6	67.8	63.8	59.7	57.0	55.2	51.3	47.3	39.1	36.1	33.3	31.4	30.2	27.1	24.1	21.0	17.9	14.7
T/R	35.9	33.9	32.0	29.9	28.5	27.6	25.7	23.7	19.6	18.1	16.6	15.7	15.1	13.6	12.0	10.5	9.0	7.3
kW	5.06	4.96	4.85	4.75	4.69	4.65	4.55	4.44	4.10	4.00	3.91	3.85	3.81	3.72	3.62	3.53	3.43	3.34
Amps	30.1	27.1	24.6	22.5	21.2	20.6	18.8	17.3	16.0	14.8	13.6	13.0	12.7	11.4	9.9	8.7	7.2	5.3
COP	4.15	4.01	3.85	3.68	3.56	3.48	3.30	3.12	2.79	2.64	2.49	2.39	2.32	2.14	1.94	1.74	1.53	1.29
HI PR	426	409	393	376	367	360	346	332	318	304	292	285	280	269	259	248	239	231
LO PR	126	117	110	101	95	92	84	75	68	61	53	49	48	40	35	29	26	20

Notes

Above information is for nominal CFM and 70-degree indoor dry bulb. Instantaneous capacity listed.

High pressure is measured at the liquid line access fitting.

Amps: Unit amps (comp.+ evaporator motor + condenser fan motor)

Low pressure is measured at the compressor suction access fitting.

kW = Total system power

GPH1424M41*

MODEL	MOTOR SPEED	VOLTS	E.S.P (IN. OF H ₂ O)									
				0.1	0.2	0.3	0.4	0.5	0.6	0.7	0.8	0.9
HORIZONTAL POSITION	T1	230	CFM Watts	782 71	709 78	652 86	561 100	---	---	---	---	---
	T2/T3	230	CFM Watts	941 105	872 112	777 113	746 128	614 138	---	---	---	---
	T4/T5	230	CFM Watts	1347 239	1315 256	1256 265	1194 271	1152 282	1096 286	1051 293	972 297	891 305
DOWNSHOT POSITION	T1	230	CFM Watts	790 82	710 86	634 96	566 103	506 108	---	---	---	---
	T2/T3	230	CFM Watts	919 108	855 117	782 121	695 132	631 143	578 144	523 149	---	---
	T4/T5	230	CFM Watts	1312 260	1275 269	1216 274	1153 285	1096 295	1028 300	943 304	869 310	816 316

GPH1430M41*

MODEL	MOTOR SPEED	VOLTS	E.S.P (IN. OF H ₂ O)									
				0.1	0.2	0.3	0.4	0.5	0.6	0.7	0.8	
HORIZONTAL POSITION	T1	230	CFM Watts	851 79	803 88	712 91	635 100	575 114	506 116	460 120	---	---
	T2/T3	230	CFM Watts	1146 157	1098 170	1044 176	991 186	934 194	817 201	764 210	698 215	653 215
	T4/T5	230	CFM Watts	1440 290	1418 306	1364 312	1307 321	1265 326	1219 332	1168 348	1094 353	1049 360
DOWNSHOT POSITION	T1	230	CFM Watts	848 84	761 94	646 98	578 111	511 113	---	---	---	---
	T2/T3	230	CFM Watts	1103 162	1038 168	978 179	922 188	806 199	731 205	676 208	622 214	564 219
	T4/T5	230	CFM Watts	1401 311	1357 326	1305 318	1244 334	1179 341	1118 349	1046 353	934 352	884 357

GPH1436M41*

MODEL	MOTOR SPEED	VOLTS	E.S.P (IN. OF H ₂ O)									
				0.1	0.2	0.3	0.4	0.5	0.6	0.7	0.8	
HORIZONTAL POSITION	T1	230	CFM Watts	846 74	762 83	716 94	585 98	519 108	---	---	---	---
	T2/T3	230	CFM Watts	1278 221	1214 218	1182 232	1129 245	1072 253	1013 264	950 265	853 275	788 272
	T4/T5	230	CFM Watts	1604 396	1560 402	1507 408	1468 424	1415 426	1364 423	1321 444	1276 454	1218 454
DOWNSHOT POSITION	T1	230	CFM Watts	809 73	730 85	623 92	542 98	485 107	441 112	---	---	---
	T2/T3	230	CFM Watts	1284 220	1223 227	1175 241	1097 247	1031 255	974 262	871 272	804 277	761 285
	T4/T5	230	CFM Watts	1578 401	1539 409	1498 421	1452 425	1396 438	1332 439	1279 452	1224 453	1161 455

GPH1442M41*

MODEL	MOTOR SPEED	VOLTS	E.S.P (IN. OF H ₂ O)									
				0.1	0.2	0.3	0.4	0.5	0.6	0.7	0.8	0.9
HORIZONTAL POSITION	T1	230	CFM	1030	955	908	826	761	678	633	563	504
			Watts	130	126	139	143	154	168	171	181	185
	T2/T3	230	CFM	1419	1387	1327	1274	1219	1171	1111	1041	986
			Watts	273	281	287	298	309	315	318	326	336
	T4/T5	230	CFM	1750	1710	1673	1611	1556	1499	1443	1399	1353
			Watts	470	475	488	493	502	502	501	514	520
DOWNSHOT POSITION	T1	230	CFM	1001	936	852	810	700	643	579	526	491
			Watts	125	133	136	154	160	166	172	177	185
	T2/T3	230	CFM	1411	1361	1299	1240	1173	1112	1048	955	887
			Watts	281	294	301	309	312	320	327	335	339
	T4/T5	230	CFM	1734	1678	1613	1558	1509	1449	1383	1341	1279
			Watts	475	485	496	504	509	505	519	514	520

GPH1448M41*

MODEL	MOTOR SPEED	VOLTS	E.S.P (IN. OF H ₂ O)									
				0.1	0.2	0.3	0.4	0.5	0.6	0.7	0.8	0.9
HORIZONTAL POSITION	T1	230	CFM	1167	1101	1045	992	939	870	802	732	681
			Watts	139	144	156	165	177	193	203	217	223
	T2/T3	230	CFM	1723	1637	1598	1554	1509	1467	1420	1361	1295
			Watts	372	370	381	390	404	411	420	427	441
	T4/T5	230	CFM	2012	1965	1912	1871	1809	1770	1741	1691	1635
			Watts	578	593	599	606	610	627	626	634	638
DOWNSHOT POSITION	T1	230	CFM	1155	1074	1023	969	896	805	755	667	626
			Watts	153	156	169	180	195	205	216	226	230
	T2/T3	230	CFM	1670	1596	1558	1484	1467	1383	1339	1259	1168
			Watts	383	392	399	408	419	434	436	447	449
	T4/T5	230	CFM	1949	1881	1853	1792	1753	1699	1621	1561	1522
			Watts	603	607	608	616	622	626	648	650	645

GPH1460M41*

MODEL	MOTOR SPEED	VOLTS	E.S.P (IN. OF H ₂ O)									
				0.1	0.2	0.3	0.4	0.5	0.6	0.7	0.8	0.9
HORIZONTAL POSITION	T1	230	CFM	1427	1370	1317	1273	1204	1165	1111	1058	1003
			Watts	222	229	237	256	256	276	291	299	320
	T2/T3	230	CFM	1935	1885	1848	1809	1755	1705	1659	1616	1567
			Watts	498	512	515	520	541	549	559	567	569
	T4/T5	230	CFM	2232	2188	2144	2087	2035	2017	1963	1926	1869
			Watts	805	795	790	827	830	842	864	864	848
DOWNSHOT POSITION	T1	230	CFM	1347	1293	1236	1184	1117	1054	996	934	871
			Watts	242	251	268	276	290	305	321	330	348
	T2/T3	230	CFM	1827	1780	1739	1683	1633	1588	1518	1462	1404
			Watts	529	538	548	557	557	576	578	604	601
	T4/T5	230	CFM	2111	2057	2030	1979	1947	1957	1922	1868	1818
			Watts	835	843	846	852	870	959	956	960	966

HEAT KIT ELECTRICAL DATA (BLOWER ONLY, HEAT MODE)

MODEL AND HEAT KIT USAGE	CIRCUIT #1		CIRCUIT #2		SINGLE-POINT KIT		ACTUAL kW / BTU@ 240V
	MCA ¹	MOD ²	MCA ¹	MOD ²	MCA ¹	MOP ²	
GPH1424M41**	4.3	---	---	---	--	--	---
HKP-05C*	21 / 25	25 / 25	---	---	47	50	4.75 / 16,200
HKR-08C*	32 / 36	35 / 40	---	---	58	60	7.0 / 23,800
HKP-10C*	43 / 49	45 / 50	---	---	71	80	9.5 / 32,400
GPH1430M41**	4.3	---	---	---	--	--	---
HKP-05C*	21 / 25	25 / 25	---	---	48	50	4.75 / 16,200
HKR-08C*	32 / 36	35 / 40	---	---	60	60	7.0 / 23,800
HKP-10C*	43 / 49	45 / 50	---	---	73	80	9.5 / 32,400
HKP-15C*	43 / 49	45 / 50	21 / 25	25 / 25	98	110	14.25 / 48,600
GPH1436M41**	4.3	---	---	---	--	--	---
HKP-05C*	21 / 25	25 / 25	---	---	51	60	4.75 / 16,200
HKR-08C*	32 / 36	35 / 40	---	---	63	70	7.0 / 23,800
HKP-10C*	43 / 49	45 / 50	---	---	76	80	9.5 / 32,400
HKP-15C*	43 / 49	45 / 50	21 / 25	25 / 25	101	110	14.25 / 48,600
GPH1442M41**	5.8	---	---	---	--	--	---
HKP-05C*	21 / 25	25 / 25	---	---	54	60	4.75 / 16,200
HKR-08C*	32 / 36	35 / 40	---	---	66	70	7.0 / 23,800
HKP-10C*	43 / 49	45 / 50	---	---	79	80	9.5 / 32,400
HKP-15C*	43 / 49	45 / 50	21 / 25	25 / 25	104	110	14.25 / 48,600
GPH1448M41**	5.8	---	---	---	--	--	---
HKP-05C*	21 / 25	25 / 25	---	---	59	70	4.75 / 16,200
HKR-08C*	32 / 36	35 / 40	---	---	71	80	7.0 / 23,800
HKP-10C*	43 / 49	45 / 50	---	---	84	90	9.5 / 32,400
HKP-15C*	43 / 49	45 / 50	21 / 25	25 / 25	109	110	14.25 / 48,600
HKP-20C	43 / 49	45 / 50	43 / 49	45 / 50	133	150	19.0 / 64,800
GPH1460M41**	7.6	---	---	---	--	--	---
HKP-05C*	21 / 25	25 / 25	---	---	69	90	4.75 / 16,200
HKR-08C*	32 / 36	35 / 40	---	---	80	100	7.0 / 23,800
HKP-10C*	43 / 49	45 / 50	---	---	94	110	9.5 / 32,400
HKP-15C*	43 / 49	45 / 50	21 / 25	25 / 25	118	125	14.25 / 48,600
HKP-20C	43 / 49	45 / 50	43 / 49	45 / 50	142	150	19.0 / 64,800

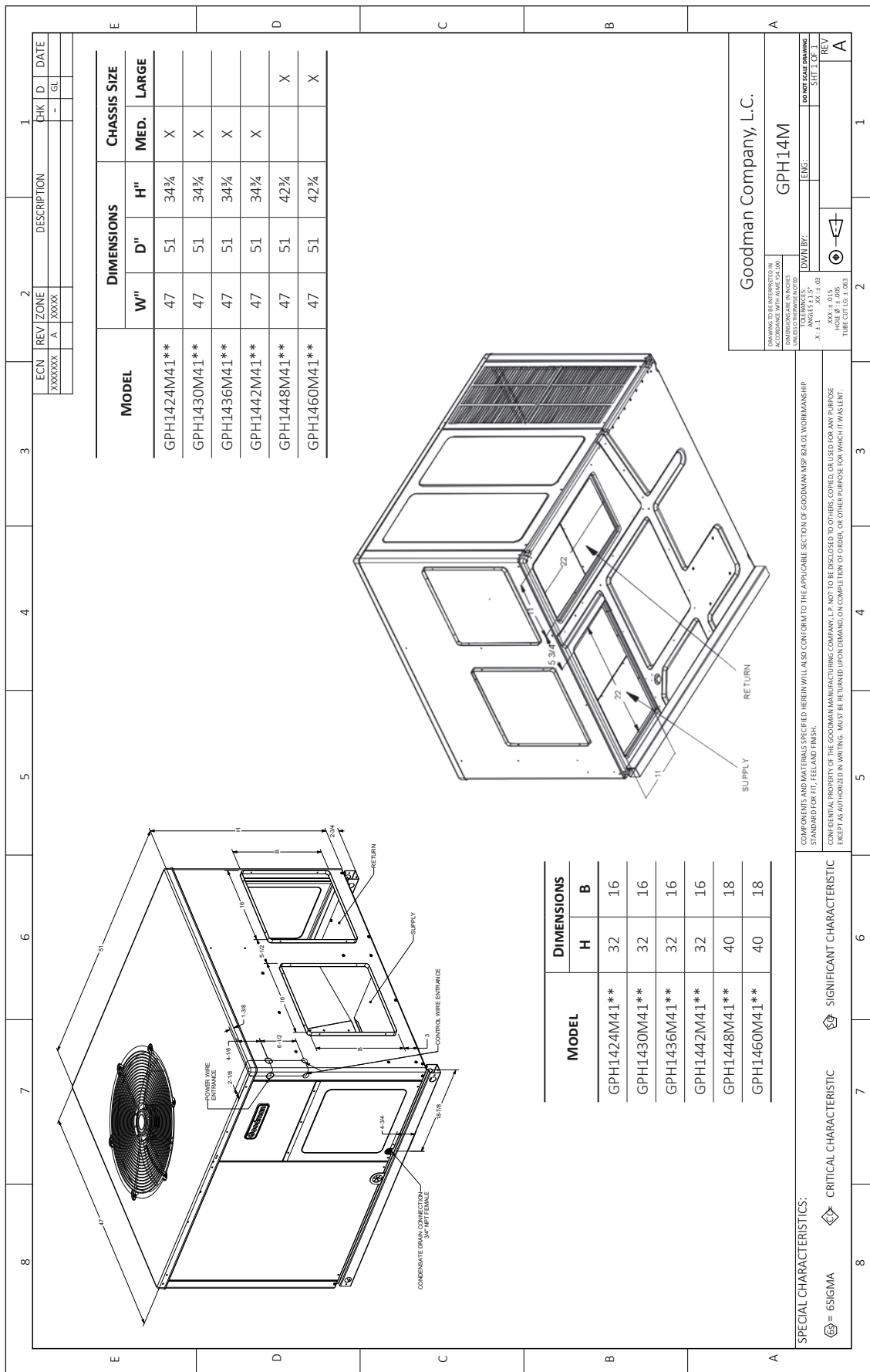
¹ Minimum Circuit Ampacity @ 208 / 240 V

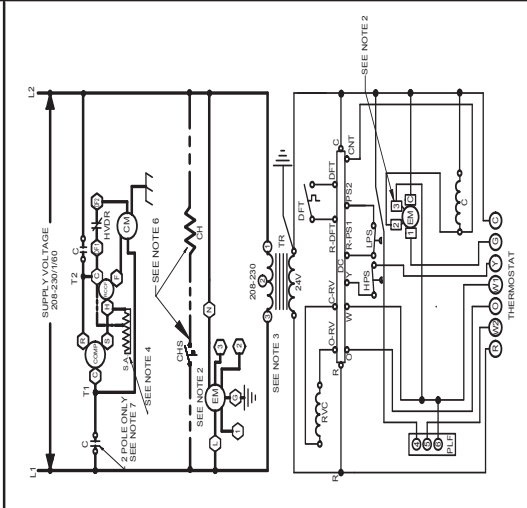
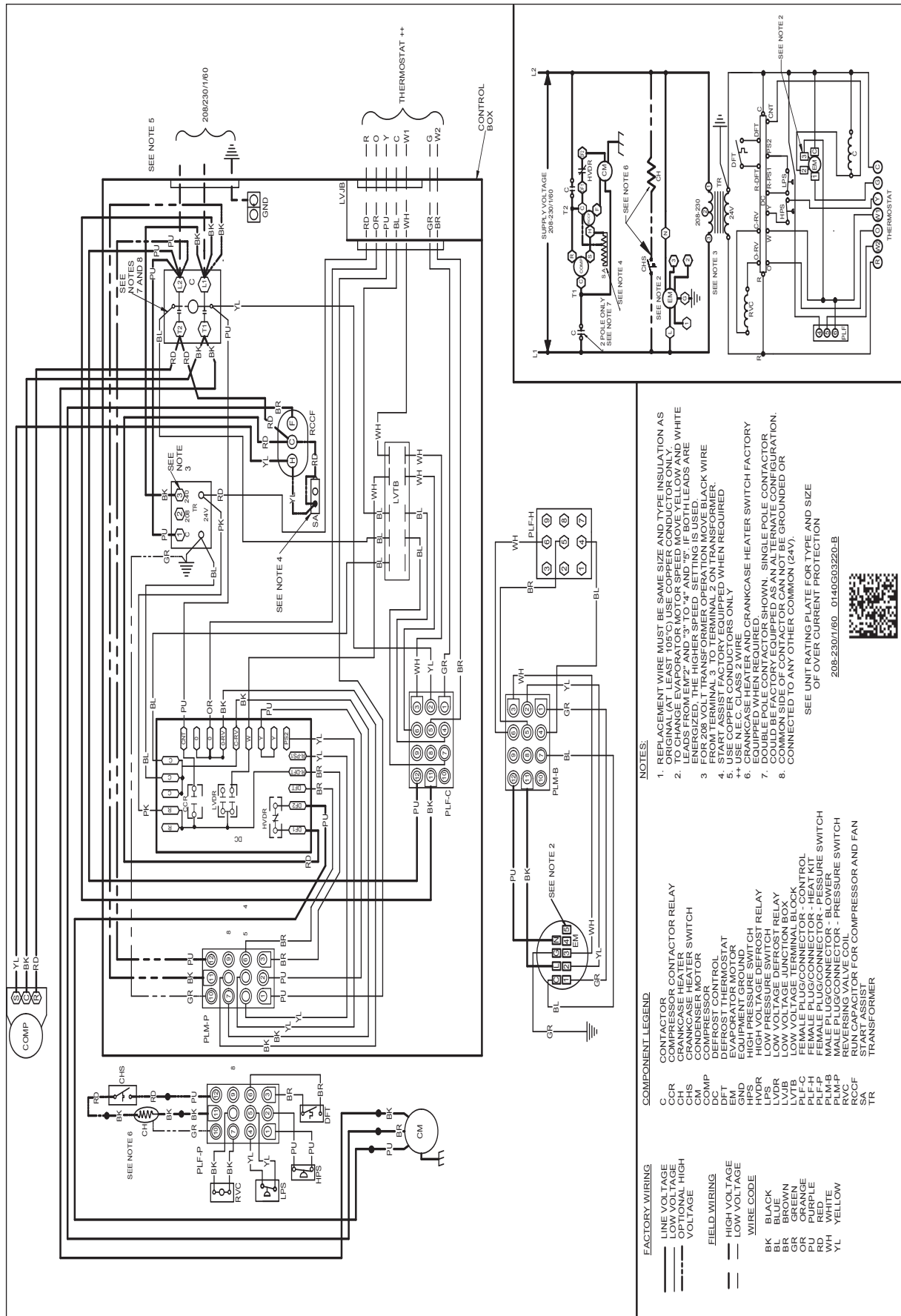
² Maximum Overcurrent Protection Device @ 208 / 240 V

* Revision level that may or may not be designated

C Circuit breaker option

NOTE: HKP-15C* and HKP-20C* replace HKR-15C and HKR-20C respectively to meet new UL1995 requirements.





- NOTES:**
1. REPLACEMENT WIRE MUST BE SAME SIZE AND TYPE INSULATION AS ORIGINAL WIRE.
 2. TO CHANGE EVAPORATOR MOTOR SPEED MOVE YELLOW AND WHITE LEADS FROM EM2, AND 3" TO 4" AND 5". IF BOTH LEADS ARE ENERGIZED, THE HIGHER SPEED SETTING IS USED.
 3. CRANKCASE HEATER RELAY IS EQUIPPED AS AN ALTERNATE CONFIGURATION FROM TERMINAL 3 TO TERMINAL 2 ON TRANSFORMER.
 4. START ASSIST FACTORY EQUIPPED WHEN REQUIRED.
 5. USE OF PFC CONDENSERS ONLY.
 6. CRANKCASE HEATER AND CRANKCASE HEATER SWITCH FACTORY EQUIPPED WHEN REQUIRED.
 7. SINGLE POLE CONTACTOR COMMON SIDE OF CONTACTOR CAN NOT BE GROUNDED OR CONNECTED TO ANY OTHER COMMON (24V).
 8. SEE UNIT RATING PLATE FOR TYPE AND SIZE OF OVER CURRENT PROTECTION.

- COMPONENT LEGEND:**
- C CONTACTOR
 - CCR COMPRESSOR CONTACTOR RELAY
 - CHS CRANKCASE HEATER SWITCH
 - CM CRANKCASE HEATER SWITCH
 - COMP COMPRESSOR MOTOR
 - CONTR CONTROL
 - DFT DEFROST THERMOSTAT
 - EM EVAPORATOR MOTOR
 - HPS HIGH PRESSURE SWITCH
 - HVR HIGH VOLTAGE DEFROST RELAY
 - LPS LOW PRESSURE SWITCH
 - PLM-B LOW VOLTAGE DEFROST RELAY
 - PLM-P LOW VOLTAGE DEFROST RELAY
 - PLF-B LOW VOLTAGE JUNCTION BOX
 - PLF-P LOW VOLTAGE JUNCTION BOX
 - PS PRESSURE SWITCH
 - PSR PRESSURE SWITCH RELAY
 - SA MALE PLUG/CONNECTOR - CONTROL
 - RC FEMALE PLUG/CONNECTOR - PRESSURE SWITCH
 - SA MALE PLUG/CONNECTOR - BLOWER
 - RC FEMALE PLUG/CONNECTOR - PRESSURE SWITCH
 - SA RUN CAPACITOR FOR COMPRESSOR AND FAN
 - TR TRANSFORMER

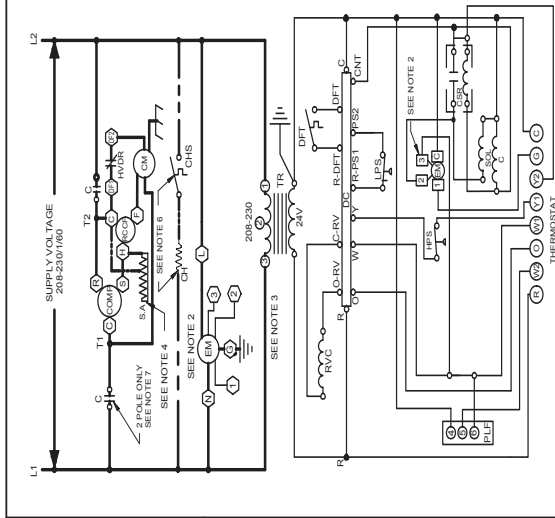
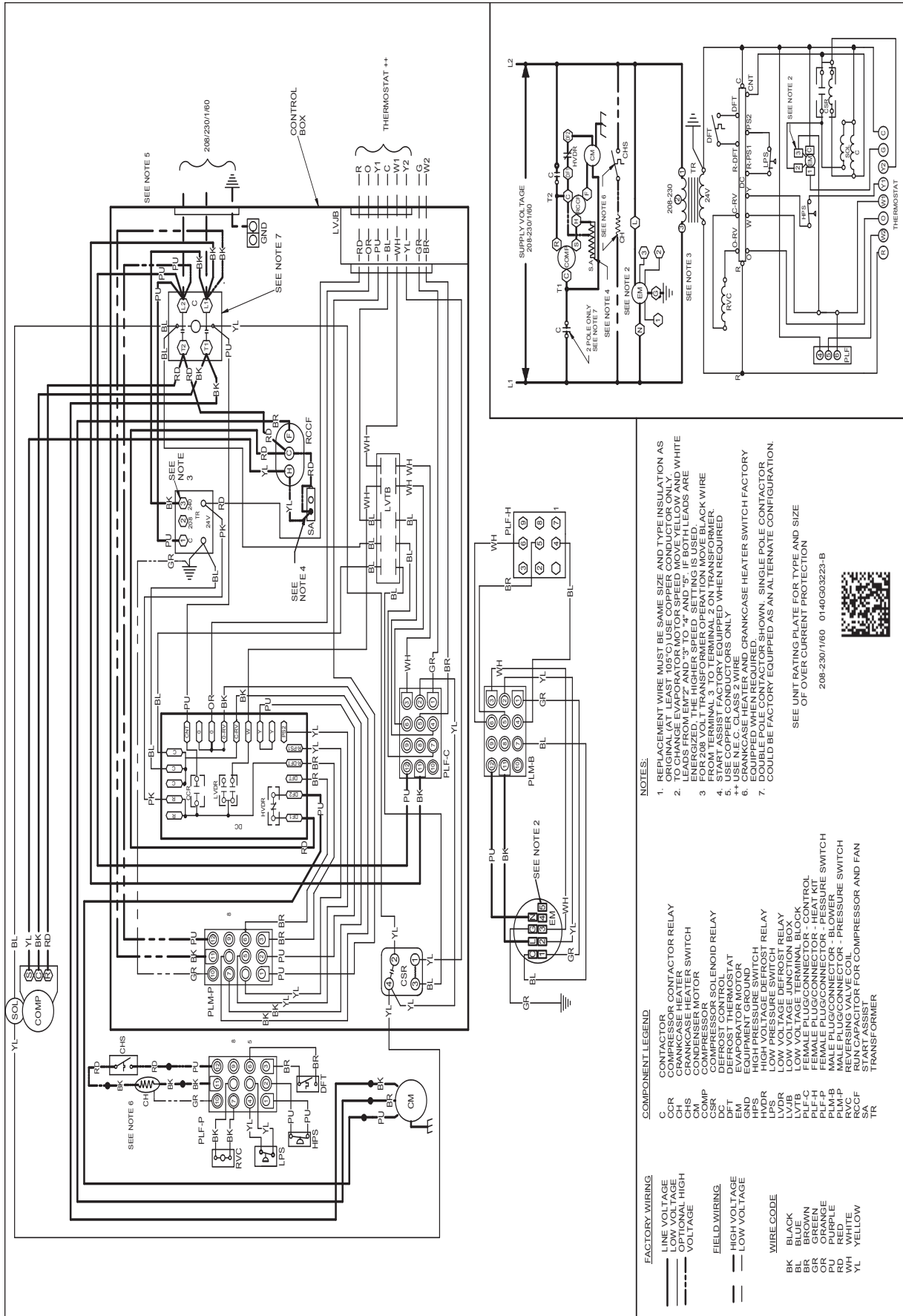
- FACTORY WIRING:**
- LINE VOLTAGE
 - LOW VOLTAGE
 - FIELD WIRING
 - HIGH VOLTAGE
 - LOW VOLTAGE
- WIRE CODE:**
- BK BLACK
 - BR BROWN
 - GR GREEN
 - OR ORANGE
 - RD RED
 - WH WHITE
 - YL YELLOW



High Voltage: Disconnect all power before servicing or installing this unit. Multiple power sources may be present. Failure to do so may cause property damage, personal injury, or death.

WARNING

Wiring is subject to change. Always refer to the wiring diagram or the unit for the most up-to-date wiring.



NOTES:

1. REPLACEMENT WIRE MUST BE SAME SIZE AND TYPE INSULATION AS ORIGINAL WIRE.
2. TO CHANGE EVAPORATOR MOTOR SPEED MOVE YELLOW AND WHITE LEADS FROM EM² AND ³ TO ⁴ AND ⁵. IF BOTH LEADS ARE YELLOW AND WHITE MOVE TO TERMINAL 1.
3. FOR 208 VOLT TRANSFORMER OPERATION MOVE BLACK WIRE FROM TERMINAL 3 TO TERMINAL 2 ON TRANSFORMER.
4. START ASSIST IS FACTORY EQUIPPED ON TRANSFORMER.
5. USE N.E.C. CLASS 2 WIRE.
6. CRANKCASE HEATER AND CRANKCASE HEATER SWITCH FACTORY EQUIPPED AS AN ALTERNATE CONFIGURATION.
7. DOUBLE POLE CONTACTOR SHOWN, SINGLE POLE CONTACTOR COULD BE FACTORY EQUIPPED AS AN ALTERNATE CONFIGURATION.

COMPONENT LEGEND

C CONTACTOR
 CHS CRANKCASE HEATER SWITCH
 CM CRANKCASE HEATER MOTOR
 COMP COMPRESSOR
 DC DEFROST CONTROL
 EM EVAPORATOR MOTOR
 GND EQUIPMENT GROUND
 HPS HIGH PRESSURE SWITCH
 LFS LOW PRESSURE SWITCH
 LVR LOW VOLTAGE DEFROST RELAY
 LVS LOW VOLTAGE DEFROST SWITCH
 LVTB LOW VOLTAGE TERMINAL BLOCK
 PLF-C FEMALE PLUG/CONNECTOR - CONTROL
 PLF-H FEMALE PLUG/CONNECTOR - HEAT KIT
 PLM-B MALE PLUG/CONNECTOR - BLOWER
 PLM-P MALE PLUG/CONNECTOR - PRESSURE SWITCH
 RVC RUN CAPACITOR FOR COMPRESSOR AND FAN
 SA START ASSIST
 TR TRANSFORMER

FACTORY WIRING

— LINE VOLTAGE
 — LOW VOLTAGE
 - - - - - HIGH VOLTAGE
 - - - - - VOLTAGE

FIELD WIRING

— HIGH VOLTAGE
 — LOW VOLTAGE

WIRE CODE

BK BLACK
 BL BLUE
 BR BROWN
 GR GREEN
 PLF-H PURPLE
 PU PURPLE
 RD RED
 WH WHITE
 YL YELLOW

SEE UNIT RATING PLATE FOR TYPE AND SIZE OF OVER CURRENT PROTECTION
 208-230/1160 014-0603223-B



WARNING

High Voltage: Disconnect all power before servicing or installing this unit. Multiple power sources may be present. Failure to do so may cause property damage, personal injury, or death.

Wiring is subject to change. Always refer to the wiring diagram or the unit for the most up-to-date wiring.

ACCESSORY DESCRIPTION	ITEM NUMBER	
	MEDIUM CHASSIS	LARGE CHASSIS
Concentric Kit	CDK36	CDK4872
Downflow Economizer	GPJMED102	GPJMED103
Downflow Internal Filter Rack	DDNIFRPCHMM	DDNIFRPCHML
Downflow Manual Damper	PGMDD101/102	PGMDD103
Downflow Motorized Damper	PGMDMD101/102	PGMDMD103
Downflow Square to Round	SQRPG101/102	SQRPG103
Economizer Wiring Harness (2-4 Ton)	0259G00215	0259G00215
Economizer Wiring Harness (5 Ton)	N/A	0259L00411
External Horizontal Filter Rack	DPHFRA	DPHFRA
Horizontal Duct Cover	20464501PDGK	20464502PDGK
Horizontal Economizer	DHZECNJPGCHM	DHZECNJPGCHL
Horizontal Manual Damper	PGMDH102	PGMDH103
Horizontal Motorized Damper	PGMDMH102	PGMDMH103
Horizontal Square to Round	SQRPGH101/102	SQRPGH103
Outdoor Thermostat & Emergency Heat Relay Kit	OT/EHR18-60	OT/EHR18-60
Outdoor Thermostat Kit w/ Lockout Stat	OT18-60A	OT18-60A
Roof Curb	D14CRBPGCHMA	D14CRBPGCHMA

SINGLE-POINT KIT ACCESSORY KITS

Select the single-point kit accessory based on the unit model.

MODEL	SINGLE-POINT KIT
GPH1424M41**	SPK-30
GPH1430M41**	SPK-35
GPH1436M41**	SPK-40
GPH1442M41**	SPK-40
GPH1448M41**	SPK-50
GPH1460M41**	SPK-60