



Air Conditioning & Heating

ARUF SERIES

MULTI-POSITION, MULTI-SPEED AIR HANDLER WITH PSC MOTOR 1½ TO 5 TONS



Contents

| | |
|-------------------------------|----|
| Nomenclature | 2 |
| Product Specifications | 3 |
| Heater Kit Nomenclature | 3 |
| Dimensions | 4 |
| Airflow Data | 5 |
| Heat Kit Data | 6 |
| Wiring Diagrams | 13 |
| Accessories | 15 |

Product Features

- Check flowrator for cooling and heat pump applications
- Direct drive, multi-speed PSC blower motor
- All-aluminum evaporator coil
- Coil mounting track for quick repositioning
- Cabinet air leakage less than 2.0% at 1.0 inch H₂O when tested in accordance with ASHRAE standard 193
- Cabinet air leakage less than 1.4% at 0.5 inch H₂O when tested in accordance with ASHRAE standard 193
- AHRI certified; ETL listed
- Rigid SmartFrame™ cabinet
- Horizontal or vertical configuration capabilities
- 21" depth for easier attic access
- DecaBDE-free thermoplastic drain pan with secondary drain connections
- Screw-less sides and back helps to reduce condensation when installed in humid locations
- Foil-faced insulation covers the internal casing to reduce cabinet condensation
- Galvanized, leather grain-embossed finish
- Glue-less cabinet insulation retention
- Tool-less filter access
- Field Installed 3 kW – 25 kW electric heater kits available

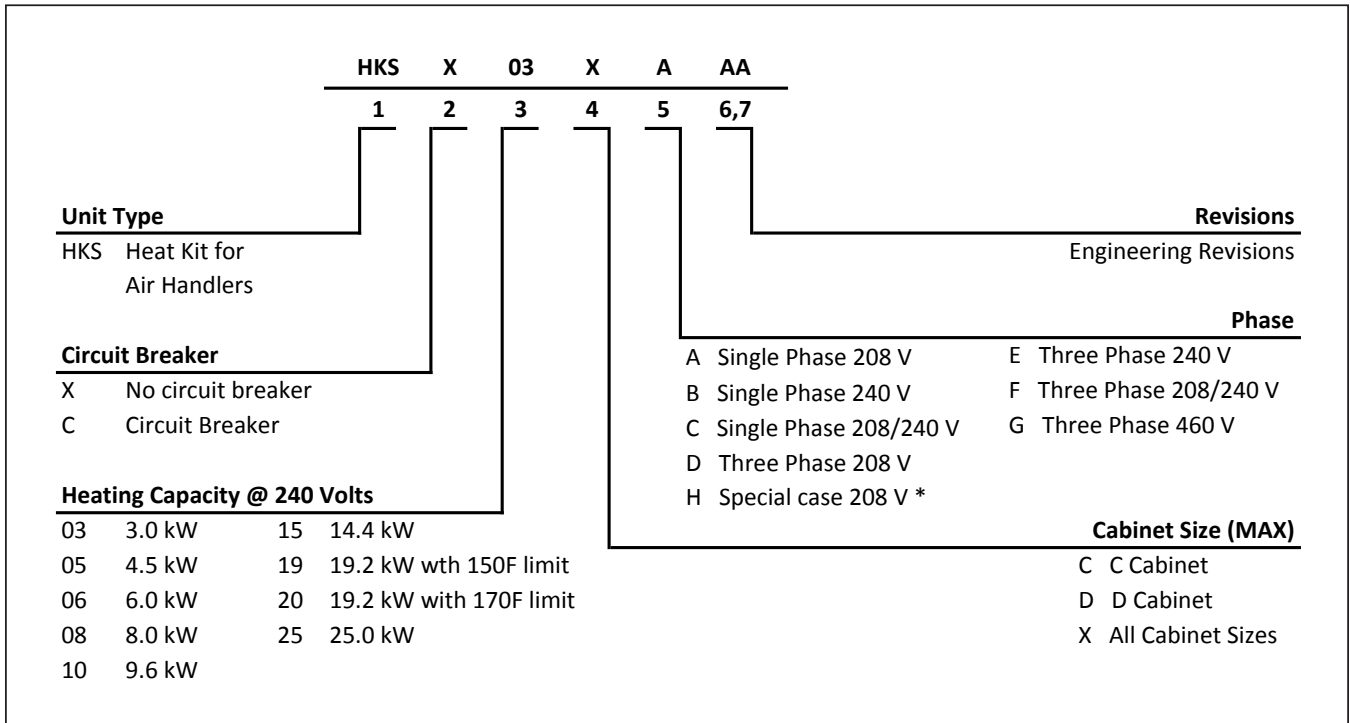
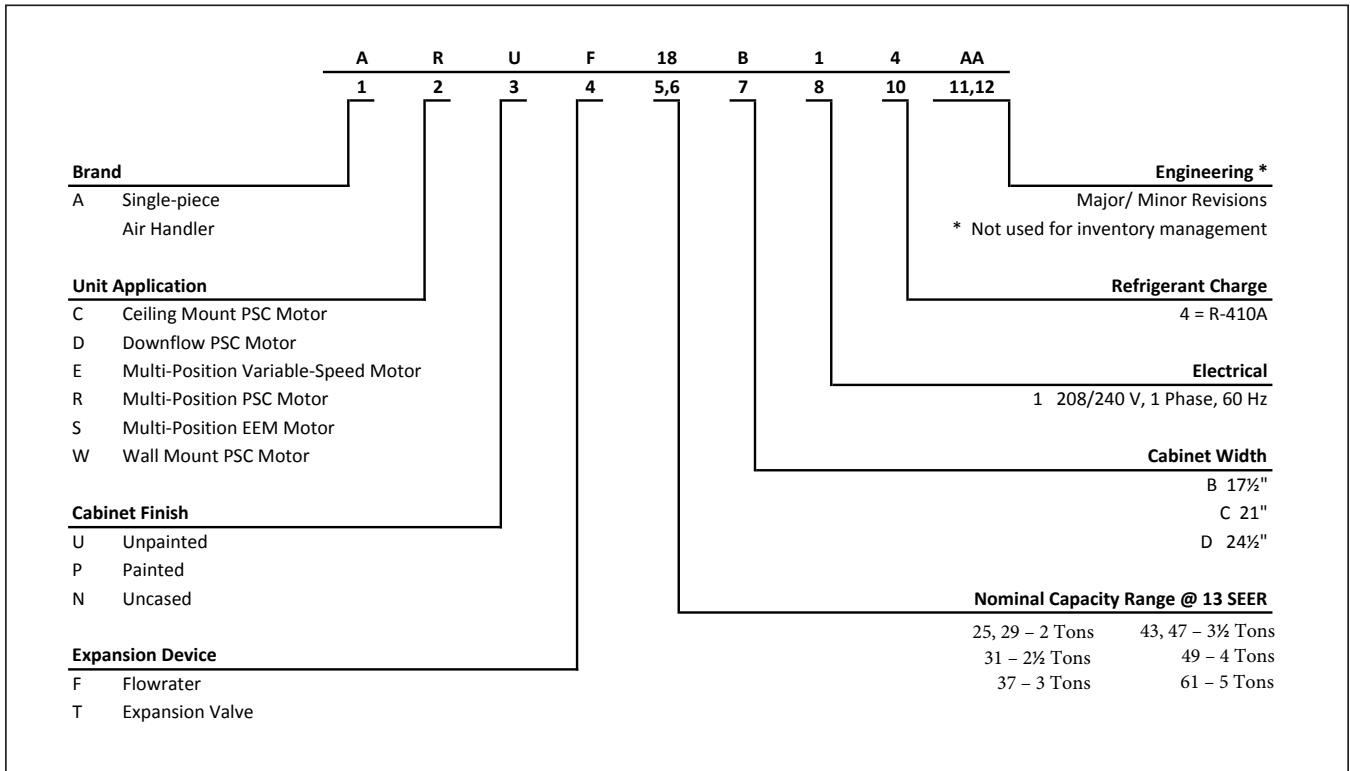


COMPANY WITH
QUALITY SYSTEM
CERTIFIED BY DNV GL
■ ISO 9001 ■

COMPANY WITH
ENVIRONMENTAL SYSTEM
CERTIFIED BY DNV GL
■ ISO 14001 ■



* Complete warranty details available from your local dealer or at www.goodmanmfg.com. To receive the 10-Year Parts Limited Warranty, online registration must be completed within 60 days of installation. Online registration is not required in California or Québec.

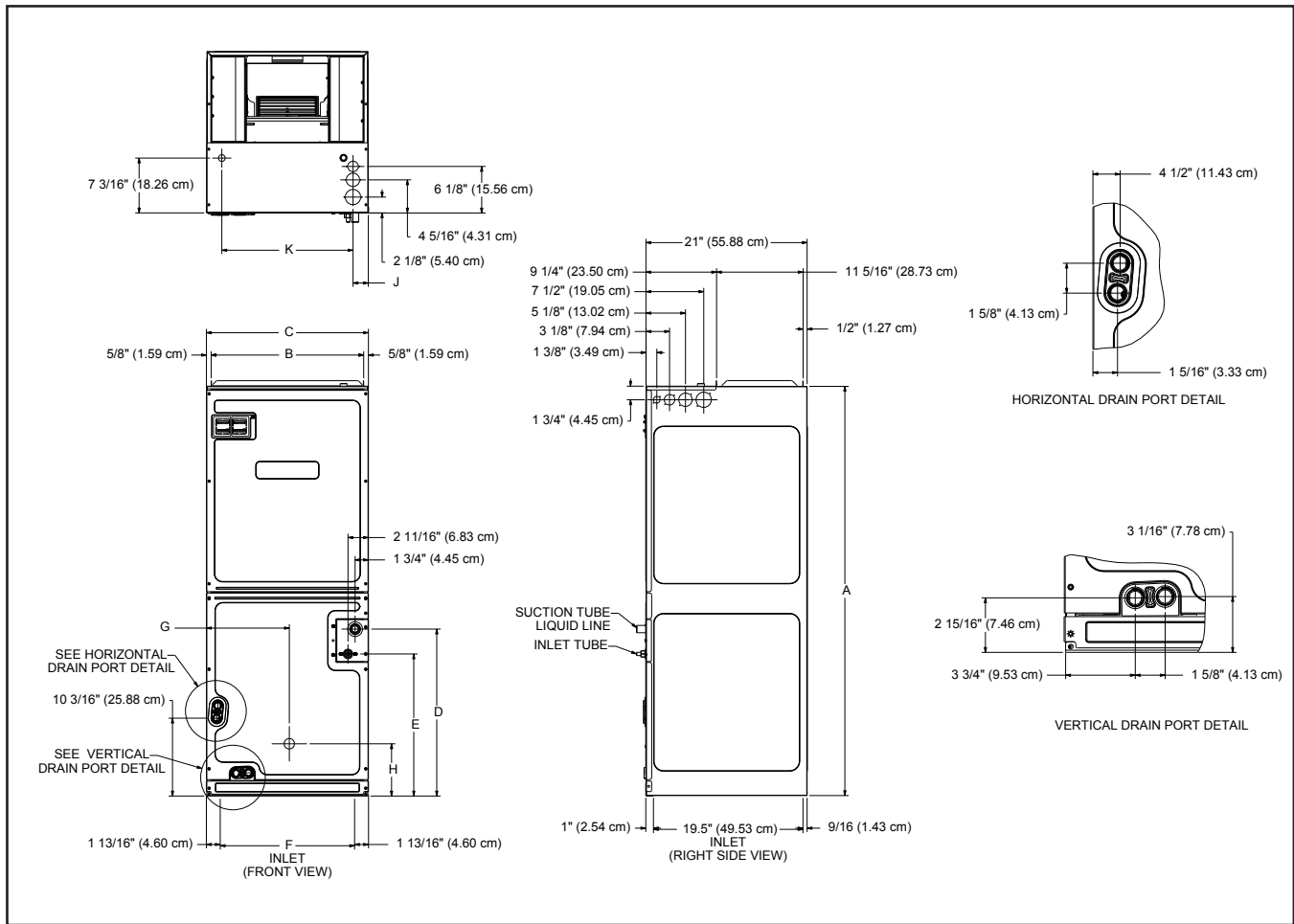


*Refer S&R Plate

| | ARUF 25B14* | ARUF 29B14* | ARUF 31B14* | ARUF 37C14* | ARUF 43C14* | ARUF 49C14* | ARUF 37D14* | ARUF 43D14* | ARUF 47D14* | ARUF 49D14* | ARUF 61D14* |
|--------------------------------|----------------|----------------|----------------|----------------|----------------|----------------|----------------|----------------|----------------|----------------|------------------------------------|
| NOMINAL RATINGS | | | | | | | | | | | |
| Cooling (Btu/h) | 24,000 | 25,000 | 30,000 | 36,000 | 42,000 | 48,000 | 36,000 | 42,000 | 43,000 | 48,000 | 60,000 |
| Piston Size | 0.051 | 0.057 | 0.065 | 0.072 | 0.076 | 0.080 | 0.072 | 0.076 | 0.076 | 0.080 | 0.080 |
| BLOWER | | | | | | | | | | | |
| Diameter | 9½" | 9½" | 9½" | 10⅝" | 10⅝" | 10⅝" | 10⅝" | 10⅝" | 10⅝" | 10⅝" | 11 ¹⁵ / ₁₆ " |
| Width | 6" | 6" | 6" | 8" | 8" | 10⅝" | 10⅝" | 10⅝" | 10⅝" | 10⅝" | 10⅝" |
| COIL CONNECTIONS | | | | | | | | | | | |
| Liquid | ⅜" | ⅜" | ⅜" | ⅜" | ⅜" | ⅜" | ⅜" | ⅜" | ⅜" | ⅜" | ⅜" |
| Suction | ¾" | ¾" | ⅞" | ⅞" | ⅞" | ⅞" | ⅞" | ⅞" | ⅞" | ⅞" | ⅞" |
| Coil Drain Connect (FPT) | ¾" | ¾" | ¾" | ¾" | ¾" | ¾" | ¾" | ¾" | ¾" | ¾" | ¾" |
| ELECTRICAL DATA | | | | | | | | | | | |
| Voltage | 208/230 | 208/230 | 208/230 | 208/230 | 208/230 | 208/230 | 208/230 | 208/230 | 208/230 | 208/230 | 208/230 |
| Min Circuit Ampacity | 2.2/2.2 | 2.2/2.2 | 2.2/2.2 | 3.6/3.6 | 3.6/3.6 | 4/4 | 3.6/3.6 | 4/4 | 4/4 | 4/4 | 6/6 |
| Max. Overcurrent Device (Amps) | 15/15 | 15/15 | 15/15 | 15/15 | 15/15 | 15/15 | 15/15 | 15/15 | 15/15 | 15/15 | 15/15 |
| Minimum VAC | 197 | 197 | 197 | 197 | 197 | 197 | 197 | 197 | 197 | 197 | 197 |
| Maximum VAC | 253 | 253 | 253 | 253 | 253 | 253 | 253 | 253 | 253 | 253 | 253 |
| Blower Motor | | | | | | | | | | | |
| Full Load Amps (FLA) | 1.75 | 1.75 | 1.75 | 2.85 | 2.85 | 3.1 | 2.85 | 3.5 | 3.5 | 3.5 | 4.6 |
| Horsepower (HP) | ⅓ | ⅓ | ⅓ | ⅓ | ⅓ | ½ | ⅓ | ½ | ½ | ½ | ¾ |
| SHIP WEIGHT (LBS.) | | | | | | | | | | | |
| | 100 | 100 | 110 | 130 | 130 | 135 | 140 | 145 | 150 | 145 | 155 |

Note: For a properly matched system and piston sizing information, refer to Amana piston kit chart of the corresponding Amana® outdoor unit.
 Minimum Circuit Ampacity (MCA) and Maximum Overcurrent Protection (MOP) for blower without supplemental heat installed.
 Refer to unit nameplate and/or Heat Kit Data for specification with approved accessory heaters installed.

DIMENSIONS



| MODEL | A" | B" | C" | D" | E" | F" | G" | H" |
|------------|---------------------------------|---------------------------------|--------------------------------|----------------------------------|---------------------------------|----------------------------------|----------------------------------|---------------------------------|
| ARUF25B14* | 45 | 16 ³ / ₈ | 17 ¹ / ₂ | 15 ¹ / ₄ | 12 | 14 ³ / ₈ | 9 ³ / ₈ | 11 ³ / ₈ |
| ARUF29B14* | 45 | 16 ³ / ₈ | 17 ¹ / ₂ | 15 ¹ / ₄ | 12 | 14 ³ / ₈ | 9 ³ / ₈ | 12 ³ / ₄ |
| ARUF31B14* | 53 ⁷ / ₁₆ | 16 ³ / ₈ | 17 ¹ / ₂ | 23 ¹¹ / ₁₆ | 20 ¹ / ₂ | 14 ³ / ₈ | 9 ³ / ₈ | 7 ⁵ / ₈ |
| ARUF37C14* | 53 ⁷ / ₁₆ | 19 ³ / ₈ | 21 | 21 ¹³ / ₁₆ | 18 ⁵ / ₈ | 17 ¹¹ / ₁₆ | 10 ¹³ / ₁₆ | 6 ¹³ / ₁₆ |
| ARUF43C14* | 53 ⁷ / ₁₆ | 19 ³ / ₈ | 21 | 21 ¹³ / ₁₆ | 18 ⁵ / ₈ | 17 ¹¹ / ₁₆ | 10 ¹³ / ₁₆ | 6 ¹³ / ₁₆ |
| ARUF49C14* | 53 ⁷ / ₁₆ | 19 ³ / ₈ | 21 | 21 ¹³ / ₁₆ | 18 ⁵ / ₈ | 17 ¹¹ / ₁₆ | 10 ¹³ / ₁₆ | 6 ¹³ / ₁₆ |
| ARUF37D14* | 53 ⁷ / ₁₆ | 23 ⁵ / ₁₆ | 24 ¹ / ₂ | 21 ¹ / ₂ | 18 ⁵ / ₁₆ | 21 ³ / ₁₆ | 12 ⁵ / ₈ | 6 ⁷ / ₈ |
| ARUF43D14* | 53 ⁷ / ₁₆ | 23 ⁵ / ₁₆ | 24 ¹ / ₂ | 21 ¹ / ₂ | 18 ⁵ / ₁₆ | 21 ³ / ₁₆ | 12 ⁵ / ₈ | 6 ⁷ / ₈ |
| ARUF47D14* | 58 | 23 ⁵ / ₁₆ | 24 ¹ / ₂ | 26 ³ / ₈ | 22 ⁷ / ₈ | 21 ³ / ₁₆ | 12 ⁵ / ₈ | 25 ² / ₁₆ |
| ARUF49D14* | 53 ⁷ / ₁₆ | 23 ⁵ / ₁₆ | 24 ¹ / ₂ | 21 ¹ / ₂ | 18 ⁵ / ₁₆ | 21 ³ / ₁₆ | 12 ⁵ / ₈ | 6 ⁷ / ₈ |
| ARUF61D14* | 58 | 23 ⁵ / ₁₆ | 24 ¹ / ₂ | 26 ³ / ₈ | 22 ⁷ / ₈ | 21 ³ / ₁₆ | 12 ⁵ / ₈ | 25 ² / ₁₆ |

| MODEL | MOTOR SPEED | STATIC PRESSURE (IN W.C) AIRFLOW (CFM) | | | | | | |
|-----------|-------------|--|------|------|------|------|------|------|
| | | 0.1 | 0.2 | 0.3 | 0.4 | 0.5 | 0.6 | 0.7 |
| ARUF25B14 | Low | 650 | 620 | 595 | 540 | 490 | 420 | 275 |
| | Med | 885 | 865 | 825 | 815 | 750 | 690 | 560 |
| | High | 1255 | 1225 | 1130 | 1090 | 965 | 925 | 800 |
| ARUF29B14 | Low | 650 | 620 | 595 | 540 | 490 | 420 | 275 |
| | Med | 885 | 865 | 825 | 815 | 750 | 690 | 560 |
| | High | 1255 | 1225 | 1130 | 1090 | 965 | 925 | 800 |
| ARUF31B14 | Low | 660 | 625 | 595 | 560 | 500 | 430 | 330 |
| | Med | 930 | 905 | 865 | 820 | 765 | 700 | 590 |
| | High | 1235 | 1185 | 1130 | 1060 | 990 | 910 | 825 |
| ARUF37C14 | Low | 1120 | 1085 | 1040 | 1000 | 940 | 875 | 800 |
| | Med | 1425 | 1385 | 1345 | 1285 | 1220 | 1145 | 1060 |
| | High | 1625 | 1575 | 1520 | 1460 | 1375 | 1295 | 1200 |
| ARUF43C14 | Low | 1120 | 1085 | 1040 | 1000 | 940 | 875 | 800 |
| | Med | 1425 | 1385 | 1345 | 1285 | 1220 | 1145 | 1060 |
| | High | 1625 | 1575 | 1520 | 1460 | 1375 | 1295 | 1200 |
| ARUF49C14 | Low | 1295 | 1255 | 1225 | 1175 | 1120 | 1055 | 970 |
| | Med | 1535 | 1485 | 1420 | 1370 | 1295 | 1215 | 1130 |
| | High | 1755 | 1680 | 1590 | 1515 | 1425 | 1340 | 1250 |
| ARUF37D14 | Low | 1155 | 1115 | 1070 | 1015 | 955 | 895 | 840 |
| | Med | 1505 | 1470 | 1430 | 1375 | 1300 | 1210 | 1105 |
| | High | 1785 | 1735 | 1680 | 1625 | 1555 | 1440 | 1330 |
| ARUF43D14 | Low | 1410 | 1360 | 1290 | 1210 | 1120 | 1010 | 920 |
| | Med | 1610 | 1540 | 1470 | 1390 | 1300 | 1190 | 1060 |
| | High | 1900 | 1830 | 1740 | 1645 | 1540 | 1420 | 1280 |
| ARUF47D14 | Low | 1420 | 1370 | 1310 | 1240 | 1125 | 1045 | 960 |
| | Med | 1625 | 1585 | 1515 | 1435 | 1350 | 1235 | 1095 |
| | High | 1930 | 1890 | 1820 | 1735 | 1635 | 1505 | 1355 |
| ARUF49D14 | Low | 1410 | 1360 | 1290 | 1210 | 1120 | 1010 | 920 |
| | Med | 1610 | 1540 | 1470 | 1390 | 1300 | 1190 | 1060 |
| | High | 1900 | 1830 | 1740 | 1645 | 1540 | 1420 | 1280 |
| ARUF61D14 | Low | 1530 | 1500 | 1460 | 1405 | 1350 | 1280 | 1155 |
| | Med | 1950 | 1885 | 1830 | 1785 | 1745 | 1670 | 1595 |
| | High | 2235 | 2170 | 2100 | 2030 | 1965 | 1915 | 1825 |

NOTES

- Airflow data indicated is at 230V without air filter in place.
- The chart is for information only. For satisfactory operation, external static pressure must not exceed value shown on rating plate. The shaded area indicates ranges in excess of maximum design external static pressure.
- Use the CFM adjustment factors of 0.98 for horizontal left and 0.96 for horizontal right & downflow orientations

HEAT KIT DATA

| HEATER KIT MODEL | | CIRCUIT 1 | | | CIRCUIT 2 | | | SINGLE-POINT KIT | |
|--------------------|------------|-----------|------------------|------------------|-----------|------------------|------------------|------------------|------------------|
| | | AMPS | MCA ¹ | MOP ² | AMPS | MCA ¹ | MOP ² | MCA ¹ | MOP ² |
| ARUF25B14AC | | 0/0 | 2.2/2.2 | 15/15 | --- | --- | --- | --- | --- |
| HKSX03XC - 208 V | No Breaker | 10.8 | 16 | 20 | --- | --- | --- | --- | --- |
| HKSX05XC - 208 V | | 17.3 | 24 | 25 | --- | --- | --- | --- | --- |
| HKSX06XC - 208 V | | 21.7 | 29 | 30 | --- | --- | --- | --- | --- |
| HKSX08XC - 208 V | | 28.9 | 38 | 40 | --- | --- | --- | --- | --- |
| HKSX10XC - 208 V | | 34.7 | 46 | 50 | --- | --- | --- | --- | --- |
| HKSC05XC - 208 V | Breaker | 17.3 | 24 | 25 | --- | --- | --- | --- | --- |
| HKSC08XC - 208 V | | 28.9 | 38 | 40 | --- | --- | --- | --- | --- |
| HKSC10XC - 208 V | | 34.7 | 46 | 50 | --- | --- | --- | --- | --- |
| HKSX03XC - 240 V | No Breaker | 12.5 | 18 | 20 | --- | --- | --- | --- | --- |
| HKSX05XC - 240 V | | 20 | 27 | 30 | --- | --- | --- | --- | --- |
| HKSX06XC - 240 V | | 25 | 33 | 35 | --- | --- | --- | --- | --- |
| HKSX08XC - 240 V | | 33.3 | 44 | 45 | --- | --- | --- | --- | --- |
| HKSX10XC - 240 V | | 40.0 | 52 | 60 | --- | --- | --- | --- | --- |
| HKSC05XC - 240 V | Breaker | 20 | 27 | 30 | --- | --- | --- | --- | --- |
| HKSC08XC - 240 V | | 33.3 | 44 | 45 | --- | --- | --- | --- | --- |
| HKSC10XC - 240 V | | 40.0 | 52 | 60 | --- | --- | --- | --- | --- |
| ARUF29B14AC | | 0/0 | 2.2/2.2 | 15/15 | --- | --- | --- | --- | --- |
| HKSX03XC - 208 V | No Breaker | 10.8 | 16 | 20 | --- | --- | --- | --- | --- |
| HKSX05XC - 208 V | | 17.3 | 24 | 25 | --- | --- | --- | --- | --- |
| HKSX06XC - 208 V | | 21.7 | 29 | 30 | --- | --- | --- | --- | --- |
| HKSX08XC - 208 V | | 28.9 | 38 | 40 | --- | --- | --- | --- | --- |
| HKSX10XC - 208 V | | 34.7 | 46 | 50 | --- | --- | --- | --- | --- |
| HKSC05XC - 208 V | Breaker | 17.3 | 24 | 25 | --- | --- | --- | --- | --- |
| HKSC08XC - 208 V | | 28.9 | 38 | 40 | --- | --- | --- | --- | --- |
| HKSC10XC - 208 V | | 34.7 | 46 | 50 | --- | --- | --- | --- | --- |
| HKSX03XC - 240 V | No Breaker | 12.5 | 18 | 20 | --- | --- | --- | --- | --- |
| HKSX05XC - 240 V | | 20 | 27 | 30 | --- | --- | --- | --- | --- |
| HKSX06XC - 240 V | | 25 | 33 | 35 | --- | --- | --- | --- | --- |
| HKSX08XC - 240 V | | 33.3 | 44 | 45 | --- | --- | --- | --- | --- |
| HKSX10XC - 240 V | | 40.0 | 52 | 60 | --- | --- | --- | --- | --- |
| HKSC05XC - 240 V | Breaker | 20 | 27 | 30 | --- | --- | --- | --- | --- |
| HKSC08XC - 240 V | | 33.3 | 44 | 45 | --- | --- | --- | --- | --- |
| HKSC10XC - 240 V | | 40.0 | 52 | 60 | --- | --- | --- | --- | --- |
| ARUF31B14AC | | 0/0 | 2.2/2.2 | 15/15 | --- | --- | --- | --- | --- |
| HKSX03XC - 208 V | No Breaker | 10.8 | 16 | 20 | --- | --- | --- | --- | --- |
| HKSX05XC - 208 V | | 17.3 | 24 | 25 | --- | --- | --- | --- | --- |
| HKSX06XC - 208 V | | 21.7 | 29 | 30 | --- | --- | --- | --- | --- |
| HKSX08XC - 208 V | | 28.9 | 38 | 40 | --- | --- | --- | --- | --- |
| HKSX10XC - 208 V | | 34.7 | 46 | 50 | --- | --- | --- | --- | --- |
| HKSC05XC - 208 V | Breaker | 17.3 | 24 | 25 | --- | --- | --- | --- | --- |
| HKSC08XC - 208 V | | 28.9 | 38 | 40 | --- | --- | --- | --- | --- |
| HKSC10XC - 208 V | | 34.7 | 46 | 50 | --- | --- | --- | --- | --- |
| HKSC15XA - 208 V | | 34.7 | 46 | 50 | 17.3 | 22 | 25 | 67 | 70 |

See notes on page 12.

| HEATER KIT MODEL | | CIRCUIT 1 | | | CIRCUIT 2 | | | SINGLE-POINT KIT | |
|--------------------|------------|-----------|------------------|------------------|-----------|------------------|------------------|------------------|------------------|
| | | AMPS | MCA ¹ | MOP ² | AMPS | MCA ¹ | MOP ² | MCA ¹ | MOP ² |
| HKXS03XC - 240 V | No Breaker | 12.5 | 18 | 20 | --- | --- | --- | --- | --- |
| HKXS05XC - 240 V | | 20 | 27 | 30 | --- | --- | --- | --- | --- |
| HKXS06XC - 240 V | | 25 | 33 | 35 | --- | --- | --- | --- | --- |
| HKXS08XC - 240 V | | 33.3 | 44 | 45 | --- | --- | --- | --- | --- |
| HKXS10XC - 240 V | | 40.0 | 52 | 60 | --- | --- | --- | --- | --- |
| HKSC05XC - 240 V | Breaker | 20 | 27 | 30 | --- | --- | --- | --- | --- |
| HKSC08XC - 240 V | | 33.3 | 44 | 45 | --- | --- | --- | --- | --- |
| HKSC10XC - 240 V | | 40.0 | 52 | 60 | --- | --- | --- | --- | --- |
| HKSC15XB - 240 V | | 40.0 | 52 | 60 | 20 | 25 | 25 | 77 | 80 |
| ARUF37C14AD | | 0/0 | 3.6/3.6 | 15/15 | --- | --- | --- | --- | --- |
| HKXS03XC - 208 V | No Breaker | 10.8 | 17 | 20 | --- | --- | --- | --- | --- |
| HKXS05XC - 208 V | | 17.3 | 25.2 | 30 | --- | --- | --- | --- | --- |
| HKXS06XC - 208 V | | 21.7 | 31 | 35 | --- | --- | --- | --- | --- |
| HKXS08XC - 208 V | | 28.9 | 40 | 40 | --- | --- | --- | --- | --- |
| HKXS10XC - 208 V | | 34.7 | 46.9 | 50 | --- | --- | --- | --- | --- |
| HKSC05XC - 208 V | Breaker | 17.3 | 25.2 | 30 | --- | --- | --- | --- | --- |
| HKSC08XC - 208 V | | 28.9 | 40 | 40 | --- | --- | --- | --- | --- |
| HKSC10XC - 208 V | | 34.7 | 46.9 | 50 | --- | --- | --- | --- | --- |
| HKSC15XA - 208 V | | 34.7 | 46.9 | 50 | 17.3 | 22 | 25 | 68.6 | 70 |
| HKSC19CA - 208 V | | 34.7 | 46.9 | 50 | 34.7 | 43 | 45 | 90.2 | 100 |
| HKSC15XF - 208 V ^ | | 0 | 3.6 | 15 | 30 | 38 | 40 | --- | --- |
| HKSC20XF - 208 V ^ | 0 | 3.6 | 15 | 38 | 47 | 50 | --- | --- | |
| HKXS03XC - 240 V | No Breaker | 12.5 | 19 | 20 | --- | --- | --- | --- | --- |
| HKXS05XC - 240 V | | 20 | 29 | 30 | --- | --- | --- | --- | --- |
| HKXS06XC - 240 V | | 25 | 35 | 35 | --- | --- | --- | --- | --- |
| HKXS08XC - 240 V | | 33.3 | 45.2 | 50 | --- | --- | --- | --- | --- |
| HKXS10XC - 240 V | | 40 | 53.6 | 60 | --- | --- | --- | --- | --- |
| HKSC05XC - 240 V | Breaker | 20 | 29 | 30 | --- | --- | --- | --- | --- |
| HKSC08XC - 240 V | | 33.3 | 45.2 | 50 | --- | --- | --- | --- | --- |
| HKSC10XC - 240 V | | 40 | 53.6 | 60 | --- | --- | --- | --- | --- |
| HKSC15XB - 240 V | | 40 | 53.6 | 60 | 20 | 25 | 25 | 78.6 | 80 |
| HKSC19CB - 240 V | | 40 | 53.6 | 60 | 40 | 50 | 50 | 104 | 110 |
| HKSC15XF - 240 V ^ | | 0 | 3.6 | 15 | 34.6 | 43 | 45 | --- | --- |
| HKSC20XF - 240 V ^ | | 0 | 3.6 | 15 | 43 | 54 | 60 | --- | --- |
| ARUF37D14AD | | 0/0 | 3.6/3.6 | 15/15 | --- | --- | --- | --- | --- |
| HKXS03XC - 208 V | No Breaker | 10.8 | 17 | 20 | --- | --- | --- | --- | --- |
| HKXS05XC - 208 V | | 17.3 | 25.2 | 30 | --- | --- | --- | --- | --- |
| HKXS06XC - 208 V | | 21.7 | 31 | 35 | --- | --- | --- | --- | --- |
| HKXS08XC - 208 V | | 28.9 | 40 | 40 | --- | --- | --- | --- | --- |
| HKXS10XC - 208 V | | 34.7 | 46.9 | 50 | --- | --- | --- | --- | --- |

See notes on page 12.

HEAT KIT DATA (CONT.)

| HEATER KIT MODEL | | CIRCUIT 1 | | | CIRCUIT 2 | | | SINGLE-POINT KIT | |
|--------------------|------------|-----------|------------------|------------------|-----------|------------------|------------------|------------------|------------------|
| | | AMPS | MCA ¹ | MOP ² | AMPS | MCA ¹ | MOP ² | MCA ¹ | MOP ² |
| HKSC05XC - 208 V | Breaker | 17.3 | 25.2 | 30 | --- | --- | --- | --- | --- |
| HKSC08XC - 208 V | | 28.9 | 40 | 40 | --- | --- | --- | --- | --- |
| HKSC10XC - 208 V | | 34.7 | 46.9 | 50 | --- | --- | --- | --- | --- |
| HKSC15XA - 208 V | | 34.7 | 46.9 | 50 | 17.3 | 22 | 25 | 68.6 | 70 |
| HKSC20DA - 208 V | | 34.7 | 46.9 | 50 | 34.7 | 43 | 45 | 90.2 | 100 |
| HKSC15XF - 208 V ^ | | 0 | 3.6 | 15 | 30 | 38 | 40 | --- | --- |
| HKSC20XF - 208 V ^ | | 0 | 3.6 | 15 | 38 | 47 | 50 | --- | --- |
| HKSX03XC - 240 V | No Breaker | 12.5 | 19 | 20 | --- | --- | --- | --- | --- |
| HKSX05XC - 240 V | | 20 | 29 | 30 | --- | --- | --- | --- | --- |
| HKSX06XC - 240 V | | 25 | 35 | 35 | --- | --- | --- | --- | --- |
| HKSX08XC - 240 V | | 33.3 | 45.2 | 50 | --- | --- | --- | --- | --- |
| HKSX10XC - 240 V | | 40 | 53.6 | 60 | --- | --- | --- | --- | --- |
| HKSC05XC - 240 V | Breaker | 20 | 29 | 30 | --- | --- | --- | --- | --- |
| HKSC08XC - 240 V | | 33.3 | 45.2 | 50 | --- | --- | --- | --- | --- |
| HKSC10XC - 240 V | | 40 | 53.6 | 60 | --- | --- | --- | --- | --- |
| HKSC15XB - 240 V | | 40 | 53.6 | 60 | 20 | 25 | 25 | 78.6 | 80 |
| HKSC20DB - 240 V | | 40 | 53.6 | 60 | 40 | 50 | 50 | 104 | 110 |
| HKSC15XF - 240 V ^ | | 0 | 3.6 | 15 | 34.6 | 43 | 45 | --- | --- |
| HKSC20XF - 240 V ^ | | 0 | 3.6 | 15 | 43 | 54 | 60 | --- | --- |
| ARUF43C14AD | | 0/0 | 3.6/3.6 | 15/15 | --- | --- | --- | --- | --- |
| HKSX03XC - 208 V | No Breaker | 10.8 | 17 | 20 | --- | --- | --- | --- | --- |
| HKSX05XC - 208 V | | 17.3 | 25.2 | 30 | --- | --- | --- | --- | --- |
| HKSX06XC - 208 V | | 21.7 | 31 | 35 | --- | --- | --- | --- | --- |
| HKSX08XC - 208 V | | 28.9 | 40 | 40 | --- | --- | --- | --- | --- |
| HKSX10XC - 208 V | | 34.7 | 46.9 | 50 | --- | --- | --- | --- | --- |
| HKSC05XC - 208 V | Breaker | 17.3 | 25.2 | 30 | --- | --- | --- | --- | --- |
| HKSC08XC - 208 V | | 28.9 | 40 | 40 | --- | --- | --- | --- | --- |
| HKSC10XC - 208 V | | 34.7 | 46.9 | 50 | --- | --- | --- | --- | --- |
| HKSC15XA - 208 V | | 34.7 | 46.9 | 50 | 17.3 | 22 | 25 | 68.6 | 70 |
| HKSC19CA - 208 V | | 34.7 | 46.9 | 50 | 34.7 | 43 | 45 | 90.2 | 100 |
| HKSC15XF - 208 V ^ | | 0 | 3.6 | 15 | 30 | 38 | 40 | --- | --- |
| HKSC20XF - 208 V ^ | | 0 | 3.6 | 15 | 38 | 47 | 50 | --- | --- |
| HKSX03XC - 240 V | No Breaker | 12.5 | 19 | 20 | --- | --- | --- | --- | --- |
| HKSX05XC - 240 V | | 20 | 29 | 30 | --- | --- | --- | --- | --- |
| HKSX06XC - 240 V | | 25 | 35 | 35 | --- | --- | --- | --- | --- |
| HKSX08XC - 240 V | | 33.3 | 45.2 | 50 | --- | --- | --- | --- | --- |
| HKSX10XC - 240 V | | 40 | 53.6 | 60 | --- | --- | --- | --- | --- |

See notes on page 12.

| HEATER KIT MODEL | | CIRCUIT 1 | | | CIRCUIT 2 | | | SINGLE-POINT KIT | |
|--------------------|------------|-----------|------------------|------------------|-----------|------------------|------------------|------------------|------------------|
| | | AMPS | MCA ¹ | MOP ² | AMPS | MCA ¹ | MOP ² | MCA ¹ | MOP ² |
| HKSC05XC - 240 V | Breaker | 20 | 29 | 30 | --- | --- | --- | --- | --- |
| HKSC08XC - 240 V | | 33.3 | 45.2 | 50 | --- | --- | --- | --- | --- |
| HKSC10XC - 240 V | | 40 | 53.6 | 60 | --- | --- | --- | --- | --- |
| HKSC15XB - 240 V | | 40 | 53.6 | 60 | 20 | 25 | 25 | 78.6 | 80 |
| HKSC19CB - 240 V | | 40 | 53.6 | 60 | 40 | 50 | 50 | 104 | 110 |
| HKSC15XF - 240 V ^ | | 0 | 3.6 | 15 | 34.6 | 43 | 45 | --- | --- |
| HKSC20XF - 240 V ^ | | 0 | 3.6 | 15 | 43 | 54 | 60 | --- | --- |
| ARUF43D14AC | | 0/0 | 4/4 | 15/15 | --- | --- | --- | --- | --- |
| HKSX03XC - 208 V | No Breaker | 10.8 | 18 | 20 | --- | --- | --- | --- | --- |
| HKSX05XC - 208 V | | 17.3 | 26 | 30 | --- | --- | --- | --- | --- |
| HKSX06XC - 208 V | | 21.7 | 31 | 35 | --- | --- | --- | --- | --- |
| HKSX08XC - 208 V | | 28.9 | 40.5 | 45 | --- | --- | --- | --- | --- |
| HKSX10XC - 208 V | | 34.7 | 48 | 50 | --- | --- | --- | --- | --- |
| HKSC05XC - 208 V | Breaker | 17.3 | 26 | 30 | --- | --- | --- | --- | --- |
| HKSC08XC - 208 V | | 28.9 | 40.5 | 45 | --- | --- | --- | --- | --- |
| HKSC10XC - 208 V | | 34.7 | 48 | 50 | --- | --- | --- | --- | --- |
| HKSC15XA - 208 V | | 34.7 | 48 | 50 | 17.3 | 22 | 25 | 69 | 70 |
| HKSC20DA - 208 V | | 34.7 | 48 | 50 | 34.7 | 43 | 45 | 91 | 100 |
| HKSC15XF - 208 V ^ | | 0 | 4 | 15 | 30 | 38 | 40 | --- | --- |
| HKSC20XF - 208 V ^ | | 0 | 4 | 15 | 38 | 47 | 50 | --- | --- |
| HKSX03XC - 240 V | No Breaker | 12.5 | 20 | 20 | --- | --- | --- | --- | --- |
| HKSX05XC - 240 V | | 20 | 29 | 30 | --- | --- | --- | --- | --- |
| HKSX06XC - 240 V | | 25 | 36 | 40 | --- | --- | --- | --- | --- |
| HKSX08XC - 240 V | | 33.3 | 46 | 50 | --- | --- | --- | --- | --- |
| HKSX10XC - 240 V | | 40 | 54 | 60 | --- | --- | --- | --- | --- |
| HKSC05XC - 240 V | Breaker | 20 | 29 | 30 | --- | --- | --- | --- | --- |
| HKSC08XC - 240 V | | 33.3 | 46 | 50 | --- | --- | --- | --- | --- |
| HKSC10XC - 240 V | | 40 | 54 | 60 | --- | --- | --- | --- | --- |
| HKSC15XB - 240 V | | 40 | 54 | 60 | 20 | 25 | 25 | 79 | 80 |
| HKSC20DB - 240 V | | 40 | 54 | 60 | 40 | 50 | 50 | 104 | 110 |
| HKSC15XF - 240 V ^ | | 0 | 4 | 15 | 34.6 | 43 | 45 | --- | --- |
| HKSC20XF - 240 V ^ | | 0 | 4 | 15 | 43 | 54 | 60 | --- | --- |
| ARUF47D14AC | | 0/0 | 4/4 | 15/15 | --- | --- | --- | --- | --- |
| HKSX03XC - 208 V | No Breaker | 10.8 | 18 | 20 | --- | --- | --- | --- | --- |
| HKSX05XC - 208 V | | 17.3 | 26 | 30 | --- | --- | --- | --- | --- |
| HKSX06XC - 208 V | | 21.7 | 31 | 35 | --- | --- | --- | --- | --- |
| HKSX08XC - 208 V | | 28.9 | 40.5 | 45 | --- | --- | --- | --- | --- |
| HKSX10XC - 208 V | | 34.7 | 48 | 50 | --- | --- | --- | --- | --- |

See notes on page 12.

HEAT KIT DATA (CONT.)

| HEATER KIT MODEL | | CIRCUIT 1 | | | CIRCUIT 2 | | | SINGLE-POINT KIT | |
|--------------------|------------|-----------|------------------|------------------|-----------|------------------|------------------|------------------|------------------|
| | | AMPS | MCA ¹ | MOP ² | AMPS | MCA ¹ | MOP ² | MCA ¹ | MOP ² |
| HKSC05XC - 208 V | Breaker | 17.3 | 26 | 30 | --- | --- | --- | --- | --- |
| HKSC08XC - 208 V | | 28.9 | 40.5 | 45 | --- | --- | --- | --- | --- |
| HKSC10XC - 208 V | | 34.7 | 48 | 50 | --- | --- | --- | --- | --- |
| HKSC15XA - 208 V | | 34.7 | 48 | 50 | 17.3 | 22 | 25 | 69 | 70 |
| HKSC20DA - 208 V | | 34.7 | 48 | 50 | 34.7 | 44 | 45 | 91 | 100 |
| HKSC15XF - 208 V ^ | | 0 | 4 | 15 | 30 | 38 | 40 | --- | --- |
| HKSC20XF - 208 V ^ | | 0 | 4 | 15 | 38 | 47 | 50 | --- | --- |
| HKSX03XC - 240 V | No Breaker | 12.5 | 20 | 20 | --- | --- | --- | --- | --- |
| HKSX05XC - 240 V | | 20 | 29 | 30 | --- | --- | --- | --- | --- |
| HKSX06XC - 240 V | | 25 | 36 | 40 | --- | --- | --- | --- | --- |
| HKSX08XC - 240 V | | 33.3 | 46 | 50 | --- | --- | --- | --- | --- |
| HKSX10XC - 240 V | | 40 | 54 | 60 | --- | --- | --- | --- | --- |
| HKSC05XC - 240 V | Breaker | 20 | 29 | 30 | --- | --- | --- | --- | --- |
| HKSC08XC - 240 V | | 33.3 | 46 | 50 | --- | --- | --- | --- | --- |
| HKSC10XC - 240 V | | 40 | 54 | 60 | --- | --- | --- | --- | --- |
| HKSC15XB - 240 V | | 40 | 54 | 60 | 20 | 25 | 25 | 79 | 80 |
| HKSC20DB - 240 V | | 40 | 54 | 60 | 40 | 50 | 50 | 104 | 110 |
| HKSC15XF - 240 V ^ | | 0 | 4 | 15 | 34.6 | 43 | 45 | --- | --- |
| HKSC20XF - 240 V ^ | | 0 | 4 | 15 | 43 | 54 | 60 | --- | --- |
| ARUF49C14AC | | 0/0 | 4/4 | 15/15 | --- | --- | --- | --- | --- |
| HKSX03XC - 208 V | No Breaker | 10.8 | 17 | 20 | --- | --- | --- | --- | --- |
| HKSX05XC - 208 V | | 17.3 | 26 | 30 | --- | --- | --- | --- | --- |
| HKSX06XC - 208 V | | 21.7 | 31 | 35 | --- | --- | --- | --- | --- |
| HKSX08XC - 208 V | | 28.9 | 40 | 40 | --- | --- | --- | --- | --- |
| HKSX10XC - 208 V | | 34.7 | 47 | 50 | --- | --- | --- | --- | --- |
| HKSC05XC - 208 V | Breaker | 17.3 | 26 | 30 | --- | --- | --- | --- | --- |
| HKSC08XC - 208 V | | 28.9 | 40 | 40 | --- | --- | --- | --- | --- |
| HKSC10XC - 208 V | | 34.7 | 47 | 50 | --- | --- | --- | --- | --- |
| HKSC15XA - 208 V | | 34.7 | 47 | 50 | 17.3 | 22 | 25 | 69 | 70 |
| HKSC19CA - 208 V | | 34.7 | 47 | 50 | 34.7 | 43 | 45 | 91 | 100 |
| HKSC15XF - 208 V ^ | | 0 | 4 | 15 | 30 | 38 | 40 | --- | --- |
| HKSC20XF - 208 V ^ | | 0 | 4 | 15 | 38 | 47 | 50 | --- | --- |
| HKSX03XC - 240 V | No Breaker | 12.5 | 20 | 20 | --- | --- | --- | --- | --- |
| HKSX05XC - 240 V | | 20 | 29 | 30 | --- | --- | --- | --- | --- |
| HKSX06XC - 240 V | | 25 | 35 | 40 | --- | --- | --- | --- | --- |
| HKSX08XC - 240 V | | 33.3 | 46 | 50 | --- | --- | --- | --- | --- |
| HKSX10XC - 240 V | | 40 | 54 | 60 | --- | --- | --- | --- | --- |
| HKSC05XC - 240 V | Breaker | 20 | 29 | 30 | --- | --- | --- | --- | --- |
| HKSC08XC - 240 V | | 33.3 | 46 | 50 | --- | --- | --- | --- | --- |
| HKSC10XC - 240 V | | 40 | 54 | 60 | --- | --- | --- | --- | --- |
| HKSC15XB - 240 V | | 40 | 54 | 60 | 20 | 25 | 25 | 79 | 80 |
| HKSC19CB - 240 V | | 40 | 54 | 60 | 40 | 50 | 50 | 104 | 110 |
| HKSC15XF - 240 V ^ | | 0 | 4 | 15 | 34.6 | 43 | 45 | --- | --- |
| HKSC20XF - 240 V ^ | | 0 | 4 | 15 | 43 | 54 | 60 | --- | --- |

See notes on page 12.

| HEATER KIT MODEL | | CIRCUIT 1 | | | CIRCUIT 2 | | | SINGLE-POINT KIT | |
|--------------------|------------|-----------|------------------|------------------|-----------|------------------|------------------|------------------|------------------|
| | | AMPS | MCA ¹ | MOP ² | AMPS | MCA ¹ | MOP ² | MCA ¹ | MOP ² |
| ARUF49D14AC | | 0/0 | 4/4 | 15/15 | --- | --- | --- | --- | --- |
| HKSX03XC - 208 V | No Breaker | 10.8 | 18 | 20 | --- | --- | --- | --- | --- |
| HKSX05XC - 208 V | | 17.3 | 26 | 30 | --- | --- | --- | --- | --- |
| HKSX06XC - 208 V | | 21.7 | 31 | 35 | --- | --- | --- | --- | --- |
| HKSX08XC - 208 V | | 28.9 | 40.5 | 45 | --- | --- | --- | --- | --- |
| HKSX10XC - 208 V | | 34.7 | 48 | 50 | --- | --- | --- | --- | --- |
| HKSC05XC - 208 V | Breaker | 17.3 | 26 | 30 | --- | --- | --- | --- | --- |
| HKSC08XC - 208 V | | 28.9 | 40.5 | 45 | --- | --- | --- | --- | --- |
| HKSC10XC - 208 V | | 34.7 | 48 | 50 | --- | --- | --- | --- | --- |
| HKSC15XA - 208 V | | 34.7 | 48 | 50 | 17.3 | 22 | 25 | 69 | 70 |
| HKSC20DA - 208 V | | 34.7 | 48 | 50 | 34.7 | 43 | 45 | 91 | 100 |
| HKSC15XF - 208 V ^ | | 0 | 4 | 15 | 30 | 38 | 40 | --- | --- |
| HKSC20XF - 208 V ^ | | 0 | 4 | 15 | 38 | 47 | 50 | --- | --- |
| HKSX03XC - 240 V | No Breaker | 12.5 | 20 | 20 | --- | --- | --- | --- | --- |
| HKSX05XC - 240 V | | 20 | 29 | 30 | --- | --- | --- | --- | --- |
| HKSX06XC - 240 V | | 25 | 36 | 40 | --- | --- | --- | --- | --- |
| HKSX08XC - 240 V | | 33.3 | 46 | 50 | --- | --- | --- | --- | --- |
| HKSX10XC - 240 V | | 40 | 54 | 60 | --- | --- | --- | --- | --- |
| HKSC05XC - 240 V | Breaker | 20 | 29 | 30 | --- | --- | --- | --- | --- |
| HKSC08XC - 240 V | | 33.3 | 46 | 50 | --- | --- | --- | --- | --- |
| HKSC10XC - 240 V | | 40 | 54 | 60 | --- | --- | --- | --- | --- |
| HKSC15XB - 240 V | | 40 | 54 | 60 | 20 | 25 | 25 | 79 | 80 |
| HKSC20DB - 240 V | | 40 | 54 | 60 | 40 | 50 | 50 | 104 | 110 |
| HKSC15XF - 240 V ^ | | 0 | 4 | 15 | 34.6 | 43 | 45 | --- | --- |
| HKSC20XF - 240 V ^ | | 0 | 4 | 15 | 43 | 54 | 60 | --- | --- |
| ARUF61D14AC | | 0/0 | 6/6 | 15/15 | --- | --- | --- | --- | --- |
| HKSX03XC - 208 V | No Breaker | 10.8 | 19 | 20 | --- | --- | --- | --- | --- |
| HKSX05XC - 208 V | | 17.3 | 27 | 30 | --- | --- | --- | --- | --- |
| HKSX06XC - 208 V | | 21.7 | 33 | 35 | --- | --- | --- | --- | --- |
| HKSX08XC - 208 V | | 28.9 | 42 | 45 | --- | --- | --- | --- | --- |
| HKSX10XC - 208 V | | 34.7 | 49 | 50 | --- | --- | --- | --- | --- |
| HKSC05XC - 208 V | Breaker | 17.3 | 27 | 30 | --- | --- | --- | --- | --- |
| HKSC08XC - 208 V | | 28.9 | 42 | 45 | --- | --- | --- | --- | --- |
| HKSC10XC - 208 V | | 34.7 | 49 | 50 | --- | --- | --- | --- | --- |
| HKSC15XA - 208 V | | 34.7 | 49 | 50 | 17.3 | 22 | 25 | 71 | 80 |
| HKSC20DA - 208 V | | 34.7 | 49 | 50 | 34.7 | 43 | 45 | 92 | 100 |
| HKSC15XF - 208 V ^ | | 0 | 6 | 15 | 30 | 38 | 40 | --- | --- |
| HKSC20XF - 208 V ^ | | 0 | 6 | 15 | 38 | 47 | 50 | --- | --- |
| HKSC25DA - 208 V | | 52 | 71 | 80 | 35 | 43 | 45 | 114 | 125 |

See notes on page 12.

HEAT KIT DATA (CONT.)

| HEATER KIT MODEL | | CIRCUIT 1 | | | CIRCUIT 2 | | | SINGLE-POINT KIT | |
|-------------------------------|------------|-----------|------------------|------------------|-----------|------------------|------------------|------------------|------------------|
| | | AMPS | MCA ¹ | MOP ² | AMPS | MCA ¹ | MOP ² | MCA ¹ | MOP ² |
| HKXS03XC - 240 V | No Breaker | 12.5 | 21 | 25 | --- | --- | --- | --- | --- |
| HKXS05XC - 240 V | | 20 | 31 | 35 | --- | --- | --- | --- | --- |
| HKXS06XC - 240 V | | 25 | 37 | 40 | --- | --- | --- | --- | --- |
| HKXS08XC - 240 V | | 33.3 | 47 | 50 | --- | --- | --- | --- | --- |
| HKXS10XC - 240 V | | 40 | 56 | 60 | --- | --- | --- | --- | --- |
| HKSC05XC - 240 V | Breaker | 20 | 31 | 35 | --- | --- | --- | --- | --- |
| HKSC08XC - 240 V | | 33.3 | 47 | 50 | --- | --- | --- | --- | --- |
| HKSC10XC - 240 V | | 40 | 56 | 60 | --- | --- | --- | --- | --- |
| HKSC15XB - 240 V | | 40 | 56 | 60 | 20 | 25 | 25 | 81 | 90 |
| HKSC20DB - 240 V | | 40 | 56 | 60 | 40 | 50 | 50 | 106 | 110 |
| HKSC15XF - 240 V [^] | | 0 | 6 | 15 | 34.6 | 43 | 45 | --- | --- |
| HKSC20XF - 240 V [^] | | 0 | 6 | 15 | 43 | 54 | 60 | --- | --- |
| HKSC25DB - 240 V | | 60 | 81 | 90 | 40 | 50 | 50 | 131 | 150 |

¹ Minimum Circuit Ampacity (Heater Amps + Motor Amps) X 1.25

² Maximum Overcurrent Protection = 2.25 X Motor Amps + Heater Amps

--- indicates Not Required

Note : The 208 or 240 in the heat kit part number field is for clarification of the nominal voltage for this model.

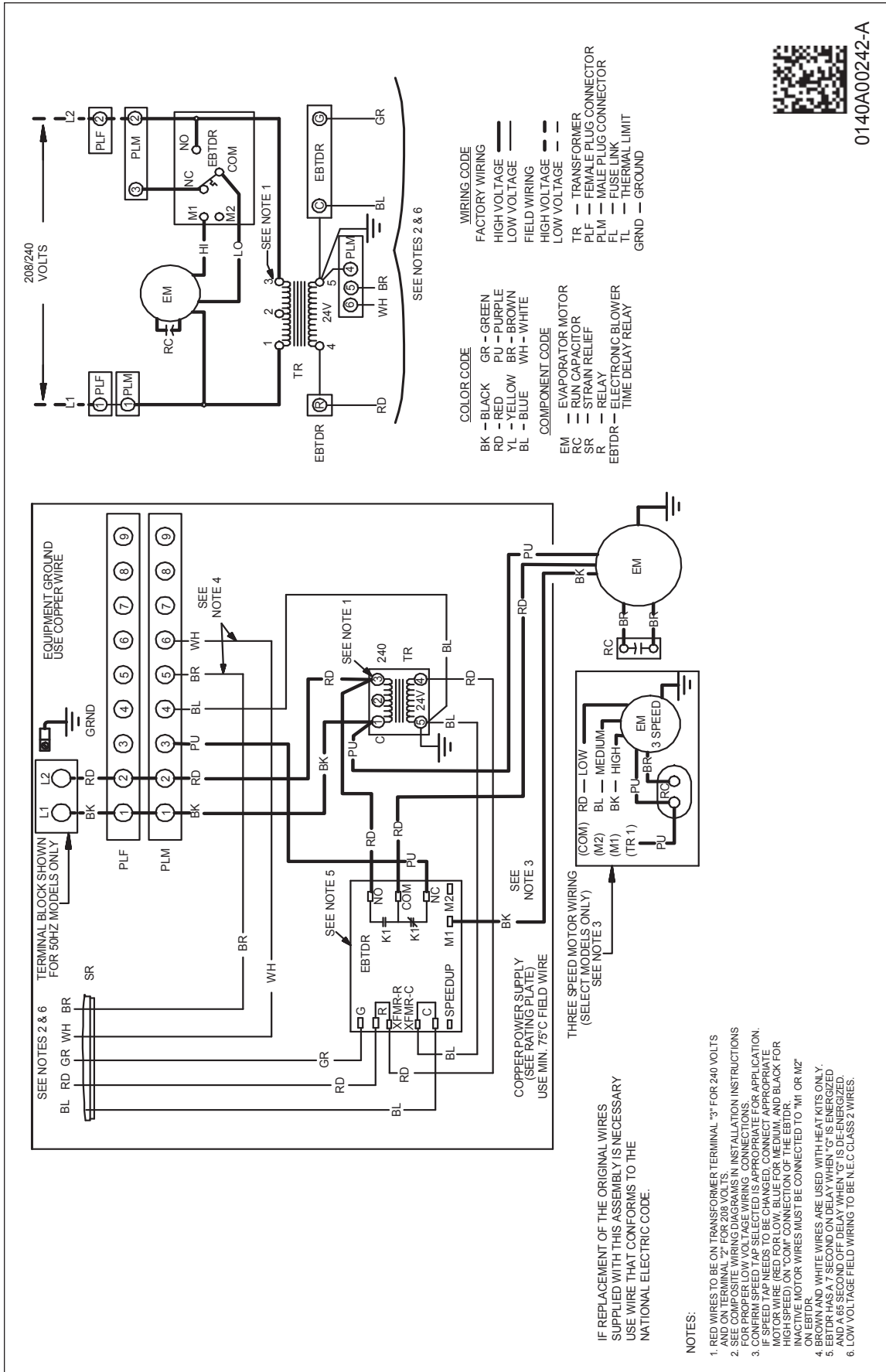
[^] Three Phase

³ Notation is correct as XB because technically the 240V heater kit application can be used here without any issues.

HEATING kW CORRECTION FACTOR

| SUPPLY VOLTAGE | 240 | 230 | 220 | 210 | 208 |
|-------------------|------|------|------|------|------|
| CORRECTION FACTOR | 1.00 | 0.92 | 0.84 | 0.77 | 0.75 |

Multiply the 240-volt heating capacity by correction factors.

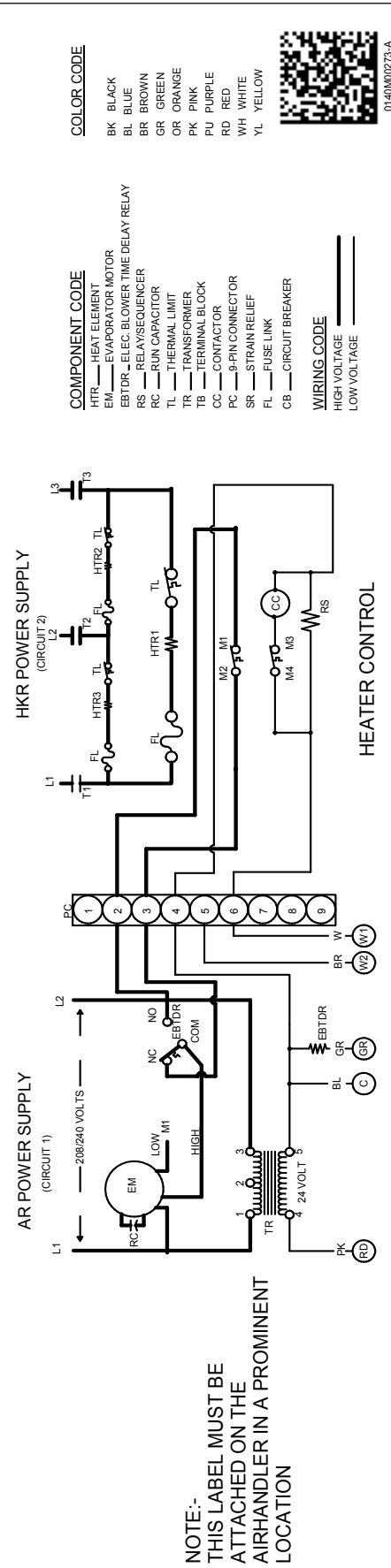
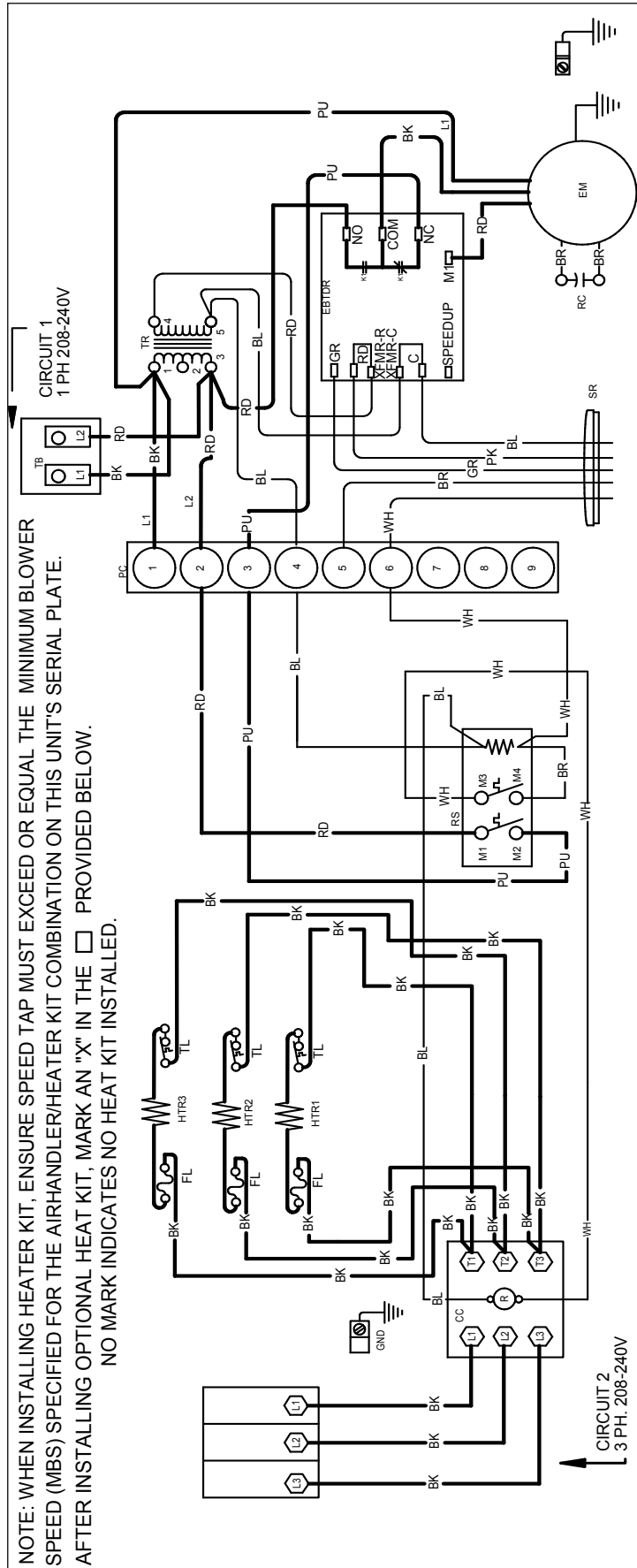


IF REPLACEMENT OF THE ORIGINAL WIRES SUPPLIED WITH THIS ASSEMBLY IS NECESSARY USE WIRE THAT CONFORMS TO THE NATIONAL ELECTRIC CODE.

- NOTES:**
1. RED WIRES TO BE ON TRANSFORMER TERMINAL "3" FOR 240 VOLTS AND ON TERMINAL "2" FOR 208 VOLTS. SEE INSTALLATION INSTRUCTIONS FOR PROPER LOW VOLTAGE WIRING CONNECTIONS.
 2. CONFIRM SPEED TAP SELECTED IS APPROPRIATE FOR APPLICATION. IF SPEED TAP NEEDS TO BE CHANGED, CONNECT APPROPRIATE MOTOR WIRE (RED FOR LOW, BLUE FOR MEDIUM, AND BLACK FOR HIGH SPEED) ON "COM" CONNECTION OF THE EBTD.
 3. INACTIVE MOTOR WIRES MUST BE CONNECTED TO "M" OR "M2".
 4. BROWN AND WHITE WIRES ARE USED WITH HEAT KITS ONLY.
 5. EBTD HAS A 7 SECOND ON DELAY WHEN "G" IS ENERGIZED AND A 6.5 SECOND OFF DELAY WHEN "G" IS DE-ENERGIZED.
 6. LOW VOLTAGE FIELD WIRING TO BE N.E.C CLASS 2 WIRES.

WARNING

High Voltage: Disconnect all power before servicing or installing this unit. Multiple power sources may be present. Failure to do so may cause property damage, personal injury, or death.



WARNING

High Voltage: Disconnect all power before servicing or installing this unit. Multiple power sources may be present. Failure to do so may cause property damage, personal injury, or death.

Wiring is subject to change. Always refer to the wiring diagram on the unit for the most up-to-date wiring.

EXPANSION VALVE KITS FOR AIR CONDITIONING AND HEAT PUMP APPLICATIONS

| KIT NUMBER | DESCRIPTION | APPLICATION | REFRIGERANT | TONNAGE: OUTDOOR UNIT |
|-------------------|--------------------|--------------------|--------------------|----------------------------------|
| TX2N4A | Non-bleed Valve | AC or HP | R-410A | 1½ - 2 Ton |
| TX3N4 | Non-bleed Valve | AC or HP | R-410A | 2½ - 3 Ton |
| TX5N4 | Non-bleed Valve | AC or HP | R-410A | 3½ - 5 Ton |

DOWNFLOW INSULATION KIT

| DFK-B | DFK-C | DFK-D |
|--------------|--------------|--------------|
| ARUF25B14** | ARUF37C14** | ARUF37D14** |
| ARUF29B14** | ARUF43C14** | ARUF43D14** |
| ARUF31B14** | ARUF49C14** | ARUF47D14** |
| | | ARUF49D14** |
| | | ARUF61D14** |

FILTERS

| CHASSIS | PART # | SIZE |
|----------------|---------------|---------------|
| B | ALFH16201E | 16.0" x 20.0" |
| C | ALFH1912201E | 19.5" x 20.0" |
| D | ALFH20231E | 23.0" x 20.0" |

