

PURCHASER	P.O. #	DATE
PROJECT	LOCATION	
ENGINEER	ARCHITECT	
SUBMITTED BY	FOR APPROVAL	FOR REFERENCE

ITEM	PLAN DESIGNATION	QUANTITY	COOLING BTU/H	VOLTAGE	FRIEDRICH MODEL

Comfort & Convenience

- Convenient control from your smartphone or computer via FriedrichConnect™ app
- Control by voice command, compatible with Amazon Alexa and Google Home
- 24-hour timer
- Up to 4 cooling and 4 fan-only speeds on select models†
- Automatic fan speed adjustment
- Auto-changeover from cool to heat; heat to cool to maintain set temperature (Kühl+ models except KEQ08)
- 8-way air flow control
- Temperature readout can display set temperature and room temperature
- LCD panel auto dims if not in use
- LCD settings lockout option (ON/OFF)
- Premium remote control allows user to activate schedule, adjust temperature, adjust fan speed or select auto-fan; can also switch from cool to heat and heat to cool (Kühl + models)

Quietmaster® technology

- Steel inner wall and extra dense insulation materials block outdoor noise
- Vibration isolating design and components diminish traditional operating sound levels
- Precision engineering maximizes air flow while delivering ultra quiet operation

Energy Management & Compliance

- Control temperature settings via FriedrichConnect™ app
- Advanced grouping of multiple units
- Autofan mode saves money by conserving energy
- ENERGY STAR® qualified models, including heat pumps
- Environmentally-friendly R-410A refrigerant used in all models
- Recyclable packaging

Safety & Security

- EntryGard™ anti-intrusion protection - secures chassis to the sleeve with a steel retaining wire to deter 'kick-in' intrusion
- Power cord current leakage protected
- Aluminum outside grille
- Insect barrier*

Maintenance & Installation

- Check filter reminder and error code storage
- Same sleeve dimensions for 30+ years for easy replacement
- Slideout chassis for more permanent installation and easier access for maintenance
- Installs in a window or in-wall
- Includes heavy-duty window installation hardware (optional accessory on Kühl+ models)
- Rugged hardboard side panels or (heavy duty side curtains on SQ and EQ models) for a more permanent installation
- Power cord can run left or right
- Defrost control protects coil against freeze up
- Firm grip handles for easier chassis installation and removal

Health & IAQ

- Superior fresh air intake and stale air exhaust vent*
- Washable, antimicrobial air filter
- Premium carbon filter provides superior air filtration with ratings as high as MERV 6, while also adsorbing odors, and reducing ozone and VOCs when used in conjunction with standard filter
- Hinged door for easy filter access



* Feature not available on KCQ and KEQ models.

**Nut driver not required for Kühl KCQ and KEQ models.

PRELIMINARY SPECIFICATIONS

★ Indicates ENERGY STAR® models

Model	UPC	Cooling Btu	Heating Btu	Volts	Cooling Amps	Cooling Watts	Heating Amps	Heating Watts	EER	CEER	Estimated Yearly Energy Cost	COP	Moisture Removal-Pints/HR	CFM	Net/ship Wt. lbs.	Sleeve
Kühl® (Cool Only)																
★ KCQ06A10A	724587436570	5800	—	115	4.1	472	—	—	12.3	12.1	\$43	—	1.5	190	72/85	Q
★ KCQ08A10A	724587436587	8000	—	115	6.1	656	—	—	12.2	12.0	\$59	—	1.9	200	72/85	
★ KCQ10A10A	724587436594	10000	—	115	8.9	882	—	—	11.1	10.9	\$79	—	3.2	250	72/85	
★ KCS08A10A	724587436631	8000	—	115	5.8	656	—	—	12.2	12.0	\$59	—	1.9	255	106/128	S
★ KCS10A10A	724587432640	10000	—	115	7.2	820	—	—	12.2	12.0	\$74	—	2.5	300	112/134	
★ KCS12A10A	724587432688	11900	—	115	8.7	975	—	—	12.2	12.0	\$88	—	3.9	300	112/134	
★ KCS12A30A	724587432695	12000	—	230	4.5	984	—	—	12.2	12.0	\$89	—	3.6	300	116/138	
★ KCS14A10A	724587432701	13600	—	115	10.4	1214	—	—	11.2	10.9	\$109	—	4.3	275	141/154	
★ KCS16A30A	724587436678	15500	—	230	6.5	1435	—	—	10.8	10.7	\$129	—	5.0	330	141/154	
★ KCM14A10A	724587432435	13700	—	115	9.9	1123	—	—	12.2	12.0	\$101	—	3.0	360	138/150	M
★ KCM18A30A	724587436617	20000	—	230	9.3	2092	—	—	10.3	10.3	\$184	—	6.0	425	132/153	
★ KCM21A30A	724587436624	20500	—	230	9.3	2092	—	—	10.3	10.3	\$188	—	6.0	425	132/153	
★ KCL24A30A	724587436549	24000	—	230	10.2	2308	—	—	10.4	10.3	\$208	—	7.0	640	191/212	L
★ KCL28A30A	724587432657	28000	—	230	13.1	2800	—	—	10.0	9.9	\$252	—	8.5	640	193/214	
★ KCL36A30A	724587436556	36000	—	230	17.5	4000	—	—	9.0	9.0	\$360	—	12.0	725	212/248	
Kühl® + (Heat Pump)																
★ KHS10A10A*	724587432541	10000	8800	115	7.9	917	9.0	978	10.9	10.8	\$83	2.6	2.0	300	109/131	S
★ KHS12A33A	724587436525	12000	11300	230	4.9	1101	5.6	1257	10.9	10.8	\$99	2.6/2.7	3.0	375	115/136	
★ KHM18A34A	724587436532	17500	15200	230	7.1	1606	7.3	1665	10.99	10.8	\$149	2.7/2.7	5.4	370	141/154	M
★ KHL24A35A	724587432633	24000	22000	230	10.10	2330	10.7	2391	10.3	10.2	\$210	2.6/2.6	7.0	600	197/211	L
Kühl® + (Electric Heat)																
KEQ08A11A	724587432749	8000	4000	115	6.1	656	11.2	1290	12.2	12.0	\$61	—	1.9	200	72/85	Q
KES12A33A	724587430004	12000	10700	230	4.9	1062	16.0	3500	11.3	11.2	\$96	—	3.4	325	113/128	S
KES16A33A	724587436678	15500	10700	230	6.5	1435	16.0	3500	10.8	10.7	\$129	—	3.4	300	138/150	
KEM18A34A	72458743249	20000	13000	230	9.3	2041	19.5	5500	10.4	10.3	\$225	—	7.0	750	141/154	M
KEL24A35A	724587431612	24000	17300	230	10.9	2308	24.0	5500	9.4	9.4	\$225	—	6.0	425	197/211	L
KEL36A35A	724587436563	36000	17300	230	17.5	4000	24.0	5500	9.0	9.0	\$360	—	12.0	725	213/246	

* KHS10A10A heat pump operates on 115 volt and is not equipped with supplemental heat. Will not provide heat at temperatures below 40°F.

Friedrich room air conditioners are designed to operate in outdoor temperatures from 60°F to 115°F.

Kühl+ Heat Pump heating information indicates heat pump performance. Kühl+ Electric Heat heating information indicates electric heat strip performance.

For Kühl+ Heat Pump electric heating performance refer to corresponding Kühl+ Electric Heat model.

As an ENERGY STAR® partner, Friedrich Air Conditioning Co. has determined that the selected ENERGY STAR® models meet the ENERGY STAR® guidelines for energy efficiency. EER is the unit's Energy Efficiency Ratio; CEER is the unit's Combined Energy Efficiency Ratio.

Your energy costs will depend on your utility rates and use. The estimated energy cost is based on an electricity cost of \$.12 per kWh.

For more information, visit www.ftc.gov/energy.

Due to continuing research in new energy-saving technology, specifications are subject to change without notice.



INSTALLATION





Sleeve	Height Inches	Width Inches	Depth with Front Inches	Shell Depth to Louvers Inches	Minimum Extension Into Room*	Minimum Extension Outside * Inches	Window Width INCHES		In-wall Installation Finished Hole Inches			Carton Dimensions Inches		
			A	B	Inches	Inches	Minimum**	Maximum	Height	Width	Max. Depth C	Height	Width	Depth
Q	14 1/4"	19 3/4"	21 3/8"	8 1/2"	5 1/2"	10 3/4"	22"	42"	14 1/2"	20"	8 1/2"	18 3/4"	22"	25 1/2"
S	15 15/16"	25 15/16"	29"	8 3/4"	5 3/4"	16 15/16"	27 3/8"	42"	16 3/16"	26 3/16"	7 3/8"	19"	29"	34 1/2"
M	17 15/16"	25 15/16"	29"	8 3/4"	5 3/4"	16 15/16"	27 3/8"	42"	18 3/16"	26 3/16"	7 3/8"	21"	29"	34 1/2"
L	20 3/16"	28"	35 1/2"	16 1/2"	5 3/8"	18 15/16"	29 7/8"	42"	20 3/8"	28 1/4"	15 1/8"	24 1/2"	31 5/8"	38 7/8"

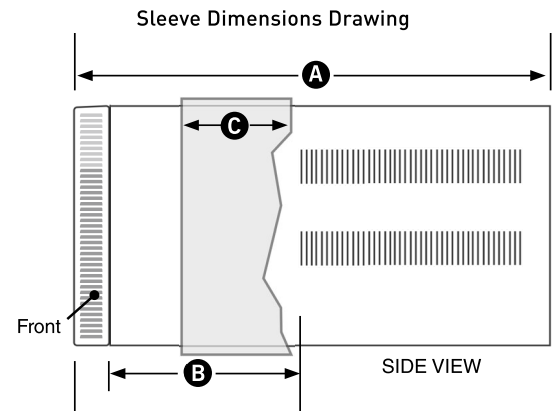
* Minimum extensions when mounted in a window.

** Minimum widths achieved using one side curtain assembly as opposed to both in a standard installation.

NOTE: S,M and L sleeves may be installed in window with no side kits if properly installed.

CIRCUIT RATING/BREAKER/POWER CORD

Model	Circuit Rating Breaker or T-D Fuse	Plug Face (NEMA#)	Power Cord Length (ft.)	Wall Outlet Appearance
All KCQ MODELS. KEQ08A11A. KCS08A10A, KCS10A10A, KCS12A10A and KCS14A10A. KHS10A10A. KCM14A10A.	125V - 15A	5 - 15P	6	
KCS12A30A and KCS16A30A. KCM18A30A and KCM21A30A.	250V - 15A	6 - 15P	6	
KCL24A30A and KCL28A30A. KES12A33A and KES16A33A. KHS12A33A.	250V - 20A	6 - 20P	6	
KCL36A30A. KEM18A34A and KEL24A35A and KEL36A35A. KHM18A34A and KHL24A35A.	250V - 30A	6 - 30P	6	



Window Mounting Kits: Kühl+

Window kits are included with cooling only models, but are an accessory item for Kühl+ heat/cool models. Window kits are required for installation of Kühl+ models in a window.

Heat/Cool Models	Kit No.
KEQ08A11A*	KWIKQA
KES12A33A, KES16A33A, KHS10A10A and KHS12A33A.	KWIKSB
KEM18A34A and KHM18A34A.	KWIKMB
KEL24A35A, KEL36A35A and KHL24A35A.	KWIKLB

* KEQ08A11A window kit KWIKQA does not include window brackets.



KWIKQA



KWIKSB, KWIKMB, KWIKLB