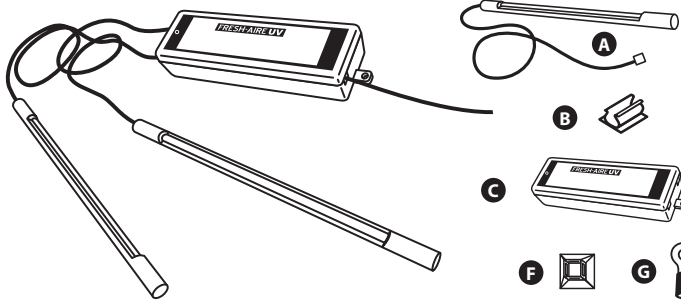


FRESH-AIRE MINI UV™

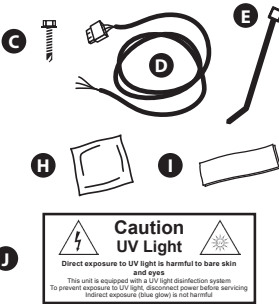
Germicidal UV Light Installation Instructions

Fresh-Aire Mini UV improves indoor air quality and fights biological contamination inside the air handling system. It extends the life of the air system and reduces maintenance costs.



Parts Included

- A** UV Lamps
- B** Lamp Clips
- C** Power Supply
- C** Self-tapping Screws
- D** Power Harness
- E** Zip Ties
- F** Zip Tie Base
- G** Ring Connectors
- H** Alcohol Wipe
- I** Adhesive Tape
- J** UV Warning Sticker



IMPORTANT!

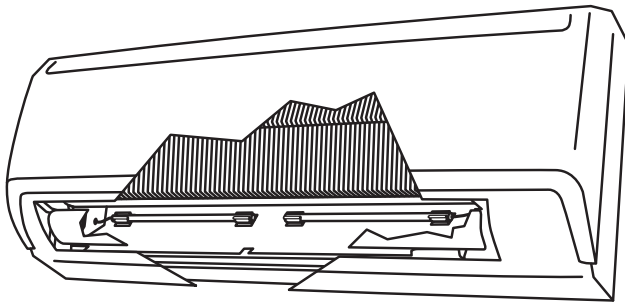
- Only qualified technicians should install this product
- Install in accordance with relevant building codes
- Read instructions carefully including safety warnings

© 2012 Fresh-Aire UV

TUV-MINI-MAN 04.30.12

Installation Notes

Mini UV is typically used for mini split systems and other limited space applications. Because space is tight the best place for mounting the UV lights is usually inside the supply vent with the light shining onto the blower wheel (which is prone to the worst mold growth).



Cutaway view of typical Mini UV® installation in mini split



WARNING
PROTECT EYES FROM UV LIGHT
TURN OFF UNIT OR DISCONNECT
BEFORE SERVICING

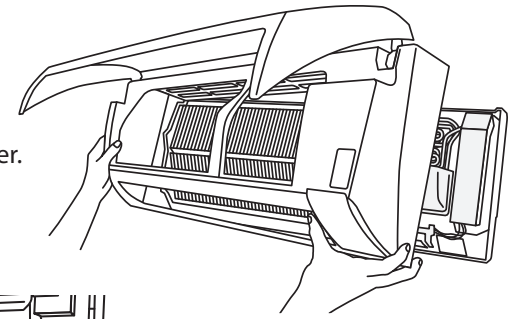


IMPORTANT!

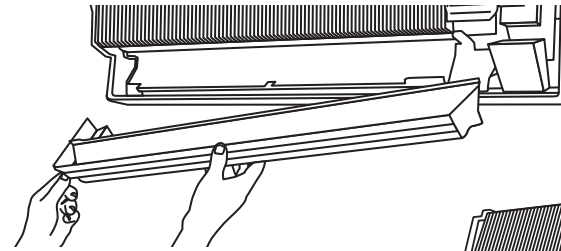
Orient the UV lamps so that the light shines into the air system, not into the room

Air System Preparation

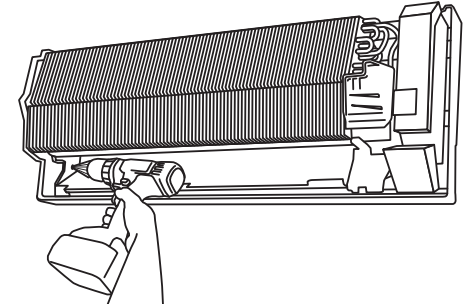
1. Remove cover.



2. Detach drain pan to access the area behind it.

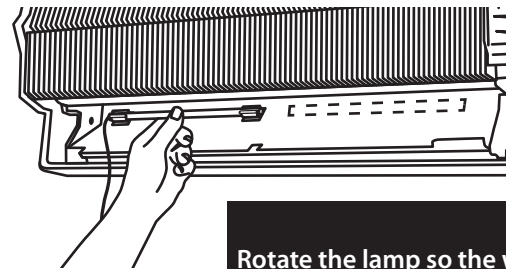
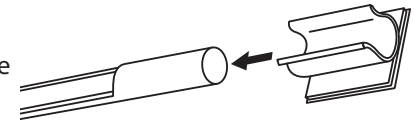


3. Drill holes to pass lamp cables through to back of unit as needed.



UV Lamp Mounting

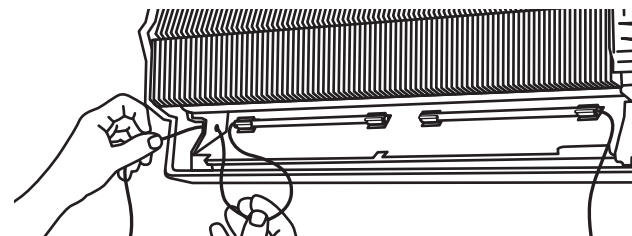
1. Determine the best location for the UV lamp clips and clean that area with the alcohol wipe. Slide the mounting brackets onto the ends of the UV lamps.



2. Peel off paper from the adhesive backing on the mounting brackets. Press the lamp with lamp clips firmly in place about 2" from blower wheel.

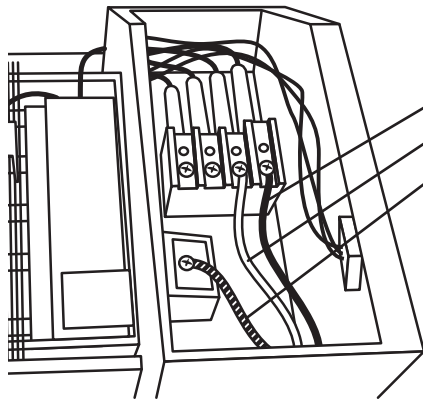
IMPORTANT!

Rotate the lamp so the warning sticker is visible and the UV light shines on blower wheel and mold prone areas, **NOT INTO THE ROOM.**



3. Pass the UV lamp cables through to the back of the AC system.

Power Supply Installation



1. Remove the control box cover and connect the wiring harness as shown.

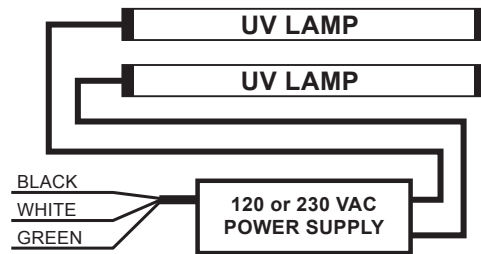
For 120 VAC wiring

- Black to hot terminal
- White to neutral
- Green to ground

For 208 - 230 VAC wiring

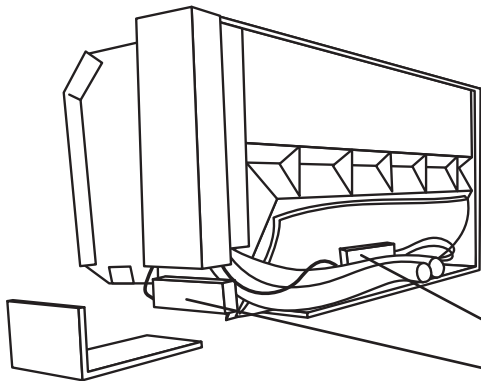
- Black to line 1
- White to line 2
- Green to ground

2. Wiring Diagram



Note: Some indoor systems may require additional wiring to provide line voltage to the Mini UV™ power supply.

3. Insert the UV lamp cable connectors and wiring harness connector into the power supply.



4. Tuck the power supply into the line chase on the back of the ac unit or place it in or under the control box or other secure location.

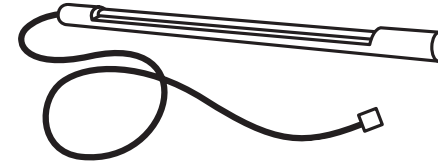
5. Return power to the system and confirm that Mini UV is working.

6. Apply the UV warning sticker in an appropriate location.

Note: It can take up to 10 minutes for the UV lamp to warm up and fully illuminate.

Lamp Replacement

The germicidal UV lamp in Fresh-Aire Mini UV® needs to be replaced yearly. Germicidal effectiveness falls off over time so UV lamp replacement is necessary even if the lamps continue to emit visible light after one year.



Replace lamp only with part #TUVL-MINI

Note: Use of replacement UV lamps other than Fresh-Aire UV® voids warranty.

Caution: UV lamps contain small amounts of mercury - dispose of lamps in accordance with local environmental regulations. For more information visit www.lamprecycle.org

Limited Warranty:

This warranty supersedes and replaces any warranty statements orally made by the Sales Person, Distributor or Dealer or contained in the written instructions or other Brochures or informational documents in relation to this product. This warranty gives you specific legal rights, and you may also have other rights which vary from State to State.

Manufacturer warrants the Mini UV to be free from defects in material and workmanship under the normal use and service when operated and maintained in strict accordance with manufacturer's instructions for one (1) year from the date of purchase of equipment, including the Ultraviolet Lamp (Part# TUVL-MINI), which is warranted for UV germicidal output for one (1) year. The UV lamp warranty does not cover cracked or broken lamps due to mishandling or improper application.

Manufacturer's obligation under this warranty is being limited to repairing or replacing any part found to its satisfaction to be so defective. This warranty does not cover parts damaged resulting from misuse, abuse, or any other than its intended use, accident, neglect, or from improper operation, maintenance, installation, modification or adjustments. Triatomic Environmental, Inc. shall have no responsibility for charges incurred by the customer for installation or removal of warranted items.

This warranty does not cover parts or equipment used with the Mini UV that are not made by the Manufacturer, since these items are covered by warranties of the respective manufacturer. This warranty shall be void if UV lamps from manufacturer's other than Triatomic Environmental, Inc. are used with this equipment.

Manufacturer assumes no liability for any harm, which may occur as a result of the use of the equipment herein and shall not be liable for consequential or any other damages whether or not caused by manufacturer's negligence or resulting from any express or implied warranty or breach thereof. Consequential damages for the purpose of this warranty shall include, but not be limited to, loss of use, income or profit, or loss of or damages to property or injury or death to persons or animals occasioned by or arising out of operation, use, the operation, installation, repair or replacement of the equipment or otherwise.

THERE ARE NO WARRANTIES WHICH EXTEND BEYOND THE DESCRIPTION ON THE FACE HEREOF