

4HP15

PRODUCT SPECIFICATIONS

15 SEER SPLIT SYSTEM HEAT PUMP

FORM NO. 4HP15-100 (12/2017)



FEATURES AND BENEFITS

- R410A Refrigerant
- High-quality condenser coil with copper tubing and enhanced louvered fin for maximum heat transfer capacity
- Top discharge directs hot air and sound away from living area and shrubbery
- All units run tested
- Louvered panel coil protection
- Easy access to electrical panels, pre-wired for easy hook-up
- Bi-directional liquid line filter drier factory installed
- Discharge muffler for quiet operation
- Reliable, solid state defrost control
- Defrost control is Quiet Shift™ capable
- Low pressure switch factory installed for loss of charge protection
- Integrated control with LED diagnostics
- Short cycle protection factory installed
- All units ETL and ETLC approved and AHRI Certified
- Charged for 15 feet of interconnecting tubing

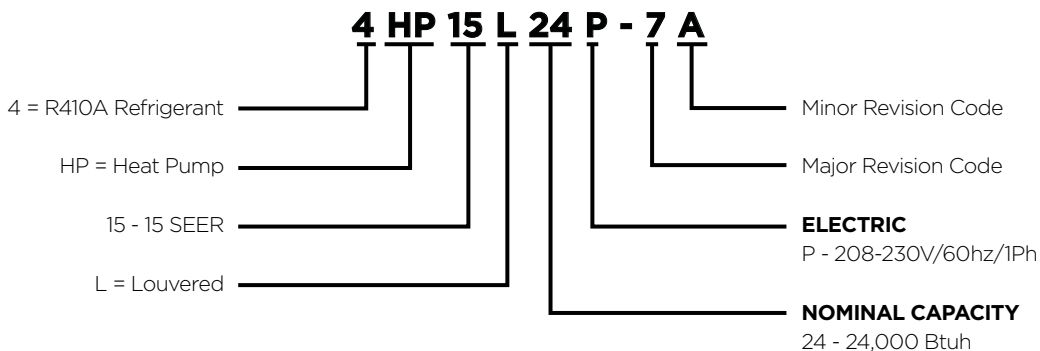
WARRANTY

10 year limited warranty on compressor, 10 year limited warranty on all parts, extended warranty available*

**Warranty provides for a total of 10 years of limited warranty coverage (Standard 5-year limited parts warranty plus an additional 5-year limited extended parts warranty). Warranty must be registered online within 60 days of installation to qualify for 10-year coverage. Unregistered equipment defaults to 5-year coverage. Lifetime limited heat exchanger warranty applies to registered equipment only (Standard 20 years with no online registration). See full warranty at www.alliedair.com for terms, conditions and exclusions.*



MODEL NUMBER GUIDE



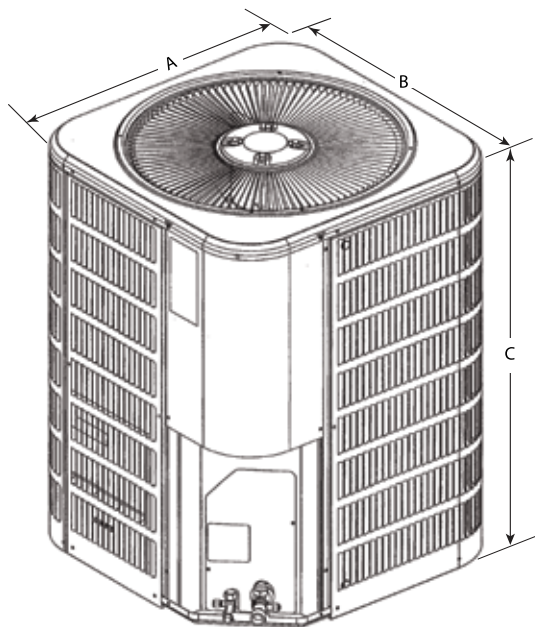
PHYSICAL AND ELECTRICAL DATA

| Model | Voltage/ Hz/ Phase | Voltage Range | Min. Circuit Amp. | Max. Over Current Device (amps) | Compressor | | Outdoor Fan Motor | | | Refrig. Charge+ (oz.) | Sound Rating (dBA) |
|-----------|--------------------|---------------|-------------------|---------------------------------|-------------------|---------------------|-------------------|----------|----------|-----------------------|--------------------|
| | | | | | Rated Load (amps) | Locked Rotor (amps) | Rated Load (amps) | Rated HP | Nom. RPM | | |
| 4HP15L18P | 208-230/60/1 | 197-253 | 12.2 | 20 | 9.0 | 48 | 1.0 | 1/6 | 825 | 93 | 74 |
| 4HP15L24P | 208-230/60/1 | 197-253 | 17.9 | 30 | 13.5 | 58 | 1.1 | 1/6 | 825 | 94 | 76 |
| 4HP15L30P | 208-230/60/1 | 197-253 | 17.1 | 25 | 12.8 | 64 | 1.1 | 1/6 | 825 | 90 | 76 |
| 4HP15L36P | 208-230/60/1 | 197-253 | 18.7 | 30 | 14.1 | 77 | 1.1 | 1/6 | 825 | 150 | 76 |
| 4HP15L42P | 208-230/60/1 | 197-253 | 24.2 | 40 | 18.0 | 112 | 1.8 | 1/3 | 825 | 184 | 79 |
| 4HP15L48P | 208-230/60/1 | 197-253 | 29 | 50 | 21.8 | 117 | 1.8 | 1/3 | 825 | 161 | 80 |
| 4HP15L60P | 208-230/60/1 | 197-253 | 29.4 | 50 | 22.1 | 125 | 1.8 | 1/3 | 825 | 197 | 80 |

Note:
Weights listed are unit weights with packaging
+ Factory charged for 15 feet of line set. Adjust per installation instructions.

UNIT DIMENSIONS & WEIGHT

| Model | Dimensions (inch) | | | Shipping Weight (lbs.) |
|-----------|-------------------|-----------|------------|------------------------|
| | A - Width | B - Depth | C - Height | |
| 4HP15L18P | 28.25 | 28.25 | 37 | 175 |
| 4HP15L24P | 28.25 | 28.25 | 37 | 177 |
| 4HP15L30P | 28.25 | 28.25 | 37 | 178 |
| 4HP15L36P | 28.25 | 28.25 | 33 | 202 |
| 4HP15L42P | 32.25 | 32.25 | 37 | 272 |
| 4HP15L48P | 32.25 | 32.25 | 37 | 273 |
| 4HP15L60P | 32.25 | 32.25 | 43 | 297 |



Note:
Dimensions listed are unit sizes w/o packaging

COOLING PERFORMANCE WITH EVAPORATOR COILS

| Outdoor Model | Indoor Model | Cooling | | | | | Heating | | | | CFM | Refrigerant Connection | | | | Refrigerant Line Size | | Indoor Expansion Device | |
|---------------|---|------------|------|-------|--------------------------|------------------------|---------|-----|-------|-----|------|------------------------|--------|---------|--------|-----------------------|--------|-------------------------|---------|
| | | Evap. Coil | SEER | EER | AHRI Rated Capacity BTUH | Sensible Capacity BTUH | HSPF | 47° | | 17° | | Outdoor | | Indoor | | Suction | Liquid | Piston | TXV |
| | BTUH | | | | | | | COP | BTUH | COP | | Suction | Liquid | Suction | Liquid | | | | |
| | | | | | | | | | | | | | | | | | | | |
| 4HP15L18P-1 | E*1P23(A,B)+H4TXV02+45 SEC BLOWER DELAY | 14 | 12 | 18000 | 13200 | 8.2 | 17000 | 3.5 | 10000 | 2.3 | 650 | 3/4 | 3/8 | 3/4 | 3/8 | 3/4 | 3/8 | | H4TXV01 |
| | EC4X23(A,B)+45 SEC BLOWER DELAY | 14 | 12 | 18000 | 13200 | 8.2 | 17000 | 3.5 | 10000 | 2.3 | 650 | 3/4 | 3/8 | 3/4 | 3/8 | 3/4 | 3/8 | | INC |
| 4HP15L24P-1 | E*1P24(A,B)+H4TXV01+TDR | 14 | 11.5 | 23400 | 17000 | 8.2 | 22000 | 3.4 | 14000 | 2.3 | 850 | 3/4 | 3/8 | 3/4 | 3/8 | 3/4 | 3/8 | | H4TXV01 |
| | E*1P29(A,B)+H4TXV01+TDR | 14 | 11.5 | 23400 | 17000 | 8.2 | 22000 | 3.4 | 14000 | 2.3 | 850 | 3/4 | 3/8 | 3/4 | 3/8 | 3/4 | 3/8 | | H4TXV01 |
| | EC4X24A,B+TDR | 14 | 11.5 | 23400 | 17000 | 8.2 | 22000 | 3.4 | 14000 | 2.3 | 850 | 3/4 | 3/8 | 3/4 | 3/8 | 3/4 | 3/8 | | INC |
| | EC4X29A,B+TDR | 14 | 11.5 | 23400 | 17000 | 8.2 | 22000 | 3.4 | 14000 | 2.3 | 850 | 3/4 | 3/8 | 3/4 | 3/8 | 3/4 | 3/8 | | INC |
| 4HP15L30P-1 | E*1P43(B,C)+H4TXV02+TDR | 14 | 11.5 | 28000 | 20300 | 8.2 | 25000 | 3.5 | 15000 | 2.5 | 1050 | 3/4 | 3/8 | 3/4 | 3/8 | 3/4 | 3/8 | | H4TXV01 |
| | EC4X43B+TDR | 14 | 11.5 | 28000 | 20300 | 8.2 | 25000 | 3.5 | 15000 | 2.5 | 1050 | 3/4 | 3/8 | 3/4 | 3/8 | 3/4 | 3/8 | | INC |
| 4HP15L36P-1 | E*1P43B+H4TXV02 | 14 | 12 | 34000 | 25100 | 8.2 | 33800 | 3.5 | 21800 | 2.5 | 1200 | 7/8 | 3/8 | 3/4 | 3/8 | 7/8 | 3/8 | | H4TXV02 |
| | E*1P49C+H4TXV02 | 14 | 12 | 34000 | 25100 | 8.2 | 33800 | 3.5 | 21800 | 2.5 | 1200 | 7/8 | 3/8 | 3/4 | 3/8 | 7/8 | 3/8 | | H4TXV02 |
| | EC4X43B+TDR | 14 | 12 | 34000 | 25100 | 8.2 | 33800 | 3.5 | 21800 | 2.5 | 1200 | 7/8 | 3/8 | 3/4 | 3/8 | 7/8 | 3/8 | | INC |
| | EC4X49C+TDR | 14 | 12 | 34000 | 25100 | 8.2 | 33800 | 3.5 | 21800 | 2.5 | 1200 | 7/8 | 3/8 | 3/4 | 3/8 | 7/8 | 3/8 | | INC |
| 4HP15L42P-1 | E*1P49C+H4TXV02+TDR | 14 | 12 | 41000 | 30200 | 8.2 | 40000 | 3.5 | 27800 | 2.4 | 1400 | 7/8 | 3/8 | 3/4 | 3/8 | 7/8 | 3/8 | | H4TXV02 |
| | E*1P62D+H4TXV02+TDR | 14 | 12 | 41000 | 30200 | 8.2 | 40000 | 3.5 | 28800 | 2.4 | 1400 | 7/8 | 3/8 | 3/4 | 3/8 | 7/8 | 3/8 | | H4TXV02 |
| | EC4X49C+TDR | 14 | 12 | 41000 | 30200 | 8.2 | 40000 | 3.5 | 27800 | 2.4 | 1400 | 7/8 | 3/8 | 3/4 | 3/8 | 7/8 | 3/8 | | INC |
| | EC4X62D+TDR | 14 | 12 | 41000 | 30200 | 8.2 | 40000 | 3.5 | 28800 | 2.4 | 1400 | 7/8 | 3/8 | 3/4 | 3/8 | 7/8 | 3/8 | | INC |
| 4HP15L48P-1 | E*1P49C+H4TXV02+TDR | 14 | 12 | 47000 | 34600 | 8.2 | 46000 | 3.4 | 29600 | 2.5 | 1600 | 7/8 | 3/8 | 3/4 | 3/8 | 7/8 | 3/8 | | H4TXV02 |
| | E*1P62D+H4TXV02+TDR | 14 | 12 | 47000 | 34600 | 8.2 | 46000 | 3.4 | 29600 | 2.5 | 1600 | 7/8 | 3/8 | 3/4 | 3/8 | 7/8 | 3/8 | | H4TXV02 |
| | EC4X49C+TDR | 14 | 12 | 47000 | 34600 | 8.2 | 46000 | 3.4 | 29600 | 2.5 | 1600 | 7/8 | 3/8 | 3/4 | 3/8 | 7/8 | 3/8 | | INC |
| | EC4X62D+TDR | 14 | 12 | 47000 | 34600 | 8.2 | 46000 | 3.4 | 29600 | 2.5 | 1600 | 7/8 | 3/8 | 3/4 | 3/8 | 7/8 | 3/8 | | INC |
| 4HP15L60P-1 | E*1P62C+H4TXV03+TDR | 14 | 12 | 57000 | 42100 | 8.2 | 55000 | 3.4 | 36000 | 2.5 | 1900 | 7/8 | 3/8 | 7/8 | 3/8 | 11/8 | 3/8 | | H4TXV03 |
| | E*1P62D+H4TXV03+TDR | 14 | 12 | 57000 | 42100 | 8.2 | 55000 | 3.4 | 36000 | 2.5 | 1900 | 7/8 | 3/8 | 7/8 | 3/8 | 11/8 | 3/8 | | H4TXV03 |
| | EC4X62C+TDR | 14 | 12 | 57000 | 42100 | 8.2 | 55000 | 3.4 | 36000 | 2.5 | 1900 | 7/8 | 3/8 | 7/8 | 3/8 | 11/8 | 3/8 | | INC |
| | EC4X62D+TDR | 14 | 12 | 57000 | 42100 | 8.2 | 55000 | 3.4 | 36000 | 2.5 | 1900 | 7/8 | 3/8 | 7/8 | 3/8 | 11/8 | 3/8 | | INC |

N/A

Note:
 1 Certified in accordance with Unitary Air Conditioner Certification Program, which is based on AHRI Standard 210/240
 2 Required to achieve AHRI rating. If NA (Not Applicable) is in the piston column, then TXV is required.
 3 A blower time delay relay is required to achieve AHRI rating. This feature is standard on all Allied Air Enterprises furnace and AH products

LINE SETS

| Outdoor Model | Condenser Refrigerant Connection | | Refrigerant Line Size | |
|---------------|----------------------------------|--------|-----------------------|--------|
| | Outdoor | | Suction | Liquid |
| | Suction | Liquid | | |
| 4HP15L18P | 3/4 | 3/8 | 3/4 | 3/8 |
| 4HP15L24P | 3/4 | 3/8 | 3/4 | 3/8 |
| 4HP15L30P | 3/4 | 3/8 | 3/4 | 3/8 |
| 4HP15L36P | 7/8 | 3/8 | 7/8 | 3/8 |
| 4HP15L42P | 7/8 | 3/8 | 7/8 | 3/8 |
| 4HP15L48P | 7/8 | 3/8 | 7/8 | 3/8 |
| 4HP15L60P | 7/8 | 3/8 | 11/8 | 3/8 |

COOLING PERFORMANCE WITH AIR HANDLERS AND FURNACES

| Outdoor Model | Indoor Model | Furnace | Cooling | | | | Heating | | | | CFM | |
|---------------|-------------------|---------------|---------|-------|--------------------------|------------------------|---------|-------|-------|-------|-----|-----|
| | Evap. Coil | | SEER | EER | AHRI Rated Capacity BTUH | Sensible Capacity BTUH | HSPF | 47° | | 17° | | |
| | | | | | | | | Btuh | COP | Btuh | | COP |
| 4HP15L18P-1 | BCE3M24E****4X | | 15.1 | 12.5 | 18000 | 17000 | 8.2 | 17000 | 3.5 | 10000 | 2.3 | 650 |
| | BCE3M24V****4X | | 15 | 12 | 18000 | 17000 | 8.2 | 17000 | 3.5 | 11000 | 2.3 | 650 |
| | BCE3M18C****4X | | 14 | 12 | 18000 | 17000 | 8.2 | 17000 | 3.5 | 10000 | 2.3 | 650 |
| | BCE3M18C****P+TXV | | 14 | 12 | 18000 | 17000 | 8.2 | 17000 | 3.5 | 10000 | 2.3 | 650 |
| | BCE3M24C****4X | | 14 | 12 | 18000 | 17000 | 8.2 | 17000 | 3.5 | 10000 | 2.3 | 650 |
| | E*1P23A+H4TXV01 | 80G1UHO45AE12 | 16 | 13 | 18000 | 17000 | 8.2 | 17000 | 3.5 | 10000 | 2.3 | 650 |
| | E*1P23A+H4TXV01 | 80G2UHO70AV12 | 16 | 13 | 18000 | 17000 | 8.2 | 17000 | 3.5 | 10000 | 2.3 | 650 |
| | E*1P23B+H4TXV01 | 80G2UHO90BV16 | 16 | 13 | 18000 | 17000 | 8.2 | 17000 | 3.5 | 10000 | 2.3 | 650 |
| | E*1P23B+H4TXV01 | 95G2UHO70BV12 | 16 | 13 | 18000 | 17000 | 8.2 | 17000 | 3.5 | 10000 | 2.3 | 650 |
| | E*1P23B+H4TXV01 | EFV08BC | 16 | 13 | 18000 | 17000 | 8.2 | 17000 | 3.5 | 10000 | 2.3 | 650 |
| | E*1P24A+H4TXV01 | 80G2UHO70AV12 | 16 | 13 | 18000 | 17000 | 8.2 | 17000 | 3.5 | 10000 | 2.3 | 650 |
| | EC4X23A | 80G1UHO45AE12 | 16 | 13 | 18000 | 17000 | 8.2 | 17000 | 3.5 | 10000 | 2.3 | 650 |
| | EC4X23A | 80G2UHO70AV12 | 16 | 13 | 18000 | 17000 | 8.2 | 17000 | 3.5 | 10000 | 2.3 | 650 |
| | EC4X23B | 80G2UHO90BV16 | 16 | 13 | 18000 | 17000 | 8.2 | 17000 | 3.5 | 10000 | 2.3 | 650 |
| | EC4X23B | 95G2UHO70BV12 | 16 | 13 | 18000 | 17000 | 8.2 | 17000 | 3.5 | 10000 | 2.3 | 650 |
| | EC4X23B | EFV08BC | 16 | 13 | 18000 | 17000 | 8.2 | 17000 | 3.5 | 10000 | 2.3 | 650 |
| | EC4X24A | 80G2UHO70AV12 | 16 | 13 | 18000 | 17000 | 8.2 | 17000 | 3.5 | 10000 | 2.3 | 650 |
| | E*1P23B+H4TXV01 | 80G1UHO70BE12 | 15.1 | 12.5 | 18000 | 17000 | 8.2 | 17000 | 3.5 | 10000 | 2.3 | 650 |
| | E*1P23B+H4TXV01 | 95G1UHO45BE12 | 15.1 | 12.5 | 18000 | 17000 | 8.2 | 17000 | 3.5 | 10000 | 2.3 | 650 |
| | E*1P23B+H4TXV01 | 95G1UHO70BE12 | 15.1 | 12.5 | 18000 | 17000 | 8.2 | 17000 | 3.5 | 10000 | 2.3 | 650 |
| | E*1P23B+H4TXV01 | 95G2UHO45BE12 | 15.1 | 12.5 | 18000 | 17000 | 8.2 | 17000 | 3.5 | 10000 | 2.3 | 650 |
| | E*1P23B+H4TXV01 | 95G2UHO45BV12 | 15.1 | 12.5 | 18000 | 17000 | 8.2 | 17000 | 3.5 | 10000 | 2.3 | 650 |
| | E*1P23B+H4TXV01 | 95G2UHO70BE12 | 15.1 | 12.5 | 18000 | 17000 | 8.2 | 17000 | 3.5 | 10000 | 2.3 | 650 |
| | E*1P24A+H4TXV01 | 80G1UHO45AE12 | 15.1 | 12.5 | 18000 | 17000 | 8.2 | 17000 | 3.5 | 10000 | 2.3 | 650 |
| | E*1P24B+H4TXV01 | 80G1UHO70BE12 | 15.1 | 12.5 | 18000 | 17000 | 8.2 | 17000 | 3.5 | 10000 | 2.3 | 650 |
| | E*1P24B+H4TXV01 | 80G2UHO90BV16 | 15.1 | 12.5 | 18000 | 17000 | 8.2 | 17000 | 3.5 | 10000 | 2.3 | 650 |
| | E*1P24B+H4TXV01 | 95G1UHO45BE12 | 15.1 | 12.5 | 18000 | 17000 | 8.2 | 17000 | 3.5 | 10000 | 2.3 | 650 |
| | E*1P24B+H4TXV01 | 95G1UHO70BE12 | 15.1 | 12.5 | 18000 | 17000 | 8.2 | 17000 | 3.5 | 10000 | 2.3 | 650 |
| | E*1P24B+H4TXV01 | 95G2UHO45BV12 | 15.1 | 12.5 | 18000 | 17000 | 8.2 | 17000 | 3.5 | 10000 | 2.3 | 650 |
| | E*1P24B+H4TXV01 | 95G2UHO70BV12 | 15.1 | 12.5 | 18000 | 17000 | 8.2 | 17000 | 3.5 | 10000 | 2.3 | 650 |
| | E*1P24B+H4TXV01 | EFV08BC | 15.1 | 12.5 | 18000 | 17000 | 8.2 | 17000 | 3.5 | 10000 | 2.3 | 650 |
| | EC4X23B | 80G1UHO70BE12 | 15.1 | 12.5 | 18000 | 17000 | 8.2 | 17000 | 3.5 | 10000 | 2.3 | 650 |
| | EC4X23B | 95G1UHO45BE12 | 15.1 | 12.5 | 18000 | 17000 | 8.2 | 17000 | 3.5 | 10000 | 2.3 | 650 |
| | EC4X23B | 95G1UHO70BE12 | 15.1 | 12.5 | 18000 | 17000 | 8.2 | 17000 | 3.5 | 10000 | 2.3 | 650 |
| | EC4X23B | 95G2UHO45BE12 | 15.1 | 12.5 | 18000 | 17000 | 8.2 | 17000 | 3.5 | 10000 | 2.3 | 650 |
| | EC4X23B | 95G2UHO45BV12 | 15.1 | 12.5 | 18000 | 17000 | 8.2 | 17000 | 3.5 | 10000 | 2.3 | 650 |
| | EC4X23B | 95G2UHO70BE12 | 15.1 | 12.5 | 18000 | 17000 | 8.2 | 17000 | 3.5 | 10000 | 2.3 | 650 |
| | EC4X24A | 80G1UHO45AE12 | 15.1 | 12.5 | 18000 | 17000 | 8.2 | 17000 | 3.5 | 10000 | 2.3 | 650 |
| | EC4X24B | 80G1UHO70BE12 | 15.1 | 12.5 | 18000 | 17000 | 8.2 | 17000 | 3.5 | 10000 | 2.3 | 650 |
| | EC4X24B | 80G2UHO90BV16 | 15.1 | 12.5 | 18000 | 17000 | 8.2 | 17000 | 3.5 | 10000 | 2.3 | 650 |
| EC4X24B | 95G1UHO45BE12 | 15.1 | 12.5 | 18000 | 17000 | 8.2 | 17000 | 3.5 | 10000 | 2.3 | 650 | |

COOLING PERFORMANCE WITH AIR HANDLERS AND FURNACES

| Outdoor Model | Indoor Model | Furnace | Cooling | | | | Heating | | | | CFM | |
|---------------|-------------------|----------------|---------|-------|--------------------------|------------------------|---------|-------|-------|-------|-----|-----|
| | Evap. Coil | | SEER | EER | AHRI Rated Capacity BTUH | Sensible Capacity BTUH | HSPF | 47° | | 17° | | |
| | | | | | | | | Btuh | COP | Btuh | | COP |
| 4HP15L18P-1 | EC4X24B | 95G1UH070BE12 | 15.1 | 12.5 | 18000 | 17000 | 8.2 | 17000 | 3.5 | 10000 | 2.3 | 650 |
| | EC4X24B | 95G2UH045BV12 | 15.1 | 12.5 | 18000 | 17000 | 8.2 | 17000 | 3.5 | 10000 | 2.3 | 650 |
| | EC4X24B | 95G2UH070BV12 | 15.1 | 12.5 | 18000 | 17000 | 8.2 | 17000 | 3.5 | 10000 | 2.3 | 650 |
| | EC4X24B | EFV08BC | 15.1 | 12.5 | 18000 | 17000 | 8.2 | 17000 | 3.5 | 10000 | 2.3 | 650 |
| 4HP15L24P-1 | BCE3M30E****4X | | 15 | 12.5 | 23400 | 171000 | 8.5 | 21600 | 3.4 | 14000 | 2.3 | 850 |
| | BCE3M30E****X | | 15 | 12.5 | 23400 | 171000 | 8.5 | 21600 | 3.4 | 14000 | 2.3 | 850 |
| | BCE3M30V****4X | | 15 | 12 | 24000 | 171000 | 8.2 | 21000 | 3.4 | 13000 | 2.3 | 875 |
| | BCE3M24C****4X | | 14 | 12 | 23400 | 171000 | 8.2 | 21600 | 3.4 | 14000 | 2.3 | 850 |
| | BCE3M24C****P+TXV | | 14 | 12 | 23400 | 171000 | 8.2 | 21600 | 3.4 | 14000 | 2.3 | 850 |
| | E*1P23A+H4TXV01 | 80G2UH070AV12* | 15 | 12.5 | 23400 | 171000 | 8.2 | 21600 | 3.4 | 14000 | 2.3 | 850 |
| | E*1P23B+H4TXV01 | 80G1UH070BE12 | 15 | 12.5 | 23400 | 171000 | 8.2 | 21600 | 3.4 | 14000 | 2.3 | 850 |
| | E*1P23B+H4TXV01 | 80G2UH090BV16* | 15 | 12.5 | 23400 | 171000 | 8.2 | 21600 | 3.4 | 14000 | 2.3 | 850 |
| | E*1P23B+H4TXV01 | 95G2UH045BV12 | 15 | 12.5 | 23400 | 171000 | 8.2 | 21600 | 3.4 | 14000 | 2.3 | 850 |
| | E*1P23B+H4TXV01 | 95G2UH070BV12 | 15 | 12.5 | 23400 | 171000 | 8.2 | 21600 | 3.4 | 14000 | 2.3 | 850 |
| | E*1P23B+H4TXV01 | EFV08BC | 15 | 12.5 | 23400 | 171000 | 8.2 | 21600 | 3.4 | 14000 | 2.3 | 850 |
| | E*1P24A+H4TXV01 | 80G2UH070AV12* | 15 | 12.5 | 23400 | 171000 | 8.5 | 21600 | 3.4 | 14000 | 2.3 | 850 |
| | E*1P24B+H4TXV01 | 80G1UH070BE12 | 15 | 12.5 | 23400 | 171000 | 8.5 | 21600 | 3.4 | 14000 | 2.3 | 850 |
| | E*1P24B+H4TXV01 | 80G2UH090BV16* | 15 | 12.5 | 23400 | 171000 | 8.5 | 21600 | 3.4 | 14000 | 2.3 | 850 |
| | E*1P24B+H4TXV01 | 95G2UH045BV12 | 15 | 12.5 | 23400 | 171000 | 8.5 | 21600 | 3.4 | 14000 | 2.3 | 850 |
| | E*1P24B+H4TXV01 | 95G2UH070BV12 | 15 | 12.5 | 23400 | 171000 | 8.5 | 21600 | 3.4 | 14000 | 2.3 | 850 |
| | E*1P24B+H4TXV01 | EFV08BC | 15 | 12.5 | 23400 | 171000 | 8.5 | 21600 | 3.4 | 14000 | 2.3 | 850 |
| | E*1P29A+H4TXV01 | 80G2UH070AV12* | 15 | 12.5 | 23400 | 171000 | 8.5 | 21600 | 3.4 | 14000 | 2.3 | 850 |
| | E*1P29B+H4TXV01 | 80G1UH070BE12 | 15 | 12.5 | 23400 | 171000 | 8.5 | 21600 | 3.4 | 14000 | 2.3 | 850 |
| | E*1P29B+H4TXV01 | 80G2UH090BV16* | 15 | 12.5 | 23400 | 171000 | 8.5 | 21600 | 3.4 | 14000 | 2.3 | 850 |
| | E*1P29B+H4TXV01 | 95G2UH045BV12 | 15 | 12.5 | 23400 | 171000 | 8.5 | 21600 | 3.4 | 14000 | 2.3 | 850 |
| | E*1P29B+H4TXV01 | 95G2UH070BV12 | 15 | 12.5 | 23400 | 171000 | 8.5 | 21600 | 3.4 | 14000 | 2.3 | 850 |
| | E*1P29B+H4TXV01 | EFV08BC | 15 | 12.5 | 23400 | 171000 | 8.5 | 21600 | 3.4 | 14000 | 2.3 | 850 |
| | EC4X23A | 80G2UH070AV12* | 15 | 12.5 | 23400 | 171000 | 8.2 | 21600 | 3.4 | 14000 | 2.3 | 850 |
| | EC4X23B | 80G1UH070BE12 | 15 | 12.5 | 23400 | 171000 | 8.2 | 21600 | 3.4 | 14000 | 2.3 | 850 |
| | EC4X23B | 80G2UH090BV16* | 15 | 12.5 | 23400 | 171000 | 8.2 | 21600 | 3.4 | 14000 | 2.3 | 850 |
| | EC4X23B | 95G2UH045BV12 | 15 | 12.5 | 23400 | 171000 | 8.2 | 21600 | 3.4 | 14000 | 2.3 | 850 |
| | EC4X23B | 95G2UH070BV12 | 15 | 12.5 | 23400 | 171000 | 8.2 | 21600 | 3.4 | 14000 | 2.3 | 850 |
| | EC4X23B | EFV08BC | 15 | 12.5 | 23400 | 171000 | 8.2 | 21600 | 3.4 | 14000 | 2.3 | 850 |
| | EC4X24A | 80G2UH070AV12* | 15 | 12.5 | 23400 | 171000 | 8.5 | 21600 | 3.4 | 14000 | 2.3 | 850 |
| | EC4X24B | 80G1UH070BE12 | 15 | 12.5 | 23400 | 171000 | 8.5 | 21600 | 3.4 | 14000 | 2.3 | 850 |
| | EC4X24B | 80G2UH090BV16* | 15 | 12.5 | 23400 | 171000 | 8.5 | 21600 | 3.4 | 14000 | 2.3 | 850 |
| | EC4X24B | 95G2UH045BV12 | 15 | 12.5 | 23400 | 171000 | 8.5 | 21600 | 3.4 | 14000 | 2.3 | 850 |
| | EC4X24B | 95G2UH070BV12 | 15 | 12.5 | 23400 | 171000 | 8.5 | 21600 | 3.4 | 14000 | 2.3 | 850 |
| EC4X24B | EFV08BC | 15 | 12.5 | 23400 | 171000 | 8.5 | 21600 | 3.4 | 14000 | 2.3 | 850 | |
| EC4X29A | 80G2UH070AV12* | 15 | 12.5 | 23400 | 171000 | 8.5 | 21600 | 3.4 | 14000 | 2.3 | 850 | |

COOLING PERFORMANCE WITH AIR HANDLERS AND FURNACES

| Outdoor Model | Indoor Model | Furnace | Cooling | | | | Heating | | | | CFM | |
|--------------------|--------------------|----------------|---------|------|--------------------------|------------------------|---------|-------|-------|-------|-------|------|
| | Evap. Coil | | SEER | EER | AHRI Rated Capacity BTUH | Sensible Capacity BTUH | HSPF | 47° | | 17° | | |
| | | | | | | | | Btuh | COP | Btuh | | COP |
| 4HP15L24P-1 | EC4X29B | 80G1UH070BE12 | 15 | 12.5 | 23400 | 171000 | 8.5 | 21600 | 3.4 | 14000 | 2.3 | 850 |
| | EC4X29B | 80G2UH090BV16* | 15 | 12.5 | 23400 | 171000 | 8.5 | 21600 | 3.4 | 14000 | 2.3 | 850 |
| | EC4X29B | 95G2UH045BV12 | 15 | 12.5 | 23400 | 171000 | 8.5 | 21600 | 3.4 | 14000 | 2.3 | 850 |
| | EC4X29B | 95G2UH070BV12 | 15 | 12.5 | 23400 | 171000 | 8.5 | 21600 | 3.4 | 14000 | 2.3 | 850 |
| | EC4X29B | EFV08BC | 15 | 12.5 | 23400 | 171000 | 8.5 | 21600 | 3.4 | 14000 | 2.3 | 850 |
| | E*1P23A+H4TXV01 | 80G1UH045AE12 | 14.5 | 12 | 23400 | 171000 | 8.2 | 21600 | 3.4 | 14000 | 2.3 | 850 |
| | E*1P23B+H4TXV01 | 95G1UH045BE12 | 14.5 | 12 | 23400 | 171000 | 8.2 | 21600 | 3.4 | 14000 | 2.3 | 850 |
| | E*1P23B+H4TXV01 | 95G1UH070BE12 | 14.5 | 12 | 23400 | 171000 | 8.2 | 21600 | 3.4 | 14000 | 2.3 | 850 |
| | E*1P24A+H4TXV01 | 80G1UH045AE12 | 14.5 | 12 | 23400 | 171000 | 8.5 | 21600 | 3.4 | 14000 | 2.3 | 850 |
| | E*1P24B+H4TXV01 | 95G1UH045BE12 | 14.5 | 12 | 23400 | 171000 | 8.5 | 21600 | 3.4 | 14000 | 2.3 | 850 |
| | E*1P24B+H4TXV01 | 95G1UH070BE12 | 14.5 | 12 | 23400 | 171000 | 8.5 | 21600 | 3.4 | 14000 | 2.3 | 850 |
| | E*1P29A+H4TXV01 | 80G1UH045AE12 | 14.5 | 12 | 23400 | 171000 | 8.5 | 21600 | 3.4 | 14000 | 2.3 | 850 |
| | E*1P29B+H4TXV01 | 95G1UH045BE12 | 14.5 | 12 | 23400 | 171000 | 8.5 | 21600 | 3.4 | 14000 | 2.3 | 850 |
| | E*1P29B+H4TXV01 | 95G1UH070BE12 | 14.5 | 12 | 23400 | 171000 | 8.5 | 21600 | 3.4 | 14000 | 2.3 | 850 |
| | EC4X23A | 80G1UH045AE12 | 14.5 | 12 | 23400 | 171000 | 8.2 | 21600 | 3.4 | 14000 | 2.3 | 850 |
| | EC4X23B | 95G1UH045BE12 | 14.5 | 12 | 23400 | 171000 | 8.2 | 21600 | 3.4 | 14000 | 2.3 | 850 |
| | EC4X23B | 95G1UH070BE12 | 14.5 | 12 | 23400 | 171000 | 8.2 | 21600 | 3.4 | 14000 | 2.3 | 850 |
| | EC4X24A | 80G1UH045AE12 | 14.5 | 12 | 23400 | 171000 | 8.5 | 21600 | 3.4 | 14000 | 2.3 | 850 |
| | EC4X24B | 95G1UH045BE12 | 14.5 | 12 | 23400 | 171000 | 8.5 | 21600 | 3.4 | 14000 | 2.3 | 850 |
| | EC4X24B | 95G1UH070BE12 | 14.5 | 12 | 23400 | 171000 | 8.5 | 21600 | 3.4 | 14000 | 2.3 | 850 |
| | EC4X29A | 80G1UH045AE12 | 14.5 | 12 | 23400 | 171000 | 8.5 | 21600 | 3.4 | 14000 | 2.3 | 850 |
| | EC4X29B | 95G1UH045BE12 | 14.5 | 12 | 23400 | 171000 | 8.5 | 21600 | 3.4 | 14000 | 2.3 | 850 |
| | EC4X29B | 95G1UH070BE12 | 14.5 | 12 | 23400 | 171000 | 8.5 | 21600 | 3.4 | 14000 | 2.3 | 850 |
| | 4HP15L30P-1 | BCE3M30E****4X | | 15 | 12.5 | 28600 | 21500 | 8.5 | 26000 | 3.6 | 17000 | 2.5 |
| BCE3M30E****X | | | 15 | 12.5 | 28600 | 21500 | 8.5 | 26000 | 3.6 | 17000 | 2.5 | 1050 |
| BCE3M30V****4X | | | 14.5 | 12 | 28600 | 21500 | 8.2 | 25400 | 3.6 | 15000 | 2.5 | 1000 |
| BCE3M30C****4X | | | 14 | 12 | 28000 | 21500 | 8.2 | 26000 | 3.6 | 17000 | 2.5 | 950 |
| BCE3M30C****P+TXV | | | 14 | 12 | 28600 | 21500 | 8.2 | 26000 | 3.6 | 17000 | 2.5 | 1050 |
| E*1P29A+H4TXV01 | | 80G2UH070AV12* | 15 | 12.5 | 28600 | 21500 | 8.5 | 26000 | 3.6 | 17000 | 2.5 | 1050 |
| E*1P36A+H4TXV01 | | 80G2UH070AV12* | 15 | 12.5 | 28600 | 21500 | 8.5 | 26000 | 3.6 | 17000 | 2.5 | 1050 |
| E*1P36C+H4TXV01 | | 95G2UH090CV12 | 15 | 12.5 | 28600 | 21500 | 8.5 | 26000 | 3.6 | 17000 | 2.5 | 1050 |
| EC4X29A | | 80G2UH070AV12* | 15 | 12.5 | 28600 | 21500 | 8.5 | 26000 | 3.6 | 17000 | 2.5 | 1050 |
| EC4X36A | | 80G2UH070AV12* | 15 | 12.5 | 28600 | 21500 | 8.5 | 26000 | 3.6 | 17000 | 2.5 | 1050 |
| EC4X36C | | 95G2UH090CV12 | 15 | 12.5 | 28600 | 21500 | 8.5 | 26000 | 3.6 | 17000 | 2.5 | 1050 |
| E*1P29B+H4TXV01 | | 80G1UH070BE12 | 14.5 | 12.5 | 28600 | 21500 | 8.5 | 26000 | 3.6 | 17000 | 2.5 | 1050 |
| E*1P29B+H4TXV01 | | 80G1UH090BE16 | 14.5 | 12.5 | 28600 | 21500 | 8.5 | 26000 | 3.6 | 17000 | 2.5 | 1070 |
| E*1P29B+H4TXV01 | | 80G2UH090BV16* | 14.5 | 12.5 | 28600 | 21500 | 8.5 | 26000 | 3.6 | 17000 | 2.5 | 1050 |
| E*1P29B+H4TXV01 | | 95G2UH070BV12 | 14.5 | 12.5 | 28600 | 21500 | 8.5 | 26000 | 3.6 | 17000 | 2.5 | 1050 |
| E*1P29B+H4TXV01 | | EFV12BC | 14.5 | 12.5 | 28600 | 21500 | 8.5 | 26000 | 3.6 | 17000 | 2.5 | 1050 |
| E*1P30A+H4TXV01 | | 80G2UH070AV12* | 14.5 | 12.5 | 28000 | 21500 | 8.5 | 26000 | 3.6 | 15600 | 2.5 | 1050 |
| E*1P30C+H4TXV01 | | 95G1UH090CE16 | 14.5 | 12 | 28000 | 21500 | 8.5 | 26000 | 3.6 | 15600 | 2.5 | 1050 |
| E*1P30C+H4TXV01 | | 95G2UH090CV12 | 14.5 | 12.5 | 28000 | 21500 | 8.5 | 26000 | 3.6 | 15600 | 2.5 | 1050 |

COOLING PERFORMANCE WITH AIR HANDLERS AND FURNACES

| Outdoor Model | Indoor Model | Furnace | Cooling | | | | Heating | | | | CFM | | |
|-------------------|-----------------|----------------|---------|------|--------------------------|------------------------|---------|-------|-------|-------|-------|------|------|
| | Evap. Coil | | SEER | EER | AHRI Rated Capacity BTUH | Sensible Capacity BTUH | HSPF | 47° | | 17° | | | |
| | | | | | | | | Btuh | COP | Btuh | | COP | |
| 4HP15L30P-1 | E*1P30C+H4TXV01 | EFV16CC | 14.5 | 12.5 | 28000 | 21500 | 8.5 | 26000 | 3.6 | 15600 | 2.5 | 1050 | |
| | E*1P36B+H4TXV01 | 80G1UH070BE12 | 14.5 | 12.5 | 28600 | 21500 | 8.5 | 26000 | 3.6 | 17000 | 2.5 | 1050 | |
| | E*1P36B+H4TXV01 | 80G2UH090BV16* | 14.5 | 12.5 | 28600 | 21500 | 8.5 | 26000 | 3.6 | 17000 | 2.5 | 1050 | |
| | E*1P36B+H4TXV01 | 95G2UH070BV12 | 14.5 | 12.5 | 28600 | 21500 | 8.5 | 26000 | 3.6 | 17000 | 2.5 | 1050 | |
| | E*1P36B+H4TXV01 | EFV12BC | 14.5 | 12.5 | 28600 | 21500 | 8.5 | 26000 | 3.6 | 17000 | 2.5 | 1050 | |
| | E*1P36C+H4TXV01 | 95G1UH090CE16 | 14.5 | 12.5 | 28600 | 21500 | 8.5 | 26000 | 3.6 | 17000 | 2.5 | 1050 | |
| | E*1P36C+H4TXV01 | EFV16CC | 14.5 | 12.5 | 28600 | 21500 | 8.5 | 26000 | 3.6 | 17000 | 2.5 | 1050 | |
| | EC4X29B | 80G1UH070BE12 | 14.5 | 12.5 | 28600 | 21500 | 8.5 | 26000 | 3.6 | 17000 | 2.5 | 1050 | |
| | EC4X29B | 80G1UH090BE16 | 14.5 | 12.5 | 28600 | 21500 | 8.5 | 26000 | 3.6 | 17000 | 2.5 | 1070 | |
| | EC4X29B | 80G2UH090BV16* | 14.5 | 12.5 | 28600 | 21500 | 8.5 | 26000 | 3.6 | 17000 | 2.5 | 1050 | |
| | EC4X29B | 95G2UH070BV12 | 14.5 | 12.5 | 28600 | 21500 | 8.5 | 26000 | 3.6 | 17000 | 2.5 | 1050 | |
| | EC4X29B | EFV12BC | 14.5 | 12.5 | 28600 | 21500 | 8.5 | 26000 | 3.6 | 17000 | 2.5 | 1050 | |
| | EC4X30A | 80G2UH070AV12* | 14.5 | 12.5 | 28000 | 21500 | 8.5 | 26000 | 3.6 | 15600 | 2.5 | 1050 | |
| | EC4X30C | 95G1UH090CE16 | 14.5 | 12 | 28000 | 21500 | 8.5 | 26000 | 3.6 | 15600 | 2.5 | 1050 | |
| | EC4X30C | 95G2UH090CV12 | 14.5 | 12.5 | 28000 | 21500 | 8.5 | 26000 | 3.6 | 15600 | 2.5 | 1050 | |
| | EC4X30C | EFV16CC | 14.5 | 12.5 | 28000 | 21500 | 8.5 | 26000 | 3.6 | 15600 | 2.5 | 1050 | |
| | EC4X36B | 80G1UH070BE12 | 14.5 | 12.5 | 28600 | 21500 | 8.5 | 26000 | 3.6 | 17000 | 2.5 | 1050 | |
| | EC4X36B | 80G2UH090BV16* | 14.5 | 12.5 | 28600 | 21500 | 8.5 | 26000 | 3.6 | 17000 | 2.5 | 1050 | |
| | EC4X36B | 95G2UH070BV12 | 14.5 | 12.5 | 28600 | 21500 | 8.5 | 26000 | 3.6 | 17000 | 2.5 | 1050 | |
| | EC4X36B | EFV12BC | 14.5 | 12.5 | 28600 | 21500 | 8.5 | 26000 | 3.6 | 17000 | 2.5 | 1050 | |
| | EC4X36C | 95G1UH090CE16 | 14.5 | 12.5 | 28600 | 21500 | 8.5 | 26000 | 3.6 | 17000 | 2.5 | 1050 | |
| | EC4X36C | EFV16CC | 14.5 | 12.5 | 28600 | 21500 | 8.5 | 26000 | 3.6 | 17000 | 2.5 | 1050 | |
| | E*1P29B+H4TXV01 | 95G1UH070BE12 | 14 | 12 | 28600 | 21500 | 8.5 | 26000 | 3.6 | 17000 | 2.5 | 1070 | |
| | E*1P30B+H4TXV01 | 80G1UH090BE16 | 14 | 12 | 28000 | 21500 | 8.5 | 26000 | 3.6 | 15600 | 2.5 | 1050 | |
| | E*1P36B+H4TXV01 | 80G1UH090BE16 | 14 | 12 | 28600 | 21500 | 8.5 | 26000 | 3.6 | 17000 | 2.5 | 1070 | |
| | E*1P36B+H4TXV01 | 95G1UH070BE12 | 14 | 12 | 28600 | 21500 | 8.2 | 26000 | 3.6 | 17000 | 2.5 | 1070 | |
| | EC4X29B | 95G1UH070BE12 | 14 | 12 | 28600 | 21500 | 8.5 | 26000 | 3.6 | 17000 | 2.5 | 1070 | |
| | EC4X30B | 80G1UH090BE16 | 14 | 12 | 28000 | 21500 | 8.5 | 26000 | 3.6 | 15600 | 2.5 | 1050 | |
| | EC4X36B | 80G1UH090BE16 | 14 | 12 | 28600 | 21500 | 8.5 | 26000 | 3.6 | 17000 | 2.5 | 1070 | |
| | EC4X36B | 95G1UH070BE12 | 14 | 12 | 28600 | 21500 | 8.2 | 26000 | 3.6 | 17000 | 2.5 | 1070 | |
| | 4HP15L36P-1 | BCE3M36E****4X | | 15 | 12.5 | 34000 | 26000 | 8.5 | 33800 | 3.6 | 21800 | 2.5 | 1250 |
| | | BCE3M36E****X | | 15 | 12.5 | 34000 | 26000 | 8.5 | 33800 | 3.6 | 21800 | 2.5 | 1250 |
| BCE3M36V****4X | | | 14.5 | 12 | 34000 | 26000 | 8.2 | 33000 | 3.6 | 21000 | 2.5 | 1200 | |
| BCE3M36C****4X | | | 14 | 12 | 34000 | 26000 | 8.2 | 33800 | 3.6 | 21800 | 2.5 | 1250 | |
| BCE3M36C****P+TXV | | | 14 | 12 | 34000 | 26000 | 8.2 | 33800 | 3.6 | 21800 | 2.5 | 1250 | |
| E*1P36C+H4TXV02 | | EFV16CC | 15 | 12.5 | 34000 | 26000 | 8.5 | 33800 | 3.6 | 21000 | 2.5 | 1250 | |
| E*1P43C+H4TXV02 | | EFV16CC | 15 | 12.5 | 34000 | 26000 | 8.5 | 33800 | 3.6 | 21800 | 2.5 | 1250 | |
| EC4X36C | | EFV16CC | 15 | 12.5 | 34000 | 26000 | 8.5 | 33800 | 3.6 | 21000 | 2.5 | 1250 | |
| EC4X43C | | EFV16CC | 15 | 12.5 | 34000 | 26000 | 8.5 | 33800 | 3.6 | 21800 | 2.5 | 1250 | |
| E*1P36A+H4TXV02 | | 80G2UH070AV12* | 14.5 | 12.5 | 34000 | 26000 | 8.5 | 33800 | 3.6 | 21200 | 2.5 | 1250 | |
| E*1P36B+H4TXV02 | | 80G1UH090BE16 | 14.5 | 12.5 | 34000 | 26000 | 8.5 | 33800 | 3.6 | 21200 | 2.5 | 1250 | |
| E*1P36B+H4TXV02 | | EFV12BC | 14.5 | 12.5 | 34000 | 26000 | 8.5 | 33800 | 3.6 | 21200 | 2.5 | 1250 | |

COOLING PERFORMANCE WITH AIR HANDLERS AND FURNACES

| Outdoor Model | Indoor Model | Furnace | Cooling | | | | Heating | | | | CFM | |
|---------------|-------------------------|----------------|---------|-------|--------------------------|------------------------|---------|-------|-------|-------|------|------|
| | Evap. Coil | | SEER | EER | AHRI Rated Capacity BTUH | Sensible Capacity BTUH | HSPF | 47° | | 17° | | |
| | | | | | | | | Btuh | COP | Btuh | | COP |
| 4HP15L36P-1 | E*1P36C+H4TXV02 | 80G2UH110CV20* | 14.5 | 12.5 | 34000 | 26000 | 8.5 | 33800 | 3.6 | 21200 | 2.5 | 1250 |
| | E*1P36C+H4TXV02 | 95G2UH090CV12 | 14.5 | 12.5 | 34000 | 26000 | 8.2 | 33800 | 3.6 | 21200 | 2.5 | 1250 |
| | E*1P36C+H4TXV02 | 95G2UH090CV20 | 14.5 | 12.5 | 34000 | 26000 | 8.5 | 33800 | 3.6 | 21200 | 2.5 | 1250 |
| | E*1P36C+H4TXV02 | 95G2UH110CV20 | 14.5 | 12.5 | 34000 | 26000 | 8.5 | 33800 | 3.6 | 21200 | 2.5 | 1250 |
| | E*1P43B+H4TXV02 | 80G1UH090BE16 | 14.5 | 12.5 | 34000 | 26000 | 8.5 | 33800 | 3.6 | 21800 | 2.5 | 1250 |
| | E*1P43B+H4TXV02 | EFV12BC | 14.5 | 12.5 | 34000 | 26000 | 8.5 | 33800 | 3.6 | 21800 | 2.5 | 1250 |
| | E*1P43C+H4TXV02 | 80G1UH090CE20 | 14.5 | 12.5 | 34000 | 26000 | 8.5 | 33800 | 3.6 | 21800 | 2.5 | 1275 |
| | E*1P43C+H4TXV02 | 80G1UH110CE20 | 14.5 | 12.5 | 34000 | 26000 | 8.5 | 33800 | 3.6 | 21800 | 2.5 | 1275 |
| | E*1P43C+H4TXV02 | 80G2UH110CV20* | 14.5 | 12.5 | 34000 | 26000 | 8.5 | 33800 | 3.6 | 21800 | 2.5 | 1250 |
| | E*1P43C+H4TXV02 | 95G2UH090CV12 | 14.5 | 12.5 | 34000 | 26000 | 8.5 | 33800 | 3.6 | 21800 | 2.5 | 1250 |
| | E*1P43C+H4TXV02 | 95G2UH090CV20 | 14.5 | 12.5 | 34000 | 26000 | 8.5 | 33800 | 3.6 | 21800 | 2.5 | 1225 |
| | E*1P43C+H4TXV02 | 95G2UH110CV20 | 14.5 | 12.5 | 34000 | 26000 | 8.5 | 33800 | 3.6 | 21800 | 2.5 | 1250 |
| | EC4X36A | 80G2UH070AV12* | 14.5 | 12.5 | 34000 | 26000 | 8.5 | 33800 | 3.6 | 21200 | 2.5 | 1250 |
| | EC4X36B | 80G1UH090BE16 | 14.5 | 12.5 | 34000 | 26000 | 8.5 | 33800 | 3.6 | 21200 | 2.5 | 1250 |
| | EC4X36B | EFV12BC | 14.5 | 12.5 | 34000 | 26000 | 8.5 | 33800 | 3.6 | 21200 | 2.5 | 1250 |
| | EC4X36C | 80G2UH110CV20* | 14.5 | 12.5 | 34000 | 26000 | 8.5 | 33800 | 3.6 | 21200 | 2.5 | 1250 |
| | EC4X36C | 95G2UH090CV12 | 14.5 | 12.5 | 34000 | 26000 | 8.2 | 33800 | 3.6 | 21200 | 2.5 | 1250 |
| | EC4X36C | 95G2UH090CV20 | 14.5 | 12.5 | 34000 | 26000 | 8.5 | 33800 | 3.6 | 21200 | 2.5 | 1250 |
| | EC4X36C | 95G2UH110CV20 | 14.5 | 12.5 | 34000 | 26000 | 8.5 | 33800 | 3.6 | 21200 | 2.5 | 1250 |
| | EC4X43B | 80G1UH090BE16 | 14.5 | 12.5 | 34000 | 26000 | 8.5 | 33800 | 3.6 | 21800 | 2.5 | 1250 |
| | EC4X43B | EFV12BC | 14.5 | 12.5 | 34000 | 26000 | 8.5 | 33800 | 3.6 | 21800 | 2.5 | 1250 |
| | EC4X43C | 80G1UH090CE20 | 14.5 | 12.5 | 34000 | 26000 | 8.5 | 33800 | 3.6 | 21800 | 2.5 | 1275 |
| | EC4X43C | 80G1UH110CE20 | 14.5 | 12.5 | 34000 | 26000 | 8.5 | 33800 | 3.6 | 21800 | 2.5 | 1275 |
| | EC4X43C | 80G2UH110CV20* | 14.5 | 12.5 | 34000 | 26000 | 8.5 | 33800 | 3.6 | 21800 | 2.5 | 1250 |
| | EC4X43C | 95G2UH090CV12 | 14.5 | 12.5 | 34000 | 26000 | 8.5 | 33800 | 3.6 | 21800 | 2.5 | 1250 |
| | EC4X43C | 95G2UH090CV20 | 14.5 | 12.5 | 34000 | 26000 | 8.5 | 33800 | 3.6 | 21800 | 2.5 | 1225 |
| | EC4X43C | 95G2UH110CV20 | 14.5 | 12.5 | 34000 | 26000 | 8.5 | 33800 | 3.6 | 21800 | 2.5 | 1250 |
| | E*1P36(B,C)+H4TXV02+TDR | 95G2UH070BV12 | 14 | 12 | 34000 | 26000 | 8.2 | 33800 | 3.6 | 21000 | 2.5 | 1200 |
| | E*1P36C+H4TXV02 | 80G1UH090CE20 | 14 | 12 | 34000 | 26000 | 8.5 | 33800 | 3.6 | 21200 | 2.5 | 1275 |
| | E*1P36C+H4TXV02 | 80G1UH110CE20 | 14 | 12 | 34000 | 26000 | 8.5 | 33800 | 3.6 | 21200 | 2.5 | 1275 |
| | E*1P36C+H4TXV02 | 95G1UH110CE20 | 14 | 12 | 34000 | 26000 | 8.5 | 33800 | 3.6 | 21200 | 2.5 | 1275 |
| | E*1P43(B,C)+H4TXV02+TDR | 95G2UH070BV12 | 14 | 12 | 34000 | 26000 | 8.2 | 33800 | 3.6 | 21000 | 2.5 | 1200 |
| | E*1P43C+H4TXV02 | 95G1UH110CE20 | 14 | 12 | 34000 | 26000 | 8.5 | 33800 | 3.6 | 21800 | 2.5 | 1275 |
| EC4X36B | 95G2UH070BV12 | 14 | 12 | 34000 | 26000 | 8.2 | 33800 | 3.6 | 21000 | 2.5 | 1200 | |
| EC4X36C | 80G1UH090CE20 | 14 | 12 | 34000 | 26000 | 8.5 | 33800 | 3.6 | 21200 | 2.5 | 1275 | |
| EC4X36C | 80G1UH110CE20 | 14 | 12 | 34000 | 26000 | 8.5 | 33800 | 3.6 | 21200 | 2.5 | 1275 | |
| EC4X36C | 95G1UH110CE20 | 14 | 12 | 34000 | 26000 | 8.5 | 33800 | 3.6 | 21200 | 2.5 | 1275 | |
| EC4X43B | 95G2UH070BV12 | 14 | 12 | 34000 | 26000 | 8.2 | 33800 | 3.6 | 21000 | 2.5 | 1200 | |
| EC4X43C | 95G1UH110CE20 | 14 | 12 | 34000 | 26000 | 8.5 | 33800 | 3.6 | 21800 | 2.5 | 1275 | |
| 4HP15L42P-1 | BCE3M42E****4X | | 15 | 12.5 | 41000 | 30700 | 8.5 | 40000 | 3.6 | 28800 | 2.4 | 1400 |
| | BCE3M42E****X | | 15 | 12.5 | 41000 | 30700 | 8.5 | 40000 | 3.6 | 28800 | 2.4 | 1400 |
| | BCE3M42V****4X | | 14.5 | 12 | 41000 | 30700 | 8.2 | 40000 | 3.6 | 28000 | 2.4 | 1450 |

COOLING PERFORMANCE WITH AIR HANDLERS AND FURNACES

| Outdoor Model | Indoor Model | Furnace | Cooling | | | | Heating | | | | CFM | |
|---------------|-----------------------|----------------|---------|-------|--------------------------|------------------------|---------|-------|-------|-------|------|------|
| | Evap. Coil | | SEER | EER | AHRI Rated Capacity BTUH | Sensible Capacity BTUH | HSPF | 47° | | 17° | | |
| | | | | | | | | Btuh | COP | Btuh | | COP |
| 4HP15L42P-1 | BCE3M42C****4X | | 14 | 12 | 41000 | 30700 | 8.2 | 40000 | 3.6 | 28800 | 2.4 | 1400 |
| | BCE3M42C****P+H4TXV02 | | 14 | 12 | 41000 | 30700 | 8.2 | 40000 | 3.6 | 28800 | 2.4 | 1400 |
| | BCE3M42C****P+TXV | | 14 | 12 | 41000 | 30700 | 8.2 | 40000 | 3.6 | 28800 | 2.4 | 1400 |
| | E*1P49C+H4TXV02 | 80G1UH090CE20 | 15 | 12.5 | 41000 | 30700 | 8.5 | 40000 | 3.6 | 27200 | 2.4 | 1400 |
| | E*1P49C+H4TXV02 | 80G1UH110CE20 | 15 | 12.5 | 41000 | 30700 | 8.5 | 40000 | 3.6 | 27200 | 2.4 | 1400 |
| | E*1P49C+H4TXV02 | 80G2UH110CV20* | 15 | 12.5 | 41000 | 30700 | 8.5 | 40000 | 3.6 | 27200 | 2.4 | 1400 |
| | E*1P49C+H4TXV02 | 95G1UH110CE20 | 15 | 12.5 | 41000 | 30700 | 8.5 | 40000 | 3.6 | 27200 | 2.4 | 1400 |
| | E*1P49C+H4TXV02 | 95G2UH090CE16 | 15 | 12.5 | 41000 | 30700 | 8.2 | 40000 | 3.6 | 27200 | 2.4 | 1400 |
| | E*1P49C+H4TXV02 | 95G2UH090CV20 | 15 | 12.5 | 41000 | 30700 | 8.5 | 40000 | 3.6 | 27200 | 2.4 | 1400 |
| | E*1P49C+H4TXV02 | 95G2UH110CE20 | 15 | 12.5 | 41000 | 30700 | 8.2 | 40000 | 3.6 | 27200 | 2.4 | 1400 |
| | E*1P49C+H4TXV02 | 95G2UH110CV20 | 15 | 12.5 | 41000 | 30700 | 8.5 | 40000 | 3.6 | 27200 | 2.4 | 1400 |
| | E*1P62D+H4TXV02 | 80G1UH135DE20 | 15 | 12.5 | 41000 | 30700 | 8.2 | 40000 | 3.6 | 28000 | 2.4 | 1400 |
| | E*1P62D+H4TXV02 | 95G1UH135DE20 | 15 | 12.5 | 41000 | 30700 | 8.5 | 40000 | 3.6 | 28000 | 2.4 | 1400 |
| | E*1P62D+H4TXV02 | 95G2UH135DV20 | 15 | 12.5 | 41000 | 30700 | 8.5 | 40000 | 3.6 | 28000 | 2.4 | 1400 |
| | E*1P62D+H4TXV02 | EFV20DC | 15 | 12.5 | 41000 | 30700 | 8.2 | 40000 | 3.6 | 28000 | 2.4 | 1400 |
| | EC4X49C | 80G1UH090CE20 | 15 | 12.5 | 41000 | 30700 | 8.5 | 40000 | 3.6 | 27200 | 2.4 | 1400 |
| | EC4X49C | 80G1UH110CE20 | 15 | 12.5 | 41000 | 30700 | 8.5 | 40000 | 3.6 | 27200 | 2.4 | 1400 |
| | EC4X49C | 80G2UH110CV20* | 15 | 12.5 | 41000 | 30700 | 8.5 | 40000 | 3.6 | 27200 | 2.4 | 1400 |
| | EC4X49C | 95G1UH110CE20 | 15 | 12.5 | 41000 | 30700 | 8.5 | 40000 | 3.6 | 27200 | 2.4 | 1400 |
| | EC4X49C | 95G2UH090CE16 | 15 | 12.5 | 41000 | 30700 | 8.2 | 40000 | 3.6 | 27200 | 2.4 | 1400 |
| | EC4X49C | 95G2UH090CV20 | 15 | 12.5 | 41000 | 30700 | 8.5 | 40000 | 3.6 | 27200 | 2.4 | 1400 |
| | EC4X49C | 95G2UH110CE20 | 15 | 12.5 | 41000 | 30700 | 8.2 | 40000 | 3.6 | 27200 | 2.4 | 1400 |
| | EC4X49C | 95G2UH110CV20 | 15 | 12.5 | 41000 | 30700 | 8.5 | 40000 | 3.6 | 27200 | 2.4 | 1400 |
| | EC4X62D | 80G1UH135DE20 | 15 | 12.5 | 41000 | 30700 | 8.2 | 40000 | 3.6 | 28000 | 2.4 | 1400 |
| | EC4X62D | 95G1UH135DE20 | 15 | 12.5 | 41000 | 30700 | 8.5 | 40000 | 3.6 | 28000 | 2.4 | 1400 |
| | EC4X62D | 95G2UH135DV20 | 15 | 12.5 | 41000 | 30700 | 8.5 | 40000 | 3.6 | 28000 | 2.4 | 1400 |
| | EC4X62D | EFV20DC | 15 | 12.5 | 41000 | 30700 | 8.2 | 40000 | 3.6 | 28000 | 2.4 | 1400 |
| | E*1P49C+H4TXV02 | 95G1UH090CE16 | 14.5 | 12.5 | 41000 | 30700 | 8.2 | 40000 | 3.6 | 27200 | 2.4 | 1400 |
| | E*1P49C+H4TXV02 | EFV16CC | 14.5 | 12.5 | 41000 | 30700 | 8.5 | 40000 | 3.6 | 27200 | 2.4 | 1400 |
| | EC4X49C | 95G1UH090CE16 | 14.5 | 12.5 | 41000 | 30700 | 8.2 | 40000 | 3.6 | 27200 | 2.4 | 1400 |
| EC4X49C | EFV16CC | 14.5 | 12.5 | 41000 | 30700 | 8.5 | 40000 | 3.6 | 27200 | 2.4 | 1400 | |
| 4HP15L48P-1 | BCE3M48E****4X | | 15 | 12.5 | 47000 | 34600 | 8.5 | 46000 | 3.4 | 29600 | 2.5 | 1600 |
| | BCE3M48E****X | | 15 | 12.5 | 47000 | 34600 | 8.5 | 46000 | 3.4 | 29600 | 2.5 | 1600 |
| | BCE3M48V****4X | | 14.5 | 12 | 47000 | 34600 | 8.2 | 45500 | 3.4 | 29000 | 2.5 | 1600 |
| | BCE3M48C****4X | | 14 | 12 | 47000 | 34600 | 8.2 | 46000 | 3.4 | 29600 | 2.5 | 1600 |
| | BCE3M48C****P+TXV | | 14 | 12 | 47000 | 34600 | 8.2 | 46000 | 3.4 | 29600 | 2.5 | 1600 |
| | E*1P49C+H4TXV02 | 80G2UH110CV20* | 14.5 | 12.5 | 47000 | 34600 | 8.2 | 45500 | 3.4 | 29600 | 2.5 | 1550 |
| | E*1P49C+H4TXV02 | 95G2UH090CE16 | 14.5 | 12.5 | 47000 | 34600 | 8.2 | 46000 | 3.4 | 29600 | 2.5 | 1600 |
| | E*1P62D+H4TXV02 | 80G1UH135DE20 | 14.5 | 12.5 | 47000 | 34600 | 8.2 | 46000 | 3.4 | 29600 | 2.5 | 1600 |
| | E*1P62D+H4TXV02 | 95G2UH135DV20 | 14.5 | 12.5 | 47000 | 34600 | 8.2 | 46000 | 3.4 | 29600 | 2.5 | 1600 |
| | EC4X49C | 80G2UH110CV20* | 14.5 | 12.5 | 47000 | 34600 | 8.2 | 45500 | 3.4 | 29600 | 2.5 | 1550 |
| | EC4X49C | 95G2UH090CE16 | 14.5 | 12.5 | 47000 | 34600 | 8.2 | 46000 | 3.4 | 29600 | 2.5 | 1600 |

COOLING PERFORMANCE WITH AIR HANDLERS AND FURNACES

| Outdoor Model | Indoor Model | Furnace | Cooling | | | | Heating | | | | CFM | |
|---------------|-------------------|---------------|---------|------|--------------------------|------------------------|---------|-------|-----|-------|-----|------|
| | Evap. Coil | | SEER | EER | AHRI Rated Capacity BTUH | Sensible Capacity BTUH | HSPF | 47° | | 17° | | |
| | | | | | | | | Btuh | COP | Btuh | | COP |
| 4HP15L24P-1 | EC4X62D | 80G1UH135DE20 | 14.5 | 12.5 | 47000 | 34600 | 8.2 | 46000 | 3.4 | 29600 | 2.5 | 1600 |
| | EC4X62D | 95G2UH135DV20 | 14.5 | 12.5 | 47000 | 34600 | 8.2 | 46000 | 3.4 | 29600 | 2.5 | 1600 |
| 4HP15L60P-1 | BCE3M60E****4X | | 15 | 12.5 | 57000 | 42300 | 8.5 | 55000 | 3.4 | 36000 | 2.5 | 1900 |
| | BCE3M60E****X | | 15 | 12.5 | 57000 | 42300 | 8.5 | 55000 | 3.4 | 36000 | 2.5 | 1900 |
| | BCE3M60V****4X | | 14.5 | 12 | 57000 | 42300 | 8.2 | 55000 | 3.4 | 36000 | 2.5 | 1930 |
| | BCE3M60C****4X | | 14 | 12 | 57000 | 42300 | 8.2 | 55000 | 3.4 | 36000 | 2.5 | 1900 |
| | BCE3M60C****P+TXV | | 14 | 12 | 57000 | 42300 | 8.2 | 55000 | 3.4 | 36000 | 2.5 | 1900 |

COOLING PERFORMANCE WITH EXTENDED RATINGS

| Outdoor Model | Indoor Model | Indoor Temp DB/ WB °F | Outdoor Temperature - DB °F | | | | | | | | | | | | | | |
|---------------|--------------|-----------------------|-----------------------------|------|------|--------|------|------|--------|------|------|--------|------|------|--------|------|------|
| | | | 65° | | | 82° | | | 95° | | | 105° | | | 115° | | |
| | | | Btuh | S/T | kW | Btuh | S/T | kW | Btuh | S/T | kW | Btuh | S/T | kW | Btuh | S/T | kW |
| 4HP15L18P | BC*3M18C | 85/72 | 22,261 | 0.67 | 1.12 | 20,875 | 0.68 | 1.33 | 19,815 | 0.68 | 1.49 | 18,509 | 0.69 | 1.67 | 17,203 | 0.70 | 1.84 |
| | | 80/67 | 20,970 | 0.71 | 1.13 | 19,887 | 0.72 | 1.36 | 19,059 | 0.73 | 1.53 | 17,368 | 0.76 | 1.62 | 15,677 | 0.78 | 1.85 |
| | | 75/63 | 19,437 | 0.74 | 1.13 | 17,871 | 0.75 | 1.35 | 16,673 | 0.76 | 1.51 | 15,622 | 0.79 | 1.68 | 14,570 | 0.82 | 1.85 |
| | | 75/57 | 17,011 | 1.00 | 1.15 | 15,956 | 1.00 | 1.36 | 15,150 | 1.00 | 1.52 | 14,333 | 1.00 | 1.68 | 13,515 | 1.00 | 1.85 |
| 4HP15L24P | BC*3M24C | 85/72 | 30,200 | 0.61 | 1.48 | 27,700 | 0.64 | 1.75 | 25,700 | 0.66 | 1.95 | 24,200 | 0.68 | 2.20 | 22,700 | 0.69 | 2.44 |
| | | 80/67 | 27,600 | 0.69 | 1.47 | 25,200 | 0.71 | 1.74 | 23,400 | 0.73 | 1.95 | 22,100 | 0.75 | 2.19 | 20,700 | 0.77 | 2.42 |
| | | 75/63 | 25,100 | 0.72 | 1.47 | 23,300 | 0.74 | 1.74 | 21,800 | 0.76 | 1.95 | 20,500 | 0.78 | 2.19 | 19,100 | 0.80 | 2.43 |
| | | 75/57 | 24,000 | 1.00 | 1.44 | 22,400 | 1.00 | 1.71 | 20,800 | 1.00 | 1.91 | 19,700 | 1.00 | 2.15 | 18,400 | 1.00 | 2.37 |
| 4HP15L30P | BC*3M30C | 85/72 | 35,800 | 0.62 | 1.88 | 33,600 | 0.64 | 2.19 | 31,900 | 0.66 | 2.43 | 30,200 | 0.68 | 2.72 | 28,400 | 0.70 | 3.00 |
| | | 80/67 | 33,500 | 0.69 | 1.86 | 31,000 | 0.72 | 2.18 | 29,000 | 0.74 | 2.42 | 27,600 | 0.76 | 2.70 | 26,200 | 0.78 | 2.99 |
| | | 75/63 | 31,300 | 0.72 | 1.84 | 29,000 | 0.75 | 2.17 | 27,300 | 0.77 | 2.42 | 25,700 | 0.79 | 2.70 | 24,100 | 0.81 | 2.98 |
| | | 75/57 | 29,100 | 1.00 | 1.82 | 27,600 | 1.00 | 2.14 | 25,800 | 1.00 | 2.37 | 24,600 | 1.00 | 2.65 | 23,300 | 1.00 | 2.93 |
| 4HP15L36P | BC*3M36C | 85/72 | 39,700 | 0.61 | 2.21 | 38,100 | 0.64 | 2.59 | 36,900 | 0.67 | 2.89 | 34,600 | 0.70 | 3.21 | 32,400 | 0.73 | 3.54 |
| | | 80/67 | 37,800 | 0.69 | 2.20 | 36,000 | 0.72 | 2.59 | 34,600 | 0.75 | 2.88 | 31,900 | 0.79 | 3.21 | 29,300 | 0.83 | 3.53 |
| | | 75/63 | 36,100 | 0.73 | 2.20 | 33,300 | 0.77 | 2.58 | 31,100 | 0.80 | 2.87 | 29,000 | 0.83 | 3.19 | 26,800 | 0.85 | 3.51 |
| | | 75/57 | 32,900 | 1.00 | 2.16 | 32,000 | 1.00 | 2.54 | 30,800 | 1.00 | 2.82 | 28,400 | 1.00 | 3.15 | 26,100 | 1.00 | 3.46 |
| 4HP15L42P | BC*3M42C | 85/72 | 50,600 | 0.60 | 2.66 | 47,800 | 0.63 | 3.14 | 45,700 | 0.65 | 3.51 | 42,800 | 0.67 | 3.92 | 39,900 | 0.69 | 4.33 |
| | | 80/67 | 48,200 | 0.68 | 2.66 | 44,700 | 0.71 | 3.13 | 42,000 | 0.73 | 3.50 | 39,500 | 0.75 | 3.91 | 37,000 | 0.77 | 4.33 |
| | | 75/63 | 44,200 | 0.72 | 2.64 | 41,300 | 0.74 | 3.12 | 39,200 | 0.75 | 3.49 | 36,600 | 0.77 | 3.89 | 34,000 | 0.79 | 4.30 |
| | | 75/57 | 41,900 | 1.00 | 2.61 | 39,800 | 1.00 | 3.07 | 37,400 | 1.00 | 3.43 | 35,200 | 1.00 | 3.83 | 32,900 | 1.00 | 4.24 |
| 4HP15L48P | BC*3M48C | 85/72 | 51,900 | 0.62 | 2.95 | 51,400 | 0.64 | 3.55 | 51,000 | 0.65 | 4.00 | 48,400 | 0.68 | 4.47 | 45,800 | 0.70 | 4.93 |
| | | 80/67 | 49,800 | 0.68 | 2.95 | 48,800 | 0.70 | 3.55 | 48,000 | 0.72 | 4.00 | 45,500 | 0.75 | 4.45 | 42,900 | 0.77 | 4.90 |
| | | 75/63 | 47,900 | 0.71 | 2.95 | 45,600 | 0.74 | 3.53 | 43,800 | 0.77 | 3.98 | 40,800 | 0.82 | 4.43 | 37,900 | 0.86 | 4.88 |
| | | 75/57 | 43,300 | 1.00 | 2.89 | 43,400 | 1.00 | 3.48 | 42,700 | 1.00 | 3.92 | 40,500 | 1.00 | 4.36 | 38,200 | 1.00 | 4.80 |
| 4HP15L60P | BC*3M60C | 85/72 | 72,000 | 0.62 | 3.68 | 66,300 | 0.65 | 4.34 | 62,000 | 0.67 | 4.85 | 58,000 | 0.69 | 5.47 | 54,000 | 0.71 | 6.09 |
| | | 80/67 | 65,800 | 0.68 | 3.64 | 61,400 | 0.71 | 4.32 | 58,000 | 0.73 | 4.83 | 54,000 | 0.77 | 5.45 | 50,000 | 0.80 | 6.07 |
| | | 75/63 | 60,800 | 0.71 | 3.60 | 56,200 | 0.74 | 4.29 | 52,700 | 0.76 | 4.81 | 49,400 | 0.78 | 5.43 | 46,100 | 0.80 | 6.04 |
| | | 75/57 | 57,200 | 1.00 | 3.57 | 54,600 | 1.00 | 4.23 | 51,600 | 1.00 | 4.73 | 48,100 | 1.00 | 5.34 | 44,500 | 1.00 | 5.95 |

HEATING PERFORMANCE WITH EXTENDED RATINGS

| Outdoor Model | Indoor Model | Outdoor Temp. DB/WB deg. F | | | | | | | | | |
|------------------|--------------|----------------------------|------|--------|------|--------|------|--------|------|--------|------|
| | | 0/0 | | 17/15 | | 35/33 | | 47/43 | | 62/56 | |
| | | Btuh | KW | Btuh | KW | Btuh | KW | Btuh | KW | Btuh | KW |
| 4HP15L18P | BC*3M18C | 8,900 | 1.35 | 11,400 | 1.43 | 14,000 | 1.45 | 18,000 | 1.50 | 21,500 | 1.55 |
| 4HP15L24P | BC*3M24C | 5,800 | 1.50 | 14,000 | 1.80 | 18,700 | 1.80 | 22,000 | 1.90 | 26,900 | 2.00 |
| 4HP15L30P | BC*3M30C | 7,800 | 1.75 | 17,000 | 2.00 | 22,600 | 2.20 | 26,200 | 2.25 | 31,600 | 2.35 |
| 4HP15L36P | BC*3M36C | 9,700 | 2.20 | 21,600 | 2.50 | 29,700 | 2.80 | 34,600 | 2.90 | 41,900 | 3.00 |
| 4HP15L42P | BC*3M42C | 12,700 | 3.15 | 28,800 | 3.50 | 36,000 | 3.40 | 42,000 | 3.50 | 51,000 | 3.65 |
| 4HP15L48P | BC*3M48C | 14,100 | 2.85 | 29,600 | 3.50 | 40,300 | 3.80 | 46,500 | 4.00 | 55,800 | 4.30 |
| 4HP15L60P | BC*3M60C | 18,000 | 3.35 | 36,000 | 4.20 | 48,000 | 4.75 | 55,000 | 5.00 | 65,500 | 5.40 |

All ratings are at indoor temperature of 70 oF
 Extended data shown is actual for models listed and typical for all AHRI matches.

ACCESSORIES

| Description | Where Used | Kit Number |
|----------------------------|----------------------------|---------------------------|
| Crankcase Heater | 18, 24, 30, 36 | 93M04 |
| | 42, 48, 60 | 93M05 (factory Installed) |
| Compressor Low Ambient Kit | 18, 24, 30, 36, 42, 48, 60 | 45F08 |
| Sound Blanket | 18, 24, 30,36 | 14W00 (factory Installed) |
| | 42, 48, 60 | 14W01 (factory Installed) |
| Short Cycle Protector | 18, 24, 30, 36, 42, 48, 60 | control board feature |
| Freezestat | 3/8 tubing | 93G35 |
| | 5/8 tubing | 50A93 |
| Time Delay Relay | 18, 24, 30, 36, 42, 48, 60 | control board feature |
| Loss of Charge Kit | 18, 24, 30, 36, 42, 48, 60 | 84M23 (factory Installed) |
| Hard start kit | 18 | 10J42 |
| | 24, 30, 36, 42, 48, 60 | 88M91 |
| Fossil Fuel | All Models | AFOSL500 |
| TXV | 18, 24, 30 | H4TXV01 |
| | 36, 42, 48 | H4TXV02 |
| | 60 | H4TXV03 |



1-800-448-5872

All specifications and illustrations subject to change without notice and without incurring obligations.