

4HP14

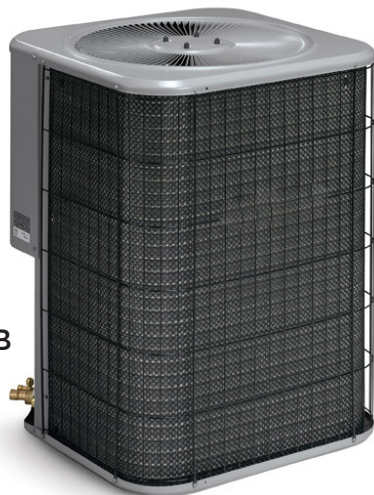
PRODUCT SPECIFICATIONS

14 SEER SPLIT SYSTEM HEAT PUMP

FORM NO. 4HP14-100 (10/2017)



4HP14L



4HP14B



FEATURES AND BENEFITS

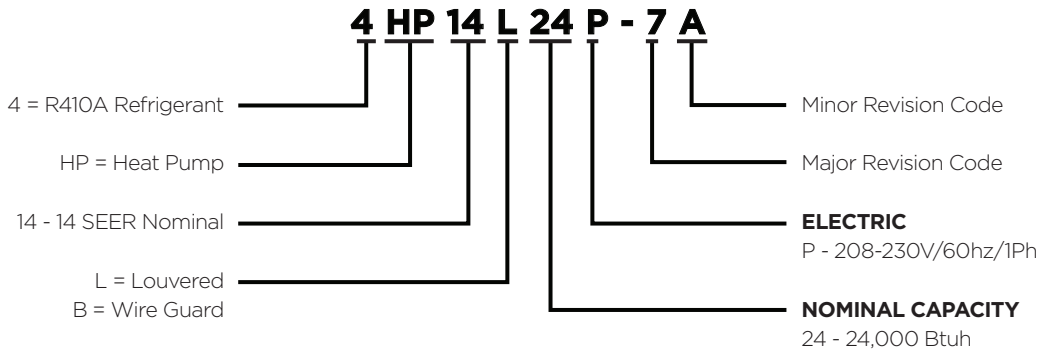
- R410A Refrigerant
- High-quality condenser coil with copper tubing and enhanced louvered fin for maximum heat transfer capacity
- Top discharge directs hot air and sound away from living area and shrubbery
- All units run tested
- Louvered panel coil protection (14L series only)
- Easy access to electrical panels, pre-wired for easy hook-up
- Bi-directional liquid line filter drier factory installed
- Discharge muffler for quiet operation
- Reliable, solid state defrost control
- Defrost control is Quiet Shift™ capable
- Low pressure switch factory installed for loss of charge protection
- Integrated control with LED diagnostics
- Short cycle protection factory installed
- All units ETL and ETLC approved and AHRI Certified
- Charged for 15 feet of interconnecting tubing

WARRANTY

10 year limited warranty on compressor, 10 year limited warranty on all parts, extended warranty available*

**Warranty provides for a total of 10 years of limited warranty coverage (Standard 5-year limited parts warranty plus an additional 5-year limited extended parts warranty). Warranty must be registered online within 60 days of installation to qualify for 10-year coverage. Unregistered equipment defaults to 5-year coverage. Lifetime limited heat exchanger warranty applies to registered equipment only (Standard 20 years with no online registration). See full warranty at www.alliedair.com for terms, conditions and exclusions.*

MODEL NUMBER GUIDE



PHYSICAL AND ELECTRICAL DATA

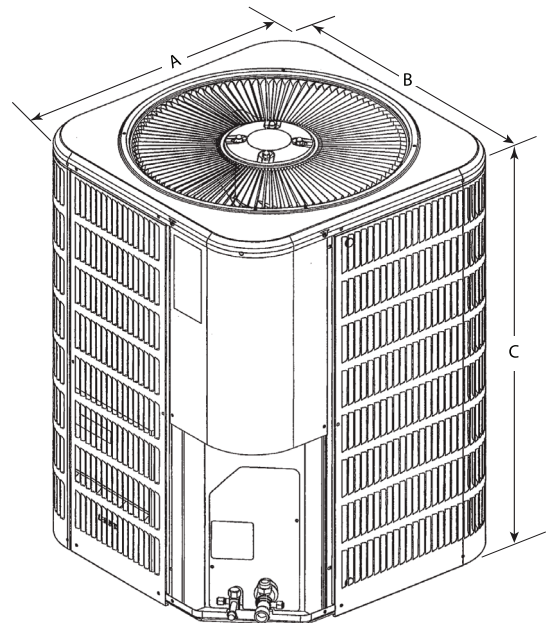
Model	Voltage/ Hz/ Phase	Voltage Range	Min. Circuit Amp.	Max. Over Current Device (amps)	Compressor		Outdoor Fan Motor			Refrig. Charge+ (oz.)	Sound Rating (dBA)
					Rated Load (amps)	Locked Rotor (amps)	Rated Load (amps)	Rated HP	Nom. RPM		
4HP14L18P	208-230/60/1	197-253	12.2	20	9.0	48	1.0	1/6	825	93	74
4HP14B18P											
4HP14L24P	208-230/60/1	197-253	17.9	30	13.5	58	1.1	1/6	825	94	76
4HP14B24P											
4HP14L30P	208-230/60/1	197-253	17.1	25	12.8	64	1.1	1/6	825	90	76
4HP14B30P											
4HP14L36P	208-230/60/1	197-253	18.7	30	14.1	77	1.1	1/6	825	150	76
4HP14B36P											
4HP14L42P	208-230/60/1	197-253	24.2	40	18.0	112	1.8	1/3	825	184	79
4HP14B42P											
4HP14L48P	208-230/60/1	197-253	29	50	21.8	117	1.8	1/3	825	161	80
4HP14B48P											
4HP14L60P	208-230/60/1	197-253	29.4	50	22.1	125	1.8	1/3	825	197	80
4HP14B60P											

Note:
Weights listed are unit weights with packaging
+ Factory charged for 15 feet of line set. Adjust per installation instructions.

UNIT DIMENSIONS & WEIGHT

Model	Dimensions (inch)			Shipping Weight (lbs.)
	A - Width	B - Depth	C - Height	
4HP14L18P	28.25	28.25	37	175
4HP14B18P				
4HP14L24P	28.25	28.25	37	177
4HP14B24P				
4HP14L30P	28.25	28.25	37	178
4HP14B30P				
4HP14L36P	28.25	28.25	33	202
4HP14B36P				
4HP14L42P	32.25	32.25	37	272
4HP14B42P				
4HP14L48P	32.25	32.25	37	273
4HP14B48P				
4HP14L60P	32.25	32.25	43	297
4HP14B60P				

Note:
Dimensions listed are unit sizes w/o packaging



COOLING PERFORMANCE WITH EVAPORATOR COILS

Outdoor Model		Indoor Model		Cooling				Heating				CFM	Refrigerant Connection				Refrig Line Size		Indoor Expansion Device		
		Evap. Coil ³		SEER	EER	AHRI Rated Capacity ¹ BTUH	Sensible Capacity BTUH	HSPF	47°		17°		Outdoor		Indoor		Suction	Liquid	Piston ²	TXV	
									Btuh	COP	Btuh		COP	Suction	Liquid	Suction					Liquid
4HP14L18P	4HP14B18P	E*1P23A+H4TXV01		14.00	12.00	18000	13,200	8.2	17,000	3.50	10,000	2.30	650	3/4	3/8	3/4	3/8	3/4	3/8	H4TXV01	
4HP14L24P	4HP14B24P	E*1P24(A,B)+H4TXV01+TDR		14.00	11.5	23400	17,000	8.2	22000	3.40	14000	2.30	850	3/4	3/8	3/4	3/8	3/4	3/8		
		E*1P29(A,B)+H4TXV01+TDR																			
4HP14L36P	4HP14B36P	E*1P43B+H4TXV02		14.00	12.00	34000	25,100	8.2	33800	3.50	21,800	2.50	1250	7/8	3/8	3/4	3/8	7/8	3/8	N/A	
		E*1P49C+H4TXV02																			
4HP14L42P	4HP14B42P	E*1P49C+H4TXV02+TDR		14.00	12.0	41,000	30,200	8.2	40,000	3.50	28,800	2.40	1400	7/8	3/8	7/8	3/8	7/8	3/8	H4TXV02	
		E*1P62D+H4TXV02+TDR																			
4HP14L48P	4HP14B48P	E*1P49C+H4TXV02+TDR		14.00	12.0	47,000	34,600	8.2	46,000	3.40	29,600	2.50	1600	7/8	3/8	7/8	3/8	7/8	3/8	H4TXV03	
		E*1P62D+H4TXV02+TDR																			
4HP14L60P	4HP14B60P	E*1P62C+H4TXV03+TDR		14.00	12.0	57,000	42,100	8.2	55,000	3.40	36,000	2.50	1900	7/8	3/8	7/8	3/8	11/8	3/8	H4TXV03	
		E*1P62D+H4TXV03+TDR																			

Note:

1 Certified in accordance with Unitary Air Conditioner Certification Program, which is based on AHRI Standard 210/240

2 Required to achieve AHRI rating. If NA (Not Applicable) is in the piston column, then TXV is required.

3 A blower time delay relay is required to achieve AHRI rating. This feature is standard on all Allied Air Enterprises furnace and AH products

LINE SETS

Outdoor Model		Condenser Refrigerant Connection		Refrigerant Line Size	
		Outdoor			
		Suction	Liquid	Suction	Liquid
4HP14L18P	4HP14B18P	3/4	3/8	3/4	3/8
4HP14L24P	4HP14B24P	3/4	3/8	3/4	3/8
4HP14L30P	4HP14B30P	3/4	3/8	3/4	3/8
4HP14L36P	4HP14B36P	7/8	3/8	7/8	3/8
4HP14L42P	4HP14B42P	7/8	3/8	7/8	3/8
4HP14L48P	4HP14B48P	7/8	3/8	7/8	3/8
4HP14L60P	4HP14B60P	7/8	3/8	11/8	3/8

COOLING PERFORMANCE WITH AIR HANDLERS AND FURNACES

Outdoor Model	Indoor Model	Furnace	Cooling				Heating				CFM	
	Evap. Coil ³		SEER	EER	AHRI Rated Capacity ¹ BTUH	Sensible Capacity BTUH	HSPF	47°		17°		
								Btuh	COP	Btuh		COP
4HP14L18P & 4HP14B18P	BC*3M18C****P+TXV		14.00	12.00	18000	13,200	8.20	17000	3.50	10000	2.30	650
	BC*3M24E****P+TXV		15.10	12.50	18000	13,200	8.20	17000	3.50	10000	2.30	650
	BCS2M24V****P+TXV		16.00	13.00	18000	13,200	8.20	17000	3.50	10000	2.30	650
	E*1P23A+H4TXV01	80G1DF045AE12	15.10	12.50	18000	13,200	8.20	17000	3.50	10000	2.30	650
	E*1P23A+H4TXV01	80G1UHO45AE12	16.00	13.00	18000	13,200	8.20	17000	3.50	10000	2.30	650
	E*1P23A+H4TXV01	80G2UHO70AV12	16.00	13.00	18000	13,200	8.20	17000	3.50	10000	2.30	650
	E*1P23B+H4TXV01	80G1DF070BE12	15.10	12.50	18000	13,200	8.20	17000	3.50	10000	2.30	650
	E*1P23B+H4TXV01	80G1UHO70BE12	15.10	12.50	18000	13,200	8.20	17000	3.50	10000	2.30	650
	E*1P23B+H4TXV01	80G2UHO90BV16	16.00	13.00	18000	13,200	8.20	17000	3.50	10000	2.30	650
	E*1P23B+H4TXV01	95G1DF045BE12	15.10	12.50	18000	13,200	8.20	17000	3.50	10000	2.30	650
	E*1P23B+H4TXV01	95G2DF045BV12	15.10	12.50	18000	13,200	8.20	17000	3.50	10000	2.30	650
	E*1P23B+H4TXV01	95G2DF070BV16	15.10	12.50	18000	13,200	8.20	17000	3.50	10000	2.30	650
	E*1P23B+H4TXV01	95G1UHO45BE12	15.10	12.50	18000	13,200	8.20	17000	3.50	10000	2.30	650
	E*1P23B+H4TXV01	95G1UHO70BE12	15.10	12.50	18000	13,200	8.20	17000	3.50	10000	2.30	650
	E*1P23B+H4TXV01	95G2DF045BE12	15.10	12.50	18000	13,200	8.20	17000	3.50	10000	2.30	650
	E*1P23B+H4TXV01	95G2DF070BE16	15.10	12.50	18000	13,200	8.20	17000	3.50	10000	2.30	650
	E*1P23B+H4TXV01	95G2UHO45BE12	15.10	12.50	18000	13,200	8.20	17000	3.50	10000	2.30	650
	E*1P23B+H4TXV01	95G2UHO70BE12	15.10	12.50	18000	13,200	8.20	17000	3.50	10000	2.30	650
	E*1P23B+H4TXV01	95G2UHO45BV12	15.10	12.50	18000	13,200	8.20	17000	3.50	10000	2.30	650
	E*1P23B+H4TXV01	95G2UHO70BV12	16.00	13.00	18000	13,200	8.20	17000	3.50	10000	2.30	650
	E*1P23B+H4TXV01	EFV08BC	16.00	13.00	18000	13,200	8.20	17000	3.50	10000	2.30	650
	E*1P24A+H4TXV01	80G1DF045AE12	15.10	12.50	18000	13,200	8.20	17000	3.50	10000	2.30	650
	E*1P24A+H4TXV01	80G1UHO45AE12	15.10	12.50	18000	13,200	8.20	17000	3.50	10000	2.30	650
	E*1P24A+H4TXV01	80G2UHO70AV12	16.00	13.00	18000	13,200	8.20	17000	3.50	10000	2.30	650
	E*1P24B+H4TXV01	80G1DF070BE12	15.10	12.50	18000	13,200	8.20	17000	3.50	10000	2.30	650
	E*1P24B+H4TXV01	80G1UHO70BE12	15.10	12.50	18000	13,200	8.20	17000	3.50	10000	2.30	650
	E*1P24B+H4TXV01	80G2UHO90BV16	15.10	12.50	18000	13,200	8.20	17000	3.50	10000	2.30	650
	E*1P24B+H4TXV01	95G1DF045BE12	15.10	12.50	18000	13,200	8.20	17000	3.50	10000	2.30	650
	E*1P24B+H4TXV01	95G1UHO45BE12	15.10	12.50	18000	13,200	8.20	17000	3.50	10000	2.30	650
	E*1P24B+H4TXV01	95G1UHO70BE12	15.10	12.50	18000	13,200	8.20	17000	3.50	10000	2.30	650
E*1P24B+H4TXV01	95G2UHO45BV12	15.10	12.50	18000	13,200	8.20	17000	3.50	10000	2.30	650	
E*1P24B+H4TXV01	95G2UHO70BV12	15.10	12.50	18000	13,200	8.20	17000	3.50	10000	2.30	650	
E*1P24B+H4TXV01	EFV08BC	15.10	12.50	18000	13,200	8.20	17000	3.50	10000	2.30	650	
4HP14L24P & 4HP14B24P	BCE3M24C****P+TXV		14.00	12.00	23400	17,100	8.20	21600	3.4	14000	2.30	850
	BCS3M24C****P+TXV		14.00	12.00	23400	17,100	8.20	21600	3.4	14000	2.30	850
	BCS3M30E****P+H4TXV01		15.00	12.50	23400	17,100	8.50	21600	3.4	14000	2.30	850
	BCS2M24V****P+TXV		15.00	12.50	23400	17,100	8.50	21600	3.4	13600	2.30	850
	E*1P23A+H4TXV01	80G2UHO70AV12*	15.00	12.50	23400	17,100	8.20	21600	3.4	14000	2.30	850
	E*1P23A+H4TXV01	80G1DF045AE12	15.00	12.50	23400	17,100	8.20	21600	3.4	14000	2.30	850
	E*1P23A+H4TXV01	80G1UHO45AE12	14.50	12.00	23400	17,100	8.20	21600	3.4	14000	2.30	850
	E*1P23B+H4TXV01	95G2UHO45BV12	15.00	12.50	23400	17,100	8.20	21600	3.4	14000	2.30	850
	E*1P23B+H4TXV01	80G1DF070BE12	15.00	12.50	23400	17,100	8.20	21600	3.4	14000	2.30	850
	E*1P23B+H4TXV01	95G2UHO70BV12	15.00	12.50	23400	17,100	8.20	21600	3.4	14000	2.30	850

Note:

1. Certified in accordance with Unitary Air Conditioner Certification Program, which is based on AHRI Standard 210/240
2. Required to achieve AHRI rating. If NA (Not Applicable) is in the piston column, then TXV is required.
3. A blower time delay relay is required to achieve AHRI rating. This feature is standard on all Allied Air Enterprises furnace and AH products

COOLING PERFORMANCE WITH AIR HANDLERS AND FURNACES

Outdoor Model	Indoor Model	Furnace	Cooling				Heating				CFM	
	Evap. Coil ³		SEER	EER	AHRI Rated Capacity ¹ BTUH	Sensible Capacity BTUH	HSPF	47°		17°		
								Btuh	COP	Btuh		COP
4HP14L24P & 4HP14B24P	E*1P23B+H4TXV01	95G2DF070BV16	15.00	12.50	23400	17,100	8.20	21600	3.4	14000	2.30	850
	E*1P23B+H4TXV01	80G1UH070BE12	15.00	12.50	23400	17,100	8.20	21600	3.4	14000	2.30	850
	E*1P23B+H4TXV01	95G1DF045BE12	14.50	12.00	23400	17,100	8.20	21600	3.4	14000	2.30	850
4HP14L24P & 4HP14B24P	E*1P23B+H4TXV01	80G2UH090BV16*	15.00	12.50	23400	17,100	8.20	21600	3.4	14000	2.30	850
	E*1P23B+H4TXV01	EFV08BC	15.00	12.50	23400	17,100	8.20	21600	3.4	14000	2.30	850
	E*1P23B+H4TXV01	95G1UH070BE12	14.50	12.00	23400	17,100	8.20	21600	3.4	14000	2.30	850
	E*1P23B+H4TXV01	95G1UH045BE12	14.50	12.00	23400	17,100	8.20	21600	3.4	14000	2.30	850
	E*1P23B+H4TXV01	95G2DF045BV12	15.00	12.50	23400	17,100	8.20	21600	3.4	14000	2.30	850
	E*1P24A+H4TXV01	80G2UH070AV12*	15.00	12.50	23400	17,100	8.50	21600	3.4	14000	2.30	850
	E*1P24A+H4TXV01	80G1DF045AE12	15.00	12.50	23400	17,100	8.50	21600	3.4	14000	2.30	850
	E*1P24A+H4TXV01	80G1UH045AE12	14.50	12.00	23400	17,100	8.50	21600	3.4	14000	2.30	850
	E*1P24B+H4TXV01	95G2UH045BV12	15.00	12.50	23400	17,100	8.50	21600	3.4	14000	2.30	850
	E*1P24B+H4TXV01	95G1UH045BE12	14.50	12.00	23400	17,100	8.50	21600	3.4	14000	2.30	850
	E*1P24B+H4TXV01	95G2DF045BV12	15.00	12.50	23400	17,100	8.50	21600	3.4	14000	2.30	850
	E*1P24B+H4TXV01	95G1UH070BE12	14.50	12.00	23400	17,100	8.50	21600	3.4	14000	2.30	850
	E*1P24B+H4TXV01	95G2DF070BV16	15.00	12.50	23400	17,100	8.50	21600	3.4	14000	2.30	850
	E*1P24B+H4TXV01	95G1DF045BE12	14.50	12.00	23400	17,100	8.50	21600	3.4	14000	2.30	850
	E*1P24B+H4TXV01	80G2UH090BV16*	15.00	12.50	23400	17,100	8.50	21600	3.4	14000	2.30	850
	E*1P24B+H4TXV01	EFV08BC	15.00	12.50	23400	17,100	8.50	21600	3.4	14000	2.30	850
	E*1P24B+H4TXV01	80G1DF070BE12	15.00	12.50	23400	17,100	8.50	21600	3.4	14000	2.30	850
	E*1P24B+H4TXV01	95G2UH070BV12	15.00	12.50	23400	17,100	8.50	21600	3.4	14000	2.30	850
	E*1P24B+H4TXV01	80G1UH070BE12	15.00	12.50	23400	17,100	8.50	21600	3.4	14000	2.30	850
	E*1P29A+H4TXV01	80G1DF045AE12	15.00	12.50	23400	17,100	8.50	21600	3.4	14000	2.30	850
	E*1P29A+H4TXV01	80G2UH070AV12*	15.00	12.50	23400	17,100	8.50	21600	3.4	14000	2.30	850
	E*1P29A+H4TXV01	80G1UH045AE12	14.50	12.00	23400	17,100	8.50	21600	3.4	14000	2.30	850
	E*1P29B+H4TXV01	95G2UH045BV12	15.00	12.50	23400	17,100	8.50	21600	3.4	14000	2.30	850
	E*1P29B+H4TXV01	95G1UH045BE12	14.50	12.00	23400	17,100	8.50	21600	3.4	14000	2.30	850
	E*1P29B+H4TXV01	80G1UH070BE12	15.00	12.50	23400	17,100	8.50	21600	3.4	14000	2.30	850
	E*1P29B+H4TXV01	95G1DF045BE12	14.50	12.00	23400	17,100	8.50	21600	3.4	14000	2.30	850
	E*1P29B+H4TXV01	80G1DF070BE12	15.00	12.50	23400	17,100	8.50	21600	3.4	14000	2.30	850
	E*1P29B+H4TXV01	95G2UH070BV12	15.00	12.50	23400	17,100	8.50	21600	3.4	14000	2.30	850
	E*1P29B+H4TXV01	95G1UH070BE12	14.50	12.00	23400	17,100	8.50	21600	3.4	14000	2.30	850
	E*1P29B+H4TXV01	80G2UH090BV16*	15.00	12.50	23400	17,100	8.50	21600	3.4	14000	2.30	850
	E*1P29B+H4TXV01	EFV08BC	15.00	12.50	23400	17,100	8.50	21600	3.4	14000	2.30	850
	E*1P29B+H4TXV01	95G2DF070BV16	15.00	12.50	23400	17,100	8.50	21600	3.4	14000	2.30	850
E*1P29B+H4TXV01	95G2DF045BV12	15.00	12.50	23400	17,100	8.50	21600	3.4	14000	2.30	850	

Note:

1. Certified in accordance with Unitary Air Conditioner Certification Program, which is based on AHRI Standard 210/240
2. Required to achieve AHRI rating. If NA (Not Applicable) is in the piston column, then TXV is required.
3. A blower time delay relay is required to achieve AHRI rating. This feature is standard on all Allied Air Enterprises furnace and AH products

COOLING PERFORMANCE WITH AIR HANDLERS AND FURNACES

Outdoor Model	Indoor Model	Furnace	Cooling				Heating				CFM	
	Evap. Coil ³		SEER	EER	AHRI Rated Capacity ¹ BTUH	Sensible Capacity BTUH	HSPF	47°		17°		
								Btuh	COP	Btuh		COP
4HP14L30P & 4HP14B30P	BCE3M30C****P+TXV		14.00	12.00	28000	21,500	8.20	26000	3.4	17000	2.50	950
	BCS3M30C****P+TXV		14.00	12.00	28600	21,500	8.20	26000	3.4	17000	2.50	1050
	BCS2M36V****P+TXV		15.00	12.50	28600	21,500	8.50	26000	3.6	17000	2.50	1050
	BCS3M30E****P+H4TXV01		15.00	12.50	28600	21,500	8.50	26000	3.6	17000	2.50	1050
	E*1P29A+H4TXV01	80G2UH070AV12*	15.00	12.50	28600	21,500	8.50	26000	3.6	17000	2.50	1050
	E*1P29A+H4TXV01	80G1DF045AE12	14.50	12.50	28600	21,500	8.50	26000	3.6	17000	2.50	1050
	E*1P29B+H4TXV01	80G1DF070BE12	14.50	12.50	28600	21,500	8.50	26000	3.6	17000	2.50	1050
	E*1P29B+H4TXV01	80G1DF090BE16	14.50	12.50	28600	21,500	8.50	26000	3.6	17000	2.50	1050
	E*1P29B+H4TXV01	95G1UH070BE12	14.00	12.00	28600	21,500	8.50	26000	3.6	17000	2.50	1070
	E*1P29B+H4TXV01	80G1UH090BE16	14.50	12.50	28600	21,500	8.50	26000	3.6	17000	2.50	1070
	E*1P29B+H4TXV01	95G2UH070BV12	14.50	12.50	28600	21,500	8.50	26000	3.6	17000	2.50	1050
	E*1P29B+H4TXV01	95G2DF045BV12	14.50	12.50	28600	21,500	8.50	26000	3.6	17000	2.50	1050
	E*1P29B+H4TXV01	80G1UH070BE12	14.50	12.50	28600	21,500	8.50	26000	3.6	17000	2.50	1050
4HP14L30P & 4HP14B30P	E*1P29B+H4TXV01	80G2UH090BV16*	14.50	12.50	28600	21,500	8.50	26000	3.6	17000	2.50	1050
	E*1P29B+H4TXV01	EFV12BC	14.50	12.50	28600	21,500	8.50	26000	3.6	17000	2.50	1050
	E*1P30A+H4TXV01	80G2UH070AV12*	14.50	12.50	28000	21,500	8.50	26000	3.6	15600	2.50	1050
	E*1P30B+H4TXV01	80G1UH090BE16	14.00	12.00	28000	21,500	8.50	26000	3.6	15600	2.50	1050
	E*1P30C+H4TXV01	EFV16CC	14.50	12.50	28000	21,500	8.50	26000	3.6	15600	2.50	1050
	E*1P30C+H4TXV01	95G2UH090CV12	14.50	12.50	28000	21,500	8.50	26000	3.6	15600	2.50	1050
	E*1P30C+H4TXV01	95G2DF090CV20	14.50	12.00	28000	21,500	8.50	26000	3.6	15600	2.50	1050
	E*1P30C+H4TXV01	95G1UH090CE16	14.50	12.00	28000	21,500	8.50	26000	3.6	15600	2.50	1050
	E*1P36A+H4TXV01	80G1DF045AE12	14.50	12.50	28600	21,500	8.50	26000	3.6	17000	2.50	1050
	E*1P36A+H4TXV01	80G2UH070AV12*	15.00	12.50	28600	21,500	8.50	26000	3.6	17000	2.50	1050
	E*1P36B+H4TXV01	80G2UH090BV16*	14.50	12.50	28600	21,500	8.50	26000	3.6	17000	2.50	1050
	E*1P36B+H4TXV01	EFV12BC	14.50	12.50	28600	21,500	8.50	26000	3.6	17000	2.50	1050
	E*1P36B+H4TXV01	80G1UH070BE12	14.50	12.50	28600	21,500	8.50	26000	3.6	17000	2.50	1050
	E*1P36B+H4TXV01	80G1UH090BE16	14.00	12.00	28600	21,500	8.50	26000	3.6	17000	2.50	1070
	E*1P36B+H4TXV01	95G1UH070BE12	14.00	12.00	28600	21,500	8.20	26000	3.6	17000	2.50	1070
	E*1P36B+H4TXV01	80G1DF070BE12	14.50	12.50	28600	21,500	8.50	26000	3.6	17000	2.50	1050
	E*1P36B+H4TXV01	95G2UH070BV12	14.50	12.50	28600	21,500	8.50	26000	3.6	17000	2.50	1050
	E*1P36B+H4TXV01	95G2DF045BV12	14.50	12.50	28600	21,500	8.50	26200	3.6	17000	2.50	1050
	E*1P36B+H4TXV01	80G1DF090BE16	14.50	12.50	28600	21,500	8.50	26000	3.6	17000	2.50	1050
	E*1P36C+H4TXV01	95G2DF090CV20	14.50	12.50	28600	21,500	8.50	26200	3.6	17000	2.50	1050
	E*1P36C+H4TXV01	95G2DF110CV20	14.50	12.50	28600	21,500	8.50	26200	3.6	17000	2.50	1050
	E*1P36C+H4TXV01	95G2UH090CV12	15.00	12.50	28600	21,500	8.50	26000	3.6	17000	2.50	1050
	E*1P36C+H4TXV01	95G1UH090CE16	14.50	12.50	28600	21,500	8.50	26000	3.6	17000	2.50	1050
	E*1P36C+H4TXV01	95G1DF090CE16	14.50	12.50	28600	21,500	8.50	26200	3.6	17000	2.50	1050
	E*1P36C+H4TXV01	EFV16CC	14.50	12.50	28600	21,500	8.50	26000	3.6	17000	2.50	1050

Note:

1. Certified in accordance with Unitary Air Conditioner Certification Program, which is based on AHRI Standard 210/240
2. Required to achieve AHRI rating. If NA (Not Applicable) is in the piston column, then TXV is required.
3. A blower time delay relay is required to achieve AHRI rating. This feature is standard on all Allied Air Enterprises furnace and AH products

COOLING PERFORMANCE WITH AIR HANDLERS AND FURNACES

Outdoor Model	Indoor Model	Furnace	Cooling				Heating				CFM	
	Evap. Coil ³		SEER	EER	AHRI Rated Capacity ¹ BTUH	Sensible Capacity BTUH	HSPF	47°		17°		
								Btuh	COP	Btuh		COP
4HP14L36P & 4HP14B36P	BCE3M36C****P+TXV		14.00	12.00	34000	26,000	8.20	33800	3.5	21800	2.50	1250
	BCS3M36C****P+TXV		14.00	12.00	34000	26,000	8.20	33800	3.5	21800	2.50	1250
	BCS3M36E****P+H4TXV02		15.00	12.50	34000	26,000	8.50	33800	3.6	21800	2.50	1250
	BCS2M36V****P+TXV		15.00	12.50	34000	26,000	8.50	33800	3.6	21600	2.50	1250
	E*1P36(B,C)+H4TXV02+TDR	95G2UH070BV12	14.00	12.00	34000	26,000	8.20	33800	3.6	21000	2.50	1250
	E*1P36A+H4TXV02	80G2UH070AV12*	14.50	12.50	34000	26,000	8.50	33800	3.6	21200	2.50	1250
	E*1P36B+H4TXV02	EFV12BC	14.50	12.50	34000	26,000	8.50	33800	3.6	21200	2.50	1250
	E*1P36B+H4TXV02	80G1UH090BE16	14.50	12.50	34000	26,000	8.50	33800	3.6	21200	2.50	1250
	E*1P36B+H4TXV02	80G1DF090BE16	14.00	12.00	34000	26,000	8.50	33800	3.6	21200	2.50	1250
	E*1P36C+H4TXV02	80G1DF110CE20	14.00	12.00	34000	26,000	8.50	33800	3.6	21200	2.50	1250
	E*1P36C+H4TXV02	95G1DF110CE20	14.00	12.00	34000	26,000	8.50	33800	3.6	21200	2.50	1250
	E*1P36C+H4TXV02	95G2DF090CV20	14.50	12.50	34000	26,000	8.20	33800	3.6	21200	2.50	1250
	E*1P36C+H4TXV02	80G1UH110CE20	14.00	12.00	34000	26,000	8.50	33800	3.6	21200	2.50	1250
	E*1P36C+H4TXV02	95G2UH090CV20	14.50	12.50	34000	26,000	8.50	33800	3.6	21200	2.50	1250
	E*1P36C+H4TXV02	95G1UH110CE20	14.00	12.00	34000	26,000	8.50	33800	3.6	21200	2.50	1250
	E*1P36C+H4TXV02	80G2UH110CV20*	14.50	12.50	34000	26,000	8.50	33800	3.6	21200	2.50	1250
	E*1P36C+H4TXV02	EFV16CC	15.00	12.50	34000	26,000	8.50	33800	3.6	21000	2.50	1250
	E*1P36C+H4TXV02	95G2UH110CV20	14.50	12.50	34000	26,000	8.50	33800	3.6	21200	2.50	1250
	E*1P36C+H4TXV02	80G1UH090CE20	14.00	12.00	34000	26,000	8.50	33800	3.6	21200	2.50	1250
	E*1P36C+H4TXV02	95G2UH090CV12	14.50	12.50	34000	26,000	8.20	33800	3.6	21200	2.50	1250
E*1P43(B,C)+H4TXV02+TDR	95G2UH070BV12	14.00	12.00	34000	26,000	8.20	33800	3.6	21000	2.50	1250	
4HP14L36P & 4HP14B36P	E*1P43B+H4TXV02	80G1UH090BE16	14.50	12.50	34000	26,000	8.50	33800	3.6	21800	2.50	1250
	E*1P43B+H4TXV02	80G1DF090BE16	14.00	12.00	34000	26,000	8.50	33800	3.6	21800	2.50	1250
	E*1P43B+H4TXV02	EFV12BC	14.50	12.50	34000	26,000	8.50	33800	3.6	21800	2.50	1250
	E*1P43C+H4TXV02	80G2UH110CV20*	14.50	12.50	34000	26,000	8.50	33800	3.6	21800	2.50	1250
	E*1P43C+H4TXV02	95G2UH090CV12	14.50	12.50	34000	26,000	8.50	33800	3.6	21800	2.50	1250
	E*1P43C+H4TXV02	EFV16CC	15.00	12.50	34000	26,000	8.50	33800	3.6	21800	2.50	1250
	E*1P43C+H4TXV02	80G1DF110CE20	14.50	12.50	34000	26,000	8.50	33800	3.6	21800	2.50	1250
	E*1P43C+H4TXV02	95G1DF110CE20	14.00	12.00	34000	26,000	8.50	33800	3.6	21800	2.50	1250
	E*1P43C+H4TXV02	80G1UH090CE20	14.50	12.50	34000	26,000	8.50	33800	3.6	21800	2.50	1250
	E*1P43C+H4TXV02	95G2UH090CV20	14.50	12.50	34000	26,000	8.50	33800	3.6	21800	2.50	1250
	E*1P43C+H4TXV02	95G1UH110CE20	14.00	12.00	34000	26,000	8.50	33800	3.6	21800	2.50	1250
	E*1P43C+H4TXV02	95G2DF090CV20	14.00	12.50	34000	26,000	8.50	33800	3.6	21800	2.50	1250
	E*1P43C+H4TXV02	80G1UH110CE20	14.50	12.50	34000	26,000	8.50	33800	3.6	21800	2.50	1250
	E*1P43C+H4TXV02	95G2DF110CV20	14.00	12.50	34000	26,000	8.50	33800	3.6	21800	2.50	1250
	E*1P43C+H4TXV02	95G2UH110CV20	14.50	12.50	34000	26,000	8.50	33800	3.6	21800	2.50	1250
4HP14L42P & 4HP14B42P	BCE3M42C****P+TXV		14.00	12.00	41000	30,700	8.20	40000	3.5	28800	2.40	1400
	BCS3M42C****P+TXV		14.00	12.00	41000	30,700	8.20	40000	3.5	28800	2.40	1400
	BCS3M42E****P+H4TXV02		15.00	12.50	41000	30,700	8.50	40000	3.6	28800	2.40	1400
	BCS2M42V****P+TXV		15.00	12.50	41000	30,700	8.50	40000	3.6	28000	2.40	1400
	E*1P49C+H4TXV02	95G2DF110CE20	15.00	12.50	41000	30,700	8.50	40000	3.6	27200	2.40	1400
	E*1P49C+H4TXV02	95G2UH110CE20	15.00	12.50	41000	30,700	8.20	40000	3.6	27200	2.40	1400
	E*1P49C+H4TXV02	95G2DF090CE16	15.00	12.50	41000	30,700	8.50	40000	3.6	27200	2.40	1400
	E*1P49C+H4TXV02	95G2UH090CE16	15.00	12.50	41000	30,700	8.20	40000	3.6	27200	2.40	1400

Note:

1. Certified in accordance with Unitary Air Conditioner Certification Program, which is based on AHRI Standard 210/240
2. Required to achieve AHRI rating. If NA (Not Applicable) is in the piston column, then TXV is required.
3. A blower time delay relay is required to achieve AHRI rating. This feature is standard on all Allied Air Enterprises furnace and AH products

COOLING PERFORMANCE WITH AIR HANDLERS AND FURNACES

Outdoor Model	Indoor Model	Furnace	Cooling				Heating				CFM	
	Evap. Coil ³		SEER	EER	AHRI Rated Capacity ¹ BTUH	Sensible Capacity BTUH	HSPF	47°		17°		
								Btuh	COP	Btuh		COP
4HP14L42P & 4HP14B42P	E*1P49C+H4TXV02	95G2DF090CV20	14.50	12.50	41000	30,700	8.20	40000	3.6	27200	2.40	1400
	E*1P49C+H4TXV02	80G1UH110CE20	15.00	12.50	41000	30,700	8.50	40000	3.6	27200	2.40	1400
	E*1P49C+H4TXV02	95G2DF110CV20	14.50	12.50	41000	30,700	8.20	40000	3.6	27200	2.40	1400
	E*1P49C+H4TXV02	95G1DF110CE20	15.00	12.50	41000	30,700	8.50	40000	3.6	27200	2.40	1400
	E*1P49C+H4TXV02	95G1UH090CE16	14.50	12.50	41000	30,700	8.20	40000	3.6	27200	2.40	1400
	E*1P49C+H4TXV02	80G1UH090CE20	15.00	12.50	41000	30,700	8.50	40000	3.6	27200	2.40	1400
	E*1P49C+H4TXV02	95G2UH110CV20	15.00	12.50	41000	30,700	8.50	40000	3.6	27200	2.40	1400
	E*1P49C+H4TXV02	95G1UH110CE20	15.00	12.50	41000	30,700	8.50	40000	3.6	27200	2.40	1400
	E*1P49C+H4TXV02	80G1DF110CE20	15.00	12.50	41000	30,700	8.50	40000	3.6	27200	2.40	1400
	E*1P49C+H4TXV02	95G2UH090CV20	15.00	12.50	41000	30,700	8.50	40000	3.6	27200	2.40	1400
	E*1P49C+H4TXV02	80G2UH110CV20*	15.00	12.50	41000	30,700	8.50	40000	3.6	27200	2.40	1400
	E*1P49C+H4TXV02	EFV16CC	14.50	12.50	41000	30,700	8.50	40000	3.6	27200	2.40	1400
	E*1P62D+H4TXV02	95G2UH135DV20	15.00	12.50	41000	30,700	8.50	40000	3.6	28000	2.40	1400
	E*1P62D+H4TXV02	EFV20DC	15.00	12.50	41000	30,700	8.20	40000	3.6	28000	2.40	1400
	E*1P62D+H4TXV02	95G1UH135DE20	15.00	12.50	41000	30,700	8.50	40000	3.6	28000	2.40	1400
E*1P62D+H4TXV02	80G1UH135DE20	15.00	12.50	41000	30,700	8.20	40000	3.6	28000	2.40	1400	
4HP14L48P & HP14B48P	BCE3M48C****P+TXV		14.00	12.00	47000	34,600	8.20	46000	3.4	29600	2.50	1600
	BCS3M48C****P+TXV		14.00	12.00	47000	34,600	8.20	46000	3.4	29600	2.50	1600
	BCS3M48E****P+H4TXV02		15.00	12.50	47000	34,600	8.50	46000	3.4	29600	2.50	1600
	BCS2M48V****P+TXV		15.00	12.50	47000	34,600	8.50	45500	3.4	29600	2.50	1600
	E*1P49C+H4TXV02	95G2UH090CE16	14.50	12.50	47000	34,600	8.20	46000	3.4	29600	2.50	1600
	E*1P49C+H4TXV02	80G1DF110CE20	14.50	12.50	47000	34,600	8.20	46000	3.4	29600	2.50	1600
	E*1P49C+H4TXV02	80G2UH110CV20*	14.50	12.50	47000	34,600	8.20	45500	3.4	29600	2.50	1550
4HP14L48P & HP14B48P	E*1P49C+H4TXV02	95G1DF110CE20	14.50	12.50	47000	34,600	8.20	46000	3.4	29600	2.50	1600
	E*1P62D+H4TXV02	80G1UH135DE20	14.50	12.50	47000	34,600	8.20	46000	3.4	29600	2.50	1600
	E*1P62D+H4TXV02	95G2UH135DV20	14.50	12.50	47000	34,600	8.20	46000	3.4	29600	2.50	1600
4HP14L60P & 4HP14B60P	BCE3M60C****P+TXV		14.00	12.00	57000	42,300	8.20	55000	3.4	36000	2.50	1900
	BCS3M60C****P+TXV		14.00	12.00	57000	42,300	8.20	55000	3.4	36000	2.50	1900
	BCS3M60E****P+H4TXV03		15.00	12.50	57000	42,300	8.50	55000	3.4	36000	2.50	1900
	BCS2M60V****P+TXV		15.00	12.50	57000	42,300	8.50	55000	3.4	36000	2.50	1800

Note:

1. Certified in accordance with Unitary Air Conditioner Certification Program, which is based on AHRI Standard 210/240
2. Required to achieve AHRI rating. If NA (Not Applicable) is in the piston column, then TXV is required.
3. A blower time delay relay is required to achieve AHRI rating. This feature is standard on all Allied Air Enterprises furnace and AH products

COOLING PERFORMANCE WITH EXTENDED RATINGS

Outdoor Model	Indoor Model	Indoor Temp DB/ WB °F	Outdoor Temperature - DB °F															
			65°			82°			95°			105°			115°			
			Btuh	S/T	kW	Btuh	S/T	kW	Btuh	S/T	kW	Btuh	S/T	kW	Btuh	S/T	kW	
4HP14L18P	4HP14B18P	BC*3M18C	85/72	22,261	0.67	1.12	20,875	0.68	1.33	19,815	0.68	1.49	18,509	0.69	1.67	17,203	0.70	1.84
			80/67	20,970	0.71	1.13	19,887	0.72	1.36	19,059	0.73	1.53	17,368	0.76	1.62	15,677	0.78	1.85
			75/63	19,437	0.74	1.13	17,871	0.75	1.35	16,673	0.76	1.51	15,622	0.79	1.68	14,570	0.82	1.85
			75/57	17,011	1.00	1.15	15,956	1.00	1.36	15,150	1.00	1.52	14,333	1.00	1.68	13,515	1.00	1.85
4HP14L24P	4HP14B24P	BC*3M24C	85/72	30,200	0.61	1.48	27,700	0.64	1.75	25,700	0.66	1.95	24,200	0.68	2.20	22,700	0.69	2.44
			80/67	27,600	0.69	1.47	25,200	0.71	1.74	23,400	0.73	1.95	22,100	0.75	2.19	20,700	0.77	2.42
			75/63	25,100	0.72	1.47	23,300	0.74	1.74	21,800	0.76	1.95	20,500	0.78	2.19	19,100	0.80	2.43
			75/57	24,000	1.00	1.44	22,400	1.00	1.71	20,800	1.00	1.91	19,700	1.00	2.15	18,400	1.00	2.37
4HP14L30P	4HP14B30P	BC*3M30C	85/72	35,800	0.62	1.88	33,600	0.64	2.19	31,900	0.66	2.43	30,200	0.68	2.72	28,400	0.70	3.00
			80/67	33,500	0.69	1.86	31,000	0.72	2.18	29,000	0.74	2.42	27,600	0.76	2.70	26,200	0.78	2.99
			75/63	31,300	0.72	1.84	29,000	0.75	2.17	27,300	0.77	2.42	25,700	0.79	2.70	24,100	0.81	2.98
			75/57	29,100	1.00	1.82	27,600	1.00	2.14	25,800	1.00	2.37	24,600	1.00	2.65	23,300	1.00	2.93
4HP14L36P	4HP14B36P	BC*3M36C	85/72	39,700	0.61	2.21	38,100	0.64	2.59	36,900	0.67	2.89	34,600	0.70	3.21	32,400	0.73	3.54
			80/67	37,800	0.69	2.20	36,000	0.72	2.59	34,600	0.75	2.88	31,900	0.79	3.21	29,300	0.83	3.53
			75/63	36,100	0.73	2.20	33,300	0.77	2.58	31,100	0.80	2.87	29,000	0.83	3.19	26,800	0.85	3.51
			75/57	32,900	1.00	2.16	32,000	1.00	2.54	30,800	1.00	2.82	28,400	1.00	3.15	26,100	1.00	3.46
4HP14L42P	4HP14B42P	BC*3M42C	85/72	50,600	0.60	2.66	47,800	0.63	3.14	45,700	0.65	3.51	42,800	0.67	3.92	39,900	0.69	4.33
			80/67	48,200	0.68	2.66	44,700	0.71	3.13	42,000	0.73	3.50	39,500	0.75	3.91	37,000	0.77	4.33
			75/63	44,200	0.72	2.64	41,300	0.74	3.12	39,200	0.75	3.49	36,600	0.77	3.89	34,000	0.79	4.30
			75/57	41,900	1.00	2.61	39,800	1.00	3.07	37,400	1.00	3.43	35,200	1.00	3.83	32,900	1.00	4.24
4HP14L48P	4HP14B48P	BC*3M48C	85/72	51,900	0.62	2.95	51,400	0.64	3.55	51,000	0.65	4.00	48,400	0.68	4.47	45,800	0.70	4.93
			80/67	49,800	0.68	2.95	48,800	0.70	3.55	48,000	0.72	4.00	45,500	0.75	4.45	42,900	0.77	4.90
			75/63	47,900	0.71	2.95	45,600	0.74	3.53	43,800	0.77	3.98	40,800	0.82	4.43	37,900	0.86	4.88
			75/57	43,300	1.00	2.89	43,400	1.00	3.48	42,700	1.00	3.92	40,500	1.00	4.36	38,200	1.00	4.80
4HP14L60P	4HP14B60P	BC*3M60C	85/72	72,000	0.62	3.68	66,300	0.65	4.34	62,000	0.67	4.85	58,000	0.69	5.47	54,000	0.71	6.09
			80/67	65,800	0.68	3.64	61,400	0.71	4.32	58,000	0.73	4.83	54,000	0.77	5.45	50,000	0.80	6.07
			75/63	60,800	0.71	3.60	56,200	0.74	4.29	52,700	0.76	4.81	49,400	0.78	5.43	46,100	0.80	6.04
			75/57	57,200	1.00	3.57	54,600	1.00	4.23	51,600	1.00	4.73	48,100	1.00	5.34	44,500	1.00	5.95

HEATING PERFORMANCE WITH EXTENDED RATINGS

Outdoor Model		Indoor Model	Outdoor Temp. DB/WB deg. F									
			0/0		17/15		35/33		47/43		62/56	
			Btuh	KW	Btuh	KW	Btuh	KW	Btuh	KW	Btuh	KW
4HP14L18P	4HP14B18P	BC*3M18C	8,900	1.35	11,400	1.43	14,000	1.45	18,000	1.50	21,500	1.55
4HP14L24P	4HP14B24P	BC*3M24C	5,800	1.50	14,000	1.80	18,700	1.80	22,000	1.90	26,900	2.00
4HP14L30P	4HP14B30P	BC*3M30C	7,800	1.75	17,000	2.00	22,600	2.20	26,200	2.25	31,600	2.35
4HP14L36P	4HP14B36P	BC*3M36C	9,700	2.20	21,600	2.50	29,700	2.80	34,600	2.90	41,900	3.00
4HP14L42P	4HP14B42P	BC*3M42C	12,700	3.15	28,800	3.50	36,000	3.40	42,000	3.50	51,000	3.65
4HP14L48P	4HP14B48P	BC*3M48C	14,100	2.85	29,600	3.50	40,300	3.80	46,500	4.00	55,800	4.30
4HP14L60P	4HP14B60P	BC*3M60C	18,000	3.35	36,000	4.20	48,000	4.75	55,000	5.00	65,500	5.40

All ratings are at indoor temperature of 70 oF
 Extended data shown is actual for models listed and typical for all AHRI matches.

ACCESSORIES

Description	Where Used	Kit Number
Crankcase Heater	18, 24, 30, 36	93M04
	42, 48, 60	93M05 (factory Installed)
Compressor Low Ambient Kit	18, 24, 30, 36, 42, 48, 60	45F08
Sound Blanket	18, 24, 30,36	14W00 (factory Installed)
	42, 48, 60	14W01 (factory Installed)
Short Cycle Protector	18, 24, 30, 36, 42, 48, 60	control board feature
Freezestat	3/8 tubing	93G35
	5/8 tubing	50A93
Time Delay Relay	18, 24, 30, 36, 42, 48, 60	control board feature
Loss of Charge Kit	18, 24, 30, 36, 42, 48, 60	84M23 (factory Installed)
Hard start kit	18	10J42
	24, 30, 36, 42, 48, 60	88M91
Fossil Fuel	All Models	AFOSL500
TXV	18, 24, 30	H4TXV01
	36, 42, 48	H4TXV02
	60	H4TXV03



1-800-448-5872

All specifications and illustrations subject to change without notice and without incurring obligations.