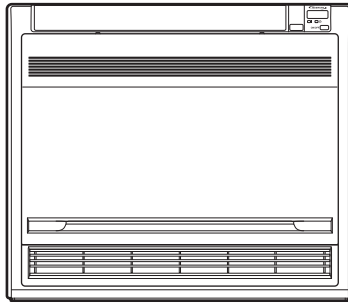


DAIKIN



DAIKIN ROOM AIR CONDITIONER

INSTALLATION MANUAL

R410A Split Series



Installation manual
Manuel d'installation
Manual de instalación

English

Français

Español

MODELS

FVXS09NVJU
FVXS12NVJU
FVXS15NVJU
FVXS18NVJU

Contents

Safety Considerations	1	4. Installing indoor unit	8
Accessories	3	4-1. Preparation	8
Choosing an Installation Site	3	4-2. Installation	9
1. Indoor unit	3	5. Flaring the pipe end.....	12
2. Wireless remote controller.....	3	6. Connecting the refrigerant pipe	12
Indoor Unit Installation Diagram	4	6-1. Caution on piping handling.....	13
Indoor Unit Installation	5	6-2. Selection of copper and heat insulation materials	13
1. Refrigerant piping	5	7. Checking for gas leakage	13
2. Drilling a wall hole and installing wall embedded pipe.....	7	8. Attaching the connection pipe	13
3. Drain piping	7	9. Wiring	14
		10. When connecting to an HA system.....	15
		11. How to set the different addresses.....	16
		Trial Operation and Testing	17
		1. Trial operation and testing	17
		2. Test items	17

Safety Considerations





Read these **Safety Considerations for Installation** carefully before installing an air conditioner or heat pump. After completing the installation, make sure that the unit operates properly during the startup operation.

Instruct the user on how to operate and maintain the unit.

Inform users that they should store this installation manual with the operation manual for future reference.

Always use a licensed installer or contractor to install this product. Improper installation can result in water or refrigerant leakage, electric shock, fire, or explosion.

Meanings of **DANGER**, **WARNING**, **CAUTION**, and **NOTE** Symbols:

-  **DANGER** Indicates an imminently hazardous situation which, if not avoided, will result in death or serious injury.
-  **WARNING** Indicates a potentially hazardous situation which, if not avoided, could result in death or serious injury.
-  **CAUTION** Indicates a potentially hazardous situation which, if not avoided, may result in minor or moderate injury. It may also be used to alert against unsafe practices.
-  **NOTE** Indicates situations that may result in equipment or property-damage accidents only.

DANGER _____

- Refrigerant gas is heavier than air and replaces oxygen. A massive leak can lead to oxygen depletion, especially in basements, and an asphyxiation hazard could occur leading to serious injury or death.
- Do not ground units to water pipes, gas pipes, telephone wires, or lightning rods as incomplete grounding can cause a severe shock hazard resulting in severe injury or death. Additionally, grounding to gas pipes could cause a gas leak and potential explosion causing severe injury or death.

- If refrigerant gas leaks during installation, ventilate the area immediately. Refrigerant gas may produce toxic gas if it comes into contact with fire. Exposure to this gas could cause severe injury or death.
- After completing the installation work, check that the refrigerant gas does not leak throughout the system.
- Do not install unit in an area where flammable materials are present due to risk of explosions that can cause serious injury or death.
- Safely dispose all packing and transportation materials in accordance with federal/state/local laws or ordinances. Packing materials such as nails and other metal or wood parts, including plastic packing materials used for transportation may cause injuries or death by suffocation.

WARNING _____

- Only qualified personnel must carry out the installation work. Installation must be done in accordance with this installation manual. Improper installation may result in water leakage, electric shock, or fire.
- When installing the unit in a small room, take measures to keep the refrigerant concentration from exceeding allowable safety limits. Excessive refrigerant leaks, in the event of an accident in a closed ambient space, can lead to oxygen deficiency.
- Use only specified accessories and parts for installation work. Failure to use specified parts may result in water leakage, electric shock, fire, or the unit falling.
- Install the air conditioner or heat pump on a foundation strong enough that it can withstand the weight of the unit. A foundation of insufficient strength may result in the unit falling and causing injuries.
- Take into account strong winds, typhoons, or earthquakes when installing. Improper installation may result in the unit falling and causing accidents.

- Make sure that a separate power supply circuit is provided for this unit and that all electrical work is carried out by qualified personnel according to local, state, and national regulations. An insufficient power supply capacity or improper electrical construction may lead to electric shock or fire.
- Make sure that all wiring is secured, that specified wires are used, and that no external forces act on the terminal connections or wires. Improper connections or installation may result in fire.
- When wiring, position the wires so that the electrical wiring box cover can be securely fastened. Improper positioning of the electrical wiring box cover may result in electric shock, fire, or the terminals overheating.
- Before touching electrical parts, turn off the unit.
- It is recommended to install a ground fault circuit interrupter if one is not already available. This helps prevent electric shock or fire.
- Securely fasten the outdoor unit terminal cover (panel). If the terminal cover/panel is not installed properly, dust or water may enter the outdoor unit causing fire or electric shock.
- When installing or relocating the system, keep the refrigerant circuit free from substances other than the specified refrigerant (R410A) such as air. Any presence of air or other foreign substance in the refrigerant circuit can cause an abnormal pressure rise or rupture, resulting in injury.
- Do not change the setting of the protection devices. If the pressure switch, thermal switch, or other protection device is shorted and operated forcibly, or parts other than those specified by Daikin are used, fire or explosion may occur.

CAUTION

- Do not touch the switch with wet fingers. Touching a switch with wet fingers can cause electric shock.
- Do not allow children to play on or around the unit to prevent injury.
- The heat exchanger fins are sharp enough to cut. To avoid injury wear gloves or cover the fins while working around them.
- Do not touch the refrigerant pipes during and immediately after operation as the refrigerant pipes may be hot or cold, depending on the condition of the refrigerant flowing through the refrigerant piping, compressor, and other refrigerant cycle parts. Your hands may suffer burns or frostbite if you touch the refrigerant pipes. To avoid injury, give the pipes time to return to normal temperature or, if you must touch them, be sure to wear proper gloves.
- Install drain piping to proper drainage. Improper drain piping may result in water leakage and property damage.
- Insulate piping to prevent condensation.
- Be careful when transporting the product.
- Do not turn off the power immediately after stopping operation. Always wait for at least 5 minutes before turning off the power. Otherwise, water leakage may occur.
- Do not use a charging cylinder. Using a charging cylinder may cause the refrigerant to deteriorate.
- Refrigerant R410A in the system must be kept clean, dry, and tight.
 - (a) Clean and Dry -- Foreign materials (including mineral oils such as SUNISO oil or moisture) should be prevented from getting into the system.

(b) Tight -- R410A does not contain any chlorine, does not destroy the ozone layer, and does not reduce the earth's protection against harmful ultraviolet radiation. R410A can contribute to the greenhouse effect if it is released. Therefore take proper measures to check for the tightness of the refrigerant piping installation. Read the chapter *Refrigerant Piping Work* and follow the procedures.

- Since R410A is a blend, the required additional refrigerant must be charged in its liquid state. If the refrigerant is charged in a state of gas, its composition can change and the system will not work properly.
- The indoor unit is for R410A. See the catalog for indoor models that can be connected. Normal operation is not possible when connected to other units.
- Remote controller (wireless kit) transmitting distance can be shorter than expected in rooms with electronic fluorescent lamps (inverter or rapid start types). Install the indoor unit far away from fluorescent lamps as much as possible.
- Indoor units are for indoor installation only. Outdoor units can be installed either outdoors or indoors. This unit is for indoor use.
- Do not install the air conditioner or heat pump in the following locations:
 - (a) Where a mineral oil mist or oil spray or vapor is produced, for example, in a kitchen. Plastic parts may deteriorate and fall off or result in water leakage.
 - (b) Where corrosive gas, such as sulfurous acid gas, is produced. Corroding copper pipes or soldered parts may result in refrigerant leakage.
 - (c) Near machinery emitting electromagnetic waves. Electromagnetic waves may disturb the operation of the control system and cause the unit to malfunction.
 - (d) Where flammable gas may leak, where there is carbon fiber, or ignitable dust suspension in the air, or where volatile flammables such as thinner or gasoline are handled. Operating the unit in such conditions can cause a fire.
- Take adequate measures to prevent the outdoor unit from being used as a shelter by small animals. Small animals making contact with electrical parts can cause malfunctions, smoke, or fire. Instruct the user to keep the area around the unit clean.

NOTE

- Install the power supply and inter-unit wires for the indoor and outdoor units at least 3.5ft away from televisions or radios to prevent image interference or noise. Depending on the radio waves, a distance of 3.5ft may not be sufficient to eliminate the noise.
- Dismantling the unit, treatment of the refrigerant, oil and additional parts must be done in accordance with the relevant local, state, and national regulations.
- Do not use the following tools that are used with conventional refrigerants: gauge manifold, charge hose, gas leak detector, reverse flow check valve, refrigerant charge base, vacuum gauge, or refrigerant recovery equipment.
- If the conventional refrigerant and refrigerator oil are mixed in R410A, the refrigerant may deteriorate.
- This air conditioner or heat pump is an appliance that should not be accessible to the general public.
- As design pressure is 478 psi, the wall thickness of field-installed pipes should be selected in accordance with the relevant local, state, and national regulations.

Accessories

Ⓐ Mounting plate	1	Ⓑ Titanium apatite photocatalytic air-purifying filter	2	Ⓒ Drain hose	1
Ⓓ Insulation tape	2	Ⓔ Wireless remote controller	1	Ⓕ Remote controller holder	1
Ⓖ Fixing screw for remote controller holder 1/8" × 13/16" (M3 × 20mm)	2	Ⓗ Indoor unit fixing screw 3/16" × 1" (M4 × 25mm)	9	Ⓖ Dry battery AAA. LR03 (alkaline)	2
Ⓚ Operation manual	1	Ⓛ Installation manual	1	Ⓜ Warranty	1

Choosing an Installation Site

- Before choosing the installation site, obtain user approval.

1. Indoor unit

The indoor unit should be positioned in a place where:

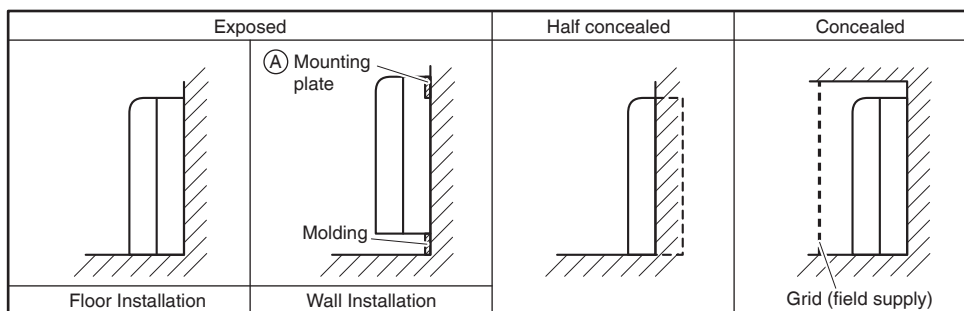
- 1) the restrictions on installation requirements specified in "Indoor Unit Installation Diagram" on page 4 are met,
- 2) both the air inlet and air outlet are unobstructed,
- 3) the unit is not exposed to direct sunlight,
- 4) the unit is away from the source of heat or steam,
- 5) there is no source of machine oil vapour (this may shorten the indoor unit service life),
- 6) cool/warm air is circulated throughout the room,
- 7) the unit is away from electronic ignition type fluorescent lamps (inverter or rapid start type) as they may affect the remote controller range,
- 8) the unit is at least 3.3ft (1m) away from any television or radio set (the unit may cause interference with the picture or sound),
- 9) no laundry equipment is nearby.

2. Wireless remote controller

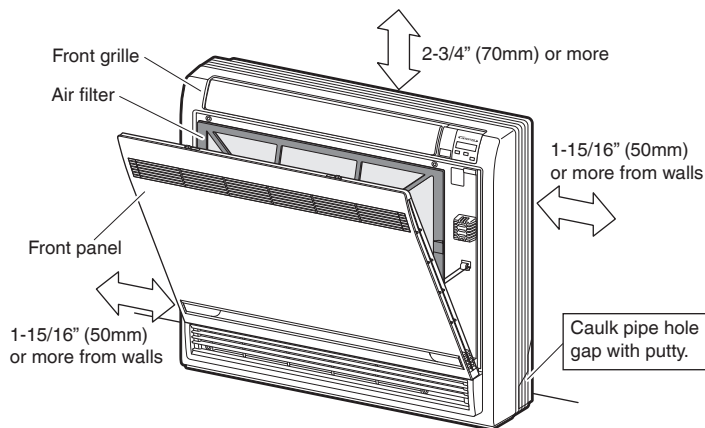
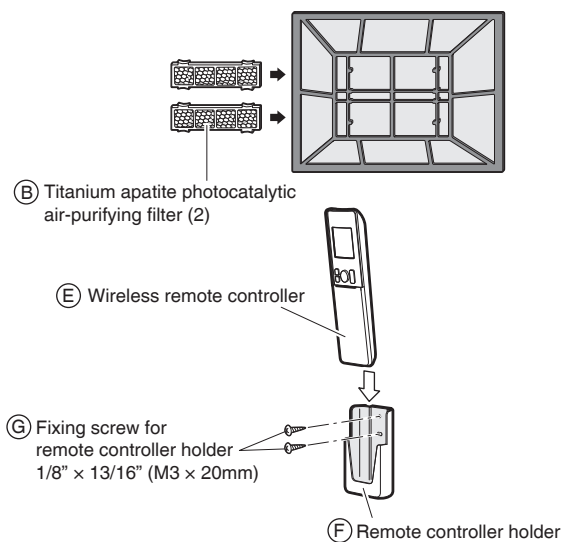
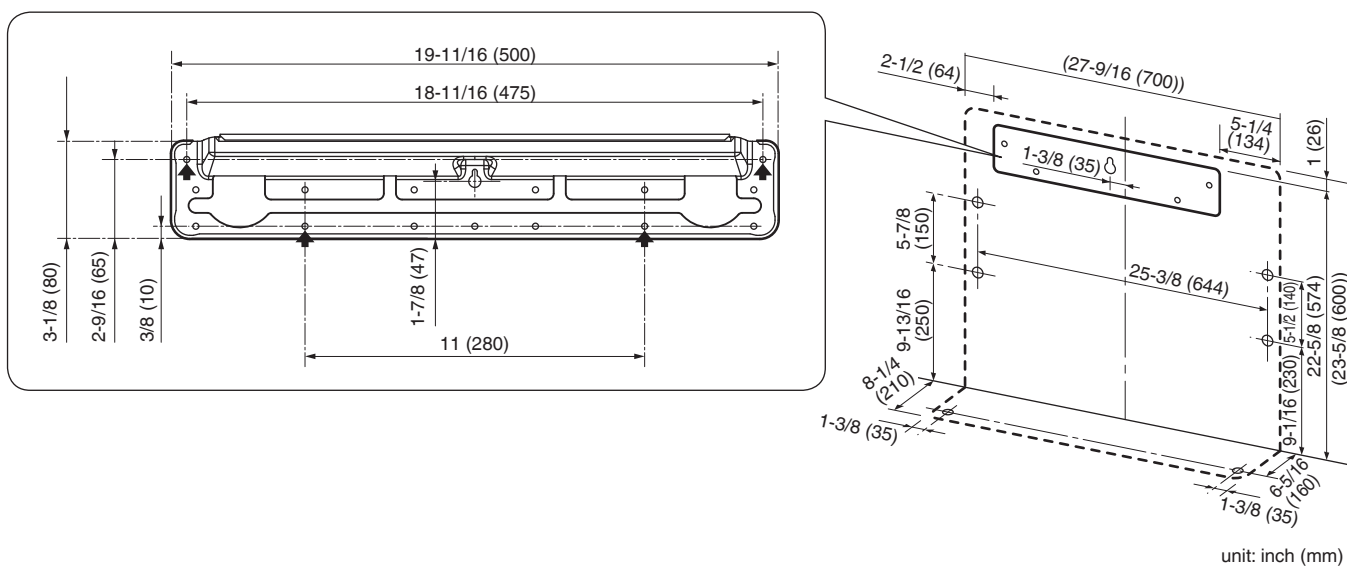
Turn on all the fluorescent lamps in the room, if any, and find a location where remote controller signals are properly received by the indoor unit (within 23ft (7m)).

Indoor Unit Installation Diagram

- The indoor unit may be mounted in any of the 3 styles shown here.




- Recommended mounting plate retention spots and dimensions.

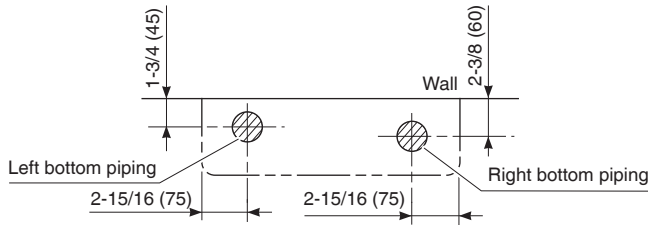


Indoor Unit Installation

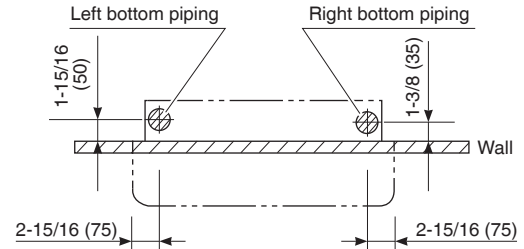
1. Refrigerant piping

- 1) Drill a hole ($\phi 2-9/16$ inch (65mm) in diameter) in the spot indicated by the  symbol in the illustration as below.
- 2) The location of the hole is different depending on which side of the pipe is taken out.
- 3) For piping, refer to "6. Connecting the refrigerant pipe" on page 12.
- 4) Allow space around the pipe for an easier indoor unit pipe connection.

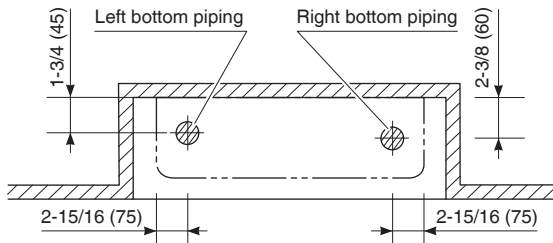
[Bottom piping]



Exposed installation



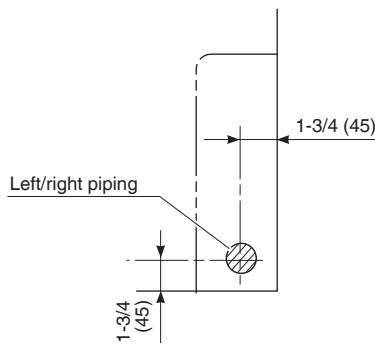
Half concealed installation



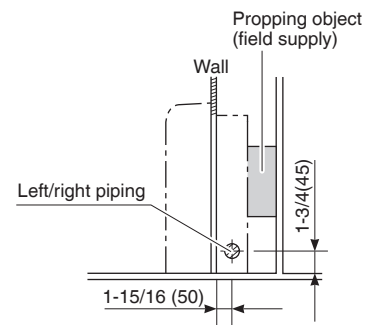
Concealed installation

unit: inch (mm)

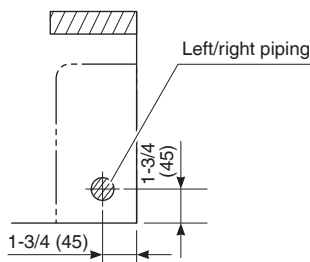
[Left/Right -side piping]



Exposed installation



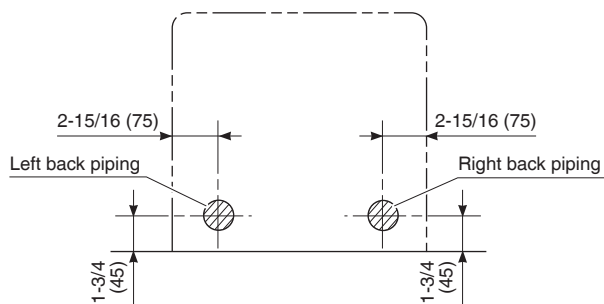
Half concealed installation



Concealed installation

unit: inch (mm)

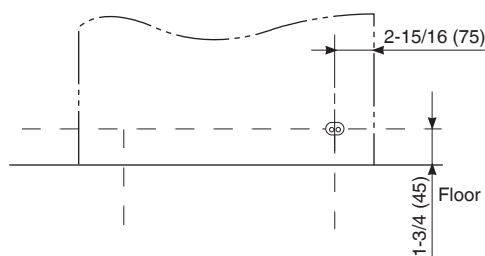
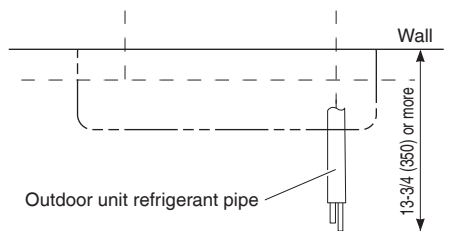
[Back piping]



unit: inch (mm)

About the outdoor unit refrigerant pipe

- In order to connect the pipe, the outdoor unit refrigerant pipe must have a length of at least $13\frac{3}{4}$ inch (350mm) measured from the wall.



unit: inch (mm)

⚠ CAUTION

Minimum allowable length

- The suggested shortest pipe length is 8.2ft (2.5m), in order to avoid noise from the outdoor unit and vibration. (Mechanical noise and vibration may occur depending on how the unit is installed and the environment in which it is used.)
- Refer to the installation manual for the outdoor unit for the maximum pipe length.
- For multi-connections, refer to the installation manual for the multi outdoor unit.

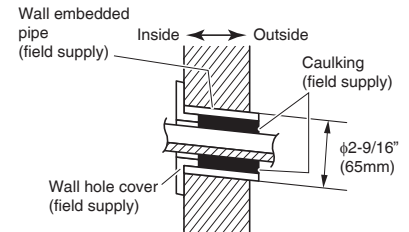
Indoor Unit Installation

2. Drilling a wall hole and installing wall embedded pipe

⚠ WARNING

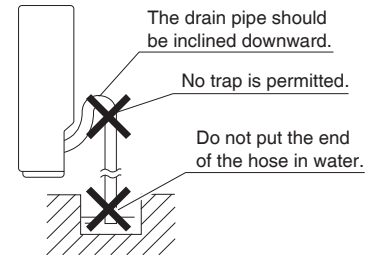
For metal frame or metal board walls, be sure to use a wall embedded pipe and wall hole cover in the feed-through hole to prevent possible heat, electric shock, or fire.

- Be sure to caulk the gaps around the pipes with caulking material to prevent condensation.
 - 1) Drill a feed-through hole with a $\phi 2\text{-}9/16$ inch (65mm) diameter through the wall at a downward angle toward the outside.
 - 2) Insert a wall embedded pipe into the hole.
 - 3) Insert a wall hole cover into wall pipe.
 - 4) After completing refrigerant piping, wiring, and drain piping, caulk the pipe hole gap with putty.



3. Drain piping

- The drain pipe should be **inclined downward** so that water will flow smoothly without any accumulation. (Should not be trap.)



- Use commercial rigid polyvinyl chloride pipe (general VP 20 pipe, outer diameter 1 inch (26mm), inner diameter 13/16 inch (20mm)) for the drain pipe.
- The drain hose (outer diameter $\phi 11/16$ inch ($\phi 18$ mm) at connecting end, 8-11/16 inch (220mm) long) is supplied with the indoor unit.
 - 1) Perform drain piping work as outlined in the figure. (See Fig. 1)
 - Insert the © drain hose into the socket of the drain pan. (See Fig. 2)
Fully insert the drain hose until it adheres to a seal of the socket.
 - 2) **Insulate the indoor drain pipe with 3/8 inch (10mm) or more of insulation material to prevent condensation.**
 - 3) Remove the air filters and pour some water into the drain pan to check the water flows smoothly.

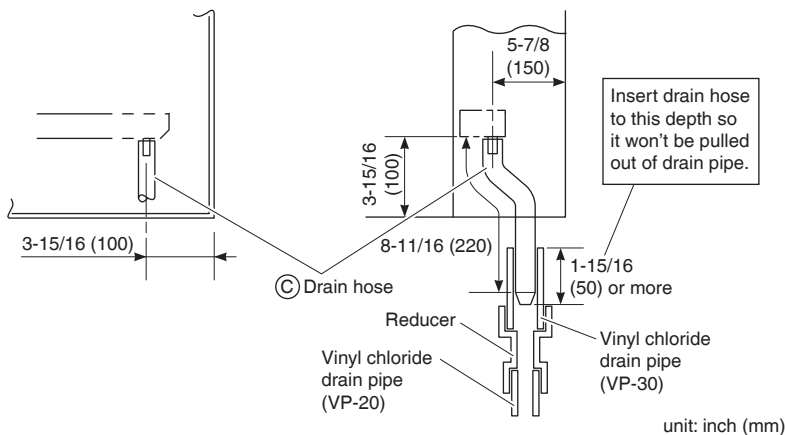


Fig. 1

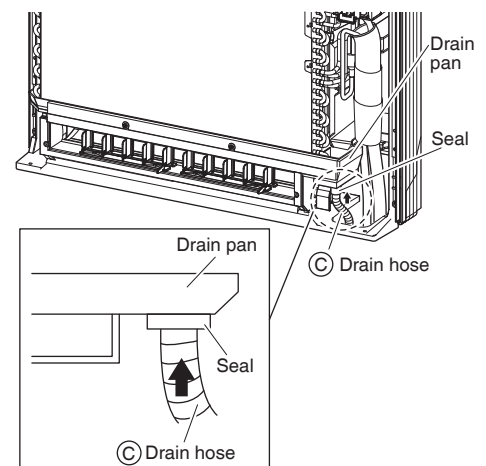


Fig. 2

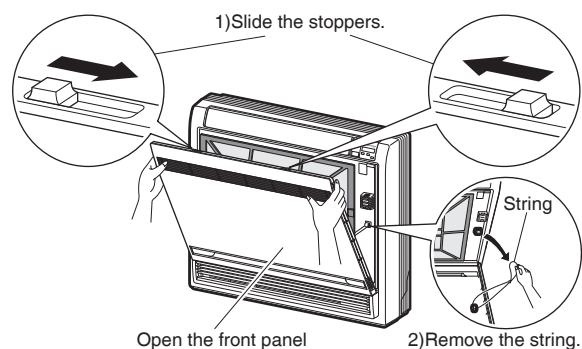
⚠ CAUTION

Use polyvinyl chloride adhesive agent for gluing. Failure to do so may cause water leakage.

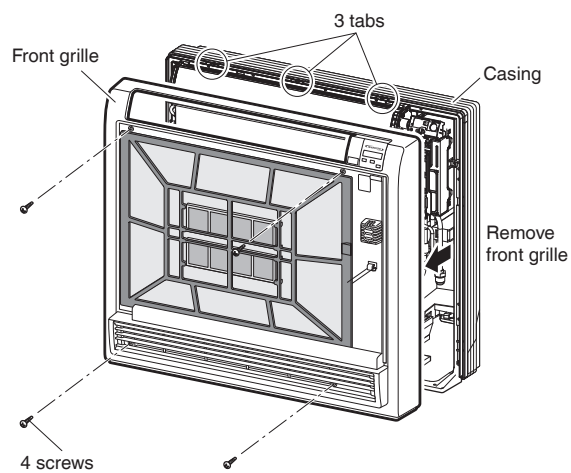
4. Installing indoor unit

4-1. Preparation

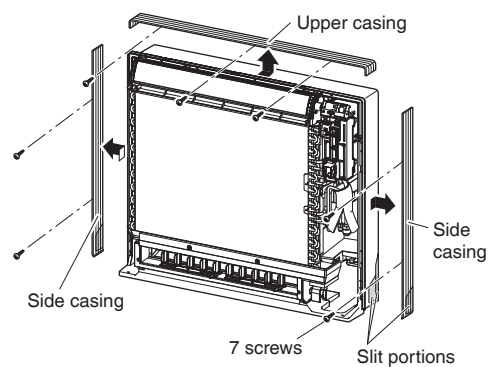
- Remove the front panel.
 - Slide until the 2 stoppers click inside.
 - Open the front panel forward and remove the string.
 - Remove the front panel.



- Remove the front grille.
 - Remove the 4 screws.
 - Pull the front grille and remove the 3 tabs.

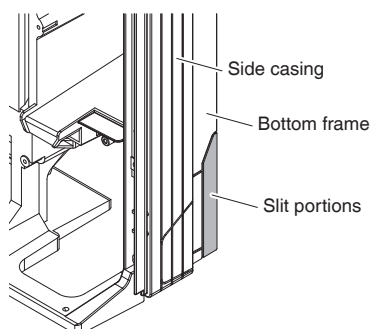


- Remove the upper and the side casings.
 - Remove the 7 screws.
 - Slide and remove the upper casing (2 tabs).
 - Slide and remove the left and right casings (2 tabs on each side).

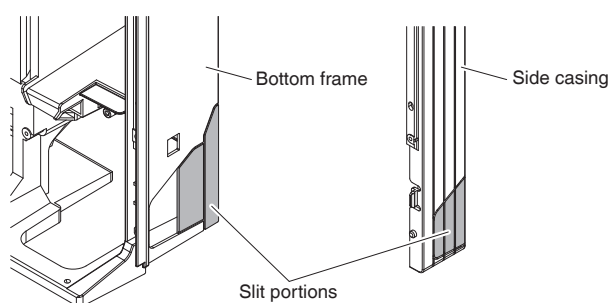


- During installation, if needed, cut the slit portions using nippers as shown in the illustration below.

[For moldings]



[For side piping]



Indoor Unit Installation

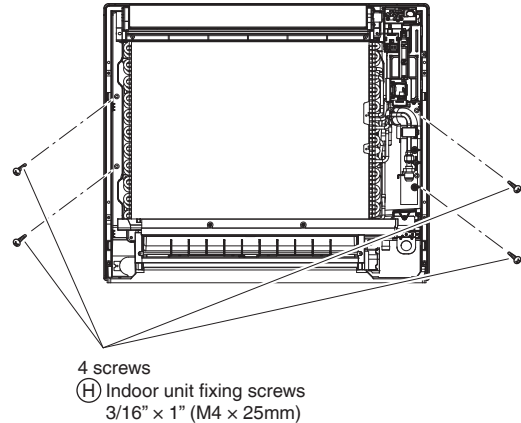
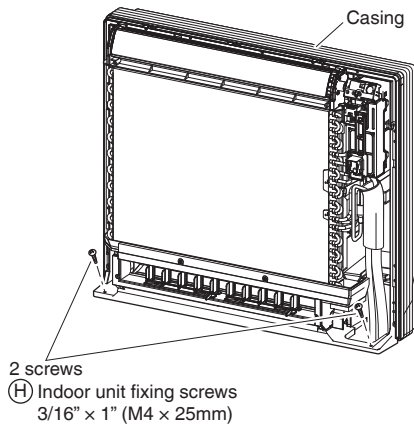
4-2. Installation

Exposed installation

1) Secure the indoor unit

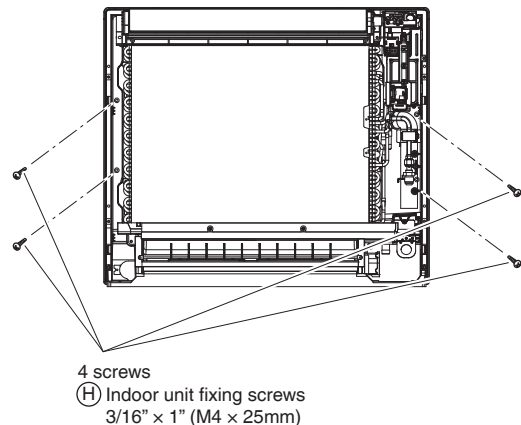
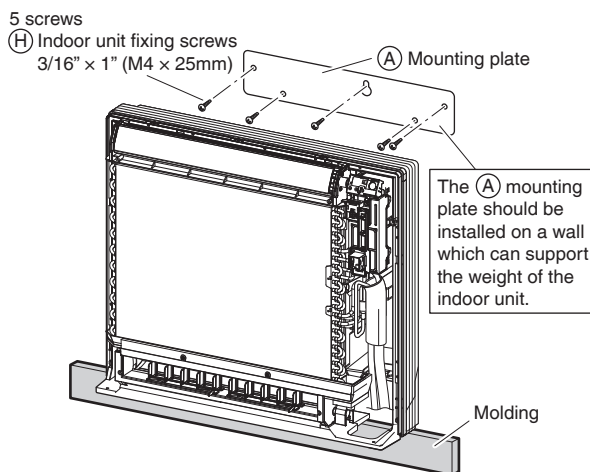
[Floor Installation]

- Secure the indoor unit using 6 screws. (2 screws for floor and 4 screws for rear wall)



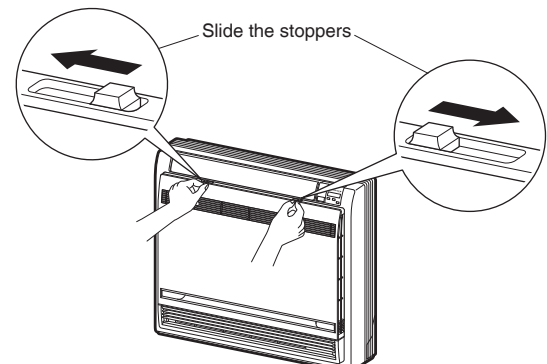
[Wall Installation]

- Secure the (A) mounting plate using 5 screws.
- Secure the indoor unit using 4 screws for rear wall.



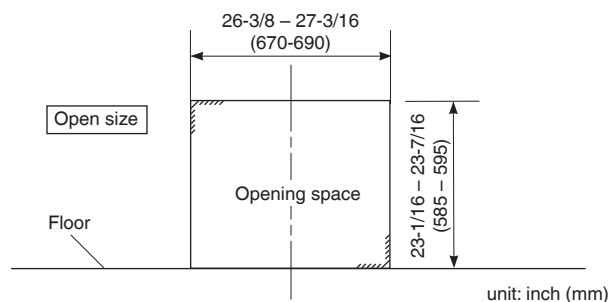
2) Once refrigerant piping and drain piping connections are complete, fill in the gap of the through hole with putty. **Any gaps will result in the accumulation of condensation on the refrigerant pipe and drain pipe, as well as allowing the intrusion of insects and dirt.**

- Attach the left, right and upper casings in their original positions using 7 screws.
- Attach the front grill in its original position using 4 screws.
- Attach the front panel in its original position.
 - Attach the string to the right, inner-side of the front grille.
 - Close the front panel and slide until the 2 stoppers click outside.

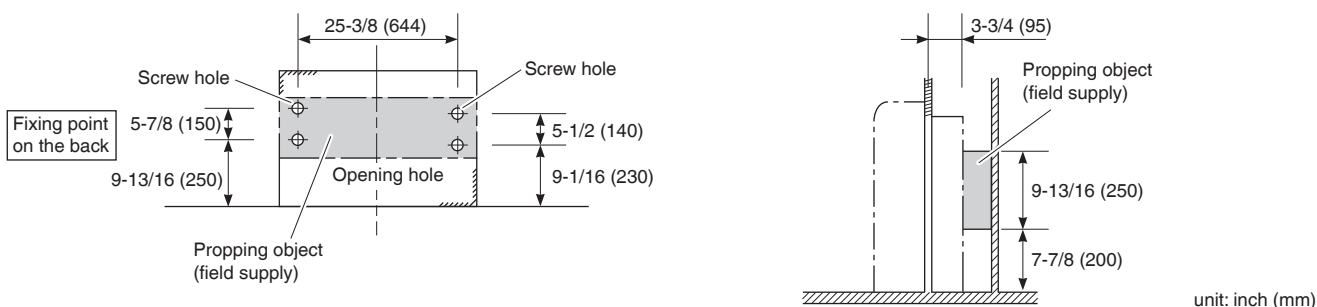


Half concealed installation

- 1) The size of a wall opening space shown in the illustration on the right.



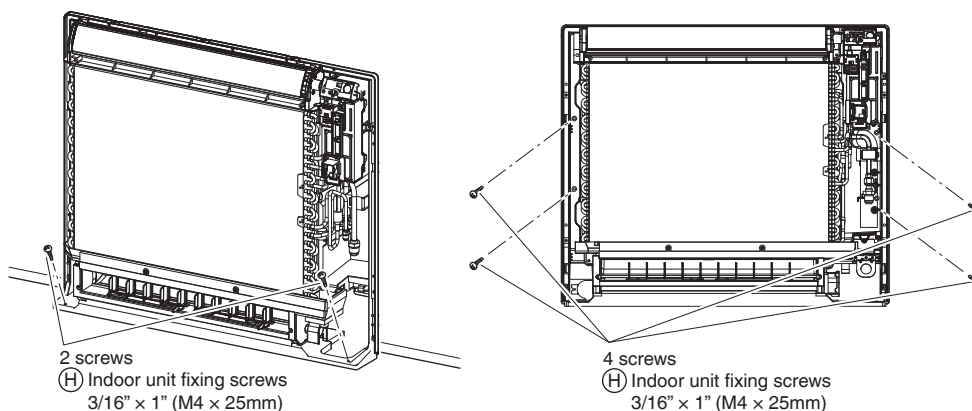
- 2) The rear of the unit can be fixed with screws at the points shown in the illustration as below. Be sure to install the propping object in accordance with the depth of the inner wall.



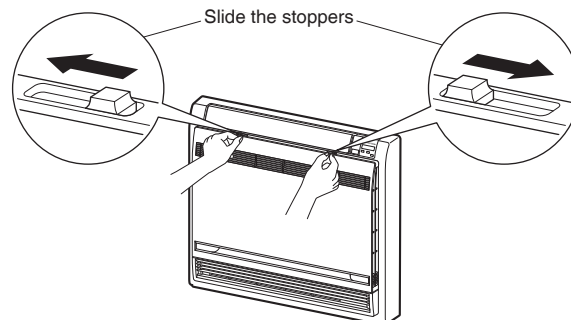
⚠ CAUTION

The propping object for installing the main unit must be used, or there will be a gap between the unit and the wall.

- 3) Secure the indoor unit using 6 screws. (2 screws for floor and 4 screws for rear wall)



- 4) Once refrigerant piping and drain piping connections are complete, fill in the gap of the through hole with putty.
Any gaps will result in the accumulation of condensation on the refrigerant pipe and drain pipe, as well as allowing the intrusion of insects and dirt.
- 5) Attach the left, right and upper casings in their original positions using 7 screws.
- 6) Attach the front grill in its original position using 4 screws.
- 7) Attach the front panel in its original position.
- Attach the string to the right, inner-side of the front grille.
 - Close the front panel and slide until the 2 stoppers click outside.



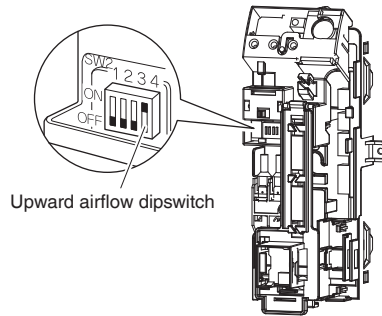
⚠ CAUTION

- Use drain pan edge for horizontal projection of the indoor unit.
- Install the indoor unit flush against wall.

Indoor Unit Installation

Concealed installation

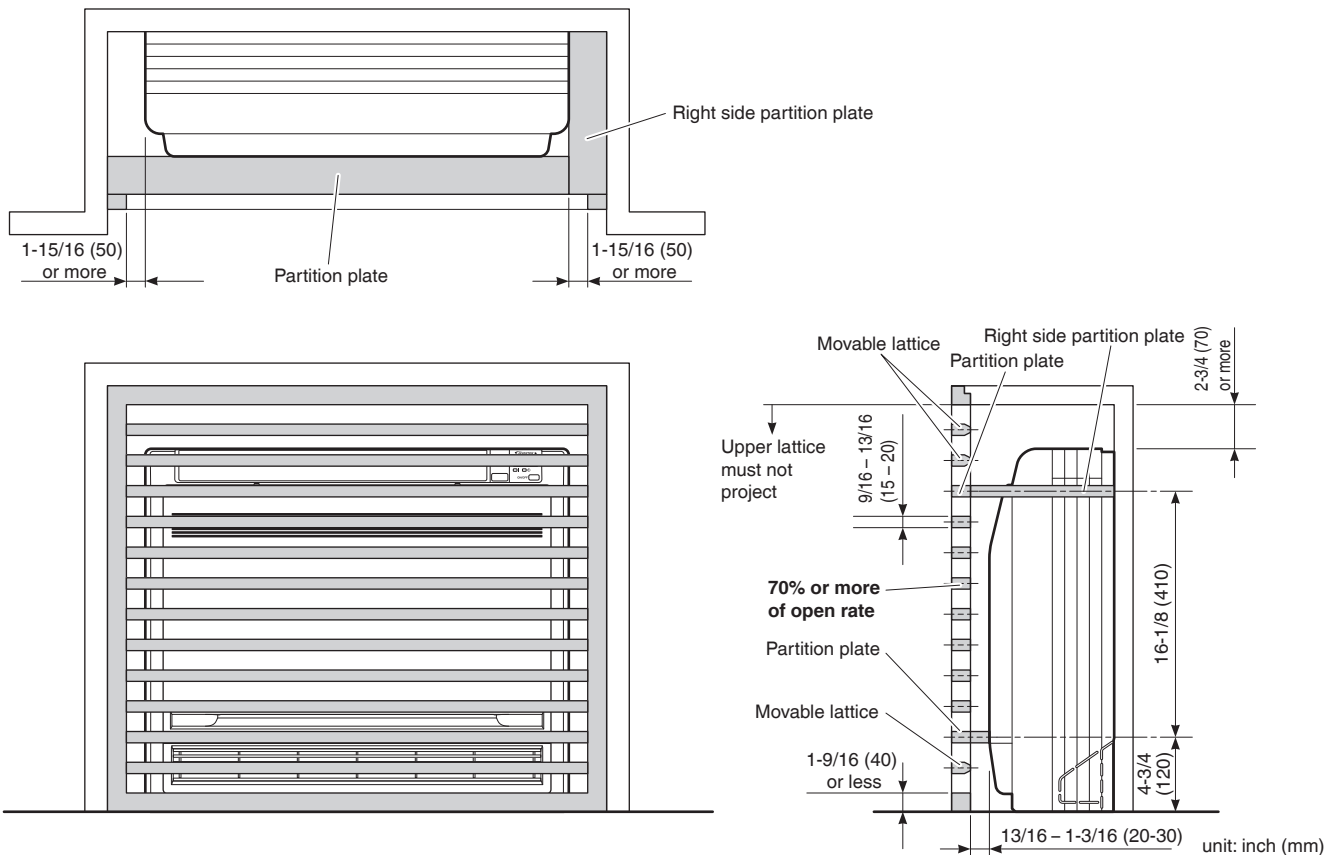
- Install the unit according to the instructions below. Failure to do so may cause lead to both cooling and heating failure and the condensation inside the house.
 - 1) Allow enough space between the main unit and ceiling not to obstruct the flow of cool/warm air.
 - 2) Place a partition plate between outlet and inlet sections.
 - 3) Place a partition plate on the right side.
 - 4) Change the upward airflow dipswitch (SW2-4) to ON to limit the upward airflow. (Factory default: OFF)
 - Remove the front grille.
 - Switch the dipswitch (SW2-4) on the PCB in the electrical equipment box to ON.



⚠ CAUTION

Be sure to turn on the upward airflow switch. Failure to do so may cause incomplete cooling/heating and formation of condensation inside the house.

- 5) Use a movable lattice at the air outlet to allow the adjustment of cool/warm airflow direction.
- 6) Lattice size should be 70% or more of open rate.



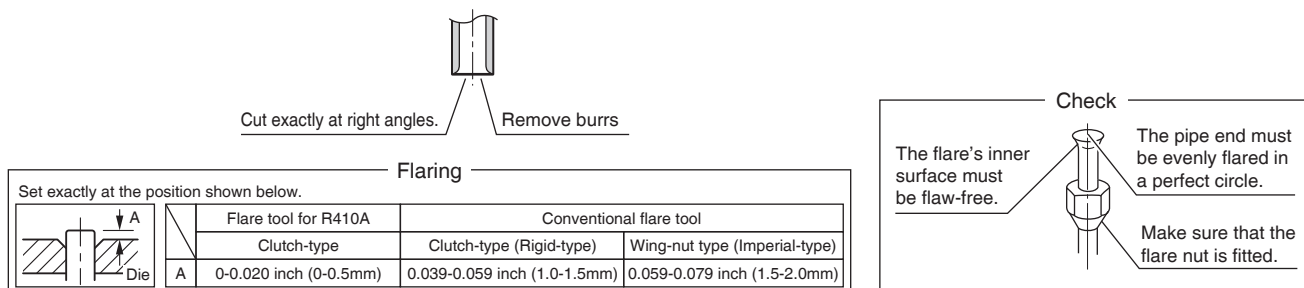
- For the installation process refer to “Exposed installation” on page 9.

5. Flaring the pipe end

- 1) Cut the pipe end with a pipe cutter.
- 2) Remove burrs with the cut surface facing downward, so that the filings do not enter the pipe.
- 3) Put the flare nut on the pipe.
- 4) Flare the pipe.
- 5) Check that the flaring has been done correctly.

⚠ WARNING

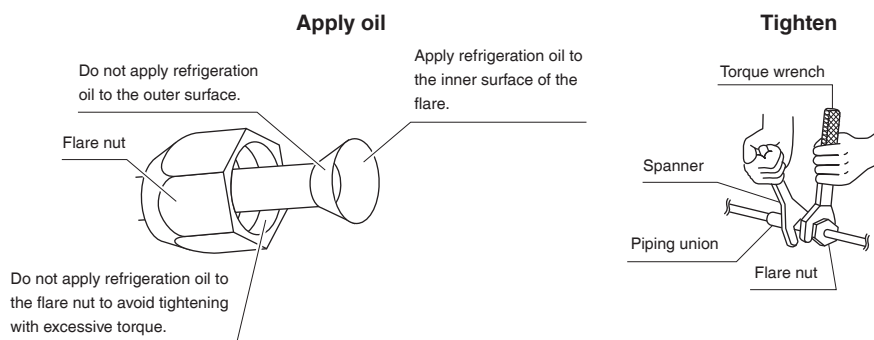
- Do not apply mineral oil to the flare.
- Prevent mineral oil from getting into the system as this would reduce the service life of the units.
- Never use piping which has been used for previous installations. Only use parts which are delivered with this unit.
- Never install a dryer to this R410A unit in order to guarantee its service life.
- The drying material may dissolve and damage the system.
- Incomplete flaring may result in refrigerant gas leakage.



6. Connecting the refrigerant pipe

⚠ CAUTION

- Use the flare nut fixed to the main unit. (This is to prevent the flare nut from cracking as a result of deterioration over time.)
 - To prevent gas leakage, apply refrigeration oil only to the inner surface of the flare. (Use refrigeration oil for R410A.)
 - Use a torque wrench when tightening the flare nuts to prevent damage to the flare nuts and gas leakage.
- Align the center of both flares and tighten the flare nuts 3 or 4 turns by hand, then tighten them fully with a spanner and a torque wrench.

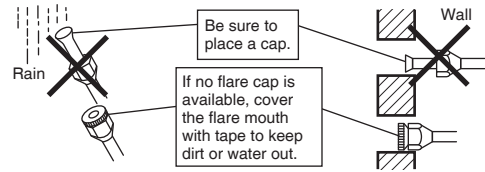


	Piping size	Flare nut tightening torque
Gas side	O.D. 3/8 inch (9.5mm)	24.1-29.4ft • lbf (32.7-39.9N • m)
	O.D. 1/2 inch (12.7mm)	36.5-44.5ft • lbf (49.5-60.3N • m)
Liquid side	O.D. 1/4 inch (6.4mm)	10.5-12.7ft • lbf (14.2-17.2 N • m)

Indoor Unit Installation

6-1. Caution on piping handling

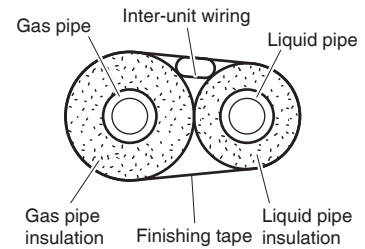
- 1) Protect the open end of the pipe against dust and moisture.
- 2) All pipe bends should be as gentle as possible. Use a pipe bender for bending.



6-2. Selection of copper and heat insulation materials

When using commercial copper pipes and fittings, observe the following:

- Insulation material: Polyethylene foam
Heat transfer rate: 0.041 to 0.052W/mK (0.024 to 0.030Btu/ft²h°F (0.035 to 0.045kcal/mh°C))
Be sure to use insulation that is designed for use with HVAC Systems.
- ACR Copper only.



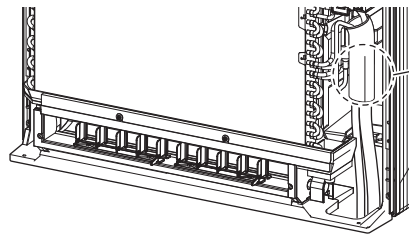
- Be sure to insulate both the gas and liquid piping and observe the insulation dimensions as below.

	Piping size	Minimum bend radius	Piping thickness	Thermal insulation size	Thermal insulation thickness
Gas side	O.D. 3/8 inch (9.5mm)	1-3/16 inch (30mm) or more	0.031 inch (0.8mm) (C1220T-O)	I.D. 15/32-19/32 inch (12-15mm)	13/32 inch (10mm) Min.
	O.D. 1/2 inch (12.7mm)	1-9/16 inch (40mm) or more		I.D. 9/16-5/8 inch (14-16mm)	
Liquid side	O.D. 1/4 inch (6.4mm)	1-3/16 inch (30mm) or more		I.D. 5/16-13/32 inch (8-10mm)	

- Use separate thermal insulation pipes for gas and liquid refrigerant pipes.

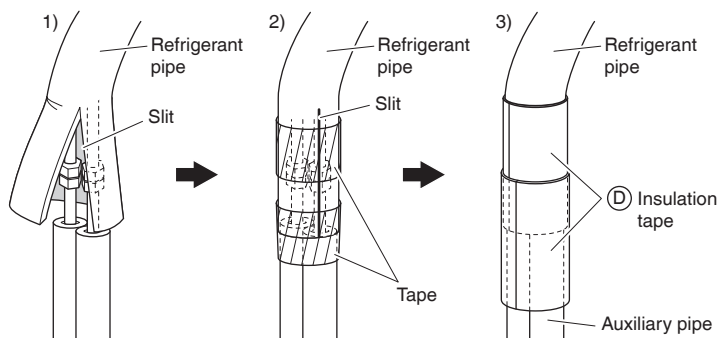
7. Checking for gas leakage

- 1) Check for leakage of gas after air purging.
- 2) Refer to the section on pressure test and evacuating system in the installation manual for the outdoor unit.



8. Attaching the connection pipe

- Attach the pipe after checking for gas leakage, described above.
 - 1) Cut the insulated portion of the on-site piping, matching it up with the connecting portion.
 - 2) Secure the slit on the refrigerant piping side with the butt joint on the auxiliary piping using the tape, making sure there are no gaps.
 - 3) Wrap the slit and the butt joint with the (D) insulation tape, making sure there are no gaps.



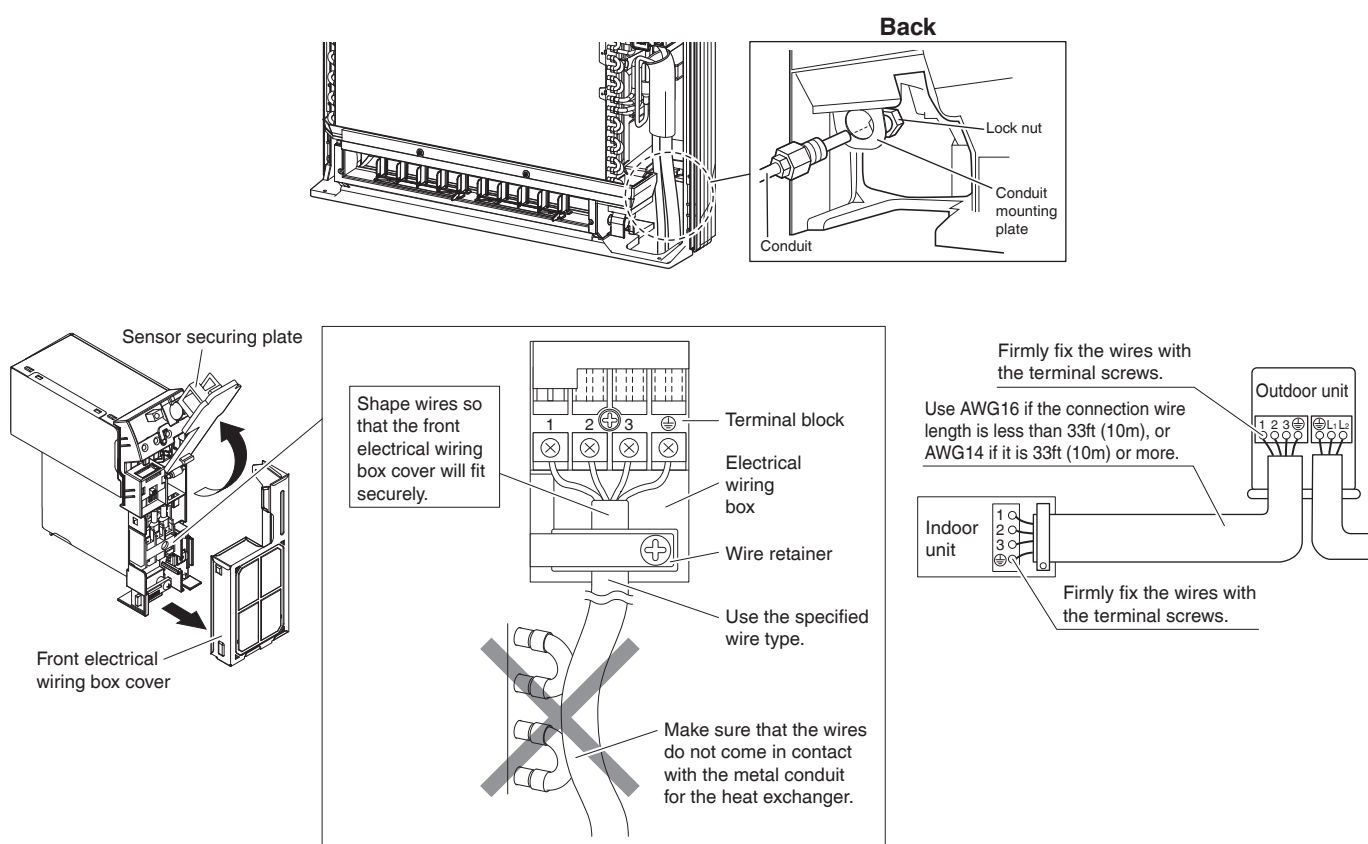
⚠ CAUTION

- Insulate the joint of the pipes securely. Incomplete insulation may lead to water leakage.
- Push the pipe inside so it does not place undue force on the front grille.

9. Wiring

With a multi indoor unit , install as described in the installation manual supplied with the multi outdoor unit.

- Live the sensor securing plate, remove the front electrical wiring box cover, and connect the branch wiring to the terminal block.
 - 1) As shown in the illustration, insert the wires including the ground wire into the conduit and secure them with lock nut onto the conduit mounting plate.
 - 2) Strip wire ends (3/4 inch (20mm)).
 - 3) Match wire colours with terminal numbers on indoor and outdoor unit's terminal blocks and firmly secure the wires in the corresponding terminals with the screws.
 - 4) Connect the ground wires to the corresponding terminals.
 - 5) Pull the wires lightly to make sure they are securely connected.
 - 6) Make sure that the wires do not come in contact with the metal conduit for the heat exchanger.
 - 7) In case of connecting to an adapter system, run the remote controller cable and attach the S21. (Refer to "10. When connecting to an HA system" on page 15.)



⚠ WARNING

- Do not use tapped wires, stranded wires, extension cords, or starburst connections, as they may cause overheating, electric shock, or fire.
- Do not use locally purchased electrical parts inside the product. (Do not branch the power for the drain pump, etc., from the terminal block.) Doing so may cause electric shock or fire.
- Do not connect the power wire to the indoor unit. Doing so may cause electric shock or fire.

Indoor Unit Installation

10. When connecting to an HA system

- 1) Remove the front panel and the front grille. (Refer to “4-1. Preparation” on page 8.)
- 2) Open up the sensor securing plate. (See Fig. 3)
- 3) Remove the front electrical wiring box cover (4 tabs). (See Fig. 3)
- 4) Remove connectors ① ② ③. (See Fig. 4 and Fig. 5)
- 5) After removing the ground wires (2 screws), remove the electrical wiring box (1 screw). (See Fig. 6)
- 6) Remove the thermistor. (See Fig. 7)
- 7) Remove the side electrical wiring box cover (7 tabs). (See Fig. 3)
- 8) Cut off the pins using a nipper. (See Fig. 3)
- 9) Wire and connect the HA connection cord to the S21 connector. (See Fig. 3)
- 10) Install the side electrical wiring box cover while being careful not to pinch the HA connection cord or ground wires (7 tabs).
- 11) Attach the thermistor.
- 12) Install the ground wires (2 screws) and the electrical wiring box (1 screw).
- 13) Install the connectors ① ② and guide the cord as shown in the figure. (See Fig. 4)
- 14) Install connector ③ and guide the cord as shown in the figure. (See Fig. 5)
- 15) Attach the front electrical wiring box cover (4 tabs), and close the sensor securing plate.
- 16) Attach the front panel and the front grille as they were.

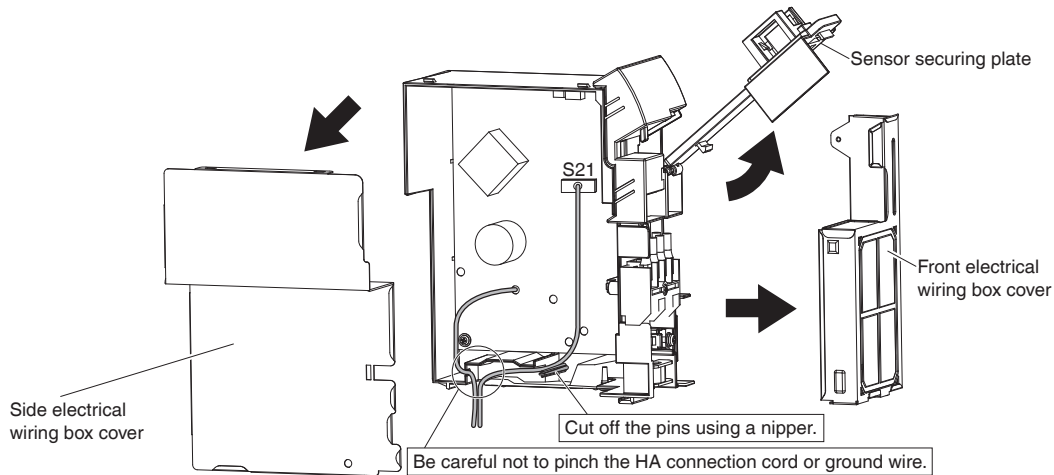


Fig. 3

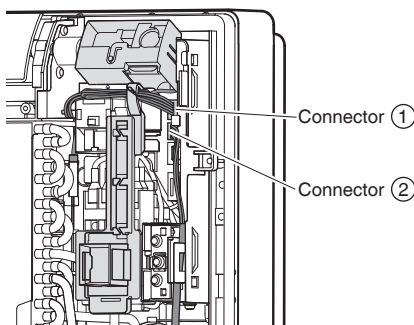


Fig. 4

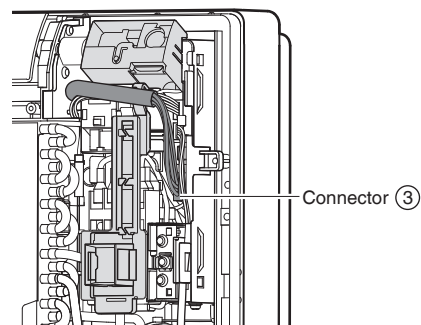


Fig. 5

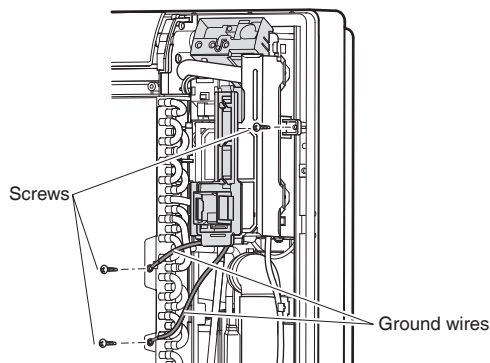


Fig. 6

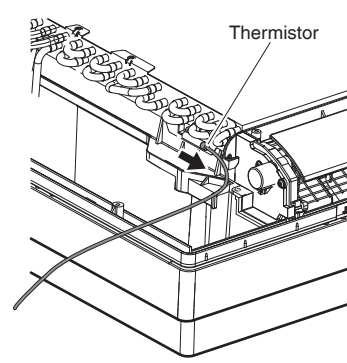
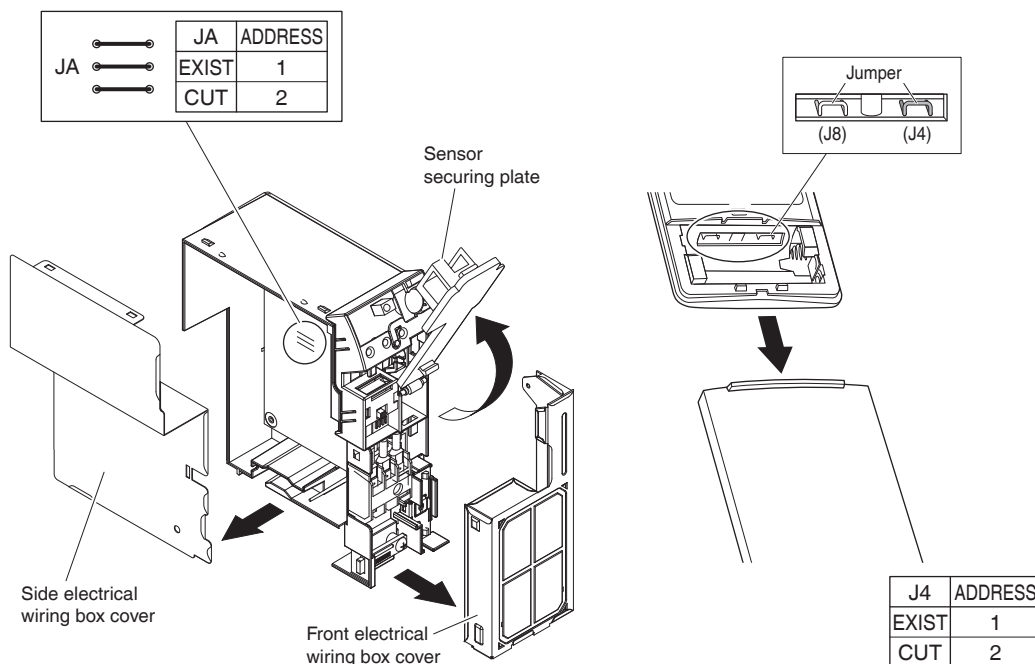


Fig. 7

11. How to set the different addresses

- When 2 indoor units are installed in 1 room, the 2 wireless remote controllers can be set for different addresses. Change the address setting of one of the 2 units.
When cutting the jumper be careful not to damage any of the surrounding parts.
- 1) Remove the electrical wiring box. (Refer to “10. When connecting to an HA system” on page 15 steps 1)-7).)
 - 2) Cut the address jumper (JA) on the printed circuit board.
 - 3) Cut the address jumper (J4) in the remote controller.
 - 4) Attach the electrical wiring box as they were. (Refer to “10. When connecting to an HA system” on page 15 steps 10)-15).)
 - 5) Attach the front panel and the front grille as they were.



Trial Operation and Testing

1. Trial operation and testing

- Trial operation should be carried out in either COOL or HEAT operation.

1-1. Measure the supply voltage and make sure that it is within the specified range.






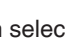
1-2. In COOL operation, select the lowest programmable temperature; in HEAT operation, select the highest programmable temperature.

1-3. Carry out the trial operation following the instructions in the operation manual to ensure that all functions and parts, such as the movement of the flap, are working properly.


- To protect the air conditioner, restart operation is disabled for 3 minutes after the system has been turned off.
- When connecting to a multi outdoor unit, if trial operation is conducted in HEAT operation directly after the circuit breaker is turned on, in some cases no air will be output for about 3 to 20 minutes in order to protect the air conditioner.

1-4. After trial operation is complete, set the temperature to a normal level (78°F to 82°F (26°C to 28°C) in COOL operation, 68°F to 75°F (20°C to 24°C) in HEAT operation).

- When operating the air conditioner in COOL operation in winter, or HEAT operation in summer, set it to the trial operation mode using the following method.


- 1) Press  to turn on the system.
- 2) Press ,  and  at the same time.
- 3) Press , then select “?” , and press  for confirmation.

- Trial operation will stop automatically after about 30 minutes.

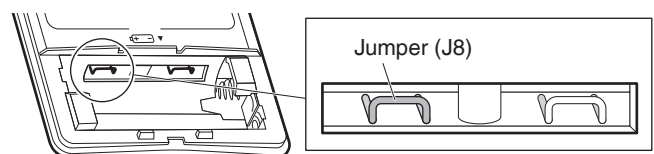
To stop the operation, press .

- Some of the functions cannot be used in the trial operation mode.
- The air conditioner draws a small amount of power in its standby mode. If the system is not to be used for some time after installation, shut off the circuit breaker to eliminate unnecessary power consumption.
- If the circuit breaker trips to shut off the power to the air conditioner, the system will restore the original operation mode when the circuit breaker is opened again.

2. Test items

Test Items	Symptom	Check
Indoor and outdoor units are installed properly on solid bases.	Fall, vibration, noise	
No refrigerant gas leaks.	Incomplete cooling/heating function	
Refrigerant gas and liquid pipes and indoor drain hose extension are thermally insulated.	Water leakage	
Draining line is properly installed.	Water leakage	
System is properly grounded.	Electrical leakage	
The specified wires are used for inter-unit wiring connections.	No operation or burn damage	
Indoor or outdoor unit's air inlet or air outlet are unobstructed.	Incomplete cooling/heating function	
Stop valves are opened.	Incomplete cooling/heating function	
Indoor unit properly receives remote control commands.	No operation	
 will be displayed when the MODE button is pressed.*	No heating	

*Check that the jumper (J8) has not been cut. If it has been cut, contact your dealer.



GOODMAN MANUFACTURING COMPANY, L.P.

5151 San Felipe, Suite 500
Houston, TX 77056 USA

DAIKIN INDUSTRIES, LTD.

Head office:
Umeda Center Bldg., 2-4-12, Nakazaki-Nishi,
Kita-ku, Osaka, 530-8323 Japan

Tokyo office:
JR Shinagawa East Bldg., 2-18-1, Konan,
Minato-ku, Tokyo, 108-0075 Japan
<http://www.daikin.com>



Intertek

3P379970-7B



Two-dimensional bar code
is a manufacturing code.

M15B136 (1511) HT