

DAIKIN



INSTALLATION MANUAL

R410A SPLIT SERIES



MODELS

FTXB09A	RXB09A
FTXB12A	RXB12A
FTXB18A	RXB18A
FTXB24A	RXB24A

FTKB09A	RKB09A
FTKB12A	RKB12A
FTKB18A	RKB18A
FTKB24A	RKB24A

Installation Manual
R410A Split Series

English

Manuel d'installation
Série split R410A

Français

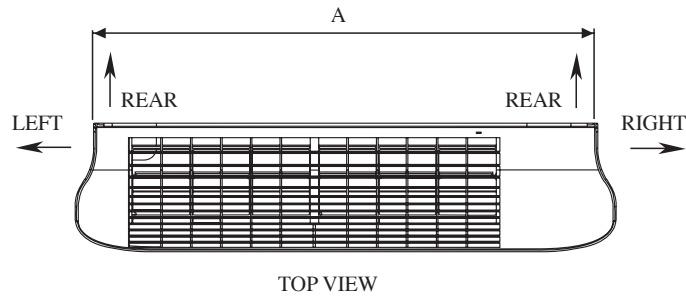
Manual de instalación
Serie Split R410A

Español

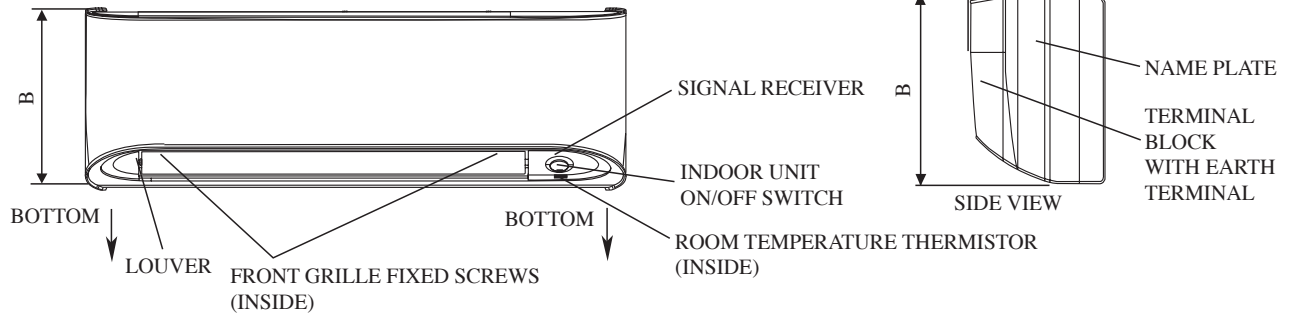
OUTLINE AND DIMENSIONS

Indoor Unit [FTXB/FTKB]

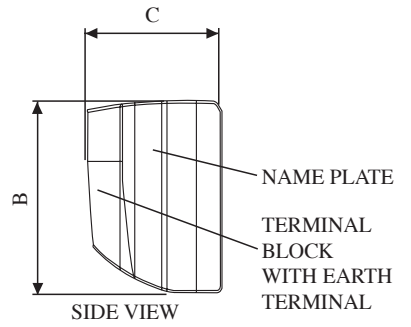
THE MARK (→) SHOWS PIPING DIRECTION



TOP VIEW

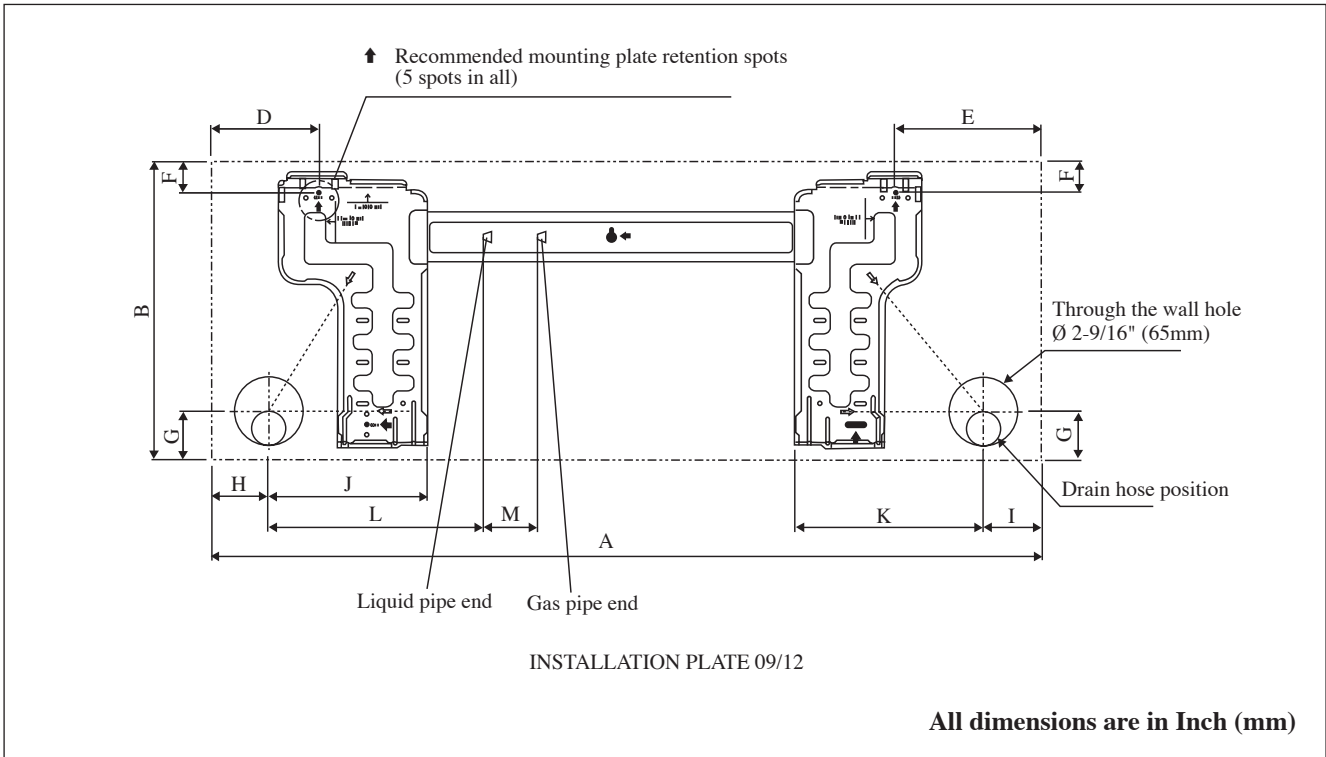


FRONT VIEW

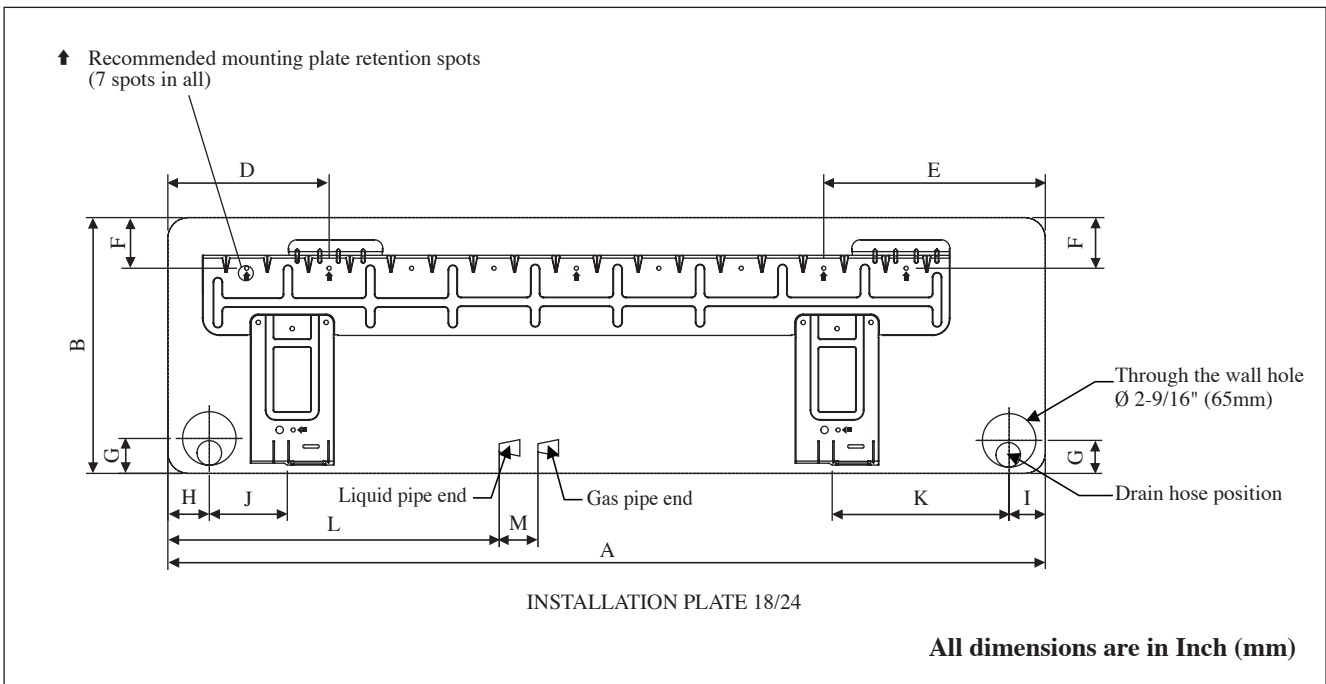


SIDE VIEW

Indoor Unit [FTXB/FTKB]

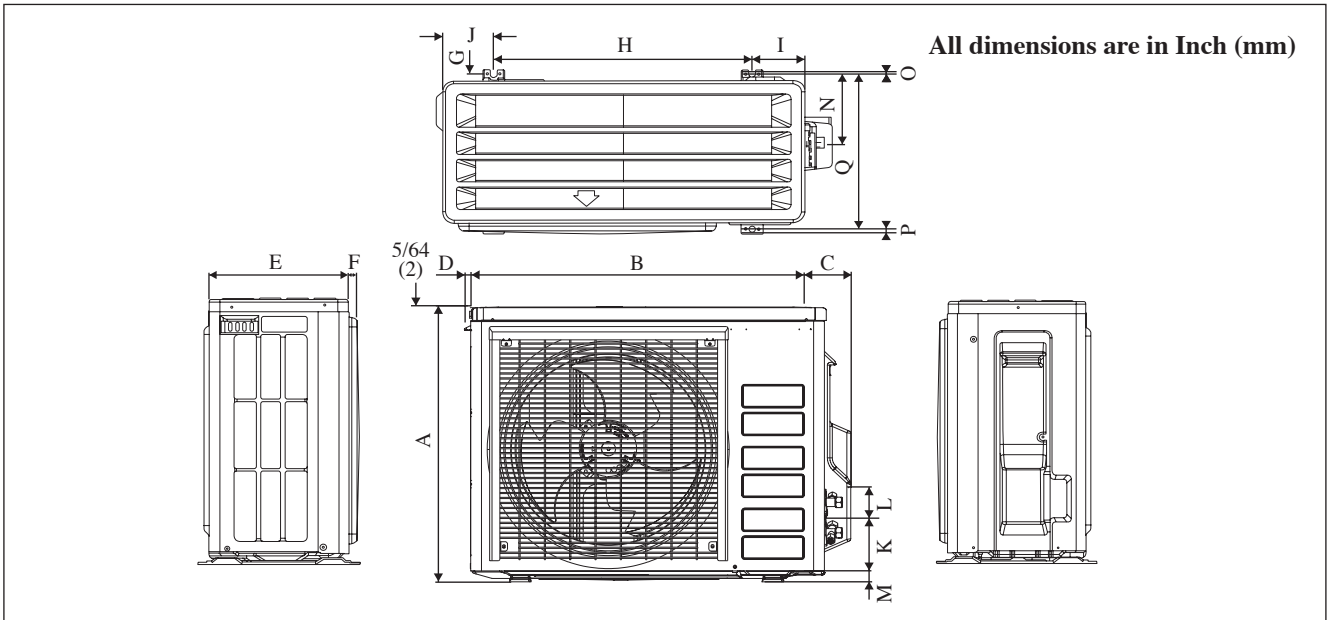


Dimension	A	B	C	D	E	F	G	H	I	J	K	L	M
Model													
09/12	35-1/16 (890)	11-11/16 (297)	8-1/4 (210)	4-1/16 (104)	5-9/16 (141)	1-3/16 (30)	1-13/16 (46)	2-3/16 (55)	2-3/16 (56)	6 (153)	7-1/8 (181)	8-1/8 (207)	2-1/16 (52)

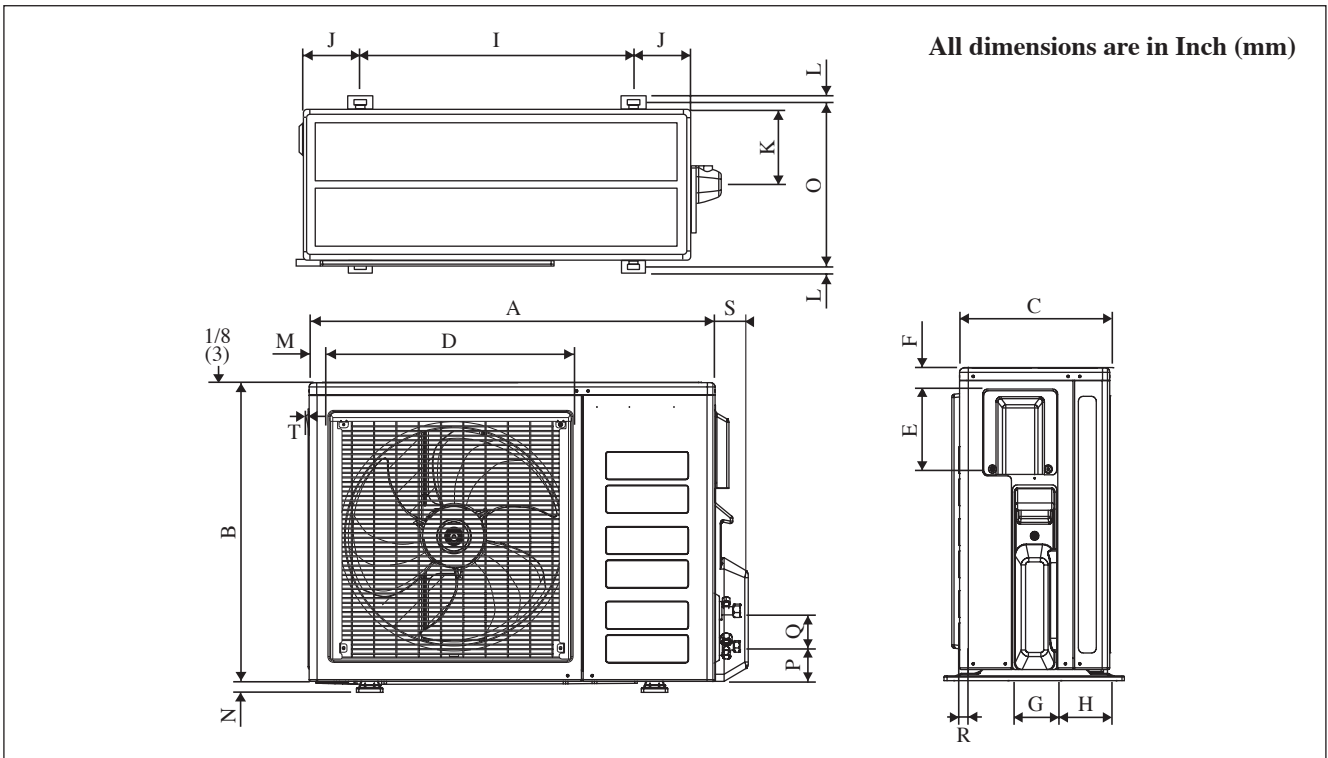


Dimension	A	B	C	D	E	F	G	H	I	J	K	L	M
Model													
18/24	46-1/8 (1172)	12-5/8 (320)	9-1/2 (242)	7-1/2 (190)	6-13/16 (173)	2-3/8 (61)	1-9/16 (40)	1-3/4 (45)	1-7/8 (48)	3-9/16 (91)	8-5/8 (219)	22-13/16 (580)	1-3/4 (45)

Outdoor Unit [RXB/RKB]



Dimension / Model	A	B	C	D	E	F	G	H	I	J	K	L	M	N	O	P	Q
09/12	21-5/8 (550)	25-15/16 (658)	2 (51)	7/16 (11)	10-3/4 (273)	5/8 (16)	9/16 (14)	18-1/2 (470)	3-3/4 (96)	3-11/16 (93)	3-11/16 (94)	2-3/8 (60)	9/16 (14)	5-1/4 (133)	5/16 (8)	3/8 (10)	11-3/4 (299)



Dimension / Model	A	B	C	D	E	F	G	H	I	J	K	L	M	N	O
18	33-11/16 (855)	24-3/4 (628)	12-15/16 (328)	20-1/2 (520)	7-1/16 (179)	1-13/16 (46)	4 (101)	4-7/16 (113)	23-3/4 (603)	4-15/16 (126)	6-7/16 (164)	9/16 (15)	1-5/16 (34)	15/16 (23)	14-1/4 (362)
24	33-11/16 (855)	28-3/4 (730)	12-15/16 (328)	20-1/2 (520)	7-1/16 (179)	1-13/16 (46)	4 (101)	4-7/16 (113)	23-3/4 (603)	4-15/16 (126)	6-7/16 (164)	9/16 (15)	1-5/16 (34)	15/16 (23)	14-1/4 (362)

Dimension / Model	P	Q	R	S	T
18	2-7/8 (73)	2-15/16 (75)	5/16 (8)	2-5/8 (67)	1/4 (7)
24	2-7/8 (73)	2-15/16 (75)	5/16 (8)	2-5/8 (67)	1/4 (7)

INSTALLATION MANUAL

This manual provides the procedures of installation to ensure a safe and good standard of operation for the air conditioner unit. Special adjustment may be necessary to suit local requirement.

Before using your air conditioner, please read this instruction manual carefully and keep it for future reference.

This appliance is intended to be used by expert or trained users in shops, in light industry and on farms, or for commercial use by lay persons.

This appliance is not intended for use by persons, including children, with reduced physical, sensory or mental capabilities, or lack of experience and knowledge, unless they have been given supervision or instruction concerning use of the appliance by a person responsible for their safety.

Children should be supervised to ensure that they do not play with the appliance.

SAFETY PRECAUTIONS

WARNING

- Only qualified personnel must carry out the installation work. Installation must be done in accordance with this installation manual. Improper installation may result in water leakage, electric shock, or fire.
- When installing the unit in a small room, take measures to keep the refrigerant concentration from exceeding allowable safety limits. Excessive refrigerant leaks, in the event of an accident in a closed ambient space, can lead to oxygen deficiency.
- Use only specified accessories and parts for installation work. Failure to use specified parts may result in water leakage, electric shock, fire, or the unit falling.
- Install the air conditioner or heat pump on a foundation strong enough to withstand the weight of the unit. A foundation of insufficient strength may result in the unit falling and causing injuries.
- Take into account strong winds, typhoons, or earthquakes when installing. Improper installation may result in the unit falling and causing accidents.
- Make sure that a separate power supply circuit is provided for this unit and that all electrical work is carried out by qualified personnel according to local, state, and national regulations. An insufficient power supply capacity or improper electrical construction may lead to electric shock or fire.
- Make sure that all wiring is secured, that specified wires are used, and that no external forces act on the terminal connections or wires. Improper connections or installation may result in fire.
- When wiring, position the wires so that the electrical wiring box cover can be securely fastened. Improper positioning of the electrical wiring box cover may result in electric shock, fire, or the terminals overheating.
- Before touching electrical parts, turn off the unit.
- It is recommended to install a ground fault circuit interrupter if one is not already available. This helps prevent electric shock or fire.
- Securely fasten the outdoor unit terminal cover (panel). If the terminal cover/panel is not installed properly, dust or water may enter the outdoor unit causing fire or electric shock.
- When installing or relocating the system, keep the refrigerant circuit free from substances other than the specified refrigerant (R410A) such as air. Any presence of air or other foreign substance in the refrigerant circuit can cause an abnormal pressure rise or rupture, resulting in injury.
- Do not change the setting of the protection devices. If the pressure switch, thermal switch, or other protection device is shorted and operated forcibly, or parts other than those specified by Daikin are used, fire or explosion may occur.

CAUTION

- Do not touch the switch with wet fingers. Touching a switch with wet fingers can cause electric shock.
- Do not allow children to play on or around the unit to prevent injury.
- The heat exchanger fins are sharp enough to cut. To avoid injury wear gloves or cover the fins while working around them.
- Do not touch the refrigerant pipes during and immediately after operation as the refrigerant pipes may be hot or cold, depending on the condition of the refrigerant flowing through the refrigerant piping, compressor, and other refrigerant cycle parts. Your hands may suffer burns or frostbite if you touch the refrigerant pipes. To avoid injury, give the pipes time to return to normal temperature or, if you must touch them, be sure to wear proper gloves.
- Install drain piping to proper drainage. Improper drain piping may result in water leakage and property damage.
- Insulate piping to prevent condensation.
- Be careful when transporting the product.
- Do not turn off the power immediately after stopping operation. Always wait for at least 5 minutes before turning off the power. Otherwise, water leakage may occur.
- Do not use a charging cylinder. Using a charging cylinder may cause the refrigerant to deteriorate.
- Refrigerant R410A in the system must be kept clean, dry, and tight.
 - (a) Clean and Dry -- Foreign materials (including mineral oils such as SUNISO oil or moisture) should be prevented from getting into the system
 - (b) Tight -- R410A does not contain any chlorine, does not destroy the ozone layer, and does not reduce the earth's protection against harmful ultraviolet radiation. R410A can contribute to the greenhouse effect if it is released. Therefore, take proper measures to check for the tightness of the refrigerant piping installation. Read the chapter Refrigerant Piping and follow the procedures.
- Since R410A is a blend, the required additional refrigerant must be charged in its liquid state. If the refrigerant is charged in a state of gas, its composition can change and the system will not work properly.
- The indoor unit is for R410A. See the catalog for indoor models that can be connected. Normal operation is not possible when connected to other units.

- Remote controller (wireless kit) transmitting distance can be shorter than expected in rooms with electronic fluorescent lamps (inverter or rapid start types). Install the indoor unit far away from fluorescent lamps as much as possible.
- Indoor units are for indoor installation only. Outdoor units can be installed either outdoors or indoors. This unit is for indoor use.
- Do not install the air conditioner or heat pump in the following locations:
 - (a) Where a mineral oil mist or oil spray or vapor is produced, for example, in a kitchen. Plastic parts may deteriorate and fall off or result in water leakage.
 - (b) Where corrosive gas, such as sulfurous acid gas, is produced. Corroding copper pipes or soldered parts may result in refrigerant leakage.
 - (c) Near machinery emitting electromagnetic waves. Electromagnetic waves may disturb the operation of the control system and cause the unit to malfunction.
 - (d) Where flammable gas may leak, where there is carbon fiber, or ignitable dust suspension in the air, or where volatile flammables such as thinner or gasoline are handled. Operating the unit in such conditions can cause a fire.
- Take adequate measures to prevent the outdoor unit from being used as a shelter by small animals. Small animals making contact with electrical parts can cause malfunctions, smoke, or fire. Instruct the user to keep the area around the unit clean.

NOTE

- Install the power supply and inter-unit wires for the indoor and outdoor units at least 3.5ft away from televisions or radios to prevent image interference or noise. Depending on the radio waves, a distance of 3.5ft may not be sufficient to eliminate the noise.
- Dismantling the unit, treatment of the refrigerant, oil and additional parts must be done in accordance with the relevant local, state, and national regulations.
- Do not use the following tools that are used with conventional refrigerants: gauge manifold, charge hose, gas leak detector, reverse flow check valve, refrigerant charge base, vacuum gauge, or refrigerant recovery equipment.
- If the conventional refrigerant and refrigerator oil are mixed in R410A, the refrigerant may deteriorate.
- This air conditioner or heat pump is an appliance that should not be accessible to the general public.
- As design pressure is 536 psi, the wall thickness field-installed pipes should be selected in accordance with the relevant local, state, and national regulations.

DANGER

- Refrigerant gas is heavier than air and replaces oxygen. A massive leak can lead to oxygen depletion, especially in basements, and an asphyxiation hazard could occur leading to serious injury or death.
- Do not ground units to water pipes, gas pipes, telephone wires, or lightning rods as incomplete grounding can cause a severe shock hazard resulting in severe injury or death. Additionally, grounding to gas pipes could cause a gas leak and potential explosion causing severe injury or death.
- If refrigerant gas leaks during installation, ventilate the area immediately. Refrigerant gas may produce toxic gas if it comes into contact with fire. Exposure to this gas could cause severe injury or death.
- After completing the installation work, check that the refrigerant gas does not leak throughout the system.
- Do not install unit in an area where flammable materials are present due to risk of explosions that can cause serious injury or death.
- Safely dispose all packing and transportation materials in accordance with federal/state/local laws or ordinances. Packing materials such as nails and other metal or wood parts, including plastic packing materials used for transportation may cause injuries or death by suffocation.

NOTICE

Disposal requirements

Your air conditioning product is marked with this symbol. This means that electrical and electronic products shall not be mixed with unsorted household waste.

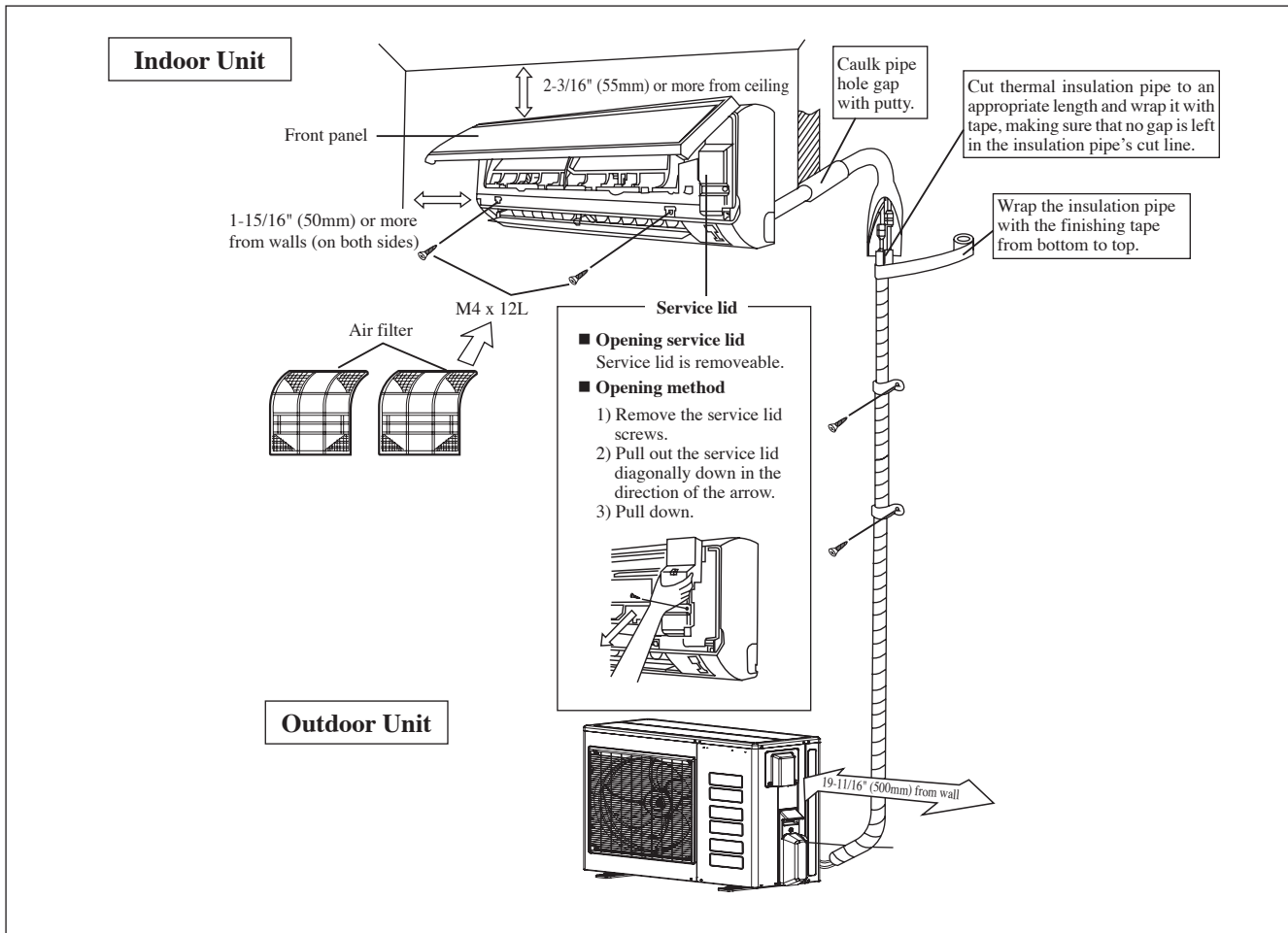
Do not try to dismantle the system yourself: the dismantling of the air conditioning system, treatment of the refrigerant, of oil and of other parts must be done by a qualified installer in accordance with relevant local and national legislation.

Air conditioners must be treated at a specialized treatment facility for re-use, recycling and recovery. By ensuring this product is disposed of correctly, you will help to prevent potential negative consequences for the environment and human health. Please contact the installer or local authority for more information.

Batteries must be removed from the remote controller and disposed of separately in accordance with relevant local and national legislation.



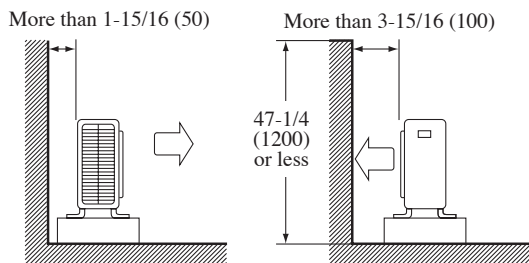
INSTALLATION DIAGRAM



INSTALLATION OF THE OUTDOOR UNIT (09/12)

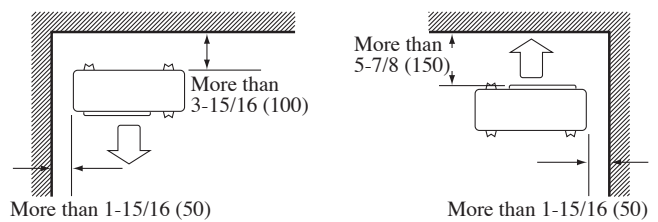
- Where a wall or other obstacle is in the path of outdoor unit's intake or exhaust airflow, follow the installation guidelines below.
- For any of the below installation patterns, the wall height on the exhaust side should be 47-1/4" (1200mm) or less.

Wall facing one side



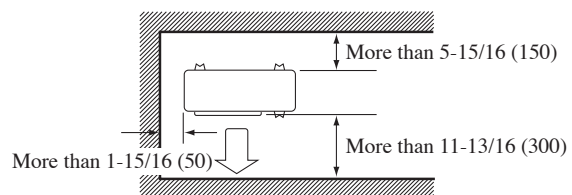
Side View

Wall facing two sides



Top View

Wall facing three sides

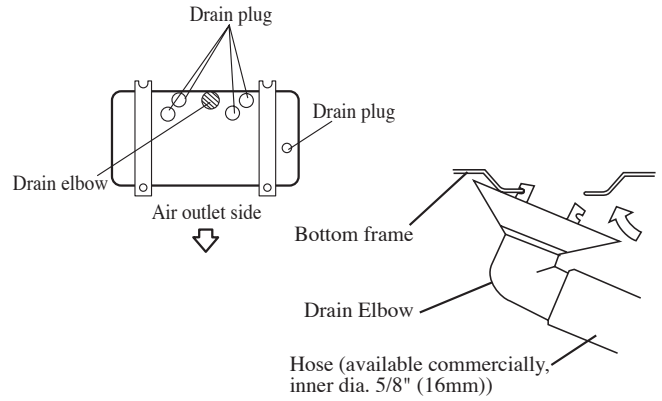


Top View

Unit : Inch (mm)

Drain work. (Heat Pump Unit Only)

- 1) Use drain elbow for drainage.
- 2) If the drain port is covered by a mounting base or floor surface, place additional foot bases of at least 1-3/16" (30mm) in height under the outdoor unit's feet.
- 3) In cold areas, do not use a drain elbow, drain plugs and a drain hose with the outdoor unit. (Otherwise, drain water may freeze, impairing heating performance.)



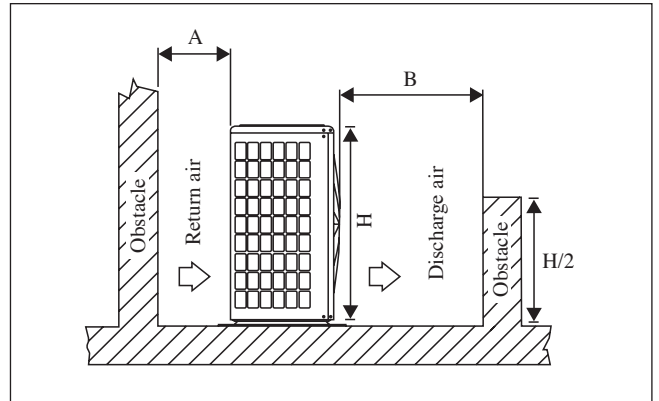
INSTALLATION OF THE OUTDOOR UNIT (18/24)

The outdoor unit must be installed in such a way, so as to prevent short circuit of the hot discharged air or obstruction to the smooth air flow. Please follow the installation clearances shown in the figure. Select the coolest possible place where intake air temperature is not greater than the outside air temperature (Refer to operating range).

Installation clearances

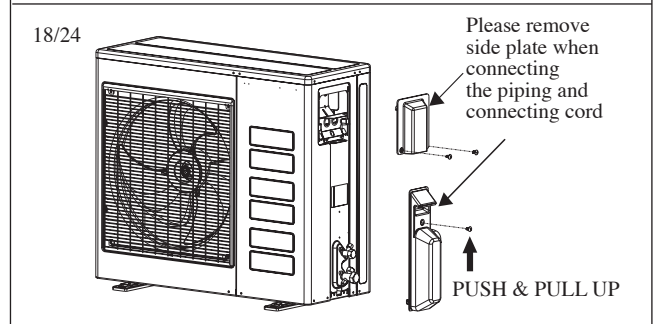
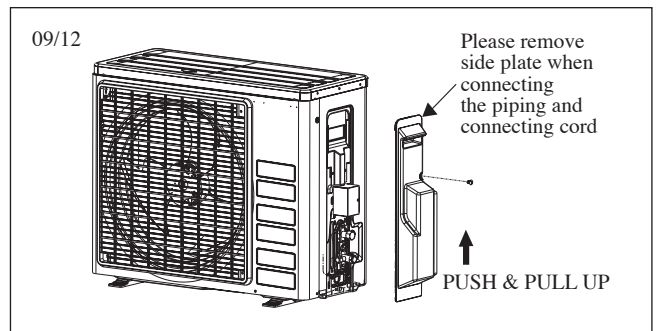
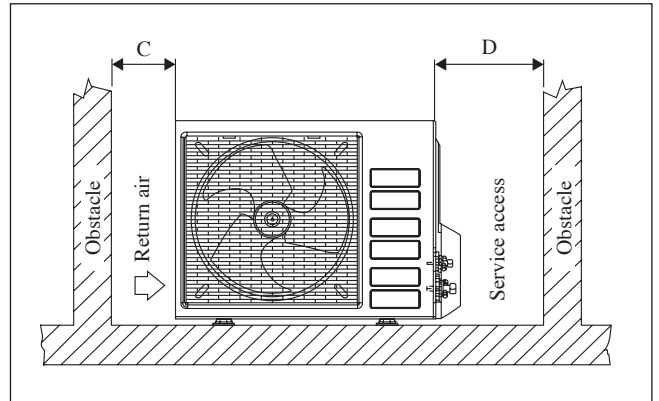
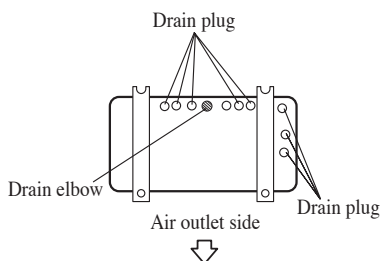
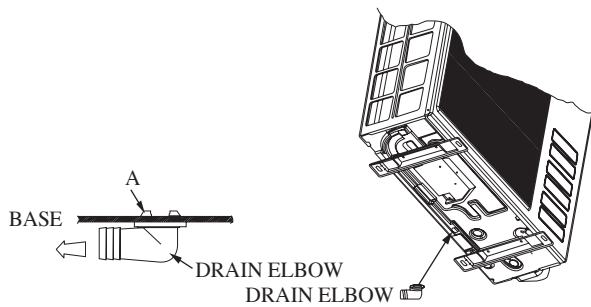
Dimension	A	B	C	D
Minimum Distance, Inch (mm)	11-13/16 (300)	39-3/8 (1000)	11-13/16 (300)	19-11/16 (500)

Note: If there is any obstacle higher than half, of the unit's height (H), please allow more space than the figure indicated in the above table.



Condensed Water Disposal Of Outdoor Unit (Heat Pump Unit Only)

- There are 10 holes on the base of Outdoor Unit for condensed water to flow out. Insert the drain elbow to one of the holes.
- To install the drain elbow, first insert one portion of the hook to the base (portion A), then pull the drain elbow in the direction shown by the arrow while inserting the other portion to the base. After installation, check to ensure that the drain elbow clings to base firmly.
- If the unit is installed in a snowy and chilly area, condensed water may freeze in the base. In such case, please remove plug at the bottom of unit to smooth the drainage.



INSTALLATION OF THE OUTDOOR UNIT

1. Precautions for Selecting a Location

- 1) Choose a place solid enough to bear the weight and vibration of the unit, where the operating sound will not be amplified.
- 2) Choose a location where the hot air discharged from the unit or the operating sound will not cause a nuisance to the neighbors of the user.
- 3) Avoid locations, such as near bedrooms, where the operating sound may cause disturbance.
- 4) There must be sufficient space to carry the unit into and out of the site.
- 5) There must be sufficient space for air passage and no obstructions around the air inlet and the air outlet.
- 6) The site must not be prone to flammable gas leaks in the surrounding area.
- 7) Install units, power cords and inter-unit wire at least 10ft (3m) away from television and radio sets. (This is to prevent interference to images and sounds. Noise may be produced even if they are more than 10ft (3m) away depending on radio wave conditions.)
- 8) In coastal areas or other places with a salty atmosphere or one containing sulfate gas, corrosion may shorten the life of the air conditioner.
- 9) Since water will flow from the drain of the outdoor unit, do not place under the unit anything which must be kept away from moisture.

NOTE

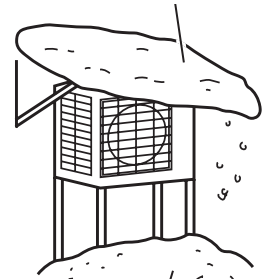
Cannot be installed suspended from a ceiling or stacked.

CAUTION

When operating the air conditioner in a low outdoor ambient temperature, be sure to follow the instructions described below.

- To prevent exposure to wind, install the outdoor unit with its suction side facing the wall.
- Never install the outdoor unit at a site where the suction side may be exposed directly to wind.
- To prevent exposure to wind, it is recommended to install a baffle plate on the air discharge side of the outdoor unit.
- In heavy snow areas, select an installation site where the snow will not affect the unit.
- If there is a likelihood of snow accumulating on the outdoor unit, attach a snow protection hood.
- In high humidity areas or heavy snow areas, it is recommended to attach a drain pan heater to prevent ice build-up from the bottom frame.

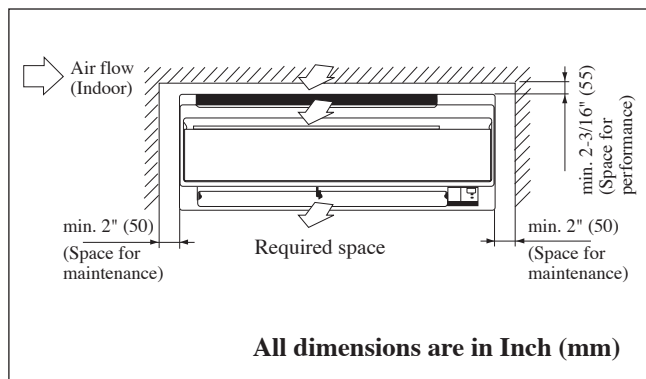
- Construct a large canopy.
- Construct a pedestal.



Install the unit high enough off the ground to prevent burying in snow

INSTALLATION OF THE INDOOR UNIT

The indoor unit must be installed in such a way so as to prevent short circuit of the cool discharged air with the hot return air. Please follow the installation clearance shown in the figure. Do not place the indoor unit where there could be direct sunlight shining on it. Also, this location must be suitable for piping and drainage, and be away from doors or windows.



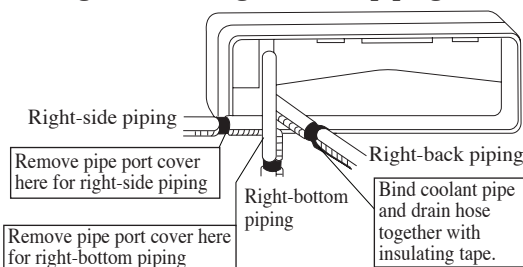
All dimensions are in Inch (mm)

⚠ CAUTION

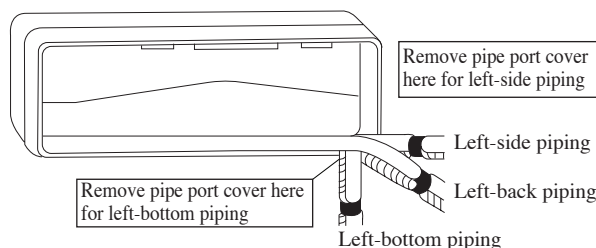
- Must be mounted with the lowest moving parts at least 8ft (2.4m) above floor or grade level.

The refrigerant piping can be routed to the unit in a number of ways (left or right from the back of the unit), by using the cut-out holes on the casing of the unit. Bend the pipes carefully to the required position in order to align it with the holes. For the side and bottom out, hold the bottom of the piping and then position it to the required direction. The condensation drain hose can be taped to the pipes.

Right-side, right-back or right-bottom piping



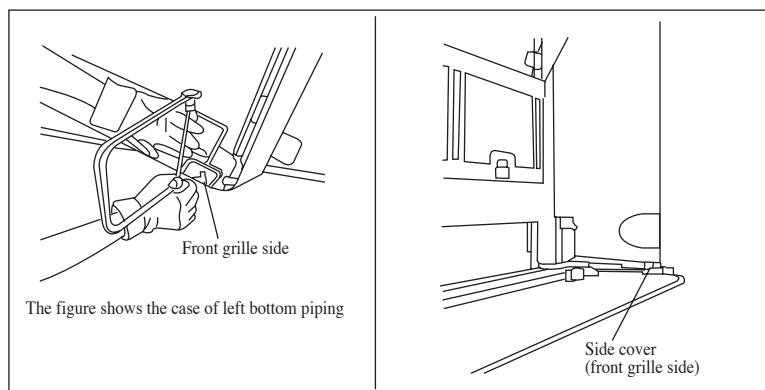
Left-side, left-back or left-bottom piping



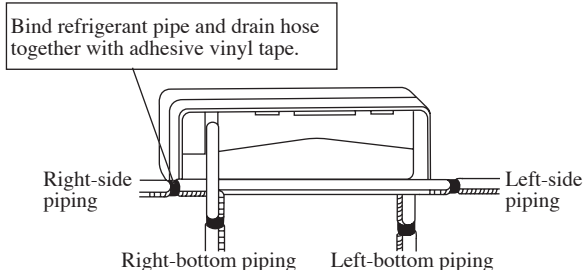
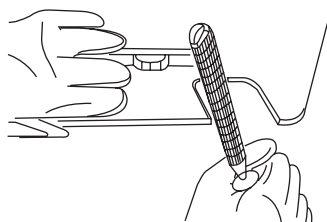
Bottom or side piping

- 1) Cut off pipe port cover with a coping saw.
 - For bottom piping: On the bottom of the front grille
 - For side piping: On the side cover (front grille side and unit side)

Apply the blade of the coping saw to the notch, and cut off the pipe port cover along the uneven inner surface.



- 2) After cutting off the pipe cover, perform filing. Remove the burrs along the cut section using a half round needle file.
- 3) Wrap the inter-unit wire, refrigerant pipes and drain hose together with insulation tape. Then, insert the drain hose and refrigerant pipes into the wall hole after inserting them into the cut out piping hole opened.



NOTE

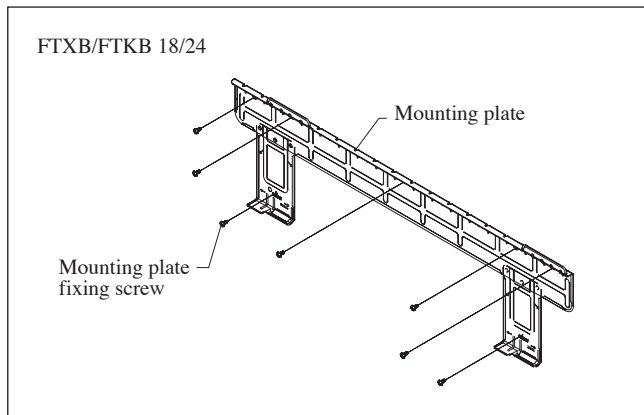
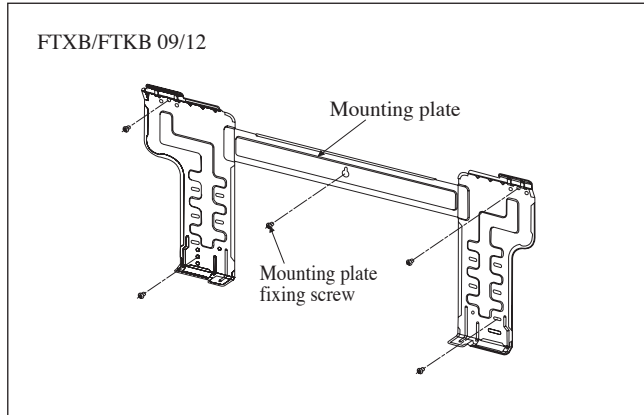
- Be careful not to let chips enter the driving section of the arm.
- Be careful not to put pressure on the lower front panel.

Mounting Installation Plate

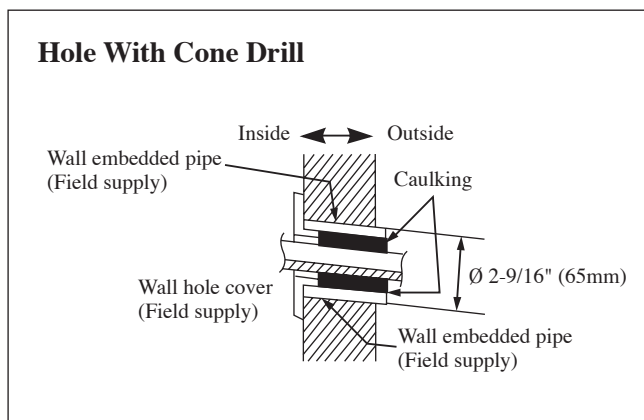
Ensure that the wall is strong enough to withstand the weight of the unit. Otherwise, it is necessary to reinforce the wall with plates, beams or pillars.

Use the level gauge for horizontal mounting, and fix it with 5 suitable screws for FTXB/FTKB 09/12 and 7 suitable screws for FTXB/FTKB 18/24.

In case the rear piping draws out, drill a hole 2-9/16" (65mm) in diameter with a cone drill, slightly lower on the outside wall (see figure).



Drilling a Wall Hole and Installing Wall Embedded Pipe



Mount The Unit Onto The Installation Plate

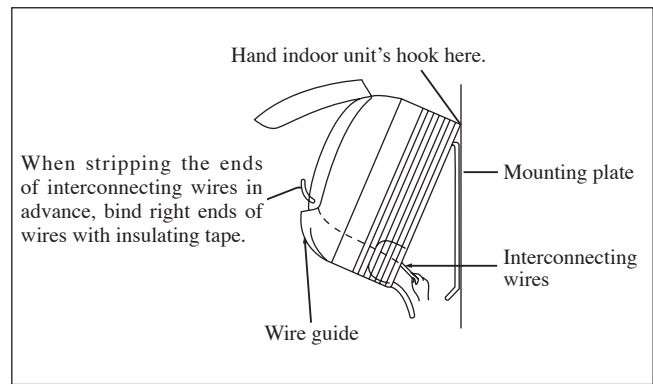
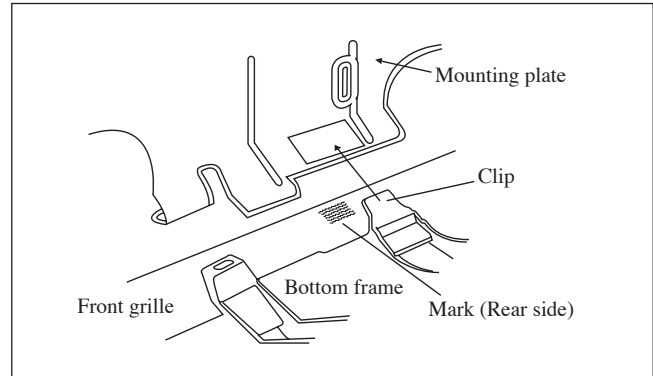
Hook the indoor unit onto the upper portion of the installation plate (Engage the two hooks at the rear top of the indoor unit with the upper edge of the installation plate). Ensure that the hooks are properly seated on the installation plate by moving it to the left and right.

How To Attach The Indoor Unit

Hook the claws of the bottom frame to the mounting plate.

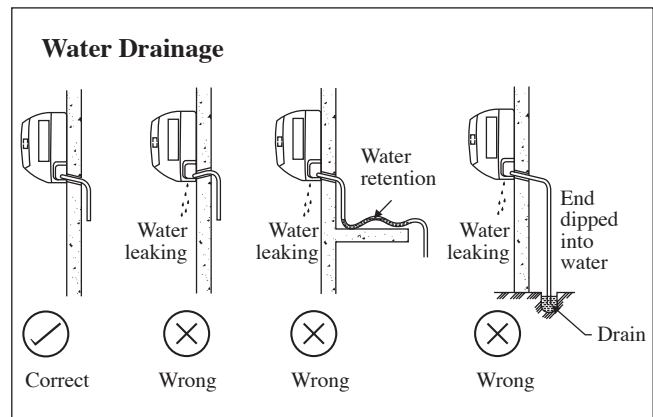
How To Remove The Indoor Unit

Push up the marked area (at the lower part of the front grille) to release the claws.



Water Drainage Piping

The indoor drain pipe must be in a downward gradient for smooth drainage. Avoid situations that are likely to cause water to leak.



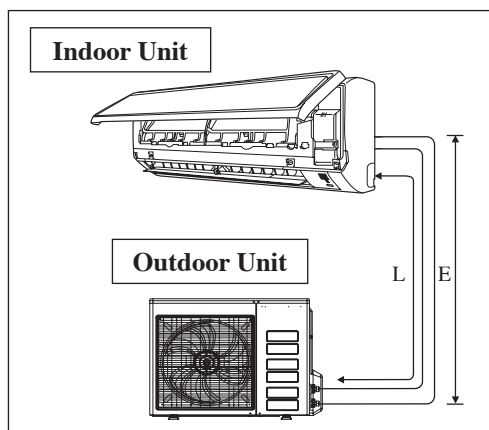
CAUTION

- Do not install the unit at altitude over 6560ft (2000m) for both indoor & outdoor.

REFRIGERANT PIPING

Allowable Piping Length

If the pipe is too long, both the capacity and reliability of the unit will drop. As the number of bends increases, resistance to the flow of refrigerant system increases, thus lowering cooling capacity. As a result, the compressor may become defective. Always choose the shortest path and follow the recommendations as tabulated below:



Model	Indoor (FTXB/FTKB)	09	12	18	24
	Outdoor (RXB/RKB)	09	12	18	24
Min. Allowable Length (L), ft/(m)		9.84' (3)		9.84' (3)	
Max. Allowable Length (L), ft/(m)		65.6' (20)		98.4' (30)	
Max. Allowable Elevation (E), ft/(m)		32.8' (10)		32.8' (10)	
Gas Pipe Size, in/(mm)		3/8" (9.52)		1/2" (12.70)	5/8" (15.88)
Liquid Pipe Size, in/(mm)		1/4" (6.35)		1/4" (6.35)	

*Be sure to add the proper amount of additional refrigerant. Failure to do so may result in reduced performance.

Remark: The refrigerant pre-charged in the outdoor unit is for piping length up to 25ft (7.6m).

Equivalent length for various fitting [Feet (meter)]

Pipe Size	L joint
3/8" (OD9.52mm)	0.59' (0.18)
1/2" (OD12.7mm)	0.66' (0.20)
5/8" (OD15.9mm)	0.82' (0.25)
3/4" (OD19.1mm)	1.15' (0.35)
7/8" (OD22.2mm)	1.31' (0.40)
1" (OD25.4mm)	1.48' (0.45)
1 1/8" (OD28.6mm)	1.64' (0.50)
1 3/8" (OD34.9mm)	1.97' (0.60)

Notes:

1. Equivalent piping length is obtained with actual length of gas piping.
2. 90° bend of piping is equivalent to L joint.

Bending must be carefully made so as not to crush the pipe. Use a pipe bender to bend a pipe where possible.

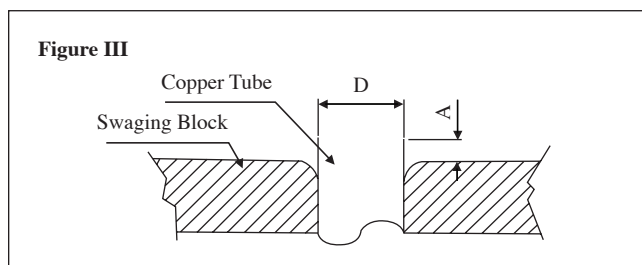
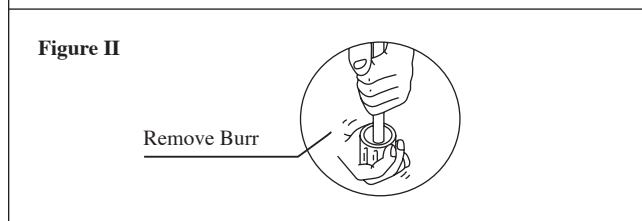
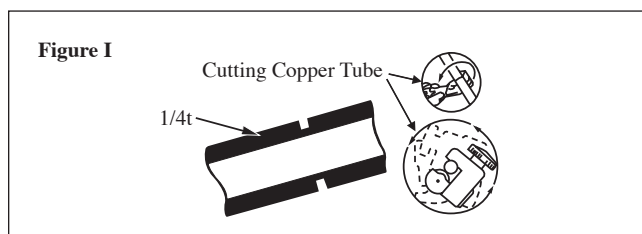
Piping Works And Flaring Technique

- Do not use contaminated or damaged copper tubing. If any piping, evaporator or condenser had been exposed or had been opened for 15 seconds or more, the system must be vacuumed. Generally do not remove plastic, rubber plugs and brass nuts from the valves, fittings, tubing and coils until it is ready to connect suction or liquid line into valves or fittings.
- If any brazing work is required, ensure that nitrogen gas is passed through coil and joints while the brazing work is being done. This will eliminate soot formation on the inside wall of copper tubings.
- Cut the pipe stages by stages, advancing the blade of pipe cutter slowly. Extra force and a deep cut will cause more distortion of pipe and therefore extra burr. See Figure I.
- Remove burrs from cut edges of the pipes with remover. See Figure II. Hold the pipe on top position and burr remover at lower position to prevent metal chips from entering the pipe. This will avoid unevenness on the flare faces which will cause gas leak.
- Insert the flare nuts, mounted on the connection parts of both the indoor unit and outdoor unit, into the copper pipes.
- The exact length of pipe protruding from the top surface of the swaging block is determined by the flaring tool. See Figure III.
- Fix the pipe firmly on the swaging block. Match the centers of both the swaging block and the flaring punch, then tighten the flaring punch fully.
- The refrigerant pipe connection are insulated by closed cell polyurethane.

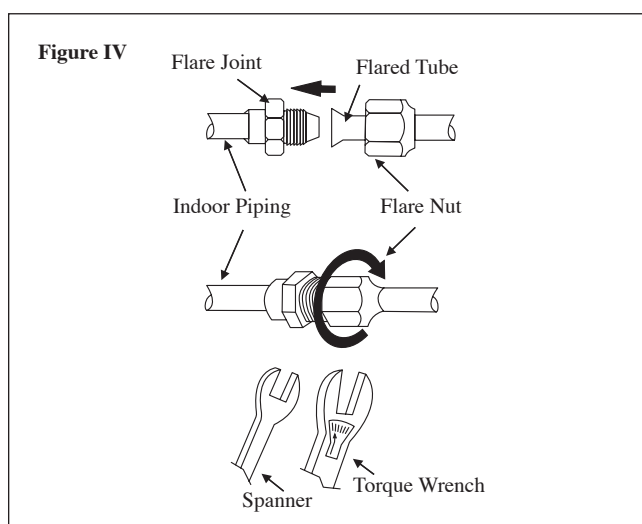
Piping Connection To The Units

- Align the center of the piping and tighten the flare nut sufficiently with fingers. See Figure IV.
- Finally, tighten the flare nut with torque wrench until the wrench clicks.
- When tightening the flare nut with the torque wrench, ensure that the tightening direction follows the arrow indicated on the wrench.
- The refrigerant pipe connection are insulated by closed cell polyurethane.

Pipe Size, in (mm)	Torque, ft-lb (Nm)
1/4" (6.35)	13.3 (18)
3/8" (9.52)	31.0 (42)
1/2" (12.70)	40.6 (55)
5/8" (15.88)	48.0 (65)
3/4" (19.05)	57.6 (78)

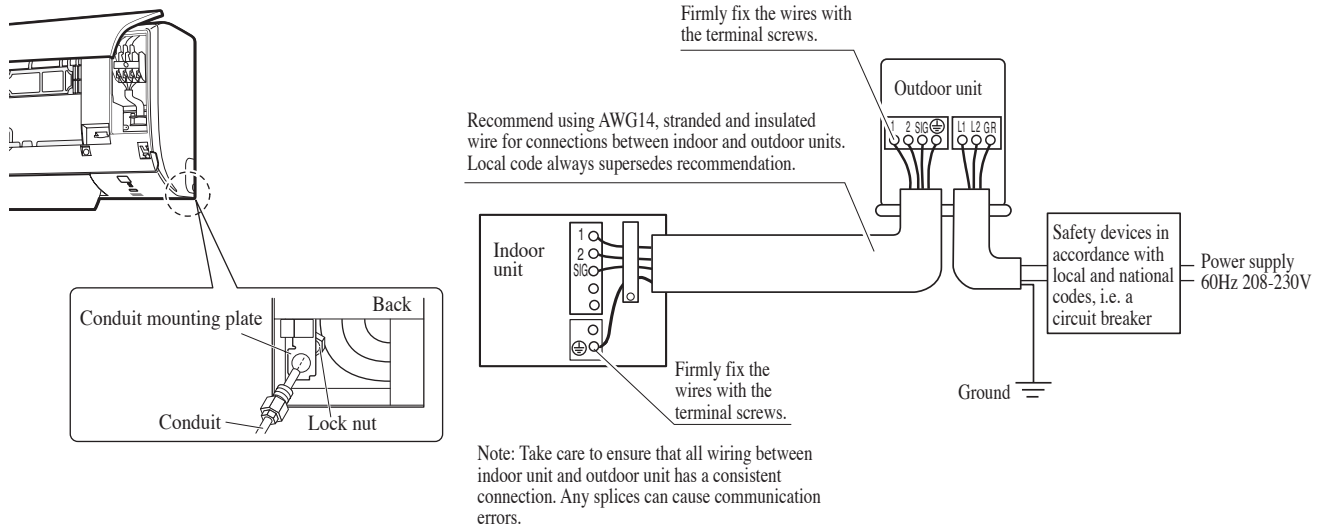


Ø Tube, D		A (Inch/mm)	
Inch	mm	Imperial (Wing-nut Type)	Rigid (Clutch Type)
1/4"	6.35	0.051" (1.3)	0.028" (0.7)
3/8"	9.52	0.063" (1.6)	0.039" (1.0)
1/2"	12.70	0.075" (1.9)	0.051" (1.3)
5/8"	15.88	0.087" (2.2)	0.067" (1.7)
3/4"	19.05	0.098" (2.5)	0.079" (2.0)



ELECTRICAL WIRING CONNECTION

- IMPORTANT :** * The figures shown in the table are for information purpose only. They should be checked and selected to comply with the local/national codes of regulations. This is also subject to the type of installation and conductors used.
- ** The appropriate voltage range should be checked with label data on the unit.

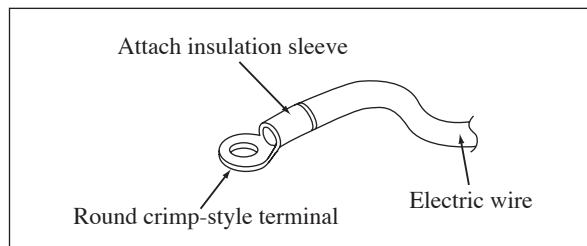


⚠ CAUTION

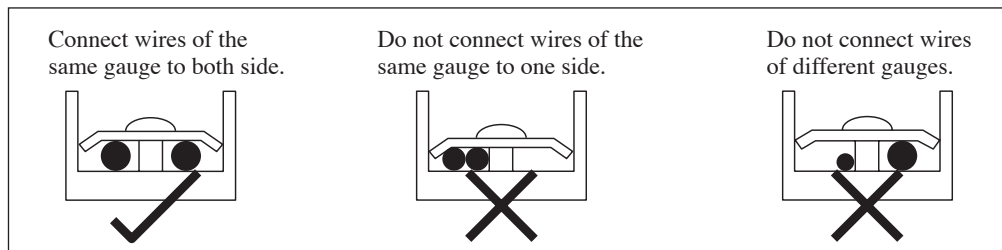
- Entire PCB replacement required if fuse failure occurs.

RXB09/12*, RKB09/12*	15A
RXB18/24*, RKB18/24*	20A

- All wires must be firmly connected.
- Make sure all the wire do not touch the refrigerant pipings, compressor or any moving parts.
- Make sure no external pressure is applied to the terminal connectors and wires.
- Make sure all the covers are properly fixed to avoid any gap.
- Use round crimp-style terminal for connecting wires to the power supply terminal block. Connect the wires by matching to the indication on terminal block. (Refer to the wiring diagram attached on the unit).



- Use the correct screwdriver for terminal screws tightening. Unsuitable screwdrivers can damage the screw head.
- Over tightening can damage the terminal screws.
- Do not connect wire of different gauge to same terminal.
- Keep wiring in an orderly manner. Prevent the wiring from obstructing other parts and the terminal box cover.

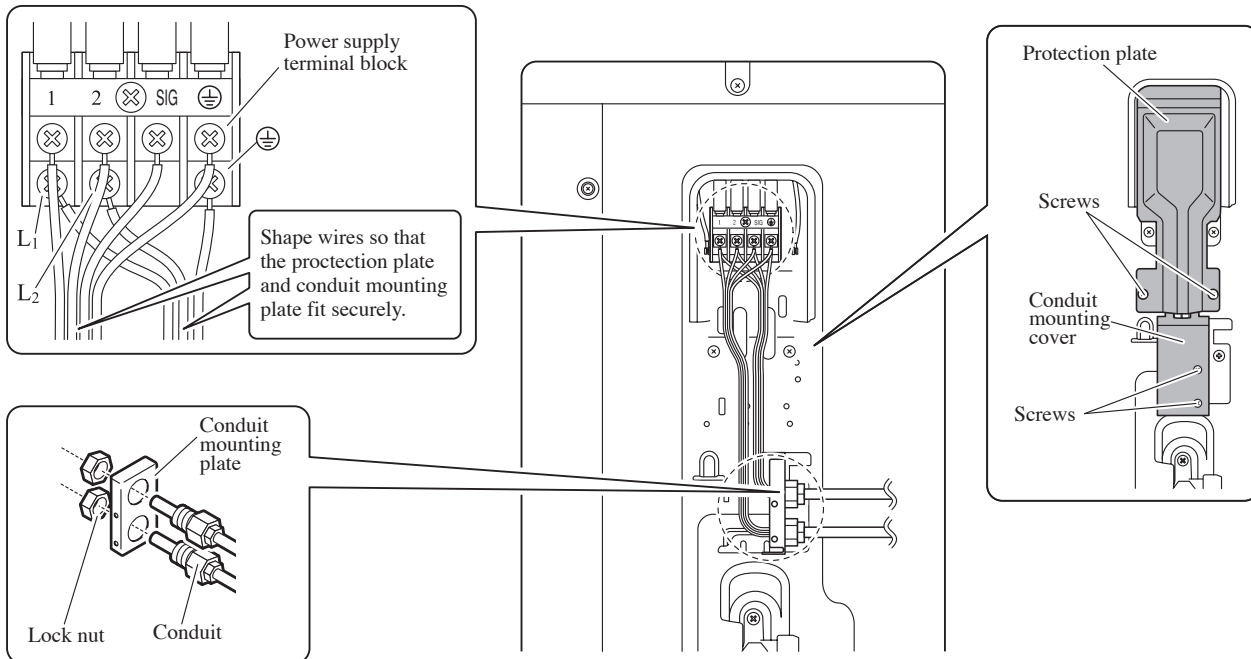


ELECTRICAL WIRING CONNECTION

09/12 class

[Method of mounting conduit]

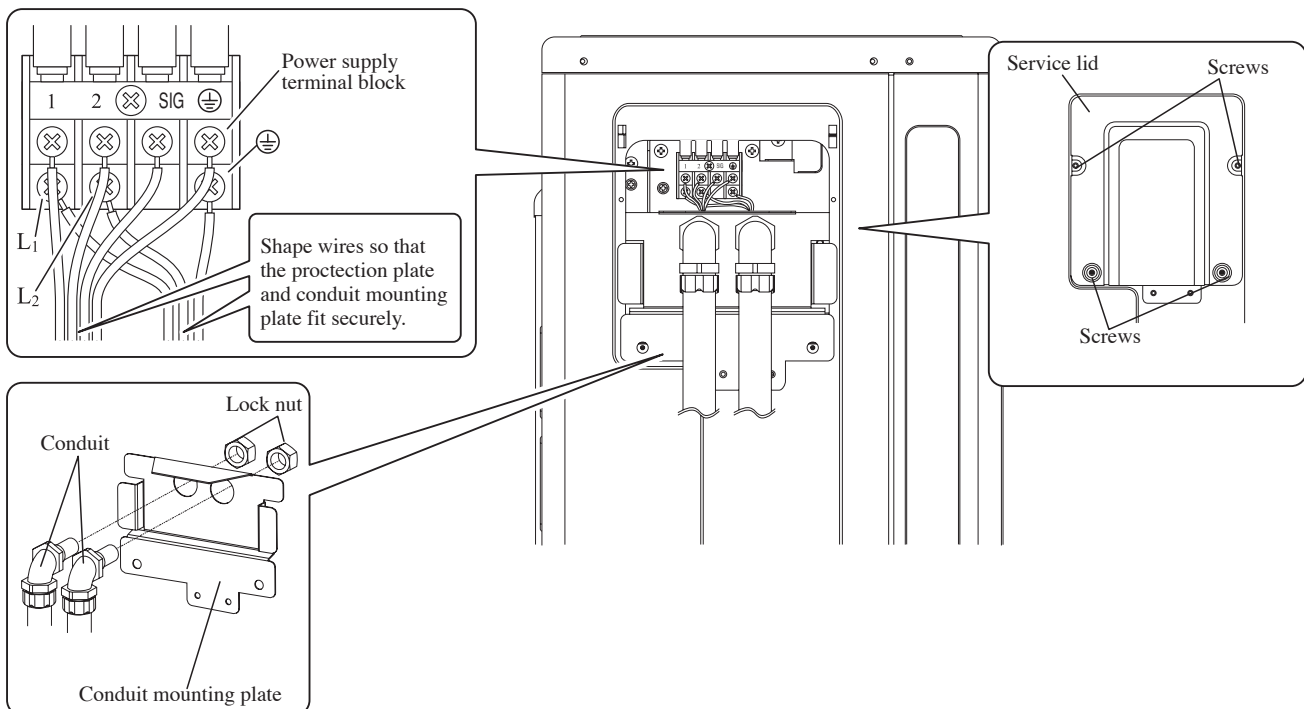
- A protection plate is fixed for protection from the high-voltage section.
- 1) Dismount the stop valve cover by removing the screw.
 - 2) Dismount the protection plate by removing the 2 screws.
 - 3) Dismount the conduit mounting cover by removing the 2 screws.
 - 4) Pass wires through the conduit and secure them with a lock nut.
 - 5) After completing the work, reattach the stop valve cover, the conduit mounting cover, and the protection plate to its original position.



18/24 class

[Method of mounting conduit]

- 1) Dismount the service lid by removing the screws.
- 2) Pass wires through the conduit and secure them with a lock nut.
- 3) After completing the work, reattach the service lid to its original position.



SPECIAL PRECAUTIONS WHEN DEALING WITH R410A UNIT

R410A is a new HFC refrigerant which does not damage the ozone layer. The working pressure of this new refrigerant is 1.6 times higher than conventional refrigerant (R22), thus proper installation/servicing is essential.

- Never use refrigerant other than R410A in an air conditioner which is designed to operate with R410A.
- POE or PVE oil is used as lubricant for R410A compressor, which is different from the mineral oil used for R22 compressor. During installation or servicing, extra precaution must be taken not to expose the R410A system too long to moist air. Residual POE or PVE oil in the piping and components can absorb moisture from the air.
- To prevent mischarging, the diameter of the service port on the flare valve is different from that of R22.

- Use tools and materials exclusively for refrigerant R410A. Tools exclusively for R410A are manifold valve, charging hose, pressure gauge, gas leak detector, flare tools, torque wrench, vacuum pump and refrigerant cylinder.
- As an R410A air conditioner incurs higher pressure than R22 units, it is essential to choose the copper pipes correctly.
- If the refrigerant gas leakage occurs during installation/servicing, be sure to ventilate fully. If the refrigerant gas comes into contact with fire, a poisonous gas may occur.
- When installing or removing an air conditioner, do not allow air or moisture to remain in the refrigerant cycle.

VACUUMING AND CHARGING

Vacuumping is necessary to eliminate all moisture and air from the system.

Vacuumping The Piping And The Indoor Unit

Except for the outdoor unit which is pre-charged with refrigerant, the indoor unit and the refrigerant connection pipes must be air-purged because the air containing moisture that remains in the refrigerant cycle may cause malfunction of the compressor.

- Remove the caps from the valve and the service port.
- Connect the center of the charging gauge to the vacuum pump.
- Connect the charging gauge to the service port of the 3-way valve.
- Start the vacuum pump. Evacuate for approximately 30 minutes. The evacuation time varies with different vacuum pump capacity. Confirm that the charging gauge needle has moved towards -14.7psi (-760mmHg).

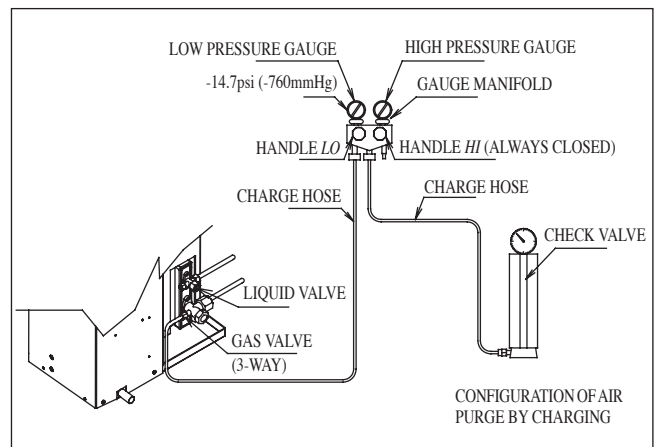
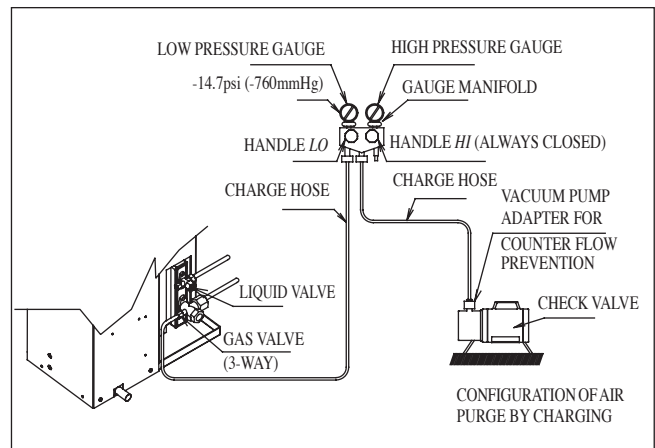
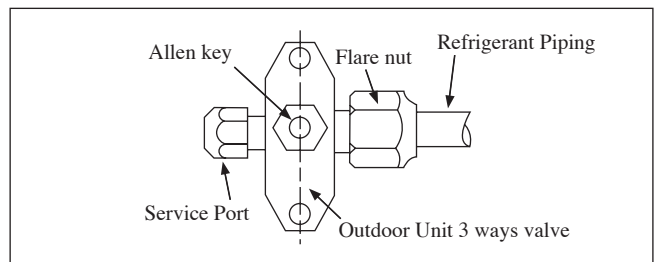
Caution

- If the gauge needle does not move to -14.7psi (-760mmHg), be sure to check for leakage at flare type connection of the indoor and outdoor unit and repair the leak before proceeding to the next step.
- Close the valve of the charging gauge and stop the vacuum pump.
- On the outdoor unit, open the suction valve (3 way) and liquid valve (2 way) (in anti-clockwise direction) with 5/32" (4mm) key for hexagon sacked screw.

Charge Operation

This operation must be done by using a gas cylinder and a precise weighing machine. The additional charge is topped-up into the outdoor unit using the suction valve via the service port.

- Remove the service port cap.
- Connect the low pressure side of the charging gauge to the suction service port center of the cylinder tank and close the high pressure side of the gauge. Purge the air from the service hose.
- Start the air conditioner unit.
- Open the gas cylinder and low pressure charging valve.
- When the required refrigerant quantity is pumped into the unit, close the low pressure side and the gas cylinder valve.
- Disconnect the service hose from service port. Put back the service port cap.



ADDITIONAL CHARGE

The refrigerant is pre-charged in the outdoor unit. If the piping length is less than 25ft (7.6m), then additional charge after vacuuming is not necessary. If the piping length is more than 25ft (7.6m), then use the additional charge value as indicated in the table.

Additional refrigerant charge [oz (g)] per additional 3.28ft (1m) length as tabulated.

Model	Indoor (FTXB/FTKB)	09	12	18	24
	Outdoor (RXB/RKB)	09	12	18	24
Additional charge [oz/ft (g/m)]		0.21 (20)	0.21 (20)	0.21 (20)	0.21 (20)

Example:

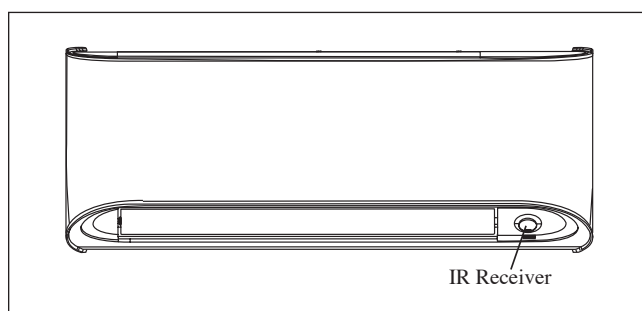
FTXB09 & RXB09 with 39.4ft (12m) piping length, additional piping length is 14.4ft (4.4m).
 Thus, Additional charge = 14.4ft (4.4m) x 0.21oz/ft [20g/m]
 = 3.024oz [88.0g]

INDICATOR LIGHTS

IR Signal Receiver

When an infrared remote control operating signal has been transmitted, the signal receiver on the indoor unit will respond as below to confirm acceptance of the signal transmission.

ON to OFF	1 Long Beep
OFF to ON Pump down / Cool force on	2 Short Beep
Others	1 Short Beep

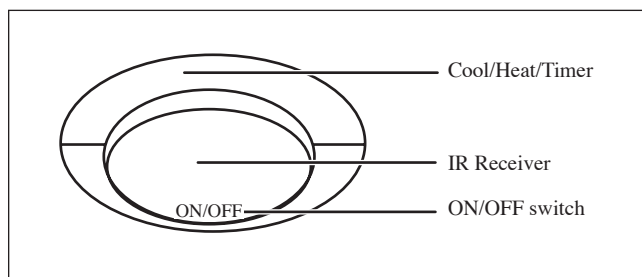


Cooling Unit/Heat Pump Unit

The table shows the LED indicator lights for the air conditioner unit under normal operation and fault conditions. The LED indicator lights are located at the side of the air conditioner unit.

The heat pump units are equipped with an “auto” mode sensor whereby it will provide reasonable room temperature by switching automatically to either “cool” or “heat” mode according to the temperature set by the user.

LED Indicator Lights for Cooling Unit/Heat Pump Unit



LED Indicator Lights: Normal Operation And Fault Conditions For Cooling/Heat Pump Unit

 COOL/HEAT/TIMER (BLUE/RED/VIOLET)	Operation
○ BLUE	Cool mode
○ RED	Heat mode
○ RED	Auto mode in Heating operation
○ BLUE	Auto mode in Cooling operation
○ VIOLET	Timer on
○ BLUE	Fan mode on
○ BLUE	Dry mode on
◐ RED	Defrost operation
◐ BLUE	Unit error

○ ON

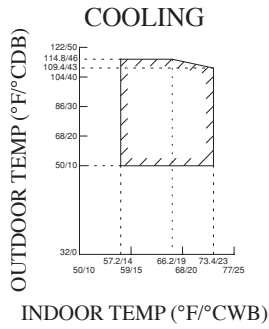
◐ Blinking

OPERATING RANGE

Cooling Only Model

Model: FTKB 09/12

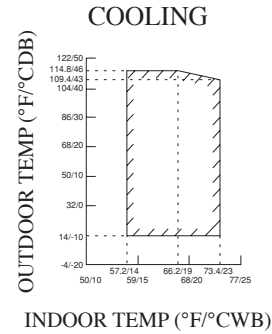
RKB 09/12



DB: Dry bulb

Model: FTKB 18/24

RKB 18/24

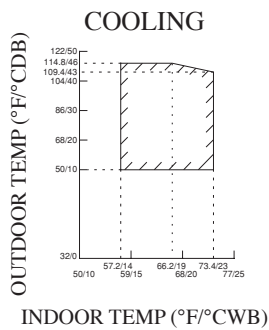


WB: Wet bulb

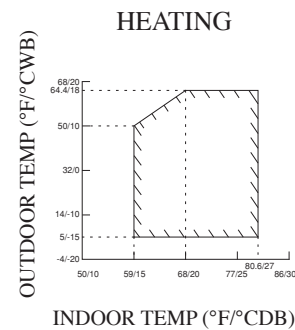
Heat Pump Model

Model: FTXB 09/12

RXB 09/12



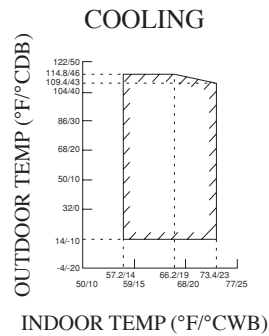
DB: Dry bulb



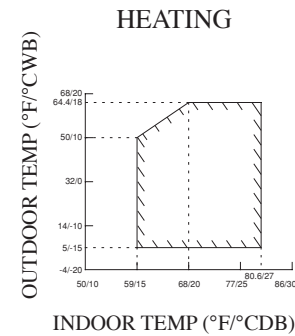
WB: Wet bulb

Model: FTXB 18/24

RXB 18/24



DB: Dry bulb

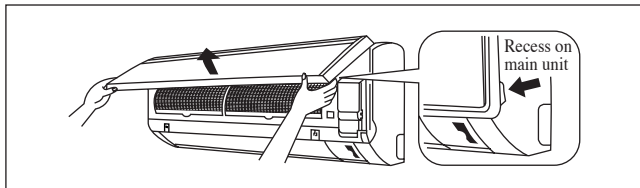


WB: Wet bulb

AIR FILTER

1. Open the front panel.

- Hold the panel at the recesses on the main unit (2 recesses on right and left sides) and lift it until it stops.



2. Pull out the air filters.

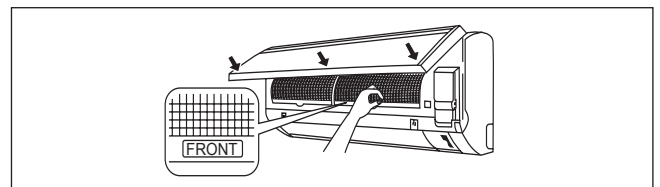
- Push a little upwards the tab at the center of each air filter, then pull it down.

3. Clean or replace each filter.

- When shaking off remaining water, do not wring the filter.

4. Set the air filter and close the front panel.

- Insert claws of the filters into slots of the front panel. Close the front panel slowly and push the panel at the 3 points. (1 on each side and 1 in the middle.)
- The air filter have a symmetrical form in the horizontal direction.



SERVICE AND MAINTENANCE

Service Parts	Maintenance Procedures	Period
Indoor air filter	<ol style="list-style-type: none"> 1. Remove any dust adhering to the filter by using a vacuum cleaner or wash in lukewarm water (below 40°C/104°F) with a neutral cleaning detergent. 2. Rinse the filter well and dry before placing it back onto the unit. 3. Do not use gasoline, volatile substances or chemicals to clean the filter. 	At least once every 2 weeks. More frequently if necessary.
Indoor unit	<ol style="list-style-type: none"> 1. Clean any dirt or dust on the grille or panel by wiping it with a soft cloth soaked in lukewarm water (below 40°C/104°F) and a neutral detergent solution. 2. Do not use gasoline, volatile substances or chemicals to clean the indoor unit. 	At least once every 2 weeks. More frequently if necessary.

⚠ CAUTION

- Avoid direct contact of any coil treatment cleaners on plastic part. This may cause plastic part to deform as a result of chemical reaction.

1. Open the front panel.

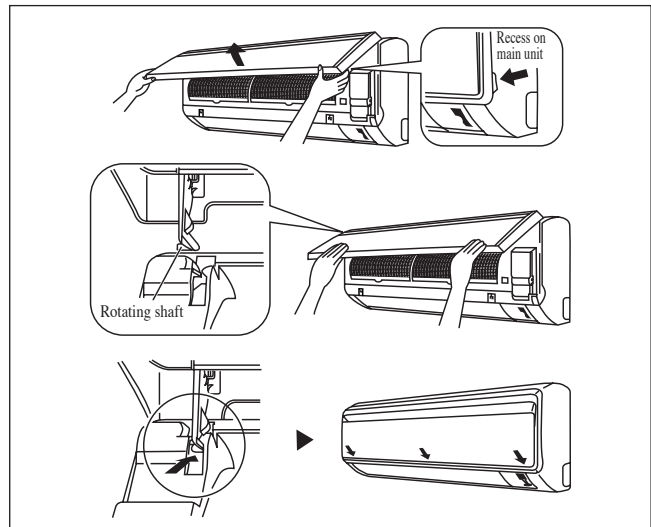
- Hold the panel at the recesses on the main unit (2 recesses on right and left sides) and lift it until it stops.

2. Remove the front panel.

- While lifting the front panel further, slide it to the right and pull it to the front side. The left rotating shaft is detached. Slide the right rotating shaft to the left and pull it to the front side to remove it.

3. Attach the front panel.

- Align the right and left rotating shafts of the front panel with the grooves and push them all the way in.
- Gently close the front panel. (Push both ends and the center on the front panel.)



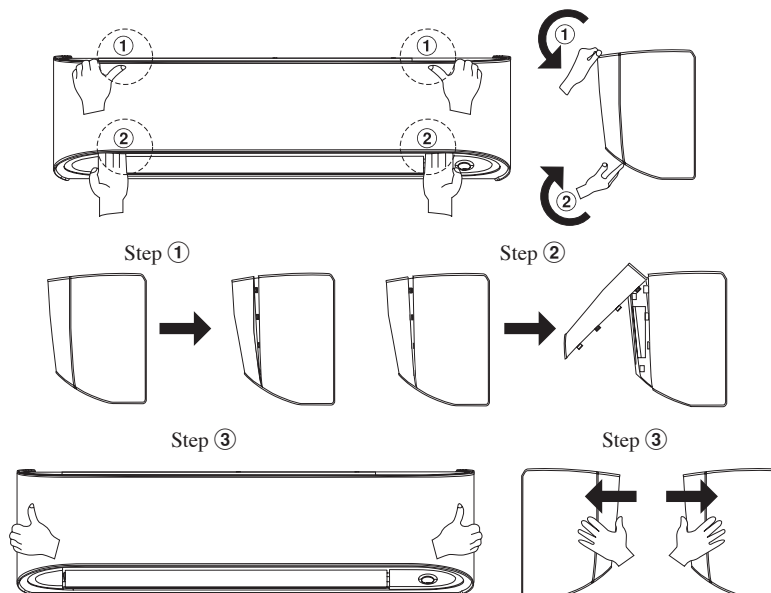
Front Panel Opening & Closing Sequence

To open the front panel

1) Lift up the two tips of front panel ① until it stops at the pre-fix position.

2) Lift up the two tips of front panel ② to open it and access to inner parts.

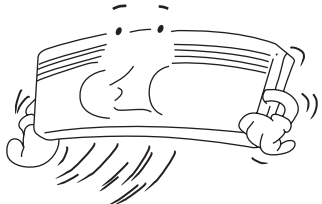
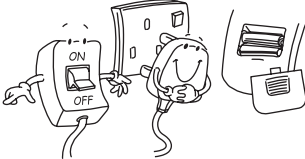
To close the front panel, reverse the steps of opening sequence. Slot in the ribs (4 ribs at each side, total 8 ribs), carefully at both left and right. Then, press the panel forward till it closes tight. Refer to ③



⚠ CAUTION

- Don't touch the metal parts of the indoor unit. It may cause an injury.
- When removing or attaching the front panel, support the panel securely with hand to prevent it from falling.
- For cleaning, do not use hot water above 104°F (40°C), benzine, gasoline, thinner, nor other volatile oils, polishing compound, scrubbing brushes, nor other hand stuff.
- After cleaning, make sure that the front panel is securely fixed.

When The Unit Is Not To Be Used For An Extended Long Period Of Time

<p>Operate the unit for 2 hours with the following setting.</p> <p>Operating mode : cool Temperature : 30°C/86°F</p>		<p>Remove the power plug. If you are using an independent electric circuit for your unit, cut off the circuit. Remove the batteries in the remote control.</p>	
--	---	--	---

TROUBLESHOOTING

For any enquiries on spare part, please contact your authorized dealer. When any malfunction of the air conditioner unit is noted, immediately switch off the power supply to the unit. Check the following fault conditions and causes for some simple troubleshooting tips.

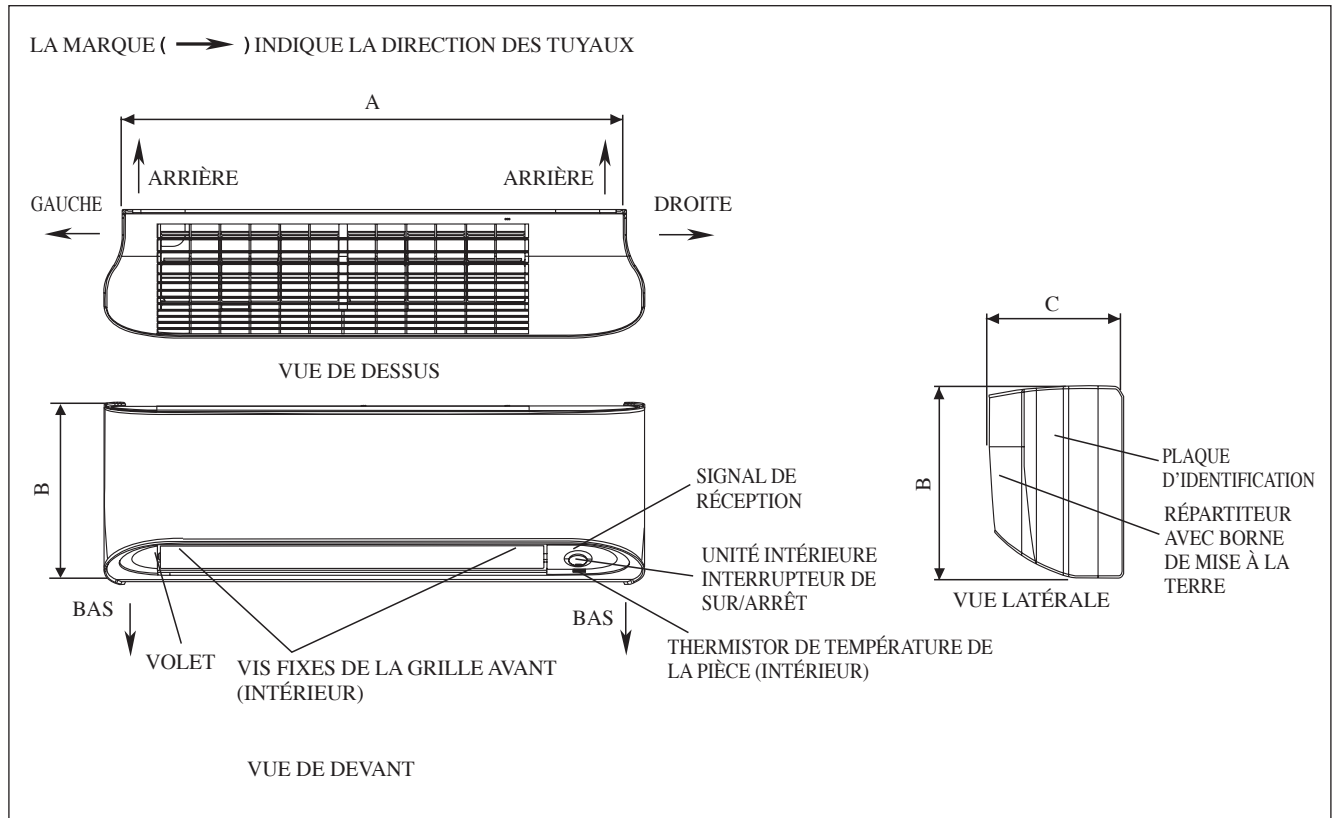
Fault	Causes / Action
1. The compressor does not operate 3 minutes after the air conditioner unit is started.	– Protection against frequent starting. Wait for 3 to 4 minutes for the compressor to start operating.
2. The air conditioner unit does not operate.	– Power failure, or the fuse needs to be replaced. – The power plug is disconnected. – It is possible that your delay timer has been set incorrectly. – If the fault persist after all these verifications, please contact the air conditioner unit installer.
3. The air flow is too low.	– The air filter is dirty. – The doors or windows are open. – The air suction and discharge are clogged. – The regulated temperature is not high enough.
4. Discharge air flow has bad odour.	– Odours may be caused by cigarettes, smoke particles, perfume etc. which might have adhered onto the coil.
5. Condensation on the front air grille of the indoor unit.	– This is caused by air humidity after an extended long period of operation. – The set temperature is too low, increase the temperature setting and operate the unit at high fan speed.
6. Water flowing out from the air conditioner unit.	– Switch off unit and call dealer.

If the fault persists, please call your local dealer / serviceman.

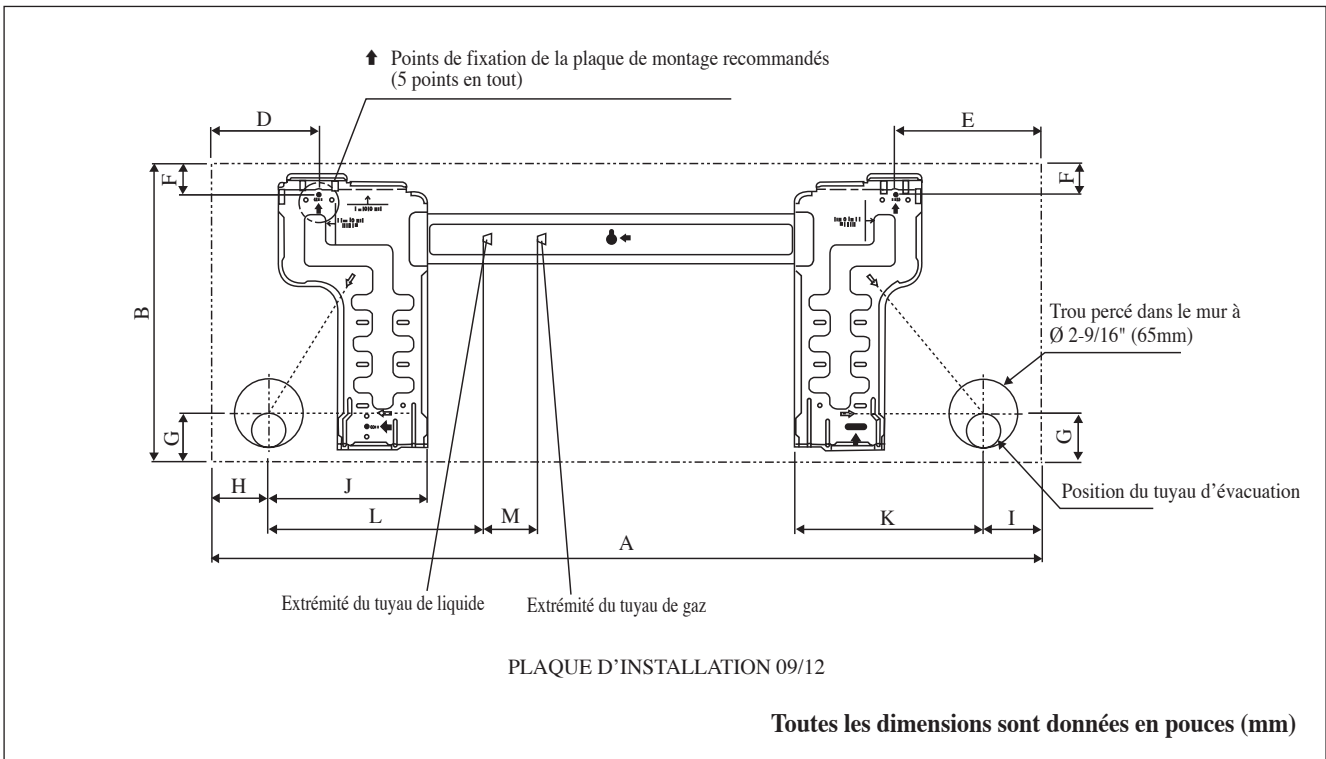
MEMO

CONTOUR ET DIMENSIONS

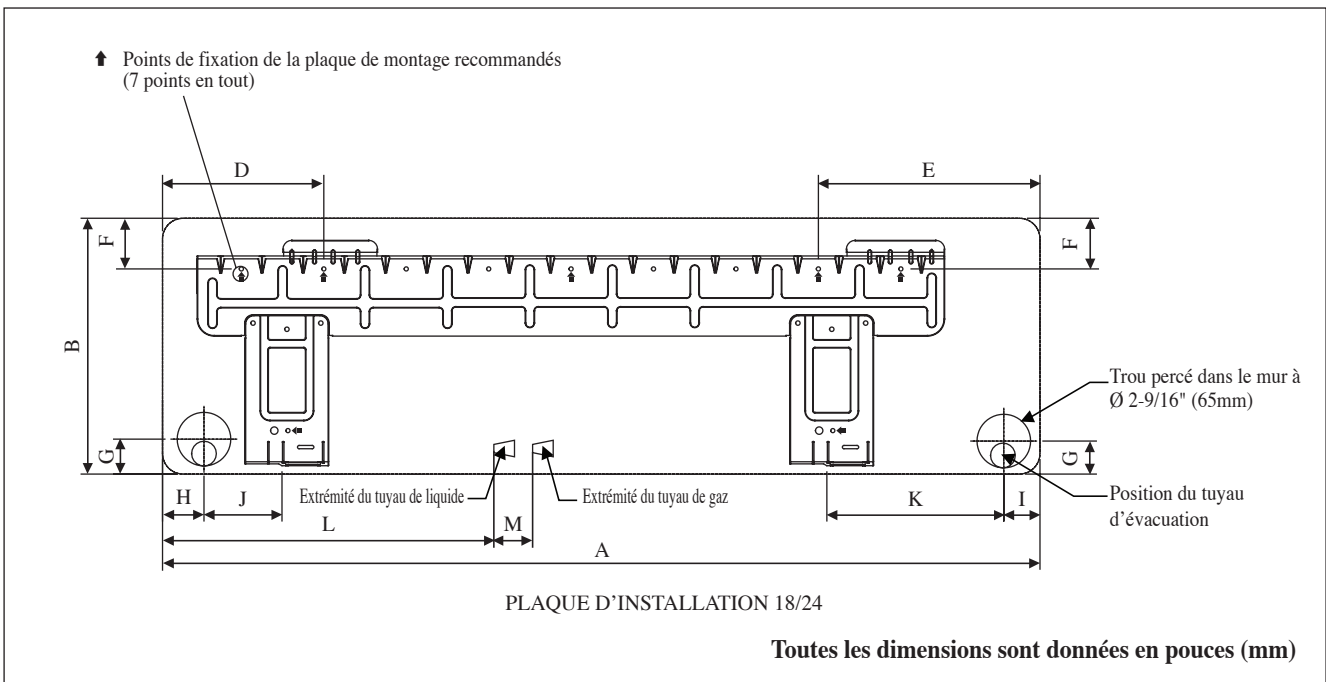
Unité Intérieure [FTXB/FTKB]



Unité Intérieure [FTXB/FTKB]

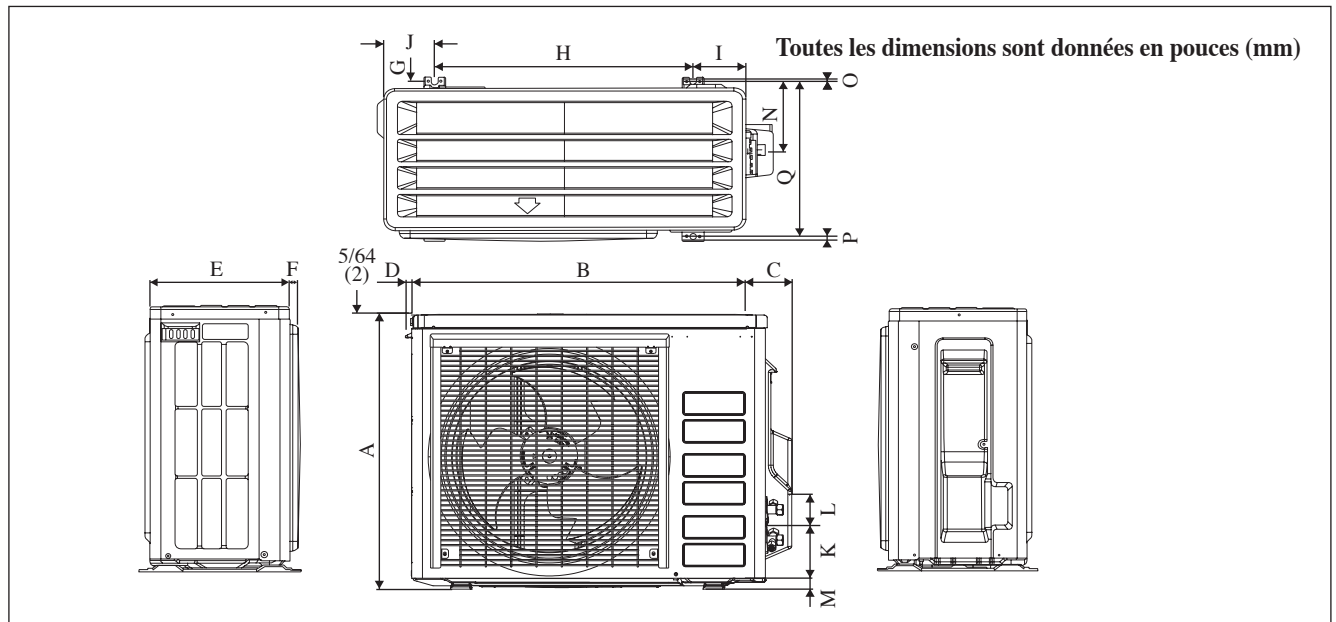


Dimension / Modèle	A	B	C	D	E	F	G	H	I	J	K	L	M
09/12	35-1/16 (890)	11-11/16 (297)	8-1/4 (210)	4-1/16 (104)	5-9/16 (141)	1-3/16 (30)	1-13/16 (46)	2-3/16 (55)	2-3/16 (56)	6 (153)	7-1/8 (181)	8-1/8 (207)	2-1/16 (52)

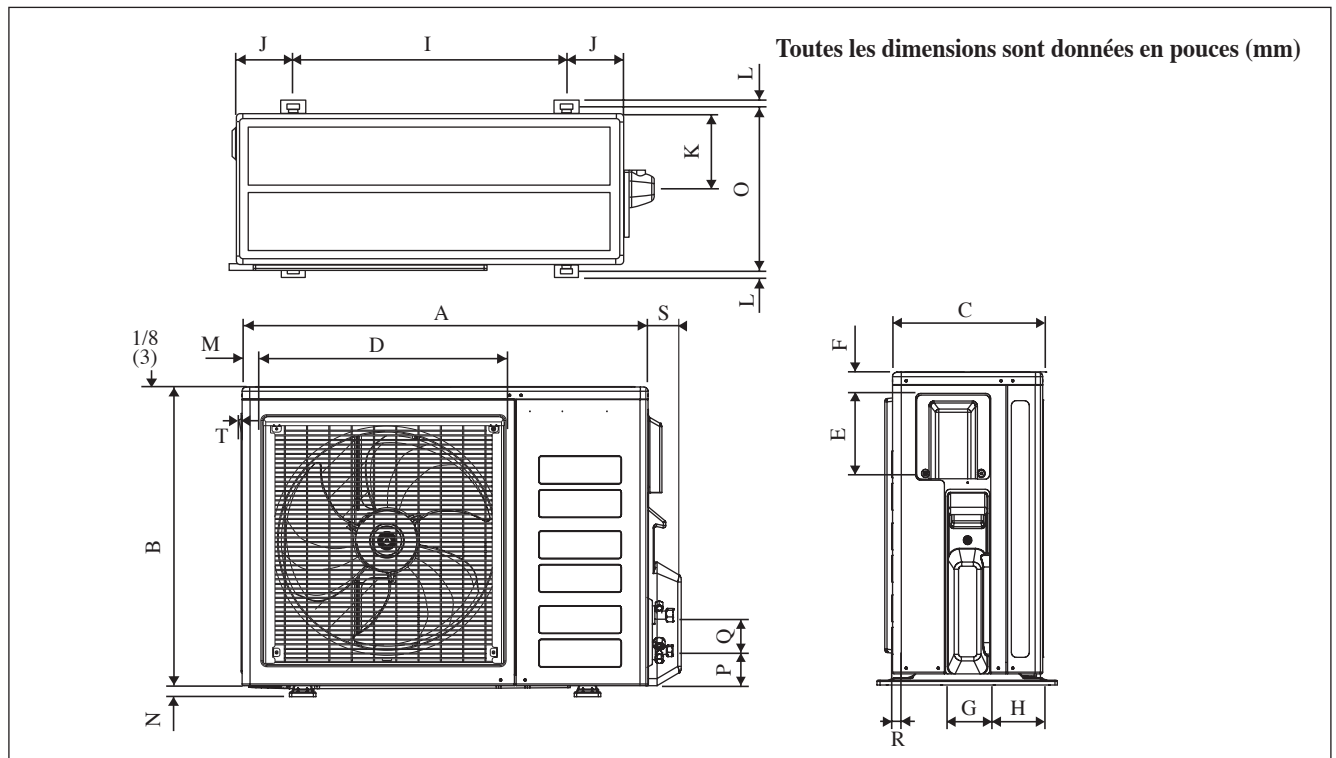


Dimension / Modèle	A	B	C	D	E	F	G	H	I	J	K	L	M
18/24	46-1/8 (1172)	12-5/8 (320)	9-1/2 (242)	7-1/2 (190)	6-13/16 (173)	2-3/8 (61)	1-9/16 (40)	1-3/4 (45)	1-7/8 (48)	3-9/16 (91)	8-5/8 (219)	22-13/16 (580)	1-3/4 (45)

Unité Extérieure [RXB/RKB]



Dimension / Modèle	A	B	C	D	E	F	G	H	I	J	K	L	M	N	O	P	Q
09/12	21-5/8 (550)	25-15/16 (658)	2 (51)	7/16 (11)	10-3/4 (273)	5/8 (16)	9/16 (14)	18-1/2 (470)	3-3/4 (96)	3-11/16 (93)	3-11/16 (94)	2-3/8 (60)	9/16 (14)	5-1/4 (133)	5/16 (8)	3/8 (10)	11-3/4 (299)



Dimension / Modèle	A	B	C	D	E	F	G	H	I	J	K	L	M	N	O
18	33-11/16 (855)	24-3/4 (628)	12-15/16 (328)	20-1/2 (520)	7-1/16 (179)	1-13/16 (46)	4 (101)	4-7/16 (113)	23-3/4 (603)	4-15/16 (126)	6-7/16 (164)	9/16 (15)	1-5/16 (34)	15/16 (23)	14-1/4 (362)
24	33-11/16 (855)	28-3/4 (730)	12-15/16 (328)	20-1/2 (520)	7-1/16 (179)	1-13/16 (46)	4 (101)	4-7/16 (113)	23-3/4 (603)	4-15/16 (126)	6-7/16 (164)	9/16 (15)	1-5/16 (34)	15/16 (23)	14-1/4 (362)

Dimension / Modèle	P	Q	R	S	T
18	2-7/8 (73)	2-15/16 (75)	5/16 (8)	2-5/8 (67)	1/4 (7)
24	2-7/8 (73)	2-15/16 (75)	5/16 (8)	2-5/8 (67)	1/4 (7)

MANUEL D'INSTALLATION

Ce manuel fournit les procédures d'installation pour assurer le bon fonctionnement et la sécurité de cet appareil.

Des ajustements peuvent être nécessaires pour suivre les réglementations locales.

Avant d'installer et de faire fonctionner le climatiseur, lisez attentivement ce manuel et conservez-le.

Cet appareil est destiné à être utilisé par des utilisateurs experts ou formés dans les magasins, dans l'industrie légère ou dans les fermes, ou pour un usage commercial par des personnes non spécialisées.

Cet appareil n'est pas destiné à être utilisé par des personnes, y compris les enfants, souffrant de capacités physiques, sensorielles ou mentales réduites, ou accusant un manque d'expérience et de connaissances, sauf si elles sont supervisées ou ont reçu des instructions concernant l'emploi de cet appareil d'une personne responsable de leur sécurité.

Les enfants doivent être supervisés pour s'assurer qu'ils ne jouent pas avec l'appareil.

PRÉCAUTIONS DE SÉCURITÉ

⚠ ATTENTION

- Seul du personnel qualifié peut procéder à l'installation de l'appareil. L'installation doit être faite conformément à ce manuel d'installation. Une installation incorrecte pourrait conduire à une fuite d'eau, une décharge électrique ou un incendie.
- Si l'unité est installée dans une petite pièce, prendre les mesures nécessaires pour que la concentration de réfrigérant ne dépasse pas les limites de sécurité admissibles. Des fuites de réfrigérant excessives, en cas d'accident dans un local clos, peuvent conduire à un manque d'oxygène.
- Utiliser uniquement les accessoires et pièces spécifiés pour l'installation. Ne pas utiliser les pièces spécifiées pourrait conduire à une fuite d'eau, une décharge électrique, un incendie ou la chute de l'unité.
- Installer le climatiseur ou la pompe à chaleur sur un support suffisamment résistant pour supporter le poids de l'unité. Un support insuffisamment résistant pourrait conduire à une chute de l'unité et à des blessures.
- Tenir compte des vents forts, typhons ou tremblement de terre lors de l'installation. Une installation incorrecte pourrait conduire à une chute de l'unité et à des accidents.
- S'assurer qu'un circuit d'alimentation électrique distinct est fourni pour cette unité et que tous les travaux électriques sont effectués par du personnel qualifié en accord avec les réglementations locales et nationales en vigueur. Une capacité d'alimentation électrique insuffisante ou une construction électrique incorrecte pourrait conduire à une décharge électrique ou un incendie.
- S'assurer que tous les raccordements sont sécurisés, que les fils spécifiés sont utilisés et qu'aucune force externe n'est exercée sur les connexions aux bornes ou sur les fils. Des connexions ou une installation incorrecte pourraient conduire à un incendie.
- Pendant le câblage, positionner les fils de façon à ce que le couvercle du boîtier de câblage électrique puisse être solidement fixé. Un positionnement incorrect du couvercle du boîtier de câblage électrique pourrait conduire à une décharge électrique, un incendie ou une surchauffe des bornes.
- Avant de toucher les parties électriques, éteindre l'unité.
- Il est recommandé d'installer un disjoncteur de fuites à la terre s'il n'est pas déjà disponible. Cela permet d'éviter une décharge électrique ou un incendie.
- Fixer solidement le couvercle du bornier de l'unité extérieure (panneau). Si le couvercle/panneau du bornier n'est pas installé correctement, de la poussière ou de l'eau pourrait pénétrer dans l'unité extérieure et conduire à un incendie ou une décharge électrique.
- Lors de l'installation ou du démantèlement du système, le circuit de réfrigérant doit rester exempt de substances autres que le réfrigérant spécifié (R410A) telles que de l'air. Toute présence d'air ou autre substance étrangère dans le circuit de réfrigérant peut provoquer une montée en pression anormale ou une rupture et conduire à des blessures.
- Ne pas modifier le réglage des dispositifs de protection. Si le commutateur de pression, le commutateur thermique ou autre dispositif de protection est court-circuité et utilisé en marche forcée, ou si des pièces autres que celles spécifiées par Daikin sont utilisées, un incendie ou une explosion pourrait se produire.

⚠ AVERTISSEMENT

- Ne pas toucher le commutateur avec les doigts mouillés. Toucher un commutateur avec les doigts mouillés pourrait conduire à une décharge électrique.
- Ne pas laisser les enfants jouer sur ou autour de l'unité afin d'éviter les blessures.
- Les ailettes de l'échangeur de chaleur sont assez tranchantes pour couper. Pour éviter toute blessure, porter des gants ou couvrir les ailettes en cas d'intervention autour de celles-ci.
- Ne pas toucher les tuyaux de réfrigérant pendant et immédiatement après le fonctionnement, car ceux-ci peuvent être chauds ou froids selon l'état du réfrigérant circulant dans la tuyauterie de réfrigérant, le compresseur et les autres pièces du cycle de réfrigération. Toucher les tuyaux de réfrigérant pourrait conduire à des brûlures ou des gelures des mains. Pour éviter toute blessure, laisser les tuyaux revenir à leur température normale ou, s'il est indispensable de les toucher, s'assurer de porter des gants adaptés.
- Installer la tuyauterie d'évacuation en vue d'une bonne évacuation. Une tuyauterie d'évacuation incorrecte pourrait conduire à une fuite d'eau et à des dégâts matériels.
- Isoler la tuyauterie afin d'empêcher la condensation.
- Faire attention lors du transport du produit.
- Ne pas couper l'alimentation électrique immédiatement après l'arrêt du fonctionnement. Toujours attendre au moins 5 minutes avant de couper l'alimentation électrique. Sinon, une fuite d'eau pourrait se produire.
- Ne pas utiliser de cylindre de charge. L'utilisation d'un cylindre de charge pourrait conduire à une détérioration du réfrigérant.
- Le circuit de réfrigérant R410A doit rester propre, sec et étanche.
 - (a) Propre et sec -- Aucune matière étrangère (dont huiles minérales telles qu'huile SUNISO ou humidité) ne doit pénétrer dans le système.
 - (b) Hermétique -- Le R410A ne contient pas de chlorure, ne détruit pas la couche d'ozone et ne réduit pas la protection terrestre contre les rayons ultraviolets nocifs. Le R410A peut contribuer à l'effet de serre s'il est libéré. Par conséquent, il convient de prendre les mesures nécessaires pour contrôler l'étanchéité de l'installation de tuyauterie de réfrigérant. Lire le chapitre Tuyauterie de réfrigérant et respecter les procédures.
- Puisque le R410A est un réfrigérant un mélange, le complément de réfrigérant requis doit être chargé à l'état liquide. Si le réfrigérant est chargé à l'état gazeux, sa composition peut changer et le système ne fonctionnera pas correctement.
- L'unité intérieure est adaptée au R410A. Voir le catalogue des modèles intérieurs qu'il est possible de raccorder. Un fonctionnement normal est impossible si d'autres unités sont raccordées.

- La distance de transmission de la télécommande (kit sans fil) peut être plus courte que prévue dans les pièces équipées de lampes fluorescentes électroniques (types onduleur ou démarrage rapide). Installer l'unité intérieure le plus loin possible des lampes fluorescentes.
- Les unités intérieures sont prévues pour une installation à l'intérieur uniquement. Les unités extérieures peuvent être installées à l'extérieur et à l'intérieur. Cette unité est prévue pour un usage intérieur.
- Ne pas installer le climatiseur ou la pompe à chaleur dans les emplacements suivants :
 - (a) Où une brume d'huile minérale, une vaporisation d'huile ou de la vapeur est produite, par exemple dans une cuisine. Les pièces en plastique pourraient se détériorer et chuter ou conduire à une fuite d'eau.
 - (b) Où un gaz corrosif, tel que du gaz d'acide sulfurique, est produit. Une corrosion des tuyaux de cuivre ou des pièces soudées pourraient conduire à une fuite de réfrigérant.
 - (c) À proximité de machines émettant des ondes électromagnétiques. Les ondes électromagnétiques pourraient perturber le fonctionnement du système de contrôle et conduire à un dysfonctionnement de l'unité.
 - (d) Où peuvent se produire des fuites de gaz inflammable, où des fibres de carbone ou des poussières inflammables sont en suspension dans l'air, où l'on manipule des substances inflammables volatiles telles que du solvant ou de l'essence. Faire fonctionner l'unité dans de telles conditions peut conduire à un incendie.
- Prendre les mesures adéquates pour empêcher que l'unité extérieure ne serve d'abri aux petits animaux. Tout contact entre de petits animaux et les parties électriques pourrait conduire à des dysfonctionnements, une production de fumée ou un incendie. Indiquer à l'utilisateur de faire en sorte que la zone environnant l'unité reste propre.

REMARQUE

- Installer l'alimentation électrique et les fils reliant les unités intérieures et extérieures à au moins 1m. (3,5ft) des téléviseurs ou radios afin d'éviter le parasitage des images ou des sons. Selon les ondes radio, une distance d'1 m. (3,5ft) peut ne pas être suffisante pour éliminer le bruit.
- Le démontage de l'appareil et le traitement du réfrigérant, de l'huile et de pièces supplémentaires doivent être effectués en accord avec les réglementations locales et nationales en vigueur.
- Ne pas utiliser les outils suivants, qui sont utilisés avec les réfrigérants conventionnels : Manomètre de pression, flexible de charge, détecteur de fuite de gaz, clapet de non-retour de circulation inverse, base de charge de réfrigérant, vacuomètre ou matériel de récupération du réfrigérant.
- Si le réfrigérant conventionnel et l'huile de réfrigération sont mélangées dans du R410A, le réfrigérant pourrait se détériorer.
- Le grand public ne doit pas pouvoir accéder à ce climatiseur ou à cette pompe à chaleur.
- La pression de conception étant de 536 psi, l'épaisseur des tuyaux muraux installés sur site doit être sélectionnée en accord avec les réglementations locales et nationales en vigueur.

DANGER

- Le gaz réfrigérant est plus lourd que l'air et remplace l'oxygène. Une fuite massive peut conduire à un appauvrissement en oxygène, en particulier dans les sous-sols, et un risque d'asphyxie pourrait exister et entraîner des blessures, voire la mort.
- Ne pas mettre les unités à la terre par le biais des tuyaux, tuyaux de gaz, fils téléphoniques ou parafoudres, une mise à la terre incomplète pouvant conduire à un risque grave de décharge électrique et entraîner des blessures, voire la mort. En outre, une mise à la terre par le biais des tuyaux de gaz pourrait entraîner une fuite de gaz et une potentielle explosion et entraîner des blessures graves, voire la mort.
- Si du gaz de réfrigérant fuit pendant l'installation, aérer immédiatement la zone. Le gaz réfrigérant peut produire du gaz toxique s'il entre en contact avec le feu. Une exposition à ce gaz pourrait entraîner des blessures, voire la mort.
- Après avoir terminé l'installation, vérifier l'absence de fuite de réfrigérant sur l'ensemble du système.
- Ne pas installer l'unité dans une zone abritant des matières inflammables à cause du risque d'explosion susceptible d'entraîner des blessures, voire la mort.
- Éliminer tous matériaux d'emballage et de transport de façon sécurisée, en accord avec les lois et décrets nationaux/locaux. Les matériaux d'emballage tels que les clous ou autres pièces en métal ou en bois, y compris les matériaux d'emballage en plastique utilisés pour le transport, pourraient entraîner des blessures ou la mort par étouffement.

AVIS

Instructions d'élimination

Cet appareil de conditionnement d'air porte le symbole ci-joint. Ce symbole signifie que les appareils électriques et électroniques doivent être éliminés séparément des ordures ménagères non triées.

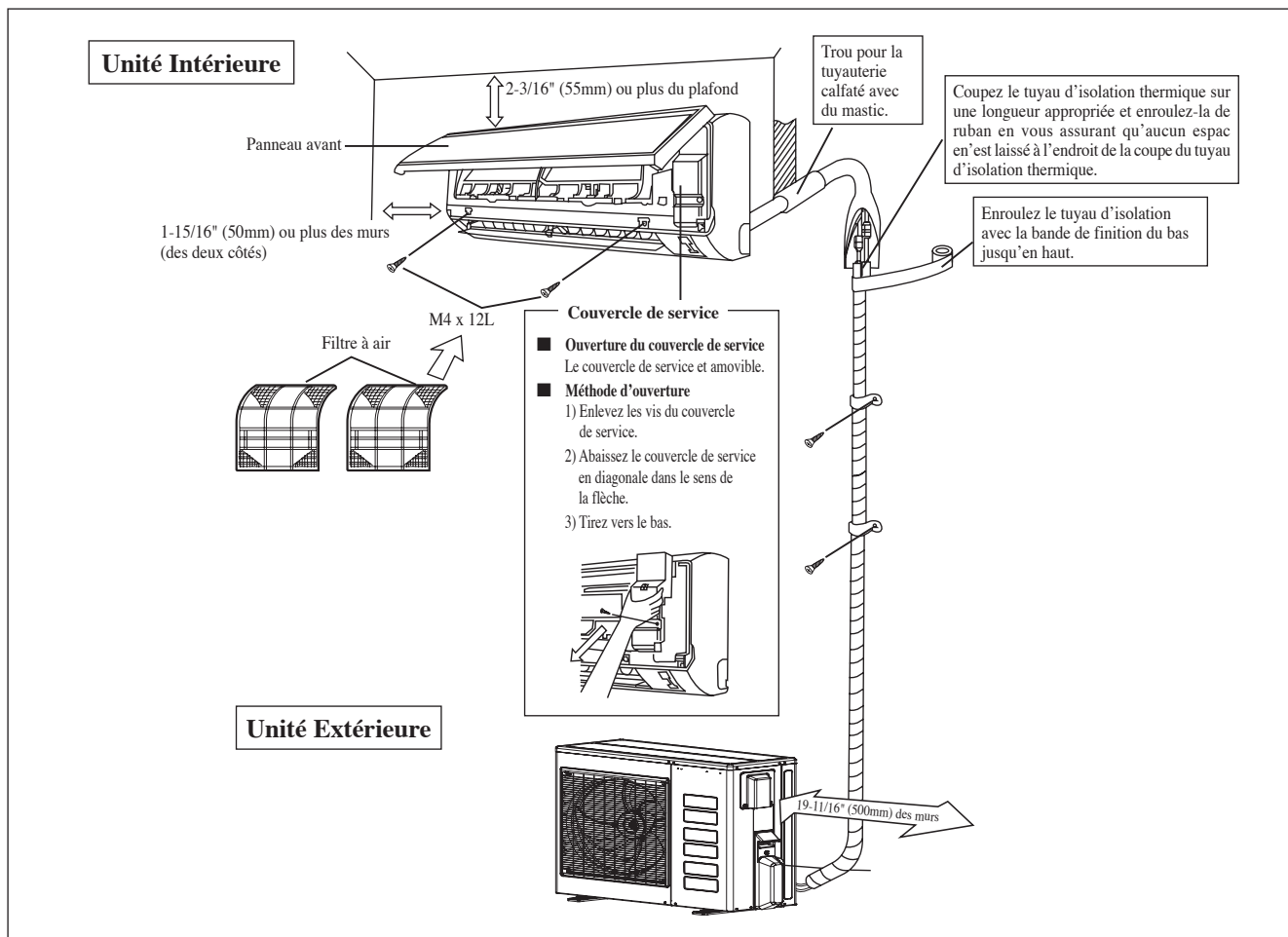
N'essayez pas de démonter vous-même l'appareil : le démontage de l'appareil de conditionnement d'air ainsi que le traitement du réfrigérant, de l'huile et d'autres composants doivent être effectués par un installateur qualifié, en accord avec les réglementations locales et nationales en vigueur.

Les appareils de conditionnement d'air doivent être traités dans des installations spécialisées de dépannage, réutilisation ou recyclage. En vous assurant que cet appareil est éliminé correctement, vous contribuez à éviter les conséquences potentiellement néfastes sur l'environnement et la santé. Veuillez contacter votre installateur ou les autorités locales pour plus d'information.

Les piles de la télécommande doivent être enlevées et éliminées séparément, conformément aux réglementations locales et nationales en vigueur.



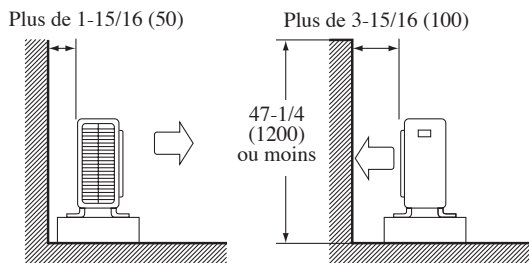
DIAGRAMME D'INSTALLATION



INSTALLATION DE L'UNITÉ EXTÉRIÈRE (09/12)

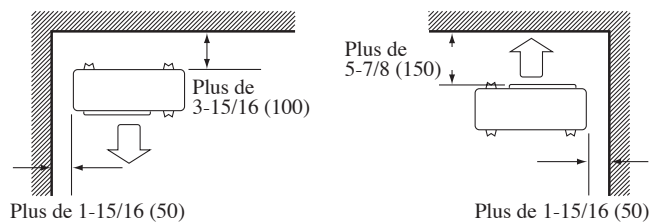
- Si un mur ou tout autre obstacle se trouve sur le chemin du jet d'air d'admission ou de rejet de l'unité extérieure, suivre les directives d'installation ci-dessous.
- Pour l'un des modèles ci-dessous d'installation, la hauteur du mur sur le côté échappement doit être d'au moins 47-1/4" (1200mm)

Mur face à un côté



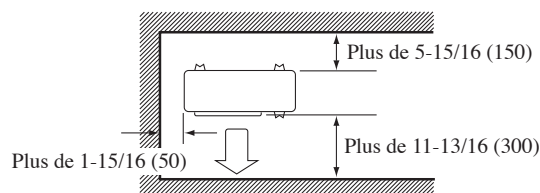
Vue latérale

Mur face à deux côtés



Vue de dessus

Mur face à trois côtés

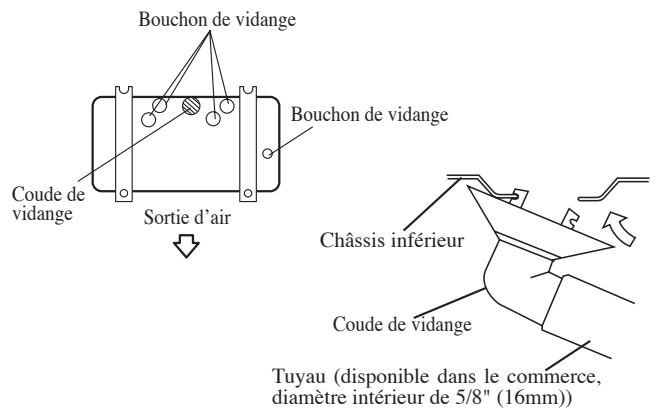


Vue de dessus

Unité : pouces (mm)

Travaux de vidange. (Unité De Pompe À Chaleur Seulement)

- 1) Utiliser le coude de vidange pour la vidange.
- 2) Si l'orifice de vidange est couvert par une base de montage ou une surface au sol, placer des cales de pieds supplémentaires d'au moins 1-3/16" (30mm) de hauteur sous les pieds de l'unité extérieure.
- 3) Dans les régions froides, ne pas utiliser de coude de vidange, de bouchon de vidange et de tuyau de vidange avec l'unité extérieure. (Sinon, l'eau de vidange peut se figer, altérant les performances du chauffage.)



INSTALLATION DE L'UNITÉ EXTÉRIEURE (18/24)

L'unité extérieure doit être installée de manière à ce qu'il n'y ait pas de reprise d'air chaud ou d'obstruction au débit régulier d'air. Veuillez respecter l'écartement d'installation illustré sur le diagramme. Choisir l'emplacement le plus frais possible, où l'admission d'air ne soit pas plus élevée que la température de l'air extérieure (se reporter à la plage de fonctionnement).

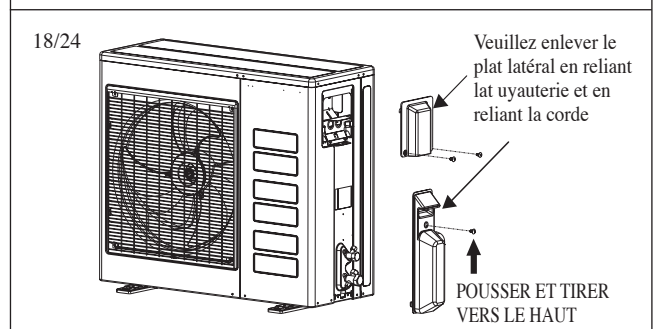
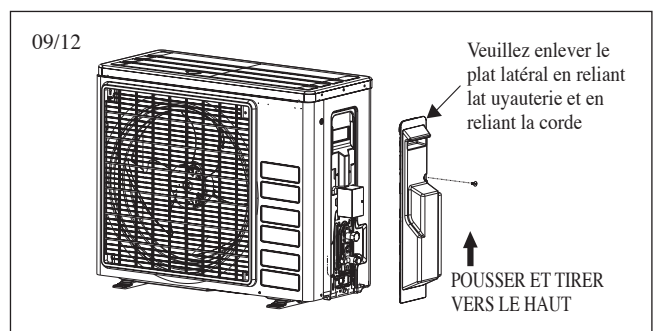
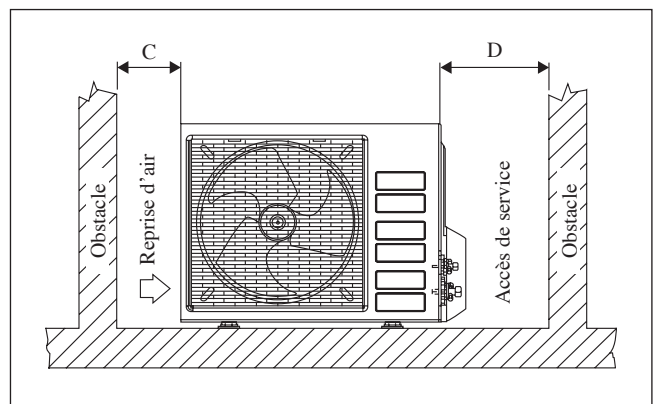
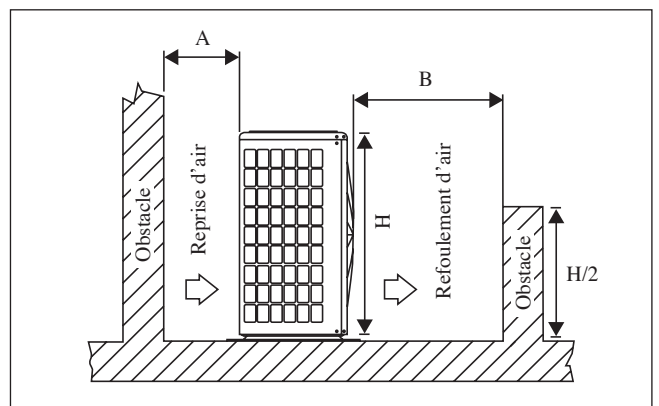
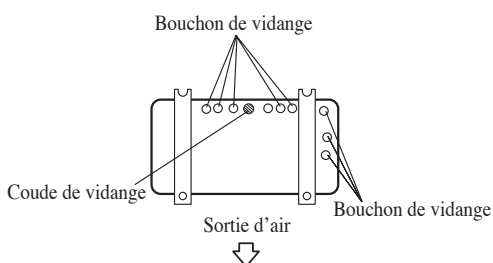
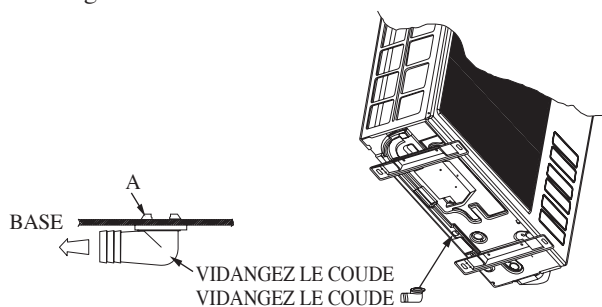
Dégagements minimum

Dimension	A	B	C	D
Distance minimum, mm (pouces)	11-13/16 (300)	39-3/8 (1000)	11-13/16 (300)	19-11/16 (500)

Remarque : S'il ya un obstacle plus de la moitié, de la hauteur de l'appareil (H), s'il vous plaît laisser plus d'espace que le montant indiqué dans le tableau ci-dessus.

Disposition Condensée De L'eau D'unité Extérieure (Unité De Pompe À Chaleur Seulement)

- Il y a 10 trous sur la base de l'unité extérieure pour que l'eau condensée sorte. Insérez le coude de drain à un des trous.
- Pour installer le coude de drain, première insertion une partie du crochet sur la base (partie A), tirer alors le coude de drain dans la direction montrée par la flèche tout en insérant l'autre partie à la base. Après installation, contrôle pour s'assurer que le coude de drain s'accrochent à la base fermement.
- Si l'unité est installée dans un neigeux et chily un secteur, l'eau condensée peut geler dans la base. Dans un tel cas, enlevez svp la prise au fond de l'unité pour lisser le drainage.



INSTALLATION DE L'UNITÉ INTÉRIEURE

1. Précautions pour le choix d'un emplacement.

- 1) Choisissez un endroit suffisamment solide pour supporter le poids et les vibrations de l'unité et où le bruit de fonctionnement ne sera pas amplifié.
- 2) Choisir un emplacement où l'air chaud déchargé par l'unité ou le bruit de fonctionnement n'occasionne pas de nuisance pour les voisins de l'utilisateur.
- 3) Éviter les emplacements tels que la proximité des chambres à coucher, où le bruit pourrait occasionner un dérangement.
- 4) L'espace doit être suffisant pour transporter l'unité dans et hors du site.
- 5) L'espace doit être suffisant pour permettre le passage de l'air et l'absence d'obstructions autour de l'entrée d'air et de la sortie d'air.
- 6) Le site ne doit pas être exposé à un risque de fuites de gaz inflammable dans les zones environnantes.
- 7) Installer les unités, les cordons d'alimentation et les fils reliant les unités à au moins 3m (10ft) des appareils de télévision et de radio. (Cela permettra d'éviter le parasitage des images et des sons. Du bruit peut être produit même avec une distance de plus de 3m (10ft), selon les conditions des ondes radio.)
- 8) Dans les régions côtières ou autre lieux à l'atmosphère saline ou contenant du gaz sulfaté, la corrosion pourrait écourter la durée de vie du climatiseur.
- 9) Puisque de l'eau doit s'écouler par l'évacuation de l'unité extérieure, ne placez sous l'unité aucun objet devant être tenu à l'écart de l'humidité.

REMARQUE

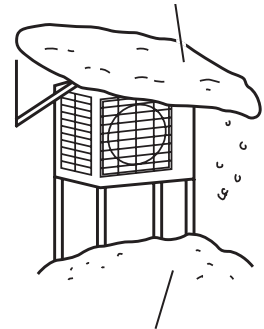
Ne peut pas être installé suspendu au plafond ni empilé.

⚠ AVERTISSEMENT

Lorsque vous utilisez le climatiseur par une température ambiante extérieure faible, assurez-vous de suivre les instructions décrites ci-dessous.

- Pour éviter l'exposition au vent, installez l'unité extérieure avec son côté aspiration face au mur.
- N'installez jamais l'unité extérieure dans un endroit où le côté aspiration peut être exposé directement au vent.
- Pour éviter l'exposition au vent, il est recommandé d'installer un déflecteur sur le côté d'évacuation d'air de l'unité extérieure.
- Dans les régions très enneigées, sélectionner un site d'installation où la neige ne gênera pas l'unité.
- En cas de risque d'accumulation de neige sur l'unité extérieure, installer un capot de protection contre la neige.
- Dans les zones très humides ou très enneigées, il est conseillé d'installer un chauffage avec bac de dégivrage afin d'éviter la formation de glace depuis le châssis inférieur.

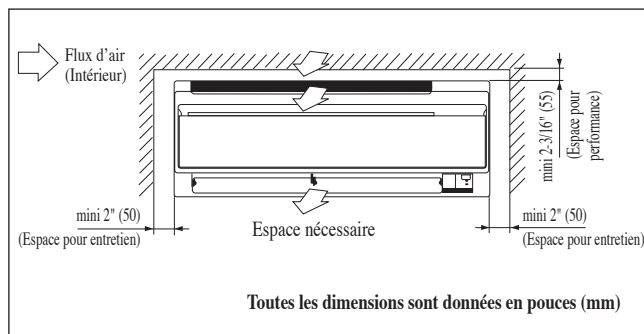
- Construisez un grand auvent.
- Construisez un socle.



Installez l'unité assez haut au-dessus du sol pour éviter l'enfouissement dans la neige.

INSTALLATION DE L'UNITÉ INTÉRIURE

Installer l'unité intérieure de traitement d'air de façon à ce qu'il n'y ait aucun obstacle sur la circulation de l'air (risque de recyclage de l'air refroidi au refoulement de l'unité et l'air à l'entrée). Veuillez respecter l'écartement d'installation illustré sur le diagramme. Ne pas exposer l'unité intérieure à l'influence directe de l'éclairage. L'emplacement de l'unité, doit permettre une évacuation aisée des condensats, et permettre une évacuation aisée des condensats, et doit être suffisamment loin des portes.

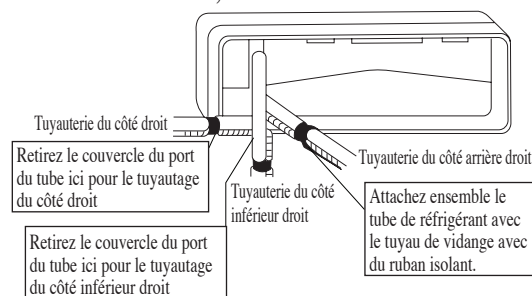


⚠ AVERTISSEMENT

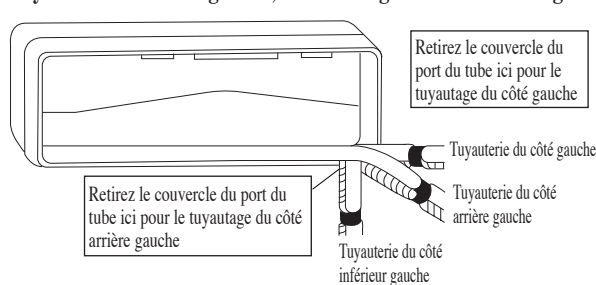
- Lors du montage, les pièces mobiles les plus basses doivent se trouver à au moins 8ft (2,4m) au-dessus du niveau du sol.

La tuyauterie de réfrigérant peut être dirigée vers l'appareil de plusieurs façons (sur la gauche ou la droite, depuis l'arrière de l'appareil), par le biais des orifices défonçables situés sur l'enveloppe de l'appareil. Cintrer les tuyaux avec précaution afin de les aligner avec les orifices. Pour les sorties latérale et inférieure, maintenir le bas de la tuyauterie et la positionner dans la bonne direction. Le flexible d'évacuation des condensats peut être fixé aux tuyaux.

Tuyauterie sur le côté droit, à l'arrière droite ou en bas à droite



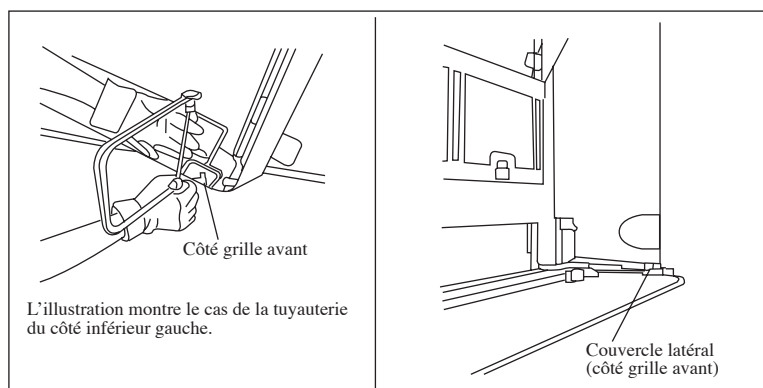
Tuyauterie sur le côté gauche, à l'arrière gauche ou en bas à gauche



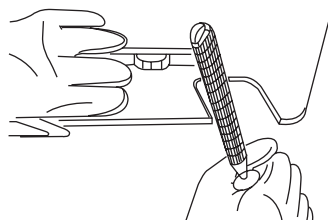
Tuyauterie du côté inférieur ou latérale

- 1) Coupez le couvercle d'orifice du tuyau à l'aide d'une scie à chantourner.
 - Concernant la tuyauterie côté inférieur: Sur la partie inférieure de la grille avant.
 - Concernant la tuyauterie latérale: Sur le couvercle latéral (coté grille avant et coté unité)

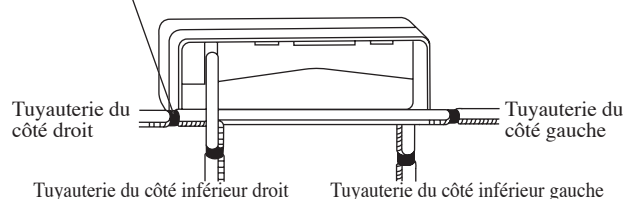
Appliquez la lame de la scie à chantourner sur l'encoche, puis coupez le couvercle d'orifice du tuyau le long de la surface intérieure inégale.



- 2) Après avoir coupé le couvercle d'orifice du tuyau, effectuez le limage. Éliminez les bavures le long la partie découpée à l'aide d'une lime aiguille demi-ronde.
- 3) Enrobez les câble connectant les unités, les tuyaux de réfrigérant et le tube d'évacuation ensemble avec du ruban isolant. Puis, insérez le tube d'évacuation et les tuyaux de réfrigérant dans le trou mural après les avoir insérés dans le trou de tuyauterie coupé ouvert.



Enrobez le tuyau de réfrigérant et le tube d'évacuation ensemble avec du ruban adhésif vinyle.



REMARQUE

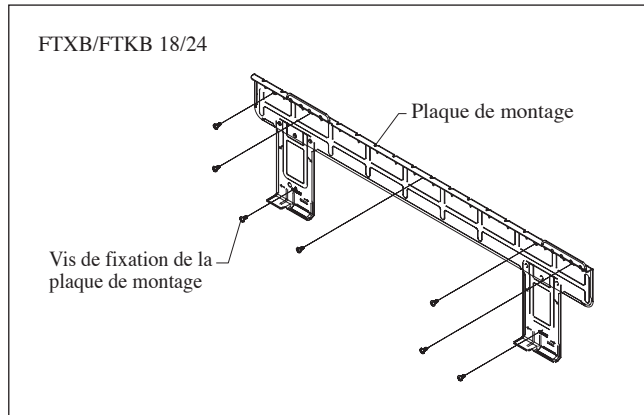
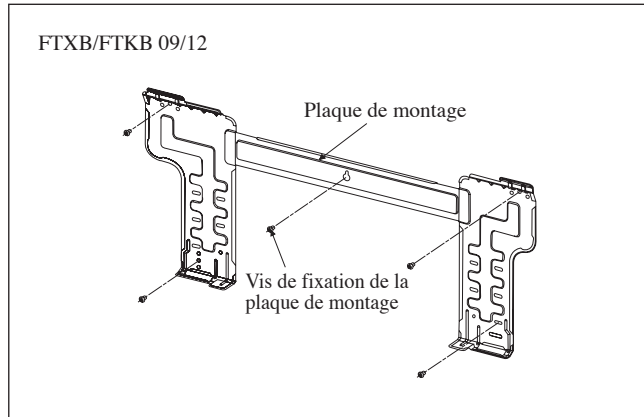
- Faites attention de ne pas laisser entrer d'éclats dans la partie d'entérinement du bras.
- Faites attention de ne pas exercer de pression sur le panneau avant inférieur.

Montage De La Platine Support

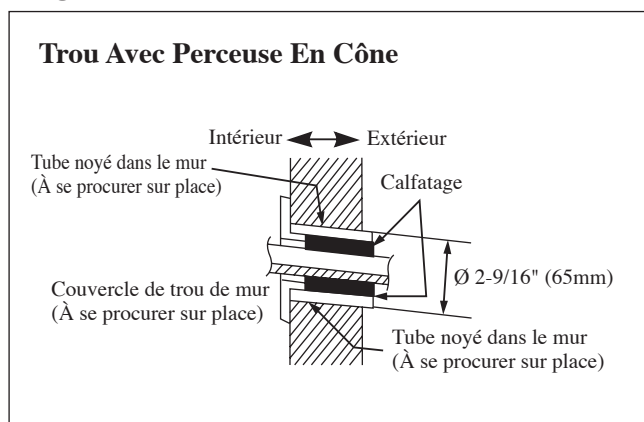
S'assurer que le mur de support soit suffisamment résistant, pour supporter le poids de l'unité et éviter toutes vibrations. Selon la composition du mur, utiliser des vis chevilles appropriées pour la fixation de la platine support.

Utilisez l'indicateur de niveau pour le montage horizontal, et fixez-le avec 5 vis adaptées pour FTXB/FTKB 09/12 et 7 vis adaptées pour FTXB/FTKB 18/24.

Dans le cas de sortie arrière des tuyauteries, percer le trou 2-9/16" (65mm) pour les canalisations à l'aide d'une scie cloche, le trou aura une légère pente vers l'unité extérieure (voir figure).



Perçage d'un trou mural et installation du tuyau intégré au mur



Mise En Place De L'unité De La Platine Support

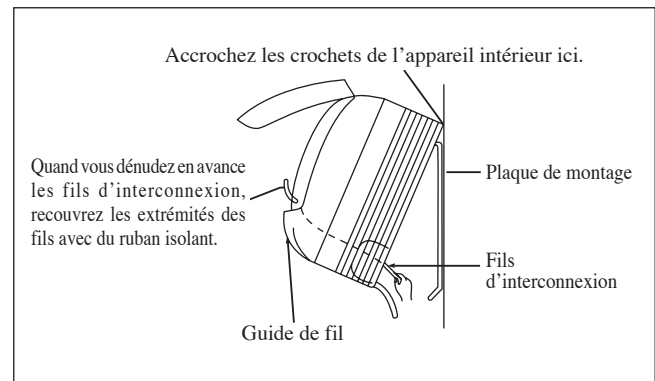
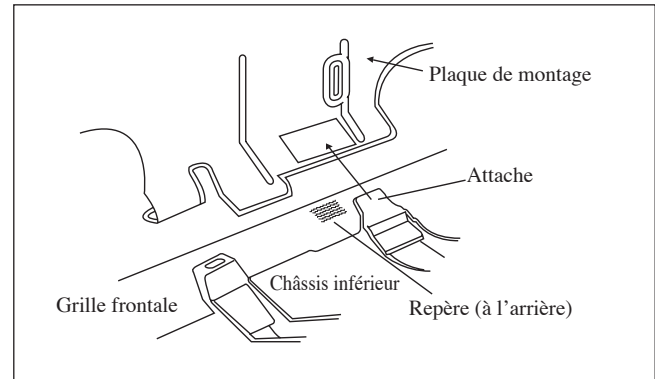
Positionner dans un premier temps l'unité intérieure sur la languette d'accrochage supérieure de support. Pour vous assurer que les crochets sont correctement installés sur la plaque d'installation, essayez de les faire légèrement bouger de gauche à droite.

Comment Fixer L'unité Interne

Accrochez les griffes de la structure inférieure à la plaque de montage.

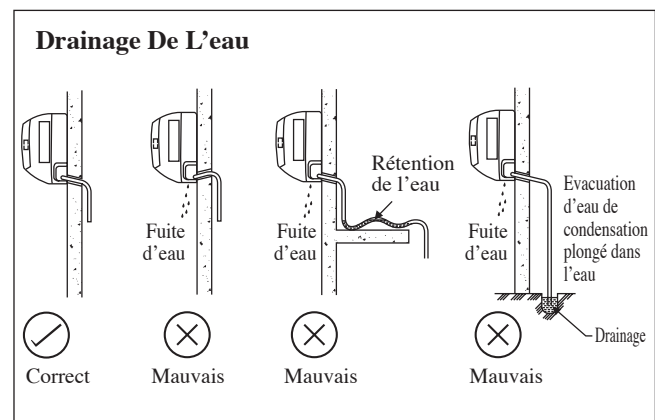
Comment Démonter L'unité Interne

Soulevez la zone marquée d'un repère (au bas de la grille avant) pour libérer les griffes.



Évacuation Des Condensats

Le tube d'évacuation des condensats de l'unité devra être, dans la mesure du possible, dirigé vers la sortie arrière des tuyauteries à travers le mur de support. Évitez les situations susceptibles de causer une fuite d'eau.



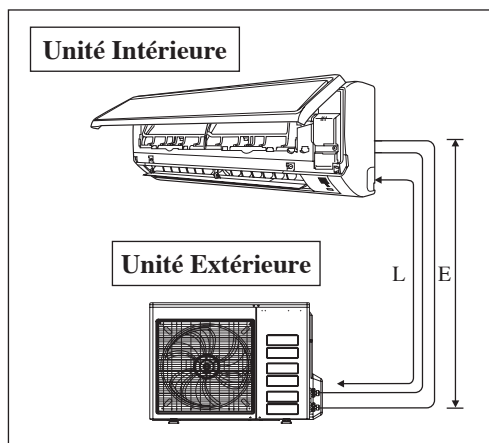
⚠️ AVERTISSEMENT

- N'installez pas l'unité, intérieure comme extérieure, à une altitude supérieure à 6560ft (2000m).

RACCORDEMENTS DES TUYAUTERIES

Longueur admissible de tuyauterie

Une tuyauterie trop longue va diminuer à la fois la performance et la fiabilité de l'appareil. Plus le nombre d'angles est grand, plus le système de réfrigérant résiste au flux, ce qui affaiblit la capacité de refroidissement. En conséquence, le compresseur peut connaître des défauts. Choisissez toujours le chemin le plus court et suivez les recommandations données dans le tableau ci-dessous:




Modèle	Intérieure (FTXB/FTKB)	09	12	18	24
	Extérieure (RXB/RKB)	09	12	18	24
Longueur minimum admissible (L), ft/(m)	9,84' (3)			9,84' (3)	
Longueur maximale autorisée (L), ft/(m)	65,6' (20)			98,4' (30)	
Élévation Admise Max (E), ft/(m)	32,8' (10)			32,8' (10)	
Racc. Tube Aspiration, pouces/(mm)	3/8" (9,52)			1/2" (12,70)	5/8" (15,88)
Racc. Tube Liquide, pouces/(mm)	1/4" (6,35)			1/4" (6,35)	

* Assurez-vous d'ajouter la quantité correcte de réfrigérant additionnel. Sinon, cela pourrait conduire à une réduction de performances.

Remarque : La charge complète de gaz se trouve dans l'unité extérieure jusqu'à une longueur nominale de 25ft (7,6m) aucun complément en réfrigérant n'est nécessaire.

Longueur équivalente pour le montage différents [Mètres (Pieds)]

Tuyau	L conjointe 
3/8" (OD9,52mm)	0,59' (0,18)
1/2" (OD12,7mm)	0,66' (0,20)
5/8" (OD15,9mm)	0,82' (0,25)
3/4" (OD19,1mm)	1,15' (0,35)
7/8" (OD22,2mm)	1,31' (0,40)
1" (OD25,4mm)	1,48' (0,45)
1 1/8" (OD28,6mm)	1,64' (0,50)
1 3/8" (OD34,9mm)	1,97' (0,60)

Remarques:

1. Longueur de tuyauterie équivalente est obtenue avec la longueur réelle de tuyauterie de gaz.
2. 90° coude de la tuyauterie est équivalent à L joint.

Les coudes doivent être réalisés avec soin afin de ne pas écraser le tuyau. Utilisez un cintreuse de plier un tuyau lorsque cela est possible.

RACCORDEMENTS DES TUYAUTERIES

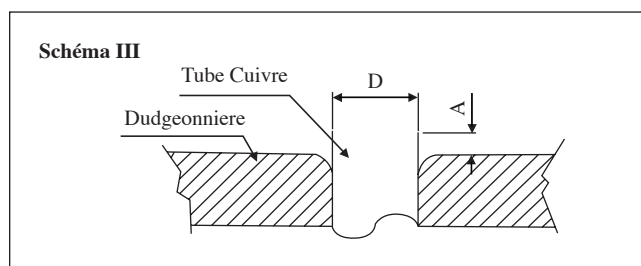
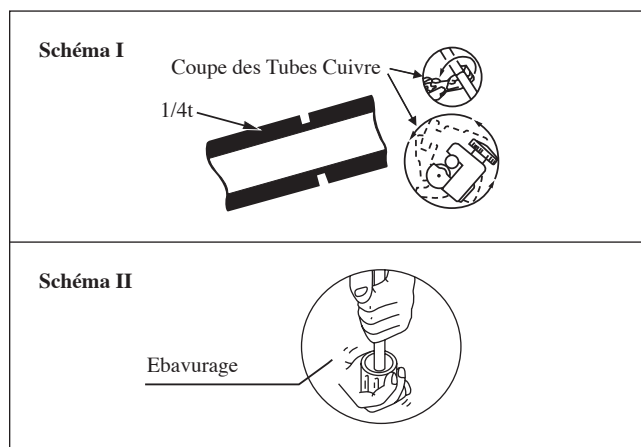
Travail Des Tuyauteries Et Technique Flare

- Ne pas utiliser de tuyauteries en cuivre encrassé ou endommagé. Si de la tuyauterie, un évaporateur ou un condensateur a été exposé ou a été ouvert pendant 15 secondes, passer le système à l'aspirateur. En règle générale ne pas retirer le plastique, les bouchons en caoutchouc et les écrous en laiton des vannes, raccords, tuyaux et bobines jusqu'à ce que cela soit prêt de raccorder le conduit d'aspiration ou de liquide dans les vannes ou les raccords.
- Si l'on doit effectuer un travail de soudage, s'assurer que l'azote passe par les serpentins et les joints durant le travail du soudage. Cela permettra d'éliminer la formation de suie sur la paroi interne des tubes en cuivre.
- Couper le tuyau étape par étape, avancer la lame du coupe-tube lentement. Une coupe profonde et forcée va déformer le tube davantage et ainsi causer plus de bavures. Voir Schéma I.
- Ebarber les bords coupés des tubes à l'aide d'un alésoir. Voir Schéma II. Tenir le tuyau en haut et l'ébarbeur à une position plus basse pour éviter que des morceaux de métal n'entrent dans le tuyau. Pour éviter toutes irrégularités sur les faces évasées, qui risqueraient de causer des fuites de gaz.
- Relier les écrous 'flare' montés sur les connexions des unités intérieure et extérieure aux tubes de cuivre.
- La longueur exacte de tube dépassant de la dudgeonnière dépend du type de dudgeonnière utilisé. Voir Schéma III.
- Placer le tube fermement dans la dudgeonnière. Aligner les centres des deux blocs d'emboutissage et poinçonnage, et puis serrez le poinçon au maximum.
- Le raccordement du tuyau de réfrigérant doit être isolé par du polyuréthane à cellules fermées.

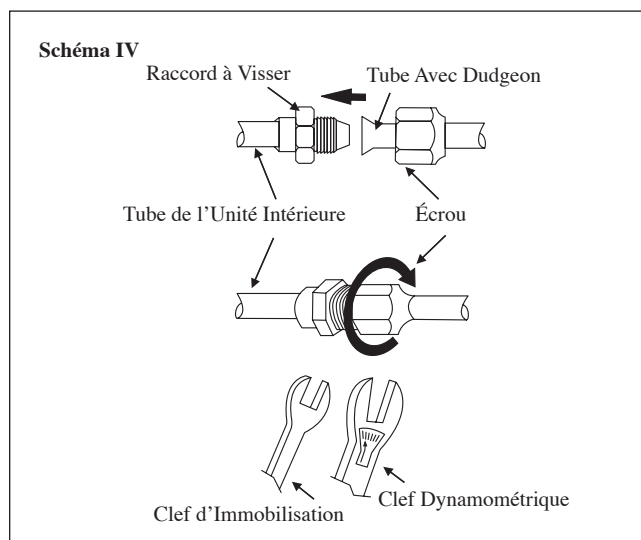
Raccordement de la tuyauterie aux unités

- Aligner le centre de la tuyauterie et serrer assez fort le raccord conique à la main. Voir Schéma IV.
- Enfin, serrer l'écrou à l'aide d'une clef dynamométrique jusqu'au clic.
- En serrant l'écrou avec la clef dynamométrique, veiller à respecter le sens de la flèche indiqué sur la clef.
- Le raccordement du tuyau de réfrigérant doit être isolé par du polyuréthane à cellules fermées.

Tuyau, pouce (mm)	Couple, ft-lb (Nm)
1/4" (6,35)	13,3 (18)
3/8" (9,52)	31,0 (42)
1/2" (12,70)	40,6 (55)
5/8" (15,88)	48,0 (65)
3/4" (19,05)	57,6 (78)



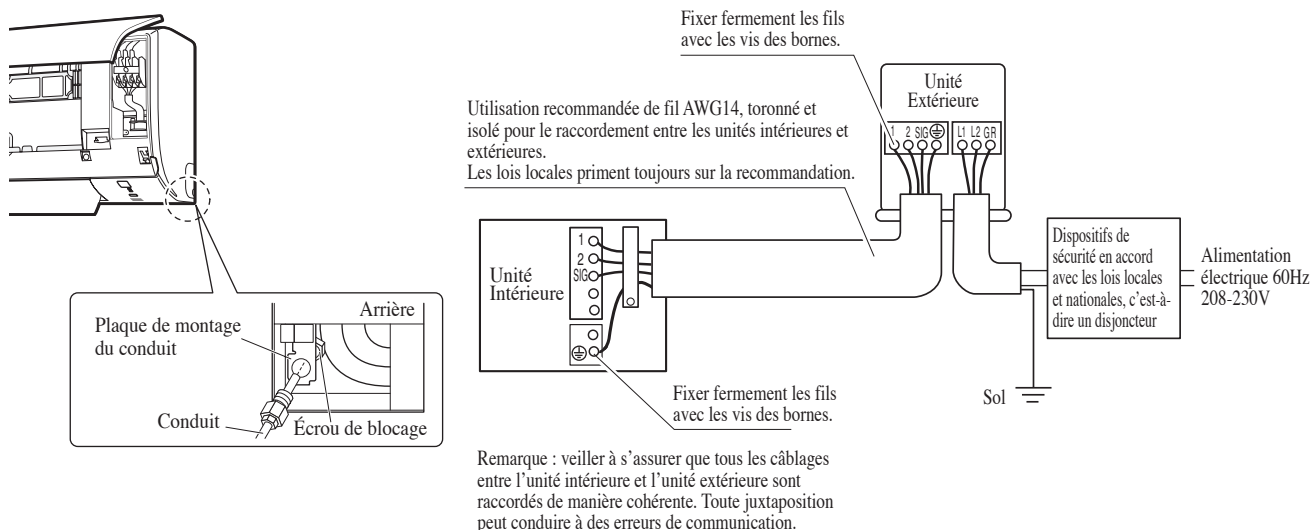
Ø Tube, D		A (Pouce/mm)	
Pouce	mm	Impérial (Type d'écrou à oreilles)	Normal (Type d'embrayage)
1/4"	6,35	0,051" (1,3)	0,028" (0,7)
3/8"	9,52	0,063" (1,6)	0,039" (1,0)
1/2"	12,70	0,075" (1,9)	0,051" (1,3)
5/8"	15,88	0,087" (2,2)	0,067" (1,7)
3/4"	19,05	0,098" (2,5)	0,079" (2,0)



RACCORDEMENT ÉLECTRIQUE

IMPORTANT : * Les valeurs ci-dessus ne sont données qu'à titre indicatif. Elles doivent, par conséquent, être vérifiées et choisies de façon à répondre aux lois et aux réglementations en vigueur dans le pays concerné. Elles sont en plus fonction du type d'installation et des conducteurs utilisés.

** Le voltage adéquat doit être vérifié avec les données de l'étiquette sur l'appareil.

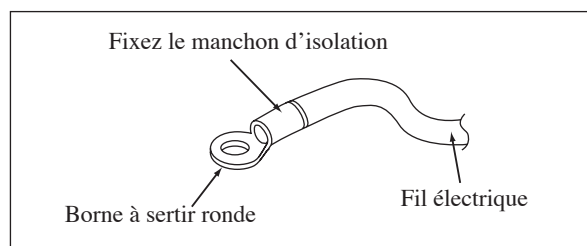


⚠ AVERTISSEMENT

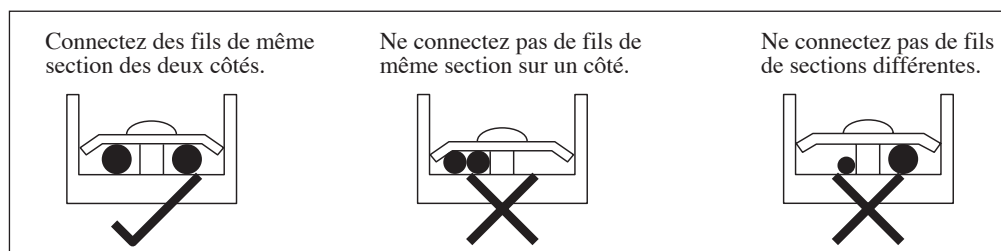
- Le remplacement complet du PCB est requis en cas de panne de fusible.

RXB09/12*, RKB09/12*	15A
RXB18/24*, RKB18/24*	20A

- Tous les fils doivent être fermement connectés.
- Aucun fil électrique ne doit toucher ni la tuyauterie du réfrigérant, ni le compresseur, ni les pièces mobiles du moteur de ventilation.
- Les connecteurs et les câbles du répartiteur ne doivent subir aucune pression externe.
- Tous les couvercles doivent être correctement fixés pour éviter tout vide.
- Utilisez des bornes à sertir rondes pour la connexion des fils au bloc d'alimentation. Connectez les fils en les faisant correspondre aux indications du bornier. (Référez-vous au schéma de câblage apposé sur l'unité).



- Utilisez le bon tournevis pour serrer les vis du répartiteur. Utiliser un tournevis non adapté peut endommager la tête de la vis.
- Ne pas trop serrer sous peine d'endommager la vis de bornes.
- Ne connectez pas de fils de sections différentes au même répartiteur.
- Réalisez le câblage de façon ordonnée. Le câblage ne doit pas obstruer les autres pièces ni le couvercle du boîtier du répartiteur.

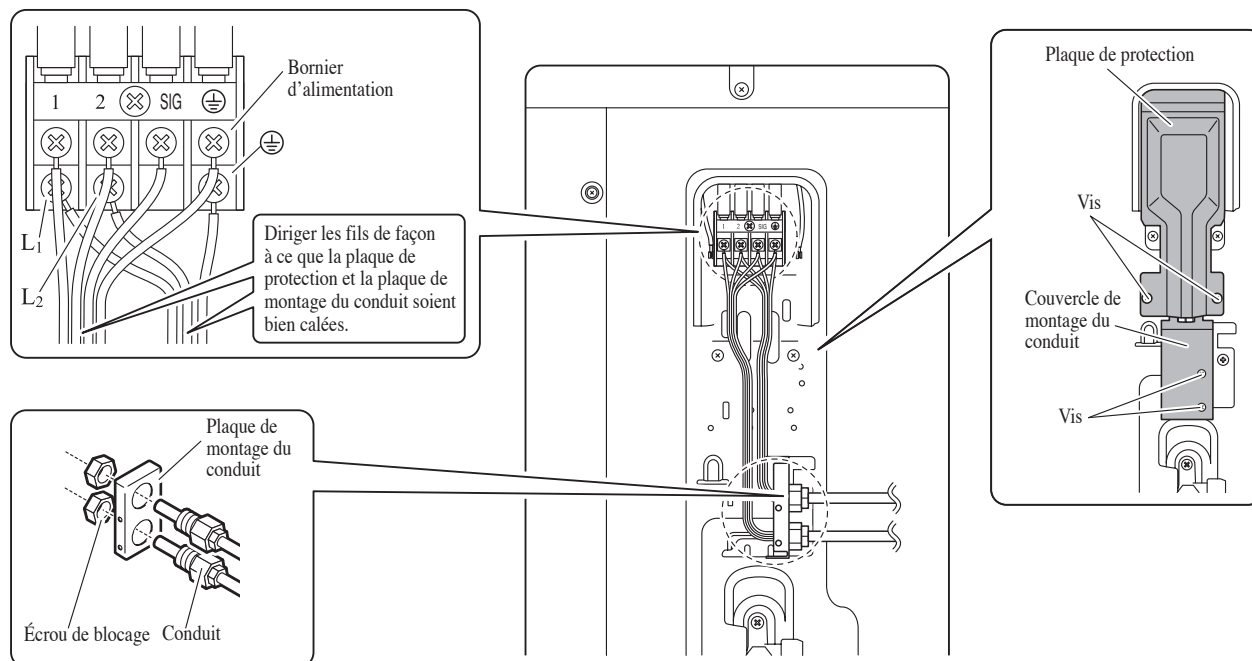


RACCORDEMENT ÉLECTRIQUE

Classe 09/12

[Méthode de montage du conduit]

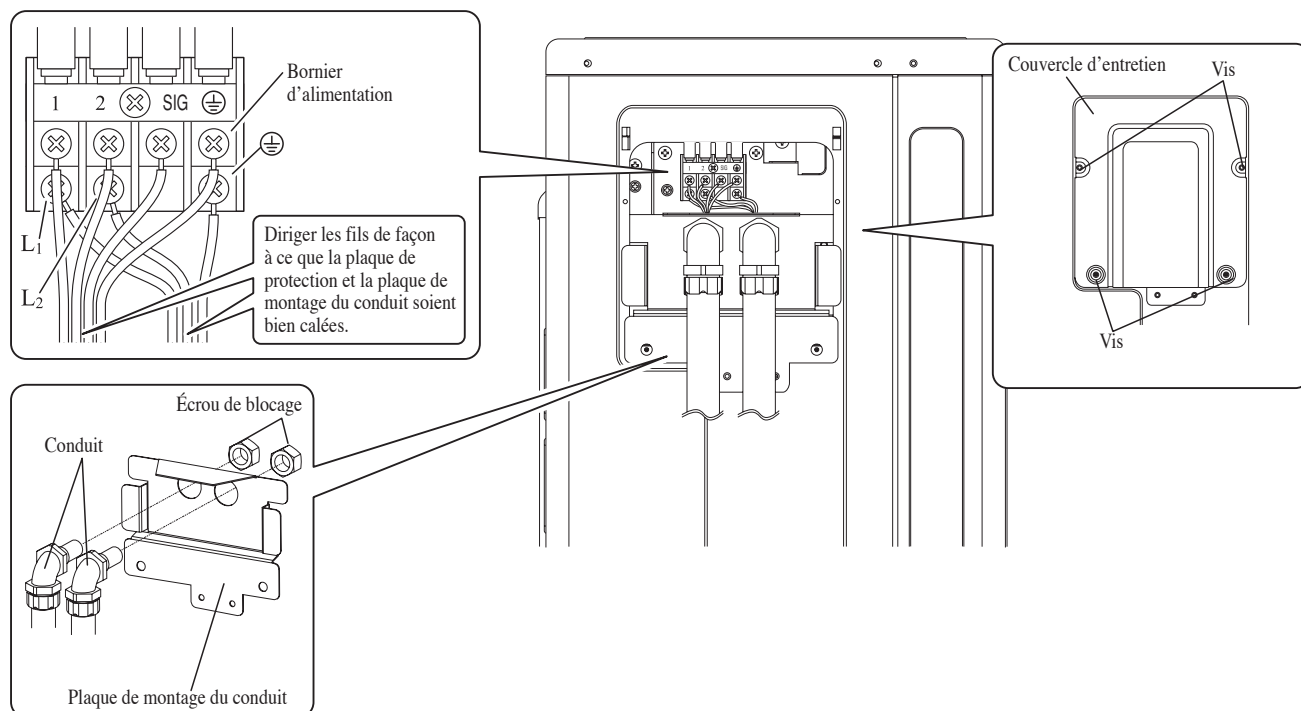
- Une plaque de protection est fixée pour isoler la partie haute tension.
- 1) Démontez le couvercle de la vanne d'arrêt en retirant les vis.
 - 2) Démontez la plaque de protection en retirant les 2 vis.
 - 3) Démontez le couvercle de montage du conduit en retirant les 2 vis.
 - 4) Passez les fils à travers le conduit et les fixez à l'aide d'un écrou de blocage.
 - 5) Une fois le travail terminé, réinstallez le couvercle de la vanne d'arrêt, le couvercle de montage du conduit et la plaque de protection dans leur position d'origine.



Classe 18/24

[Méthode de montage du conduit]

- 1) Démontez le couvercle de service en retirant les vis.
- 2) Passez les fils à travers le conduit et les fixez à l'aide d'un écrou de blocage.
- 3) Une fois le travail terminé, réinstallez le couvercle de service dans sa position d'origine.



PRÉCAUTIONS SPÉCIALES EN TRAITANT L'UNITÉ DE R410A

R410A est un nouveau réfrigérant de HFC qui n'endommage pas la couche d'ozone. La pression de travail de ce nouveau réfrigérant est 1,6 fois supérieure à celle d'un réfrigérant conventionnel (R22), une installation appropriée et un bon entretien sont donc essentiels.

- Jamais réfrigérant de l'utilisation autre que R410A dans un climatiseur qui est conçu pour fonctionner avec R410A.
- De l'huile POE ou PVE est employée comme lubrifiant pour le compresseur de R410A, qui est différente de l'huile minérale utilisée pour le compresseur R22. Pendant l'installation ou l'entretien, des précautions supplémentaires doivent être prises pour ne pas exposer le système de R410A trop long à l'air moite. L'huile résiduelle de POE ou de PVE dans la tuyauterie et les composants peuvent absorber l'humidité de l'air.
- Pour empêcher mischarging, le diamètre du port de service sur la valve de fusée est différent de celui de R22.

- Employez les outils et les matériaux exclusivement pour le réfrigérant R410A. Les outils exclusivement pour R410A sont valve diverse, tuyau de remplissage, indicateur de pression, détecteur de fuite de gaz, outils de fusée, clé dynamométrique, pompe de vide et cylindre de réfrigérant.
- Car un climatiseur de R410A encourt une pression plus élevée que les unités R22, il est essentiel de choisir les pipes de cuivre correctement.
- Si le gaz de réfrigérant fuit pendant l'installation/servicing, soyez sûr d'aérer entièrement. Si le gaz réfrigérant entre en contact avec le feu, un gaz toxique peut se produire.
- En installant ou en enlevant un climatiseur, ne laissez pas l'air ou l'humidité rester dans le cycle réfrigérant.

TIRAGE AU VIDE ET CHARGE

Aspirer est nécessaire pour éliminer toute humidité et air du système.

Aspiration sous vide des tuyauteries et de l'unité intérieure

Hormis pour l'appareil extérieur pré-chargé de réfrigérant, l'unité intérieure et les tuyaux de connexion doivent être purgés car l'air restant dans le cycle frigorifique contient de l'humidité et est susceptible de provoquer un dysfonctionnement du compresseur.

- Enlever le bouchon central, ainsi que le bouchon de la prise de pression sur chaque vanne.
- Raccorder le centre de la jauge de chargement à la pompe à vide.
- Raccorder la jauge de chargement à l'orifice de service de la valve à trois voies.
- Démarrer la pompe à vide. Évacuer pendant environ 30 minutes. La période d'évacuation varie selon la capacité de la pompe à vide. S'assurer que l'aiguille de la jauge de chargement se soit déplacée vers -14,7psi (-760mmHg).

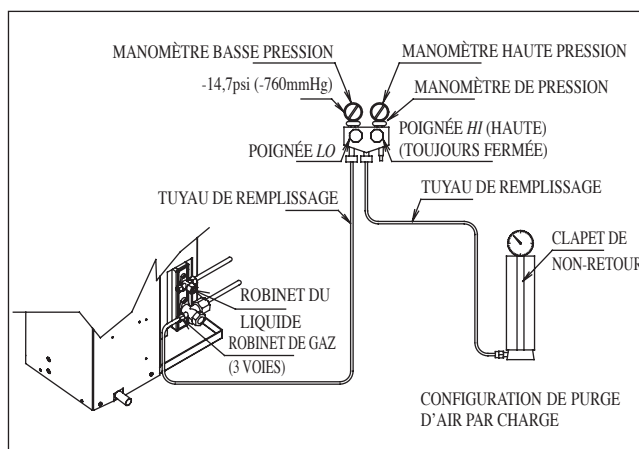
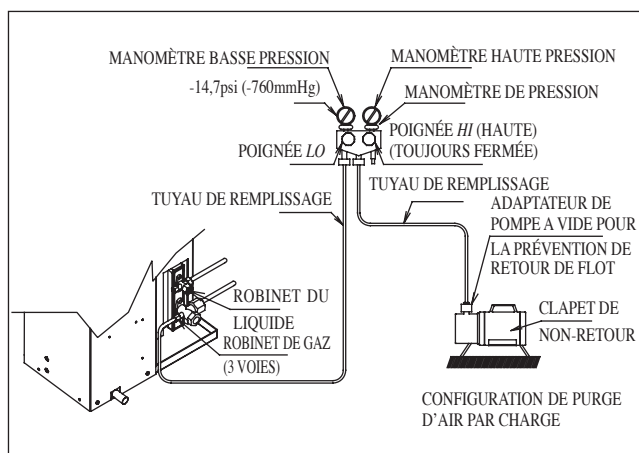
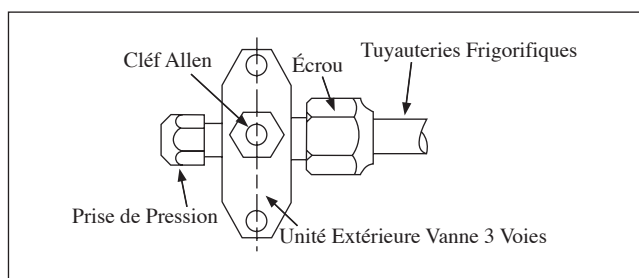
Avertissement

- Si l'aiguille du manomètre ne bouge pas -14,7psi (-760mmHg), assurez-vous de vérifier les fuites au type de fusée connexion de l'unité intérieure et extérieure et réparer la fuite avant de passer à l'étape suivante.
- Fermer la valve de la jauge de chargement et éteindre la pompe à vide.
- Sur l'unité extérieure, ouvrir la valve de succion (3 voies) et la valve de liquide (2 voies) (dans le sens inverse des aiguilles d'une montre) à l'aide d'une clé pour vis hexagonales de 5/32" (4mm).

Opération de chargement

Cette opération nécessite impérativement l'utilisation d'un cylindre de charge ou une balance de précision. Le complément de charge se fait sur l'unité extérieure par la vanne d'aspiration via la prise de pression de la vanne de service.

- Enlever le bouchon de la vanne de service.
- Raccorder le côté de basse pression de la jauge de chargement à l'orifice de succion du réservoir cylindrique et fermer le côté de haute pression de la jauge. Éliminer l'air du tuyau de service.
- Mettre le climatiseur en marche.
- Ouvrir le cylindre de gaz et la valve de chargement de basse pression.
- Lorsqu'une quantité suffisante de réfrigérant est injectée dans l'unité, fermer le côté basse pression et la valve du cylindre de gaz.
- Débrancher le tuyau de service de l'orifice de service. Remettre le bouchon de l'orifice de service.



CHARGE ADDITIONNELLE

Le réfrigérant est pré-chargé dans l'unité extérieure. Si la longueur des tuyaux est inférieure à 25ft (7,6m), alors la charge supplémentaire après un tirage n'est pas nécessaire. Si la longueur de la tuyauterie est supérieure à 25ft (7,6m), alors utiliser la valeur de charge supplémentaire comme indiqué dans le tableau.

Charge de réfrigérant supplémentaire [oz (g)] par longueur supplémentaire de 3,28ft (1m) indiquée dans le tableau

Modèle	Intérieure (FTXB/FTKB)	09	12	18	24
	Extérieure (RXB/RKB)	09	12	18	24
Charge additionnelle [oz/ft (g/m)]		0,21 (20)	0,21 (20)	0,21 (20)	0,21 (20)

Exemple :

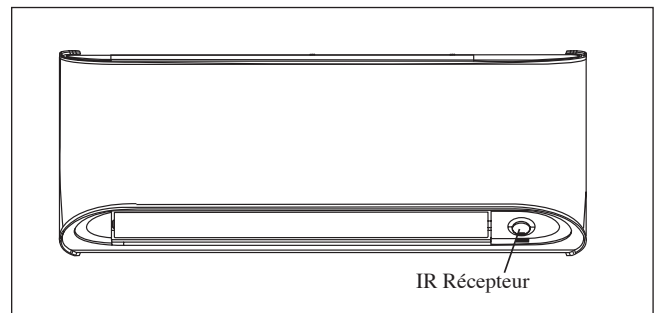
FTXB09 & RXB09 avec une longueur de tuyauterie de 39,4ft (12m) la longueur de tuyauterie supplémentaire est de 14,4ft (4,4m).
Ainsi, Charge additionnelle = 14,4ft (4,4m) x 0,21oz/ft [20g/m]
= 3,024oz [88,0g]

L'INDICATEUR S'ALLUME

IR Récepteur De Signal

Lorsqu'un signal de fonctionnement est transmis par une télécommande à infrarouges, le récepteur de signal de l'unité intérieure répond comme ci-dessous pour confirmer l'acceptation de la transmission du signal.

SUR vers ARRÊT	1 bip long
ARRÊT vers SUR Pompe bas/Force de refroidissement activée	2 bips courts
Autres	1 bips courts



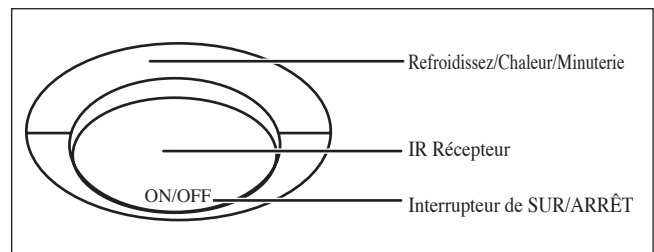
L'indicateur LED S'allume Pour L'unité De Refroidissement / Module Pompe À Chaleur

Froid Seul / Module Pompe À Chaleur

Le tableau ci-dessous reprend en détail la visualisation par led, des conditions normales de fonctionnement, et conditions de défaut du climatiseur.

Les voyants de signalisation de LED sont situés au milieu de l'unité de climatiseur.

L'unité de pompe de chaleur est équipée d'un mode « auto »; l'unité fournira une température ambiante raisonnable en faisant passer l'unité automatiquement au mode « refroidissement » ou au mode « chaleur », selon la température réglée par l'utilisateur.



L'indicateur LED S'allume : Conditions De Fonctionnement Normales Et Par Défaut Pour L'Unité De Refroidissement/Module Pompe À Chaleur

 REFROIDISSEZ/CHALEUR/MINUTERIE (BLEU/ROUGE/VIOLET)	Fonctionnement
○ BLEU	Mode de refroidissement
○ ROUGE	Mode chauffage
○ ROUGE	Mode Chauffage automatique
○ BLEU	Mode Refroidissement automatique
○ VIOLET	Minuterie en marche
○ BLEU	Mode ventilateur activé
○ BLEU	Mode sec activé
● ROUGE	Dégivrage
● BLEU	Erreur de l'unité

○ SUR

● LED clignotante

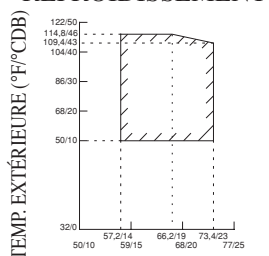
PLAGE DE FONCTIONNEMENT

Modèle de refroidissement uniquement

Modèle: FTKB 09/12

RKB 09/12

REFROIDISSEMENT



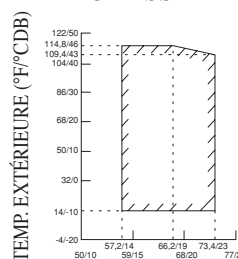
TEMP. INTÉRIEURE (°F/°CWB)

DB : Thermomètre sec

Modèle: FTKB 18/24

RKB 18/24

REFROIDISSEMENT



TEMP. INTÉRIEURE (°F/°CWB)

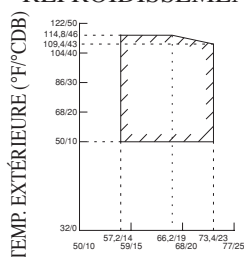
WB : Thermomètre mouillé

Modèle pompe à chaleur

Modèle: FTXB 09/12

RXB 09/12

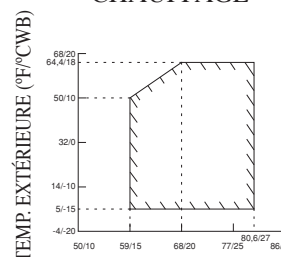
REFROIDISSEMENT



TEMP. INTÉRIEURE (°F/°CWB)

DB : Thermomètre sec

CHAUFFAGE



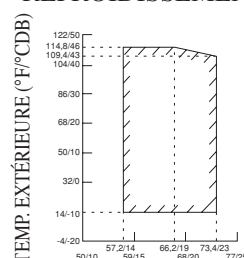
TEMP. INTÉRIEURE (°F/°CDB)

WB : Thermomètre mouillé

Modèle: FTXB 18/24

RXB 18/24

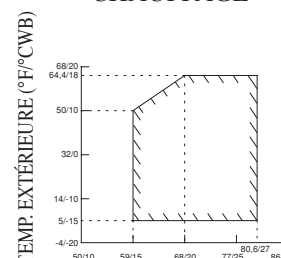
REFROIDISSEMENT



TEMP. INTÉRIEURE (°F/°CWB)

DB : Thermomètre sec

CHAUFFAGE



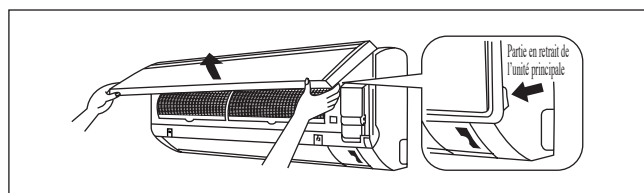
TEMP. INTÉRIEURE (°F/°CDB)

WB : Thermomètre mouillé

FILTRE À AIR

1. Ouvrez le panneau avant.

- Tenez le panneau par les parties en retrait de l'unité principale (2 parties en retrait à droite et à gauche) et soulevez-le jusqu'à ce qu'il s'arrête.



2. Retirez les filtres à air.

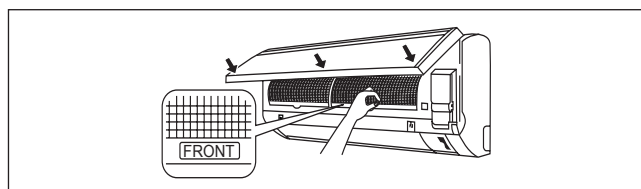
- Soulevez un peu la languette située au centre de chaque filtre à air, puis abaissez-la.

3. Nettoyez ou remplacez chaque filtre.

- Lorsque vous égouttez l'eau restante, ne tordez pas le filtre pour l'essorer.

4. Réglez le filtre à air et fermez le panneau avant.

- Insérez les griffes des filtres dans les logements du panneau avant. Fermez doucement le panneau avant et poussez le panneau sur les 3 points. (1 de chaque côté et 1 au milieu.)
- Le filtre à air a une forme symétrique dans la direction horizontale.



ENTRETIEN ET MAINTENANCE

Pieces A Entretenir	Procédure D'Entretien	Périodicité
Filtre à air intérieur	<ol style="list-style-type: none"> 1. Enlever la poussière du filtre à l'aide d'un aspirateur ou en lavant le filtre à l'eau tiède (moins de 40°C/104°F) avec un détergent neutre. 2. Bien rincer et sécher le filtre avant de le remettre en place. 3. Ne pas utiliser de gasoil, de substances volatiles ou autres produits chimiques pour nettoyer le filtre. 	Au moins une fois toutes les 2 semaines. Plus souvent si nécessaire.
Unité intérieure	<ol style="list-style-type: none"> 1. Nettoyer la grille et le panneau en les essuyant avec un chiffon doux mouillé à l'eau tiède (moins de 40°C/104°F) et un détergent neutre. 2. Ne pas utiliser de gasoil, de substances volatiles ou autres produits chimiques pour nettoyer l'unité intérieure. 	Au moins une fois toutes les 2 semaines. Plus souvent si nécessaire.

⚠ AVERTISSEMENT

- Évitez d'appliquer directement des produits de nettoyage et de traitement pour bobines sur les pièces en plastique. Une réaction chimique pourrait se produire et déformer les pièces en plastique.

1. Ouvrez le panneau avant.

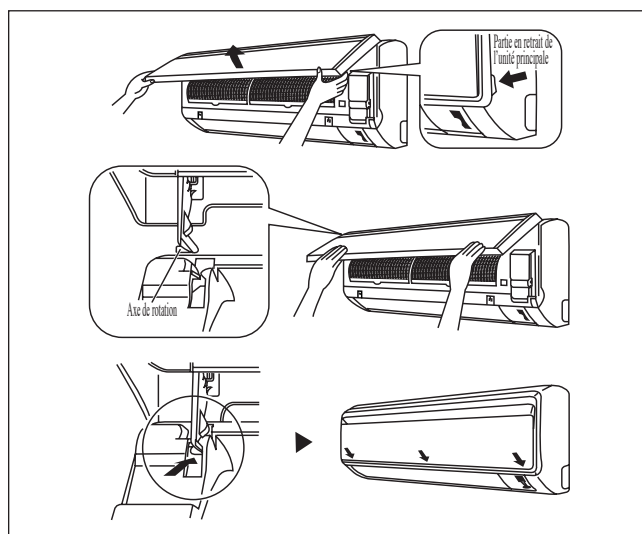
- Tenez le panneau par les parties en retrait de l'unité principale (2 parties en retrait à droite et à gauche) et soulevez-le jusqu'à ce qu'il s'arrête.

2. Retirez le panneau avant.

- Tout en soulevant plus le panneau avant, faites-le glisser vers la droite et tirez-le vers l'avant pour détacher l'axe de rotation à gauche. Faites glisser l'axe de rotation à droite vers la gauche et tirez-le vers l'avant pour le retirer.

3. Fixez le panneau avant.

- Alignez les axes de rotation à droite et à gauche du panneau avant avec les rainures et repoussez-les à fond à l'intérieur.
- Refermez doucement le panneau avant. (Faites pression au deux extrémités et au centre du panneau avant.)

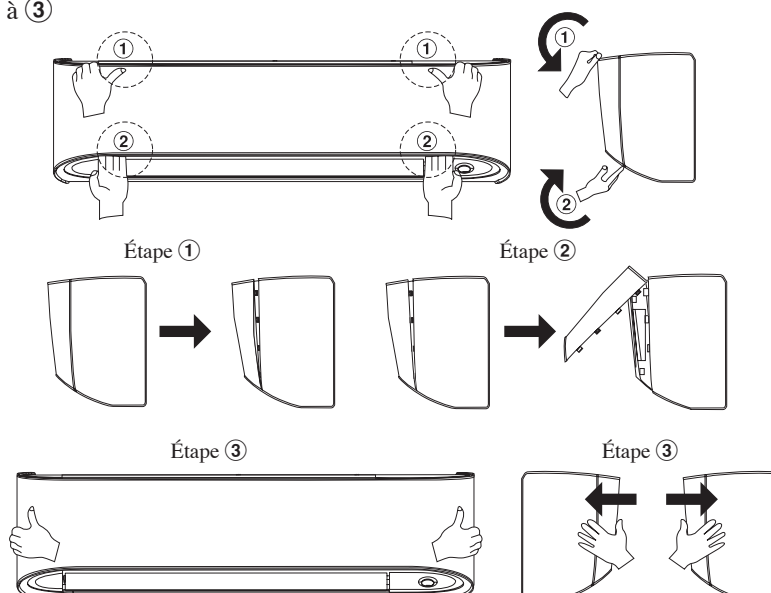


Étapes d'ouverture et de fermeture du panneau avant

Pour ouvrir le panneau avant

- 1) Soulevez les deux extrémités du panneau avant ① jusqu'à son arrêt en position de pré-fixation.
- 2) Soulevez les deux extrémités du panneau avant ② pour l'ouvrir et accéder aux pièces intérieures.

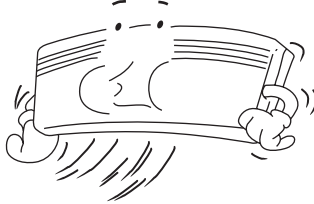
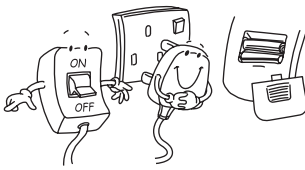
Pour fermer le panneau avant, suivez les étapes de l'ouverture dans l'ordre inverse. Insérez soigneusement montants les (4 montants de chaque côté, 8 montants au total) à gauche et à droite. Appuyez ensuite sur le panneau jusqu'à ce qu'il soit bien fermé. Référez-vous à ③



⚠ **AVERTISSEMENT**

- Ne touchez pas les parties métalliques de l'unité intérieure. Vous pourriez vous blesser.
- Lorsque vous démontez ou montez le panneau avant, empoignez-le fermement pour éviter qu'il ne tombe.
- Pour le nettoyage, n'utilisez pas d'eau chaude de plus de 104°F (40°C), ni benzine, ni essence, ni diluant, ni huiles volatiles, ni cirages, ni brosses à récurer, ni objets durs.
- Après le nettoyage, assurez-vous que le panneau avant est bien fixé.

Mise A L'Arrêt Prolongé Du Climatiseur

<p>Faites fonctionner l'unité pendant 2 heures sur les réglages suivants.</p> <p>Mode de fonctionnement : froid Température : 30°C/86°F</p>		<p>Retirer la prise du secteur. Si vous utilisez un circuit électrique unique pour le climatiseur, coupez le circuit. Enlever les piles de la télécommande.</p>	
---	---	---	---

DÉPANNAGE

Pour tout renseignement concernant les pièces détachées, contacter votre revendeur agréé. En cas de dysfonctionnement du climatiseur, éteindre immédiatement l'alimentation électrique de l'unité. Vérifier ensuite les points suivants pour détecter la nature et les causes de la panne.

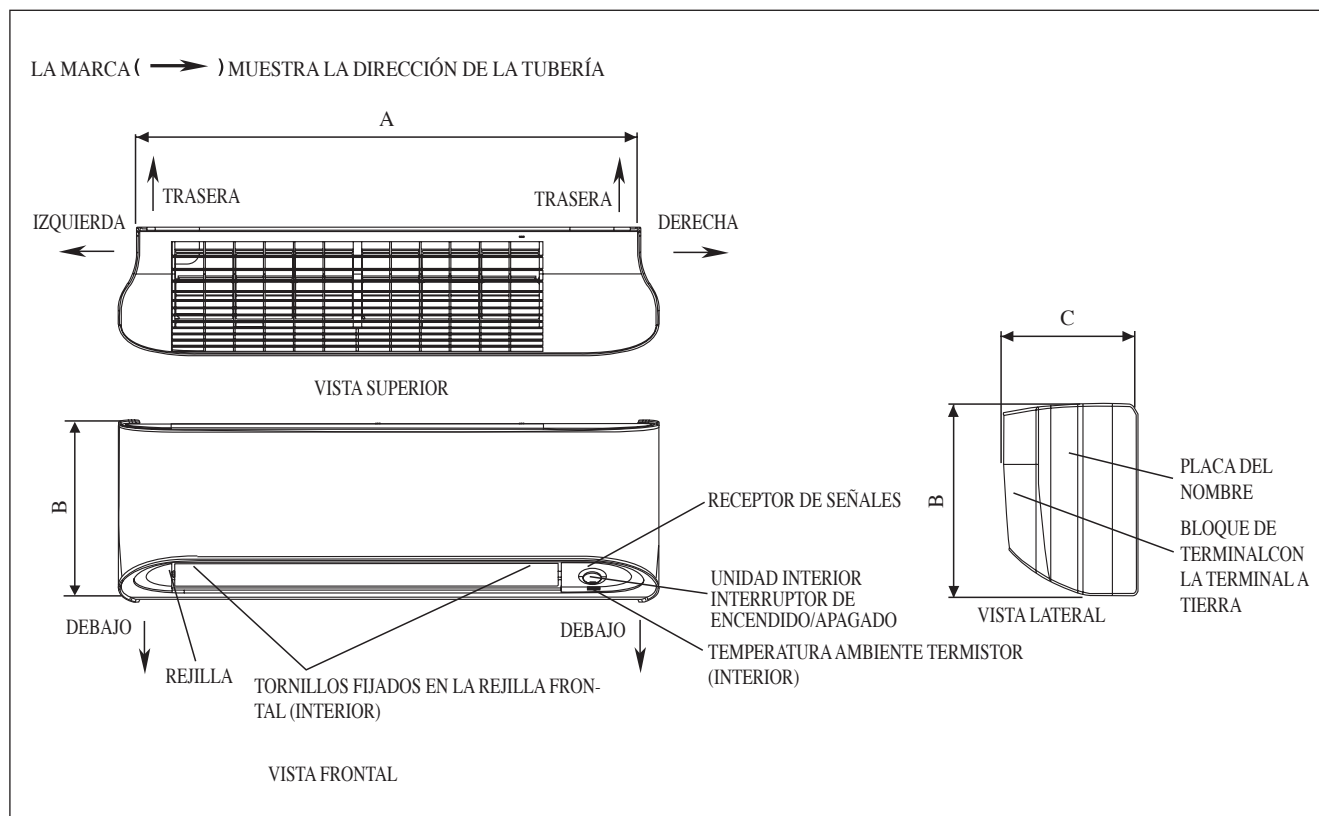
Defauts	Causes / Action
1. Le compresseur ne démarre pas 3 minutes après la mise en marche du climatiseur.	– Protection contre les démarrages fréquents. Laisser 3 à 4 minutes au compresseur pour démarrer.
2. Le climatiseur ne fonctionne pas.	– Panne d'alimentation ou le fusible est à changer. – La prise de courant est peut être débranchée. – La programmation de mise en marche/arrêt est peut-être mal réglée. – Si le problème persiste après toutes ces vérifications, veuillez contacter l'installateur du climatiseur.
3. Le flux d'air est trop faible.	– Le filtre à air est sale. – Les portes ou les fenêtres sont ouvertes. – Les entrées et sorties d'air sont bouchées. – La température réglée n'est pas assez élevée.
4. L'air dégagé a une mauvaise odeur.	– Les odeurs peuvent provenir de fumées de cigarettes, parfums ou autres particules adhérents au refroidisseur.
5. Condensation sur la grille frontale de l'unité intérieure.	– La condensation est due à l'humidité de l'air après une période de fonctionnement prolongée. – La température affichée est trop basse; augmenter la température et faire tourner l'appareil à vitesse de ventilation élevée.
6. Ecoulement d'eau du climatiseur.	– Mettez l'unité hors tension et appelez le revendeur.

Si les pannes persistent, appeler votre revendeur ou le service après-vente.

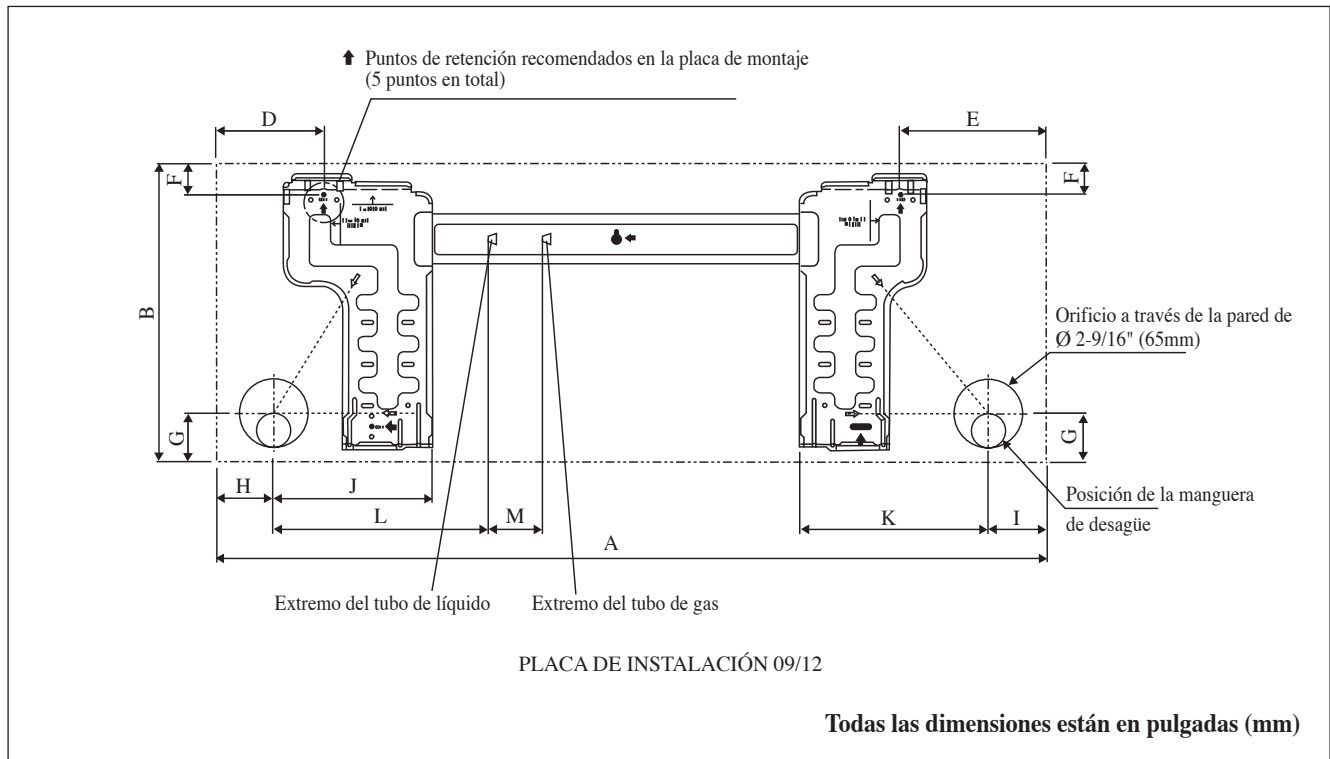
LE MÉMO

ESQUEMA Y DIMENSIONES

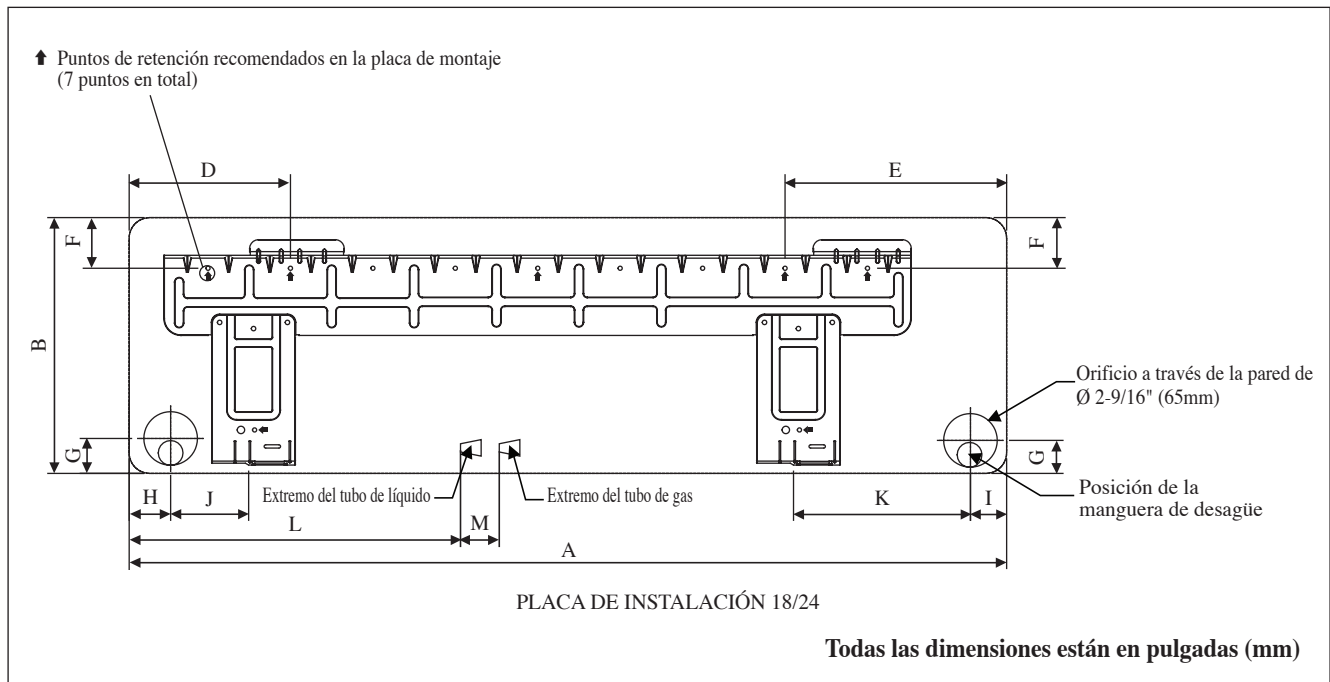
Unidad interior [FTXB/FTKB]



Unidad interior [FTXB/FTKB]

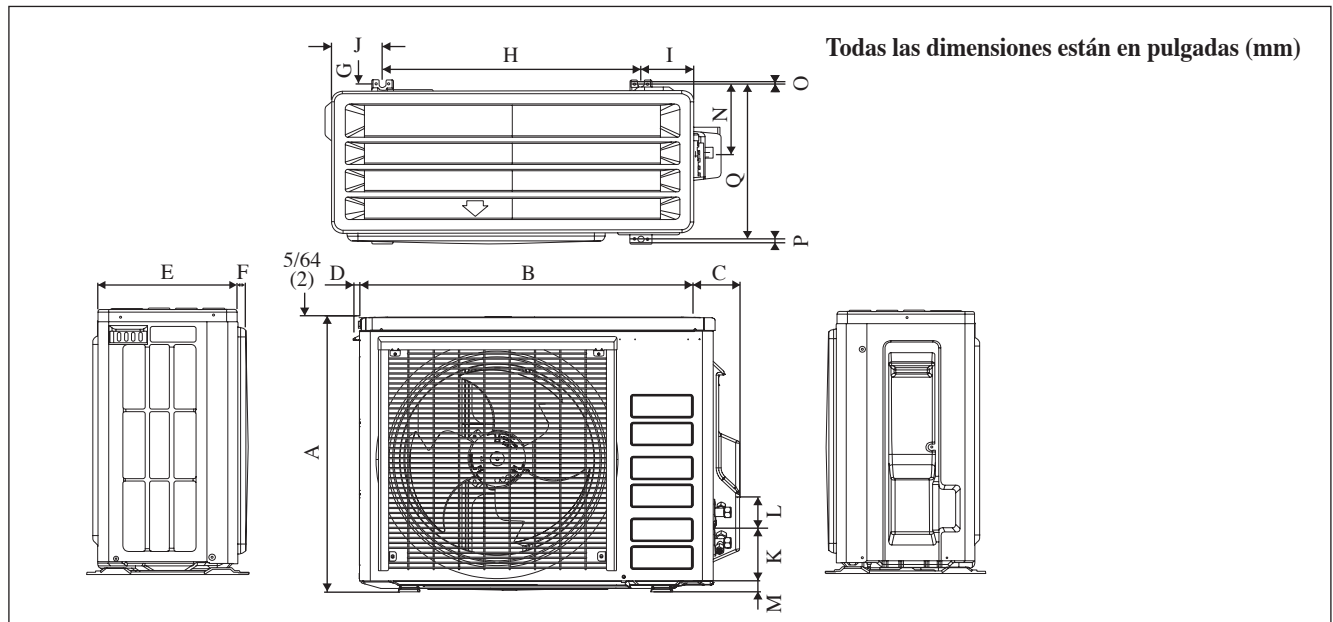


Dimensión	A	B	C	D	E	F	G	H	I	J	K	L	M
Modelo													
09/12	35-1/16 (890)	11-11/16 (297)	8-1/4 (210)	4-1/16 (104)	5-9/16 (141)	1-3/16 (30)	1-13/16 (46)	2-3/16 (55)	2-3/16 (56)	6 (153)	7-1/8 (181)	8-1/8 (207)	2-1/16 (52)

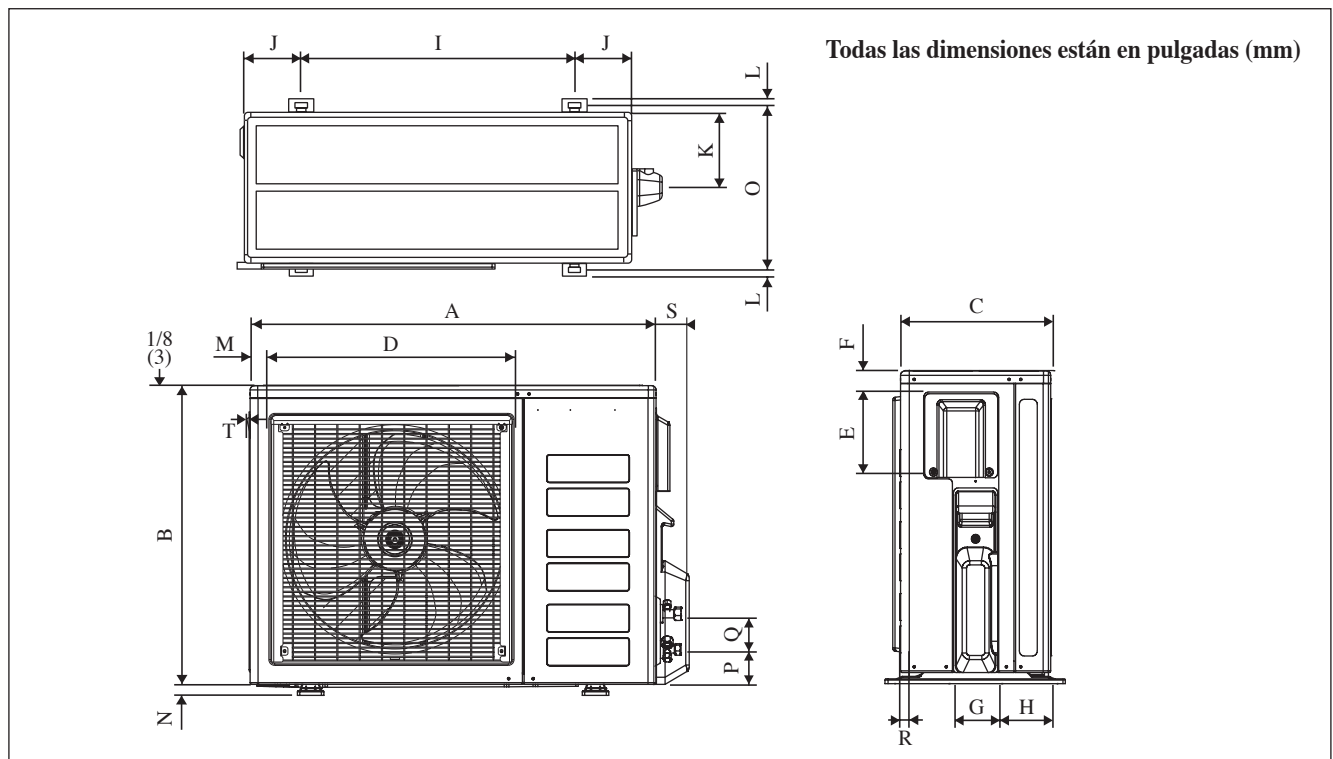


Dimensión	A	B	C	D	E	F	G	H	I	J	K	L	M
Model													
18/24	46-1/8 (1172)	12-5/8 (320)	9-1/2 (242)	7-1/2 (190)	6-13/16 (173)	2-3/8 (61)	1-9/16 (40)	1-3/4 (45)	1-7/8 (48)	3-9/16 (91)	8-5/8 (219)	22-13/16 (580)	1-3/4 (45)

Unidad exterior [RXB/RKB]



Modelo \ Dimensión	A	B	C	D	E	F	G	H	I	J	K	L	M	N	O	P	Q
09/12	21-5/8 (550)	25-15/16 (658)	2 (51)	7/16 (11)	10-3/4 (273)	5/8 (16)	9/16 (14)	18-1/2 (470)	3-3/4 (96)	3-11/16 (93)	3-11/16 (94)	2-3/8 (60)	9/16 (14)	5-1/4 (133)	5/16 (8)	3/8 (10)	11-3/4 (299)



Modelo \ Dimensión	A	B	C	D	E	F	G	H	I	J	K	L	M	N	O
18	33-11/16 (855)	24-3/4 (628)	12-15/16 (328)	20-1/2 (520)	7-1/16 (179)	1-13/16 (46)	4 (101)	4-7/16 (113)	23-3/4 (603)	4-15/16 (126)	6-7/16 (164)	9/16 (15)	1-5/16 (34)	15/16 (23)	14-1/4 (362)
24	33-11/16 (855)	28-3/4 (730)	12-15/16 (328)	20-1/2 (520)	7-1/16 (179)	1-13/16 (46)	4 (101)	4-7/16 (113)	23-3/4 (603)	4-15/16 (126)	6-7/16 (164)	9/16 (15)	1-5/16 (34)	15/16 (23)	14-1/4 (362)

Modelo \ Dimensión	P	Q	R	S	T
18	2-7/8 (73)	2-15/16 (75)	5/16 (8)	2-5/8 (67)	1/4 (7)
24	2-7/8 (73)	2-15/16 (75)	5/16 (8)	2-5/8 (67)	1/4 (7)

MANUAL DE INSTALACIÓN

Este manual facilita instrucciones de instalación que garantizan un seguro y buen funcionamiento de la unidad de aire acondicionado.

Es posible que sea necesario realizar un ajuste especial para adecuarse a los requisitos locales.

Por favor, antes de usar su equipo de aire acondicionado, lea cuidadosamente este manual de instrucciones, y consérvelo para futuras consultas. Este aparato está diseñado para ser utilizado por especialistas o usuarios formados, en tiendas, industria ligera y en granjas, o para uso comercial por personas no expertas.

Este equipo no está previsto para ser utilizado por personas con discapacidades físicas, sensoriales o psicológicas, incluyendo a los niños, al igual que personas sin experiencia o conocimientos necesarios para ello, a menos que dispongan de una supervisión o instrucciones sobre el uso del equipo proporcionadas por una persona responsable de su seguridad.

Deberá vigilarse a los niños para evitar que jueguen con el aparato.

PRECAUCIONES DE SEGURIDAD

ADVERTENCIA

- La instalación solo debe ser realizada por personal cualificado. La instalación se debe realizar de acuerdo con este manual de instalación. Una instalación inadecuada puede ocasionar una fuga de agua, una descarga eléctrica o un incendio.
- Al instalar la unidad en una habitación pequeña, tome medidas para evitar que la concentración del refrigerante supere los límites de seguridad permitidos. En caso de accidente en un espacio cerrado, una fuga excesiva de refrigerante puede provocar una deficiencia de oxígeno.
- Utilice solamente accesorios y componentes especificados para el trabajo de instalación. Si no se utilizan los componentes especificados, puede producirse una fuga de agua, una descarga eléctrica, un incendio, o la caída de la unidad.
- Instale el aire acondicionado o la bomba de calor sobre una base lo bastante resistente para soportar el peso de la unidad. Si se utiliza una base sin resistencia suficiente, la unidad podría caerse y provocar lesiones.
- Tenga en cuenta los vientos fuertes, tifones o terremotos en la instalación. Una instalación incorrecta puede ocasionar la caída de la unidad y provocar lesiones.
- Asegúrese de que la unidad cuente con un circuito de alimentación separado y que todo el trabajo eléctrico sea realizado por personal cualificado, de acuerdo con los reglamentos locales, estatales y nacionales. Una capacidad de suministro eléctrico insuficiente o una construcción eléctrica incorrecta puede causar una descarga eléctrica o un incendio.
- Asegúrese de que todo el cableado esté asegurado, que se utilicen los cables especificados y que ningún factor externo influya en las conexiones terminales ni en los cables. Una conexión o una instalación incorrectas pueden ocasionar un incendio.
- Al conectar el cableado, coloque los cables de manera que la tapa de la caja de cableado eléctrico pueda cerrarse de forma segura. Una colocación incorrecta de la tapa de la caja del cableado eléctrico puede provocar una descarga eléctrica, un incendio o el sobrecalentamiento de los terminales.
- Antes de tocar cualquier componente eléctrico, apague la unidad.
- Se recomienda instalar un interruptor de circuito de fallo a tierra (GFCI) si no hay ninguno instalado. Contribuye a evitar descargas eléctricas o incendios.
- Cierre de forma segura la cubierta de terminales de la unidad exterior (panel). Si la cubierta/panel de terminales no se instala correctamente, podría entrar polvo o agua en la unidad exterior, lo que podría provocar un incendio o una descarga eléctrica.
- Al instalar o reubicar el sistema, no permita que el circuito de refrigerante se contamine con sustancias distintas del refrigerante especificado (R410A), como por ejemplo aire. La presencia de aire u otra sustancia extraña en el circuito de refrigerante puede ocasionar un aumento anormal de la presión o una rotura, lo que podría causar lesiones.
- No cambie el ajuste de los dispositivos de protección. Si se produce un cortocircuito en el interruptor de presión, el interruptor térmico u otro dispositivo de protección y se fuerza su funcionamiento, o si se utilizan componentes distintos de los especificados por Daikin, podría producirse un incendio o una explosión.

PRECAUCIÓN

- No toque el interruptor con los dedos mojados. De hacerlo, podría recibir una descarga eléctrica.
- Para evitar lesiones, no permita a los niños jugar con la unidad ni alrededor de ella.
- Las aletas del intercambiador de calor son afiladas y cortan. Para evitar lesiones, utilice guantes o cubra las aletas mientras trabaja en torno a ellas.
- No toque los tubos de refrigerante durante e inmediatamente después del funcionamiento, ya que podrían estar calientes o fríos, en función del estado del refrigerante que fluye por los tubos, el compresor y otras partes del ciclo del refrigerante. Si toca los tubos de refrigerante, podría sufrir quemaduras o congelación en las manos. Para evitar lesiones, deje que los tubos recuperen su temperatura normal o, si es necesario tocarlos, asegúrese de usar guantes adecuados.
- Instale tuberías de drenaje para un drenaje adecuado. Unos tubos de drenaje inadecuados podrían ocasionar fugas de agua y daños materiales.
- Aísle las tuberías para evitar que se produzca condensación.
- Tenga cuidado al transportar el producto.
- No apague la alimentación inmediatamente después de detener el funcionamiento. Espere al menos 5 minutos antes de apagar la alimentación. De lo contrario, podría producirse una fuga de agua.
- No use un cilindro de carga. El uso de un cilindro de carga podría deteriorar el refrigerante
- El refrigerante R410A del sistema se debe mantener limpio, seco y estanco.
 - (a) Limpio y seco: evite la entrada en el sistema de materiales extraños (incluidos aceites minerales, tales como aceite SUNISO, o humedad)
 - (b) Estanco -- el refrigerante R410A no contiene cloro, no destruye la capa de ozono y no deteriora la protección de la Tierra contra la radiación ultravioleta dañina. Si se libera, el R410A puede contribuir al efecto invernadero. Por tanto, tome medidas adecuadas para verificar la estanquidad de la instalación de las tuberías de refrigerante. Lea el capítulo Tubería de refrigerante y siga los procedimientos.
- Ya que el R410A es una mezcla, el refrigerante adicional necesario deberá cargarse en estado líquido. Si el refrigerante se carga en estado gaseoso, su composición puede cambiar y el sistema no funcionará correctamente.
- La unidad interior utiliza R410A. Consulte el catálogo para ver los modelos de interior que se pueden conectar. No es posible un funcionamiento normal si se conecta a otras unidades.

- La distancia de transmisión del control remoto (kit inalámbrico) puede ser menor a la esperada en habitaciones con lámparas electrónicas fluorescentes (de inversor o encendido rápido). Instale la unidad interior lo más lejos posible de lámparas fluorescentes.
- Las unidades de interior solo deben instalarse en interiores. Las unidades exteriores pueden instalarse en exteriores o en interiores. Esta unidad es para uso en interiores.
- No instale el aire acondicionado ni la bomba de calor en los siguientes lugares:
 - (a) Donde se produzcan neblinas de aceite mineral, pulverizaciones de aceite o vapor, como por ejemplo en una cocina. Las piezas de plástico podrían deteriorarse y desprenderse, o producir una fuga de agua.
 - (b) Donde se produzca gas corrosivo, como gases sulfurosos. La corrosión de tubos de cobre o componentes soldados podría producir una fuga de refrigerante.
 - (c) Cerca de máquinas que produzcan ondas electromagnéticas. Las ondas electromagnéticas podrían alterar el funcionamiento del sistema de control y provocar un mal funcionamiento de la unidad.
 - (d) Donde pudiera haber fugas de gas inflamable, donde haya fibra de carbono o polvo inflamable en suspensión en el aire, o donde se manipulen productos inflamables como disolventes o gasolina. Si se utiliza la unidad en estas condiciones, podría producirse un incendio.
- Tome medidas adecuadas para evitar que la unidad exterior sea utilizada como cobijo de animales pequeños. El contacto de estos animales con componentes eléctricos puede causar averías, humo o un incendio. Indique al usuario que mantenga limpia el área circundante a la unidad.

NOTA

- Instale los cables de alimentación y de conexión entre las unidades interior y exterior a una distancia mínima de 3,5 pies (1 m) de aparatos de televisión y radios, para evitar interferencias en la imagen y ruidos. En función de las ondas de radio, es posible que una distancia de 3,5 pies (1 m) no sea suficiente para eliminar el ruido.
- El desmantelamiento de la unidad, así como el tratamiento del refrigerante, el aceite y otros componentes se debe realizar de acuerdo con los reglamentos locales, estatales y nacionales correspondientes.
- No utilice las siguientes herramientas, utilizadas normalmente con refrigerantes convencionales: colector de manómetro, manguera de carga, detector de escapes de gas, válvula de retención de flujo inverso, base de carga de refrigerante, vacuómetro o equipos de recuperación de refrigerante.
- Si el refrigerante convencional y el aceite refrigerante se mezclan con el R410A, el refrigerante podría deteriorarse.
- Este aire acondicionado o bomba de calor es un aparato que no debería ser accesible al público general.
- Dado que la presión de diseño es de 536 psi, el espesor de pared de los tubos instalados en el campo debe elegirse de acuerdo con la legislación local, estatal y nacional vigente.

PELIGRO

- El gas refrigerante es más pesado que el aire y desplaza al oxígeno. Una fuga masiva puede dar lugar a agotamiento del oxígeno, especialmente en los sótanos, con el correspondiente peligro de asfixia y riesgo de lesiones graves o incluso la muerte.
- No ponga a tierra las unidades a través de tuberías de agua, tuberías de gas, cables telefónicos ni barras colectoras de pararrayos, dado que una puesta a tierra incompleta podría dar lugar a peligro de descargas eléctricas y riesgo de lesiones graves o incluso la muerte. Además, la puesta a tierra a través de tuberías de gas podría provocar una fuga de gas y peligro de explosiones con riesgo de lesiones graves o incluso la muerte.
- Si se produce una fuga de gas refrigerante durante la instalación, ventile inmediatamente el lugar. Gas refrigerante puede generar gases tóxicos si se expone al fuego. La exposición a este gas podría provocar lesiones graves o incluso la muerte.
- Una vez completados los trabajos de instalación, asegúrese de que no se produzcan fugas de gas refrigerante en ningún punto del sistema.
- No instale la unidad en zonas en las que existan materiales inflamables, debido al peligro de explosión y el riesgo de lesiones graves o incluso la muerte.
- Elimine de forma segura todos los materiales de embalaje y transporte, de conformidad con la legislación nacional/estatal/local o las ordenanzas aplicables. Ciertos materiales de embalaje, tales como clavos y otros elementos metálicos o de madera, así como los materiales de embalaje de plástico utilizados para el transporte, pueden dar lugar a lesiones o muerte por asfixia.

AVISO

Requisitos para la eliminación

Su acondicionador de aire está marcado con este símbolo. Esto significa que los productos eléctricos y electrónicos no deben mezclarse con el resto de residuos domésticos no clasificados.

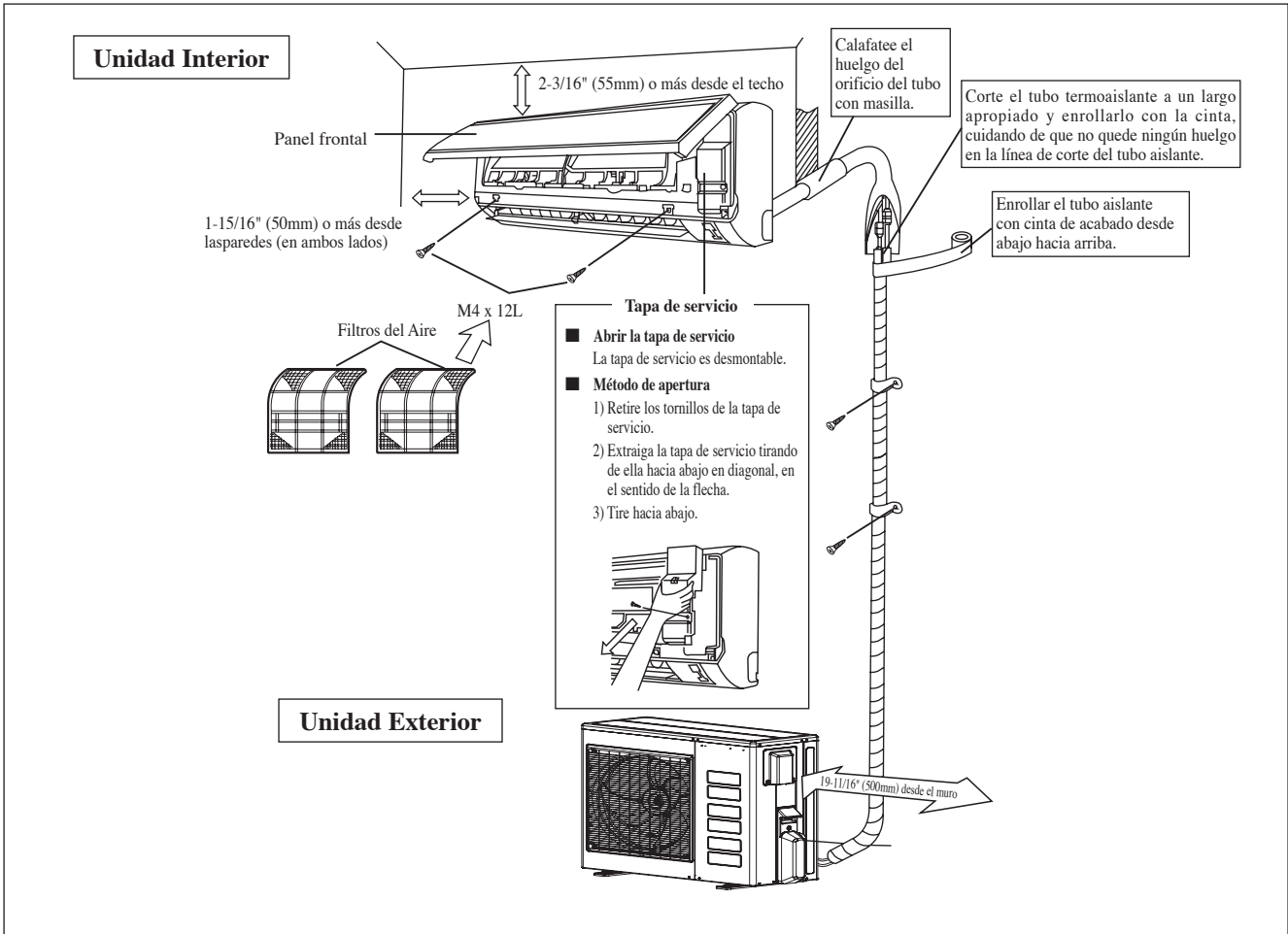
No intente desmontar el sistema usted mismo: el desmantelamiento del acondicionador de aire, así como el tratamiento del refrigerante, aceite y otros componentes, debe ser efectuado por un instalador competente de acuerdo con las normas locales y nacionales aplicables.

Los acondicionadores de aire deben ser tratados en instalaciones especializadas para su reutilización, reciclaje y recuperación. Al asegurarse de desechar este producto de la forma correcta, está contribuyendo a evitar posibles consecuencias negativas para el entorno y para la salud de las personas. Contacte, por favor, con el instalador o con las autoridades locales para obtener más información.

Las pilas del control remoto deben extraerse y eliminarse por separado y de acuerdo con la normativa local y nacional aplicable.



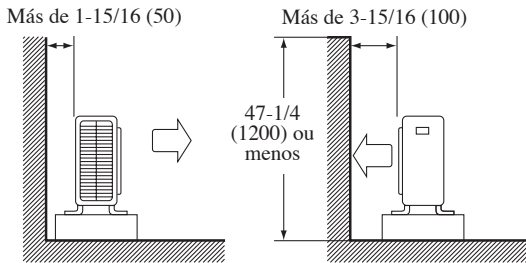
DIAGRAMMA DE LA INSTALACIÓN



INSTALACIÓN DE LA UNIDAD DE EXTERIOR 09/12

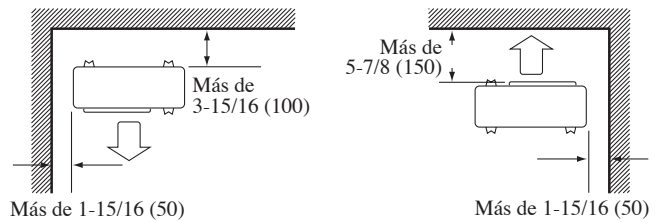
- Cuando haya una pared u otro obstáculo que obstruya la circulación del aire de entrada o salida de la unidad exterior, siga las instrucciones de instalación de abajo.
- Para cualquiera de los modelo de instalación, la altura de la pared del lado de salida ha de ser de 47-1/4" (1200mm) o inferior.

Pared a un lado



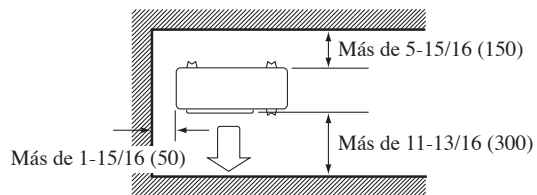
Vista lateral

Pared a dos lados



Vista superior

Pared a tres lados

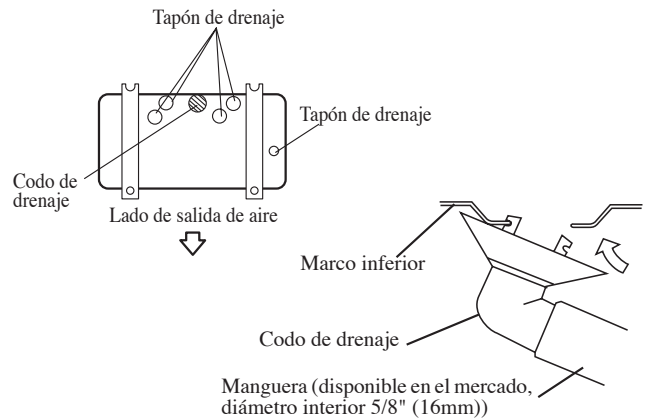


Vista superior

Unidad: Pulgadas (mm)

Trabajo de drenaje. (Sólo Unidad de Bomba de Calor)

- 1) Para el drenaje, utilice el codo previsto para ello.
- 2) Si el puerto de drenado está cubierto por una base de montaje o una superficie de suelo, coloque bases adicionales de al menos 1-3/16" (30mm) de altura debajo de los soportes de la unidad exterior.
- 3) En zonas frías, no utilice ningún codo de drenaje, tapones de drenaje ni mangueras de drenaje con la unidad exterior. (De lo contrario, el agua de drenaje se puede congelar, impidiendo el funcionamiento de la calefacción.)



INSTALACIÓN DE LA UNIDAD DE EXTERIOR (18/24)

La unidad exterior se ha de instalar de tal modo que evite cortocircuitos del aire caliente descargado o obstrucción del flujo de aire suave. Por favor, siga el espacio proporcionado para la instalación tal y como se indica en el gráfico. Seleccione el lugar más frío posible donde el aire de entrada no sea superior a la de la temperatura exterior (Consulte el rango operativo).

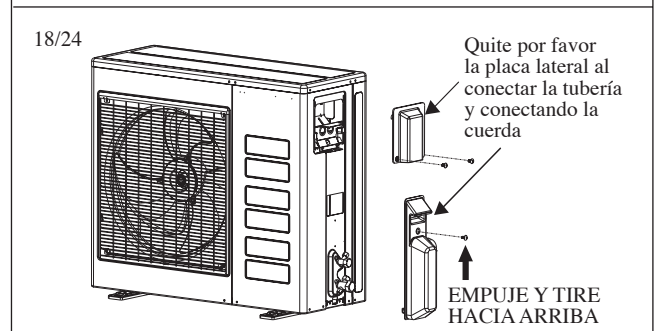
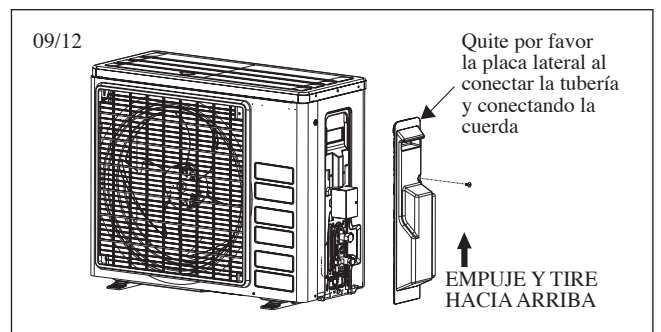
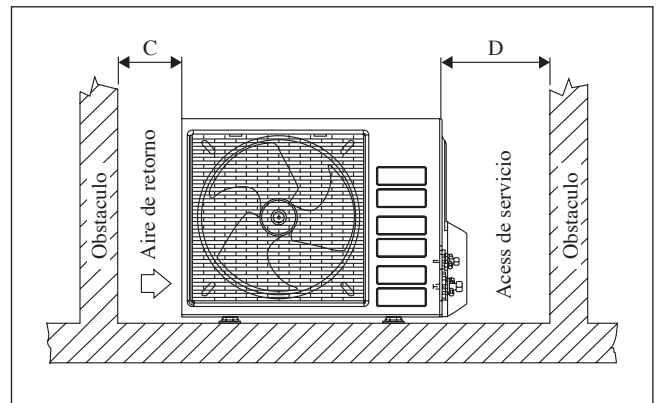
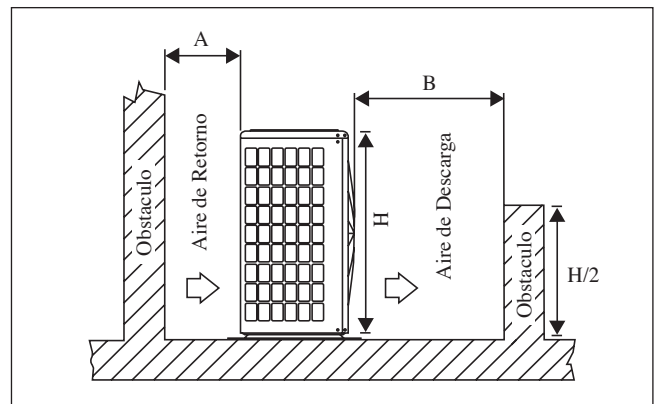
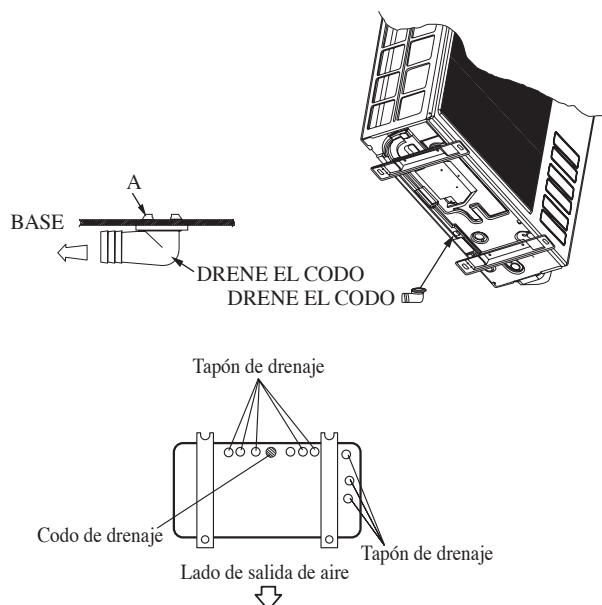
Espacio libre de instalación

Dimensión	A	B	C	D
Distancia mínima, pulgadas (mm)	11-13/16 (300)	39-3/8 (1000)	11-13/16 (300)	19-11/16 (500)

Nota: Si hay algún obstáculo mayor que la mitad de la altura de la unidad (H), por favor dejar un mayor margen a la cifra indicada en la tabla anterior.

Disposición Condensada Del Agua De La Unidad Al Aire libre (Unidad De La Pompa De Calor Solamente)

- Hay 10 agujeros en la base de la unidad al aire libre para que el agua condensada fluya hacia fuera. Inserte el codo del dren a uno de los agujeros.
- Para instalar el codo del dren, primer relleno una porción del gancho a la base (porción A), entonces tirar del codo del dren en la dirección demostrada por la flecha mientras que inserta la otra porción a la base. Después de la instalación, cheque para asegurarse de que el codo del dren se aferre en la base firmemente.
- Si la unidad está instalada en un nevoso y chily un área, el agua condensada puede congelar en la base. En tal caso, quite por favor el enchufe en el fondo de la unidad para alisar el drenaje.



INSTALACIÓN DE LA UNIDAD INTERIOR

1. Precauciones para la selección de una ubicación

- 1) Seleccione un lugar lo suficientemente resistente como para soportar el peso y las vibraciones de la unidad, y desde el cual el ruido de operación no resulte amplificado.
- 2) Seleccione una ubicación en la cual ni el aire caliente descargado por la unidad ni el ruido del funcionamiento puedan suponer una molestia para los vecinos del usuario.
- 3) Evite aquellos lugares en los que el ruido del funcionamiento pueda suponer una molestia, por ejemplo, cerca de dormitorios.
- 4) Debe quedar un espacio suficiente para la entrada y salida de la unidad al o del emplazamiento.
- 5) Debe existir un espacio suficiente para el paso de aire, sin obstrucciones alrededor de la entrada y la salida de aire.
- 6) El emplazamiento no debe estar expuesto a fugas de gas inflamable en su entorno.
- 7) Instale las unidades, los cables de alimentación y los cables entre unidades a una distancia mínima de 10pies (3m) de aparatos de televisión y radio. (Se hace así para prevenir interferencias a la imagen y el sonido. Puede producirse ruido incluso si la distancia es mayor de 10ft (3m), en función de las condiciones de las ondas de radio.)
- 8) En zonas costeras u otros lugares con presencia de atmósfera salina o contaminación de gases sulfurosos, la corrosión puede acortar la vida útil del aire acondicionado.
- 9) Ya que fluirá agua desde el drenaje de la unidad exterior, no coloque nada que deba mantenerse alejado de la humedad debajo de la misma.

NOTA

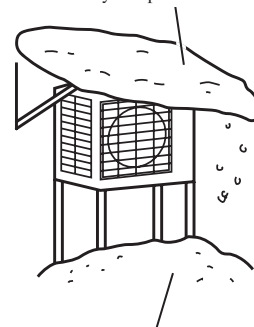
No se permite instalar las unidades suspendidas de un techo ni apiladas.

⚠ PRECAUCIÓN

Si acciona el aire acondicionado en un entorno con una temperatura exterior baja, asegúrese de respetar las instrucciones descritas a continuación.

- Para evitar su exposición al viento, instale la unidad exterior con el lado de succión orientado hacia la pared.
- Nunca instale la unidad exterior en lugares en los que el lado de succión pueda estar expuesto directamente al viento.
- Para evitar su exposición al viento, se recomienda instalar una placa deflectora en el lado de descarga de aire de la unidad exterior.
- En zonas con grandes precipitaciones de nieve, elija un emplazamiento en el que la nieve no afecte a la unidad.
- Si es probable que se acumule nieve sobre la unidad exterior, instale una cubierta protectora contra la nieve.
- En áreas muy húmedas o con grandes precipitaciones de nieve, se recomienda instalar un calentador en la bandeja de drenaje para evitar la acumulación sobre el bastidor inferior.

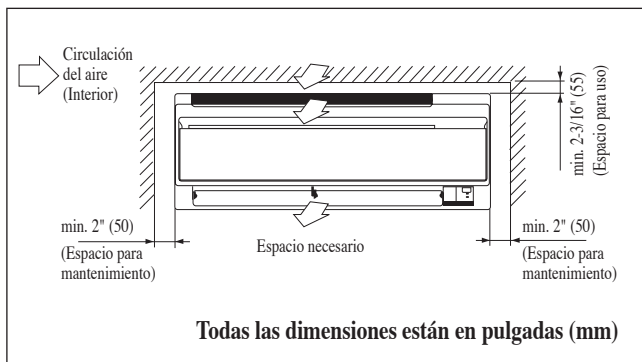
- Construya un toldo grande.
- Construya un pedestal



Instale la unidad suficientemente alejada del suelo para evitar que quede enterrada en la nieve.

INSTALACIÓN DE LA UNIDAD INTERIOR

La unidad de interior debe estar instalada de modo que el aire de descarga frío no entre en contacto con el aire de retorno caliente. Por favor, siga el espacio proporcionado para la instalación tal y como se indica en el gráfico. No colocar la unidad de interior donde le caiga la luz del sol directamente. El emplazamiento debe ser adecuado para las tuberías y la evacuación y debe estar lejos de la puerta o ventana.

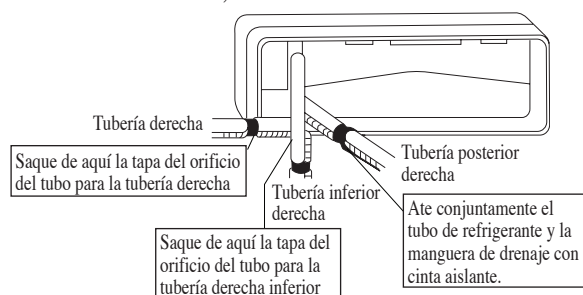


⚠ PRECAUCIÓN

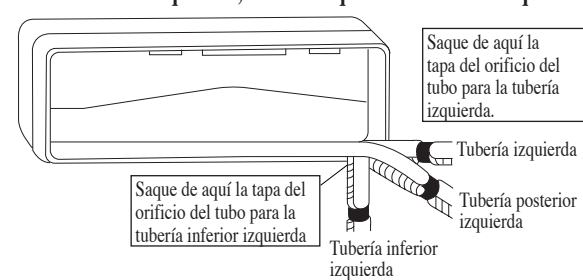
- El montaje debe realizarse de modo que las piezas móviles más bajas queden a una distancia mínima de 8 pies (2,4m) desde el nivel del pavimento o la tierra.

La tubería de refrigerante se puede dirigir hasta la unidad de varias maneras (izquierda o derecha detrás de la unidad), usando los agujeros recortados en la caja de la unidad. Doblar cuidadosamente las tuberías hasta la posición requerida para alinearlas con el agujero. Para la extracción inferior y lateral, sujetar la parte inferior de la tubería y fijar la dirección. La manguera de desagüe de condensación debe ser fijada con cinta a las tuberías.

Tubería lateral derecha, trasera derecha o inferior derecha



Tubería lateral izquierda, trasera izquierda o inferior izquierda

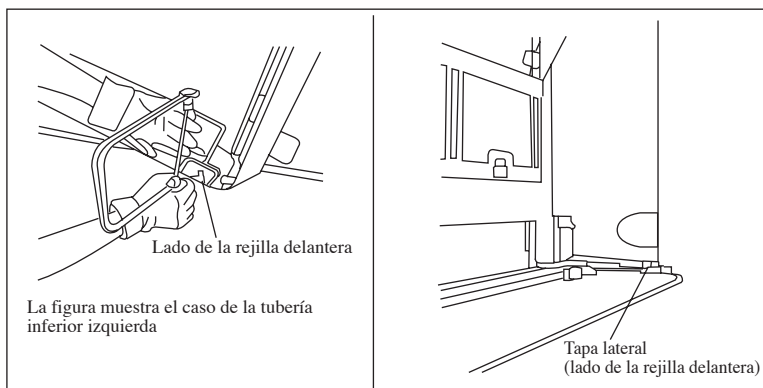


Tubería inferior o lateral

1) Corte la tapa de orificio de tubo con una segueta.

- Para la tubería inferior: En la parte inferior de la rejilla delantera.
- Para la tubería lateral: En la tapa lateral (lado de la rejilla delantera y lado de la unidad).

Aplice la hoja de la segueta a la hendidura, y corte la tapa de orificio de tubo a lo largo de la superficie interna irregular.

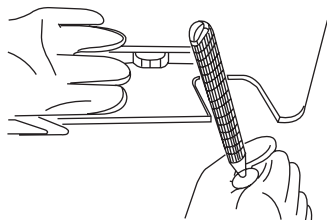


2) Después de cortar la tapa de orificio de tubo, realice la limadura.

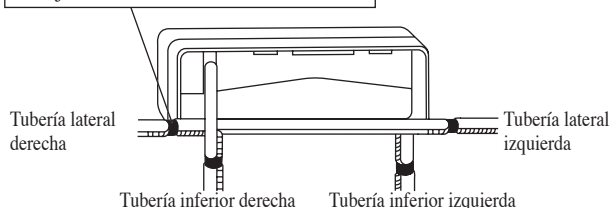
Remueva las rebabas a lo largo de la sección cortada usando una lima de aguja semiredonda.

3) Envuelva el cable entre unidades, tubos refrigerantes y la manguera de drenaje con cinta aisladora.

Luego, inserte la manguera de drenaje y los tubos refrigerantes en el orificio de pared después de insertarlos dentro del orificio abierto de la tubería cortada.



Ate el tubo refrigerante y la manguera de drenaje con cinta de vinilo adhesivo



NOTA

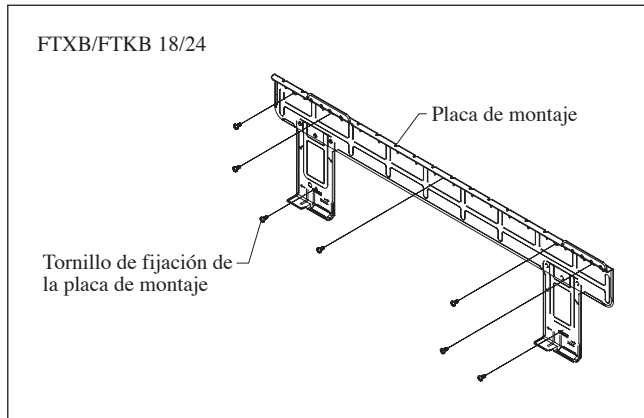
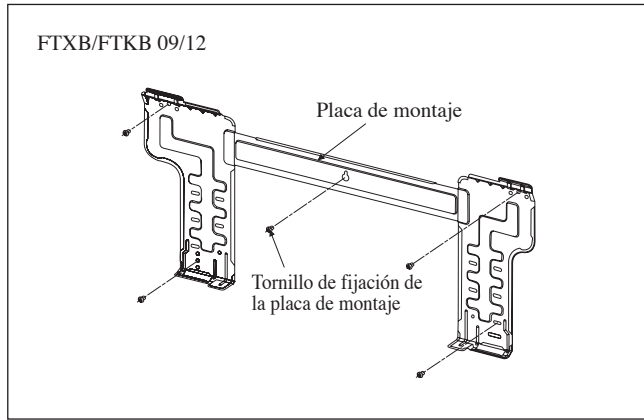
- Asegúrese de no dejar que entren virutas en la sección de comunicación del brazo.
- Asegúrese de no poner presión en el panel frontal inferior.

Montaje De La Placa De Instalación

Verificar que la pared es lo suficientemente sólida como para soportar el peso de la unidad. Si no es así, se debe reforzar la pared con placas, vigas o pilares.

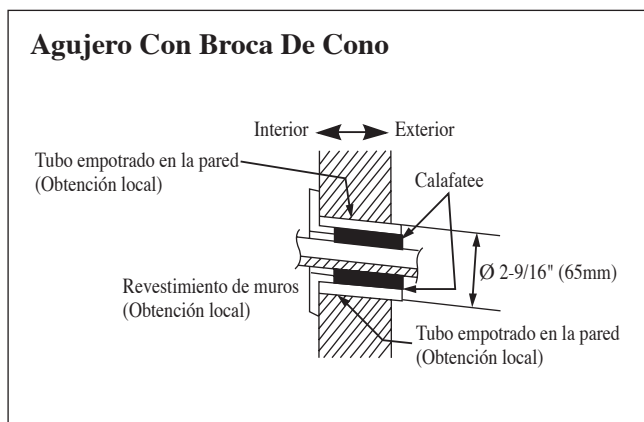
Utilice el calibrador de nivel para el montaje horizontal y fije con 5 tornillos adecuados para FTXB/FTKB 09/12 y 7 tornillos adecuados para FTXB/FTKB 18/24.

En caso de retracción de la tubería trasera, perforar un agujero de 2-9/16" (65mm) de diámetro con una broca cónica, ligeramente más bajo en la pared externa (véase la figura).



Taladrado de un orificio en la pared e instalación de una tubería empotrada en la pared

Agujero Con Broca De Cono



Montar La Unidad En La Placa De Instalación

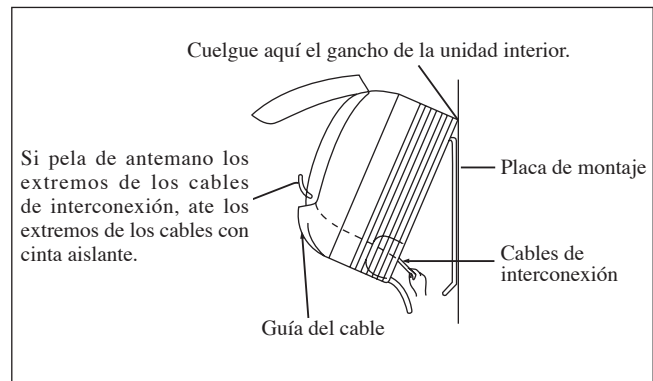
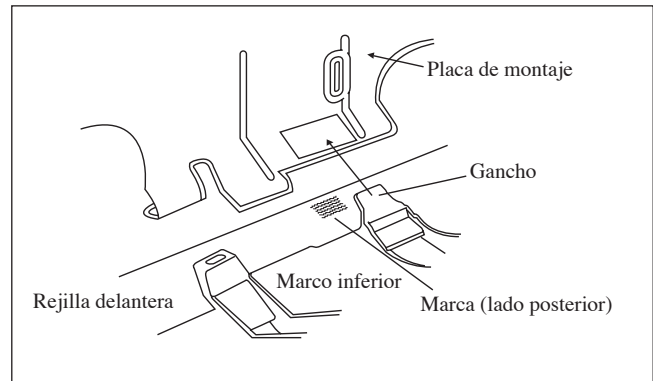
Enganchar la unidad de interior en la porción superior de la placa de instalación (Enganchar los 2 ganchos de la parte trasera superior en el borde superior de la placa de instalación). Para asegurar que los ganchos se encuentren adecuadamente instalados en la bandeja de instalación, intente moverlos ligeramente hacia la izquierda o la derecha.

Cómo Colocar La Unidad Interior

Enganche las abrazaderas del cuadro inferior en la placa de instalación.

Cómo Retirar La Unidad Interior

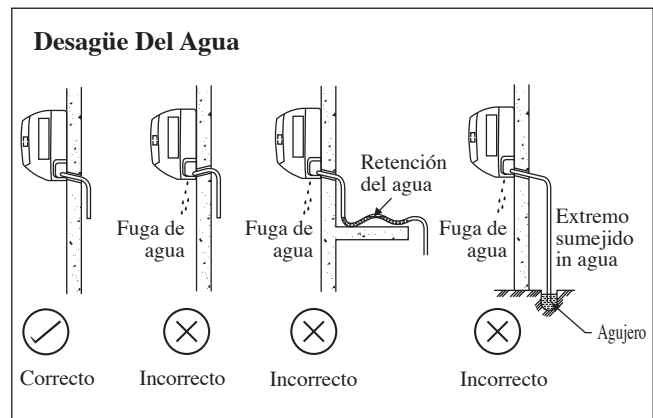
Empuje la zona marcada (en la parte inferior de la rejilla frontal) para soltar los ganchos.



Tubería De Desagüe De Agua

La tubería de desagüe de interior debe tener una pendiente descendente para lograr un vaciado uniforme. Evite situaciones que puedan causar escapes de agua.

Desagüe Del Agua



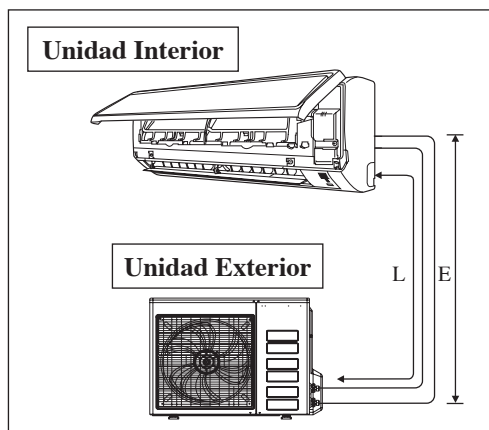
⚠ PRECAUCIÓN

- No instale la unidad a una altura superior a 6560ft (2000m) para el interior y exterior.

TUBERÍA DE REFRIGERANTE

Longitud de tubería permitida

Si la tubería es demasiado larga, tanto la capacidad como la fiabilidad de la unidad disminuirán. Cuando reduzca el número de pliegues, la resistencia a la circulación del sistema de refrigerante aumentará, reduciendo por lo tanto la capacidad de refrigeración. Como resultado, el compresor podría volverse defectuoso. Escoger siempre el trayecto más corto y atenerse a las indicación provistas en la siguiente tabla:




Modelo	Interior (FTXB/FTKB)	09	12	18	24
	Exterior (RXB/RKB)	09	12	18	24
Largo mín. admisible (L), ft/(m)		9,84' (3)		9,84' (3)	
Largo máx. admisible (L), ft/(m)		65,6' (20)		98,4' (30)	
Elevación Máxima Permitida (E), ft/(m)		32,8' (10)		32,8' (10)	
Tamaño de la tubería de gas, pulgada/(mm)		3/8" (9,52)		1/2" (12,70)	5/8" (15,88)
Tamaño de la tubería de líquido, pulgada/(mm)		1/4" (6,35)		1/4" (6,35)	

*Asegúrese de añadir la cantidad apropiada de refrigerante adicional. De lo contrario, podría disminuir el rendimiento.

Observación: El refrigerante precargado en la unidad de exterior está previsto para una longitud de tubería de 25ft (7,6m).

Longitud equivalente para el montaje diferentes [Pies (metros)]

Tamaño de la Tubería	L conjunta 
3/8" (OD9,52mm)	0,59' (0,18)
1/2" (OD12,7mm)	0,66' (0,20)
5/8" (OD15,9mm)	0,82' (0,25)
3/4" (OD19,1mm)	1,15' (0,35)
7/8" (OD22,2mm)	1,31' (0,40)
1" (OD25,4mm)	1,48' (0,45)
1 1/8" (OD28,6mm)	1,64' (0,50)
1 3/8" (OD34,9mm)	1,97' (0,60)

Notas:

1. Longitud de tubería equivalente se obtiene con la longitud real de la tubería de gas.
2. 90° curvatura de la tubería es equivalente a L conjunta.

Las tuberías se deben doblar cuidadosamente a fin de no aplastarlas. Usar un doblador de tubos cuando sea posible.

TUBERÍA DE REFRIGERANTE

Instalación De Tuberías y Tecnica De Abocinamiento

- No use tuberías de cobre dañadas o contaminadas. Si se ha expuesto alguna tubería, evaporador o condensador o ha estado abierto durante 15 segundos o más, el sistema ha de aspirarse. En general, no se deben retirar los tapones de plástico y caucho, las tuercas de latón de las válvulas, accesorios, tuberías y serpentines hasta que se esté listo para conectar las líneas de succión o de líquido a las válvulas o accesorios.
- Si fuese necesario efectuar alguna soldadura, asegúrese de hacer circular el gas nitrógeno por el serpentín y las juntas durante la realización de la soldadura. Esto evitará la formación de hollín en las paredes interiores de las tuberías de cobre.
- Corte el tubo progresivamente, avanzando lentamente la cuchilla del cortador de tubos. Un exceso de fuerza y un corte profundo producirían una mayor deformación de la tubería y, por lo tanto, más rebabas. Véase la Figura I.
- Retire las rebabas de los bordes cortados de las tuberías con un extractor. Véase la Figura II. Sujete el tubo por su parte superior y la herramienta quitarrebabas en la posición inferior para evitar que las virutas metálicas se introduzcan en el tubo. Así evitará una irregularidad en las caras abocinadas que resultaría en una fuga de gas.
- Inserte las tuercas abocinadas, montadas sobre las partes de la conexión tanto de la unidad de interior como de la unidad de exterior, en las tuberías de cobre.
- La longitud exacta de la tubería que sobresale de la cara de la matriz de abocinamiento se determina mediante una herramienta de abocinamiento. Véase la Figura III.
- Fije la tubería firmemente sobre el bloque de estampar. Alinee los centros del bloque de estampar y del punzón de abocinamiento, y apriete entonces el punzón de abocinamiento completamente.
- La conexión de tubería de refrigerante están aisladas por poliuretano de celda cerrada.

Conexión De Las Tuberías A Las Unidades

- Alinee el centro de la tubería y apriete suficientemente la tuerca abocinada con los dedos. Véase la Figura IV.
- Finalmente, apriete la tuerca abocinada con la llave dinamométrica hasta que la llave haga "clac".
- Al apretar la tuerca abocinada con la llave dinamométrica, asegúrese de que aprieta en el sentido indicado por la flecha de la llave.
- La conexión de tubería de refrigerante están aisladas por poliuretano de celda cerrada.

Tamaño de la Tubería, pulgada/(mm)	Par, ft-lb (Nm)
1/4" (6,35)	13,3 (18)
3/8" (9,52)	31,0 (42)
1/2" (12,70)	40,6 (55)
5/8" (15,88)	48,0 (65)
3/4" (19,05)	57,6 (78)

Figura I

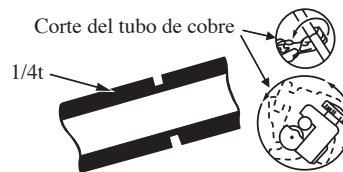


Figura II

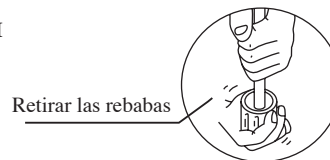
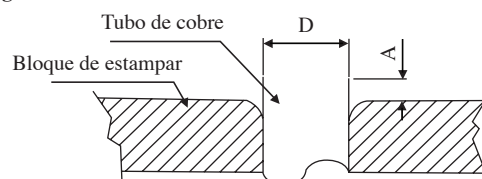
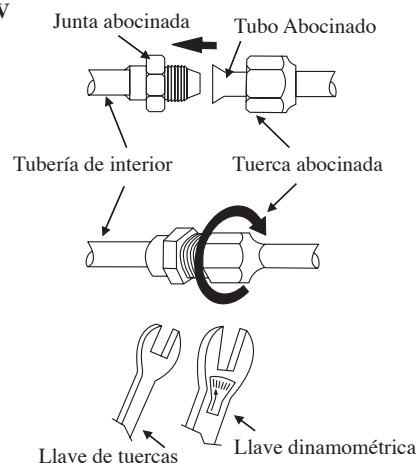


Figura III



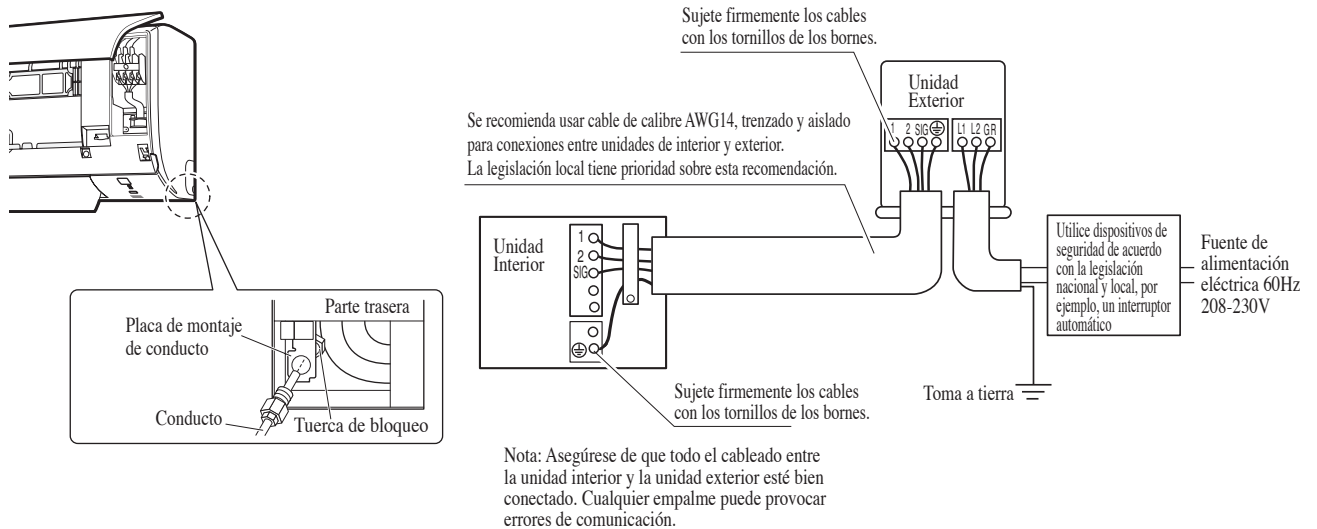
Ø Tubo, D		A (Pulgada/mm)	
Pulgada	mm	Imperial (Tipo tuerca de mariposa)	Rigido (Tipo de acoplamiento)
1/4"	6,35	0,051" (1,3)	0,028" (0,7)
3/8"	9,52	0,063" (1,6)	0,039" (1,0)
1/2"	12,70	0,075" (1,9)	0,051" (1,3)
5/8"	15,88	0,087" (2,2)	0,067" (1,7)
3/4"	19,05	0,098" (2,5)	0,079" (2,0)

Figura IV



CONEXIÓN DEL CABLEADO ELÉCTRICO

IMPORTANTE : * Los valores mostrados arriba se dan a título informativo únicamente. Estos deben ser verificados y seleccionados a fin de que cumplan con los códigos y reglamentos locales y/o nacionales. También están sujetos al tipo de instalación y al tamaño de los conductores.
 ** Compruebe el voltaje adecuado en la etiqueta de características del aparato.

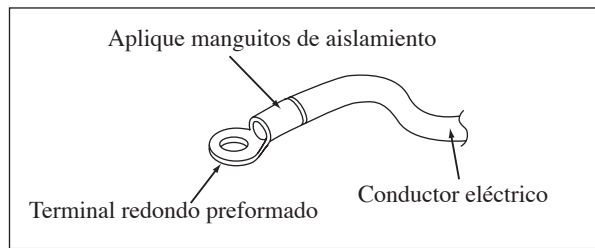


⚠ PRECAUCIÓN

- En caso de fallar un fusible, se requiere la sustitución de toda la PCB.

RXB09/12*, RKB09/12*	15A
RXB18/24*, RKB18/24*	20A

- Todos los alambres deben estar conectados firmemente.
- Asegúrese de que ningún cable toque las tuberías de refrigeración, el compresor ni las piezas en movimiento.
- Asegúrese de no aplicar presión externa a los conectores y cables del borne.
- Asegúrese de que todas las cubiertas se fijen correctamente para evitar cualquier espacio.
- Utilice terminales preformados para conectar los cables a la regleta de bornes. Conecte los cables siguiendo las indicaciones en la regleta de bornes. (Consulte el diagrama de conexiones colocado en la unidad).



- Utilice el destornillador adecuado para ajustar los tornillos de los bornes. Los destornilladores incorrectos pueden dañar la cabeza del tornillo.
- Si se ajusta demasiado se pueden dañar los tornillos del borne.
- No conecte cables de diferente calibre al mismo borne.
- Mantenga el cableado ordenado. Evite que el cableado obstruya otras piezas y la cubierta de la caja de bornes.



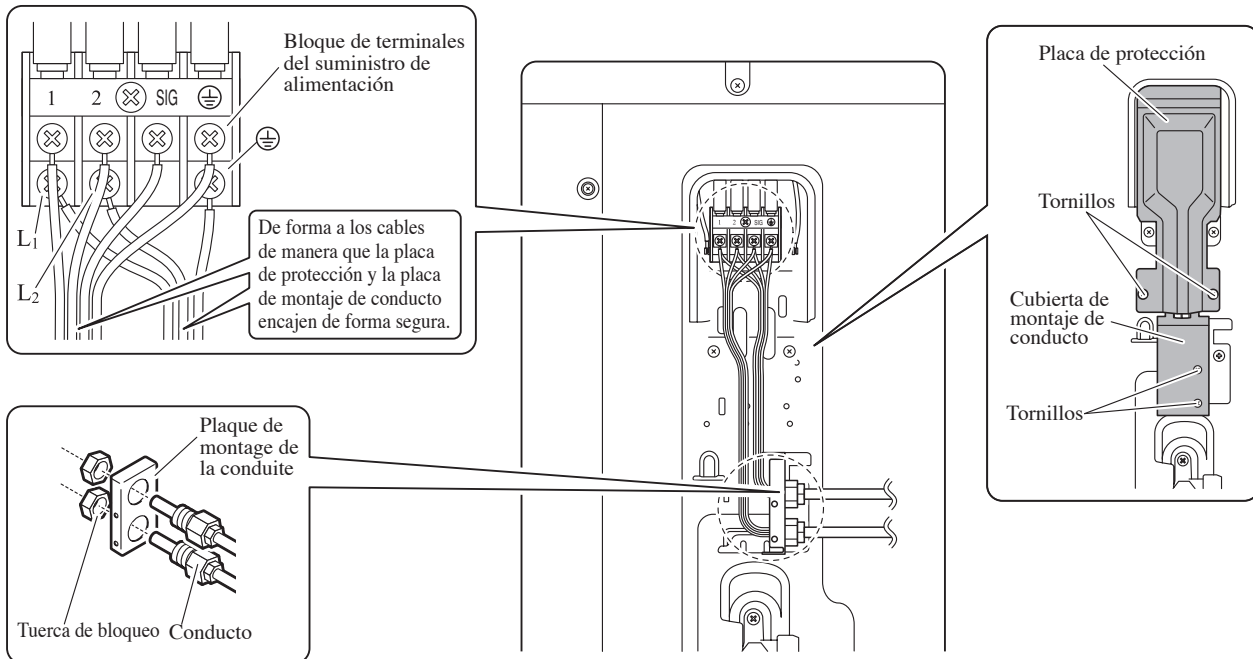
Español

CONEXIÓN DEL CABLEADO ELÉCTRICO

Clase 09/12

[Método de montaje de conducto]

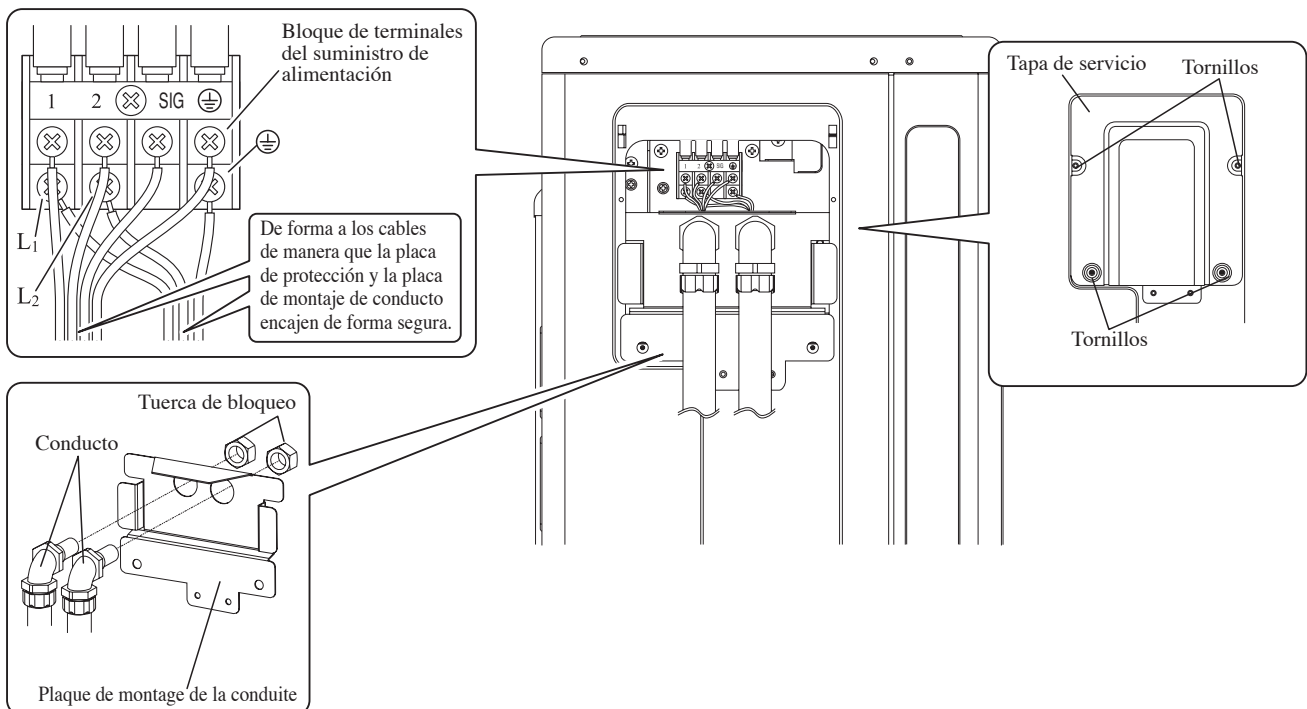
- Se fija una placa de protección que separa la sección de alta tensión.
- 1) Desmonte la cubierta de la válvula de interrupción, retirando para ello el tornillo.
- 2) Desmonte la placa de protección, retirando para ello los dos tornillos.
- 3) Desmonte la cubierta de montaje de conducto, retirando para ello los dos tornillos.
- 4) Encamine los cables por el conducto y asegúrelos con una tuerca de bloqueo.
- 5) Tras completar el trabajo, instale de nuevo la cubierta de la válvula de interrupción, la cubierta de montaje de conducto y la placa de protección en sus posiciones originales.



Clase 18/24

[Método del conducto de montaje]

- 1) Desmonte la tapa de servicio, retirando para ello los tornillos.
- 2) Encamine los cables por el conducto y asegúrelos con una tuerca de bloqueo.
- 3) Tras completar el trabajo, instale de nuevo la tapa de servicio en su posición original.



PRECAUCIONES ESPECIALES AL OCUPARSE DE LA UNIDAD DE R410A

R410A es un refrigerante nuevo de HFC que no daña la capa de ozono. La presión de funcionamiento de este refrigerante nuevo es 1,6 veces más alta que el refrigerante convencional (R22), o sea que es esencial una instalación/servicio apropiado.

- Nunca refrigerante del uso con excepción de R410A en un acondicionador de aire que se diseña para funcionar con R410A.
- El aceite de POE o PVE se utiliza como lubricante para el compresor de R410A, que es diferente del aceite mineral usado para el compresor R22. Durante la instalación o el mantenimiento, la precaución adicional se debe tomar para no exponer el sistema de R410A demasiado largo al aire húmedo. El aceite residual de POE o PVE en la tubería y los componentes pueden absorber la humedad del aire.
- Evitar mischarging, el diámetro del puerto del servicio en la válvula de la llamarada es diferente de el de R22.

- Utilice las herramientas y los materiales exclusivamente para el refrigerante R410A. Las herramientas para R410A son exclusivamente válvula múltiple, manguera de carga, manómetro de presión, detector del escape del gas, herramientas de la llamarada, llave de esfuerzo de torsión, bomba de vacío y cilindro del refrigerante.
- Pues un acondicionador de aire de R410A incurre en una presión más alta que las unidades R22, es esencial elegir las pipas de cobre correctamente.
- Si el gas del refrigerante se escapó durante la instalación/ servicing, sea seguro ventilar completamente. Si el gas refrigerante viene en contacto con el fuego, un gas venenoso puede ocurrir.
- Al instalar o quitando un acondicionador de aire, no permita que el aire o la humedad permanezca en el ciclo refrigerante.

ASPIRACIÓN Y CARGA

La aspiración es necesaria para eliminar toda la humedad y aire del sistema.

Purga de la tubería y la unidad interior

Excepto para la unidad exterior que es precargada con refrigerante, la unidad de interior y los tubos de conexión refrigerantes deben ser purgados de aire porque el aire que contiene la humedad que permanece en el ciclo refrigerante puede hacer funcionar mal al compresor.

- Retirar las tapas de la válvula y del agujero de servicio.
- Conecte el centro del calibrador de carga a la bomba de vacío.
- Conecte el calibrador de carga al orificio de servicio de la válvula de 3 vías.
- Arranque la bomba de vacío. Evacúe aproximadamente durante 30 minutos. El tiempo de evacuación varía según la capacidad de la bomba de vacío. Asegúrese de que la aguja del calibrador de carga se ha movido hacia -14,7psi (-760mmHg).

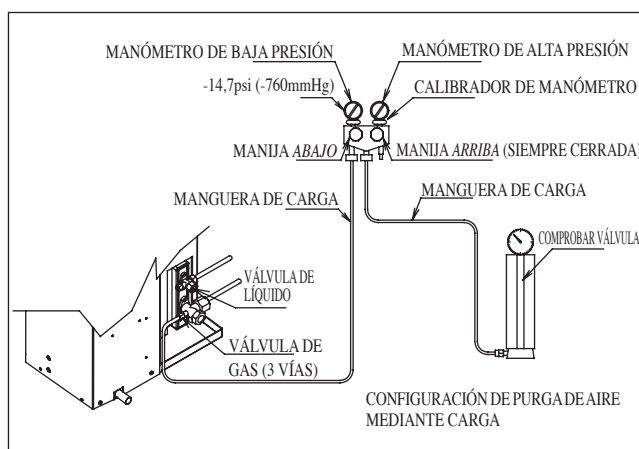
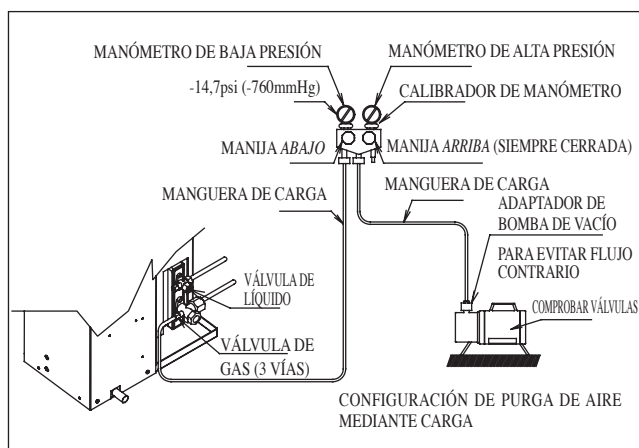
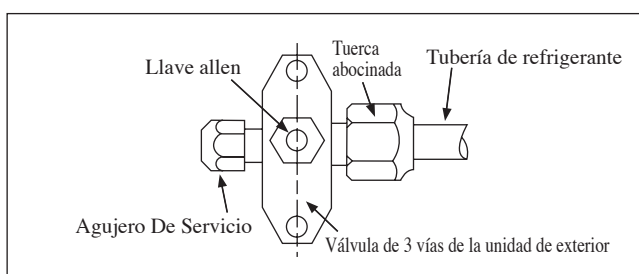
Precaución

- Si la aguja del indicador no se mueve a -14,7psi (-760mmHg), asegúrate de revisar que no haya fugas en la conexión tipo llamarada de la unidad interior y al aire libre y repare la fuga antes de proceder con el siguiente paso.
- Cierre la válvula del calibrador de cambio y pare la bomba de vacío.
- En la unidad exterior, abra la válvula de succión (3 vías) y la válvula líquida (2 vías) (en la dirección contraria a las agujas del reloj) con una llave de 5/32" (4mm) para tornillos hexagonales.

Operación De Carga

Esta operación se debe realizar usando un cilindro de gas y una máquina de pesaje obligatoriamente. La carga adicional se introduce en la unidad de exterior por la válvula de aspiración a través del agujero de servicio.

- Retirar el tapón del agujero de servicio.
- Conectar el lado de presión baja del calibrador de carga al centro del agujero de servicio de succión del depósito del cilindro y cierre el lado de alta presión del calibrador. Purgue el aire de la manguera de servicio.
- Poner en marcha la unidad de aire acondicionado.
- Abrir la válvula del cilindro de gas y la de cierre de baja presión.
- Cuando se haya bombeado la unidad con la cantidad de refrigerante requerida, cerrar la válvula de baja presión y del cilindro de gas.
- Desconectar la manguera de servicio del agujero de servicio. Volver a colocar la tapa del agujero de servicio.



CARGA ADICIONAL

El refrigerante está precargado en la unidad de exterior. Si la longitud de la tubería es inferior a 25ft (7,6m), no es necesaria una carga adicional después de la aspiración. Si la longitud de la tubería tiene más de 25ft (7,6m) utilice un valor de carga adicional como se indica en la tabla.

La carga de refrigerante adicional [oz (g)] por longitud adicional de 3.28ft (1m) como en la tabla

Modelo	Interior (FTXB/FTKB)	09	12	18	24
	Exterior (RXB/RKB)	09	12	18	24
Carga Adicional [oz/ft (g/m)]		0,21 (20)	0,21 (20)	0,21 (20)	0,21 (20)

Ejemplo:

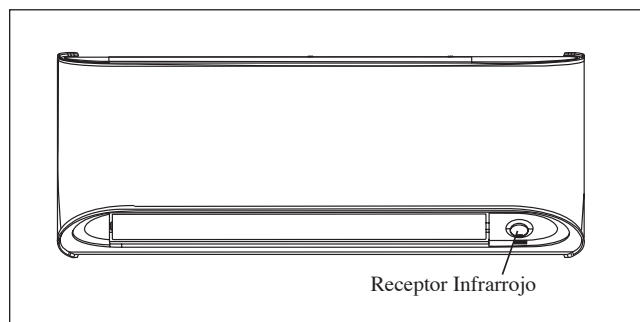
FTXB09 & RXB09 con una longitud de tubería de 39,4ft (12m) la longitud de tubería adicional es de 14,4ft (4,4m).
 Por lo Tanto, Carga Adicional = 14,4ft (4,4m) x 0,21 oz/ft [20g/m]
 = 3,024oz [88,0g]

LUZ INDICADORA

Receptor De Señal IR (infrarroja)

Cuando se transmite una señal de uso a través del control remoto por infrarrojos, el receptor de señales de la unidad interior responderá como abajo para confirmar la aceptación de la transmisión de la señal.

ACTIVADO o DESACTIVADO	1 pitido largo
DESACTIVADO o ACTIVADO Vaciado por bombeo/ Fuerza de refrigeración activada	2 pitido corto
Otros	1 pitido corto



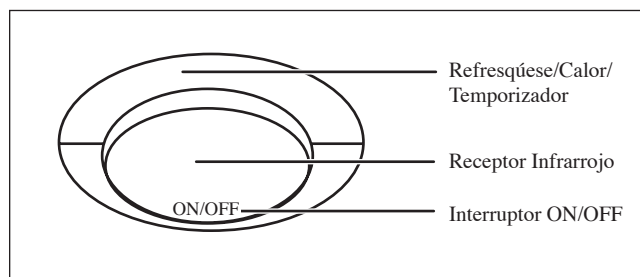
Unidad De Enfriamiento/Unidad De Bomba De Calor

La tabla que se muestra a continuación contiene las luces indicadoras LED para el funcionamiento normal y la condición de falla de la unidad de aire acondicionado.

Las luces de indicador del LED están situadas en el centro de la unidad del acondicionador de aire.

Las unidad de calentamiento cuenta con un modo "auto", mediante el cual la unidad podrá proporcionar temperatura de habitación moderada, simplemente con encender automáticamente en posición "cool" (frío) o "heat" (calor), de acuerdo a la temperatura seleccionada por el usuario.

Luces Indicadoras LED De funcionamiento Para La Unidad De Enfriamiento/Unidad De Bomba De Calor



Luces Indicadoras LED : Condiciones De Operación Normales Y Condiciones De Operación Defectuosas De La Unidad De Enfriamiento/Unidad De Calentamiento

 REFRESQUÉSE/CALOR/TEMPORIZADOR (AZUL/ROJO/VIOLETA)	Operación
○ AZUL	Modo de enfriamiento
○ ROJO	Modo de calentamiento
○ ROJO	Modo automático en funcionamiento como calentador
○ AZUL	Modo automático en funcionamiento como enfriador
○ VIOLETA	Programador de tiempo prendido on
○ AZUL	Modo ventilador on
○ AZUL	Modo deshumidificador on
● ROJO	Operación de descongelación
● AZUL	Error de la unidad

○ ENCENDIDO

● Parpadeante

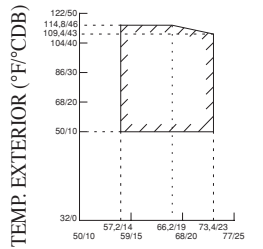
MARGEN DE OPERACIÓN

Modelo de solo refrigeración

Modelo: FTKB 09/12

RKB 09/12

REFRIGERACIÓN



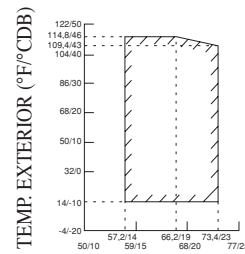
TEMP. INTERIOR (°F/°CWB)

DB: Ampolla seca

Model: FTKB 18/24

RKB 18/24

REFRIGERACIÓN



TEMP. INTERIOR (°F/°CWB)

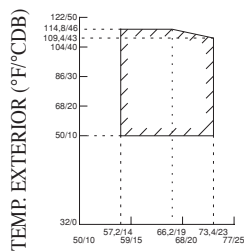
WB: Ampolla húmeda

Modelo bomba de calor

Modelo: FTXB 09/12

RXB 09/12

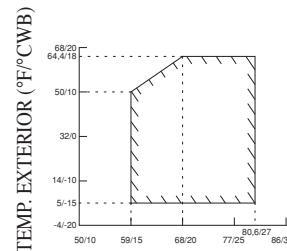
REFRIGERACIÓN



TEMP. INTERIOR (°F/°CWB)

DB: Ampolla seca

CALEFACCIÓN



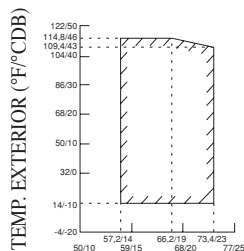
TEMP. INTERIOR (°F/°CDB)

WB: Ampolla húmeda

Modelo: FTXB 18/24

RXB 18/24

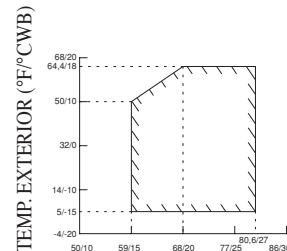
REFRIGERACIÓN



TEMP. INTERIOR (°F/°CWB)

DB: Ampolla seca

CALEFACCIÓN



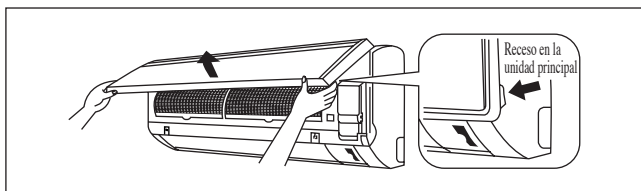
TEMP. INTERIOR (°F/°CDB)

WB: Ampolla húmeda

FILTROS DEL AIRE

1. Abra el panel frontal.

- Sostenga el panel en los recesos de la unidad principal (2 recesos a los lados derecho e izquierdo) y levántelo hasta que se detenga.



2. Extraiga los filtros de aire.

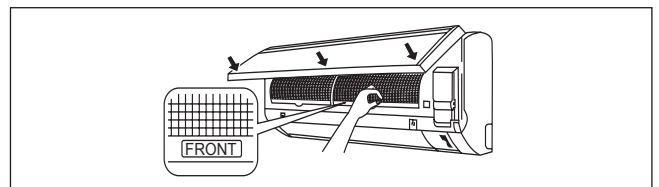
- Empuje un poco hacia arriba la pestaña del centro de cada filtro de aire, luego hacia abajo.

3. Limpie o cambie los filtros.

- Al sacudir el agua restante, no exprima el filtro.

4. Ajuste el filtro de aire y cerrar el panel frontal.

- Inserte los ganchos de los filtros en las ranuras del panel frontal. Cierre lentamente el panel frontal y presiónelo por los 3 puntos. (uno en cada extremo y otro en el centro.)
- El filtro de aire tiene forma simétrica en dirección horizontal.



REPARACIONES Y MANTENIMIENTO

Componentes	Procedimientos Para Su Mantenimiento	Precuencia
Filtro de aire (unidad de interior)	<ol style="list-style-type: none"> 1. Elimine el polvo adherido al filtro mediante una aspiradora o lavándolo en agua templada (a menos de 40°C/104°F) con un jabón neutro. 2. Enjuague y seque bien el filtro antes de volverlo a colocar en la unidad. 3. No use gasolina, sustancias volátiles ni productos químicos para limpiar el filtro. 	Por lo menos una vez cada 2 semanas. Más frecuentemente si es necesario.
Unidad interior	<ol style="list-style-type: none"> 1. Limpie cualquier suciedad o polvo de la rejilla o el panel con un trapo suave empapado de agua tibia (a menos de 40°C/104°F) con una solución detergente neutra. 2. No use gasolina, sustancias volátiles ni productos químicos para limpiar la unidad de interior. 	Por lo menos una vez cada 2 semanas. Más frecuentemente si es necesario.

⚠ PRECAUCIÓN

- Evite el contacto directo de cualquier limpiador de tratamiento de serpentín en la parte plástica. Esto podría provocar deformaciones en la parte plástica como resultado de una reacción química.

1. Abra el panel frontal.

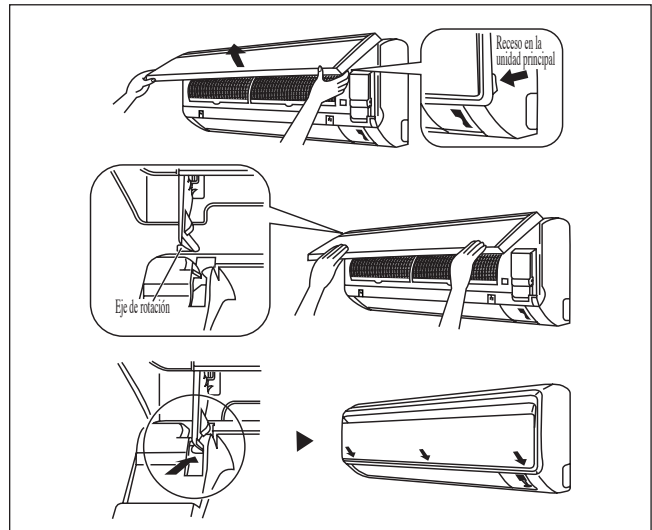
- Sostenga el panel en los recesos de la unidad principal (2 recesos a los lados derecho e izquierdo) y levántelo hasta que se detenga.

2. Remueva el panel frontal.

- Mientras levanta el panel frontal más, deslícelo a la derecha y tírelo al lado frontal. Se desprende el eje de rotación izquierdo. Deslice el eje de rotación derecho a la izquierda y tírelo al lado frontal para removerlo.

3. Instale el panel frontal.

- Alinee los ejes de rotación derecho e izquierdo del panel frontal con las ranuras y empújelos completamente hacia adentro.
- Cierre gentilmente el panel frontal. (Pulse ambos extremos y el centro del panel frontal.)

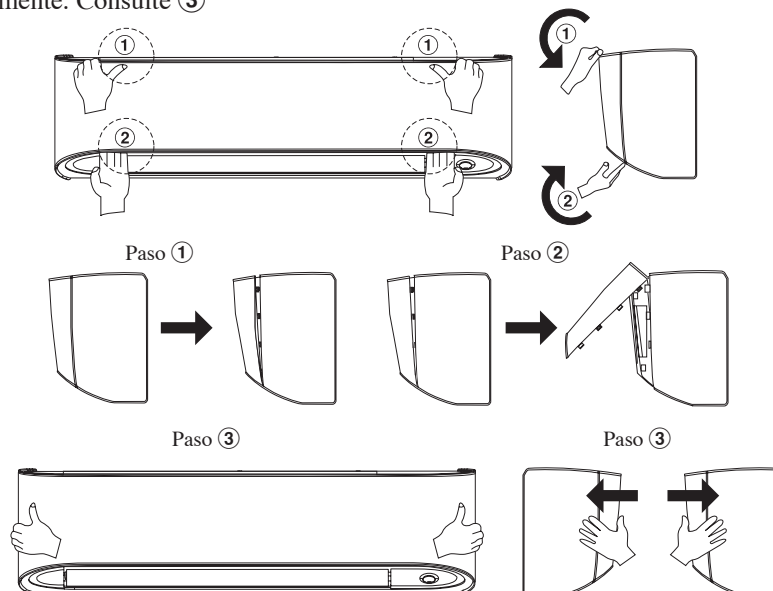


Secuencia de apertura y cierre de panel frontal

Para abrir el panel frontal

- 1) Eleve las dos puntas del panel frontal ① hasta que se pare en la posición prefijada.
- 2) Eleve las dos puntas del panel frontal ② para abrirlo y acceder a las partes interiores.

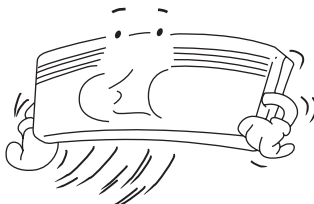

Para cerrar el panel frontal, invierta los pasos de la secuencia de apertura. Ranura en las costillas (4 nervaduras en cada lado, total de 8 nervaduras), cuidadosamente a ambos lados derecho e izquierdo. A continuación, presione el panel hacia delante hasta que se cierre firmemente. Consulte ③



⚠ PRECAUCIÓN

- No toque las partes de metal de la unidad interior. Podría causarle lesiones.
- Cuando extraiga o coloque el panel frontal, sujételo firmemente con la mano para evitar que se caiga.
- Para la limpieza, no utilice agua caliente con temperatura superior a los 104°F (40°C), bencina, nafta, diluyente u otros aceites volátiles, compuesto para pulir, cepillos, ni material duro.
- Después limpiarlo, asegúrese de que el panel frontal esté bien fijado.

Cuando No Se Va A Usar La Unidad Por Un Tiempo Prolongado

<p>Opera la unidad durante 2 horas con el siguiente programa.</p> <p>Modo de funcionamiento : frío Temperatura : 30°C/86°F</p>		<p>Retirar al clavija de alimentación.</p> <p>Si se usa un circuito eléctrico independiente para su unidad, cortar el circuito.</p> <p>Retirar las baterías del control remoto.</p>	
--	---	---	---

LOCALIZACIÓN DE AVERIAS

Para consultas sobre piezas de recambio, póngase en contacto con un distribuidor autorizado. Cuando detecte alguna anomalía en el funcionamiento de la unidad de aire acondicionado, desconéctela inmediatamente de la fuente de alimentación eléctrica. Compruebe las siguientes condiciones o causas de fallo como consejos de resolución de problemas.

Falla	Causa/Acción
1. El compresor no empieza a funcionar 3 minutos después de haber puesto en marcha la unidad de aire acondicionado.	– Protección contra los arranques frecuentes. Espere 3 ó 4 minutos hasta que el compresor comience a fun.
2. La unidad de aire acondicionado no funciona.	– Falta de alimentación o se debe reemplazar el fusible. – La clavija de alimentación está desconectada. – Es posible que no haya ajustado correctamente el temporizador de retardo. – Si el fallo sigue después de estas verificaciones, contacte con el instalador de la unidad de aire acondicionado.
3. El flujo de aire es demasiado bajo.	– El filtro de aire está sucio. – Las puertas y las ventanas están abiertas. – La entrada y salida del aire están obstruidas. – La temperatura elegida en el ajuste no es lo suficientemente alta.
4. El flujo de aire de descarga huele mal.	– Estos olores se pueden deber a particulares de humo de cigarrillo, perfume, sudor, etc. que se hayan adherido al serpentín.
5. Condensación en la rejilla de aire frontal-unidad de interior.	– Esto se debe a la humedad del aire, después de un tiempo de funcionamiento prolongado. – La temperatura elegida en el ajuste es demasiado baja. Aumente la temperatura elegida y empeece la unidad con el ventilador a alta velocidad.
6. Sale agua de la unidad de aire acondicionado.	– Apague la unidad y llame al vendedor local.

Si la averia persiste, póngase en contacto con el técnico o vendedor local.

EL MEMORÁNDUM

- In the event that there is any conflict in the interpretation of this manual and any translation of the same in any language, the English version of this manual shall prevail.
- The manufacturer reserves the right to revise any of the specification and design contain herein at any time without prior notification.
- All images are for illustration purpose only.
- En cas de désaccord sur l'interprétation de ce manuel ou une de ses traductions, la version anglaise fera autorité.
- Le fabricant se réserve le droit de modifier à tout moment et sans préavis la conception et les caractéristiques techniques des appareils présentés dans ce manuel.
- Toutes les images servent d'illustration uniquement.
- En caso de conflicto en la interpretación de este manual, y en su traducción a cualquier idioma, prevalecerá la versión inglesa.
- El fabricante se reserva el derecho a modificar cualquiera de las especificaciones y diseños contenidos en el presente manual en cualquier momento y sin notificación previa.
- Todas las imágenes son únicamente ilustrativas.

DAIKIN MALAYSIA SDN. BHD.

Lot 60334, Persiaran Bukit Rahman Putra 3,
Taman Perindustrian Bukit Rahman Putra,
47000 Sungai Buloh, Selangor Darul Ehsan,
Malaysia.

DAIKIN INDUSTRIES, LTD.

Head office:
Umeda Center Bldg., 2-4-12, Nakazaki-Nishi,
Kita-ku, Osaka, 530-8323 Japan

Tokyo office:
JR Shinagawa East Bldg., 2-18-1, Konan,
Minato-ku, Tokyo, 108-0075 Japan
<http://www.daikin.com/global/>

