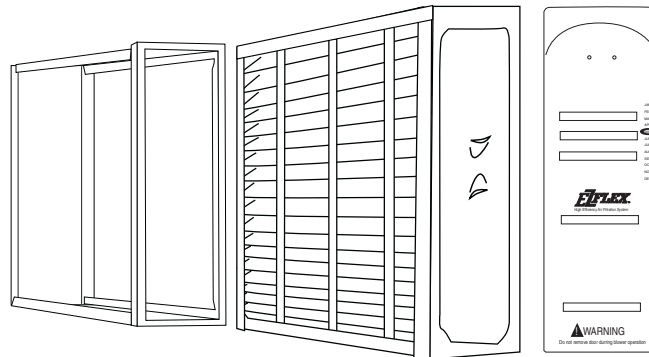


EZXCAB High Efficiency Air Filtration System

Sizes: 016 & 020

Manual for: Installation, Operation & Maintenance



C04001

Fig. 1—EZXCAB High Efficiency Air Filtration System

Manual for: Installation, Operation & Maintenance


NOTE: Read the entire instruction manual before starting the installation.

This symbol → indicates a change since the last issue.

SAFETY CONSIDERATIONS

Installing and servicing air conditioning equipment can be hazardous due to system pressures, electrical components, and fuel gases. Only trained and qualified personnel should install, service, or repair air conditioning equipment.

Untrained personnel can perform basic maintenance functions such as cleaning coils, or cleaning and replacing filters. All other operations should be performed by trained service personnel. When working on air conditioning equipment, observe precautions in the literature, on tags, and on labels attached to the unit.

Recognize safety information. This is the safety-alert symbol . When you see this symbol on the unit and in instructions or manuals, be alert to the potential for personal injury.

Understand the signal words **DANGER**, **WARNING**, and **CAUTION**. These words are used with the safety-alert symbol. **DANGER** identifies the most serious hazards which **will** result in severe personal injury or death. **WARNING** signifies a hazard which **could** result in serious injury or death. **CAUTION** is used to identify unsafe practices which **may** result in minor personal injury or product and property damage. **NOTE** is used to highlight suggestions that offer installation tips or which **will** result in enhanced installation, reliability, or operation.

Follow all safety codes. Wear safety glasses and work gloves. Have a fire extinguisher available.

INTRODUCTION

These instructions cover the installation, operation and maintenance of an EZXCAB High Efficiency Air Filtration System (See Fig. 1).

DESCRIPTION AND USAGE

APPLICATION

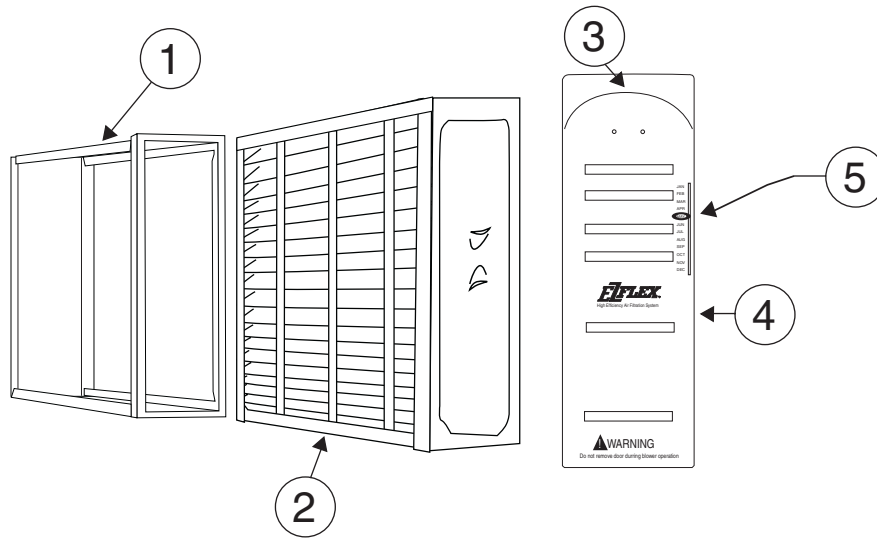
This High Efficiency Air Filtration System must be used in a forced air heating, cooling or ventilation system. This High Efficiency Air Filtration System cleaner should be installed in the system so that all the system air is circulated through this air cleaner. The High Efficiency Air Filtration System cleaner will only remove the airborne contaminants delivered to it. Maximum performance is obtained when the system blower is set for continuous operation.

INSTALLATION REQUIREMENTS

The best location for the High Efficiency Air Filtration System cleaner is in the return air duct next to the blower compartment. In this location, the blower motor and cooling coils will be kept clean. Do not install the air cleaner in the discharge (supply) air duct. Before installing this High Efficiency Air Filtration System cleaner, consider the application. If a transition is required, refer to Fig. 4. The unit must be readily accessible for periodic inspection and replacement of EZ-Flex™ filter to maintain maximum efficiency and trouble-free operation.

SELECT LOCATION FOR THE AIR CLEANER

Select a location that is readily accessible for periodic inspection and cleaning. Allow a minimum of 26 in. in front of the access panel for EZ-Flex™ filter removal and replacement. For complete unit dimensions refer to Fig. 3.



C04004

MODELS 016 & 020	PART DESCRIPTION
1	Cabinet Top
2	EZ Flex Filter Media
3	Access Handle
4	Access Door
5	Filter Change Reminder

Fig. 2—EZXCAB Major Components

DIRECTION OF AIR FLOW THROUGH THIS AIR CLEANER

The High Efficiency Air cleaner is set up for left to right airflow, when facing the access door. For right to left air flow remove EZ-Flex™ filter, turn it around and replace in cabinet. The directional arrows on the filter must point in the direction of air flow.

AIR CONDITIONING

The High Efficiency Air cleaner should be installed upstream of the cooling coil. This will help keep the coil clean and reduce air conditioning coil maintenance. Improved cooling efficiency is the result, which directly affects energy costs. A clean coil will reduce utility costs.

IMPORTANT: Failure to replace EZ-Flex™ filter can cause damage to the cooling system.

TURNING VANES

If the air cleaner is installed adjacent to a 90° duct connection, add turning vanes inside the duct to improve the air distribution across the face of the high efficiency air cleaner (See Fig. 5).

HUMIDIFIERS

Location of the system humidifier is important to the operation of the air cleaner. When an evaporative type humidifier is used, it may be installed between the furnace warm air duct and the return air duct without affecting the air cleaner.

INSTALLATION

⚠ CAUTION: CUT AND ABRASION HAZARD

Failure to follow this caution may result in personal injury.

Sheet Metal parts may have sharp edges or burrs. Use care and wear appropriate protective clothing and gloves when handling these parts.

⚠ WARNING: ELECTRICAL SHOCK HAZARD

Failure to follow this warning could result in personal injury or death.

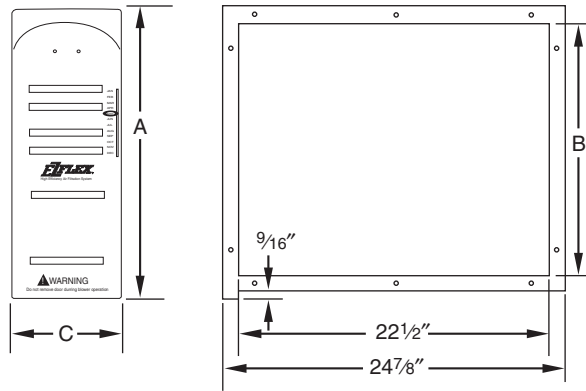
Only a trained, experienced service person should install this air cleaner. A thorough checkout of the unit installation should be completed before unit operation. Before performing installation, service or maintenance operations on unit, turn off all power to unit. TAG DISCONNECT SWITCH WITH LOCKOUT TAG.

This High Efficiency Air cleaner can be mounted in several positions. See Fig. 4 for proper air cleaner mounting with a variety of installation styles.

⚠ CAUTION: UNIT OPERATION AND SAFETY HAZARD

Failure to follow directions in the instructions could damage the product or cause a hazardous condition.

Prior to installing this product you should read these entire instructions and follow all directions.



C04003

MODELS	EZXCAB-016	EZXCAB-020
Airflow (CFM) Range	600–1600	600–2000
Dimension		
A	16–15/16"	20–15/16"
B	13–7/8"	17–7/8"
C	7–1/4"	7–1/4"

Fig. 3—EZXCAB Major Dimensions

TYPICAL PRESSURE DROP			
Air Flow (CFM) Range	Model Number	EZXCAB-016	EZXCAB-020
	Typical Factory Supplied Filter		
	Resistance (in. w.c.)		
600	0.015	0.045	0.025
800	0.020	0.075	0.045
1000	0.030	0.11	0.075
1200	0.035	0.15	0.10
1400	0.045	0.20	0.13
1600	0.055	0.25	0.16
1800	0.062	—	0.20
2000	0.070	—	0.22
2200	—	—	—

Table 1—EZXCAB Typical Pressure Drop

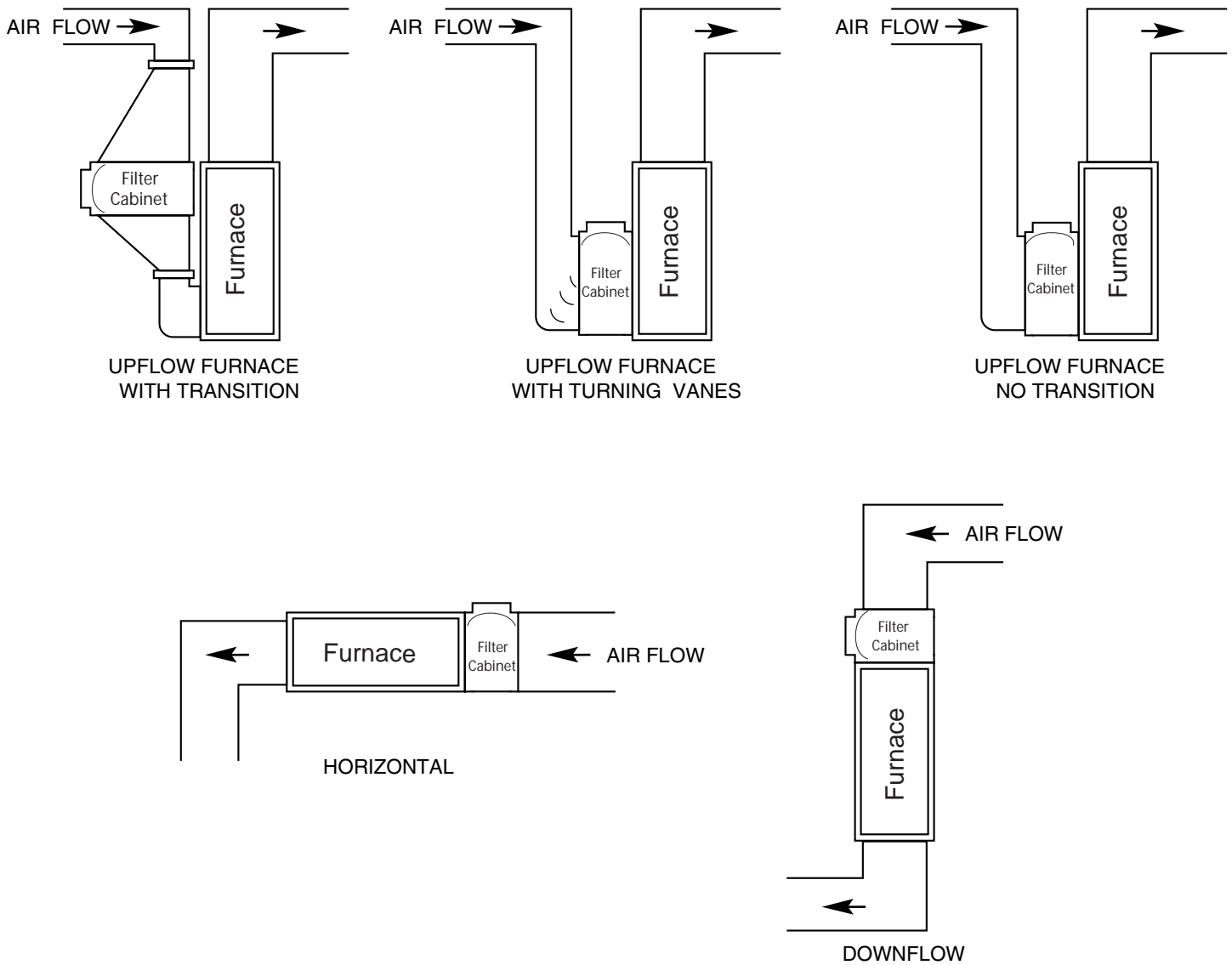
INSTALLATION (Continued)

1. Turn off power disconnect and install lockout tag.
2. Check the rating given on this product to make sure it is suitable for your application.
3. Remove the old furnace filter and discard.

NOTE: The air cleaner cannot remove existing dirt from the blower and ducts.

NOTE: The following is a typical installation of this air cleaner on an upflow furnace. You may have to alter the installation to fit your specific application.

4. Locate the cabinet in the cold air return duct so that all of the return air flows through the unit. If the furnace and air cleaner openings are different, use a transition (See Fig. 5).
5. Mounting holes are provided for simple connection (See Fig. 7) to duct work and unit cabinet. The .140 in. holes are sized for # 8 sheet metal screws, or 1/8 in. rivets. If the adjoining duct work is flanged, install the screws so that the screw heads are inside the cabinet. This will prevent damage to the EZ-Flex™ filter during removal and installation.
6. After the cabinet has been secured, use caulk or tape to seal seams airtight.
7. Remove Filter from box, assemble (See Fig. 8) then place in cabinet.
8. Install access door and ensure a tight seal.



A98179a

Fig. 4—Typical Mounting Positions

MAINTENANCE

HOW TO MAINTAIN YOUR AIR CLEANER

The filter media in your cabinet **MUST** be replaced periodically. The frequency of filter replacement is best determined by visual examination. On average, filters of this type should be replaced every 6–12 months under normal usage.

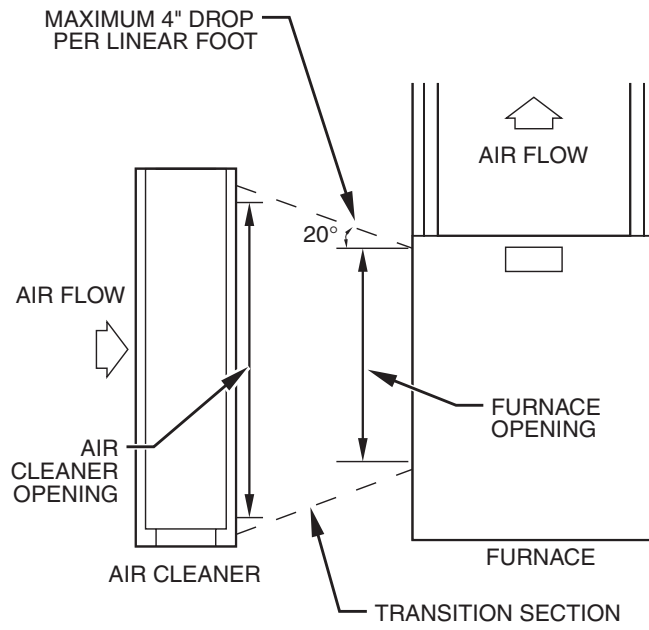
STEPS FOR REPLACING FILTER

1. Turn off power to blower.
2. Open access door by pulling the handle and lifting upward. Remove door completely.
3. Pull used filter straight out of cabinet and disassemble and discard media only.
4. Remove new filter from box and assemble (See Fig. 8).
5. Slide new assembled filter into cabinet with *Air-Flow* arrow pointing in the direction of air flow.
6. Replace access door.

REPLACEMENT FILTERS

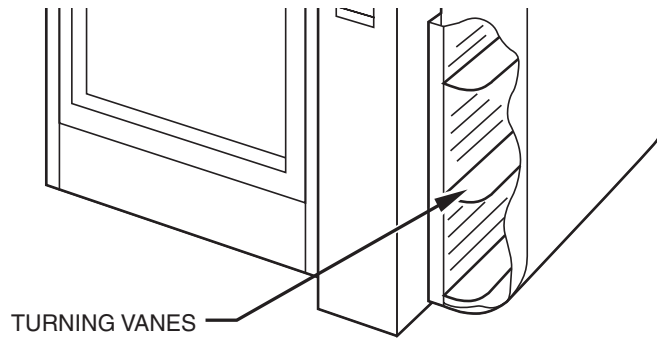
REPLACEMENT EZ-Flex™ FILTERS FOR YOUR HIGH EFFICIENCY AIR FILTRATION SYSTEM

Remember, periodic inspection and annual replacement of your filter will ensure high efficiency air cleaning. Contact your HVAC dealer for replacement EZ-Flex™ Filters (See Table 2).



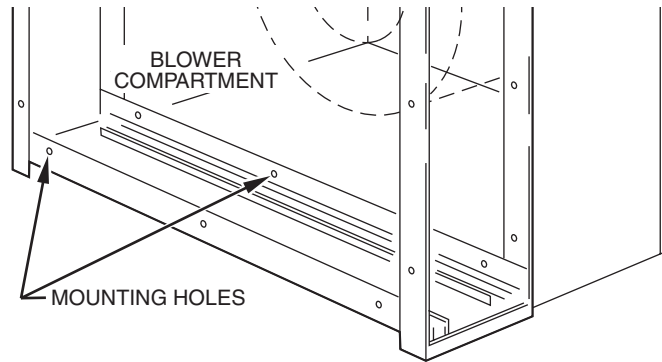
C02037

Fig. 5—Transition Installation



C02038

Fig. 6—Turning Vanes



C02039

Fig. 7—Mounting Holes

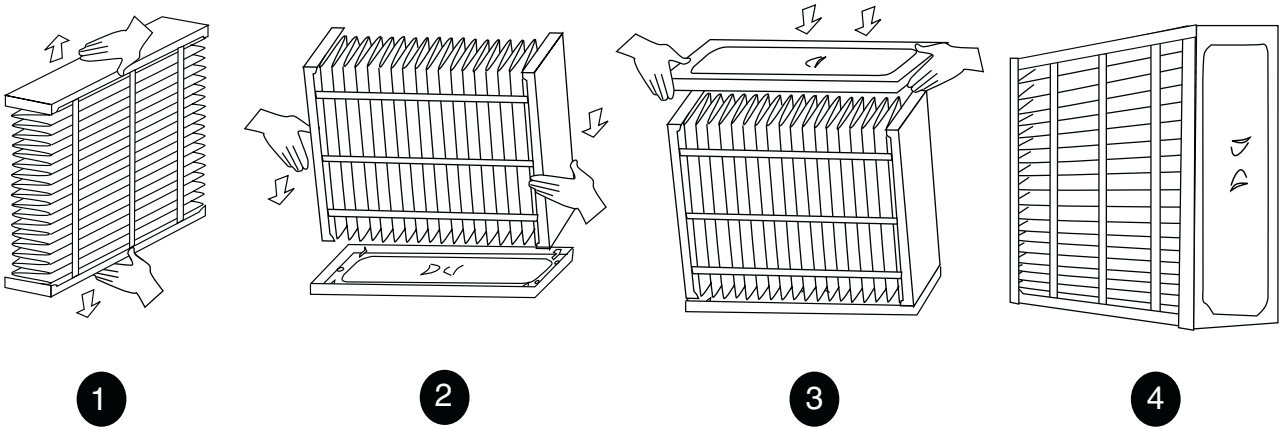


Fig. 8—EZ-Flex™ Filter Assembly

A01397

REPLACEMENT FILTERS		
Order Number	EXPXXFIL0016	EXPXXFIL0020
Quantity per Carton	1	1

Table 2—Replacement Filter Order Number

CAC / BDP

FOR SERVICE OR REPAIR, FOLLOW THESE STEPS IN ORDER:

FIRST: Contact the installer. You may find their name on the product or in your Homeowner's Packet. If the installer's name is not known, call your builder or home retailer if yours is a new residence.

SECOND: Contact the nearest distributor. (See telephone yellow pages.)

THIRD: Contact:

CAC / BDP

Consumer Relations

P.O. Box 4808

Syracuse, New York 13221

Phone: 1-800-227-7437

Model No. _____

Unit Serial No. _____

Date of Installation _____

Installed by _____

Name of Owner _____

Address of Installation _____

EZXCAB Limited Warranty

TEN-YEAR LIMITED CABINET WARRANTY--- CAC / BDP (hereinafter also referred to as "COMPANY") warrants this cabinet/product to be free from defects in material and workmanship. ***The Filter Media is not included in this warranty.*** If a defect is found within ten years from date of original installation of product (whether or not actual use begins on that date) Company will provide a new or remanufactured part, at Company's sole option, to replace any defective part, without charge for the part itself.

THIS WARRANTY DOES NOT INCLUDE LABOR OR OTHER COSTS incurred for diagnosing, repairing, removing, installing, shipping, servicing, or handling of either defective parts or replacement parts.

WARRANTY CONDITIONS:

1. Warranties apply only to products in their original installation location.
2. Installation, use, care, and maintenance must be normal and in accordance with instructions contained in the Owner's Manual and Company's service information.
3. Defective parts must be returned to the distributor through a registered servicing dealer for credit.
4. All work shall be performed during normal working hours.

LIMITATIONS OF WARRANTIES – ALL IMPLIED WARRANTIES (INCLUDING IMPLIED WARRANTIES OF MERCHANTABILITY AND FITNESS FOR A PARTICULAR PURPOSE) ARE HEREBY LIMITED IN DURATION TO THE PERIOD FOR WHICH THE LIMITED WARRANTY IS GIVEN AND APPLIES. SOME STATES DO NOT ALLOW LIMITATIONS ON HOW LONG AN IMPLIED WARRANTY LASTS, SO THE ABOVE MAY NOT APPLY TO YOU. THE EXPRESSED WARRANTIES MADE IN THIS WARRANTY ARE EXCLUSIVE AND MAY NOT BE ALTERED, ENLARGED, OR CHANGED BY ANY DISTRIBUTOR, DEALER, OR OTHER PERSON WHATSOEVER.

COMPANY WILL NOT BE RESPONSIBLE FOR:

1. Normal maintenance as outlined in the installation and servicing instructions or owner's manual, including filter cleaning and/or replacement and lubrication.
2. Damage or repairs required as a consequence of faulty installation, misapplication, abuse, improper servicing, unauthorized alteration or improper operation.
3. Failure to start due to voltage conditions, blown fuses, open circuit breakers, or damages due to the inadequacy or interruption of electrical service.
4. Damage as a result of floods, winds, fires, lightning, accidents, corrosive environments or other conditions beyond the control of Company.
5. Parts not supplied or designated by Company, or damages resulting from their use.
6. Company products installed outside the continental U.S.A., Alaska, Hawaii, and Canada.
7. Electricity or fuel costs, or increases in electricity or fuel costs from any reason whatsoever, including additional or unusual use of supplemental electric heat.
8. **ANY SPECIAL INDIRECT OR CONSEQUENTIAL PROPERTY OR COMMERCIAL DAMAGE OF ANY NATURE WHATSOEVER.** Some states do not allow the exclusion of incidental or consequential damages, so the above limitation may not apply to you.

This warranty gives you specific legal rights, and you may also have other rights which vary from state to state.