



# Installation, Start-up, Operating and Service and Maintenance Instructions Series A

SAFETY CONSIDERATIONS ..... 3

INTRODUCTION ..... 4

CODES AND STANDARDS ..... 4

    Safety ..... 4

    General Installation ..... 4

    Combustion and Ventilation Air ..... 5

    Duct Systems ..... 5

    Acoustical Lining and Fibrous Glass Duct ..... 5

    Gas Piping and Gas Pipe Pressure Testing ..... 5

    Electrical Connections ..... 5

    Venting ..... 5

ELECTROSTATIC DISCHARGE (ESD) PRECAUTIONS  
 PROCEDURE ..... 5

LOCATION ..... 6

AIR FOR COMBUSTION AND VENTILATION ..... 7

    Outdoor Combustion Air Method ..... 7

    The Standard Method: ..... 8

    Combination of Indoor and Outdoor Air ..... 8

INSTALLATION ..... 10

    Upflow Installation ..... 10

    Downflow/Horizontal Installation ..... 10

    Leveling Legs (If Desired) ..... 10

    Suspended Furnace Support ..... 11

    Platform Furnace Support ..... 11

    Roll-Out Protection ..... 12

    Bottom Return Air Inlet ..... 11

    Side Return Air Inlet ..... 11

    Filter Arrangement ..... 11

AIR DUCTS ..... 12

    Ductwork Acoustical Treatment ..... 12

    Supply Air Connections ..... 12

    Upflow and Horizontal Furnaces ..... 12

    Downflow Furnaces ..... 13

    Return Air Connections ..... 19

    Downflow Furnaces ..... 19

    Upflow and Horizontal Furnaces ..... 19

GAS PIPING ..... 19

ELECTRICAL CONNECTION ..... 21

ACCESSORIES ..... 23

VENTING ..... 24

START-UP, ADJUSTMENT, AND SAFETY CHECK ..... 34

    Start-Up Procedures ..... 35

    Adjustments ..... 37

    Wiring Diagram ..... 40

    Check Safety Controls ..... 47

    Checklist ..... 44

SERVICE AND MAINTENANCE PROCEDURES ..... 44

    General ..... 45

    Care and Maintenance ..... 46

    Sequence of Operation ..... 49

    Troubleshooting ..... 53

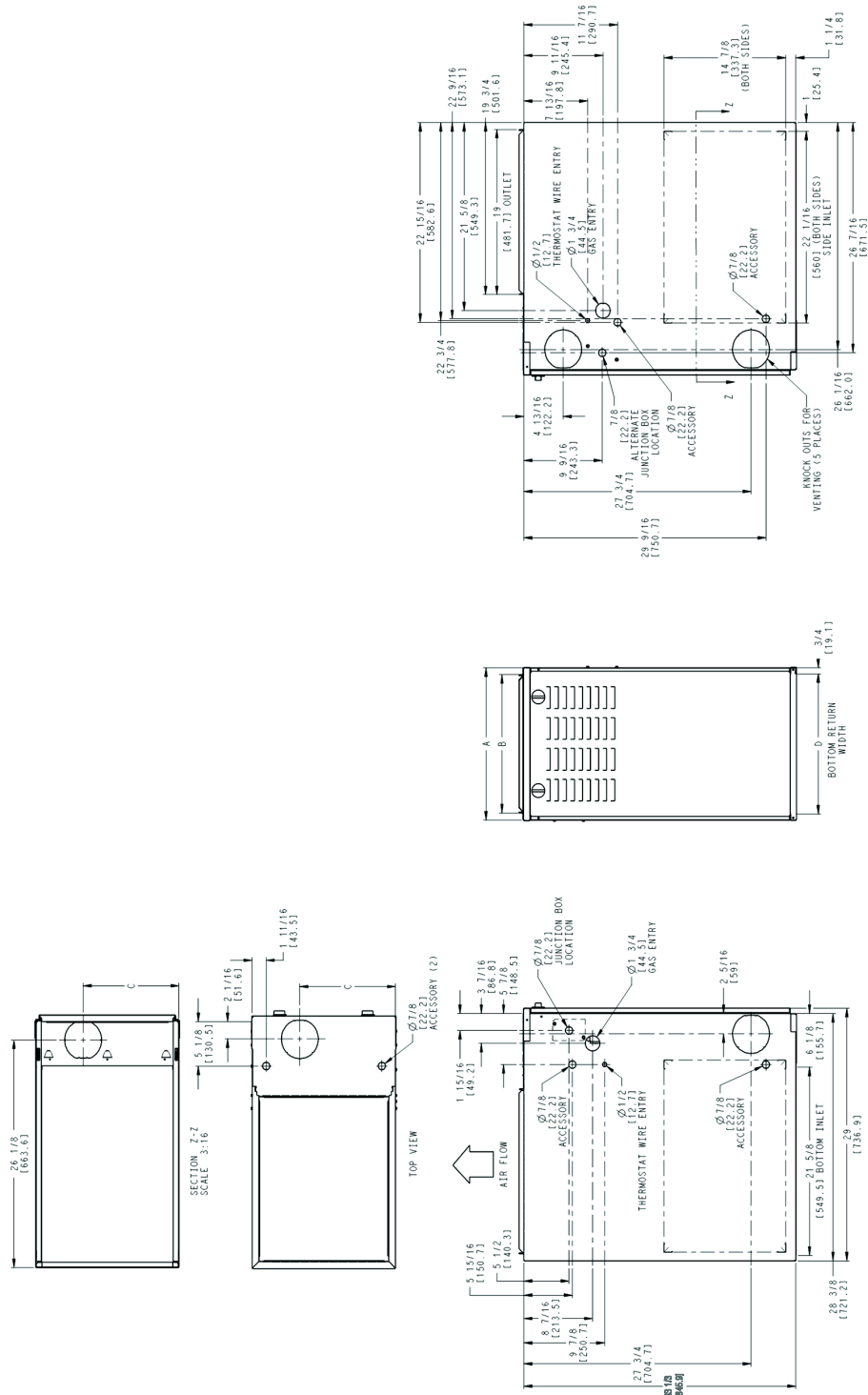
PARTS REPLACEMENT INFORMATION GUIDE ..... 55



Use of the AHRI Certified TM Mark indicates a manufacturer's participation in the program. For verification of certification for individual products, go to [www.ahridirectory.org](http://www.ahridirectory.org).

**NOTE:** Read the entire instruction manual before starting the installation.

Portions of the text and tables are reprinted from NFPA 54/ANSI Z223.1©, with permission of National Fire Protection Association, Quincy, MA 02269 and American Gas Association, Washington DC 20001. This reprinted material is not the complete and official position of the NFPA or ANSI on the referenced subject, which is represented only by the standard in its entirety.



A190045

| FURNACE SIZE | A             | B             | C                          | D                  | VENT CONNECTION SIZE | SHIP WT. LB (KG) | ACCESSORY FILTER MEDIA CABINET SIZE |
|--------------|---------------|---------------|----------------------------|--------------------|----------------------|------------------|-------------------------------------|
|              | CABINET WIDTH | OUTLET WIDTH  | TOP AND BOTTOM FLUE COLLAR | BOTTOM INLET WIDTH |                      |                  |                                     |
| 36045V14     | 14-3/16 (360) | 12-9/16 (319) | 9-5/16 (237)               | 12-11/16 (322)     | 4 (102)              | 111 (50)         | 16 (406)                            |
| 36070V14     | 14-3/16 (360) | 12-9/16 (319) | 9-5/16 (237)               | 12-11/16 (322)     | 4 (102)              | 118 (54)         | 16 (406)                            |
| 48070V17     | 17-1/2 (445)  | 15-7/8 (403)  | 11-9/16 (294)              | 16 (406)           | 4 (102)              | 132 (60)         | 16 (406)                            |
| 48090V17     | 17-1/2 (445)  | 15-7/8 (403)  | 11-9/16 (294)              | 16 (406)           | 4 (102)              | 131 (59)         | 16 (406)                            |
| 60090V21     | 21 (533)      | 19-3/8 (492)  | 13-5/16 (338)              | 19-1/2 (495)       | 4 (102)              | 142 (64)         | 20 (506)                            |
| 66110V21     | 21 (533)      | 19-3/8 (492)  | 13-5/16 (338)              | 19-1/2 (495)       | 4 (102)              | 154 (70)         | 20 (506)                            |
| 66135V24     | 24-1/2 (622)  | 22-7/8 (581)  | 15-1/16 (383)              | 23 (584)           | 4 (102)*             | 168 (76)         | 24 (610)                            |

\*135 size furnaces require a 5 or 6-in. (127 or 152 mm) vent. Use a vent adapter between furnace and vent stack. See Installation Instructions for complete installation requirements.

Fig. 1 - Dimensional Drawing

## SAFETY CONSIDERATIONS

### WARNING

#### FIRE, EXPLOSION, ELECTRICAL SHOCK, AND CARBON MONOXIDE POISONING HAZARD

Failure to follow this warning could result in dangerous operation, personal injury, death, or property damage.

Improper installation, adjustment, alteration, service, maintenance, or use can cause carbon monoxide poisoning, explosion, fire, electrical shock, or other conditions which may cause personal injury or property damage. Consult a qualified service agency, local gas supplier, or your distributor or branch for information or assistance. The qualified service agency must use only factory-authorized and listed kits or accessories when modifying this product.

### CAUTION

#### FURNACE RELIABILITY HAZARD

Failure to follow this caution may result in unit component damage.

Application of this furnace should be indoors with special attention given to vent sizing and material, gas input rate, air temperature rise, unit leveling, and unit sizing.

Installing and servicing heating equipment can be hazardous due to gas and electrical components. **Only trained and qualified personnel should install, repair, or service heating equipment.** Untrained personnel can perform basic maintenance functions such as cleaning and replacing air filters. All other operations must be performed by trained service personnel. When working on heating equipment, observe precautions in literature, on tags, and on labels attached to or shipped with furnace and other safety precautions that may apply.

These instructions cover minimum requirements and conform to existing national standards and safety codes. In some instances, these instructions exceed certain local codes and ordinances, especially those that may not have kept up with changing residential construction practices. We require these instructions as a minimum for a safe installation.


### CAUTION

#### CUT HAZARD

Failure to follow this caution may result in personal injury.

Sheet metal parts may have sharp edges or burrs. Use care and wear appropriate protective clothing, safety glasses and gloves when handling parts, and servicing furnaces.

Wear safety glasses, protective clothing and work gloves. Have fire extinguisher available during start-up and adjustment procedures and service calls.

This is the safety-alert symbol . When you see this symbol on the furnace and in instructions or manuals, be alert to the potential for personal injury.

Understand the signal words DANGER, WARNING, and CAUTION. These words are used with the safety-alert symbol. DANGER identifies the most serious hazards which **will** result in severe personal injury or death. WARNING signifies a hazard which **could** result in personal injury or death. CAUTION is used

to identify hazards which **may** result in minor personal injury or product and property damage. NOTE is used to highlight suggestions which will result in enhanced installation, reliability, or operation.

1. Use only with type of gas approved for this furnace. Refer to the furnace rating plate.
2. Install this furnace only in a location and position as specified in the "Location" section of these instructions.
3. Provide adequate combustion and ventilation air to the furnace space as specified in "Air for Combustion and Ventilation" section.
4. Combustion products must be discharged outdoors. Connect this furnace to an approved vent system only, as specified in the "Venting" section of these instructions.
5. Never test for gas leaks with an open flame. Use a commercially available soap solution made specifically for the detection of leaks to check all connections, as specified in the "Gas Piping" section.
6. Always install furnace to operate within the furnace's intended temperature-rise range with a duct system which has an external static pressure within the allowable range, as specified in the "Start-Up, Adjustments, and Safety Check" section. See furnace rating plate.
7. When a furnace is installed so that supply ducts carry air circulated by the furnace to areas outside the space containing the furnace, the return air shall also be handled by duct(s) sealed to the furnace casing and terminating outside the space containing the furnace. See "Air Ducts" section.
8. A gas-fired furnace for installation in a residential garage must be installed as specified in the warning box in the "Location" section.
9. The furnace may be used for construction heat provided that the furnace installation and operation complies with the first CAUTION in the LOCATION section of these instructions.
10. These Multipoise Gas-Fired Furnaces are CSA (formerly A.G.A. and C.G.A.) design-certified for use with natural and propane gases (see furnace rating plate) and for installation in alcoves, attics, basements, closets, utility rooms, crawlspaces, and garages. The furnace is factory-shipped for use with natural gas. A CSA (A.G.A. and C.G.A.) listed accessory gas conversion kit is required to convert furnace for use with propane gas.
11. See Fig. 2 for required clearances to combustible construction.
12. Maintain a 1-in. (25 mm) clearance from combustible materials to supply air ductwork for a distance of 36 in. (914 mm) horizontally from the furnace. See NFPA 90B or local code for further requirements.
13. These furnaces SHALL NOT be installed directly on carpeting, tile, or any other combustible material other than wood flooring. In downflow installations, factory accessory floor base MUST be used when installed on combustible materials and wood flooring. Special base is not required when this furnace is installed on manufacturer's Coil Assembly Part No. CNRV, CNPV, CAP, or CAR or when Coil Box Part No. KCAKC is used. See Fig. 2 for clearance to combustible construction information.

|  |   |
|--|---|
| <b>⚠ WARNING</b><br><b>FIRE, EXPLOSION,</b><br><b>ASPHYXIATION HAZARD</b>  | <b>INSTALLATION</b>   |
| <b>IMPROPER ADJUSTMENT, ALTERATION, SERVICE, MAINTENANCE, OR INSTALLATION CAN CAUSE SERIOUS INJURY OR DEATH.</b>   | <b>MINIMUM INCHES CLEARANCE TO COMBUSTIBLE CONSTRUCTION</b>   |
| <p>Improper adjustment, alteration, service, maintenance, or installation can cause serious injury or death.</p> <p>Read and follow instructions and precautions in User's Information Manual provided with this furnace. Installation and service must be performed by a qualified service agency or the gas supplier.</p>  | <p>This forced air furnace is equipped for use with natural gas at altitudes 0 - 10,000 ft (0 - 3,050m). An accessory kit, supplied by the manufacturer, shall be used to convert to propane gas use or may be required for some natural gas applications.</p> <p>This furnace is for indoor installation in a building constructed on site.</p> <p>This furnace may be installed on combustible flooring in alcove or closet at minimum clearance as indicated by the diagram from combustible material.</p> <p>This furnace may be used with a Type B-1 Vent and may be vented in common with other gas fired appliances.</p> |
| <b>⚠ CAUTION</b>   |   |
| <p>Check entire gas assembly for leaks after lighting this appliance.</p>  | <b>Vent Clearance to combustibles:</b><br>For Single Wall vents 6 inches (6 po).<br>For Type B-1 vent type 1 inch (1 po).   |
| <b>INSTALLATION</b>  | <b>MINIMUM INCHES CLEARANCE TO COMBUSTIBLE CONSTRUCTION</b>   |
| <ol style="list-style-type: none"> <li>This furnace must be installed in accordance with the manufacturer's instructions and local codes. In the absence of local codes, follow the National Fuel Gas Code ANSI Z223.1 / NFPA54 or CSA B-149.1 Gas Installation Code.</li> <li>This furnace must be installed so there are provisions for combustion and ventilation air. See manufacturer's installation information provided with this appliance.</li> </ol> | <b>DOWNFLOW POSITIONS:</b><br>† Installation on non-combustible floors only.<br>For Installation on combustible flooring only when installed on special base, Part No. KGASB0201ALL or NAHA01101SB, Coil Assembly, Part No. CAR, CAP, CNPV, CNRV, END4X, ENW4X, WENC, WTNC, WENW OR WTNW.<br>∅ 18 inches front clearance required for alcove.<br>* Indicates supply or return sides when furnace is in the horizontal position. Line contact only permissible between lines formed by intersections of the Top and two Sides of the furnace jacket, and building joists, studs or framing.                                      |
| <b>OPERATION</b>   |   |
| <p>This furnace is equipped with manual reset limit switch(es) in burner compartment to protect against overheat conditions that can result from inadequate combustion air supply or blocked vent conditions.</p> <ol style="list-style-type: none"> <li>Do not bypass limit switches.</li> <li>If a limit opens, call a qualified serviceman to correct the condition and reset limit switch.</li> </ol>  | 336996-101 REV. C   |

Fig. 2 - Clearances to Combustibles

A10269

## INTRODUCTION

This 4-way multipoise Category I fan-assisted furnace is CSA (formerly A.G.A. and C.G.A.) design-certified. A Category I fan-assisted furnace is an appliance equipped with an integral mechanical means to either draw or force products of combustion through the combustion chamber and/or heat exchanger. The furnace is factory-shipped for use with natural gas. This furnace is not approved for installation in mobile homes, recreational vehicles, or outdoors.

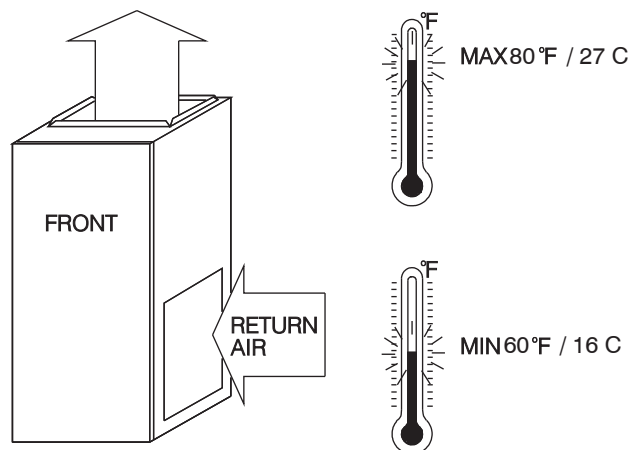


Fig. 3 - Return Air Temperature

A06745

This furnace is designed for minimum continuous return-air temperature of 60°F (15°C) db or intermittent operation down to 55°F (13°C)db such as when used with a night setback thermostat. Return-air temperature must not exceed 80°F (27°C) db. Failure to follow these return-air temperature limits may affect reliability of heat exchangers, motors, and controls. (See Fig. 3.)

For accessory installation details, refer to the applicable instruction literature.

**NOTE:** Remove all shipping brackets and materials before operating the furnace.

## CODES AND STANDARDS

**Follow all national and local codes and standards in addition to these instructions.** The installation must comply with regulations of the serving gas supplier, local building, heating, plumbing, and other codes. In absence of local codes, the installation must comply with the national codes listed below and all authorities having jurisdiction.

In the United States, follow all codes and standards for the following:

### Safety

NFPA 54/ANSI Z223.1 and the Installation Standards, Warm Air Heating and Air Conditioning Systems ANSI/NFPA 90B .

### General Installation

Current edition of the NFGC and the NFPA 90B. For copies, contact the National Fire Protection Association Inc.,

Batterymarch Park, Quincy, MA 02269; (www.NFPA.org) or for only the NFGC, contact the American Gas Association, 400 N. Capitol Street, N.W., Washington, DC 20001 (www.AGA.org).

**Combustion and Ventilation Air**

Section 9.3 NFPA 54/ANSI Z223.1, Air for Combustion and Ventilation .

**Duct Systems**

Air Conditioning Contractors Association (ACCA) Manual D, Sheet Metal and Air Conditioning Contractors National Association (SMACNA), or American Society of Heating, Refrigeration, and Air Conditioning Engineers (ASHRAE) 2001 Fundamentals Handbook Chapter 35 or 2005 HVAC Systems and Equipment Handbook Chapters 9 and 16.

**Acoustical Lining and Fibrous Glass Duct**

Current edition of SMACNA and NFPA 90B as tested by UL Standard 181 for Class I Rigid Air Ducts

**Gas Piping and Gas Pipe Pressure Testing**

NFPA 54/ANSI Z223.1 ; chapters 5, 6, and 7 and National Plumbing Codes .

**Electrical Connections**

National Electrical Code (NEC) ANSI/NFPA70 .

**Venting**

NFPA 54/ANSI Z223.1; chapters 12 and 13.

1. Disconnect all power to the furnace. Multiple disconnects may be required. DO NOT TOUCH THE CONTROL OR ANY WIRE CONNECTED TO THE CONTROL PRIOR TO DISCHARGING YOUR BODY'S ELECTROSTATIC CHARGE TO GROUND.
2. Firmly touch the clean, unpainted, metal surface of the furnace chassis which is close to the control. Tools held in a person's hand during grounding will be satisfactorily discharged.
3. After touching the chassis, you may proceed to service the control or connecting wires as long as you do nothing to recharge your body with static electricity (for example; DO NOT move or shuffle your feet, do not touch ungrounded objects, etc.).
4. If you touch ungrounded objects (and recharge your body with static electricity), firmly touch a clean, unpainted metal surface of the furnace again before touching control or wires.
5. Use this procedure for installed and uninstalled (ungrounded) furnaces.
6. Before removing a new control from its container, discharge your body's electrostatic charge to ground to protect the control from damage. If the control is to be installed in a furnace, follow items 1 through 4 before bringing the control or yourself in contact with the furnace. Put all used and new controls into containers before touching ungrounded objects.
7. An ESD service kit (available from commercial sources) may also be used to prevent ESD damage.

**ELECTROSTATIC DISCHARGE (ESD) PRECAUTIONS PROCEDURE**

**⚠ CAUTION**

**FURNACE RELIABILITY HAZARD**

Failure to follow this caution may result in unit component damage.

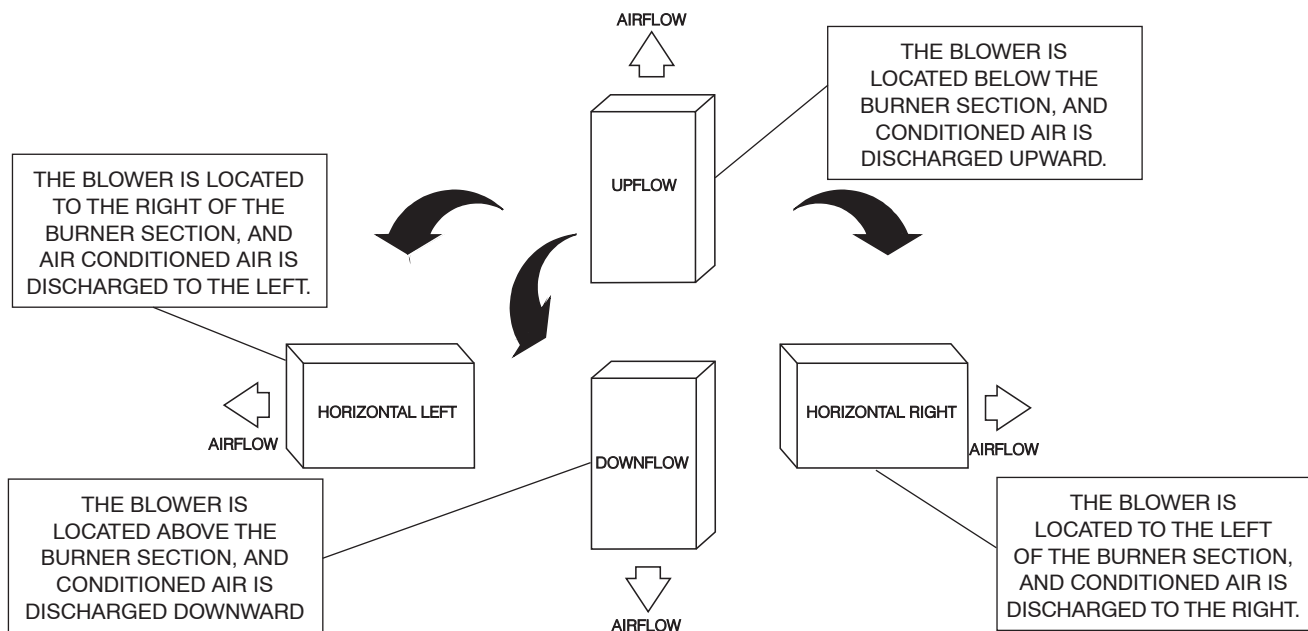
Electrostatic discharge can affect electronic components. Take precautions during furnace installation and servicing to protect the furnace electronic control. Precautions will prevent electrostatic discharges from personnel and hand tools which are held during the procedure. These precautions will help to avoid exposing the control to electrostatic discharge by putting the furnace, the control, and the person at the same electrostatic potential.

**LOCATION**

**GENERAL**

This multipoise furnace is shipped in packaged configuration. Some assembly and modifications are required when used in any of the four applications shown in Fig. 4.

**NOTE:** For high-altitude installations, the high-altitude conversion kit **MUST** be installed at or above 5500 ft. (1676 M) above sea level. Obtain high-altitude conversion kit from your area authorized distributor.



**Fig. 4 - Multipoise Orientations**

This furnace must:

- be installed so the electrical components are protected from water.
- not be installed directly on any combustible material other than wood flooring (refer to SAFETY CONSIDERATIONS).
- be located close to the chimney or vent and attached to an air distribution system. Refer to Air Ducts section.
- be provided ample space for servicing and cleaning. Always comply with minimum fire protection clearances shown on the furnace clearance to combustible construction label.

## ⚠ WARNING

### **CARBON MONOXIDE POISONING / COMPONENT DAMAGE HAZARD**

Failure to follow this warning could result in personal injury or death and unit component damage.

Corrosive or contaminated air may cause failure of parts containing flue gas, which could leak into the living space. Air for combustion must not be contaminated by halogen compounds, which include fluoride, chloride, bromide, and iodide. These elements can corrode heat exchangers and shorten furnace life. Air contaminants are found in aerosol sprays, detergents, bleaches, cleaning solvents, salts, air fresheners, and other household products. Do not install furnace in a corrosive or contaminated atmosphere. Make sure all combustion and circulating air requirements are met, in addition to all local codes and ordinances.

The following types of furnace installations may require **OUTDOOR AIR** for combustion due to chemical exposures:

- Commercial buildings
- Buildings with indoor pools
- Laundry rooms
- Hobby or craft rooms, and
- Chemical storage areas

If air is exposed to the following substances, it should not be used for combustion air, and outdoor air may be required for combustion:

- Permanent wave solutions
- Chlorinated waxes and cleaners
- Chlorine based swimming pool chemicals
- Water softening chemicals
- De-icing salts or chemicals
- Carbon tetrachloride
- Halogen type refrigerants
- Cleaning solvents (such as perchloroethylene)
- Printing inks, paint removers, varnishes, etc.
- Hydrochloric acid
- Cements and glues
- Antistatic fabric softeners for clothes dryers
- Masonry acid washing materials

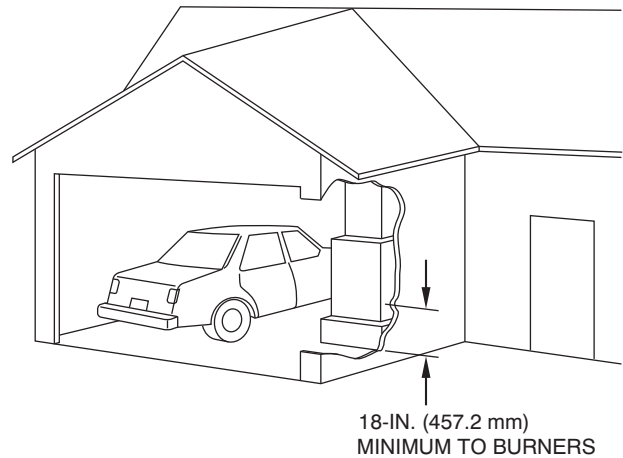
All fuel-burning equipment must be supplied with air for fuel combustion. Sufficient air must be provided to avoid negative pressure in the equipment room or space. A positive seal must be made between the furnace cabinet and the return-air duct to prevent pulling air from the burner area and from draft safeguard opening.

## ⚠ WARNING

### **FIRE, INJURY OR DEATH HAZARD**

Failure to follow this warning could result in personal injury, death and/or property damage.

When the furnace is installed in a residential garage, the burners and ignition sources must be located at least 18 in. (457 mm) above the floor. The furnace must be located or protected to avoid damage by vehicles. When the furnace is installed in a public garage, airplane hangar, or other building having a hazardous atmosphere, the furnace must be installed in accordance with the NFPA 54/ANSI Z223.1. (See Fig. 5.)



A93044

**Fig. 5 - Installation in a Garage**

## ⚠ WARNING

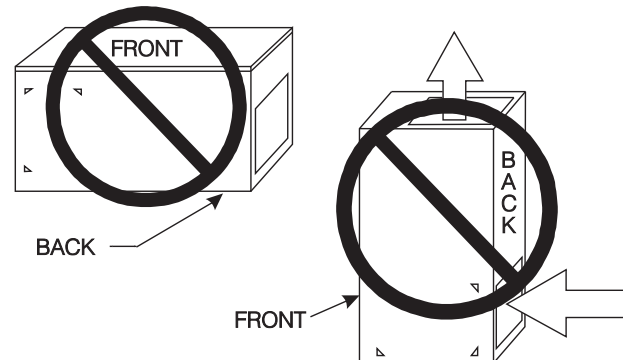
### **FIRE HAZARD**

Failure to follow this warning could result in personal injury, death and/or property damage.

Do not install the furnace on its back or hang furnace with control compartment facing downward. Safety control operation will be adversely affected. Never connect return-air ducts to the back of the furnace. (See Fig. 6.)

### **LOCATION RELATIVE TO COOLING EQUIPMENT**

The cooling coil must be installed parallel with, or on the downstream side of the unit to avoid condensation in the heat exchangers. When installed parallel with the furnace, dampers or other flow control must prevent chilled air from entering the furnace. If the dampers are manually operated, they must be equipped with means to prevent operation of either unit unless the damper is in the full-heat or full-cool position.



A02054

**Fig. 6 - Prohibit Installation on Back**



## ⚠ CAUTION

### PERSONAL INJURY AND/OR PROPERTY DAMAGE HAZARD

Improper use or installation of this furnace may result in premature furnace component failure. This gas furnace may be used for heating buildings under construction provided that:

- The furnace is permanently installed with all electrical wiring, piping, venting and ducting installed according to these installation instructions. A return air duct is provided, sealed to the furnace casing, and terminated outside the space containing the furnace. This prevents a negative pressure condition as created by the circulating air blower, causing a flame rollout and/or drawing combustion products into the structure.

- The furnace is controlled by a thermostat. It may not be "hot wired" to provide heat continuously to the structure without thermostatic control.

- Clean outside air is provided for combustion. This is to minimize the corrosive effects of adhesives, sealers and other construction materials. It also prevents the entrainment of drywall dust into combustion air, which can cause fouling and plugging of furnace components.

- The temperature of the return air to the furnace is maintained between 55°F (13°C) and 80°F (27°C), with no evening setback or shutdown. The use of the furnace while the structure is under construction is deemed to be intermittent operation per our installation instructions.

- The air temperature rise is within the rated rise range on the furnace rating plate, and the gas input rate has been set to the nameplate value. -The filters used to clean the circulating air during the construction process must be either changed or thoroughly cleaned prior to occupancy.

- The furnace, ductwork and filters are cleaned as necessary to remove drywall dust and construction debris from all HVAC system components after construction is completed.

- Verify proper furnace operating conditions including ignition, gas input rate, air temperature rise, and venting according to these installation instructions.

## AIR FOR COMBUSTION AND VENTILATION

Provisions for adequate combustion, ventilation, and dilution air must be provided in accordance with:

- U.S. Installations: Section 9.3 of the NFPA 54/ANSI Z223.1, Air for Combustion and Ventilation and applicable provisions of the local building codes.

## ⚠ CAUTION

### FURNACE CORROSION HAZARD

Failure to follow this caution may result in furnace damage.

Air for combustion must not be contaminated by halogen compounds, which include fluoride, chloride, bromide, and iodide. These elements can corrode heat exchangers and shorten furnace life. Air contaminants are found in aerosol sprays, detergents, bleaches, cleaning solvents, salts, air fresheners, and other household products.

## ⚠ WARNING

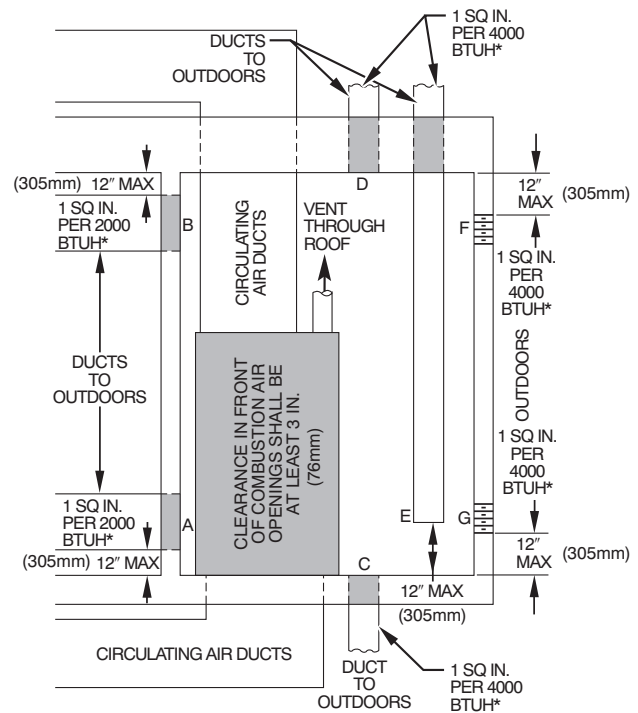
### CARBON MONOXIDE POISONING HAZARD

Failure to follow this warning could result in personal injury or death.

The operation of exhaust fans, kitchen ventilation fans, clothes dryers, attic exhaust fans or fireplaces could create a **NEGATIVE PRESSURE CONDITION** at the furnace. Make-up air **MUST** be provided for the ventilation devices, in addition to that required by the furnace. Refer to the Carbon Monoxide Poisoning Hazard warning in the venting section of these instructions to determine if an adequate amount of make-up air is available.

The requirements for combustion and ventilation air depend upon whether or not the furnace is located in a space having a volume of at least 50 cubic feet per 1,000 Btu input rating for all gas appliances installed in the space.

- Spaces having less than 50 cubic feet per 1,000 Btu require the **OUTDOOR COMBUSTION AIR METHOD**.



\*Minimum dimensions of 3-in. (76 mm).

**NOTE:** Use any of the following combinations of openings:  
A & B C & D D & E F & G

A03174

**Fig. 7 - Air for Combustion, Ventilation, and Dilution for Outdoors**

- Spaces having at least 50 cubic feet per 1,000 Btu may use the **INDOOR COMBUSTION AIR, STANDARD or KNOWN AIR INFILTRATION METHOD**.

### Outdoor Combustion Air Method

1. Provide the space with sufficient air for proper combustion, ventilation, and dilution of flue gases using permanent horizontal or vertical duct(s) or opening(s) directly communicating with the outdoors or spaces that freely communicate with the outdoors.

The opening shall commence within 12 in. (300 mm) of the ceiling. Appliances in the space shall have clearances of at least 1 in. (25 mm) from the sides and back and 6 in. (150 mm) from the front. The opening shall directly communicate with the outdoors or shall communicate through a vertical or horizontal duct to the outdoors or spaces (crawl or attic) that freely communicate with the outdoors.

**Indoor Combustion Air** © NFPA & AGA

**Standard and Known-Air-Infiltration Rate Methods**

Indoor air is permitted for combustion, ventilation, and dilution, if the **Standard** or **Known-Air-Infiltration** Method is used.

**⚠ WARNING**

**CARBON MONOXIDE POISONING HAZARD**

Failure to follow this warning could result in personal injury or death.

Many homes require air to be supplied from outdoors for furnace combustion, ventilation, and dilution of flue gases.

The furnace combustion air supply must be provided in accordance with this instruction manual.

**Table 1 – Minimum Free Area Required for Each Combustion Air opening of Duct to Outdoors**

| FURNACE INPUT (BTUH) | TWO HORIZONTAL DUCTS                           |                          | SINGLE DUCT OR OPENING                         |                          | TWO OPENINGS OR VERTICAL DUCTS                 |                          |
|----------------------|--|--------------------------|--|--------------------------|--|--------------------------|
|                      | (1 SQ. IN./2,000 BTUH) (1,100 SQ. MM/KW)       |                          | (1 SQ. IN./3,000 BTUH) (734 SQ. MM/KW)         |                          | (1 SQ. IN./4,000 BTUH) (550 SQ. MM/KW)         |                          |
|                      | Free Area of Opening and Duct Sq. In. (Sq. mm) | Round Duct Dia. In. (mm) | Free Area of Opening and Duct Sq. In. (Sq. mm) | Round Duct Dia. In. (mm) | Free Area of Opening and Duct Sq. In. (Sq. mm) | Round Duct Dia. In. (mm) |
| 44,000               | 22 (14194)                                     | 6 (152)                  | 14.7 (9484)                                    | 5 (127)                  | 11 (7096)                                      | 4 (102)                  |
| 66,000               | 33 (21290)                                     | 7 (178)                  | 22 (14193)                                     | 6 (152)                  | 16.5 (10645)                                   | 5 (127)                  |
| 88,000               | 44 (28387)                                     | 8 (203)                  | 29.3 (18903)                                   | 7 (178)                  | 22 (14193)                                     | 6 (152)                  |
| 110,000              | 55 (35484)                                     | 9 (229)                  | 36.7 (23677)                                   | 7 (178)                  | 27.5 (17742)                                   | 6 (152)                  |
| 132,000              | 66 (42580)                                     | 10 (254)                 | 44 (28387)                                     | 8 (203)                  | 33 (21290)                                     | 7 (178)                  |
| 154,000              | 77 (49677)                                     | 10 (254)                 | 51.3 (33096)                                   | 9 (229)                  | 38.5 (24839)                                   | 8 (203)                  |

Note: Not all models have these sizes.

**EXAMPLES: Determining Free Area**

| FURNACE | + | WATER HEATER | = | TOTAL INPUT                | = | Result   |
|---------|---|--------------|---|----------------------------|---|--|
| 110,000 | + | 30,000       | = | (140,000 divided by 4,000) | = | 35.0 Sq. In. for each two Vertical Ducts or Openings |
| 66,000  | + | 40,000       | = | (106,000 divided by 3,000) | = | 35.3 Sq. In. for a Single Duct or Opening            |
| 88,000  | + | 30,000       | = | (118,000 divided by 2,000) | = | 59.0 Sq. In. for each of two Horizontal Ducts        |

**Table 2 – Minimum Space Volumes for 100% Combustion, Ventilation, and Dilution from Indoors**

| ACH         | OTHER THAN FAN-ASSISTED TOTAL (1,000'S BTUH GAS INPUT RATE) |               |                | FAN-ASSISTED TOTAL (1,000'S BTUH GAS INPUT RATE) |               |                |                |                |                |
|-------------|---|---------------|----------------|--|---------------|----------------|----------------|----------------|----------------|
|             | 30  | 40            | 50             | 44   | 66            | 88             | 110            | 132            | 154            |
|             | Space Volume Ft <sup>3</sup> (M <sup>3</sup> )              |               |                |  |               |                |                |                |                |
| <b>0.60</b> | 1,050 (29.7)  | 1,400 (39.6)  | 1,750 (49.5)   | 1,100 (31.1)                                     | 1,650 (46.7)  | 2,200 (62.2)   | 2,750 (77.8)   | 3,300 (93.4)   | 3,850 (109.0)  |
| <b>0.50</b> | 1,260 (35.6)  | 1,680 (47.5)  | 2,100 (59.4)   | 1,320 (37.3)                                     | 1,980 (56.0)  | 2,640 (74.7)   | 3,300 (93.4)   | 3,960 (112.1)  | 4,620 (130.8)  |
| <b>0.40</b> | 1,575 (44.5)  | 2,100 (59.4)  | 2,625 (74.3)   | 1,650 (46.7)                                     | 2,475 (70.0)  | 3,300 (93.4)   | 4,125 (116.8)  | 4,950 (140.1)  | 5,775 (163.5)  |
| <b>0.30</b> | 2,100 (59.4)  | 2,800 (79.2)  | 3,500 (99.1)   | 2,200 (62.2)                                     | 3,300 (93.4)  | 4,400 (124.5)  | 5,500 (155.7)  | 6,600 (186.8)  | 7,700 (218.0)  |
| <b>0.20</b> | 3,150 (89.1)  | 4,200 (118.9) | 5,250 (148.6)  | 3,300 (93.4)                                     | 4,950 (140.1) | 6,600 (186.8)  | 8,250 (233.6)  | 9,900 (280.3)  | 11,550 (327.0) |
| <b>0.10</b> | 6,300 (178.3)   | 8,400 (237.8) | 10,500 (297.3) | 6,600 (186.8)                                    | 9,900 (280.3) | 13,200 (373.7) | 16,500 (467.2) | 19,800 (560.6) | 23,100 (654.1) |
| <b>0.00</b> | NP  | NP            | NP             | NP   | NP            | NP             | NP             | NP             | NP             |

NP = Not Permitted

Note: Not all models have these sizes.

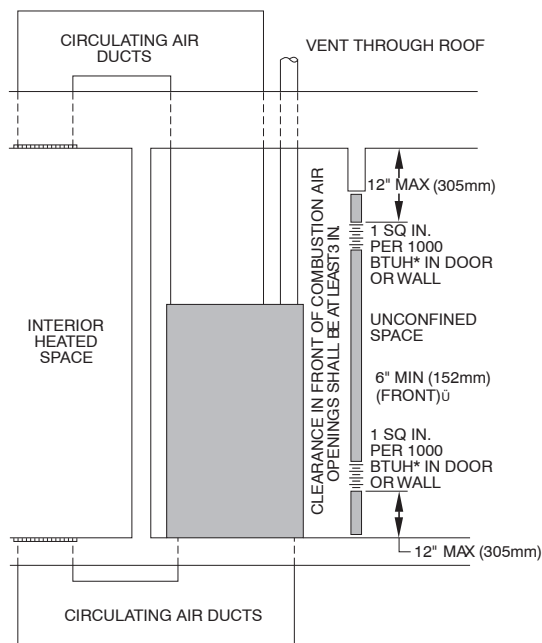
2. Fig. 7 illustrates how to provide TWO OUTDOOR OPENINGS, one inlet and one outlet combustion and ventilation air opening, to the outdoors.

- a. One opening MUST commence within 12 in. (300 mm) of the ceiling and the second opening MUST commence within 12 in. (300 mm) of the floor.
- b. Size openings and ducts per Fig. 7 and Table 1.
- c. TWO HORIZONTAL DUCTS require 1 sq. in. (645 sq. mm) of free area per 2,000 Btuh (1,100 mm<sup>2</sup>/kW) of combined input for all gas appliances in the space per Fig. 7 and Table 1.

d. TWO OPENINGS OR VERTICAL DUCTS require 1 sq. in. (645 sq. mm) of free area per 4,000 Btuh (550 mm<sup>2</sup>/kW) for combined input of all gas appliances in the space per Fig. 7 and Table 1.

3. ONE OUTDOOR OPENING requires:
  - a. 1 sq. in. (645 sq. mm) of free area per 3,000 Btuh (734 mm<sup>2</sup>/kW) for combined input of all gas appliances in the space per Table 1 and
  - b. Not less than the sum of the areas of all vent connectors in the space.





\* Minimum opening size is 100 sq in. (64516 sq. mm) with minimum dimensions of 3 in. (76 mm)

† Minimum of 3 in. (76 mm) when type-B1 vent is used.

A03175

**Fig. 8 - Air for Combustion, Ventilation, and Dilution from Indoors**

**The Standard Method:**

1. The space has no less volume than 50 cubic feet per 1,000 Btuh of the maximum input ratings for all gas appliances installed in the space and
2. The air infiltration rate is not known to be less than 0.40 air changes per hour (ACH).

The **Known Air Infiltration Rate** Method shall be used, if the infiltration rate is known to be:

1. Less than 0.40 ACH and
2. Equal to or greater than 0.10 ACH

Infiltration rates greater than 0.60 ACH shall not be used. The minimum required volume of the space varies with the number of ACH and shall be determined per Table 2 or Equations 1 and 2. Determine the minimum required volume for each appliance in the space and add the volumes together to get the total minimum required volume for the space.

**Table 2 - Minimum Space Volumes** were determined by using the following equations from the *National Fuel Gas Code ANSI Z223.1/NFPA 54, 9.3.2.2:*

1. For other than fan-assisted appliances, such as a draft hood-equipped water heater:

$$\text{Volume}_{\text{Other}} = \frac{21\text{ft}^3}{\text{ACH}} \left( \frac{I_{\text{other}}}{1000 \text{ Btu/hr}} \right)$$

A04002

2. For fan-assisted appliances such as this furnace:

$$\text{Volume}_{\text{Fan}} = \frac{15\text{ft}^3}{\text{ACH}} \left( \frac{I_{\text{fan}}}{1000 \text{ Btu/hr}} \right)$$

A04003

If: I<sub>other</sub> = combined input of all other than fan-assisted appliances in Btuh/hr

I<sub>fan</sub> = combined input of all fan-assisted appliances in Btuh/hr

ACH = air changes per hour (ACH shall not exceed 0.60.)

The following requirements apply to the **Standard Method** and to the **Known Air Infiltration Rate Method**.

1. Adjoining rooms can be considered part of a space if:
  - a. There are no closeable doors between rooms.
  - b. Combining spaces on same floor level. Each opening shall have free area of at least 1 in.<sup>2</sup>/1,000 Btuh (2,000 mm<sup>2</sup>/kW) of the total input rating of all gas appliances in the space, but not less than 100 in.<sup>2</sup> (0.06 m<sup>2</sup>). One opening shall commence within 12 in. (300 mm) of the ceiling and the second opening shall commence within 12 in. (300 mm) of the floor. The minimum dimension of air openings shall be at least 3 in. (80 mm). (See Fig. 8.)
  - c. Combining space on different floor levels. The volumes of spaces on different floor levels shall be considered as communicating spaces if connected by one or more permanent openings in doors or floors having free area of at least 2 in.<sup>2</sup>/1,000 Btuh (4,400 mm<sup>2</sup>/kW) of total input rating of all gas appliances.
2. An attic or crawlspace may be considered a space that freely communicates with the outdoors provided there are adequate permanent ventilation openings directly to outdoors having free area of at least 1 in.<sup>2</sup>/4,000 Btuh of total input rating for all gas appliances in the space.
3. In spaces that use the **Indoor Combustion Air Method**, infiltration should be adequate to provide air for combustion, permanent ventilation and dilution of flue gases. However, in buildings with unusually tight construction, additional air **MUST** be provided using the methods described in the **Outdoor Combustion Air Method** section.
4. Unusually tight construction is defined as Construction with:
  - a. Walls and ceilings exposed to the outdoors have a continuous, sealed vapor barrier. Openings are gasketed or sealed and
  - b. Doors and openable windows are weatherstripped and
  - c. Other openings are caulked or sealed. These include joints around window and door frames, between sole plates and floors, between wall-ceiling joints, between wall panels, at penetrations for plumbing, electrical and gas lines, etc.

**Combination of Indoor and Outdoor Air**

1. Indoor openings shall comply with the **Indoor Combustion Air Method** below and,
2. Outdoor openings shall be located as required in the **Outdoor Combustion Air Method** mentioned previously and,
3. Outdoor openings shall be sized as follows:
  - a. Calculate the Ratio of all Indoor Space volume divided by required volume for **Indoor Combustion Air Method** below.
  - b. Outdoor opening size reduction **Factor** is 1 minus the **Ratio** in a. above.
  - c. Minimum size of Outdoor openings shall be the size required in **Outdoor Combustion Air Method** above multiplied by reduction **Factor** in b. above. The minimum dimension of air openings shall be not less than 3 in. (80 mm).

# INSTALLATION

## UPFLOW INSTALLATION

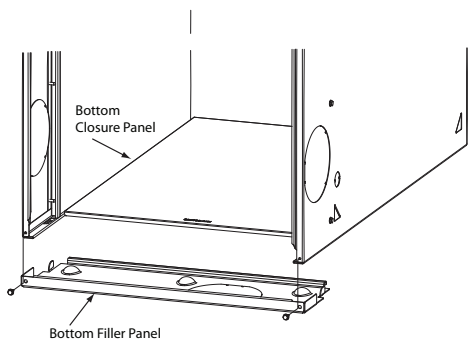
### Bottom Return Air Inlet

These furnaces are shipped with bottom closure panel installed in bottom return-air opening. Remove and discard this panel when bottom return air is used. To remove bottom closure panel, perform the following:

1. Tilt or raise furnace and remove 2 screws holding bottom filler panel. (See Fig. 9.)
2. Rotate bottom filler panel downward to release holding tabs.
3. Remove bottom closure panel.
4. Reinstall bottom filler panel and screws.

### Side Return Air Inlet

These furnaces are shipped with bottom closure panel installed in bottom return-air opening. This panel **MUST** be in place when only side return air is used.



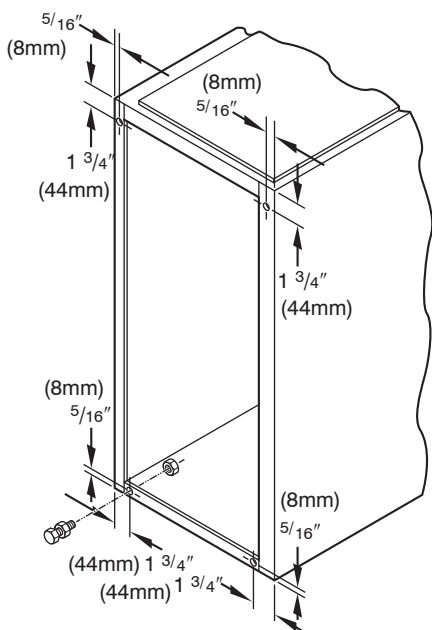
A10273

Fig. 9 - Removing Bottom Closure Panel

**NOTE:** Side return-air openings can be used in UPFLOW and most HORIZONTAL configurations. Do not use side return-air openings in DOWNFLOW configuration.

### Leveling Legs (If Desired)

In upflow position with side return inlet(s), leveling legs may be used. (See Fig. 10.) Install field-supplied, 5/16 X 1-1/2 in. (8 X 38 mm) (max) corrosion-resistant machine bolts, washers and nuts.



A89014

Fig. 10 - Leveling Legs

**NOTE:** Bottom closure must be used when leveling legs are used. It may be necessary to remove and reinstall bottom closure panel to install leveling legs. To remove bottom closure panel, see Item 1 in Bottom Return Air Inlet section in Step 1 above.

To install leveling legs:

1. Position furnace on its back. Locate and drill a hole in each bottom corner of furnace. (See Fig. 10.)
2. For each leg, install nut on bolt and then install bolt with nut in hole. (Install flat washer if desired.)
3. Install another nut on other side of furnace base. (Install flat washer if desired.)
4. Adjust outside nut to provide desired height, and tighten inside nut to secure arrangement.
5. Reinstall bottom closure panel if removed.

## DOWNFLOW INSTALLATION

**NOTE:** For downflow applications, this furnace is approved for use on combustible flooring when any one of the following 3 accessories are used:

- Special Base, KGASB
  - Cased Coil Assembly Part No. CNPV, CNRV, CAP, or CAR
  - Coil Box Part No. KCAKC
1. Determine application being installed from Table 3.
  2. Construct hole in floor per Table 3 and Fig. 11.
  3. Construct plenum to dimensions specified in Table 3 and Fig. 11.
  4. If downflow subbase, KGASB is used, install as shown in Fig. 12. If Coil Assembly Part No. CPVP, CAPMP or CNPVP Coil Box Part No. KCAKC is used, install as shown in Fig. 13.

**NOTE:** It is recommended that the perforated supply-air duct flanges be completely folded over or removed from furnace when installing the furnace on a factory-supplied cased coil or coil box. To remove the supply-air duct flange, use wide duct pliers or hand seamers to bend flange back and forth until it breaks off. Be careful of sharp edges. (See Fig. 14.)

### Bottom Return Air Inlet

These furnaces are shipped with bottom closure panel installed in bottom return-air opening. Remove and discard this panel when bottom return air is used. To remove bottom closure panel, perform the following:

1. Tilt or raise furnace and remove 2 screws holding bottom filler panel. (See Fig. 9.)
2. Rotate bottom filler panel downward to release holding tabs.
3. Remove bottom closure panel.
4. Reinstall bottom filler panel and screws.

## HORIZONTAL INSTALLATION

**⚠ WARNING**

**FIRE, EXPLOSION, AND CARBON MONOXIDE POISONING HAZARD**

Failure to follow this warning could result in personal injury, death, or property damage.

Do not install the furnace on its back or hang furnace with control compartment facing downward. Safety control operation will be adversely affected. Never connect return-air ducts to the back of the furnace.

The furnace can be installed horizontally in an attic or crawlspace on either the left-hand (LH) or right-hand (RH) side. The furnace

can be hung from floor joists, rafters or trusses or installed on a non-combustible platform, blocks, bricks or pad.

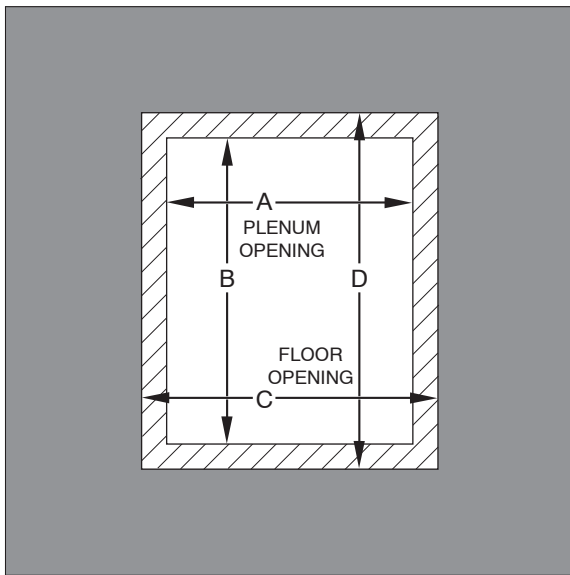
**Suspended Furnace Support**

The furnace may be supported under each end with threaded rod, angle iron or metal plumber’s strap as shown. (See Fig. 15 and 16.) Secure angle iron to bottom of furnace as shown. Heavy-gauge sheet metal straps (plumber’s straps) may be used to suspend the furnace from each bottom corner. To prevent screws from pulling out, use 2 #8 x 3/4 in. screws into the side and 2 #8 x in. screws in the bottom of the furnace casing for each strap. (See Fig. 15 and 16.)

If the screws are attached to ONLY the furnace sides and not the bottom, the straps must be vertical against the furnace sides and not pull away from the furnace sides, so that the strap attachment screws are not in tension (are loaded in shear) for reliable support.

**Platform Furnace Support**

Construct working platform at location where all required furnace clearances are met. (See Fig. 2 and 17.) For furnaces with 1-in. (25 mm) clearance requirement on side, set furnace on non-combustible blocks, bricks or angle iron. For crawlspace installations, if the furnace is not suspended from the floor joists, the ground underneath furnace must be level and the furnace set on blocks or bricks.



A96283

**Fig. 11 - Floor and Plenum Opening Dimensions**

**Roll-Out Protection**

Provide a minimum 17-3/4-in. X 22-in. (451 X 559 mm) piece of sheet metal for flame roll-out protection in front of burner area for furnaces closer than 12-in. (305 mm) above the combustible deck or suspended furnaces closer than 12-in. (305 mm) to joists. The sheet metal MUST extend underneath the furnace casing by 1-in. (25 mm) with the door removed.

The bottom closure panel on furnaces of widths 17-1/2-in. (445 mm) and larger may be used for flame roll-out protection when bottom of furnace is used for return air connection. See Fig. 17 for proper orientation of roll-out shield.

**Bottom Return Air Inlet**

These furnaces are shipped with bottom closure panel installed in bottom return-air opening. Remove and discard this panel when bottom return air is used. To remove bottom closure panel, perform the following:

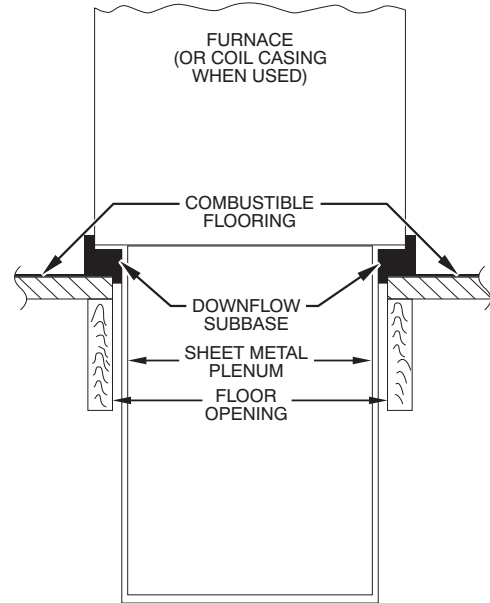
1. Tilt or raise furnace and remove two screws holding bottom filler panel. (See Fig. 9.)

2. Rotate bottom filler panel downward to release holding tabs.
3. Remove bottom closure panel.
4. Reinstall bottom filler panel and screws.

**Side Return Air Inlet**

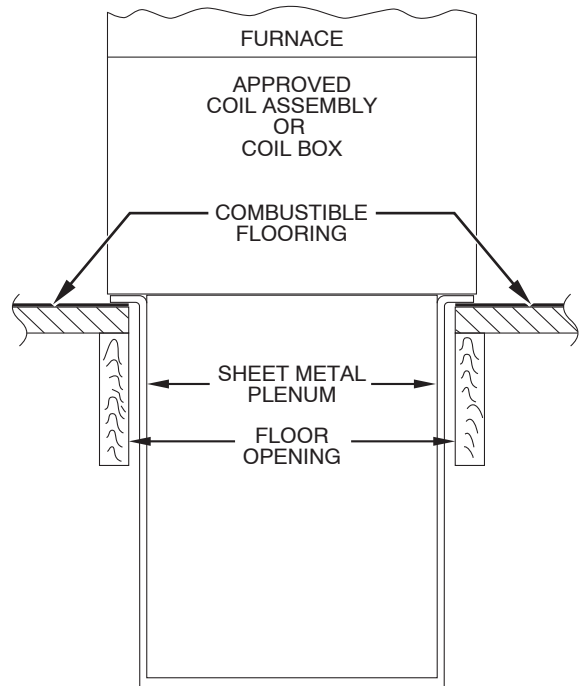
These furnaces are shipped with bottom closure panel installed in bottom return-air opening. This panel MUST be in place when side return air inlet(s) are used without a bottom return air inlet.

Not all horizontal furnaces are approved for side return air connections (See Fig. 20.)



A96285

**Fig. 12 - Furnace, Plenum, and Subbase Installed on a Combustible Floor**



A08556

**Fig. 13 - Furnace, Plenum, and Coil Assembly or Coil Box Installed on a Combustible Floor**

**Table 3 – Opening Dimensions - In. (mm)**

| FURNACE CASING WIDTH | APPLICATION  | PLENUM OPENING |              | FLOOR OPENING |              |
|----------------------|--|----------------|--------------|---------------|--------------|
|                      |  | A              | B            | C             | D            |
| 14-3/16 (360)        | Upflow Applications on Combustible or Noncombustible Flooring (subbase not required) | 12-11/16 (322) | 21-5/8 (549) | 13-5/16 (338) | 22-1/4 (565) |
|                      | Downflow Applications on Noncombustible Flooring (subbase not required)              | 12-9/16 (319)  | 19 (483)     | 13-3/16 (335) | 19-5/8 (498) |
|                      | Downflow Applications on Combustible Flooring (subbase required)                     | 11-13/16 (284) | 19 (483)     | 13-7/16 (341) | 20-5/8 (600) |
|                      | Downflow Applications on Combustible Flooring with Cased Coil (subbase not required) | 12-5/16 (319)  | 19 (483)     | 13-5/16 (338) | 20 (508)     |
| 17-1/2 (445)         | Upflow Applications on Combustible or Noncombustible Flooring (subbase not required) | 16 (406)       | 21-5/8 (549) | 16-5/8 (422)  | 22-1/4 (565) |
|                      | Downflow Applications on Noncombustible Flooring (subbase not required)              | 15-7/8 (403)   | 19 (483)     | 16-1/2 (419)  | 19-5/8 (498) |
|                      | Downflow Applications on Combustible Flooring (subbase required)                     | 15-1/8 (384)   | 19 (483)     | 16-3/4 (425)  | 20-5/8 (600) |
|                      | Downflow Applications on Combustible Flooring with Cased Coil (subbase not required) | 15-1/2 (394)   | 19 (483)     | 16-1/2 (419)  | 20 (508)     |
| 21 (533)             | Upflow Applications on Combustible or Noncombustible Flooring (subbase not required) | 19-1/2 (495)   | 21-5/8 (549) | 20-1/8 (511)  | 22-1/4 (565) |
|                      | Downflow Applications on Noncombustible Flooring (subbase not required)              | 19-3/8 (492)   | 19 (483)     | 20 (508)      | 19-5/8 (498) |
|                      | Downflow Applications on Combustible Flooring (subbase required)                     | 18-5/8 (473)   | 19 (483)     | 20-1/4 (514)  | 20-5/8 (600) |
|                      | Downflow Applications on Combustible Flooring with Cased Coil (subbase not required) | 19 (483)       | 19 (483)     | 20 (508)      | 20 (508)     |
| 24-1/2 (622)         | Upflow Applications on Combustible or Noncombustible Flooring (subbase not required) | 23 (584)       | 21-1/8 (537) | 23-5/8 (600)  | 22-1/4 (565) |
|                      | Downflow Applications on Noncombustible Flooring (subbase not required)              | 22-7/8 (581)   | 19 (483)     | 23-1/2 (597)  | 19-5/8 (498) |
|                      | Downflow Applications on Combustible Flooring (subbase required)                     | 22-1/8 (562)   | 19 (483)     | 23-3/4 (603)  | 20-5/8 (600) |
|                      | Downflow Applications on Combustible Flooring with Cased Coil (subbase not required) | 22-1/2 (572)   | 19 (483)     | 23-1/2 (597)  | 20 (508)     |

**Filter Arrangement**

**⚠ WARNING**

**CARBON MONOXIDE POISONING HAZARD**

Failure to follow this warning could result in personal injury, or death.

Never operate a furnace without a filter or with filter access door removed.

There are no provisions for an internal filter rack in these furnaces. A field-supplied accessory external filter rack is required.

Refer to the instructions supplied with the external filter rack for assembly and installation options.

**AIR DUCTS**

**General Requirements**

The duct system should be designed and sized according to accepted national standards such as those published by: Air Conditioning Contractors Association (ACCA), Sheet Metal and Air Conditioning Contractors National Association (SMACNA) or American Society of Heating, Refrigerating and Air Conditioning Engineers (ASHRAE) or consult *The Air Systems Design Guidelines* reference tables available from your local distributor. The duct system should be sized to handle the required system design CFM at the design external static pressure. The furnace airflow rates are provided in Table 4-Air Delivery-CFM (With Filter). When a furnace is installed so that the supply ducts carry air circulated by the furnace to areas outside the space containing the furnace, the return air shall also be handled by duct(s) sealed to the furnace casing and terminating outside the space containing the furnace.

Secure ductwork with proper fasteners for type of ductwork used. Seal supply- and return-duct connections to furnace with code approved tape or duct sealer.

**NOTE:** Flexible connections should be used between ductwork and furnace to prevent transmission of vibration.

Ductwork passing through unconditioned space should be insulated to enhance system performance. When air conditioning is used, a vapor barrier is recommended.

Maintain a 1-in. (25 mm) clearance from combustible materials to supply air ductwork for a distance of 36-in. (914 mm) horizontally from the furnace. See NFPA 90B or local code for further requirements.

**Ductwork Acoustical Treatment**

**NOTE:** Metal duct systems that do not have a 90 degree elbow and 10 ft. (3 M) of main duct to the first branch take-off may require internal acoustical lining. As an alternative, fibrous ductwork may be used if constructed and installed in accordance with the latest edition of SMACNA construction standard on fibrous glass ducts. Both acoustical lining and fibrous ductwork shall comply with NFPA 90B as tested by UL Standard 181 for Class 1 Rigid air ducts.

**Supply Air Connections**

For a furnace not equipped with a cooling coil, the outlet duct shall be provided with a removable access panel. This opening shall be accessible when the furnace is installed and shall be of such a size that the heat exchanger can be viewed for possible openings using light assistance or a probe can be inserted for sampling the air stream. The cover attachment shall prevent leaks.

**Upflow and Horizontal Furnaces**

Connect supply-air duct to flanges on furnace supply-air outlet. Bend flange upward to 90° with wide duct pliers. (See Fig. 14.)

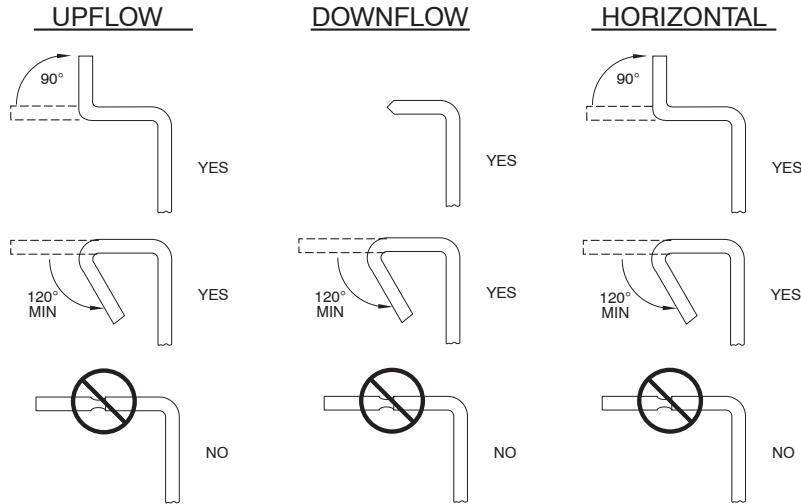
The supply-air duct must be connected to **ONLY** the furnace supply-outlet-air duct flanges or air conditioning coil casing (when used). **DO NOT** cut main furnace casing side to attach supply air duct, humidifier, or other accessories. All accessories **MUST** be connected to duct external to furnace main casing.

**NOTE:** For horizontal applications, the top most flange may be bent past 90° to allow the evaporator coil to hang on the flange temporarily while the remaining attachment and sealing of the coil are performed.

**Downflow Furnaces**

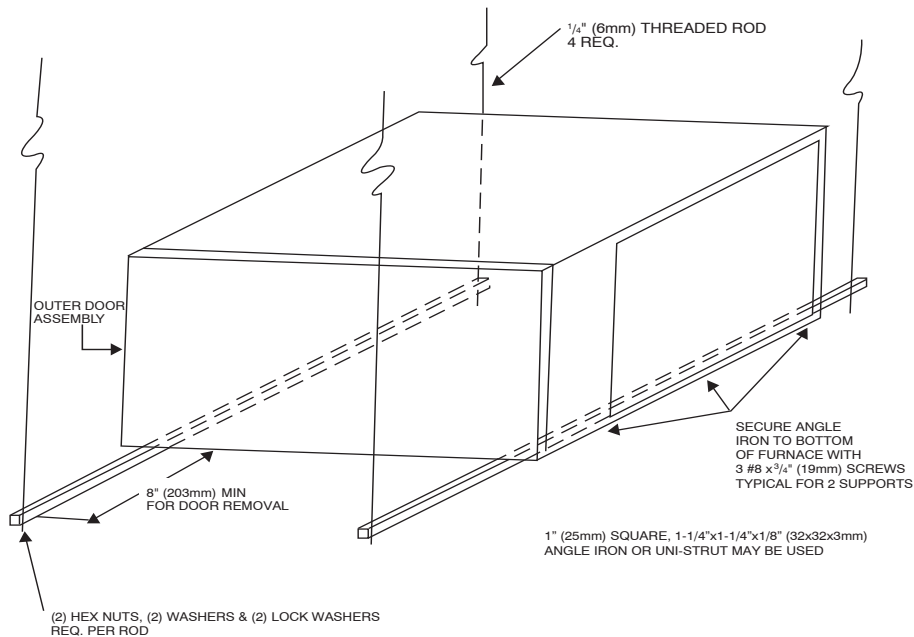
Connect supply-air duct to supply-air outlet on furnace. Bend flange inward past 90° with wide duct pliers (See Fig. 14.) The

supply-air duct must be connected to **ONLY** the furnace supply outlet or air conditioning coil casing (when used). When installed on combustible material, supply-air duct must be connected to **ONLY** the factory-approved accessory subbase, or a factory-approved air conditioning coil casing. **DO NOT** cut main furnace casing to attach supply side air duct, humidifier, or other accessories. All accessories **MUST** be connected to duct external to furnace casing.



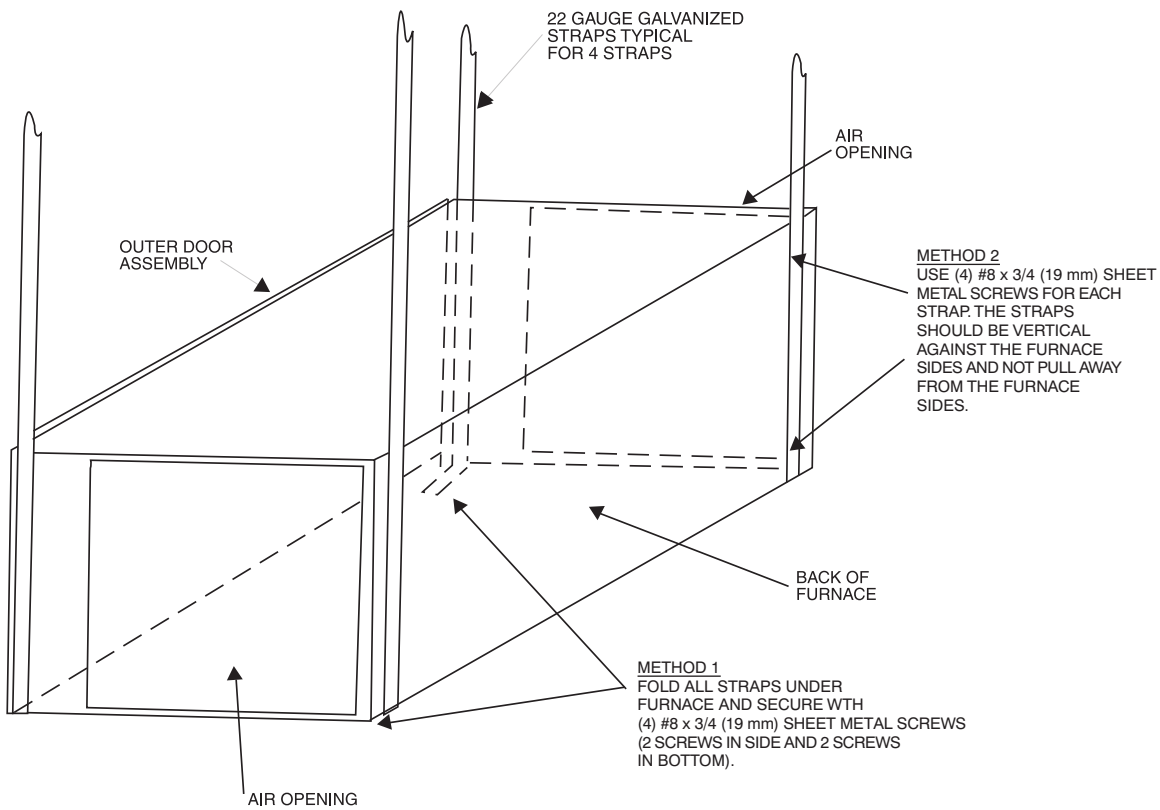
**Fig. 14 - Duct Flanges**

A02020



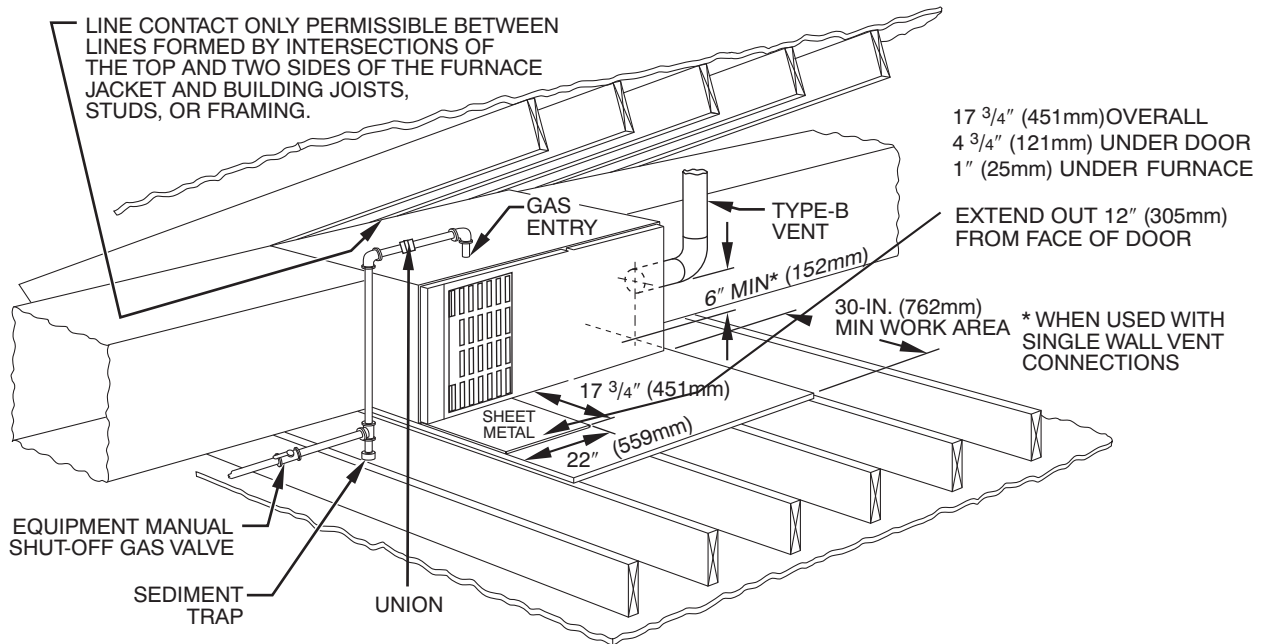
**Fig. 15 - Horizontal Unit Suspension**

A10130



A10131

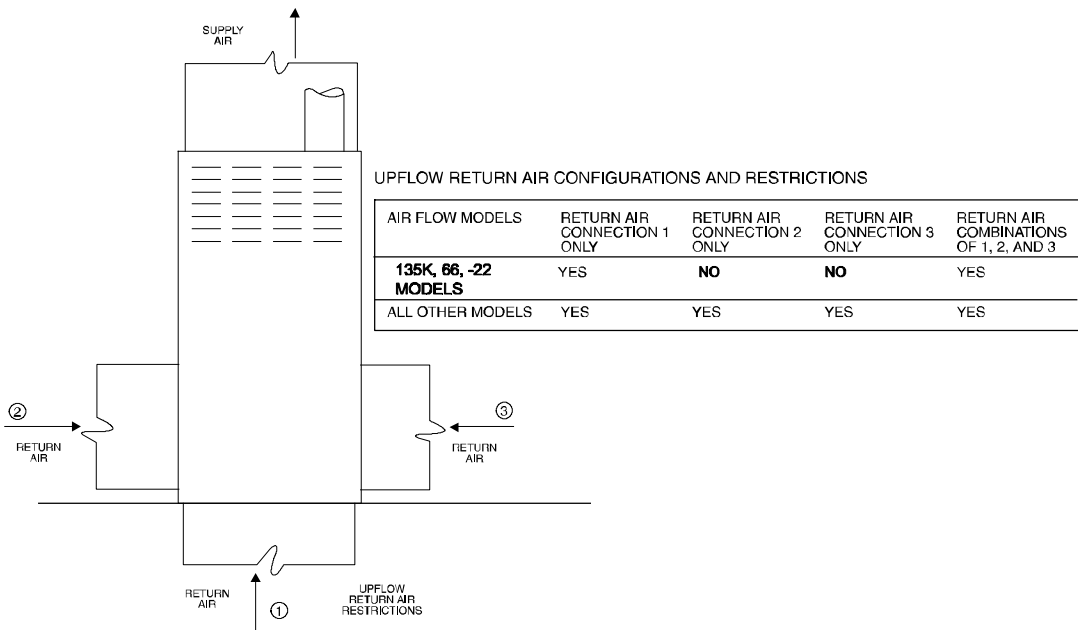
Fig. 16 - Horizontal Suspension with Straps



A10164

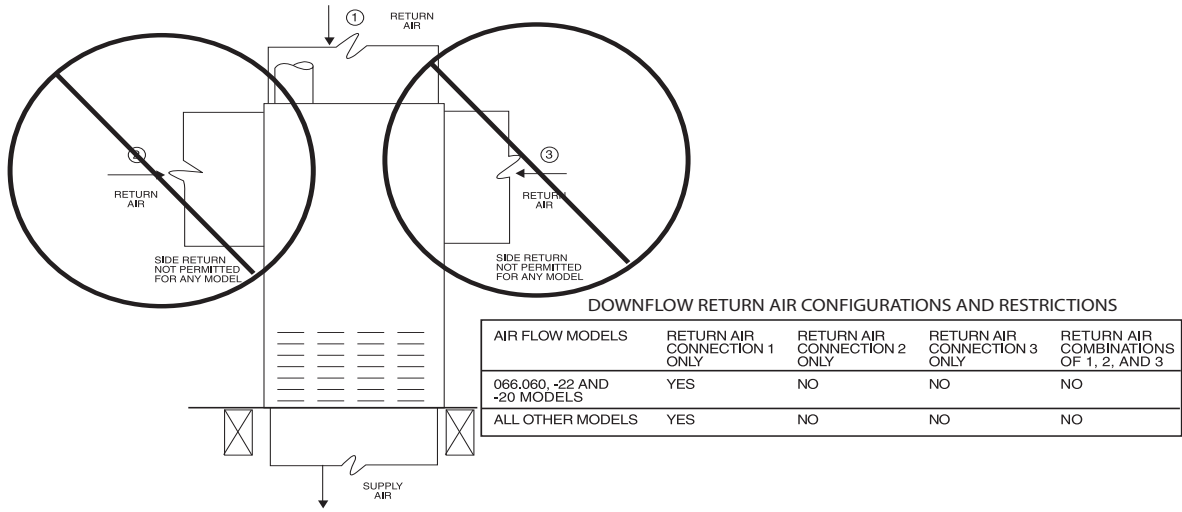
Fig. 17 - Typical Attic Installation





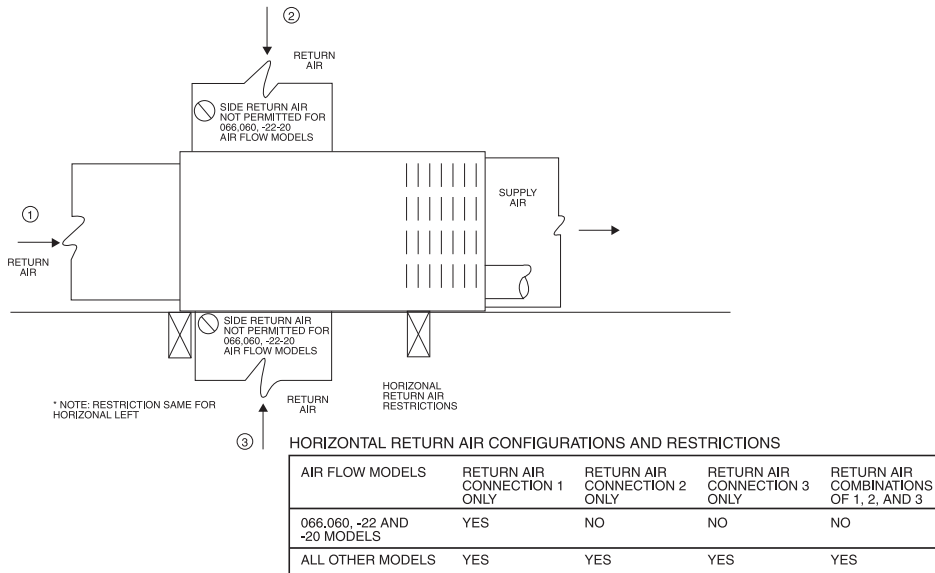
**Fig. 18 - Upflow Return Air Configurations and Restrictions**

A190054



**Fig. 19 - Downflow Return Air Configurations and Restrictions**

A02163



**Fig. 20 - Horizontal Return Air Configurations and Restrictions**

A02162

Table 4 – Air Delivery - CFM (With Filter)\*

| COOLING <sup>4</sup> AND HEATING AIR DELIVERY - CFM (Bottom Return <sup>5</sup> With Filter)<br>(SW1-5 and SW2-2 set to OFF, except as indicated. See notes 1 and 2.) |                                  |       |       |                                |      |      |      |      |      |      |            |            |     |
|---|----------------------------------|-------|-------|--------------------------------|------|------|------|------|------|------|------------|------------|-----|
| Unit Size: 36045V14   | Clg/CF Switch settings           |       |       | External Static Pressure (ESP) |      |      |      |      |      |      |            |            |     |
| Clg Switches:   | SW2-8                            | SW2-7 | SW2-6 | 0.1                            | 0.2  | 0.3  | 0.4  | 0.5  | 0.6  | 0.7  | 0.8        | 0.9        | 1.0 |
| Clg Default:  | OFF                              | OFF   | OFF   | 1190                           | 1140 | 1100 | 1065 | 1020 | 985  | 905  | 800        | 665        | 525 |
| Cooling<br>(SW2-8,7,6)  | OFF                              | OFF   | ON    | 620                            | 560  | 520  | 455  | 410  | 355  | 305  | 255        | See note 4 |     |
|   | OFF                              | ON    | OFF   | 795                            | 755  | 705  | 670  | 615  | 585  | 530  | 490        | 440        | 405 |
|   | OFF                              | ON    | ON    | 1020                           | 955  | 930  | 890  | 840  | 805  | 755  | 715        | 645        | 490 |
|   | ON                               | OFF   | OFF   | 1190                           | 1140 | 1100 | 1065 | 1020 | 985  | 905  | 800        | 665        | 525 |
|   | ON                               | OFF   | ON    | 1455                           | 1390 | 1325 | 1255 | 1175 | 1085 | 1000 | 880        | 755        | 575 |
|   | ON                               | ON    | OFF   | 1455                           | 1390 | 1325 | 1255 | 1175 | 1085 | 1000 | 880        | 755        | 575 |
|   | ON                               | ON    | ON    | 1455                           | 1390 | 1325 | 1255 | 1175 | 1085 | 1000 | 880        | 755        | 575 |
|   | Maximum Clg Airflow <sup>2</sup> |       |       | 1455                           | 1390 | 1325 | 1255 | 1175 | 1085 | 1000 | 880        | 755        | 575 |
| CF Switches   | SW2-5                            | SW2-4 | SW2-3 |                                |      |      |      |      |      |      |            |            |     |
| Low-Clg Default:  | OFF                              | OFF   | OFF   | 620                            | 560  | 520  | 455  | 410  | 355  | 305  | 255        | See note 4 |     |
| Low-Cooling<br>(SW2-5,4,3)  | OFF                              | OFF   | ON    | 620                            | 560  | 520  | 455  | 410  | 355  | 305  | 255        | See note 4 |     |
|   | OFF                              | ON    | OFF   | 795                            | 755  | 705  | 670  | 615  | 585  | 530  | 490        | 440        | 405 |
|   | OFF                              | ON    | ON    | 1020                           | 955  | 930  | 890  | 840  | 805  | 755  | 715        | 645        | 490 |
|   | ON                               | OFF   | OFF   | 1190                           | 1140 | 1100 | 1065 | 1020 | 985  | 905  | 800        | 665        | 525 |
|   | ON                               | OFF   | ON    | 1455                           | 1390 | 1325 | 1255 | 1175 | 1085 | 1000 | 880        | 755        | 575 |
|   | ON                               | ON    | OFF   | 1455                           | 1390 | 1325 | 1255 | 1175 | 1085 | 1000 | 880        | 755        | 575 |
|   | ON                               | ON    | ON    | 1455                           | 1390 | 1325 | 1255 | 1175 | 1085 | 1000 | 880        | 755        | 575 |
| Cont. Fan Default:  | OFF                              | OFF   | OFF   | 620                            | 560  | 520  | 455  | 410  | 355  | 305  | 255        | See note 4 |     |
| Continuous Fan<br>(SW2-5,4,3)   | OFF                              | OFF   | ON    | 620                            | 560  | 520  | 455  | 410  | 355  | 305  | 255        | See note 4 |     |
|   | OFF                              | ON    | OFF   | 795                            | 755  | 705  | 670  | 615  | 585  | 530  | 490        | 440        | 405 |
|   | OFF                              | ON    | ON    | 1020                           | 955  | 930  | 890  | 840  | 805  | 755  | 715        | 645        | 490 |
|   | ON                               | OFF   | OFF   | 1020                           | 955  | 930  | 890  | 840  | 805  | 755  | 715        | 645        | 490 |
|   | ON                               | OFF   | ON    | 1020                           | 955  | 930  | 890  | 840  | 805  | 755  | 715        | 645        | 490 |
|   | ON                               | ON    | OFF   | 1020                           | 955  | 930  | 890  | 840  | 805  | 755  | 715        | 645        | 490 |
|   | ON                               | ON    | ON    | 1020                           | 955  | 930  | 890  | 840  | 805  | 755  | 715        | 645        | 490 |
| Heating<br>(SW1)  | High Heat Airflow <sup>3</sup>   |       |       | 915                            | 860  | 825  | 790  | 735  | 700  | 650  | 610        | 550        | 450 |
|   | Low Heat Airflow <sup>3</sup>    |       |       | 780                            | 730  | 685  | 635  | 585  | 545  | 495  | 450        | 400        | 370 |
|   |                                  |       |       |                                |      |      |      |      |      |      |            |            |     |
| Unit Size: 36070V14   | Clg/CF Switch settings           |       |       | External Static Pressure (ESP) |      |      |      |      |      |      |            |            |     |
| Clg Switches:   | SW2-8                            | SW2-7 | SW2-6 | 0.1                            | 0.2  | 0.3  | 0.4  | 0.5  | 0.6  | 0.7  | 0.8        | 0.9        | 1.0 |
| Clg Default:  | OFF                              | OFF   | OFF   | 1155                           | 1125 | 1095 | 1065 | 1035 | 1005 | 975  | 950        | 915        | 875 |
| Cooling<br>(SW2-8,7,6)  | OFF                              | OFF   | ON    | 605                            | 555  | 500  | 440  | 375  | 320  | 265  | See note 4 |            |     |
|   | OFF                              | ON    | OFF   | 775                            | 735  | 690  | 650  | 600  | 550  | 500  | 450        | 405        | 365 |
|   | OFF                              | ON    | ON    | 980                            | 950  | 915  | 880  | 845  | 810  | 775  | 735        | 695        | 655 |
|   | ON                               | OFF   | OFF   | 1155                           | 1125 | 1095 | 1065 | 1035 | 1005 | 975  | 950        | 915        | 875 |
|   | ON                               | OFF   | ON    | 1370                           | 1340 | 1310 | 1285 | 1260 | 1235 | 1210 | 1140       | 1025       | 880 |
|   | ON                               | ON    | OFF   | 1505                           | 1480 | 1455 | 1420 | 1380 | 1335 | 1250 | 1155       | 1045       | 900 |
|   | ON                               | ON    | ON    | 1505                           | 1480 | 1455 | 1420 | 1380 | 1335 | 1250 | 1155       | 1045       | 900 |
|   | Maximum Clg Airflow <sup>2</sup> |       |       | 1505                           | 1480 | 1455 | 1420 | 1380 | 1335 | 1250 | 1155       | 1045       | 900 |
| CF Switches   | SW2-5                            | SW2-4 | SW2-3 |                                |      |      |      |      |      |      |            |            |     |
| Low-Clg Default:  | OFF                              | OFF   | OFF   | 605                            | 555  | 500  | 440  | 375  | 320  | 265  | See note 4 |            |     |
| Low-Cooling<br>(SW2-5,4,3)  | OFF                              | OFF   | ON    | 605                            | 555  | 500  | 440  | 375  | 320  | 265  | See note 4 |            |     |
|   | OFF                              | ON    | OFF   | 775                            | 735  | 690  | 650  | 600  | 550  | 500  | 450        | 405        | 365 |
|   | OFF                              | ON    | ON    | 980                            | 950  | 915  | 880  | 845  | 810  | 775  | 735        | 695        | 655 |
|   | ON                               | OFF   | OFF   | 1155                           | 1125 | 1095 | 1065 | 1035 | 1005 | 975  | 950        | 915        | 875 |
|   | ON                               | OFF   | ON    | 1370                           | 1340 | 1310 | 1285 | 1260 | 1235 | 1210 | 1140       | 1025       | 880 |
|   | ON                               | ON    | OFF   | 1505                           | 1480 | 1455 | 1420 | 1380 | 1335 | 1250 | 1155       | 1045       | 900 |
|   | ON                               | ON    | ON    | 1505                           | 1480 | 1455 | 1420 | 1380 | 1335 | 1250 | 1155       | 1045       | 900 |
| Cont. Fan Default:  | OFF                              | OFF   | OFF   | 605                            | 555  | 500  | 440  | 375  | 320  | 265  | See note 4 |            |     |
| Continuous Fan<br>(SW2-5,4,3)   | OFF                              | OFF   | ON    | 605                            | 555  | 500  | 440  | 375  | 320  | 265  | See note 4 |            |     |
|   | OFF                              | ON    | OFF   | 775                            | 735  | 690  | 650  | 600  | 550  | 500  | 450        | 405        | 365 |
|   | OFF                              | ON    | ON    | 980                            | 950  | 915  | 880  | 845  | 810  | 775  | 735        | 695        | 655 |
|   | ON                               | OFF   | OFF   | 1155                           | 1125 | 1095 | 1065 | 1035 | 1005 | 975  | 950        | 915        | 875 |
|   | ON                               | OFF   | ON    | 1370                           | 1340 | 1310 | 1285 | 1260 | 1235 | 1210 | 1140       | 1025       | 880 |
|   | ON                               | ON    | OFF   | 1370                           | 1340 | 1310 | 1285 | 1260 | 1235 | 1210 | 1140       | 1025       | 880 |
|   | ON                               | ON    | ON    | 1370                           | 1340 | 1310 | 1285 | 1260 | 1235 | 1210 | 1140       | 1025       | 880 |
| Heating<br>(SW1)  | High Heat Airflow <sup>3</sup>   |       |       | 1190                           | 1160 | 1130 | 1100 | 1070 | 1045 | 1015 | 985        | 955        | 900 |
|   | Low Heat Airflow <sup>3</sup>    |       |       | 725                            | 680  | 635  | 585  | 530  | 475  | 425  | 375        | 330        | 285 |

**Table 4 - Air Delivery - CFM (With Filter)\* (CONTINUED)**

| <b>COOLING<sup>4</sup> AND HEATING AIR DELIVERY - CFM (Bottom Return<sup>5</sup> With Filter)</b> |                                  |              |              |                                       |            |            |            |            |            |            |            |            |            |
|---|----------------------------------|--------------|--------------|---------------------------------------|------------|------------|------------|------------|------------|------------|------------|------------|------------|
| <b>(SW1-5 and SW2-2 set to OFF, except as indicated. See notes 1 and 2.)</b>                      |                                  |              |              |                                       |            |            |            |            |            |            |            |            |            |
| <b>Unit Size: 48070V17</b>  | <b>Clg/CF Switch settings</b>    |              |              | <b>External Static Pressure (ESP)</b> |            |            |            |            |            |            |            |            |            |
| <b>Clg Switches:</b>  | <b>SW2-8</b>                     | <b>SW2-7</b> | <b>SW2-6</b> | <b>0.1</b>                            | <b>0.2</b> | <b>0.3</b> | <b>0.4</b> | <b>0.5</b> | <b>0.6</b> | <b>0.7</b> | <b>0.8</b> | <b>0.9</b> | <b>1.0</b> |
| <b>Clg Default:</b>   | OFF                              | OFF          | OFF          | 1600                                  | 1570       | 1535       | 1500       | 1465       | 1430       | 1400       | 1365       | 1335       | 1300       |
| Cooling<br>(SW2-8,7,6)  | OFF                              | OFF          | ON           | 590                                   | 520        | 440        | 365        | 300        | 235        | See note 4 |            |            |            |
|   | OFF                              | ON           | OFF          | 790                                   | 730        | 670        | 610        | 550        | 485        | 430        | 380        | 330        | 275        |
|   | OFF                              | ON           | ON           | 1025                                  | 980        | 930        | 880        | 835        | 785        | 735        | 690        | 635        | 590        |
|   | ON                               | OFF          | OFF          | 1230                                  | 1190       | 1150       | 1105       | 1065       | 1025       | 980        | 940        | 900        | 860        |
|   | ON                               | OFF          | ON           | 1390                                  | 1355       | 1315       | 1280       | 1240       | 1200       | 1165       | 1125       | 1090       | 1055       |
|   | ON                               | ON           | OFF          | 1600                                  | 1570       | 1535       | 1500       | 1465       | 1430       | 1400       | 1365       | 1335       | 1300       |
|   | ON                               | ON           | ON           | 1855                                  | 1830       | 1800       | 1770       | 1740       | 1695       | 1645       | 1600       | 1520       | 1415       |
|   | Maximum Clg Airflow <sup>2</sup> |              |              | 1855                                  | 1830       | 1800       | 1770       | 1740       | 1695       | 1645       | 1600       | 1520       | 1415       |
| <b>CF Switches</b>  | <b>SW2-5</b>                     | <b>SW2-4</b> | <b>SW2-3</b> |                                       |            |            |            |            |            |            |            |            |            |
| <b>Low-Clg Default:</b>   | OFF                              | OFF          | OFF          | 590                                   | 520        | 440        | 365        | 300        | 235        | See note 4 |            |            |            |
| Low-Cooling<br>(SW2-5,4,3)  | OFF                              | OFF          | ON           | 590                                   | 520        | 440        | 365        | 300        | 235        | See note 4 |            |            |            |
|   | OFF                              | ON           | OFF          | 790                                   | 730        | 670        | 610        | 550        | 485        | 430        | 380        | 330        | 275        |
|   | OFF                              | ON           | ON           | 1025                                  | 980        | 930        | 880        | 835        | 785        | 735        | 690        | 635        | 590        |
|   | ON                               | OFF          | OFF          | 1230                                  | 1190       | 1150       | 1105       | 1065       | 1025       | 980        | 940        | 900        | 860        |
|   | ON                               | OFF          | ON           | 1390                                  | 1355       | 1315       | 1280       | 1240       | 1200       | 1165       | 1125       | 1090       | 1055       |
|   | ON                               | ON           | OFF          | 1600                                  | 1570       | 1535       | 1500       | 1465       | 1430       | 1400       | 1365       | 1335       | 1300       |
|   | ON                               | ON           | ON           | 1855                                  | 1830       | 1800       | 1770       | 1740       | 1695       | 1645       | 1600       | 1520       | 1415       |
|   | Maximum Clg Airflow <sup>2</sup> |              |              | 1855                                  | 1830       | 1800       | 1770       | 1740       | 1695       | 1645       | 1600       | 1520       | 1415       |
| <b>Cont. Fan Default:</b>   | OFF                              | OFF          | OFF          | 590                                   | 520        | 440        | 365        | 300        | 235        | See note 4 |            |            |            |
| Continuous Fan<br>(SW2-5,4,3)   | OFF                              | OFF          | ON           | 590                                   | 520        | 440        | 365        | 300        | 235        | See note 4 |            |            |            |
|   | OFF                              | ON           | OFF          | 685                                   | 625        | 565        | 505        | 445        | 385        | 325        | 265        | See note 4 |            |
|   | OFF                              | ON           | ON           | 790                                   | 730        | 670        | 610        | 550        | 485        | 430        | 380        | 330        | 275        |
|   | ON                               | OFF          | OFF          | 790                                   | 730        | 670        | 610        | 550        | 485        | 430        | 380        | 330        | 275        |
|   | ON                               | OFF          | ON           | 790                                   | 730        | 670        | 610        | 550        | 485        | 430        | 380        | 330        | 275        |
|   | ON                               | ON           | OFF          | 790                                   | 730        | 670        | 610        | 550        | 485        | 430        | 380        | 330        | 275        |
|   | ON                               | ON           | ON           | 790                                   | 730        | 670        | 610        | 550        | 485        | 430        | 380        | 330        | 275        |
|   | Maximum Clg Airflow <sup>2</sup> |              |              | 790                                   | 730        | 670        | 610        | 550        | 485        | 430        | 380        | 330        | 275        |
| Heating<br>(SW1)  | High Heat Airflow <sup>3</sup>   |              |              | 1410                                  | 1375       | 1340       | 1300       | 1260       | 1225       | 1190       | 1155       | 1120       | 1085       |
|   | Low Heat Airflow <sup>3</sup>    |              |              | 1235                                  | 1195       | 1155       | 1110       | 1070       | 1025       | 985        | 945        | 905        | 865        |
| <b>Unit Size: 48090V17</b>  | <b>Clg/CF Switch settings</b>    |              |              | <b>External Static Pressure (ESP)</b> |            |            |            |            |            |            |            |            |            |
| <b>Clg Switches:</b>  | <b>SW2-8</b>                     | <b>SW2-7</b> | <b>SW2-6</b> | <b>0.1</b>                            | <b>0.2</b> | <b>0.3</b> | <b>0.4</b> | <b>0.5</b> | <b>0.6</b> | <b>0.7</b> | <b>0.8</b> | <b>0.9</b> | <b>1.0</b> |
| <b>Clg Default:</b>   | OFF                              | OFF          | OFF          | 1560                                  | 1520       | 1485       | 1450       | 1415       | 1380       | 1340       | 1300       | 1260       | 1115       |
| Cooling<br>(SW2-8,7,6)  | OFF                              | OFF          | ON           | 680                                   | 605        | 495        | 415        | 345        | 275        | See note 4 |            |            |            |
|   | OFF                              | ON           | OFF          | 835                                   | 770        | 700        | 600        | 535        | 465        | 410        | 350        | 285        | 240        |
|   | OFF                              | ON           | ON           | 1035                                  | 980        | 930        | 870        | 795        | 720        | 665        | 605        | 555        | 505        |
|   | ON                               | OFF          | OFF          | 1210                                  | 1165       | 1125       | 1080       | 1030       | 975        | 905        | 845        | 790        | 740        |
|   | ON                               | OFF          | ON           | 1375                                  | 1335       | 1300       | 1260       | 1220       | 1175       | 1125       | 1075       | 1010       | 955        |
|   | ON                               | ON           | OFF          | 1560                                  | 1520       | 1485       | 1450       | 1415       | 1380       | 1340       | 1300       | 1260       | 1115       |
|   | ON                               | ON           | ON           | 1640                                  | 1605       | 1570       | 1540       | 1505       | 1470       | 1435       | 1390       | 1325       | 1110       |
|   | Maximum Clg Airflow <sup>2</sup> |              |              | 1640                                  | 1605       | 1570       | 1540       | 1505       | 1470       | 1435       | 1390       | 1325       | 1110       |
| <b>CF Switches</b>  | <b>SW2-5</b>                     | <b>SW2-4</b> | <b>SW2-3</b> |                                       |            |            |            |            |            |            |            |            |            |
| <b>Low-Clg Default:</b>   | OFF                              | OFF          | OFF          | 680                                   | 605        | 495        | 415        | 345        | 275        | See note 4 |            |            |            |
| Low-Cooling<br>(SW2-5,4,3)  | OFF                              | OFF          | ON           | 680                                   | 605        | 495        | 415        | 345        | 275        | See note 4 |            |            |            |
|   | OFF                              | ON           | OFF          | 835                                   | 770        | 700        | 600        | 535        | 465        | 410        | 350        | 285        | 240        |
|   | OFF                              | ON           | ON           | 1035                                  | 980        | 930        | 870        | 795        | 720        | 665        | 605        | 555        | 505        |
|   | ON                               | OFF          | OFF          | 1210                                  | 1165       | 1125       | 1080       | 1030       | 975        | 905        | 845        | 790        | 740        |
|   | ON                               | OFF          | ON           | 1375                                  | 1335       | 1300       | 1260       | 1220       | 1175       | 1125       | 1075       | 1010       | 955        |
|   | ON                               | ON           | OFF          | 1560                                  | 1520       | 1485       | 1450       | 1415       | 1380       | 1340       | 1300       | 1260       | 1115       |
|   | ON                               | ON           | ON           | 1640                                  | 1605       | 1570       | 1540       | 1505       | 1470       | 1435       | 1390       | 1325       | 1110       |
|   | Maximum Clg Airflow <sup>2</sup> |              |              | 1640                                  | 1605       | 1570       | 1540       | 1505       | 1470       | 1435       | 1390       | 1325       | 1110       |
| <b>Cont. Fan Default:</b>   | OFF                              | OFF          | OFF          | 680                                   | 605        | 495        | 415        | 345        | 275        | See note 4 |            |            |            |
| Continuous Fan<br>(SW2-5,4,3)   | OFF                              | OFF          | ON           | 680                                   | 605        | 495        | 415        | 345        | 275        | See note 4 |            |            |            |
|   | OFF                              | ON           | OFF          | 835                                   | 770        | 700        | 600        | 535        | 465        | 410        | 350        | 285        | 240        |
|   | OFF                              | ON           | ON           | 1035                                  | 980        | 930        | 870        | 795        | 720        | 665        | 605        | 555        | 505        |
|   | ON                               | OFF          | OFF          | 1210                                  | 1165       | 1125       | 1080       | 1030       | 975        | 905        | 845        | 790        | 740        |
|   | ON                               | OFF          | ON           | 1375                                  | 1335       | 1300       | 1260       | 1220       | 1175       | 1125       | 1075       | 1010       | 955        |
|   | ON                               | ON           | OFF          | 1560                                  | 1520       | 1485       | 1450       | 1415       | 1380       | 1340       | 1300       | 1260       | 1115       |
|   | ON                               | ON           | ON           | 1640                                  | 1605       | 1570       | 1540       | 1505       | 1470       | 1435       | 1390       | 1325       | 1110       |
|   | Maximum Clg Airflow <sup>2</sup> |              |              | 1640                                  | 1605       | 1570       | 1540       | 1505       | 1470       | 1435       | 1390       | 1325       | 1110       |
| Heating<br>(SW1)  | High Heat Airflow <sup>3</sup>   |              |              | 1400                                  | 1360       | 1325       | 1285       | 1245       | 1200       | 1155       | 1110       | 1045       | 995        |
|   | Low Heat Airflow <sup>3</sup>    |              |              | 1035                                  | 980        | 930        | 870        | 795        | 720        | 665        | 605        | 555        | 505        |

**Table 4 - Air Delivery - CFM (With Filter)\* (CONTINUED)**

| <b>COOLING<sup>4</sup> AND HEATING AIR DELIVERY - CFM (Bottom Return<sup>5</sup> With Filter)</b> |                                  |       |       |                                       |      |            |      |      |            |      |            |            |      |
|---|----------------------------------|-------|-------|---------------------------------------|------|------------|------|------|------------|------|------------|------------|------|
| <b>(SW1-5 and SW2-2 set to OFF, except as indicated. See notes 1 and 2.)</b>                      |                                  |       |       |                                       |      |            |      |      |            |      |            |            |      |
| <b>Unit Size: 60090V21</b>  | <b>Clg/CF Switch settings</b>    |       |       | <b>External Static Pressure (ESP)</b> |      |            |      |      |            |      |            |            |      |
| Clg Switches:   | SW2-8                            | SW2-7 | SW2-6 | 0.1                                   | 0.2  | 0.3        | 0.4  | 0.5  | 0.6        | 0.7  | 0.8        | 0.9        | 1.0  |
| Clg Default:  | OFF                              | OFF   | OFF   | 1985                                  | 1935 | 1885       | 1835 | 1785 | 1735       | 1685 | 1630       | 1583       | 1532 |
| Cooling<br>(SW2-8,7,6)  | OFF                              | OFF   | ON    | 860                                   | 755  | 650        | 545  | 445  | 350        | 235  | See note 4 |            |      |
|   | OFF                              | ON    | OFF   | 1085                                  | 1000 | 910        | 830  | 735  | 655        | 565  | 485        | 405        | 310  |
|   | OFF                              | ON    | ON    | 1255                                  | 1180 | 1105       | 1025 | 950  | 870        | 790  | 715        | 640        | 570  |
|   | ON                               | OFF   | OFF   | 1425                                  | 1355 | 1290       | 1220 | 1150 | 1085       | 1015 | 940        | 870        | 800  |
|   | ON                               | OFF   | ON    | 1630                                  | 1575 | 1515       | 1455 | 1395 | 1330       | 1270 | 1210       | 1155       | 1090 |
|   | ON                               | ON    | OFF   | 1985                                  | 1935 | 1885       | 1835 | 1785 | 1735       | 1685 | 1630       | 1583       | 1532 |
|   | ON                               | ON    | ON    | 2100                                  | 2055 | 2010       | 1960 | 1915 | 1870       | 1820 | 1775       | 1715       | 1640 |
|   | Maximum Clg Airflow <sup>2</sup> |       |       | 2100                                  | 2055 | 2010       | 1960 | 1915 | 1870       | 1820 | 1775       | 1715       | 1640 |
| CF Switches   | SW2-5                            | SW2-4 | SW2-3 |                                       |      |            |      |      |            |      |            |            |      |
| Low-Clg Default:  | OFF                              | OFF   | OFF   | 860                                   | 755  | 650        | 545  | 445  | 350        | 235  | See note 4 |            |      |
| Low-Cooling<br>(SW2-5,4,3)  | OFF                              | OFF   | ON    | 700                                   | 575  | 455        | 345  | 225  | See note 4 |      |            |            |      |
|   | OFF                              | ON    | OFF   | 860                                   | 755  | 650        | 545  | 445  | 350        | 235  | See note 4 |            |      |
|   | OFF                              | ON    | ON    | 1085                                  | 1000 | 910        | 830  | 735  | 655        | 565  | 485        | 405        | 310  |
|   | ON                               | OFF   | OFF   | 1255                                  | 1180 | 1105       | 1025 | 950  | 870        | 790  | 715        | 640        | 570  |
|   | ON                               | OFF   | ON    | 1425                                  | 1355 | 1290       | 1220 | 1150 | 1085       | 1015 | 940        | 870        | 800  |
|   | ON                               | ON    | OFF   | 1630                                  | 1575 | 1515       | 1455 | 1395 | 1330       | 1270 | 1210       | 1155       | 1090 |
|   | ON                               | ON    | ON    | 1985                                  | 1935 | 1885       | 1835 | 1785 | 1735       | 1685 | 1630       | 1583       | 1532 |
| Cont. Fan Default:  | OFF                              | OFF   | OFF   | 860                                   | 755  | 650        | 545  | 445  | 350        | 235  | See note 4 |            |      |
| Continuous Fan<br>(SW2-5,4,3)   | OFF                              | OFF   | ON    | 700                                   | 575  | 455        | 345  | 225  | See note 4 |      |            |            |      |
|   | OFF                              | ON    | OFF   | 860                                   | 755  | 650        | 545  | 445  | 350        | 235  | See note 4 |            |      |
|   | OFF                              | ON    | ON    | 1085                                  | 1000 | 910        | 830  | 735  | 655        | 565  | 485        | 405        | 310  |
|   | ON                               | OFF   | OFF   | 1255                                  | 1180 | 1105       | 1025 | 950  | 870        | 790  | 715        | 640        | 570  |
|   | ON                               | OFF   | ON    | 1255                                  | 1180 | 1105       | 1025 | 950  | 870        | 790  | 715        | 640        | 570  |
|   | ON                               | ON    | OFF   | 1255                                  | 1180 | 1105       | 1025 | 950  | 870        | 790  | 715        | 640        | 570  |
|   | ON                               | ON    | ON    | 1255                                  | 1180 | 1105       | 1025 | 950  | 870        | 790  | 715        | 640        | 570  |
| Heating<br>(SW1)  | High Heat Airflow <sup>3</sup>   |       |       | 1830                                  | 1775 | 1725       | 1675 | 1625 | 1570       | 1520 | 1465       | 1410       | 1360 |
|   | Low Heat Airflow <sup>3</sup>    |       |       | 1600                                  | 1540 | 1485       | 1430 | 1370 | 1315       | 1255 | 1195       | 1140       | 1070 |
| <b>Unit Size: 66110V21</b>  | <b>Clg/CF Switch settings</b>    |       |       | <b>External Static Pressure (ESP)</b> |      |            |      |      |            |      |            |            |      |
| Clg Switches:   | SW2-8                            | SW2-7 | SW2-6 | 0.1                                   | 0.2  | 0.3        | 0.4  | 0.5  | 0.6        | 0.7  | 0.8        | 0.9        | 1.0  |
| Clg Default:  | OFF                              | OFF   | OFF   | 2055                                  | 2000 | 1950       | 1900 | 1840 | 1790       | 1740 | 1675       | 1625       | 1565 |
| Cooling<br>(SW2-8,7,6)  | OFF                              | OFF   | ON    | 855                                   | 755  | See note 4 |      |      |            |      |            |            |      |
|   | OFF                              | ON    | OFF   | 1060                                  | 985  | 875        | 800  | 700  | See note 4 |      |            |            |      |
|   | OFF                              | ON    | ON    | 1250                                  | 1180 | 1095       | 1025 | 925  | 860        | 775  | 715        | See note 4 |      |
|   | ON                               | OFF   | OFF   | 1445                                  | 1380 | 1320       | 1235 | 1175 | 1100       | 1035 | 955        | 900        | 825  |
|   | ON                               | OFF   | ON    | 1685                                  | 1630 | 1560       | 1505 | 1445 | 1375       | 1320 | 1265       | 1195       | 1140 |
|   | ON                               | ON    | OFF   | 2055                                  | 2000 | 1950       | 1900 | 1840 | 1790       | 1740 | 1675       | 1625       | 1565 |
|   | ON                               | ON    | ON    | 2465                                  | 2415 | 2365       | 2305 | 2230 | 2140       | 2045 | 1925       | 1805       | 1655 |
|   | Maximum Clg Airflow <sup>2</sup> |       |       | 2465                                  | 2415 | 2365       | 2305 | 2230 | 2140       | 2045 | 1925       | 1805       | 1655 |
| CF Switches   | SW2-5                            | SW2-4 | SW2-3 |                                       |      |            |      |      |            |      |            |            |      |
| Low-Clg Default:  | OFF                              | OFF   | OFF   | 855                                   | 755  | See note 4 |      |      |            |      |            |            |      |
| Low-Cooling<br>(SW2-5,4,3)  | OFF                              | OFF   | ON    | 640                                   | 540  | See note 4 |      |      |            |      |            |            |      |
|   | OFF                              | ON    | OFF   | 855                                   | 755  | See note 4 |      |      |            |      |            |            |      |
|   | OFF                              | ON    | ON    | 1060                                  | 985  | 875        | 800  | 700  | See note 4 |      |            |            |      |
|   | ON                               | OFF   | OFF   | 1250                                  | 1180 | 1095       | 1025 | 925  | 860        | 775  | 715        | See note 4 |      |
|   | ON                               | OFF   | ON    | 1445                                  | 1380 | 1320       | 1235 | 1175 | 1100       | 1035 | 955        | 900        | 825  |
|   | ON                               | ON    | OFF   | 1685                                  | 1630 | 1560       | 1505 | 1445 | 1375       | 1320 | 1265       | 1195       | 1140 |
|   | ON                               | ON    | ON    | 2055                                  | 2000 | 1950       | 1900 | 1840 | 1790       | 1740 | 1675       | 1625       | 1565 |
| Cont. Fan Default:  | OFF                              | OFF   | OFF   | 855                                   | 755  | See note 4 |      |      |            |      |            |            |      |
| Continuous Fan<br>(SW2-5,4,3)   | OFF                              | OFF   | ON    | 640                                   | 540  | See note 4 |      |      |            |      |            |            |      |
|   | OFF                              | ON    | OFF   | 855                                   | 755  | See note 4 |      |      |            |      |            |            |      |
|   | OFF                              | ON    | ON    | 1060                                  | 985  | 875        | 800  | 700  | See note 4 |      |            |            |      |
|   | ON                               | OFF   | OFF   | 1250                                  | 1180 | 1095       | 1025 | 925  | 860        | 775  | 715        | See note 4 |      |
|   | ON                               | OFF   | ON    | 1445                                  | 1380 | 1320       | 1235 | 1175 | 1100       | 1035 | 955        | 900        | 825  |
|   | ON                               | ON    | OFF   | 1445                                  | 1380 | 1320       | 1235 | 1175 | 1100       | 1035 | 955        | 900        | 825  |
|   | ON                               | ON    | ON    | 1445                                  | 1380 | 1320       | 1235 | 1175 | 1100       | 1035 | 955        | 900        | 825  |
| Heating<br>(SW1)  | High Heat Airflow <sup>3</sup>   |       |       | 2105                                  | 2055 | 2005       | 1955 | 1895 | 1850       | 1795 | 1735       | 1665       | 1580 |
|   | Low Heat Airflow <sup>3</sup>    |       |       | 1740                                  | 1685 | 1620       | 1560 | 1505 | 1440       | 1385 | 1325       | 1260       | 1205 |

**Table 4 - Air Delivery - CFM (With Filter)\* (CONTINUED)**

| <b>COOLING<sup>4</sup> AND HEATING AIR DELIVERY - CFM (Bottom Return<sup>5</sup> With Filter)<br/>(SW1-5 and SW2-2 set to OFF, except as indicated. See notes 1 and 2.)</b> |                                  |       |       |                                       |      |      |      |      |            |      |      |      |      |
|---|----------------------------------|-------|-------|---------------------------------------|------|------|------|------|------------|------|------|------|------|
| <b>Unit Size: 66135V24</b>  | <b>Clg/CF Switch settings</b>    |       |       | <b>External Static Pressure (ESP)</b> |      |      |      |      |            |      |      |      |      |
| Clg Switches:   | SW2-8                            | SW2-7 | SW2-6 | 0.1                                   | 0.2  | 0.3  | 0.4  | 0.5  | 0.6        | 0.7  | 0.8  | 0.9  | 1.0  |
| Clg Default:  | OFF                              | OFF   | OFF   | 2105                                  | 2050 | 1995 | 1940 | 1880 | 1820       | 1765 | 1705 | 1650 | 1590 |
| Cooling<br>(SW2-8,7,6)  | OFF                              | OFF   | ON    | 990                                   | 885  | 780  | 665  | 570  | See note 4 |      |      |      |      |
|   | OFF                              | ON    | OFF   | 1180                                  | 1090 | 995  | 900  | 815  | 715        | 635  | 555  | 475  | 400  |
|   | OFF                              | ON    | ON    | 1355                                  | 1270 | 1190 | 1105 | 1020 | 940        | 855  | 775  | 700  | 630  |
|   | ON                               | OFF   | OFF   | 1535                                  | 1465 | 1395 | 1320 | 1245 | 1165       | 1095 | 1025 | 945  | 875  |
|   | ON                               | OFF   | ON    | 1735                                  | 1670 | 1605 | 1535 | 1470 | 1405       | 1335 | 1270 | 1205 | 1140 |
|   | ON                               | ON    | OFF   | 2105                                  | 2050 | 1995 | 1940 | 1880 | 1820       | 1765 | 1705 | 1650 | 1590 |
|   | ON                               | ON    | ON    | 2280                                  | 2225 | 2175 | 2120 | 2065 | 2010       | 1955 | 1905 | 1850 | 1800 |
|   | Maximum Clg Airflow <sup>2</sup> |       |       | 2360                                  | 2310 | 2265 | 2215 | 2160 | 2115       | 2060 | 2010 | 1960 | 1870 |
| CF Switches   | SW2-5                            | SW2-4 | SW2-3 |                                       |      |      |      |      |            |      |      |      |      |
| Low-Clg Default:  | OFF                              | OFF   | OFF   | 990                                   | 885  | 780  | 665  | 570  | See note 4 |      |      |      |      |
| Low-Cooling<br>(SW2-5,4,3)  | OFF                              | OFF   | ON    | 800                                   | 670  | 540  | 410  | 280  | See note 4 |      |      |      |      |
|   | OFF                              | ON    | OFF   | 990                                   | 885  | 780  | 665  | 570  | See note 4 |      |      |      |      |
|   | OFF                              | ON    | ON    | 1180                                  | 1090 | 995  | 900  | 815  | 715        | 635  | 555  | 475  | 400  |
|   | ON                               | OFF   | OFF   | 1355                                  | 1270 | 1190 | 1105 | 1020 | 940        | 855  | 775  | 700  | 630  |
|   | ON                               | OFF   | ON    | 1535                                  | 1465 | 1395 | 1320 | 1245 | 1165       | 1095 | 1025 | 945  | 875  |
|   | ON                               | ON    | OFF   | 1735                                  | 1670 | 1605 | 1535 | 1470 | 1405       | 1335 | 1270 | 1205 | 1140 |
|   | ON                               | ON    | ON    | 2105                                  | 2050 | 1995 | 1940 | 1880 | 1820       | 1765 | 1705 | 1650 | 1590 |
| Cont. Fan Default:  | OFF                              | OFF   | OFF   | 740                                   | 605  | 470  | 360  | 255  | See note 4 |      |      |      |      |
| Continuous Fan<br>(SW2-5,4,3)   | OFF                              | OFF   | ON    | 740                                   | 605  | 470  | 360  | 255  | See note 4 |      |      |      |      |
|   | OFF                              | ON    | OFF   | 900                                   | 775  | 650  | 525  | 400  | See note 4 |      |      |      |      |
|   | OFF                              | ON    | ON    | 1080                                  | 980  | 885  | 785  | 680  | 595        | 510  | 430  | 345  | 260  |
|   | ON                               | OFF   | OFF   | 1080                                  | 980  | 885  | 785  | 680  | 595        | 510  | 430  | 345  | 260  |
|   | ON                               | OFF   | ON    | 1080                                  | 980  | 885  | 785  | 680  | 595        | 510  | 430  | 345  | 260  |
|   | ON                               | ON    | OFF   | 1080                                  | 980  | 885  | 785  | 680  | 595        | 510  | 430  | 345  | 260  |
|   | ON                               | ON    | ON    | 1080                                  | 980  | 885  | 785  | 680  | 595        | 510  | 430  | 345  | 260  |
| Heating<br>(SW1)  | High Heat Airflow <sup>3</sup>   |       |       | 2130                                  | 2075 | 2020 | 1970 | 1910 | 1855       | 1805 | 1745 | 1690 | 1630 |
|   | Low Heat Airflow <sup>3</sup>    |       |       | 1855                                  | 1795 | 1730 | 1670 | 1605 | 1545       | 1480 | 1420 | 1360 | 1300 |

- Nominal 350 CFM/ton cooling airflow is delivered with SW1-5 and SW2-2 set to OFF. Set both SW1-5 and SW2-2 to ON for +7% airflow (nominal 370 CFM/ton). Set SW1-5 to ON and SW2-2 to OFF for +15% airflow (nominal 400 CFM/ton). Set SW2-2 to ON and SW1-5 to OFF for -7% airflow (nominal 325 CFM/ton). The above adjustments in airflow are subject to motor horsepower range/capacity. This applies to Cooling and Low-Cooling airflow, but does not affect continuous fan airflow.
- Maximum cooling airflow is achieved when switches SW2-6, SW2-7, SW2-8 and SW1-5 are set to ON, and SW2-2 is set to OFF.
- All heating CFM's are when comfort/efficiency adjustment switch (SW1-4) is set to OFF
- Ductwork must be sized for high-heating CFM within the operational range of ESP. Operation within the blank areas of the chart is not recommended because high-heat operation will be above 1.0 ESP.
- All airflows on 21" casing size furnaces are 5% less on side return only installations.
- Side returns for 24.5" casing sizes require two sides, or side and bottom, to allow sufficient airflow at the return of the furnace.
- Airflows over 1800 CFM require bottom return, two-side return, or bottom and side return or excessive watt draw may result. A minimum filter size of 20x25" (508 x 635 mm) is required.

**Return Air Connections**

**⚠ WARNING**

**FIRE HAZARD**

A failure to follow this warning could cause personal injury, death and/or property damage.

Never connect return-air ducts to the back of the furnace. Follow instructions below.

**Downflow Furnaces**

The return-air duct must be connected to return-air opening (bottom inlet). DO NOT cut into casing sides (left or right). Side opening is permitted for only upflow and certain horizontal furnaces. Bypass humidifier connections should be made at ductwork or coil casing sides exterior to furnace. (See Fig. 19.)

**Upflow and Horizontal Furnaces**

The return-air duct must be connected to bottom, sides (left or right), or a combination of bottom and side(s) of main furnace casing. Bypass humidifier may be attached into unused return air side of the furnace casing. (See Fig. 18 and 20.) Not all upflow and horizontal furnace models are approved for side return air connections. (See Fig. 18 and 20.)

**GAS PIPING**

**⚠ WARNING**

**FIRE OR EXPLOSION HAZARD**

Failure to follow this warning could result in personal injury, death, and/or property damage.

Never purge a gas line into a combustion chamber. Never test for gas leaks with an open flame. Use a commercially available soap solution made specifically for the detection of leaks to check all connections. A fire or explosion may result causing property damage, personal injury or loss of life.

## ⚠ WARNING

### FIRE OR EXPLOSION HAZARD

Failure to follow this warning could result in personal injury, death, and/or property damage.

Use proper length of pipe to avoid stress on gas control manifold and a gas leak.

## ⚠ WARNING

### FIRE OR EXPLOSION HAZARD

Failure to follow this warning could result in personal injury, death, and/or property damage.

Gas valve inlet and/or inlet pipe must remain capped until gas supply line is permanently installed to protect the valve from moisture and debris. Also, install a sediment trap in the gas supply piping at the inlet to the gas valve.

Gas piping must be installed in accordance with national and local codes. Refer to current edition of NFGC in the U.S.

Installations must be made in accordance with all authorities having jurisdiction. If possible, the gas supply line should be a separate line running directly from meter to furnace.

**NOTE:** In the state of Massachusetts:

1. Gas supply connections **MUST** be performed by a licensed plumber or gas fitter.
2. When flexible connectors are used, the maximum length shall not exceed 36 in. (915 mm).
3. When lever handle type manual equipment shutoff valves are used, they shall be T-handle valves.
4. The use of copper tubing for gas piping is **NOT** approved by the state of Massachusetts.

Refer to Table 5 for recommended gas pipe sizing. Risers must be used to connect to furnace and to meter. Support all gas piping with appropriate straps, hangers, etc. Use a minimum of 1 hanger every 6 ft. (1.8 M). Joint compound (pipe dope) should be applied sparingly and only to male threads of joints. Pipe dope must be resistant to the action of propane gas.

**Table 5 – Maximum Capacity of Pipe**

| NOMINAL IRON PIPE SIZE<br>IN. (MM) | INTERNAL DIA.<br>IN. (MM) | LENGTH OF PIPE – FT (M) |             |             |              |              |
|------------------------------------|---------------------------|-------------------------|-------------|-------------|--------------|--------------|
|                                    |                           | 10<br>(3.0)             | 20<br>(6.0) | 30<br>(9.1) | 40<br>(12.1) | 50<br>(15.2) |
| 1/2 (12.7)                         | 0.622(158)                | 175                     | 120         | 97          | 82           | 73           |
| 3/4 (19.0)                         | 0.824 (20.9)              | 360                     | 250         | 200         | 170          | 151          |
| 1 (25.4)                           | 1.049 (26.6)              | 680                     | 465         | 375         | 320          | 285          |
| 1-1/4 (31.8)                       | 1.380 (35.0)              | 1400                    | 950         | 770         | 660          | 580          |
| 1-1/2 (38.1)                       | 1.610 (40.9)              | 2100                    | 1460        | 1180        | 990          | 900          |

\* Cubic ft of gas per hr for gas pressures of 0.5 psig (14–In. W.C.) or less and a pressure drop of 0.5–In. W.C. (based on a 0.60 specific gravity gas). Ref: Table 6 and 9.2 NFGC.

## ⚠ WARNING

### FIRE OR EXPLOSION HAZARD

A failure to follow this warning could result in personal injury, death, and/or property damage.

If local codes allow the use of a flexible gas appliance connector, always use a new listed connector. Do not use a connector which has previously served another gas appliance. Black iron pipe shall be installed at the furnace gas control valve and extend a minimum of 2-in. (51 mm) outside the furnace.

## ⚠ CAUTION

### FURNACE DAMAGE HAZARD

Failure to follow this caution may result in furnace damage.

Connect gas pipe to furnace using a backup wrench to avoid damaging gas controls and burner misalignment.

An accessible manual equipment shutoff valve **MUST** be installed external to furnace casing and within 6 ft. (1.8 M) of furnace. A 1/8-in. (3 mm) NPT plugged tapping, accessible for test gauge connection, **MUST** be installed immediately upstream of gas supply connection to furnace and downstream of manual equipment shutoff valve.

**NOTE:** The furnace gas control valve inlet pressure tap connection is suitable to use as test gauge connection providing test pressure **DOES NOT** exceed maximum 0.5 psig (14–In. W.C.) stated on gas control valve. (See Fig. 49.)

Some installations require gas entry on right side of furnace (as viewed in upflow). (See Fig. 21.)

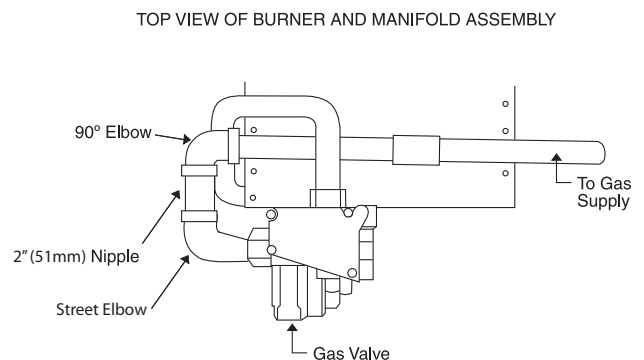
Install a sediment trap in riser leading to furnace as shown in Fig. 22. Connect a capped nipple into lower end of tee. Capped nipple should extend below level of furnace gas controls. Place a ground joint union between furnace gas control valve and exterior manual equipment gas shutoff valve.

A 1/8-in. (3 mm) NPT plugged tapping, accessible for test gauge connection, **MUST** be installed immediately upstream of gas supply connection to furnace and downstream of manual equipment shutoff valve.

Piping should be pressure and leak tested in accordance with the current addition of the NFGC in the United States, local, and national plumbing and gas codes before the furnace has been connected. After all connections have been made, purge lines and check for leakage at furnace prior to operating furnace.

If pressure exceeds 0.5 psig (14–In. W.C.), gas supply pipe must be disconnected from furnace and capped before and during supply pipe pressure test. If test pressure is equal to or less than 0.5 psig (14–In. W.C.), turn off electric shutoff switch located on furnace gas control valve and accessible manual equipment shutoff valve before and during supply pipe pressure test. After all connections have been made, purge lines and check for leakage at furnace prior to operating furnace.

The gas supply pressure shall be within the maximum and minimum inlet supply pressures marked on the rating plate with the furnace burners ON and OFF.



**Fig. 21 - Burner and Manifold**

A08551



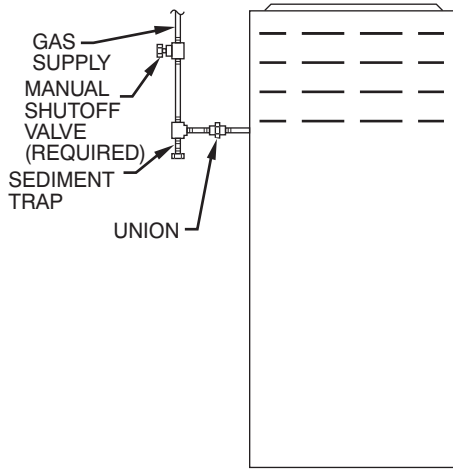


Fig. 22 - Typical Gas Pipe Arrangement

A02035

**ELECTRICAL CONNECTIONS**

**⚠ WARNING**

**ELECTRICAL SHOCK, FIRE OR EXPLOSION HAZARD**

Failure to follow safety warnings could result in dangerous operation, serious injury, death or property damage. Improper servicing could result in dangerous operation, serious injury, death or property damage.

- Before servicing, disconnect all electrical power to furnace.
- When servicing controls, label all wires prior to disconnection. Reconnect wires correctly.
- Verify proper operation after servicing.

**⚠ WARNING**

**ELECTRICAL SHOCK HAZARD**

Failure to follow this warning could result in personal injury or death.

Blower access panel door switch opens 115-v power to control. No component operation can occur. Do not bypass or close switch with panel removed.

See Fig. 23 for field wiring diagram showing typical field 115-v wiring. Check all factory and field electrical connections for tightness.

Field-supplied wiring shall conform with the limitations of 63°F (33°C) rise.

Table 6 – Electrical Data

| FURNACE SIZE | VOLTS - HERTZ - PHASE | OPERATING VOLTAGE RANGE * |      | MAX. UNIT AMPS | UNIT AMPACITY# | MAX WIRE LENGTH FT (M)‡ | MAX. FUSE OR CKT. BKR AMPS † | MIN. WIRE GAUGE |
|--------------|-----------------------|---------------------------|------|----------------|----------------|-------------------------|------------------------------|-----------------|
|              |                       | Max.                      | Min. |                |                |                         |                              |                 |
| 36045V14     | 115-60-1              | 127                       | 104  | 7.7            | 10.4           | 35 (10.9)               | 15                           | 14              |
| 36070V14     | 115-60-1              | 127                       | 104  | 8.0            | 10.8           | 34 (10.4)               | 15                           | 14              |
| 48070V17     | 115-60-1              | 127                       | 104  | 10.5           | 13.9           | 26 (8.1)                | 15                           | 14              |
| 48090V17     | 115-60-1              | 127                       | 104  | 8.6            | 11.3           | 32 (10)                 | 15                           | 14              |
| 60090V21     | 115-60-1              | 127                       | 104  | 11.5           | 15.0           | 24 (7.5)                | 15                           | 14              |
| 66110V21     | 115-60-1              | 127                       | 104  | 13.1           | 16.9           | 34 (10.4)               | 20                           | 12              |
| 66135V24     | 115-60-1              | 127                       | 104  | 13.9           | 17.9           | 32 (9.8)                | 20                           | 12              |

\* Permissible limits of the voltage range at which the unit operates satisfactorily.

# Unit ampacity = 125 percent of largest operating component's full load amps plus 100 percent of all other potential operating components' (EAC, humidifier, etc.) full load amps.

†Time—delay type is recommended.

‡Length shown is as measured 1 way along wire path between furnace and service panel for maximum 2 percent voltage drop.

**⚠ WARNING**

**ELECTRICAL SHOCK AND FIRE HAZARD**

Failure to follow this warning could result in personal injury, death, or property damage.

The cabinet **MUST** have an uninterrupted or unbroken ground according to NEC NFPA 70 or local codes to minimize personal injury if an electrical fault should occur. This may consist of electrical wire, conduit approved for electrical ground or a listed, grounded power cord (where permitted by local code) when installed in accordance with existing electrical codes. Refer to the power cord manufacturer's ratings for proper wire gauge. Do not use gas piping as an electrical ground.

**⚠ CAUTION**

**FURNACE MAY NOT OPERATE HAZARD**

Failure to follow this caution may result in intermittent furnace operation.

Furnace control must be grounded for proper operation or else control will lock out. Control must remain grounded through green/yellow wire routed to gas valve and manifold bracket screw.

**115-V Wiring**

Verify that the voltage, frequency, and phase correspond to that specified on unit rating plate. Also, check to be sure that service provided by utility is sufficient to handle load imposed by this equipment. Refer to rating plate or Table 6 for equipment electrical specifications.

**U.S. Installations:** Make all electrical connections in accordance with National Electrical Code (NEC) NFPA 70 and any local codes or ordinances that might apply.

**⚠ WARNING**

**FIRE HAZARD**

Failure to follow this warning could result in personal injury, death, or property damage.

Do not connect aluminum wire between disconnect switch and furnace. Use only copper wire.

Use a separate, fused branch electrical circuit with a properly sized fuse or circuit breaker for this furnace. See Table 6 for wire size and fuse specifications. A readily accessible means of electrical disconnect must be located within sight of the furnace.

**NOTE:** Proper polarity must be maintained for 115-v wiring. If polarity is incorrect, control LED status indicator light will flash rapidly and furnace will NOT operate.

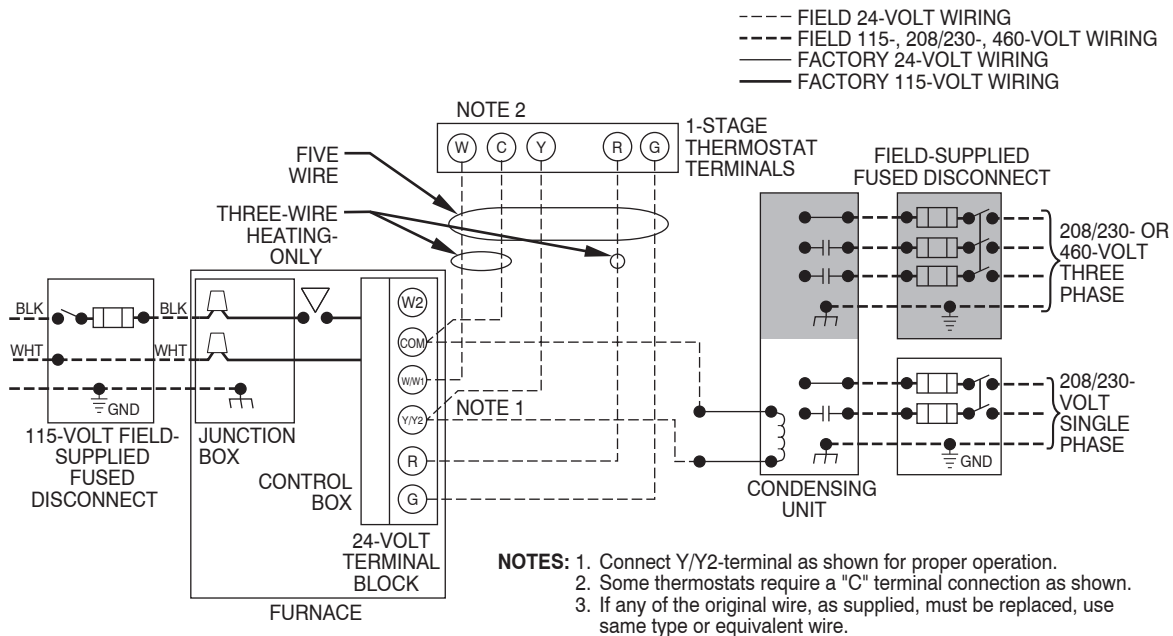


Fig. 23 - Field Wiring Diagram

A95236

**J-Box Relocation**

**NOTE:** If factory location of J-Box is acceptable, go to next section (ELECTRICAL CONNECTION to J-Box).

**NOTE:** On 14-in. (356 mm) wide casing models, the J-Box shall not be relocated to other side of furnace casing when the vent pipe is routed within the casing.

1. Remove and save two screws holding J-Box. (See Fig. 24.)

**NOTE:** The J-Box cover need not be removed from the J-Box in order to move the J-Box. Do NOT remove green ground screw inside J-Box. (See Fig. 24.)

2. Cut wire tie on loop in furnace wires attached to J-Box.
3. Move J-Box to desired location.
4. Fasten J-Box to casing with the two screws removed in Step 1.
5. Route J-Box wires within furnace away from sharp edges, rotating parts and hot surfaces.

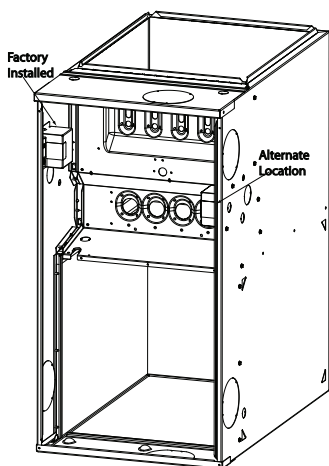


Fig. 24 - Relocating J-Box

A10291

**Electrical Connection to J-Box**

**Electrical Box on Furnace Casing Side (See Fig. 25.)**

**▲ WARNING**

**FIRE OR ELECTRICAL SHOCK HAZARD**

Failure to follow this warning could result in personal injury, death, or property damage.

If field-supplied manual disconnect switch is to be mounted on furnace casing side, select a location where a drill or fastener cannot damage electrical or gas components.

1. Select and remove a hole knockout in the casing where the electrical box is to be installed.

**NOTE:** Check that duct on side of furnace will not interfere with installed electrical box.

2. Remove the desired electrical box hole knockout and position the hole in the electrical box over the hole in the furnace casing.
3. Fasten the electrical box to casing by driving two field-supplied screws from inside electrical box into casing steel.
4. Remove and save two screws holding J-Box. (See Fig. 24.)
5. Pull furnace power wires out of 1/2-in. (12 mm) diameter hole in J-Box. Do not loosen wires from strain-relief wire-tie on outside of J-Box.
6. Route furnace power wires through holes in casing and electrical box and into electrical box.
7. Pull field power wires into electrical box.
8. Remove cover from furnace J-Box.
9. Route field ground wire through holes in electrical box and casing, and into furnace J-Box.
10. Reattach furnace J-Box to furnace casing with screws removed in Step 4.
11. Secure field ground wire to J-Box green ground screw.
12. Complete electrical box wiring and installation. Connect line voltage leads as shown in Fig. 25. Use best practices (NEC in U.S. for wire bushings, strain relief, etc.



## **⚠ WARNING**

### **CARBON MONOXIDE POISONING HAZARD**

Failure to follow the steps outlined below for each appliance connected to the venting system being placed into operation could result in carbon monoxide poisoning or death.

The following steps shall be followed for each appliance connected to the venting system being placed into operation, while all other appliances connected to the venting system are not in operation:

1. Seal any unused openings in venting system.
2. Inspect the venting system for proper size and horizontal pitch, as required in the National Fuel Gas Code, NFPA 54/ANSI Z223.1 and these instructions. Determine that there is no blockage or restriction, leakage, corrosion and other deficiencies, which could cause an unsafe condition.
3. As far as practical, close all building doors and windows and all doors between the space in which the appliance(s) connected to the venting system are located and other spaces of the building.
4. Close fireplace dampers.
5. Turn on clothes dryers and any appliance not connected to the venting system. Turn on any exhaust fans, such as range hoods and bathroom exhausts, so they are operating at maximum speed. Do not operate a summer exhaust fan.
6. Follow the lighting instructions. Place the appliance being inspected into operation. Adjust the thermostat so appliance is operating continuously.
7. Test for spillage from draft hood equipped appliances at the draft hood relief opening after 5 minutes of main burner operation. Use the flame of a match or candle.
8. If improper venting is observed during any of the above tests, the venting system must be corrected in accordance with the National Fuel Gas Code, NFPA 54/ANSI Z223.1.
9. After it has been determined that each appliance connected to the venting system properly vents when tested as outlined above, return doors, windows, exhaust fans, fireplace dampers and any other gas-fired burning appliance to their previous conditions of use.

### **VENTING**

The furnace shall be connected to a listed factory built chimney or vent, or a clay-tile lined masonry or concrete chimney. Venting into an unlined masonry chimney or concrete chimney is prohibited.

When an existing Category I furnace is removed or replaced, the original venting system, may no longer be sized to properly vent the attached appliances. An improperly sized Category I venting system could cause the formation of condensate in the furnace and vent, leakage of condensate and combustion products, and spillage of combustion products into the living space.

Vent system or vent connectors may need to be resized. Vent systems or vent connectors must be sized to approach minimum size as determined using appropriate table found in the current edition of NFGC.

### **General Venting Requirements**

Follow all safety codes for proper vent sizing and installation requirements, including local building codes, the National Fuel Gas Code NFPA 54/ANSI Z223.1 (NFGC), Parts 12 and 13 in the United States, the local building codes, and furnace and vent manufacturers' instructions.

These furnaces are design-certified as Category I furnaces in accordance with ANSI Z21.47/CSA 2.3 and operate with a non-positive vent static pressure to minimize the potential for vent gas leakage. Category I furnaces operate with a flue loss not less than 17% to minimize the potential for condensation in the venting system. These furnaces are approved for common venting and multi-story venting with other fan assisted or draft hood equipped appliances in accordance with the NFGC, local building codes, and furnace and vent manufacturers' instructions.

The following information and warning must be considered in addition to the requirements defined in the NFGC.

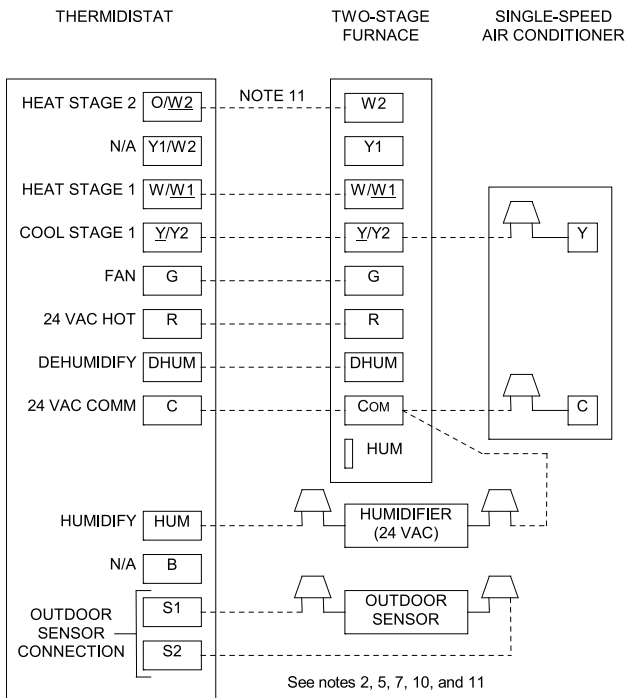
## **⚠ WARNING**

### **CARBON MONOXIDE POISONING HAZARD**

Failure to follow this warning could result in personal injury or death.

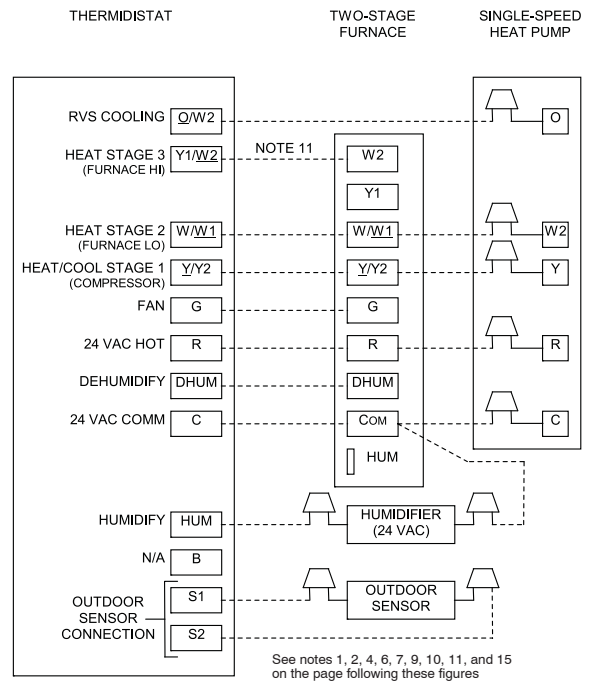
Do not bypass the draft safeguard switch, as an unsafe condition could exist which must be corrected.

1. If a vent (common or dedicated) becomes blocked, the furnace will be shut off by the draft safeguard switch located on the vent elbow.
2. Two-stage furnaces require Type B vent connectors outside the casing in all configurations. Single wall vent connector may be used inside the furnace casing with the transition to Type B vent outside the furnace casing. Size the connector so that the FAN-Min vent connector capacity is equal to or lower than the low fire rate of the furnace and the FAN-Max vent connector capacity is equal to or higher than the furnace high fire rate.
3. Do not vent this Category I furnace into a single wall dedicated or common vent. The dedicated or common vent is considered to be the vertical portion of the vent system that terminates outdoors.
4. Vent connectors serving Category I furnaces shall not be connected into any portion of a mechanical draft system operating under positive pressure.
5. Do not vent this appliance with any solid fuel burning appliance.
6. Category I furnaces must be vented vertically or nearly vertically unless equipped with a listed mechanical venter. See SIDEWALL VENTING section.
7. Do not vent this appliance into an unlined masonry chimney. Refer to Chimney Inspection Chart, Fig. 35.



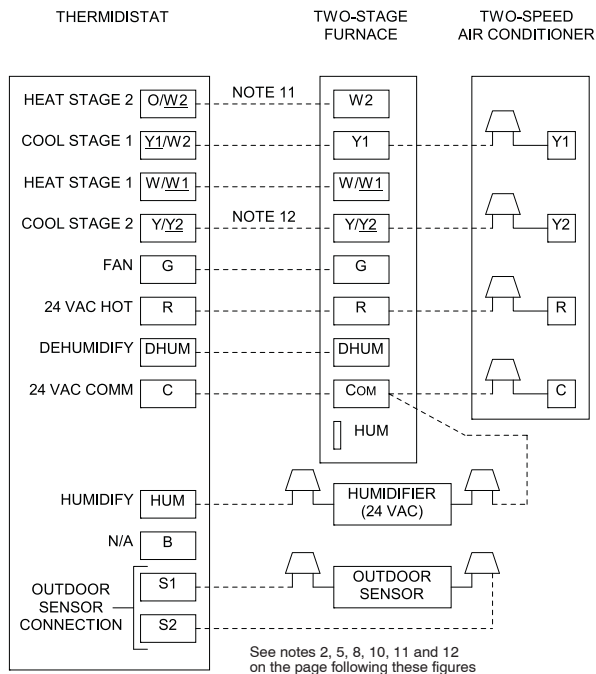
**Fig. 27 - Two-Stage Furnace with Single-Speed Air Conditioner**

A00275



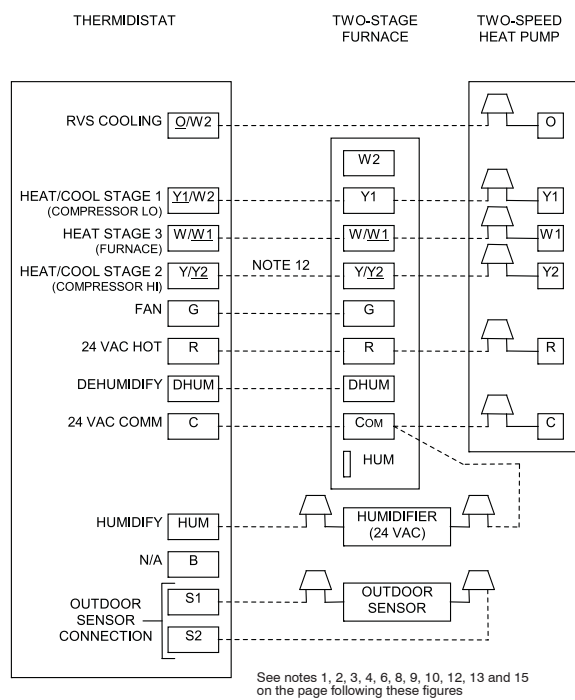
**Fig. 29 - Two-Stage Furnace with Single-Speed Heat Pump (Dual Fuel)**

A03180



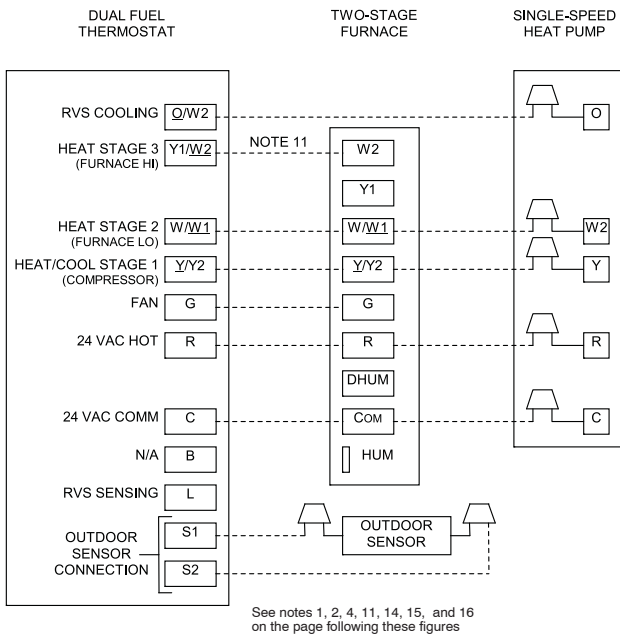
**Fig. 28 - Two-Stage Furnace with Two-Speed Air Conditioner**

A03179



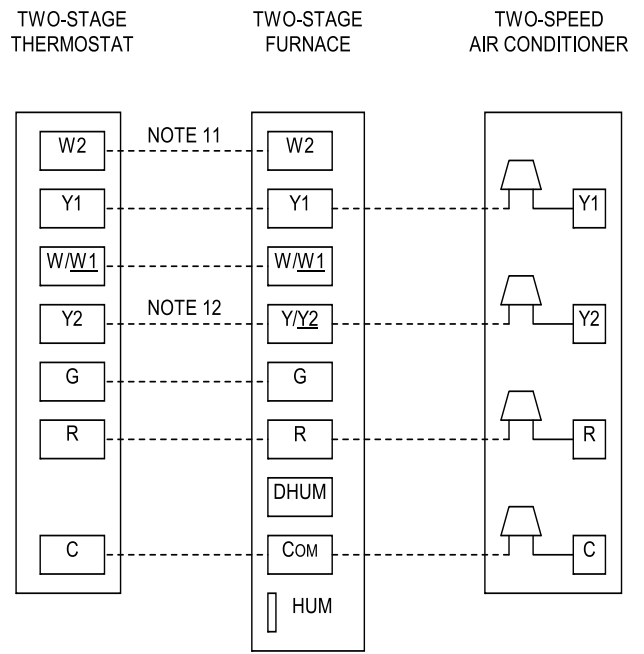
**Fig. 30 - Two-Stage Furnace with Two-Speed Heat Pump (Dual Fuel)**

A03178



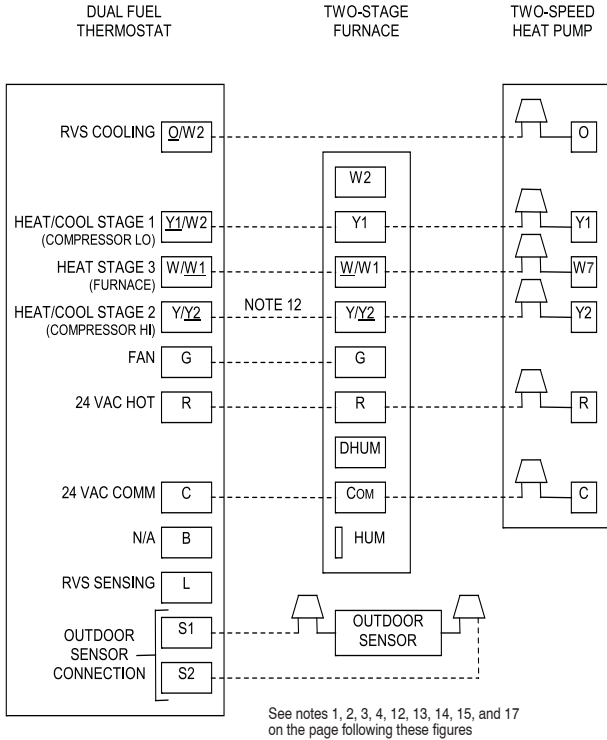
A03181

**Fig. 31 - Dual-Fuel Thermostat with Two-Stage Furnace and Single-Speed Heat Pump**



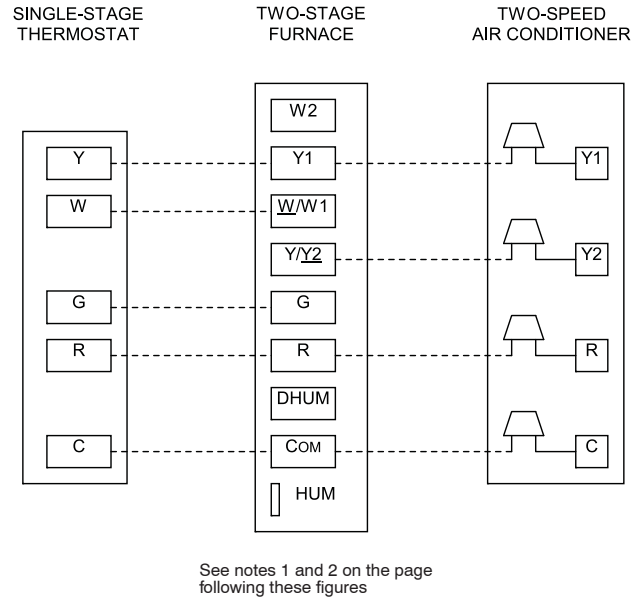
A03183

**Fig. 33 - Two-Stage Thermostat with Two-Stage Furnace and Two-Speed Air Conditioner**



A03182

**Fig. 32 - Dual-Fuel Thermostat with Two-Stage Furnace and Two-Speed Heat Pump**



A03184

**Fig. 34 - Single-Stage Thermostat with Two-Stage Furnace and Two-Speed Air Conditioner**



## NOTES FOR FIGURES 27 - 34

1. Heat pump **MUST** have a high pressure switch for dual fuel applications.
2. Refer to outdoor equipment Installation Instructions for additional information and setup procedure.
3. If the heat pump date code is 1501E or earlier, select the “ZONE” position on the two-speed heat pump control. Heat pumps having date codes 1601E and later do not have or require a “ZONE” selection.
4. Outdoor Air Temperature Sensor must be attached in all dual fuel applications.
5. Dip switch No. 1 on Thermidistat should be set in OFF position for air conditioner installations. This is factory default.
6. Dip switch No. 1 on Thermidistat should be set in ON position for heat pump installations.
7. Dip switch No. 2 on Thermidistat should be set in OFF position for single-speed compressor operation. This is factory default.
8. Dip switch No. 2 on Thermidistat should be set in ON position for two-speed compressor operation.
9. Configuration Option No. 10 “Dual Fuel Selection” must be turned ON in all dual fuel applications.
10. NO connection should be made to the furnace HUM terminal when using a Thermidistat.
11. Optional connection: If wire is connected, dip switch SW1-2 on furnace control should be set in ON position to allow Thermidistat/Thermostat to control furnace staging.
12. Optional connection: If wire is connected, ACRDJ jumper on furnace control should be removed to allow Thermidistat/Thermostat to control outdoor unit staging.
13. Furnace must control its own high-stage heating operation via furnace control algorithm.
14. The RVS Sensing terminal “L” should not be connected. This is internally used to sense defrost operation.
15. **DO NOT SELECT** the “FURNACE INTERFACE” or “BALANCE POINT” option on the two-speed heat pump control board. This is controlled internally by the Thermidistat/Dual Fuel Thermostat.
16. Dip switch D on Dual Fuel Thermostat should be set in OFF position for single-speed compressor operation. This is factory default.
17. Dip switch D on Dual Fuel Thermostat should be set in ON position for two-speed compressor operation.



**Masonry Chimney Requirement**

**NOTE:** These furnaces are CSA design-certified for use in exterior tile-lined masonry chimneys with a factory accessory Chimney Adapter Kit. Refer to the furnace rating plate for correct kit usage. The Chimney Adapter Kits are for use with ONLY furnaces having a Chimney Adapter Kit number marked on the furnace rating plate.

If a clay tile-lined masonry chimney is being used and it is exposed to the outdoors below the roof line, relining might be required. Chimneys shall conform to the Standard for Chimneys, Fireplaces, Vents, and Solid Fuel Burning Appliances ANSI/NFPA 211 in the United States and must be in good condition.

**U.S.A.-**Refer to Sections 13.1.8 and 13.2.20 of the NFPA 54/ANSI Z223.1 or the authority having jurisdiction to determine whether relining is required. If relining is required, use a properly sized listed metal liner, Type-B vent, or a listed alternative venting design.

**NOTE:** See the NFPA 54/ANSI Z223.1 13.1.9 and 13.2.20 regarding alternative venting design and the exception, which cover installations such as our Chimney Adapter Kits which are listed for use with these furnaces. See Product Data Sheet for accessory listing.

The Chimney Adapter Kit is a listed alternative venting system for these furnaces. See the kit instructions for complete details.

This furnace is permitted to be vented into a clay tile-lined masonry chimney that is exposed to the outdoors below the roof line, provided:

1. Vent connector is Type-B double-wall, and
2. This furnace is common vented with at least 1 draft hood equipped appliance, and
3. The combined appliance input rating is less than the maximum capacity given in Table 7, and
4. The input rating of each space heating appliance is greater than the minimum input rating given in Table 8 for the local 99% Winter Design Temperature. Chimneys having internal areas greater than 38 sq. in. (24516 sq. mm) require furnace input ratings greater than the input ratings of these furnaces. See footnote at bottom of Table 8, and
5. The authority having jurisdiction approves.

If all of these conditions cannot be met, an alternative venting design shall be used, such as the listed chimney adapter kit with a furnace listed for use with the kit, a listed chimney-lining system, or a Type-B common vent.

Inspections before the sale and at the time of installation will determine the acceptability of the chimney or the need for repair and/or (re)lining. Refer to the Fig. 35 to perform a chimney inspection. If the inspection of a previously used tile-lined chimney:

- a. Shows signs of vent gas condensation, the chimney should be relined in accordance with local codes and the authority having jurisdiction. The chimney should be relined with a listed metal liner, Type-B vent, or a listed chimney adapter kit shall be used to reduce condensation. If a condensate drain is required by local code, refer to the NFPA 54/ANSI Z223.1, Section 12.10 for additional information on condensate drains.
- b. Indicates the chimney exceeds the maximum permissible size in the tables, the chimney should be rebuilt or relined to conform to the requirements of the equipment being installed and the authority having jurisdiction.

A chimney without a clay tile liner, which is otherwise in good condition, shall be rebuilt to conform to ANSI/NFPA 211 or be lined with a UL listed metal liner or UL listed Type-B vent.

Relining with a listed metal liner or Type-B vent is considered to be a vent-in-a-chase.

If a metal liner or Type-B vent is used to line a chimney, no other appliance shall be vented into the annular space between the chimney and the metal liner.

**Exterior Masonry Chimney FAN + NAT  
Installations with Type-B Double-Wall Vent  
Connectors ©NFPA & AGA**

**Table 7 – Combined Appliance Maximum Input  
Rating in Thousands of Btuh per Hour**

| VENT HEIGHT<br>FT (M) | INTERNAL AREA OF CHIMNEY<br>SQ. IN. (SQ. MM) |               |               |               |
|-----------------------|--|---------------|---------------|---------------|
|                       | 12<br>(7741)                                 | 19<br>(12258) | 28<br>(18064) | 38<br>(24516) |
| 6 (1.8)               | 74   | 119           | 178           | 257           |
| 8 (2.4)               | 80   | 130           | 193           | 279           |
| 10 (3.0)              | 84   | 138           | 207           | 299           |
| 15 (4.5)              | NR   | 152           | 233           | 334           |
| 20 (6.0)              | NR   | NR            | 250           | 368           |
| 30 (9.1)              | NR   | NR            | NR            | 404           |

**Appliance Application Requirements**

Appliance operation has a significant impact on the performance of the venting system. If the appliances are sized, installed, adjusted, and operated properly, the venting system and/or the appliances should not suffer from condensation and corrosion. The venting system and all appliances shall be installed in accordance with applicable listings, standards, and codes.

The furnace should be sized to provide 100 percent of the design heating load requirement plus any margin that occurs because of furnace model size capacity increments. Heating load estimates can be made using approved methods available from Air Conditioning Contractors of America (Manual J); American Society of Heating, Refrigerating, and Air-Conditioning Engineers; or other approved engineering methods. Excessive oversizing of the furnace could cause the furnace and/or vent to fail prematurely.

When a metal vent or metal liner is used, the vent must be in good condition and be installed in accordance with the vent manufacturer’s instructions.

To prevent condensation in the furnace and vent system, the following precautions must be observed:

1. The return-air temperature must be at least 60°F db except for brief periods of time during warm-up from setback at no lower than 55°F (13°C) db or during initial start-up from a standby condition.
2. Adjust the gas input rate per the installation instructions. Low gas input rate causes low vent gas temperatures, causing condensation and corrosion in the furnace and/or venting system. Derating is permitted only for altitudes above 2000 Ft. (610 M).
3. Adjust the air temperature rise to the midpoint of the rise range or slightly above. Low air temperature rise can cause low vent gas temperature and potential for condensation problems.
4. Set the thermostat heat anticipator or cycle rate to reduce short cycling.

**CAUTION**

**BURN HAZARD**

Failure to follow this caution may result in personal injury. Hot vent pipe is within reach of small children when installed in downflow position.

See the following instruction.

**Table 8 – Minimum Allowable Input Rating of Space-Heating Appliance in Thousands of Btuh per Hour**

| VENT HEIGHT<br>FT. (M)                                      | INTERNAL AREA OF CHIMNEY<br>SQ. IN. (SQ. MM) |               |               |               |
|---|--|---------------|---------------|---------------|
|   | 12<br>(7741)                                 | 19<br>(12258) | 28<br>(18064) | 38<br>(24516) |
| Local 99% Winter Design Temperature: 17 to 26 degrees F     |  |               |               |               |
| 6   | 0  | 55            | 99            | 141           |
| 8   | 52   | 74            | 111           | 154           |
| 10  | NR   | 90            | 125           | 169           |
| 15  | NR   | NR            | 167           | 212           |
| 20  | NR   | NR            | 212           | 258           |
| 30  | NR   | NR            | NR            | 362           |
| Local 99% Winter Design Temperature: 5 to 16 degrees F*     |  |               |               |               |
| 6   | NR   | 78            | 121           | 166           |
| 8   | NR   | 94            | 135           | 182           |
| 10  | NR   | 111           | 149           | 198           |
| 15  | NR   | NR            | 193           | 247           |
| 20  | NR   | NR            | NR            | 293           |
| 30  | NR   | NR            | NR            | 377           |
| Local 99% Winter Design Temperature: –10 to 4 degrees F*    |  |               |               |               |
| 6   | NR   | NR            | 145           | 196           |
| 8   | NR   | NR            | 159           | 213           |
| 10  | NR   | NR            | 175           | 231           |
| 15  | NR   | NR            | NR            | 283           |
| 20  | NR   | NR            | NR            | 333           |
| 30  | NR   | NR            | NR            | NR            |
| Local 99% Winter Design Temperature: –11 degrees F or lower |  |               |               |               |
| Not recommended for any vent configuration.                 |  |               |               |               |

\*The 99.6% heating (db) temperatures found in the 1997 or 2001 ASHRAE Fundamentals Handbook, Climatic Design Information chapter, Table 1A (United States) and 2A (Canada) or the 2005 ASHRAE Fundamentals handbook, Climatic Design Information chapter, and the CD-ROM included with the 2005 ASHRAE Fundamentals Handbook.

Air for combustion must not be contaminated by halogen compounds which include chlorides, fluorides, bromides, and iodides. These compounds are found in many common home products such as detergent, paint, glue, aerosol spray, bleach, cleaning solvent, salt, and air freshener, and can cause corrosion of furnaces and vents. Avoid using such products in the combustion-air supply. Furnace use during construction of the building could cause the furnace to be exposed to halogen compounds, causing premature failure of the furnace or venting system due to corrosion.

Vent dampers on any appliance connected to the common vent can cause condensation and corrosion in the venting system. Do not use vent dampers on appliances common vented with this furnace.

**Additional Venting Requirements**

A 4-in. (102 mm) round vent elbow is supplied with the furnace. A 5-in. (127 mm) or 6-in. (152 mm) vent connector may be required for some model furnaces. A field-supplied 4-in. (102 mm) to 5-in. (127 mm) or 4-in. (102 mm) to 6-in. (152 mm) sheet metal increaser fitting is required when 5-in. (127 mm) or 6-in. (152 mm) vent connector is used. See Fig. 36 - 48, Venting Orientation for approved vent configurations.

**NOTE:** Vent connector length for connector sizing starts at furnace vent elbow. The 4-in. (102 mm) vent elbow is shipped for upflow configuration and may be rotated for other positions. Remove the three screws that secure vent elbow to furnace, rotate furnace vent elbow to position desired, reinstall screws. The factory-supplied vent elbow does NOT count as part of the number of vent connector elbows.

The vent connector can exit the furnace through one of five locations on the casing.

**CAUTION**

**CUT HAZARD**

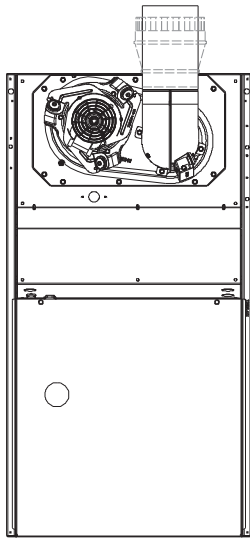
Failure to follow this caution may result in personal injury. Sheet metal parts may have sharp edges or burrs. Use care and wear appropriate protective clothing, safety glasses and gloves when handling parts, and servicing furnaces.

1. Attach the single wall vent connector to the furnace vent elbow, and fasten the vent connector to the vent elbow with at least two field-supplied, corrosion-resistant, sheet metal screws located 180° apart.

**NOTE:** An accessory flue extension is available to extend from the furnace elbow to outside the furnace casing. See Product Data Sheet for accessory listing. If flue extension is used, fasten the flue extension to the vent elbow with at least two field-supplied, corrosion-resistant, sheet metal screws located 180° apart. Fasten the vent connector to the flue extension with at least two field-supplied, corrosion resistant sheet metal screws located 180° apart.

2. Vent the furnace with the appropriate connector as shown in Fig. 36 - 48.
3. Determine the correct location of the knockout to be removed.
4. Use a hammer and screwdriver to strike a sharp blow between the tie points and work the slug back and forth until the slug breaks free.

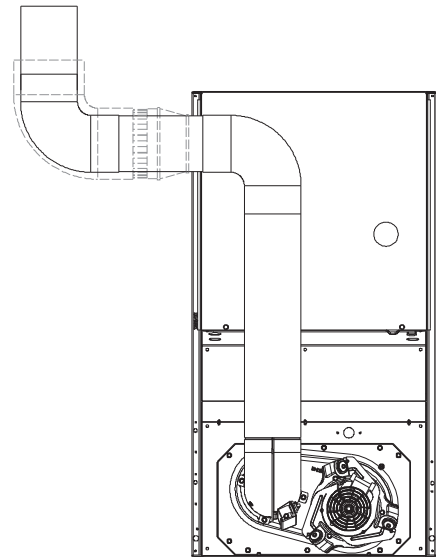
An accessory Vent Guard Kit is REQUIRED for downflow applications for use where the vent exits through the lower portion of the furnace casing. Refer to the Vent Guard Kit Instructions for complete details. See Product Data Sheet for accessory listing.



SEE NOTES: 1,2,4,7,8,9  
on the page following  
these figures

A03208

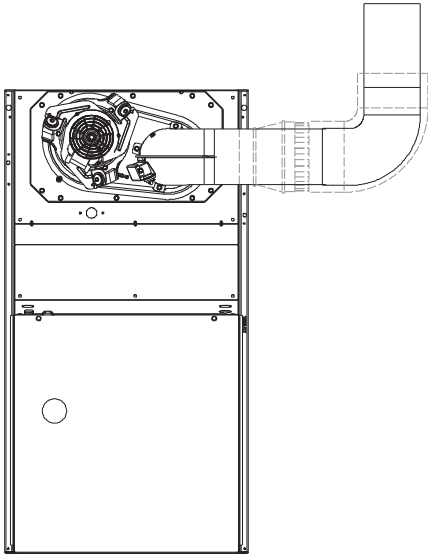
**Fig. 36 - Upflow Application - Vent Elbow Up**



SEE NOTES:1,2,3,4,5,7,8,9  
on the page following  
these figures

A03210

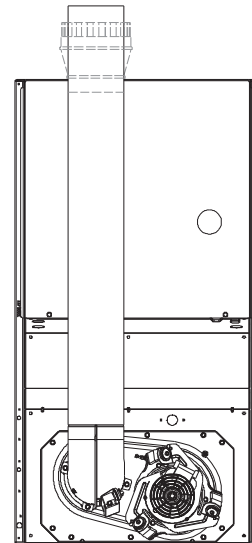
**Fig. 38 - Downflow Application - Vent Elbow Up then Left**



SEE NOTES: 1,2,3,4,7,8,9  
on the pages following  
these figures

A03209

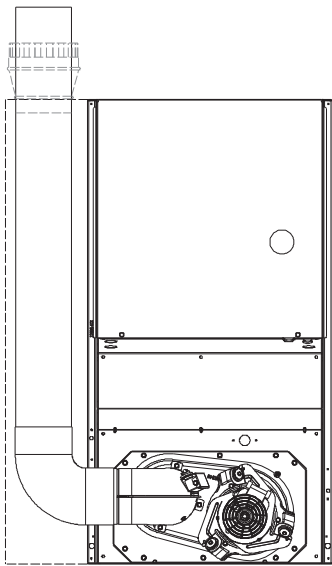
**Fig. 37 - Upflow Application - Vent Elbow Right**



SEE NOTES: 1,2,4,5,7,8,9  
on the page following  
these figures

A03211

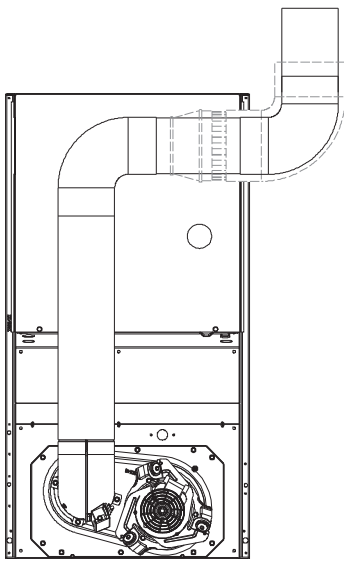
**Fig. 39 - Downflow Application - Vent Elbow Up**



SEE NOTES: 1,2,4,5,6,7,8,9,10  
on the page following these figures

**Fig. 40 - Downflow Application - Vent Elbow Left then Up**

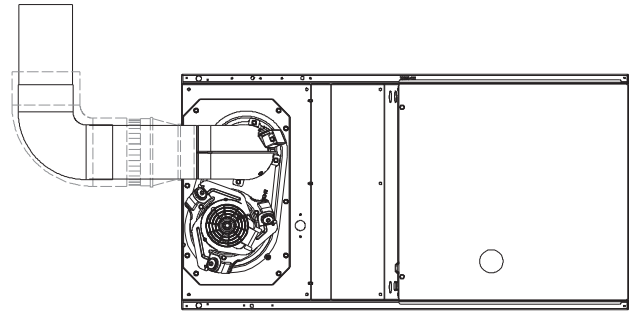
A03207



SEE NOTES:1,2,3,4,5,7,8,9  
on the page following  
these figures.

**Fig. 41 - Downflow Application - Vent Elbow Up then Right**

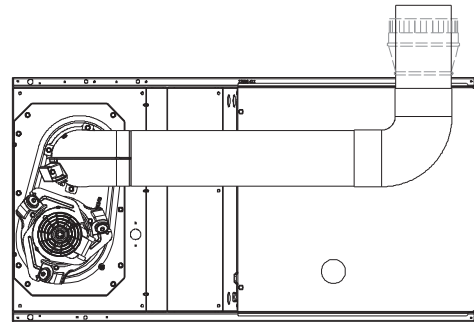
A03212



SEE NOTES: 1,2,4,7,8,9 on the page  
following these figures

**Fig. 42 - Horizontal Left Application - Vent Elbow Left**

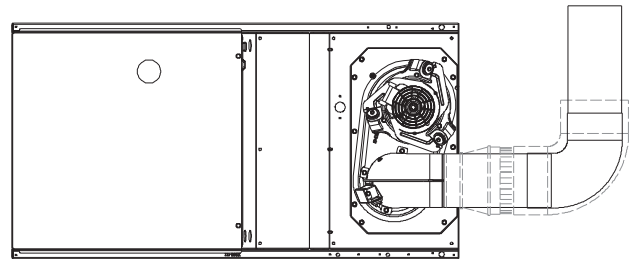
A03213



SEE NOTES: 1,2,4,5,7,8,9 on the page  
following these figures

**Fig. 43 - Horizontal Left Application - Vent Elbow Right  
then Up**

A03214

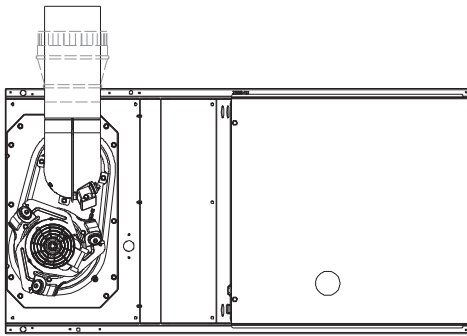


SEE NOTES: 1,2,4,7,8,9 on the page  
following these figures

**Fig. 44 - Horizontal Right Application - Vent Elbow Right**

A03218

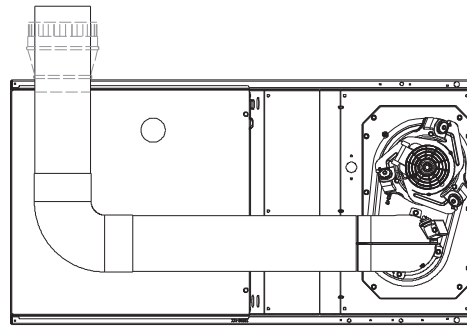




SEE NOTES: 1,2,4,5,7,8,9 on the page following these figures

**Fig. 45 - Horizontal Left Application - Vent Elbow Up**

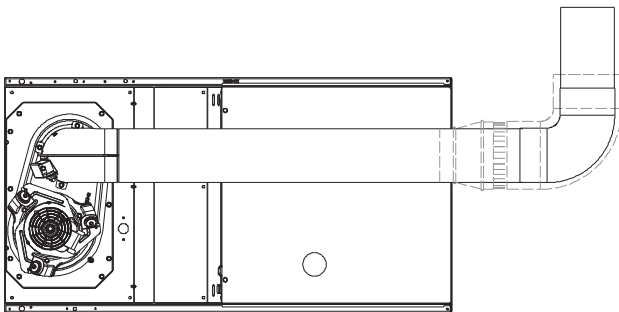
A03215



SEE NOTES: 1,2,4,5,7,8,9 on the page following these figures

**Fig. 47 - Horizontal Right Application - Vent Elbow Left then Up**

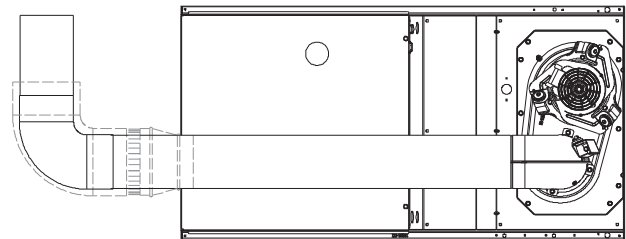
A03219



SEE NOTES: 1,2,4,5,7,8,9 on the page following these figures

**Fig. 46 - Horizontal Left Application - Vent Elbow Right**

A03216



SEE NOTES: 1,2,4,5,7,8,9

**Fig. 48 - Horizontal Right Application-Vent Elbow Left**

A02068

### VENTING NOTES FOR FIG. 36 - 48

1. For common vent, vent connector sizing and vent material: United States--use the NFGC.
2. Immediately increase to 5-in. (102 mm) or 6-in. (152 mm) vent connector outside furnace casing when 5-in. (127 mm) vent connector is required, refer to Note 1 above.
3. Side outlet vent for upflow and downflow installations must use Type B vent immediately after exiting the furnace, except when factory-approved Downflow Vent Guard Kit is used in the downflow position. See Product Data Sheet for accessory listing.
4. Type-B vent where required, refer to Note 1 above.
5. A 4-in.(102 mm) single-wall (26 ga. min.) vent must be used inside furnace casing and when the factory-approved Downflow Vent Guard Kit is used external to the furnace. See Product Data Sheet for accessory listing.
6. Accessory Downflow Vent Guard Kit required in downflow installations with lower vent configuration. See Product Data Sheet for accessory listing.
7. Chimney Adapter Kit may be required for exterior masonry chimney applications. Refer to Chimney Adapter Kit for sizing and complete application details. See Product Data Sheet for accessory listing.
8. Secure vent connector to furnace elbow with (2) corrosion-resistant sheet metal screws, spaced approximately 180° apart.
9. Secure all other single wall vent connector joints with (3) corrosion resistant screws spaced approximately 120° apart. Secure Type-B vent connectors per vent connector manufacturer's recommendations.

**Caution!! For the following applications, use the minimum vertical heights as specified below.  
For all other applications, follow exclusively the National Fuel Gas Code.**

| FURNACE ORIENTATION | VENT ORIENTATION                     | FURNACE INPUT (BTUH/HR) | MIN. VENT DIAMETER IN. (mm)* | MIN. VERTICAL VENT HEIGHT FT. (M)** |
|---------------------|--------------------------------------|-------------------------|------------------------------|-------------------------------------|
| Downflow            | Vent elbow up then left<br>Fig. 38   | 110,000                 | 5 (127)                      | 10 (3.0)                            |
| Downflow            | Vent elbow left, then up<br>Fig. 40  | 110,000<br>132,000      | 5 (127)                      | 12 (3.6)                            |
| Downflow            | Vent elbow up, then right<br>Fig. 41 | 110,000                 | 5 (127)                      | 10 (3.0)                            |
| Horizontal Left     | Vent elbow right, then up<br>Fig. 43 | 132,000                 | 5 (127)                      | 7 (2.1)                             |
| Horizontal Left     | Vent Elbow up<br>Fig. 45             | 132,000                 | 5 (127)                      | 7 (2.1)                             |

NOTE: All vent configurations must also meet National Fuel Gas Code venting requirements NFGC.

\*4-in. (102 mm) inside casing or vent guard

\*\*Including 4 in. (102 mm) vent section(s)

The horizontal portion of the venting system shall slope upwards not less than 1/4-in. per linear ft. (21 mm/m) from the furnace to the vent and shall be rigidly supported every 5 ft. (1.5 M) or less with metal hangers or straps to ensure there is no movement after installation.

#### **Sidewall Venting**

This furnace is not approved for direct sidewall horizontal venting.

Per section 12.4.3 of the NFPA 54/ANSI Z223.1, any listed mechanical venter may be used, when approved by the authority having jurisdiction.

Select the listed mechanical venter to match the Btuh input of the furnace being vented. Follow all manufacturer's installation requirements for venting and termination included with the listed mechanical venter.

### **START-UP, ADJUSTMENT, AND SAFETY CHECK**

#### **General**

## **⚠ WARNING**

### **FIRE HAZARD**

Failure to follow this warning could result in personal injury, death or property damage.

This furnace is equipped with manual reset limit switches in the gas control area. The switches open and shut off power to the gas valve, if a flame rollout or overheating condition occurs in the gas control area. **DO NOT** bypass the switches. Correct problem before resetting the switches.

1. Maintain 115-v wiring and ground. Improper polarity will result in rapid flashing LED and no furnace operation.
2. Make thermostat wire connections at the 24-v terminal block on the furnace control. Failure to make proper connections will result in improper operation. (See Fig. 23 - 34.)

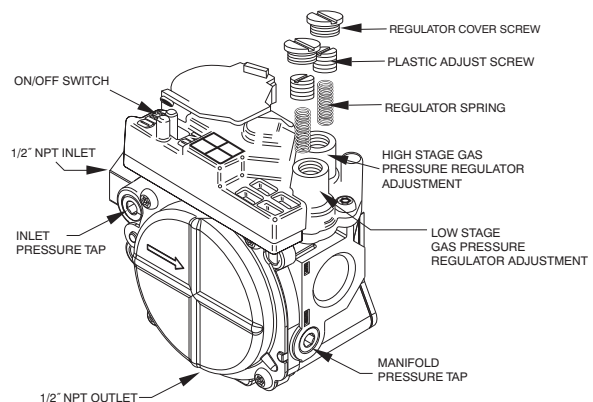
3. Gas supply pressure to the furnace must be greater than 4.5-In. W.C. (0.16 psig ) but not exceed 14-In. W.C. (0.5 psig).
4. Check all manual-reset switches for continuity.
5. Replace blower compartment door. Door must be in place to operate furnace.
6. Setup switch descriptions The variable speed furnace control has DIP switches to select thermostat staging, blower off delay timings, air flow selection and other operational or service related functions. (See Fig. 26, 55 and Table 52.)

## **⚠ CAUTION**

### **CUT HAZARD**

Failure to follow this caution may result in personal injury.

Sheet metal parts may have sharp edges or burrs. Use care and wear appropriate protective clothing, safety glasses and gloves when handling parts, and servicing furnaces.



**Fig. 49 - Redundant Automatic Gas Control Valve**

A04167

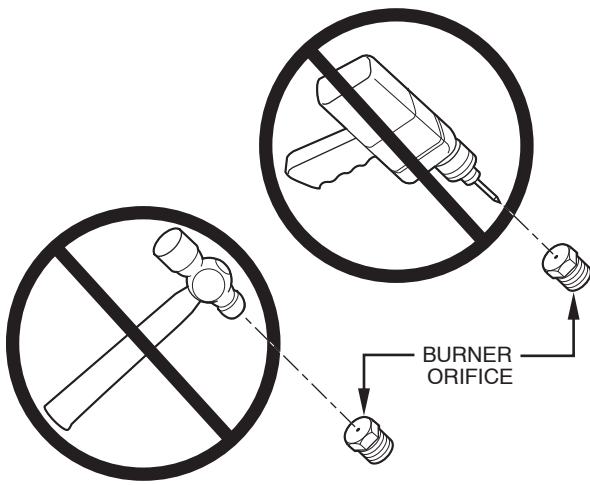


Fig. 50 - Orifice Hole

A93059

**Start-Up Procedures**

**⚠ WARNING**

**FIRE OR EXPLOSION HAZARD**

Failure to follow this warning could result in personal injury, death, and/or property damage.

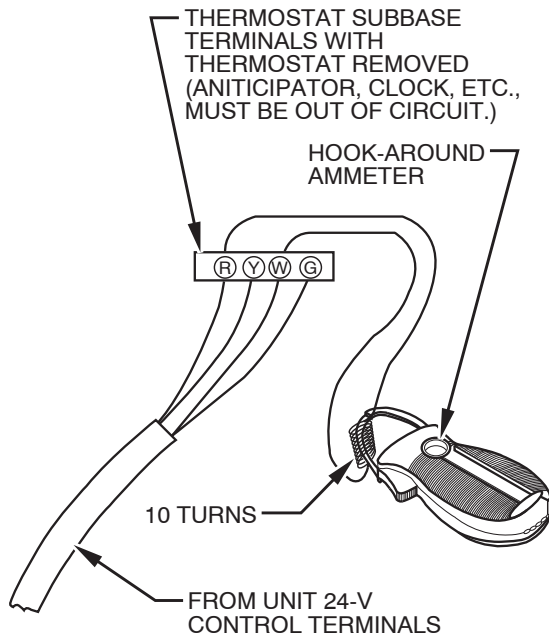
Never purge a gas line into a combustion chamber. Never test for gas leaks with an open flame. Use a commercially available soap solution made specifically for the detection of leaks to check all connections. A fire or explosion may result causing property damage, personal injury or loss of life.

**⚠ WARNING**

**ELECTRICAL SHOCK HAZARD**

Failure to follow this warning could result in personal injury, or death.

Blower access door switch opens 115-v power to control. No component operation can occur unless switch is closed. Caution must be taken when manually closing this switch for service purposes.



EXAMPLE:  $\frac{5.0 \text{ AMPS ON AMMETER}}{10 \text{ TURNS AROUND JAWS}} = 0.5 \text{ AMPS FOR THERMOSTAT ANTICIPATOR SETTING}$

Fig. 51 - Amp. Draw Check with Ammeter

A96316

1. Purge gas lines after all connections have been made.
2. Check gas lines for leaks.
3. To Begin Component Self-Test:  
Remove Blower Access Door. Disconnect the thermostat R lead from furnace control board. Manually close blower door switch. Turn Setup DIP switch SW1-6 ON. (See Fig. 26, 55 and Table 52.)

**NOTE:** The furnace control allows all components, except the gas valve, to be run for short period of time. This feature helps diagnose a system problem in case of a component failure. Component test feature will not operate if any thermostat signal is present at the control.

Refer to service label attached to furnace or See Fig. 54.

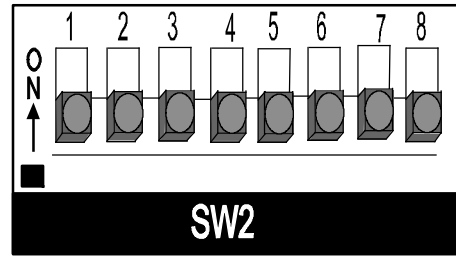
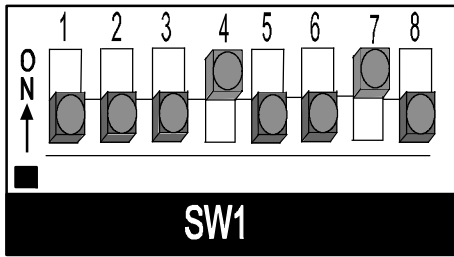
Component test sequence is as follows:

- a. Inducer motor starts on high-speed and continues to run until Step d. of component test sequence.
- b. Hot surface igniter is energized for 15 sec., then off.
- c. Blower motor operates for 15 sec.
- d. Inducer motor goes to low-speed for 10 sec., then stops.
- e. After component test is completed, one or more status codes 11 or 25 will flash. See component test section of service label (Fig. 54) in furnace for explanation of status codes.

**NOTE:** To repeat component test, turn setup switch SW1-6 OFF, then back ON.

4. Turn setup DIP switch SW1-6 OFF. Reconnect R lead to furnace control board, release blower door switch and re-install blower access door.
5. Operate furnace per instruction on inner door.
6. Verify furnace shut down by lowering thermostat setting below room temperature.
7. Verify furnace restarts by raising thermostat setting above room temperature.

## DIP SWITCH CONFIGURATION



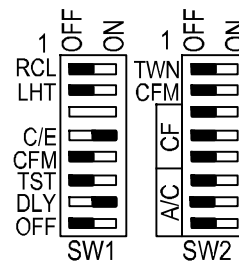
| SW1    |  |                         |
|--------|--|-------------------------|
| Switch | Description  | Factory                 |
| 1      | <b>Status Code Recovery</b> - Turn ON to retrieve status codes.  | See manual for use. OFF |
| 2      | <b>Low Heat Only</b> - SW1 - 2 OFF allows two-stage operation using single stage TSTAT (Adaptive Heat Mode). SW1 - 2 ON for two-stage operation using two-stage TSTAT. | OFF                     |
| 3      | <b>Not used</b>  | OFF                     |
| 4      | <b>Comfort/Efficiency Adjust</b> - Turn ON to decrease low-heat airflow by approximately 7% and high-heat approximately 10% for maximum comfort.                       | ON                      |
| 5      | <b>CFM per Ton Adjust</b> - See Airflow Tables in manual for desired settings. Also see SW2 - 2.   | OFF                     |
| 6      | <b>Component Self Test</b> - Turn ON to initiate Component disconnected. Turn OFF when Self Test is completed.   | OFF                     |
| 7 & 8  | <b>Blower Off Delay</b> - See manual or unit wiring diagram for settings. Adjustable 90 - 180 seconds. Factory default is 120 Seconds.                                 | 7-ON<br>8-OFF           |

| SW2    |  |         |
|--------|--|---------|
| Switch | Description  | Factory |
| 1      | <b>Twining</b> - When Twinned furnace setup is required, SW2 - 1 OFF selects the main furnace unit. SW2-1 ON selects the secondary furnace unit. See kit instructions for further details.                     | OFF     |
| 2      | <b>CFM per Ton Adjust</b> - See Airflow Tables in manual for desired settings. Also see SW1 - 5.   | OFF     |
| 3-5    | <b>CF Setup Switches</b> - The Continuous Fan setup switch selects airflow. See Cooling Air Delivery Tables and Continuous Fan delivery Tables (when present) for specific switch settings.                    | ALL OFF |
| 6-8    | <b>A/C Setup Switches</b> - The Air Conditioning setup switch selects desired cooling or high-stage cooling (two-stage units) airflow. See Cooling Air Delivery Tables in manual for specific switch settings. | ALL OFF |

A190048

Fig. 52 - Furnace Setup Switch Description

| A/C OR CF AIRFLOW BASED ON COOLING UNIT TONNAGE (FOR PWM MODELS) |      |                   |      |      |      |      |      |      |
|--|------|-------------------|------|------|------|------|------|------|
| MODEL SIZE   | CF   |                   | AC   |      | AC   |      | AC   |      |
|  | DEF. | 1.5T <sub>2</sub> | 2T   | 2.5T | 3T   | 3.5T | 4T   | 5.5T |
| 3T-045   | DEF. | 1.5T <sub>2</sub> | 2T   | 2.5T | 3T   | 3T   | 3T   | 3T   |
| 3T-070   | DEF. | 1.5T <sub>2</sub> | 2T   | 2.5T | 3T   | 3.5T | 3.5T | 3.5T |
| 4T-070   | DEF. | 1.5T <sub>2</sub> | 2T   | 2.5T | 3T   | 3.5T | 4T   | 4T   |
| 4T-090   | DEF. | 1.5T <sub>2</sub> | 2T   | 2.5T | 3T   | 3.5T | 4T   | 4T   |
| 5T-090   | DEF. | 2T <sub>2</sub>   | 2.5T | 3T   | 3.5T | 4T   | 5T   | 5.5T |
| 5.5T-110   | DEF. | 2T <sub>2</sub>   | 2.5T | 3T   | 3.5T | 4T   | 5T   | 5.5T |
| 5.5T-135   | DEF. | 2T <sub>2</sub>   | 2.5T | 3T   | 3.5T | 4T   | 5T   | 5.5T |



1. Default A/C airflow when A/C setup switches are in OFF position.
2. Default Low-Stage A/C airflow when CF switches are in OFF position

Fig. 53 - Airflow Selection (based on 350 CFM/TON) for A/C (SW2-6, 7, 8) and \*CF (SW2-3, 4, 5)

A190049

**SERVICE**

| LED CODE   | STATUS   | COMPONENT TEST   |
|--|--|--|
| <b>CONTINUOUS OFF</b> - Check for 115VAC at L1 and L2, and 24VAC at SEC-1 and SEC-2.   | If status code recall is needed disconnect the "R" thermostat lead, reset power, and put setup switch "SW1-1" in the ON position. To clear the status code history put setup switch "SW1-1" in the ON position and jumper thermostat terminals "R", "WWW1", and "YYZ" simultaneously until status code #11 is flashed.   | To initiate the component test sequence, shut OFF the room thermostat or disconnect the "R" thermostat lead. Reset power and then put setup switch "SW1-6" in the ON position to start the component test sequence. Once initiated the furnace control will turn the inducer ON at high-heat speed. The inducer motor will run for the entire test. The hot surface igniter and blower motor will be turned OFF for 15 seconds each. When the blower is turned OFF the inducer will be switched to low-speed for 10 seconds. When the component test is completed one or more of the following codes will flash. |
| <b>CONTINUOUS ON</b> - Control has 24VAC power.  |  |  |
| <b>RAPID FLASHING</b> - Line voltage (115VAC) polarity reversed.   |  |  |
| EACH OF THE FOLLOWING STATUS CODES IS A TWO DIGIT NUMBER WITH THE FIRST DIGIT DETERMINED BY THE NUMBER OF SHORT FLASHES AND THE SECOND DIGIT BY THE NUMBER OF LONG FLASHES.  |  |  |
| 11 NO PREVIOUS CODE - Stored status codes are erased automatically after 72 hours or as specified above.   | 32 Continued: Check for:<br>- Defective inducer motor<br>- Defective pressure switch<br>- Low inducer voltage (115 VAC)<br>- Disconnected or obstructed pressure tubing  | <b>CODE</b> <b>DESCRIPTION</b>   |
| 12 BLOWER ON AFTER POWER UP (115 VAC or 24 VAC) - Blower runs for 90 seconds, if unit is powered up during a call for heat (R-W/W1 closed) or (R-W/W1 opens) during blower on-delay period.  | 33 LIMIT CIRCUIT FAULT - Indicates a limit, draft safeguard, flame rollout, or blocked vent switch (if used) is open or the furnace is operating in high-heat only mode due to 2 successive low heat limit trips. Blower will run for 4 minutes or until open switch remarques whichever is longer. If open longer than 3 minutes, code changes to lockout #13. If open less than 3 minutes status code #33 continues to flash until blower shuts off. Flame rollout switch and BVSS require manual reset. Check for:<br>- Loose blower wheel<br>- Restricted vent<br>- Proper vent sizing<br>- Excessive wind<br>- Dirty filter or restricted duct system<br>- Defective switch or connections<br>- Inadequate combustion air supply (Flame Roll-out Switch open) | 11 Indicates no errors detected. Visual check of inducer motor, hot surface igniter and blower motor required.   |
| 13 LIMIT CIRCUIT LOCKOUT - Lockout occurs if a limit, draft safeguard, flame rollout, or blocked vent switch (if used) is open longer than 3 minutes or 10 successive limit trips occurred during high-heat. Control will auto reset after three hours. Refer to status code #33.  | 34 IGNITION PROVING FAILURE - Control will try four ignition trials before lockout #14 occurs. If flame signal lost during blower on-delay period, blower will come on for the selected blower off-delay. Check for:<br>- Oxide buildup on flame sensor (clean with fine steel wool)<br>- Proper flame sense microamps (.5 microamps D.C. min., 4.0 - 6.0 nominal)<br>- Manual valve shut-off<br>- Low inlet gas pressure<br>- Control ground continuity<br>- Gas valve defective or turned off<br>- Flame sensor must not be grounded<br>- Inadequate flame carryover or rough ignition   | 25 SETUP ERROR - Same as code 25 above.  |
| 14 IGNITION LOCKOUT - Control will auto-reset after three hours. Refer to status code #34.   | 43 LOW-HEAT PRESSURE SWITCH OPEN WHILE HIGH-HEAT PRESSURE SWITCH IS CLOSED - Check for:<br>- Mis-wired pressure switches<br>- Low-heat pressure switch stuck open<br>- Low inlet gas pressure (if LGPS used)<br>- Disconnected or obstructed pressure tubing   | To repeat component test turn setup switch "SW1-6" OFF and then back ON. After component test is completed put setup switch "SW1-6" in the OFF position and reconnect the "R" thermostat lead.   |
| 21 GAS HEATING LOCKOUT - Control will NOT auto reset. Check for:<br>- Mis-wired gas valve<br>- Defective control (valve relay)   | 45 CONTROL CIRCUITRY LOCKOUT Auto-reset after one hour lockout due to:<br>- Gas valve relay contact stuck open<br>- Flame sense circuit failure<br>- Software check error<br>Reset power to clear lockout. Replace control if status code repeats.   |  |
| 22 ABNORMAL FLAME-PROVING SIGNAL - Flame is proved while gas valve is de-energized. Inducer will run until fault is cleared. Check for:<br>- Leaky gas valve<br>- Stuck-open gas valve   |  |  |
| 23 PRESSURE SWITCH DID NOT OPEN Check for:<br>- Obstructed pressure tubing<br>- Pressure switch stuck closed   |  |  |
| 24 SECONDARY VOLTAGE FUSE IS OPEN Check for: - Short circuit in secondary voltage (24VAC) wiring.  |  |  |
| 25 INVALID MODEL SELECTION OR SETUP ERROR - Indicates either the model plug is missing or incorrect or, setup switch "SW1-1" or "SW1-6" is positioned improperly. If code flashes 4 times on power-up control is defaulting to model selection stored in memory. Check for: -Thermostat call with SW1-1, SW1-6 or both SW1-1 & SW1-6 ON. |  |  |
| 31 HIGH-HEAT PRESSURE SWITCH OR RELAY DID NOT CLOSE OR REOPENED - Control relay may be defective. Refer to status code #32.  |  |  |
| 32 LOW-HEAT PRESSURE SWITCH DID NOT CLOSE OR REOPENED - If open longer than five minutes, inducer shuts off for 15 minutes before retry. If opens during blower on-delay period, blower will come on for the selected blower off-delay. Check for: - Excessive wind<br>- Restricted vent<br>- Proper vent sizing                         |  |  |

340687-101 REV. A

A190047

**Fig. 54 - Service Label**

**Adjustments**

**⚠ WARNING**

**FIRE HAZARD**

Failure to follow this warning could result in personal injury, death and/or property damage.

DO NOT bottom out gas valve regulator adjusting screw. This can result in unregulated manifold pressure and result in excess overfire and heat exchanger failures.

**⚠ CAUTION**

**FURNACE DAMAGE HAZARD**

Failure to follow this caution may result in reduced furnace life.

DO NOT redrill orifices. Improper drilling (burrs, out-of-round holes, etc.) can cause excessive burner noise and misdirection of burner flames. This can result in flame impingement of heat exchangers, causing failures. (See Fig. 50.)

Furnace gas input rate on rating plate is for installations at altitudes up to 2000 Ft. (610 M). Furnace input rate must be within +/-2 percent of furnace rating plate input. For altitudes above 5500 Ft. (1676 M), a field-supplied high altitude pressure switch is required.

- Determine the correct gas input rate.  
The input rating for altitudes above 2,000 ft. (610 M) must be reduced by 4 percent for each 1,000 ft. (305 M) above sea level.  
For installations below 2000 Ft. (610 M), refer to the unit rating plate. For installations above 2000 Ft. (610 M), multiply the input on the rating plate by the de-rate multiplier in Table 9 for the correct input rate.
- Determine the correct orifice and manifold pressure adjustment. All models in all positions use Table 11 (22,000 Btuh per burner.) See input listed on rating plate.
  - Obtain average yearly gas heat value (at installed altitude) from local gas supplier.

- Obtain average yearly gas specific gravity from local gas supplier.
- Find installation altitude in Table 11.
- Find closest natural gas heat value and specific gravity in Table 11.
- Follow heat value and specific gravity lines to point of intersection to find orifice size and low-and high-heat manifold pressure settings for proper operation.
- Check and verify burner orifice size in furnace. NEVER ASSUME ORIFICE SIZE. ALWAYS CHECK AND VERIFY.

**NOTE:** If orifice hole appears damaged or it is suspected to have been redrilled, check orifice hole with a numbered drill bit of correct size. Never redrill an orifice. A burr-free and squarely aligned orifice hole is essential for proper flame characteristics.

- Replace orifice with correct size, if required by Table 11. Use only factory-supplied orifices. See EXAMPLE 1.

**Table 9 – Altitude Derate Multiplier for U.S.A.**

| ALTITUDE FT. (M)        | PERCENT OF DERATE | DERATE MULTIPLIER FACTOR* |
|-------------------------|-------------------|---------------------------|
| 0-2000 (0-610)          | 0                 | 1.00                      |
| 2001-3000 (610-914)     | 8-12              | 0.90                      |
| 3001-4000 (914-1219)    | 12-16             | 0.86                      |
| 4001-5000 (1219-1524)   | 16-20             | 0.82                      |
| 5001-6000 (1524-1829)   | 20-24             | 0.78                      |
| 6001-7000 (1829-2134)   | 24-28             | 0.74                      |
| 7001-8000 (2134-2438)   | 28-32             | 0.70                      |
| 8001-9000 (2438-2743)   | 32-36             | 0.66                      |
| 9001-10,000 (2743-3048) | 36-40             | 0.62                      |

**EXAMPLE 1: 0–2000 ft. (0–610 M) altitude**

For 22,000 Btuh per burner application use Table 11.

Heating value = 1000 Btuh/cu ft.

Specific gravity = 0.62

Therefore: Orifice No. 43\*

Manifold pressure: 3.7-In. W.C. for high-heat

1.6-In. W.C. for low-heat

\* Furnace is shipped with No. 43 orifices. In this example all main burner orifices are the correct size and do not need to be changed to obtain proper input rate.

3. Adjust manifold pressure to obtain low fire input rate. (See Fig. 49.)

- a. Turn gas valve ON/OFF switch to OFF.
- b. Remove manifold pressure tap plug from gas valve.
- c. Connect a water column manometer or similar device to manifold pressure tap.
- d. Turn gas valve ON/OFF switch to ON.
- e. Move setup SW1—2 on furnace control to ON position to lock furnace in low-heat operation. (See Table 52 and Fig. 26.)
- f. Manually close blower door switch.
- g. Jumper R and W/W1 thermostat connections on control to start furnace. (See Fig. 26.)
- h. Remove regulator adjustment cap from low heat gas valve pressure regulator (See Fig. 49.) and turn low-heat adjusting screw (3/16 or smaller flat-tipped screwdriver) counterclockwise (out) to decrease input rate or clockwise (in) to increase input rate.

**NOTE:** DO NOT set low-heat manifold pressure less than 1.4-In. W.C. or more than 1.7-In. W.C. for natural gas. If manifold pressure is outside this range, change main burner orifices.

- i. Install low-heat regulator adjustment cap.
  - j. Move setup switch SW1-2 to off position after completing low-heat adjustment.
  - k. Leave manometer or similar device connected and proceed to Step 4.
4. Adjust manifold pressure to obtain high fire input rate. (See Fig. 49.)

- a. Jumper R to W/W1 and W2 thermostat connections on furnace control. This keeps furnace locked in high-heat operation.
- b. Remove regulator adjustment cap from high-heat gas valve pressure regulator (See Fig. 49) and turn high heat adjusting screw (3/16-in. or smaller flat-tipped screwdriver) counterclockwise (out) to decrease input rate or clockwise (in) to increase input rate.

**NOTE:** DO NOT set high-heat manifold pressure less than 3.2-In. W.C. or more than 3.8 In. W.C. for natural gas. If manifold pressure is outside this range, change main burner orifices to obtain manifold pressure in this range.

- c. When correct input is obtained, replace caps that conceal gas valve regulator adjustment screws. Main burner flame should be clear blue, almost transparent.
  - d. Remove jumpers R to W/W1 and R to W2.
5. Verify natural gas input rate by clocking meter.

**NOTE:** Gas valve regulator adjustment caps must be in place for proper input to be clocked.

- a. Turn off all other gas appliances and pilots served by the meter.
- b. Move setup switch SW1-2 to ON position. This keeps furnace locked in low-heat operation.

- c. Jumper R to W/W1.
  - d. Run furnace for 3 minutes in low-heat operation.
  - e. Measure time (in sec) for gas meter to complete 1 revolution and note reading. The 2 or 5 cubic feet dial provides a more accurate measurement of gas flow.
  - f. Refer to Table 10 for cubic ft. of gas per hr.
  - g. Multiply gas rate cu ft./hr by heating value (Btuh/cu ft.) to obtain input. If clocked rate does not match required input from Step 1, increase manifold pressure to increase input or decrease manifold pressure to decrease input. Repeat steps b through e until correct low-heat input is achieved. Re-install low heat regulator seal cap on gas valve.
  - h. Move setup switch SW1-2 to OFF position and jumper R to W/W1, and W2. This keeps furnace locked in high-heat operation. Repeat items d through g for high-heat operation.
6. Set Temperature Rise

**NOTE:** Blower access door must be installed when taking temperature rise reading. Leaving blower access door off will result in incorrect temperature measurements.

## ⚠ CAUTION

### FURNACE DAMAGE HAZARD

Failure to follow this caution may result in shorten furnace life.

Set air temperature rise within limits specified on the rating plate to prevent reduced life of furnace components. Operation is within a few degrees of the mid-point of rise range when setup switch SW1-4 is OFF.

## ⚠ CAUTION

### UNIT DAMAGE HAZARD

Failure to follow this caution may result in overheating the heat exchangers or condensing flue gases in heat exchanger areas not designed for condensate.

Temperature rise must be within limits specified on unit rating plate. Operation is within a few degrees of midpoint of rise range when setup switch SW1-4 is OFF.

When setup switch SW1-4 is ON, operation will be near the high end of the rise range for improved comfort.

Furnace must operate within ranges of temperature rise specified on the furnace rating plate. Determine air temperature rise as follows:

- a. Place thermometers in return and supply ducts as near furnace as possible. Be sure thermometers do not see heat exchanger so that radiant heat does not affect readings. This practice is particularly important with straight-run ducts.
- b. When thermometer readings stabilize, subtract return-air temperature from supply-air temperature to determine air temperature rise.

**NOTE:** Temperature rise can be determined for low-heat operation by placing setup switch SW1-2 on furnace control in ON position. For high-heat operation, place setup switch SW1-2 in OFF position and jumper R-W2 on furnace control. DO NOT forget to return setup switch to OFF position and remove R-W2 jumper upon completion of testing.

- c. This furnace is capable of automatically providing proper airflow to maintain the temperature rise within the range specified on furnace rating plate. If temperature rise is outside this range, proceed as follows:
  - (1.) Check gas input for low- and high-heat operation.
  - (2.) Check derate for altitude if applicable.
  - (3.) Check all return and supply ducts for excessive restrictions causing static pressure greater than 0.5-In. W.C..
  - (4.) Ensure Comfort/Efficiency SW 1-4 on furnace control is in OFF=Efficiency position when a bypass humidifier is used. (See Fig. 26 for switch location.)
  - (5.) Make sure proper model plug is installed.
- d. Remove thermostat jumpers and release blower access door switch.
- e. Repeat Steps a through c as required to adjust for high heat temperature rise.
- f. When correct high heat input rate and temperature rise is achieved, turn gas valve ON/OFF switch to OFF.
- g. Release blower access door switch.
- h. Remove manometer or similar device from gas valve.
- i. Re-install manifold pressure tap plug in gas valve. (See Fig. 49.)

## **WARNING**

### **FIRE HAZARD**

Failure to follow this warning could result in personal injury, death, and/or property damage.

Reinstall manifold pressure tap plug in gas valve to prevent gas leak.

- j. Remove thermostat jumper wire from furnace control board.
- k. Turn gas valve ON/OFF switch to ON.

## **CAUTION**

### **FURNACE OVERHEATING HAZARD**

Failure to follow this caution may result in reduced furnace life.

Recheck temperature rise. It must be within limits specified on the rating plate. Recommended operation is at the mid-point of rise range or slightly above.

- l. Proceed to Step 6, "Set Blower Off Delay" before installing blower access door.
7. Set Blower Off Delay

- a. Remove blower access door if installed.
  - b. Turn Dip switch SW-7 or SW-8 ON or OFF for desired blower off delay. (See Table 52 and Fig. 26 and 55.)
8. Set thermostat heat anticipator.
- a. Mechanical thermostat. Set thermostat heat anticipator to match the amp. draw of the electrical components in the R-W/W1 circuit. Accurate amp. draw readings can be obtained at the wires normally connected to thermostat subbase terminals, R and W. The thermostat anticipator should NOT be in the circuit while measuring current.
    - (1.) Set SW1-2 switch on furnace control board to ON.
    - (2.) Remove thermostat from subbase or from wall.
    - (3.) Connect an amp. meter as shown in Fig. 51. across the R and W subbase terminals or R and W wires at wall.
    - (4.) Record amp. draw across terminals when furnace is in low heat and after blower starts.
    - (5.) Set heat anticipator on thermostat per thermostat instructions and install on subbase or wall.
    - (6.) Turn SW1-2 switch OFF.
    - (7.) Install blower access door.

- b. Electronic thermostat: Set cycle rate for 3 cycles per hr.

- 9. Set Airflow for Air Conditioning -Single Stage and High Stage Cooling

The ECM blower can be adjusted for a range of airflow for Low Speed or High Speed cooling. See Table 4-Air Delivery - CFM (With Filter ).

The cooling airflow is adjusted by turning Setup switches SW2-6, SW2-7 and SW2-8 either ON or OFF. Select the required airflow from Fig. 53.

**NOTE:** 5.5 ton airflow will truncate at 2200 cfm on applicable models. For a complete explanation of cooling airflow, refer to the section titled "Sequence of Operation."

- 10. The Continuous Fan airflow selection via Setup switches SW2-3, SW2-4, SW2-5 is also the switch setting for low-speed cooling when the furnace is used with a two-speed cooling or heat pump unit. Refer to Fig. 52 and 53 and the Adjustments section for setup switch configurations. This setup feature allows continuous fan airflow or low-cooling airflow to be adjusted.

The continuous fan speed can be further adjusted at the thermostat using the Continuous Blower Speed Selection from Thermostat function. Changing the continuous fan speed at the thermostat DOES NOT change the low speed cooling airflow selected at the control board. See the section titled Continuous Blower Speed Selection from Thermostat in the Sequence of Operation section of this document.



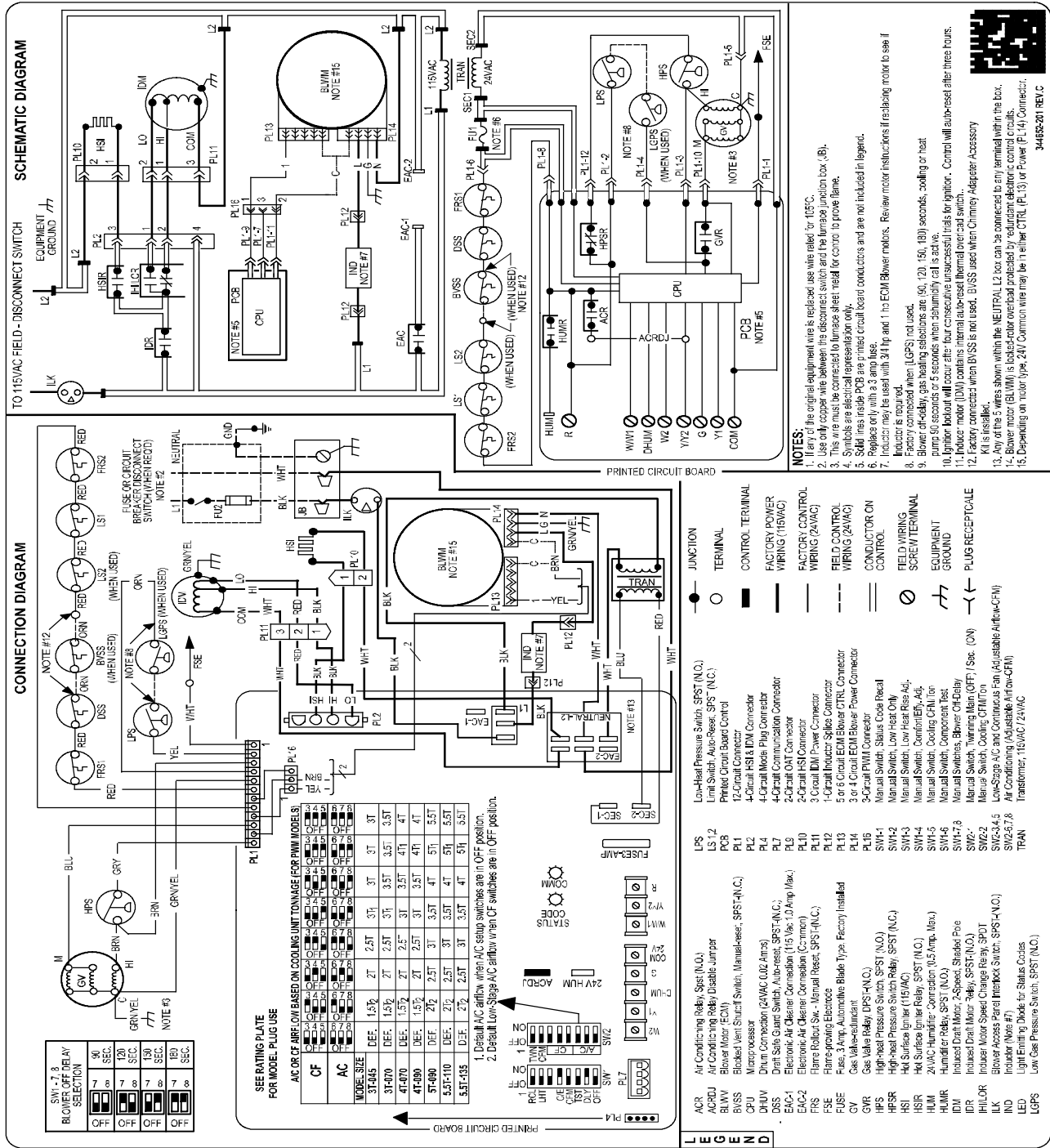


Fig. 55 - Wiring Diagram

Table 10 – Gas Rate (CU ft./hr)

| SECONDS G<br>FOR 1 REVOLUTION | SIZE OF TEST DIAL |          |          | SECONDS<br>FOR 1 REVOLUTION | SIZE OF TEST DIAL |          |          |
|-------------------------------|-------------------|----------|----------|-----------------------------|-------------------|----------|----------|
|                               | 1 Cu Ft.          | 2 Cu Ft. | 5 Cu Ft. |                             | 1 Cu Ft.          | 2 Cu Ft. | 5 Cu Ft. |
| 10                            | 360               | 720      | 1800     | 50                          | 72                | 144      | 360      |
| 11                            | 327               | 655      | 1636     | 51                          | 71                | 141      | 355      |
| 12                            | 300               | 600      | 1500     | 52                          | 69                | 138      | 346      |
| 13                            | 277               | 555      | 1385     | 53                          | 68                | 136      | 340      |
| 14                            | 257               | 514      | 1286     | 54                          | 67                | 133      | 333      |
| 15                            | 240               | 480      | 1200     | 55                          | 65                | 131      | 327      |
| 16                            | 225               | 450      | 1125     | 56                          | 64                | 129      | 321      |
| 17                            | 212               | 424      | 1059     | 57                          | 63                | 126      | 316      |
| 18                            | 200               | 400      | 1000     | 58                          | 62                | 124      | 310      |
| 19                            | 189               | 379      | 947      | 59                          | 61                | 122      | 305      |
| 20                            | 180               | 360      | 900      | 60                          | 60                | 120      | 300      |
| 21                            | 171               | 343      | 857      | 62                          | 58                | 116      | 290      |
| 22                            | 164               | 327      | 818      | 64                          | 56                | 112      | 281      |
| 23                            | 157               | 313      | 783      | 66                          | 54                | 109      | 273      |
| 24                            | 150               | 300      | 750      | 68                          | 53                | 106      | 265      |
| 25                            | 144               | 288      | 720      | 70                          | 51                | 103      | 257      |
| 26                            | 138               | 277      | 692      | 72                          | 50                | 100      | 250      |
| 27                            | 133               | 267      | 667      | 74                          | 48                | 97       | 243      |
| 28                            | 129               | 257      | 643      | 76                          | 47                | 95       | 237      |
| 29                            | 124               | 248      | 621      | 78                          | 46                | 92       | 231      |
| 30                            | 120               | 240      | 600      | 80                          | 45                | 90       | 225      |
| 31                            | 116               | 232      | 581      | 82                          | 44                | 88       | 220      |
| 32                            | 113               | 225      | 563      | 84                          | 43                | 86       | 214      |
| 33                            | 109               | 218      | 545      | 86                          | 42                | 84       | 209      |
| 34                            | 106               | 212      | 529      | 88                          | 41                | 82       | 205      |
| 35                            | 103               | 206      | 514      | 90                          | 40                | 80       | 200      |
| 36                            | 100               | 200      | 500      | 92                          | 39                | 78       | 196      |
| 37                            | 97                | 195      | 486      | 94                          | 38                | 76       | 192      |
| 38                            | 95                | 189      | 474      | 96                          | 38                | 75       | 188      |
| 39                            | 92                | 185      | 462      | 98                          | 37                | 74       | 184      |
| 40                            | 90                | 180      | 450      | 100                         | 36                | 72       | 180      |
| 41                            | 88                | 176      | 439      | 102                         | 35                | 71       | 178      |
| 42                            | 86                | 172      | 429      | 104                         | 35                | 69       | 173      |
| 43                            | 84                | 167      | 419      | 106                         | 34                | 68       | 170      |
| 44                            | 82                | 164      | 409      | 108                         | 33                | 67       | 167      |
| 45                            | 80                | 160      | 400      | 110                         | 33                | 65       | 164      |
| 46                            | 78                | 157      | 391      | 112                         | 32                | 64       | 161      |
| 47                            | 76                | 153      | 383      | 116                         | 31                | 62       | 155      |
| 48                            | 75                | 150      | 375      | 120                         | 30                | 60       | 150      |
| 49                            | 73                | 147      | 367      |                             |                   |          |          |

**Table 11 – Orifice Size and Manifold Pressure (In. W.C.) for Gas Input Rate**  
**(Tabulated Data Based on 22,000 Btuh High-Heat/14,500 Btuh for Low-Heat per Burner, Derated 4 Percent for Each 1000 Ft.**  
**(305 M) Above Sea Level)**

| ALTITUDE RANGE<br>FT. (M) |                                      | AVG. GAS<br>HEAT VALUE<br>(BTUH/CU FT.) | SPECIFIC GRAVITY OF NATURAL GAS |                                  |                |                                  |                |                                  |                |                                  |
|---------------------------|--------------------------------------|---|---------------------------------|----------------------------------|----------------|----------------------------------|----------------|----------------------------------|----------------|----------------------------------|
|                           |                                      |   | 0.58                            |                                  | 0.60           |                                  | 0.62           |                                  | 0.64           |                                  |
|                           |                                      |   | Orifice<br>No.                  | Manifold<br>Pressure<br>High/Low | Orifice<br>No. | Manifold<br>Pressure<br>High/Low | Orifice<br>No. | Manifold<br>Pressure<br>High/Low | Orifice<br>No. | Manifold<br>Pressure<br>High/Low |
| USA                       | 0 to<br>2000<br>(0 to 610)           | 900                                     | 42                              | 3.5/1.5                          | 42             | 3.6/1.6                          | 42             | 3.7/1.6                          | 41             | 3.5/1.5                          |
|                           |                                      | 925                                     | 42                              | 3.3/1.4                          | 42             | 3.4/1.5                          | 42             | 3.5/1.5                          | 42             | 3.7/1.6                          |
|                           |                                      | 950                                     | 43                              | 3.8/1.7                          | 42             | 3.3/1.4                          | 42             | 3.4/1.5                          | 42             | 3.5/1.5                          |
|                           |                                      | 975                                     | 43                              | 3.6/1.6                          | 43             | 3.8/1.6                          | 42             | 3.2/1.4                          | 42             | 3.3/1.4                          |
|                           |                                      | 1000                                    | 43                              | 3.5/1.5                          | 43             | 3.6/1.6                          | 43             | 3.7/1.6                          | 43             | 3.8/1.7                          |
|                           |                                      | 1025                                    | 43                              | 3.3/1.4                          | 43             | 3.4/1.5                          | 43             | 3.5/1.5                          | 43             | 3.6/1.6                          |
|                           |                                      | 1050                                    | 44                              | 3.6/1.6                          | 43             | 3.2/1.4                          | 43             | 3.4/1.5                          | 43             | 3.5/1.5                          |
|                           |                                      | 1075                                    | 44                              | 3.4/1.5                          | 44             | 3.5/1.5                          | 43             | 3.2/1.4                          | 43             | 3.3/1.4                          |
| 1100                      | 44                                   | 3.3/1.4                                 | 44                              | 3.4/1.5                          | 44             | 3.5/1.5                          | 43             | 3.2/1.4                          |                |                                  |
| ALTITUDE RANGE<br>FT. (M) |                                      | AVG. GAS<br>HEAT VALUE<br>(BTUH/CU FT.) | SPECIFIC GRAVITY OF NATURAL GAS |                                  |                |                                  |                |                                  |                |                                  |
|                           |                                      |   | 0.58                            |                                  | 0.60           |                                  | 0.62           |                                  | 0.64           |                                  |
|                           |                                      |   | Orifice<br>No.                  | Manifold<br>Pressure<br>High/Low | Orifice<br>No. | Manifold<br>Pressure<br>High/Low | Orifice<br>No. | Manifold<br>Pressure<br>High/Low | Orifice<br>No. | Manifold<br>Pressure<br>High/Low |
| USA                       | 2001 to<br>3000 (610<br>to 914)      | 800                                     | 42                              | 3.4/1.5                          | 42             | 3.5/1.5                          | 42             | 3.6/1.6                          | 42             | 3.7/1.6                          |
|                           |                                      | 825                                     | 42                              | 3.2/1.4                          | 42             | 3.3/1.4                          | 42             | 3.4/1.5                          | 42             | 3.5/1.5                          |
|                           |                                      | 850                                     | 43                              | 3.7/1.6                          | 43             | 3.8/1.6                          | 42             | 3.2/1.4                          | 42             | 3.3/1.4                          |
|                           |                                      | 875                                     | 43                              | 3.5/1.5                          | 43             | 3.6/1.6                          | 43             | 3.7/1.6                          | 43             | 3.8/1.7                          |
|                           |                                      | 900                                     | 43                              | 3.3/1.4                          | 43             | 3.4/1.5                          | 43             | 3.5/1.5                          | 43             | 3.6/1.6                          |
|                           |                                      | 925                                     | 44                              | 3.5/1.5                          | 43             | 3.2/1.4                          | 43             | 3.3/1.4                          | 43             | 3.4/1.5                          |
|                           |                                      | 950                                     | 44                              | 3.4/1.5                          | 44             | 3.5/1.5                          | 44             | 3.6/1.6                          | 43             | 3.2/1.4                          |
|                           |                                      | 975                                     | 44                              | 3.2/1.4                          | 44             | 3.3/1.4                          | 44             | 3.4/1.5                          | 44             | 3.5/1.5                          |
| 1000                      | 45                                   | 3.7/1.6                                 | 45                              | 3.8/1.7                          | 44             | 3.2/1.4                          | 44             | 3.4/1.5                          |                |                                  |
| ALTITUDE RANGE<br>FT. (M) |                                      | AVG. GAS<br>HEAT VALUE<br>(BTUH/CU FT.) | SPECIFIC GRAVITY OF NATURAL GAS |                                  |                |                                  |                |                                  |                |                                  |
|                           |                                      |   | 0.58                            |                                  | 0.60           |                                  | 0.62           |                                  | 0.64           |                                  |
|                           |                                      |   | Orifice<br>No.                  | Manifold<br>Pressure<br>High/Low | Orifice<br>No. | Manifold<br>Pressure<br>High/Low | Orifice<br>No. | Manifold<br>Pressure<br>High/Low | Orifice<br>No. | Manifold<br>Pressure<br>High/Low |
| USA                       | 3001 to<br>4000<br>(914 to<br>1219)  | 775                                     | 42                              | 3.2/1.4                          | 42             | 3.3/1.4                          | 42             | 3.4/1.5                          | 42             | 3.5/1.5                          |
|                           |                                      | 800                                     | 43                              | 3.6/1.6                          | 43             | 3.8/1.6                          | 42             | 3.2/1.4                          | 42             | 3.3/1.4                          |
|                           |                                      | 825                                     | 43                              | 3.4/1.5                          | 43             | 3.5/1.5                          | 43             | 3.7/1.6                          | 43             | 3.8/1.6                          |
|                           |                                      | 850                                     | 43                              | 3.2/1.4                          | 43             | 3.3/1.4                          | 43             | 3.4/1.5                          | 43             | 3.6/1.5                          |
|                           |                                      | 875                                     | 44                              | 3.5/1.5                          | 44             | 3.6/1.6                          | 43             | 3.3/1.4                          | 43             | 3.4/1.5                          |
|                           |                                      | 900                                     | 44                              | 3.3/1.4                          | 44             | 3.4/1.5                          | 44             | 3.5/1.5                          | 43             | 3.2/1.4                          |
|                           |                                      | 925                                     | 45                              | 3.8/1.6                          | 44             | 3.2/1.4                          | 44             | 3.3/1.5                          | 44             | 3.4/1.5                          |
|                           |                                      | 950                                     | 46                              | 3.8/1.6                          | 45             | 3.7/1.6                          | 45             | 3.8/1.7                          | 44             | 3.3/1.4                          |
| ALTITUDE RANGE<br>FT. (M) |                                      | AVG. GAS<br>HEAT VALUE<br>(BTUH/CU FT.) | SPECIFIC GRAVITY OF NATURAL GAS |                                  |                |                                  |                |                                  |                |                                  |
|                           |                                      |   | 0.58                            |                                  | 0.60           |                                  | 0.62           |                                  | 0.64           |                                  |
|                           |                                      |   | Orifice<br>No.                  | Manifold<br>Pressure<br>High/Low | Orifice<br>No. | Manifold<br>Pressure<br>High/Low | Orifice<br>No. | Manifold<br>Pressure<br>High/Low | Orifice<br>No. | Manifold<br>Pressure<br>High/Low |
| USA                       | 4001 to<br>5000<br>(1219 to<br>1524) | 750                                     | 43                              | 3.6/1.6                          | 43             | 3.8/1.6                          | 42             | 3.2/1.4                          | 42             | 3.3/1.4                          |
|                           |                                      | 775                                     | 43                              | 3.4/1.5                          | 43             | 3.5/1.5                          | 43             | 3.6/1.6                          | 43             | 3.8/1.6                          |
|                           |                                      | 800                                     | 43                              | 3.2/1.4                          | 43             | 3.3/1.4                          | 43             | 3.4/1.5                          | 43             | 3.5/1.5                          |
|                           |                                      | 825                                     | 44                              | 3.4/1.5                          | 44             | 3.6/1.5                          | 43             | 3.2/1.4                          | 43             | 3.3/1.4                          |
|                           |                                      | 850                                     | 44                              | 3.2/1.4                          | 44             | 3.4/1.5                          | 44             | 3.5/1.5                          | 44             | 3.6/1.6                          |
|                           |                                      | 875                                     | 45                              | 3.7/1.6                          | 45             | 3.8/1.7                          | 44             | 3.3/1.4                          | 44             | 3.4/1.5                          |
|                           |                                      | 900                                     | 46                              | 3.7/1.6                          | 46             | 3.8/1.7                          | 45             | 3.7/1.6                          | 44             | 3.2/1.4                          |
|                           |                                      | 925                                     | 46                              | 3.5/1.5                          | 46             | 3.6/1.6                          | 46             | 3.7/1.6                          | 46             | 3.8/1.7                          |

\* Orifice numbers 43 are factory installed

**Table 11 - Orifice Size and Manifold Pressure (In. W.C.) for Gas Input Rate (Con't.)**  
 (Tabulated Data Based on 22,000 Btuh High-Heat/14,500 Btuh for Low-Heat per Burner, Derated 4 Percent for Each 1000 Ft. Above Sea Level)

| ALTITUDE RANGE FT. (M) |                               | AVG. GAS HEAT VALUE AT ALTITUDE (BTUH/CU FT.) | SPECIFIC GRAVITY OF NATURAL GAS |                            |             |                            |             |                            |             |                            |
|------------------------|-------------------------------|---|---------------------------------|----------------------------|-------------|----------------------------|-------------|----------------------------|-------------|----------------------------|
|                        |                               |   | 0.58                            |                            | 0.60        |                            | 0.62        |                            | 0.64        |                            |
|                        |                               |   | Orifice No.                     | Manifold Pressure High/Low | Orifice No. | Manifold Pressure High/Low | Orifice No. | Manifold Pressure High/Low | Orifice No. | Manifold Pressure High/Low |
| USA                    | 5001 to 6000 (1524 to 1829)   | 725   | 43                              | 3.4/1.5                    | 43          | 3.5/1.5                    | 43          | 3.6/1.6                    | 43          | 3.7/1.6                    |
|                        |                               | 750   | 43                              | 3.2/1.4                    | 43          | 3.3/1.4                    | 43          | 3.4/1.5                    | 43          | 3.5/1.5                    |
|                        |                               | 775   | 44                              | 3.4/1.5                    | 44          | 3.5/1.5                    | 43          | 3.2/1.4                    | 43          | 3.3/1.4                    |
|                        |                               | 800   | 44                              | 3.2/1.4                    | 44          | 3.3/1.4                    | 44          | 3.4/1.5                    | 44          | 3.5/1.5                    |
|                        |                               | 825   | 46                              | 3.8/1.7                    | 45          | 3.8/1.6                    | 44          | 3.2/1.4                    | 44          | 3.3/1.4                    |
|                        |                               | 850   | 46                              | 3.6/1.6                    | 46          | 3.7/1.6                    | 46          | 3.8/1.7                    | 45          | 3.8/1.6                    |
|                        |                               | 875   | 47                              | 3.8/1.7                    | 46          | 3.5/1.5                    | 46          | 3.6/1.6                    | 46          | 3.7/1.6                    |
|                        |                               | 900   | 47                              | 3.6/1.6                    | 47          | 3.8/1.6                    | 46          | 3.4/1.5                    | 46          | 3.5/1.5                    |
| ALTITUDE RANGE FT. (M) |                               | AVG. GAS HEAT VALUE AT ALTITUDE (BTUH/CU FT.) | SPECIFIC GRAVITY OF NATURAL GAS |                            |             |                            |             |                            |             |                            |
|                        |                               |   | 0.58                            |                            | 0.60        |                            | 0.62        |                            | 0.64        |                            |
|                        |                               |   | Orifice No.                     | Manifold Pressure High/Low | Orifice No. | Manifold Pressure High/Low | Orifice No. | Manifold Pressure High/Low | Orifice No. | Manifold Pressure High/Low |
| USA                    | 6001 to 7000 (1829 to 2134)   | 675   | 43                              | 3.4/1.5                    | 43          | 3.5/1.5                    | 43          | 3.6/1.6                    | 43          | 3.7/1.6                    |
|                        |                               | 700   | 44                              | 3.6/1.6                    | 43          | 3.3/1.4                    | 43          | 3.4/1.5                    | 43          | 3.5/1.5                    |
|                        |                               | 725   | 44                              | 3.4/1.5                    | 44          | 3.5/1.5                    | 44          | 3.6/1.6                    | 43          | 3.2/1.4                    |
|                        |                               | 750   | 45                              | 3.8/1.7                    | 44          | 3.3/1.4                    | 44          | 3.4/1.5                    | 44          | 3.5/1.5                    |
|                        |                               | 775   | 46                              | 3.7/1.6                    | 45          | 3.7/1.6                    | 45          | 3.8/1.7                    | 44          | 3.2/1.4                    |
|                        |                               | 800   | 46                              | 3.5/1.5                    | 46          | 3.6/1.6                    | 46          | 3.8/1.6                    | 45          | 3.7/1.6                    |
|                        |                               | 825   | 47                              | 3.7/1.6                    | 46          | 3.4/1.5                    | 46          | 3.5/1.5                    | 46          | 3.6/1.6                    |
|                        |                               | 850   | 47                              | 3.5/1.5                    | 47          | 3.6/1.6                    | 47          | 3.8/1.6                    | 46          | 3.4/1.5                    |
| ALTITUDE RANGE FT. (M) |                               | AVG. GAS HEAT VALUE AT ALTITUDE (BTUH/CU FT.) | SPECIFIC GRAVITY OF NATURAL GAS |                            |             |                            |             |                            |             |                            |
|                        |                               |   | 0.58                            |                            | 0.60        |                            | 0.62        |                            | 0.64        |                            |
|                        |                               |   | Orifice No.                     | Manifold Pressure High/Low | Orifice No. | Manifold Pressure High/Low | Orifice No. | Manifold Pressure High/Low | Orifice No. | Manifold Pressure High/Low |
| USA                    | 7001 to 8000 (2134 to 2438)   | 650   | 44                              | 3.6/1.6                    | 43          | 3.2/1.4                    | 43          | 3.4/1.5                    | 43          | 3.5/1.5                    |
|                        |                               | 675   | 44                              | 3.3/1.5                    | 44          | 3.5/1.5                    | 44          | 3.6/1.6                    | 43          | 3.2/1.4                    |
|                        |                               | 700   | 45                              | 3.8/1.6                    | 44          | 3.2/1.4                    | 44          | 3.3/1.4                    | 44          | 3.4/1.5                    |
|                        |                               | 725   | 46                              | 3.7/1.6                    | 46          | 3.8/1.7                    | 45          | 3.7/1.6                    | 44          | 3.2/1.4                    |
|                        |                               | 750   | 46                              | 3.4/1.5                    | 46          | 3.6/1.5                    | 46          | 3.7/1.6                    | 46          | 3.8/1.6                    |
|                        |                               | 775   | 47                              | 3.6/1.6                    | 47          | 3.8/1.6                    | 46          | 3.4/1.5                    | 46          | 3.6/1.5                    |
|                        |                               | 800   | 47                              | 3.4/1.5                    | 47          | 3.5/1.5                    | 47          | 3.7/1.6                    | 47          | 3.8/1.6                    |
|                        |                               | 825   | 48                              | 3.7/1.6                    | 48          | 3.8/1.6                    | 47          | 3.4/1.5                    | 47          | 3.6/1.5                    |
| ALTITUDE RANGE FT. (M) |                               | AVG. GAS HEAT VALUE AT ALTITUDE (BTUH/CU FT.) | SPECIFIC GRAVITY OF NATURAL GAS |                            |             |                            |             |                            |             |                            |
|                        |                               |   | 0.58                            |                            | 0.60        |                            | 0.62        |                            | 0.64        |                            |
|                        |                               |   | Orifice No.                     | Manifold Pressure High/Low | Orifice No. | Manifold Pressure High/Low | Orifice No. | Manifold Pressure High/Low | Orifice No. | Manifold Pressure High/Low |
| USA                    | 8001 to 9000 (2438 to 2743)   | 625   | 44                              | 3.3/1.5                    | 44          | 3.5/1.5                    | 44          | 3.6/1.6                    | 43          | 3.2/1.4                    |
|                        |                               | 650   | 45                              | 3.7/1.6                    | 44          | 3.2/1.4                    | 44          | 3.3/1.4                    | 44          | 3.4/1.5                    |
|                        |                               | 675   | 46                              | 3.6/1.6                    | 46          | 3.8/1.6                    | 45          | 3.7/1.6                    | 45          | 3.8/1.7                    |
|                        |                               | 700   | 47                              | 3.8/1.7                    | 46          | 3.5/1.5                    | 46          | 3.6/1.6                    | 46          | 3.7/1.6                    |
|                        |                               | 725   | 47                              | 3.6/1.6                    | 47          | 3.7/1.6                    | 47          | 3.8/1.7                    | 46          | 3.5/1.5                    |
|                        |                               | 750   | 48                              | 3.8/1.7                    | 47          | 3.5/1.5                    | 47          | 3.6/1.6                    | 47          | 3.7/1.6                    |
|                        |                               | 775   | 48                              | 3.6/1.5                    | 48          | 3.7/1.6                    | 48          | 3.8/1.7                    | 47          | 3.5/1.5                    |
|                        |                               | 600   | 45                              | 3.7/1.6                    | 45          | 3.8/1.7                    | 44          | 3.3/1.4                    | 44          | 3.4/1.5                    |
| USA                    | 9001 to 10,000 (2743 to 3048) | 625   | 46                              | 3.6/1.6                    | 46          | 3.7/1.6                    | 46          | 3.8/1.7                    | 45          | 3.8/1.6                    |
|                        |                               | 650   | 47                              | 3.8/1.6                    | 46          | 3.4/1.5                    | 46          | 3.6/1.5                    | 46          | 3.7/1.6                    |
|                        |                               | 675   | 47                              | 3.5/1.5                    | 47          | 3.6/1.6                    | 47          | 3.7/1.6                    | 46          | 3.4/1.5                    |
|                        |                               | 700   | 48                              | 3.7/1.6                    | 48          | 3.8/1.7                    | 47          | 3.5/1.5                    | 47          | 3.6/1.6                    |
|                        |                               | 725   | 48                              | 3.5/1.5                    | 48          | 3.6/1.6                    | 48          | 3.7/1.6                    | 48          | 3.8/1.7                    |

\* Orifice numbers 43 are factory installed

### Check Safety Controls

The flame sensor, gas valve, and pressure switch were all checked in the Start-up procedure section as part of normal operation.

#### 1. Check Main Limit Switch

This control shuts off combustion system and energizes air-circulating blower motor, if furnace overheats. By using this method to check limit control, it can be established that limit is functioning properly and will operate if there is a restricted return-air supply or motor failure. If limit control does not function during this test, cause must be determined and corrected.

- a. Run furnace for at least 5 minutes.
  - b. Gradually block off return air with a piece of cardboard or sheet metal until the limit trips.
  - c. Unblock return air to permit normal circulation.
  - d. Burners will re-light when furnace cools down.
- #### 2. Check draft safeguard switch. The purpose of this control is to cause the safe shutdown of the furnace during certain blocked vent conditions.
- a. Verify vent pipe is cool to the touch.
  - b. Disconnect power to furnace and remove vent connector from furnace vent elbow.
  - c. Restore power to furnace and set room thermostat above room temperature.
  - d. After normal start-up, allow furnace to operate for 2 minutes, then block vent elbow in furnace 80 percent of vent area with a piece of flat sheet metal.
  - e. Furnace should cycle off within 2 minutes. If gas does not shut off within 2 minutes, determine reason draft safeguard switch did not function properly and correct condition.
  - f. Remove blockage from furnace vent elbow.
  - g. Switch will auto-reset when it cools.
  - h. Re-install vent connector.

**NOTE:** Should switch remain open longer than 3 minutes, furnace control board will lockout the furnace for 3 hours. To reset furnace control board, turn thermostat below room temperature or from HEAT to OFF and turn 115-v power OFF, then back ON.

#### 3. Check Pressure Switch(es)

This control proves operation of the draft inducer blower.

- a. Turn off 115-v power to furnace.
- b. Disconnect inducer motor lead wires from wire harness.
- c. Turn on 115-v power to furnace.
- d. Set thermostat to "call for heat" and wait 1 minute. When pressure switch is functioning properly, hot surface igniter should NOT glow and control diagnostic light flashes a status code 32. If hot surface igniter glows when inducer motor is disconnected, shut down furnace immediately.
- e. Determine reason pressure switch did not function properly and correct condition.
- f. Turn off 115-v power to furnace.
- g. Reconnect inducer motor wires, replace outer door, and turn on 115-v power.
- h. Blower will run for 90 seconds before beginning the call for heat again.
- i. Furnace should ignite normally.

### Checklist

1. Put away tools and instruments. Clean up debris.

2. Verify that switches SW1-1 and SW1-6 are OFF and other setup switches are set as desired. Verify that switches SW1-7 and SW1-8 for the blower OFF DELAY are set as desired per Table 12.
3. Verify that blower and burner access doors are properly installed.
4. Cycle test furnace with room thermostat.
5. Check operation of accessories per manufacturer's instructions.
6. Review User's Guide with owner.
7. Attach literature packet to furnace.

**Table 12 – Blower Off Delay Setup Switch**

| DESIRED HEATING MODE<br>BLOWER OFF DELAY (SEC.) | SETUP SWITCH<br>(SW-7 AND -8)<br>POSITION |       |
|---|---|-------|
|   | SW1-7                                     | SW1-8 |
| 90  | OFF                                       | OFF   |
| 120   | ON  | OFF   |
| 150   | OFF                                       | ON    |
| 180   | ON  | ON    |

## SERVICE AND MAINTENANCE PROCEDURES

Untrained personnel can perform basic maintenance functions such as cleaning and replacing air filters. All other operations must be performed by trained service personnel. A qualified service person should inspect the furnace once a year.

### **WARNING**

#### **FIRE, INJURY OR DEATH HAZARD**

Failure to follow this warning could result in personal injury, death and/or property damage.

The ability to properly perform maintenance on this equipment requires certain knowledge, mechanical skills, tools, and equipment. If you do not possess these, do not attempt to perform any maintenance on this equipment other than those procedures recommended in the User's Manual.

### **CAUTION**

#### **ENVIRONMENTAL HAZARD**

Failure to follow this caution may result in environmental pollution.

Remove and recycle all components or materials (i.e. oil, refrigerant, control board, etc.) before unit final disposal.

### **WARNING**

#### **ELECTRICAL SHOCK, FIRE OR EXPLOSION HAZARD**

Failure to follow this warning could result in personal injury or death, or property damage.

Before installing, modifying, or servicing system, main electrical disconnect switch must be in the OFF position and install a lockout tag. There may be more than one disconnect switch. Lock out and tag switch with a suitable warning label. Verify proper operation after servicing.



## CAUTION

### ELECTRICAL OPERATION HAZARD

Failure to follow this caution may result in improper furnace operation or failure of furnace.

Label all wires prior to disconnection when servicing controls. Wiring errors can cause improper and dangerous operation.

### General

These instructions are written as if the furnace is installed in an upflow application. An upflow furnace application is where the blower is located below the combustion and controls section of the furnace, and conditioned air is discharged upward. Since this furnace can be installed in any of the 4 positions shown in Fig. 4, you must revise your orientation to component location accordingly.

### Electrical Controls and Wiring



## WARNING

### ELECTRICAL SHOCK HAZARD

Failure to follow this warning could result in personal injury or death.

There may be more than one electrical supply to the furnace. Check accessories and cooling unit for additional electrical supplies that must be shut off during furnace servicing. Lock out and tag switch with a suitable warning label.

The electrical ground and polarity for 115-v wiring must be properly maintained. Refer to Fig. 23 for field wiring information and to Fig. 55 for furnace wiring information.

**NOTE:** If the polarity is not correct, the STATUS LED on the control will flash rapidly and prevent the furnace from heating. The control system also requires an earth ground for proper operation of the control and flame-sensing electrode.

The 24-v circuit contains an automotive-type, 3-amp. fuse located on the control. (See Fig. 26.) Any shorts of the 24-v wiring during installation, service, or maintenance will cause this fuse to blow. If fuse replacement is required, use ONLY a 3-amp. fuse. The control LED will display status code 24 when fuse needs to be replaced.

Proper instrumentation is required to service electrical controls. The control in this furnace is equipped with a Status Code LED (Light-Emitting Diode) to aid in installation, servicing, and troubleshooting. Status codes can be viewed at the sight glass in blower access door. The amber furnace control LED is either ON continuously, rapid flashing, or a code composed of 2 digits. The first digit is the number of short flashes, the second digit is the number of long flashes.

For an explanation of status codes, refer to service label located on blower access door or Fig. 54.

See Fig. 59, a brief Troubleshooting Guide.

For 2-Stage Variable Speed ECM Controls the stored status codes will NOT be erased from the control memory, when 115- or 24-v power is interrupted. The control will store up to the last 7 Status Codes in order of occurrence.

1. To retrieve status codes, proceed with the following:

**NOTE:** NO thermostat signal may be present at control, and all blower-OFF delays must be completed.

- a. Leave 115-v power to furnace turned on.

- b. Remove outer access door.
- c. Look into blower access door sight glass for current LED status.
- d. Remove blower access door.

**NOTE:** The Status Codes cannot be retrieved by disconnecting the limit switch or draft safeguard switch. To retrieve Status Codes, follow the procedure below.

2. Turn Setup Switch, SW1-1 "ON."
3. Manually close blower access door switch.
4. Control will flash up to 7 Status Codes.
5. The last Status Code, or 8th Code, will be Code 11.
6. Turn SW1-1 "OFF."
7. A continuously-lit Amber LED will appear and indicates proper operation.
8. Release blower access door switch, install blower access door and replace outer door or refer to the SERVICE label on the front of the blower access door for more information.

### Component Self-Test

Component Test can ONLY be initiated by performing the following:

1. Remove outer access door.
2. Remove blower access door.
3. Remove the wire from the "R" terminal of the control board.
4. Turn Setup Switch, SW-1-6 "ON."
5. Manually close blower access door switch.

Blower access door switch opens 115-v power to control. No component operation can occur unless switch is closed. Caution must be taken when manually closing this switch for service purposes.



## WARNING

### ELECTRICAL SHOCK HAZARD

Failure to follow this warning could result in personal injury, or death.

Blower access door switch opens 115-v power to furnace control. No component operation can occur unless switch is closed. Exercise caution to avoid electrical shock from exposed electrical components when manually closing this switch for service purposes.

6. Component Test sequence will function as follows:
  - a. Inducer motor starts on high-speed and continues to run until Step (d.) of component test sequence.
  - b. Hot surface igniter is energized for 15 sec, then deenergized.
  - c. Blower operates for 10 sec, then turns off.
  - d. Inducer motor goes to low-speed for 10 seconds, then turns off.
  - e. After component test is completed, one or more status codes 11 or 25 will flash. See component test section of service label for explanation of status codes.

**NOTE:** To repeat component test, turn setup switch SW1-6 OFF then back ON.

- f. Turn setup switch SW1-6 OFF.
7. RELEASE BLOWER ACCESS DOOR SWITCH, reattach wire to "R" terminal on furnace control board, replace blower access door, and replace outer access door.

## CARE AND MAINTENANCE

### WARNING

#### FIRE OR EXPLOSION HAZARD

Failure to follow this warning could result in personal injury, death and/or property damage.

Never store anything on, near, or in contact with the furnace, such as:

1. Spray or aerosol cans, rags, brooms, dust mops, vacuum cleaners, or other cleaning tools.
2. Soap powders, bleaches, waxes or other cleaning compounds, plastic or plastic containers, gasoline, kerosene, cigarette lighter fluid, dry cleaning fluids, or other volatile fluids.
3. Paint thinners and other painting compounds, paper bags, or other paper products. Exposure to these materials could lead to corrosion of the heat exchangers.

For continuing high performance and to minimize possible furnace failure, periodic maintenance must be performed on this furnace. Consult your local dealer about proper frequency of maintenance and the availability of a maintenance contract.

### WARNING

#### ELECTRICAL SHOCK AND FIRE HAZARD

Failure to follow this warning could result in personal injury, death, and/or property damage.

Turn off the gas and electrical supplies to the furnace and install lockout tag before performing any maintenance or service. Follow the operating instructions on the label attached to the furnace.

### WARNING

#### CARBON MONOXIDE POISONING AND FIRE HAZARD

Failure to follow this warning could result in personal injury, death and/or property damage.

Never operate furnace without a filter or with filter access door removed.

### CAUTION

#### CUT HAZARD

Failure to follow this caution may result in personal injury. Sheet metal parts may have sharp edges or burrs. Use care and wear appropriate protective clothing, safety glasses and gloves when handling parts, and servicing furnaces.

The minimum maintenance on this furnace is as follows:

1. Check and clean air filter each month or more frequently if required. Replace if torn.
2. Check blower motor and wheel for cleanliness each heating and cooling season. Clean as necessary.
3. Check electrical connections for tightness and controls for proper operation each heating season. Service as necessary.
4. Inspect burner compartment before each heating season for rust, corrosion, soot or excessive dust. If necessary,

have furnace and burner serviced by a qualified service agency.

5. Inspect the vent pipe/vent system before each heating season for rust, corrosion, water leakage, sagging pipes or broken fittings. Have vent pipes/vent system serviced by a qualified service agency.
6. Inspect any accessories attached to the furnace such as a humidifier or electronic air cleaner. Perform any service or maintenance to the accessories as recommended in the accessory instructions.

#### Cleaning and/or Replacing Air Filter

The air filter arrangement will vary depending on the application.

**NOTE:** If the filter has an airflow direction arrow, the arrow must point towards the blower.

### CAUTION

#### CUT HAZARD

Failure to follow this caution may result in personal injury.

Sheet metal parts may have sharp edges or burrs. Use care and wear appropriate protective clothing, safety glasses and gloves when handling parts, and servicing furnaces.

#### Media cabinet filter procedures:

1. Turn off electrical supply to furnace before removing filter access door.
2. Remove filter cabinet door.
3. Slide filter out of cabinet.
4. If equipped with permanent, washable 3/4-in. (19 mm) filter, clean filter by spraying cold tap water through filter in opposite direction of airflow. Rinse filter and let dry. Oiling or coating of the filter is not recommended. See Table 13 for size information.
5. If equipped with factory-specified disposable media filter, replace only with media filter having the same part number and size. For expandable replacement media, refer to the instructions included with the replacement media.
6. Slide filter into cabinet.
7. Replace filter cabinet door.
8. Turn on electrical supply to furnace.

#### Blower Motor and Wheel

### WARNING

#### ELECTRICAL SHOCK HAZARD

Failure to follow this warning could result in personal injury or death.

Blower access door switch opens 115-v power to control. No component operation can occur unless switch is closed. Caution must be taken when manually closing this switch for service purposes.

**NOTE:** The blower wheel should not be dropped or bent as balance will be affected.

**The following steps should be performed by a qualified service agency.**

To ensure long life and high efficiency, clean accumulated dirt and grease from blower wheel and motor annually.



**Table 13 – Filter Size Information - In. (mm)**

| FURNACE CASING WIDTH | FILTER SIZE                       |                                   | FILTER TYPE |
|----------------------|-----------------------------------|-----------------------------------|-------------|
|                      | SIDE RETURN                       | BOTTOM RETURN                     |             |
| 14–1/2 (368)         | 16 X 25 X 3/4<br>(406 X 635 X 19) | 14 X 25 X 3/4<br>(356 X 635 X 19) | Washable*   |
| 17–1/2 (445)         | 16 X 25 X 3/4<br>(406 X 635 X 19) | 16 X 25 X 3/4<br>(406 X 635 X 19) | Washable*   |
| 21 (533)             | 16 X 25 X 3/4<br>(406 X 635 X 19) | 20 X 25 X 3/4<br>(508 X 635 X 19) | Washable*   |
| 24 (610)             | 16 X 25 X 3/4<br>(406 X 635 X 19) | 24 X 25 X 3/4<br>(610 X 635 X 19) | Washable*   |

\* Recommended

The inducer and blower motors are pre-lubricated and require no additional lubrication. These motors can be identified by the absence of oil ports on each end of the motor.

Clean blower motor and wheel as follows:


1. Turn off electrical supply to furnace.
2. Remove outer door.
3. For downflow or horizontal furnaces having vent pipes within the furnace that pass in front of the blower access door:
  - a. Disconnect vent connector from furnace vent elbow.
  - b. Disconnect and remove short piece of vent pipe from within furnace.
4. Remove screws from blower access door and remove blower access door.
5. All factory wires can be left connected, but field thermostat connections may need to be disconnected depending on their length and routing.
6. Remove 2 screws holding blower assembly to blower deck and slide blower assembly out of furnace.
7. Clean blower wheel and motor using a vacuum with soft brush attachment. Blower wheel blades may be cleaned with a small paint or flux brush. Do not remove or disturb balance weights (clips) on blower wheel blades.
8. Vacuum any loose dust from blower housing, wheel and motor.
9. If a greasy residue is present on blower wheel, remove wheel from the blower housing and wash it with an appropriate degreaser. To remove wheel:

**NOTE:** Before disassembly, mark blower mounting arms, motor, and blower housing so motor and each arm is positioned at the same location during reassembly.

- a. Disconnect ground wire attached to blower housing.
  - b. Remove screws securing cutoff plate and remove cutoff plate from housing.
  - c. Loosen set screw holding blower wheel on motor shaft (160+/-20 in.-lb. when assembling).
  - d. Remove bolts holding motor to blower housing and slide motor out of wheel (40+/-10 in.-lb. when re-assembling).
  - e. Remove blower wheel from housing.
  - f. Clean wheel and housing.
10. Reassemble motor and blower by reversing steps 9a, through 9e. Be sure to reattach ground wire to the blower housing.
  11. Verify that blower wheel is centered in blower housing and set screw contacts the flat portion of the motor shaft. Loosen set screw on blower wheel and reposition if necessary.
  12. Spin the blower wheel by hand to verify that the wheel does not rub on the housing.
  13. Reinstall blower assembly in furnace.
  14. Reinstall 2 screws securing blower assembly to blower deck.

15. Reconnect blower leads to furnace control. Refer to furnace wiring diagram, and connect thermostat leads if previously disconnected.

16. To check blower for proper rotation:
- a. Turn on electrical supply.


WARNING

**ELECTRICAL SHOCK HAZARD**

Failure to follow this warning could result in personal injury, or death.

Blower access door switch opens 115-v power to furnace control. No component operation can occur unless switch is closed. Exercise caution to avoid electrical shock from exposed electrical components when manually closing this switch for service purposes.

- b. Manually close blower access door switch.

**NOTE:** If R-W/W1 thermostat terminals are jumpered at the time blower access door switch is closed, blower will run for 90 sec before beginning a heating cycle.

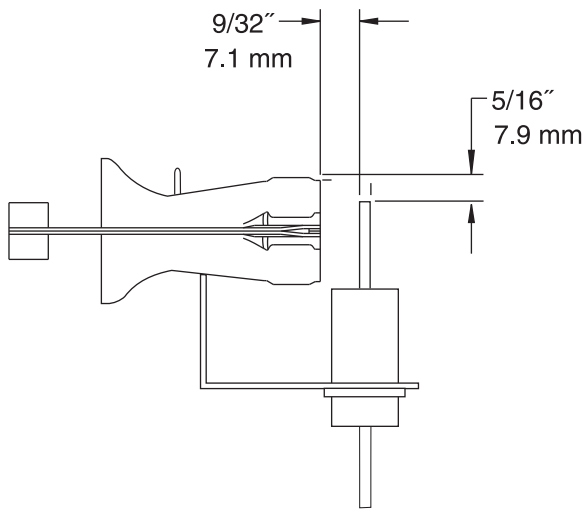
- c. Perform component self-test as shown at the bottom of the SERVICE label, located on the front of blower access door.
- d. Verify blower is rotating in the correct direction
17. If furnace is operating properly, RELEASE BLOWER ACCESS DOOR SWITCH. Remove any jumpers or reconnect any disconnected thermostat leads. Replace blower access door.
18. Downflow or horizontal furnaces with vent pipe through furnace only:
  - a. Install and connect short piece of vent pipe inside furnace to existing vent.
  - b. Connect vent connector to vent elbow.
19. Reinstall outer door.
20. Turn on gas supply and cycle furnace through one complete heating and cooling cycle. Verify the furnace temperature rise as shown in Adjustments Section. Adjust temperature rise as shown in Adjustments Section. If outdoor temperature is below 70°F, turn off circuit breaker to outdoor unit before running furnace in the cooling cycle. Turn outdoor circuit breaker on after completing cooling cycle.

**Cleaning Heat Exchanger**

The following steps should be performed by a qualified service agency:

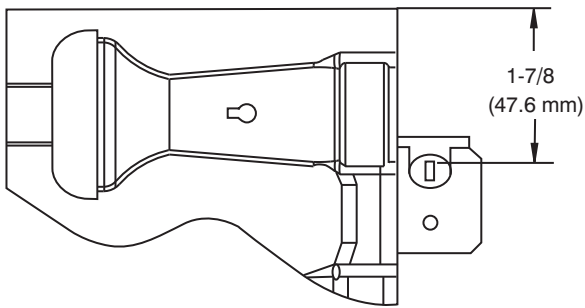
**NOTE:** If the heat exchangers get a heavy accumulation of soot and carbon, they should be replaced rather than trying to clean them thoroughly. A build-up of soot and carbon indicates that a problem exists which needs to be corrected, such as improper adjustment of manifold pressure, insufficient or poor quality combustion air, incorrect size or damaged manifold orifice(s), improper gas, or a restricted heat exchanger. Action must be taken to correct the problem.





**Fig. 56 - Igniter Position - Side View**

A05025



**Fig. 57 - Igniter Position - Top View**

A05026

If it becomes necessary to clean the heat exchangers because of dust or corrosion, proceed as follows:

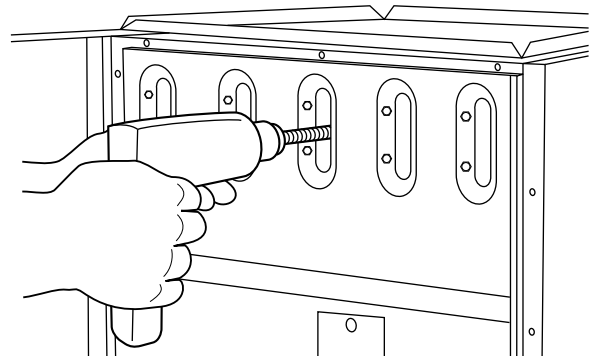
1. Turn OFF gas and electrical power to furnace.
2. Remove outer access door.
3. Disconnect vent connector from furnace vent elbow.
4. For downflow or horizontal furnace having an internal vent pipe, remove internal vent pipe within the casing.
5. Disconnect wires to the following components. Mark wires to aid in reconnection (be careful when disconnecting wires from switches because damage may occur):
  - a. Draft safeguard switch.
  - b. Inducer motor.
  - c. Pressure switches.
  - d. Limit overtemperature switch.
  - e. Gas valve.
  - f. Hot surface igniter.
  - g. Flame-sensing electrode.
  - h. Flame rollout switches.
6. Remove screws that fasten the collector box assembly to the cell panel. Be careful not to damage the collector box. Inducer assembly and elbow need not be removed from collector box.
7. Disconnect gas line from gas manifold.
8. Remove the four screws that attach the burner assembly to the cell panel. The gas valve and individual burners need not be removed from support assembly. Remove NOx baffles, if installed.

**NOTE:** Be very careful when removing burner assembly to avoid breaking igniter. See Fig. 56-57 for correct igniter location.

9. Using field-provided 25-caliber rifle cleaning brush, 36-in. (914 mm) long, 1/4-in. (6 mm) diameter steel spring cable, a variable speed, follows:
  - a. Remove metal screw fitting from wire brush to allow insertion into cable.
  - b. Insert the twisted wire end of brush into end of spring cable, and crimp tight with crimping tool or crimp by striking with ball-peen hammer. **TIGHTNESS IS VERY IMPORTANT.**

**NOTE:** The materials needed in item 9 can usually be purchased at local hardware stores.

- (1.) Attach variable-speed, reversible drill to the end of spring cable (end opposite brush).
- (2.) Insert brush end of cable into the outlet opening of cell and slowly rotate with drill. **DO NOT** force cable. Gradually insert cable into upper pass of cell. (See Fig. 58.)
- (3.) Work cable in and out of cell 3 or 4 times to obtain sufficient cleaning. **DO NOT** pull cable with great force. Reverse drill and gradually work cable out.
- (4.) Insert brush end of cable in burner inlet opening of cell, and proceed to clean 2 lower passes of cell in same manner as upper pass.
- (5.) Repeat foregoing procedures until each cell in furnace has been cleaned.
- (6.) Using vacuum cleaner, remove residue from each cell.
- (7.) Using vacuum cleaner with soft brush attachment, clean burner assembly.
- (8.) Clean flame sensor with fine steel wool.



**Fig. 58 - Cleaning Heat Exchanger Cell**

A91252

- (9.) Reinstall burner assembly. Center burners in cell openings.

10. Remove old sealant from cell panel and collector box flange.
11. Spray releasing agent on the heat exchanger cell panel where collector box assembly contacts cell panel.

**NOTE:** A releasing agent such as cooking spray or equivalent (must not contain corn or canola oil, aromatic or halogenated hydrocarbons or inadequate seal may occur) and RTV sealant (G.E. 162, 6702, or Dow-Corning 738) are needed before starting installation. **DO NOT** substitute any other type of RTV sealant. G.E. 162 (P771-9003) is available through RCD in 3-oz tubes.

12. Apply new sealant to flange of collector box and attach to cell panel using existing screws, making sure all screws are secure.

13. Reconnect wires to the following components (Use connection diagram on wiring label, if wires were not marked for reconnection locations.):
  - a. Draft safeguard switch.
  - b. Inducer motor.
  - c. Pressure switches.
  - d. Limit overtemperature switch.
  - e. Gas valve.
  - f. Hot surface igniter.
  - g. Flame-sensing electrode.
  - h. Flame rollout switches.
14. Reinstall internal vent pipe, if applicable.
15. Reinstall vent connector on furnace vent elbow. Securely fasten vent connector to vent elbow with 2 field-supplied, corrosion-resistant, sheet metal screws located 180° apart.
16. Replace blower access door only if it was removed.
17. Set thermostat above room temperature and check furnace for proper operation.
18. Verify blower airflow and speed changes between heating and cooling.

⚠ **WARNING**

**FIRE OR EXPLOSION HAZARD**

Failure to follow this warning could result in personal injury, death, and/or property damage.

Never purge a gas line into a combustion chamber. Never test for gas leaks with an open flame. Use a commercially available soap solution made specifically for the detection of leaks to check all connections. A fire or explosion may result causing property damage, personal injury or loss of life.

19. Check for gas leaks.

#### **Sequence of Operation**

**NOTE:** Furnace control must be grounded for proper operation or else control will lock out. Control is grounded through green/yellow wire routed to gas valve and burner box screw. Using the schematic diagram in Fig. 55, follow the sequence of operation through the different modes. Read and follow the wiring diagram very carefully.

**NOTE:** If a power interruption occurs during a call for heat (W/W1 or W/W1-and-W2), the control will start a 90-second blower-only ON period two seconds after power is restored, if the thermostat is still calling for gas heating. The amber LED light will flash code 12 during the 90-second period, after which the LED will be ON continuous, as long as no faults are detected. After the 90-second period, the furnace will respond to the thermostat normally.

The blower door must be installed for power to be conducted through the blower door interlock switch ILK to the furnace control CPU, transformer TRAN, inducer motor IDM, blower motor BLWM, hot-surface igniter HSI, and gas valve GV.

1. Two-Stage Heating (Adaptive Mode) with Single-Stage Thermostat  
See Fig. 27 - 34 for thermostat connections

**NOTE:** The low-heat only switch SW1-2 selects either the low-heat only operation mode when ON, (see item 2. below) or the adaptive heating mode when OFF in response to a call for heat. (See Table 52.) When the W2 thermostat terminal is energized it will always cause high-heat operation when the R-to-W circuit is closed, regardless of the setting of the low-heat only switch. This furnace can operate as a two-stage furnace with

a single-stage thermostat because the furnace control CPU includes a programmed adaptive sequence of controlled operation, which selects low-heat or high-heat operation. This selection is based upon the stored history of the length of previous gas-heating periods of the single-stage thermostat.

The furnace will start up in either low- or high-heat. If the furnace starts up in low-heat, the control CPU determines the low-heat on-time (from 0 to 16 minutes) which is permitted before switching to high-heat.

If the power is interrupted, the stored history is erased and the control CPU will select low-heat for up to 16 minutes and then switch to high-heat, as long as the thermostat continues to call for heat. Subsequent selection is based on stored history of the thermostat cycle times.

The wall thermostat “calls for heat”, closing the R-to-W circuit. The furnace control performs a self-check, verifies the low-heat and high-heat pressure switch contacts LPS and HPS are open, and starts the inducer motor IDM in high-speed.

#### **a. Inducer Prepurge Period**

(1.) If the furnace control CPU selects low-heat operation the inducer motor IDM comes up to speed, the low-heat pressure switch LPS closes, and the furnace control CPU begins a 15-second prepurge period. If the low-heat pressure switch LPS fails to remain closed the inducer motor IDM will remain running at high-speed. After the low-heat pressure switch re-closes the furnace control CPU will begin a 15-second prepurge period, and continue to run the inducer motor IDM at high-speed.

(2.) If the furnace control CPU selects high-heat operation, the inducer motor IDM remains running at high-speed, and the high-heat pressure switch relay HPSR is de-energized to close the NC contact. When sufficient pressure is available the high-heat pressure switch HPS closes, and the high-heat gas valve solenoid GV-HI is energized. The furnace control CPU begins a 15-second prepurge period after the low-heat pressure switch LPS closes. If the high-heat pressure switch HPS fails to close and the low-heat pressure switch LPS closes, the furnace will operate at low-heat gas flow rate until the high-heat pressure switch closes for a maximum of 2 minutes after ignition.

b. **Igniter Warm-Up** -At the end of the prepurge period, the Hot-Surface Igniter HSI is energized for a 17-second igniter warm-up period.

c. **Trial-For-Ignition Sequence** -When the igniter warm-up period is completed the main gas valve relay contact GVR closes to energize the gas valve solenoid GV-M. The gas valve solenoid GV-M permits gas flow to the burners where it is ignited by the HSI. Five seconds after the GVR closes, a 2-second flame proving period begins. The HSI igniter will remain energized until the flame is sensed or until the 2-second flame proving period begins. If the furnace control CPU selects high-heat operation, the high-heat gas valve solenoid GV-HI is also energized.

d. **Flame-Proving** - When the burner flame is proved at the flame-proving sensor electrode FSE, the inducer motor IDM switches to low-speed unless the furnace is operating in high-heat, and the furnace control CPU begins the blower-ON delay period and continues to hold the gas valve GV-M open. If the burner flame is not proved within two seconds, the control CPU will close the gas valve GV-M, and the control CPU will

repeat the ignition sequence for up to three more Trials-For-Ignition before going to Ignition-Lockout. Lockout will be reset automatically after three hours, or by momentarily interrupting 115 vac power to the furnace, or by interrupting 24 vac power at SEC1 or SEC2 to the furnace control CPU (not at W/W1, G, R, etc.). If flame is proved when flame should not be present, the furnace control CPU will lock out of Gas-Heating mode and operate the inducer motor IDM on high speed until flame is no longer proved.

- e. **Blower-On delay** - If the burner flame is proven the blower-ON delays for low-heat and high-heat are as follows:

**Low-heat** - 45 seconds after the gas valve GV-M is opened the blower motor BLWM is turned ON at low-heat airflow.

**High-heat** - 25 seconds after the gas valve GV-M is opened the BLWM is turned ON at high-heat airflow. Simultaneously, the humidifier terminal HUM and electronic air cleaner terminal EAC-1 are energized and remain energized throughout the heating cycle.

- f. **Switching from Low- to High-Heat** - If the furnace control CPU switches from low-heat to high-heat, the furnace control CPU will switch the inducer motor IDM speed from low to high. The high-heat pressure switch relay HPSR is de-energized to close the NC contact. When sufficient pressure is available the high-heat pressure switch HPS closes, and the high-heat gas valve solenoid GV-HI is energized. The blower motor BLWM will transition to high-heat airflow five seconds after the furnace control CPU switches from low-heat to high-heat.
- g. **Switching from High- to Low-Heat** -The furnace control CPU will not switch from high-heat to low-heat while the thermostat R-to-W circuit is closed when using a single-stage thermostat.
- h. **Blower-Off Delay** -When the thermostat is satisfied, the R to W circuit is opened, de-energizing the gas valve GV-M, stopping gas flow to the burners, and de-energizing the humidifier terminal HUM. The inducer motor IDM will remain energized for a 5-second post-purge period. The blower motor BLWM and air cleaner terminal EAC-1 will remain energized at low-heat airflow or transition to low-heat airflow for 90, 120, 150, or 180 seconds (depending on selection at blower-OFF delay switches). The furnace control CPU is factory-set for a 120-second blower-OFF delay.

## 2. Two-Stage Thermostat and Two-Stage Heating

See Fig. 27-34 for thermostat connections.

**NOTE:** In this mode the low-heat only switch SW1-2 must be ON to select the low-heat only operation mode in response to closing the thermostat R-to-W1 circuit. Closing the thermostat R-to- W1-and-W2 circuits always causes high-heat operation, regardless of the setting of the low-heat only switch.

The wall thermostat “calls for heat”, closing the R-to-W1 circuit for low-heat or closing the R-to-W1-and-W2 circuits for high-heat. The furnace control performs a self-check, verifies the low-heat and high-heat pressure switch contacts LPS and HPS are open, and starts the inducer motor IDM in high-speed.

The start up and shut down functions and delays described in item 1. above apply to the 2-stage heating mode as well, except for switching from low- to high-Heat and vice versa.

- a. **Switching from Low- to High-Heat** - If the thermostat R-to-W1 circuit is closed and the R-to-W2 circuit closes, the furnace control CPU will switch the inducer motor IDM speed from low to high. The

high-heat pressure switch relay HPSR is de-energized to close the NC contact. When sufficient pressure is available the high-heat pressure switch HPS closes, and the high-heat gas valve solenoid GV-HI is energized. The blower motor BLWM will transition to high-heat airflow five seconds after the R-to-W2 circuit closes.

- b. **Switching from High- to Low-Heat** -If the thermostat R-to- W2 circuit opens, and the R-to-W1 circuit remains closed, the furnace control CPU will switch the inducer motor IDM speed from high to low. The high-heat pressure switch relay HPSR is energized to open the NC contact and de-energize the high-heat gas valve solenoid GV-HI. When the inducer motor IDM reduces pressure sufficiently, the high-heat pressure switch HPS will open. The gas valve solenoid GV-M will remain energized as long as the low-heat pressure switch LPS remains closed. The blower motor BLWM will transition to low-heat airflow five seconds after the R-to-W2 circuit opens.

## 3. Cooling mode

The thermostat “calls for cooling”.

### a. Single-Speed Cooling-

See Fig. 27 for thermostat connections

The thermostat closes the R-to-G-and-Y circuits. The R-to- Y circuit starts the outdoor unit, and the R-to-G-and-Y/Y2 circuits start the furnace blower motor BLWM on cooling airflow. Cooling airflow is based on the A/C selection shown in Fig. 53. The electronic air cleaner terminal EAC-1 is energized with 115 vac when the blower motor BLWM is operating.

When the thermostat is satisfied, the R-to-G-and-Y circuits are opened. The outdoor unit will stop, and the furnace blower motor BLWM will continue operating at cooling airflow for an additional 90 seconds. Jumper Y/Y2 to DHUM to reduce the cooling off-delay to 5 seconds. (See Fig. 26.)

### b. Single-Stage Thermostat and Two-Speed Cooling (Adaptive Mode) -

See Fig. 34 for thermostat connections.

This furnace can operate a two-speed cooling unit with a single-stage thermostat because the furnace control CPU includes a programmed adaptive sequence of controlled operation, which selects low-cooling or high-cooling operation. This selection is based upon the stored history of the length of previous cooling period of the single-stage thermostat.

**NOTE:** The air conditioning relay disable jumper ACRDJ must be connected to enable the adaptive cooling mode in response to a call for cooling. (See Fig. 26.) When ACRDJ is in place the furnace control CPU can turn on the air conditioning relay ACR to energize the Y/Y2 terminal and switch the outdoor unit to high-cooling.

The furnace control CPU can start up the cooling unit in either low- or high-cooling. If starting up in low-cooling, the furnace control CPU determines the low-cooling on-time (from 0 to 20 minutes) which is permitted before switching to high-cooling. If the power is interrupted, the stored history is erased and the furnace control CPU will select low-cooling for up to 20 minutes and then energize the air conditioning relay ACR to energize the Y/Y2 terminal and switch the outdoor unit to high-cooling, as long as the thermostat continues to call for cooling. Subsequent selection is based on stored history of the thermostat cycle times. The wall thermostat “calls for cooling”, closing the R-to-G-and-Y circuits. The R-to-Y1 circuit starts the outdoor unit on low-cooling speed, and the R-to-G-and-Y1 circuits starts the furnace blower motor BLWM at low-cooling airflow

which is the true on-board CF selection as shown in Fig. 53.

If the furnace control CPU switches from low-cooling to high-cooling, the furnace control CPU will energize the air conditioning relay ACR. When the air conditioning relay ACR is energized the R-to-Y1-and-Y2 circuits switch the outdoor unit to high-cooling speed, and the R-to-G-and-Y1-and-Y/Y2 circuits transition the furnace blower motor BLWM to high-cooling airflow. High-cooling airflow is based on the A/C selection shown in Fig. 53.

**NOTE:** When transitioning from low-cooling to high-cooling the outdoor unit compressor will shut down for 1 minute while the furnace blower motor BLWM transitions to run at high-cooling airflow.

The electronic air cleaner terminal EAC-1 is energized with 115 vac whenever the blower motor BLWM is operating.

When the thermostat is satisfied, the R-to-G-and-Y circuit are opened. The outdoor unit stops, and the furnace blower BLWM and electronic air cleaner terminal EAC-1 will remain energized for an additional 90 seconds. Jumper Y1 to DHUM to reduce the cooling off-delay to 5 seconds. (See Fig. 26.)

- c. Two-Stage Thermostat and Two-Speed Cooling  
See Fig. 33 for thermostat connections

**NOTE:** The air conditioning relay disable jumper ACRDJ must be disconnected to allow thermostat control of the outdoor unit staging. (See Fig. 26.)

The thermostat closes the R-to-G-and-Y1 circuits for low-cooling or closes the R-to-G-and-Y1-and-Y2 circuits for high-cooling. The R-to-Y1 circuit starts the outdoor unit on low-cooling speed, and the R-to-G-and-Y1 circuit starts the furnace blower motor BLWM at low-cooling airflow which is the true on-board CF selection as shown in Table 4 and Fig. 53. The R-to-Y1-and-Y2 circuits start the outdoor unit on high-cooling speed, and the R-to-G-and-Y/Y2 circuits start the furnace blower motor BLWM at high-cooling airflow. High-cooling airflow is based on the A/C (air conditioning) selection shown in Fig. 53.

The electronic air cleaner terminal EAC-1 is energized with 115 vac whenever the blower motor BLWM is operating.

When the thermostat is satisfied, the R-to-G-and-Y1 or R-to-G-and-Y1-and-Y2 circuits are opened. The outdoor unit stops, and the furnace blower BLWM and electronic air cleaner terminal EAC-1 will remain energized for an additional 90 seconds. Jumper Y1 to DHUM to reduce the cooling off-delay to 5 seconds. (See Fig. 26.)

#### 4. Thermidistat Mode

See Fig. 27-29 for thermostat connections.

The dehumidification output, DHUM on the Thermidistat should be connected to the furnace control thermostat terminal DHUM. When there is a dehumidify demand, the DHUM input is activated, which means 24 vac signal is removed from the DHUM input terminal. In other words, the DHUM input logic is reversed. The DHUM input is turned ON when no dehumidify demand exists. Once 24 vac is detected by the furnace control on the DHUM input, the furnace control operates in Thermidistat mode. If the DHUM input is low for more than 48 hours, the furnace control reverts back to non-Thermidistat mode.

The cooling operation described in item 3. above also applies to operation with a Thermidistat. The exceptions are listed below:

- a. **Low cooling**-When the R-to-G-and-Y1 circuit is closed and there is a demand for dehumidification, the furnace blower motor BLWM will drop the blower airflow to 90 percent of low-cooling airflow which is the true on-board CF selection as shown in Table 4 and Fig. 53.

- b. **High cooling**-When the R-to-G-and Y/Y2 circuit is closed and there is a demand for dehumidification, the furnace blower motor BLWM will drop the blower airflow to 90 percent of high-cooling airflow. High-cooling airflow is based on the A/C (air conditioning) selection shown in Fig. 53.

- c. **Cooling off-delay**-When the “call for cooling” is satisfied and there is a demand for dehumidification, the cooling blower-off delay is decreased from 90 seconds to 5 seconds.

#### 5. Continuous Blower Mode

When the R-to-G circuit is closed by the thermostat, the blower motor BLWM will operate at continuous blower airflow. Continuous blower airflow selection is initially based on the CF selection shown in Table 4 and and Fig. 53. Factory default is shown in Table 4. Terminal EAC-1 is energized as long as the blower motor BLWM is energized.

During a call for heat, the furnace control CPU will transition the blower motor BLWM to continuous blower airflow or low-heat airflow whichever is lowest. The blower motor BLWM will remain ON until the main burners ignite then shut OFF and remain OFF for the blower-ON delay (45 seconds in low-heat, and 25 seconds in high-heat), allowing the furnace heat exchangers to heat up more quickly, then restarts at the end of the blower-ON delay period at low-heat or high-heat airflow, respectively.

The blower motor BLWM will revert to continuous-blower airflow after the heating cycle is completed. In high-heat, the furnace control CPU will drop the blower motor BLWM to low-heat airflow during the selected blower-OFF delay period before transitioning to continuous-blower airflow.

When the thermostat “calls for low-cooling”, the blower motor BLWM will switch to operate at low-cooling airflow. When the thermostat is satisfied, the blower motor BLWM will operate an additional 90 seconds at low-cooling airflow before transitioning back to continuous-blower airflow.

When the thermostat “calls for high-cooling”, the blower motor BLWM will operate at high cooling airflow. When the thermostat is satisfied, the blower motor BLWM will operate an additional 90 seconds at high-cooling airflow before transitioning back to continuous-blower airflow. When the R-to-G circuit is opened, the blower motor BLWM will continue operating for an additional 5 seconds, if no other function requires blower motor BLWM operation.

#### Continuous Blower Speed Selection from Thermostat

To select different continuous-blower airflow from the room thermostat, momentarily turn off the FAN switch or push button on the room thermostat for 1-3 seconds after the blower motor BLWM is operating. The furnace control CPU will shift the continuous-blower airflow from the factory setting to the next highest CF selection airflow as shown in Table 4 and Fig. 53. Momentarily turning off the FAN switch again at the thermostat will shift the continuous-blower airflow up one more increment. If you repeat this procedure enough you will eventually shift the continuous-blower airflow to the lowest CF selection as shown in Table 4 and Fig. 53. The selection can be changed as many times as desired and is stored in the memory to be automatically used following a power interruption.

**NOTE:** If the blower-off delay is set to the maximum, the adjustable continuous-fan feature is locked (i.e., fan speed cannot be changed from its current setting).

## 6. Heat pump

See Fig. 29 - 32 for thermostat connections.

When installed with a heat pump, the furnace control automatically changes the timing sequence to avoid long blower off times during demand defrost cycles. Whenever W/W1 is energized along with Y1 or Y/Y2, the furnace control CPU will transition to or bring on the blower motor BLWM at cooling airflow or low-heat airflow, whichever is lowest. The blower motor BLWM will remain on until the main burners ignite then shut OFF and remain OFF for 25 seconds before coming back on at heating airflow. When the W/W1 input signal disappears, the furnace control begins a normal inducer post-purge period while changing the blower airflow. If Y/Y2 input is still energized the furnace control CPU will transition the blower motor BLWM airflow to cooling airflow. If Y/Y2 input signal disappears and the Y1 input is still energized the furnace control CPU will transition the blower motor BLWM to low-cooling airflow. If both the Y1 and Y/Y2 signals disappear at the same time, the blower motor BLWM will remain on at low-heat airflow for the selected blower-OFF delay period. At the end of the blower-OFF delay, the blower motor BLWM will shut OFF unless G is still energized, in which case the blower motor BLWM will operate at continuous blower airflow.

## 7. Component test

The furnace features a component test system to help diagnose a system problem in the case of a component failure. To initiate the component test procedure, ensure that there are no thermostat inputs to the control and all time delays have expired. Turn on setup switch SW1-6. (See Fig. 26.)

**NOTE:** The component test feature will not operate if the control is receiving any thermostat signals or until all time delays have

expired.

The component test sequence is as follows:

- a. The furnace control CPU turns the inducer motor ON at high-heat speed and keeps it ON through step c.
- b. After waiting 10 seconds the furnace control CPU turns the hot surface igniter ON for 15 seconds, then OFF.
- c. The furnace control CPU then turns the blower motor BLWM on at 50 percent torque for 15 seconds, then OFF.
- d. After shutting the blower motor OFF the furnace control CPU switches the inducer to low-heat speed for 10 seconds, then OFF.

**NOTE:** The EAC terminals are energized when the blower is operating.

After the component test is completed, 1 or more status codes 11 or 25 will flash. See component test section or Service Label (Fig. 54) for explanation of status codes.

**NOTE:** To repeat component test, turn setup switch SW1-6 to OFF and then back ON.

### Wiring Diagram

Refer to wiring diagram Fig. 55.

### Troubleshooting

Refer to the service label. (See Fig. 54—Service Label.)

The Troubleshooting Guide (See Fig. 59.) can be a useful tool in isolating furnace operation problems. Beginning with the word “Start,” answer each question and follow the appropriate arrow to the next item.

The Guide will help to identify the problem or failed component. After replacing any component, verify correct operation sequence.

# Troubleshooting Guide – Variable Speed

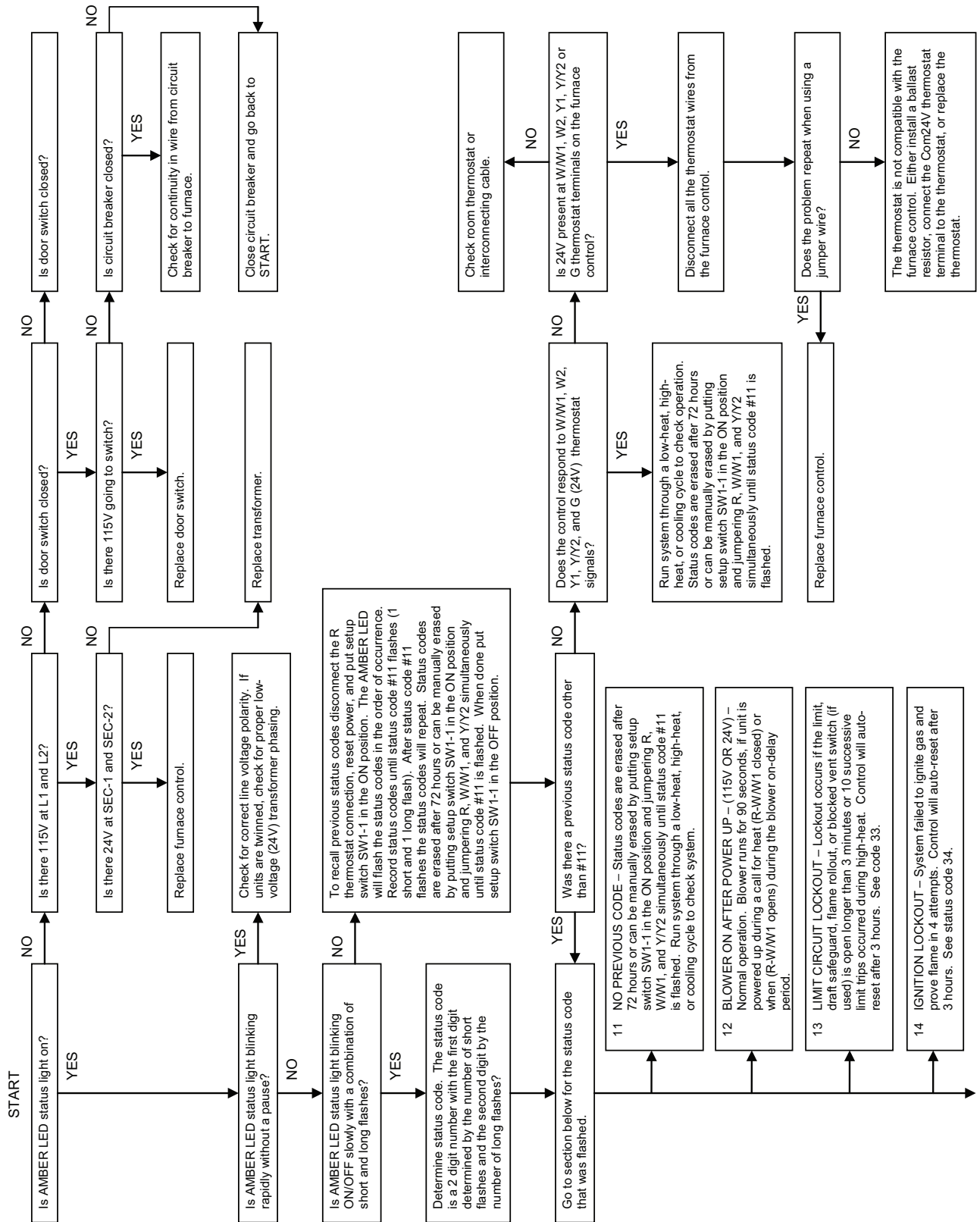
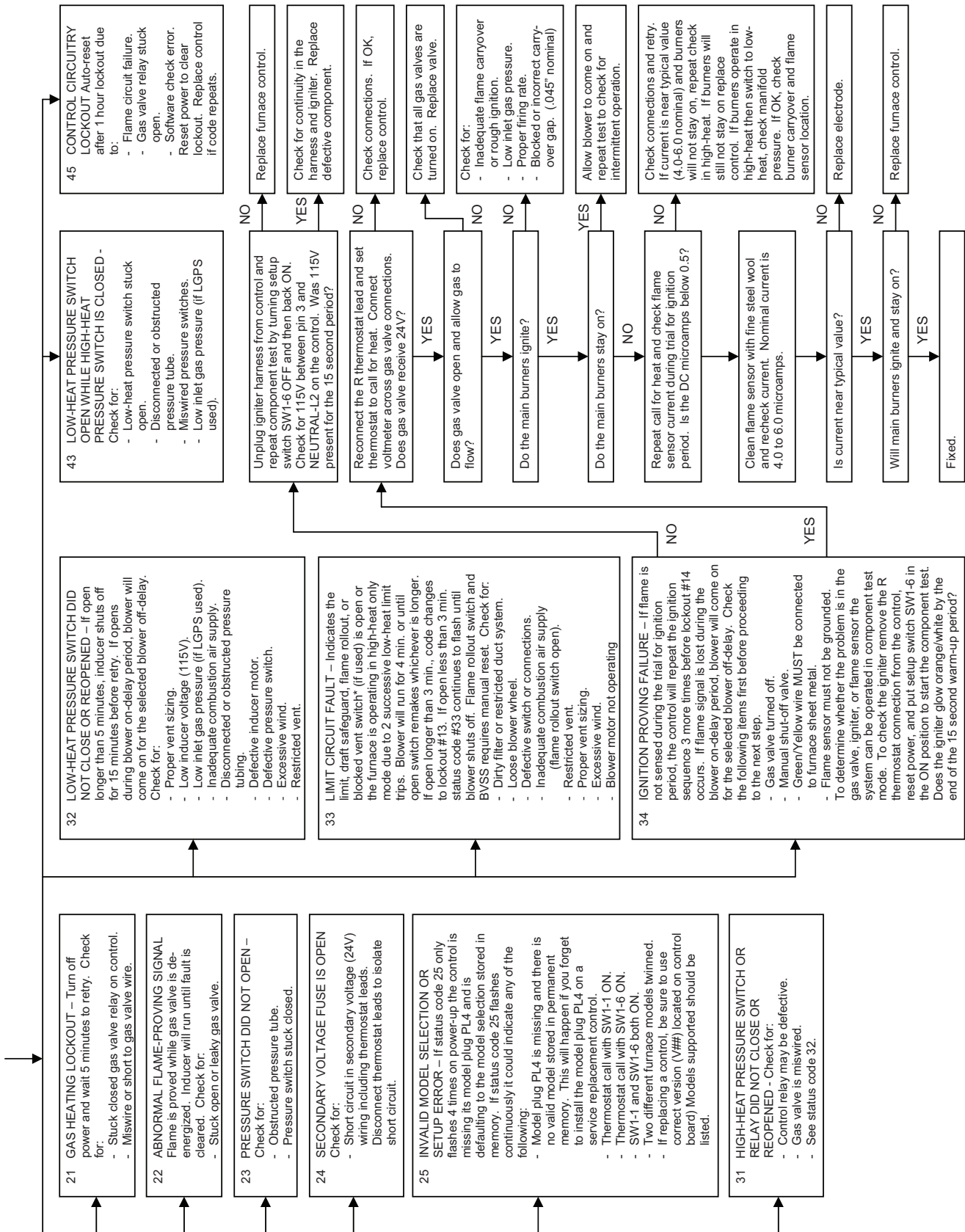


Fig. 59 - Troubleshooting Guide

A14311A



\* Blocked vent switch used in Chimney Adapter Kit

Fig. 59 - Troubleshooting Guide (Continued)



## PARTS REPLACEMENT INFORMATION GUIDE

### CASING GROUP

Outer door  
Blower door  
Top filler plate  
Bottom filler plate  
Bottom enclosure

### ELECTRICAL GROUP

Control bracket  
Junction box  
Limit switch(es)  
Circuit board  
Door switch  
Transformer  
Wiring harness 115v  
Wiring harness 24v

### BLOWER GROUP

Blower housing  
Blower cutoff  
Blower motor  
Blower wheel  
Grommet  
Power choke (where used)

### GAS CONTROL GROUP

Manifold  
Burner assembly  
Orifice  
Flame sensor  
Hot surface igniter  
Gas valve  
Manual reset limit switches  
Burner support assembly

### HEAT EXCHANGER GROUP

Heat exchanger cell  
Cell panel  
Lox NOx baffle (California models only)

### INDUCER GROUP

Housing assembly  
Pressure switch  
Inducer motor  
Inducer wheel  
Vent elbow assembly  
Draft safeguard switch

**TO OBTAIN INFORMATION ON PARTS:** Consult your installing dealer or classified section of your local telephone directory under "Heating Equipment" or "Air Conditioning Contractors and Systems" headings for dealer listing by brand name or contact:

#### BRYANT HEATING & COOLING SYSTEMS

Consumer Relations Department  
P.O. Box 4952  
Syracuse, New York 13221-4952  
1-800-428-4326

Have available the model number, series number, and serial number located on the unit rating plate to ensure correct replacement part.

#### Example of a Model Number

| MODEL | MAJOR SERIES | CLG CAPACITY | HTG INPUT | MOTOR TYPE | WIDTH | VOLTAGE |
|-------|--------------|--------------|-----------|------------|-------|---------|
| 820T  | A            | 48           | 070       | V          | 17    | -       |

**WARNING:** Improper installation, adjustment, alteration, service, or maintenance can cause personal injury, property damage, or death. Consult a qualified installer, service agency, or your local gas supplier for information or assistance. The qualified installer or service agency must use only factory-authorized replacement parts, kits, or accessories when modifying this product.

