

## Refrigeration Components

### Rev A HZ

#	Part Group	SM024-1HZ*-*A	SM036-1HZ*-*A	SM048-1HZ*-*A	SM060-1HZ*-*A	SM070-1HZ*-*A
S01	Compressor	T111105489	T111105413	T111105414	T111105415	T111105490
S03	Air to Ref HTX	8733929998	8733929642	8733929642	8733929999	8733929999
S04	Water to Ref HTX (Cu)	8733929626	8733929625	8733929623	8733929627	8733929622
S04	Water to Ref HTX (CuNi)	8733929628	8733929629	8733929624	8733929630	8733929631
S05	Reversing Valve	8733930009	8733907671	8733907670	8733907670	8733907670
S06	TXV	8733930004	8733930005	8733930006	8733930008	8733930010
S07	Filter Dryer	8733802650	8733802650	8733802650	8733802650	8733802650
S08	Blower Housing	8733802657	8733802745	8733802745	8733802746	8733802746
S09	Blower Motor	8733802693	8733802784	8733802785	8733802786	8733802787
S10	Blower Motor Mounts	8733908418	8733908418	8733908418	8733908418	8733908418
S10	Blower Motor Mounts	8733916152	8733916153	8733916153	8733916153	8733916153
S11	High Pressure Switch	8733802652	8733802652	8733802652	8733802652	8733802652
S12	Low Pressure Switch	8733802651	8733802651	8733802651	8733802651	8733802651
S14	Distributor Clamp	8733933702	8733933702	8733933702	8733933742	8733933707
S14	Distributor Nozzle	8733933704	8733933705	8733933706	8733933748	8733933742
S16	Shredder Valves	8733907804	8733907804	8733907804	8733907804	8733907804
S17	HRP Switch	8733908203	8733908203	8733908203	8733908203	8733908203
S18	HRP Water to Ref HTX	8733929618	8733929618	8733929618	8733929619	8733929619
S19	HRP Pump	8733907663	8733907663	8733907663	8733907663	8733907663
S20	Temperature Switches	8733908087	8733908087	8733908087	8733908087	8733908087
S20	Temperature Switches	8733908136	8733908136	8733908136	8733908136	8733908136
S21	Diff Pres Switch	8733908153	8733908153	8733908153	8733908153	8733908153
S23	Air Filters	8733911386	8733920334	8733920334	8733911390	8733911390

### Rev B VT/CF

#	Part Group	SM024-1VT/CF*-*B	SM036-1VT/CF*-*B	SM048-1VT/CF*-*B	SM060-1VT/CF*-*B	SM070-1VT/CF*-*B
S01	Compressor	T111105489	T111105413	T111105414	T111105415	T111105490
S02	Compressor Blanket	8733906355	8733906355	8733906355	8733906355	8733906355
S03	Air to Ref HTX	8733942480	8733942481	8733942481	8733942482	8733942482
S04	Water to Ref HTX (Cu)	8733942466	8733942467	8733942468	8733942469	8733942469
S04	Water to Ref HTX (CuNi)	8733942470	8733942471	8733942472	8733942473	8733942473
S05	Reversing Valve	8733930009	8733907670	8733907670	8733907670	8733907670
S06	TXV	8733942474	8733942475	8733942476	8733942477	8733942478
S07	Filter Dryer	7738005186	8733927516	8733927516	8733927516	8733927516
S08	Blower Housing	8733942483	8733942484	8733942484	8733942484	8733942484
S09	Blower Motor	8733942490	8733942491	8733942492	8733942493	8733942494
S10	Blower Motor Mounts	8733802661	8733908418	8733908418	8733908418	8733908418
S10	Blower Motor Mounts	8733908418	8733916153	8733916153	8733916153	8733916153
S11	High Pressure Switch	8733802652	8733802652	8733802652	8733802652	8733802652
S12	Low Pressure Switch	8733802651	8733802651	8733802651	8733802651	8733802651
S15	Condensate Sensor	8733933701	8733933701	8733933701	8733933701	8733933701
S16	Shraeder Valves	8733907804	8733907804	8733907804	8733907804	8733907804
S17	HRP Switch	8733908203	8733908203	8733908203	8733908203	8733908203
S18	HRP Water to Ref HTX	8733907523	8733907524	8733907524	8733907524	8733907524
S19	HRP Pump	8733942479	8733942479	8733942479	8733942479	8733942479
S20	Temperature Switches	8733908087	8733908087	8733908087	8733908087	8733908087
S20	Temperature Switches	8733908136	8733908136	8733908136	8733908136	8733908136
S23	Air Filters	8733927483	8733920364	8733920364	8733927485	8733927485

EXPLODED VIEWS

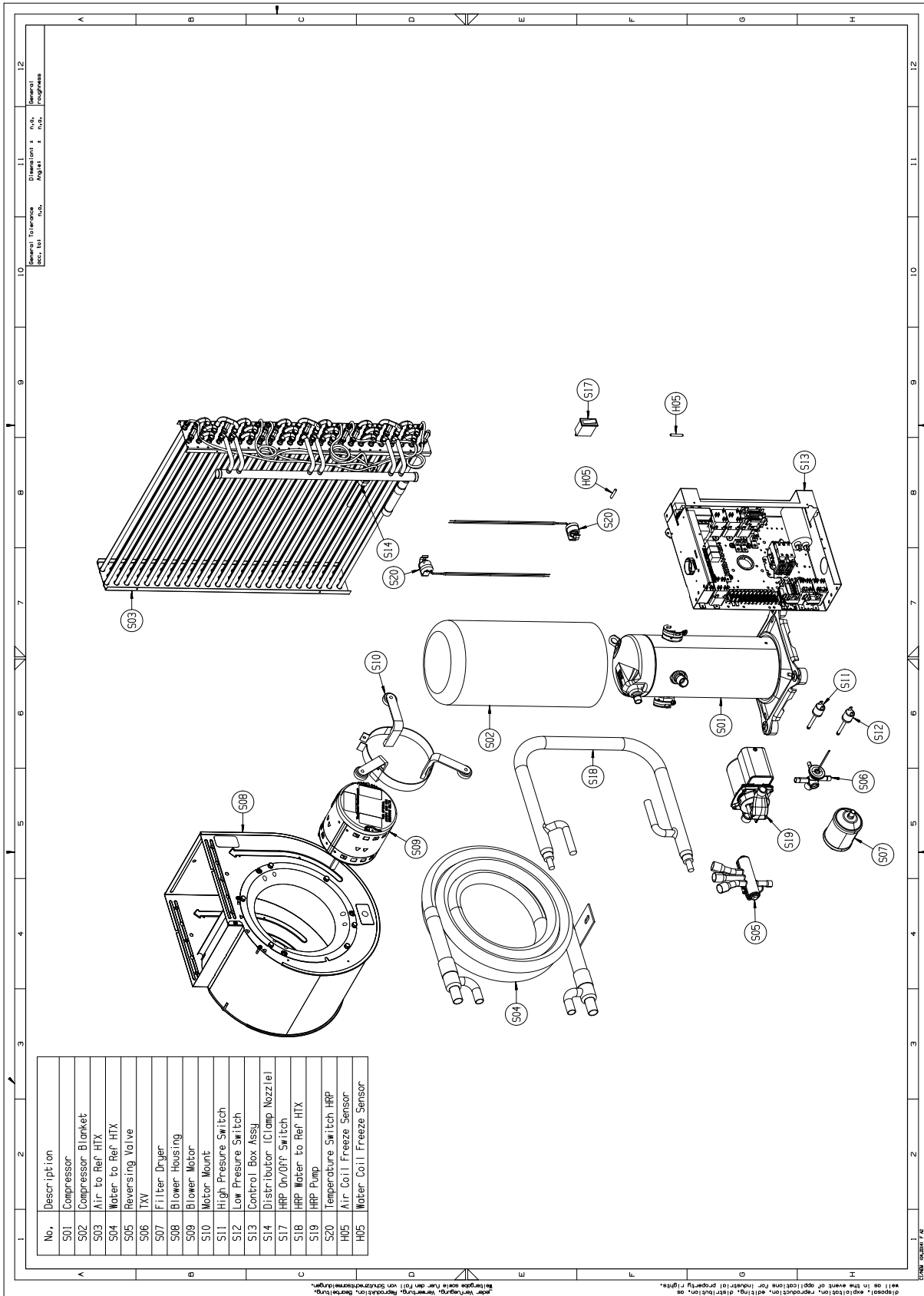
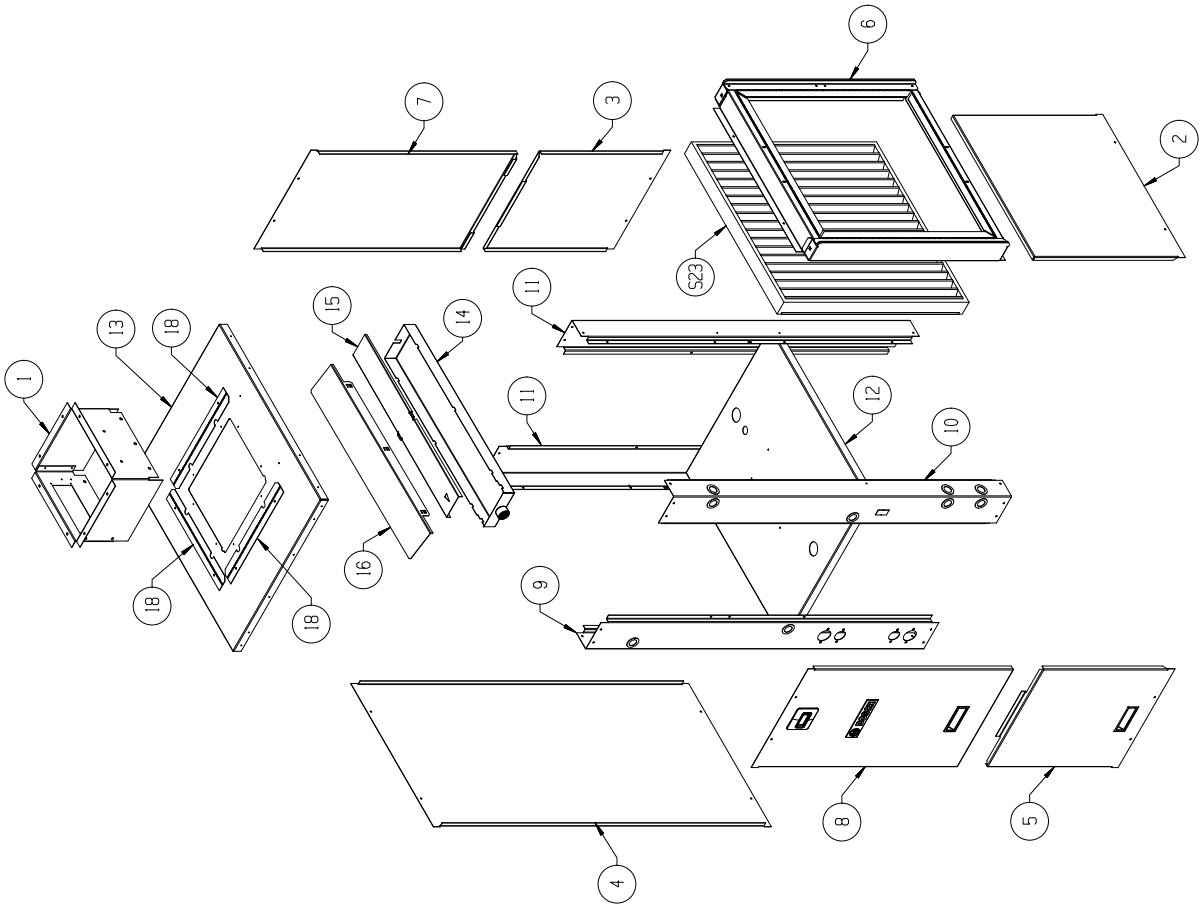


Figure # 72

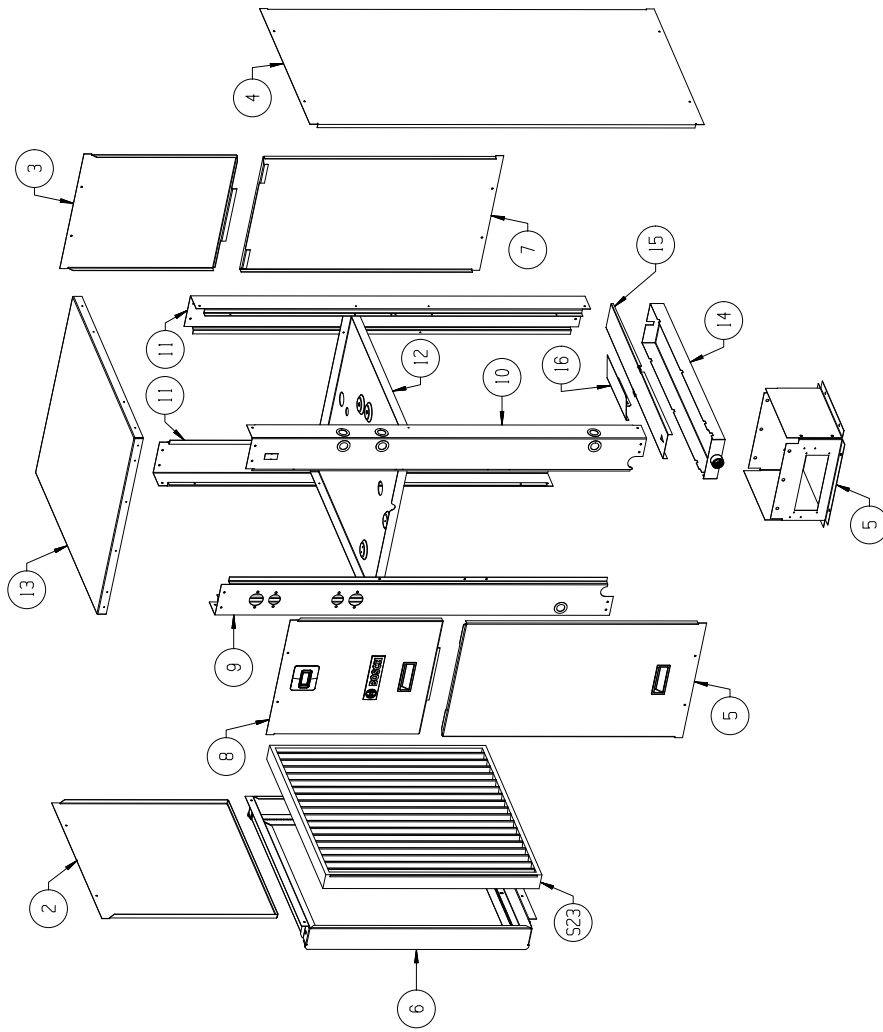
VT



No.	DESCRIPTION
1	HEATER COLLAR
2	EVAPORATOR/LIP PANEL
3	ACCESS PANEL REAR
4	SIDE PANEL FULL
5	ACCESS PANEL
6	FILTER RACK
7	REAR PANEL
8	LOGO PANEL
9	WATER POST
10	ELECTRICAL POST
11	REGULAR POST
12	DIVIDER PANEL
13	TOP PANEL
14	DRAIN PAN
15	WEDGE/AIR COIL SUPPORT
16	CONDENSATE DRIP SHIELD
18	DUCT COLLAR
S23	AIR FILTER

Figure # 73

CF



No.	DESCRIPTION
1	HEATER COLLAR
2	EVAPORATOR/LIP PANEL
3	ACCESS PANEL REAR
4	SIDE PANEL FULL
5	ACCESS PANEL
6	FILTER RACK
7	REAR PANEL
8	LOGO PANEL
9	WATER POST
10	ELECTRICAL POST
11	REGULAR POST
12	DIVIDER PANEL
13	TOP PANEL
14	DRAIN PAN
15	WEDGE/AIR COIL SUPPORT
16	CONDENSATE DRIP SHIELD
S23	AIR FILTER

Figure # 74

HZ

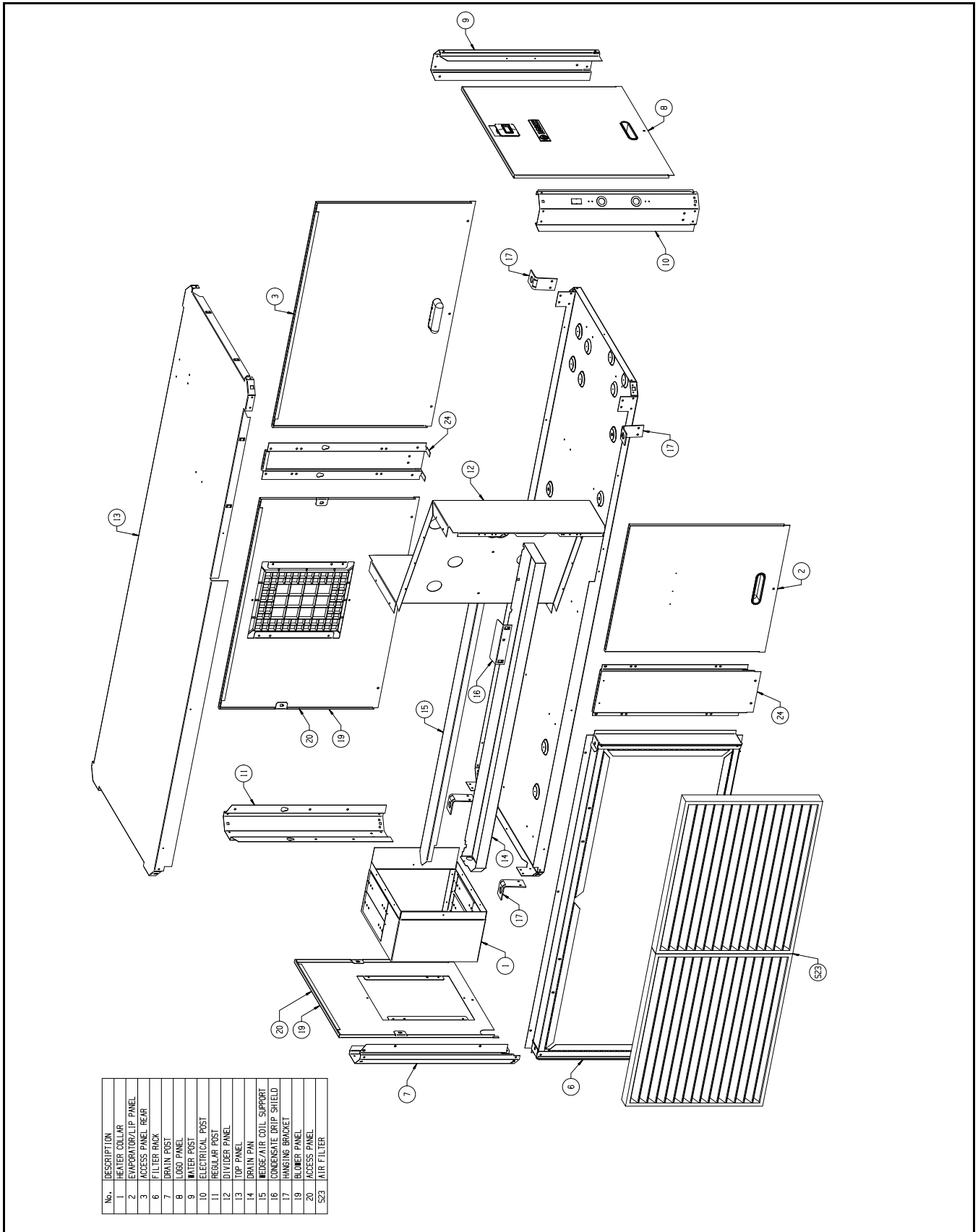


Figure # 75