

# 4SHP15LE

## PRODUCT SPECIFICATIONS

## 15 SEER SPLIT SYSTEM HEAT PUMP

FORM NO. 4SHP15LE-100 (12/2017)



### COMPRESSOR

- High-efficiency scroll compressor
- R410a refrigerant
- Grommet-mounted compressor for quiet operation
- Protected against high temperature motor overload conditions
- Heavy-duty compressor sound blanket for quiet operation

### CABINET

- Full metal louvered panel coil guard protection that is easily removed for coil cleaning
- Controls located in corner for easy installation and service
- Rounded corners for safety and attractive, clean appearance
- Baked polyester paint finish over galvanized steel for maximum durability
- PVC-coated wire fan discharge grille
- External gauge ports for easy service
- Raised base pan with ports allows for excellent water and debris drainage

### COMPONENTS

- Filter drier shipped loose for installation flexibility
- Discharge muffler for quiet operation
- High Pressure switch
- Low pressure switch for loss of charge system protection
- Reliable, solid state, time-initiated, temperature terminated defrost system
- Service valves positioned for quick installation and easy service
- Trade-available components
- Defrost control features built-in diagnostics for easier service
- Defrost control has short cycle protection to protect compressor
- Defrost control is Quiet Shift™ capable
- Defrost cycle is field selectable 30/60/90 minutes
- Sealed contactor with lugs
- Sound cover

### DESIGN

- Designed for ambients up to 125°F

### COIL

- Enhanced aluminum fins and copper tubing for high efficiency and capacity
- Raised coil prevents debris from collecting in bottom of coil and causing loss of airflow

### ACCESSORIES

- Low ambient control kit
- Crank case heater
- TXV kit
- Hard start kit
- Fossil fuel kit

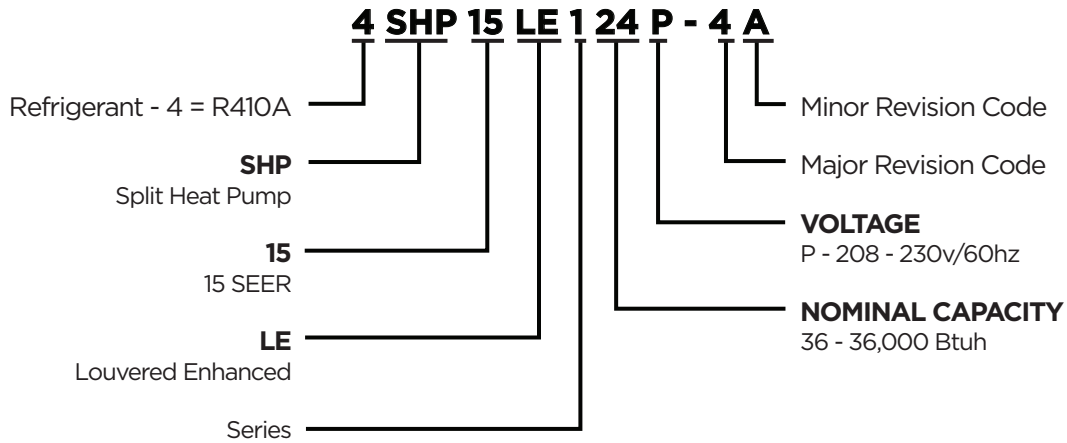
### WARRANTY

- 10 year limited warranty on compressor
- 10 year limited warranty on all parts
- Extended warranty available

*\*Warranty provides for a total of 10 years of limited warranty coverage (Standard 5-year limited parts warranty plus an additional 5-year limited extended parts warranty). Warranty must be registered online within 60 days of installation to qualify for 10-year coverage. Unregistered equipment defaults to 5-year coverage.*



**MODEL NUMBER GUIDE**



**PHYSICAL, ELECTRICAL, AND SOUND**

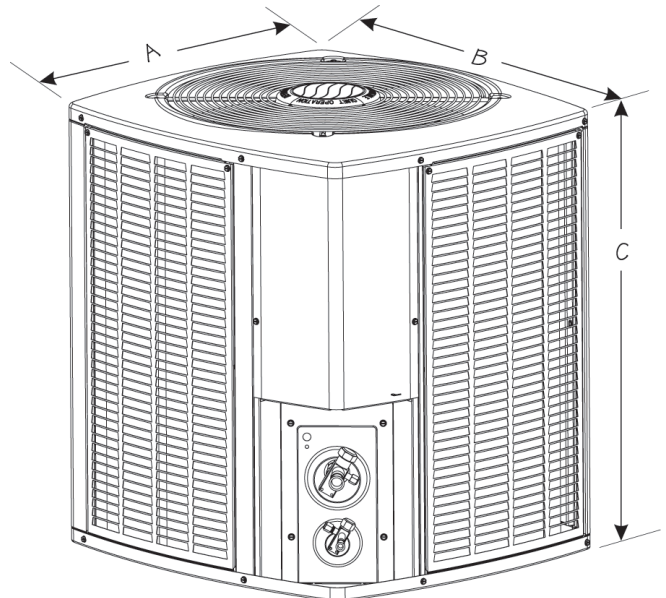
Model	Voltage/ Phase/ Hz	Voltage Range	Min. Circuit Amp.	Max. Over current Device (amps)	Compressor		Fan Motor			Refrig. Charge+ (oz.)	Sound Rating (dBA)
					Rated Load (amps)	Locked Rotor (amps)	Rated Load (amps)	Rated HP	Nom. RPM		
4SHP15LE118P-7	208-230/60/1	197-253	12.2	20	9.0	48	1.0	1/6	825	93	76
4SHP15LE124P-7	208-230/60/1	197-253	17.9	30	13.5	58	1.1	1/6	825	94	76
4SHP15LE130P-7	208-230/60/1	197-253	17.1	25	12.8	64	1.1	1/6	825	90	76
4SHP15LE136P-7	208-230/60/1	197-253	18.7	30	14.1	77	1.1	1/6	825	150	76
4SHP15LE142P-7	208-230/60/1	197-253	24.2	40	18.0	112	1.8	1/3	825	184	79
4SHP15LE148P-7	208-230/60/1	197-253	29.0	50	21.8	117	1.8	1/3	825	161	80
4SHP15LE160P-7	208-230/60/1	197-253	29.4	50	22.1	125	1.8	1/3	825	197	80

Note: Weights listed are unit weights with packaging.  
 + Factory charged for 15 feet of line set. Adjust per installation instructions.

**UNIT DIMENSIONS AND WEIGHT**

Model No.	Dimensions (inch)			Weight
	A-Width	B-Depth	C-Height	
4SHP15LE118P-7	29.25	31.25	37.75	175
4SHP15LE124P-7	29.25	31.25	37.75	177
4SHP15LE130P-7	29.25	31.25	37.75	178
4SHP15LE136P-7	29.25	31.25	33.75	202
4SHP15LE142P-7	35.75	37.75	37.75	272
4SHP15LE148P-7	35.75	37.75	37.75	273
4SHP15LE160P-7	35.75	37.75	43.75	297

Note: Dimensions listed are unit sizes w/o packaging



**COOLING PERFORMANCE WITH EVAPORATOR COILS**

Outdoor Model	Indoor Model		Cooling				Heating				CFM	Refrigerant Connection				Refrig. Line Size		Indoor Expansion Device	
	Evap. Coil <sup>2</sup>	SEER	EER	AHRI Rated Capacity <sup>1</sup> BTUH	Sensible Capacity BTUH	HSPF	47°		17°			Outdoor		Indoor		Suction	Liquid	Piston <sup>2</sup>	TXV
							BTUH	COP	BTUH	COP		Suction	Liquid	Suction	Liquid				
4SHP15LE118P-1	E*1P23(A,B)+H4TXV02+45 SEC BLOWER DELAY	14	12	18000	13200	8.2	17000	3.5	10000	2.3	650	3/4	3/8	3/4	3/8	3/4	3/8	N/A	H4TXV01
	EC4X23(A,B)+45 SEC BLOWER DELAY	14	12	18000	13200	8.2	17000	3.5	10000	2.3	650	3/4	3/8	3/4	3/8	3/4	3/8		INC
4SHP15LE124P-1	E*1P24(A,B)+H4TXV01+TDR	14	11.5	23400	17000	8.2	21600	3.4	14000	2.3	850	3/4	3/8	3/4	3/8	3/4	3/8	N/A	H4TXV01
	E*1P29(A,B)+H4TXV01+TDR	14	11.5	23400	17000	8.2	21600	3.4	14000	2.3	850	3/4	3/8	3/4	3/8	3/4	3/8		H4TXV01
	EC4X24A,B+TDR	14	11.5	23400	17000	8.2	21600	3.4	14000	2.3	850	3/4	3/8	3/4	3/8	3/4	3/8		INC
	EC4X29A,B+TDR	14	11.5	23400	17000	8.2	21600	3.4	14000	2.3	850	3/4	3/8	3/4	3/8	3/4	3/8		INC
	ED1P30/36+H4TXV01+45 SEC BLOWER TIME DELAY	14	11	23000	17000	8.2	22600	3.4	14200	2.3	800	3/4	3/8	3/4	3/8	3/4	3/8		H4TXV01
4SHP15LE136P-1	E*1P49C+H4TXV02	14	12	34000	25100	8.2	33800	3.5	21800	2.5	1250	7/8	3/8	3/4	3/8	7/8	3/8	N/A	H4TXV02
	E*1P43B+H4TXV02	14	12	34000	25100	8.2	33800	3.5	21800	2.5	1250	7/8	3/8	3/4	3/8	7/8	3/8		H4TXV02
	EC4X49C+TDR	14	12	34000	25100	8.2	33800	3.5	21800	2.5	1250	7/8	3/8	7/8	3/8	7/8	3/8		INC
	EC4X43B+TDR	14	12	34000	25100	8.2	33800	3.5	21800	2.5	1250	7/8	3/8	3/4	3/8	7/8	3/8		INC
	ED1P48+H4TXV02+45 SEC BLOWER TIME DELAY	14	11	34000	25100	8.2	34000	3.5	21600	2.5	1200	7/8	3/8	3/4	3/8	7/8	3/8		H4TXV02
	ED1P50/60+H4TXV02+45 SEC BLOWER TIME DELAY	14	11	34000	25100	8.5	33400	3.5	21200	2.5	1200	7/8	3/8	3/4	3/8	7/8	3/8		H4TXV02

Note:  
 Certified in accordance with Unitary Air Conditioner Certification Program, which is based on AHRI Standard 210/240 Required to achieve AHRI rating. If NA (Not Applicable) is in the piston column, then TXV is required.  
 A blower time delay relay is required to achieve AHRI rating. This feature is standard on all Allied Air Enterprises furnace and AH products.

**COOLING PERFORMANCE WITH EVAPORATOR COILS**

Outdoor Model	Indoor Model		Cooling				Heating				CFM	Refrigerant Connection				Refrig. Line Size		Indoor Expansion Device	
	Evap. Coil <sup>2</sup>	SEER	EER	AHRI Rated Capacity <sup>1</sup> BTUH	Sensible Capacity BTUH	HSPF	47°		17°			Outdoor		Indoor		Suction	Liquid	Piston <sup>2</sup>	TXV
							BTUH	COP	BTUH	COP		Suction	Liquid	Suction	Liquid				
<b>4SHP15LE142P-1</b>	E*1P49C+H4TXV02+TDR	14	12	41000	30200	8.2	40000	3.5	27800	2.4	1400	7/8	3/8	7/8	3/8	7/8	3/8		H4TXV02
	E*1P62D+H4TXV02+TDR	14	12	41000	30200	8.2	40000	3.5	28800	2.4	1400	7/8	3/8	7/8	3/8	7/8	3/8		H4TXV02
	EC4X49C+TDR	14	12	41000	30200	8.2	40000	3.5	27800	2.4	1400	7/8	3/8	7/8	3/8	7/8	3/8		INC
	EC4X62D+TDR	14	12	41000	30200	8.2	40000	3.5	28800	2.4	1400	7/8	3/8	7/8	3/8	7/8	3/8		H4TXV02
	ED1P50/60+H4TXV02+45 SEC BLOWER TIME DELAY	14	11	41000	30200	8.7	43500	3.5	27800	2.4	1400	7/8	3/8	7/8	3/8	7/8	3/8		H4TXV02
	ED1P60+H4TXV02+45 SEC BLOWER TIME DELAY	14	11	41000	30200	8.7	43500	3.5	27800	2.4	1400	7/8	3/8	7/8	3/8	7/8	3/8		H4TXV02
<b>4SHP15LE148P-1</b>	E*1P49C+H4TXV02+TDR	14	12	47000	34600	8.2	46000	3.4	29600	2.5	1600	7/8	3/8	7/8	3/8	7/8	3/8		H4TXV02
	E*1P62D+H4TXV02+TDR	14	12	47000	34600	8.2	46000	3.4	29600	2.5	1600	7/8	3/8	7/8	3/8	7/8	3/8		H4TXV02
	EC4X49C+TDR	14	12	47000	34600	8.2	46000	3.4	29600	2.5	1600	7/8	3/8	7/8	3/8	7/8	3/8		INC
	EC4X62D+TDR	14	12	47000	34600	8.2	46000	3.4	29600	2.5	1600	7/8	3/8	7/8	3/8	7/8	3/8		INC
<b>4SHP15LE160P-1</b>	E*1P62D+H4TXV03+TDR	14	12	57000	42100	8.2	55000	3.4	36000	2.5	1900	7/8	3/8	7/8	3/8	1 1/8	3/8		H4TXV03
	E*1P62C+H4TXV03+TDR	14	12	57000	42100	8.2	55000	3.4	36000	2.5	1900	7/8	3/8	7/8	3/8	1 1/8	3/8		H4TXV03
	EC4X62D+TDR	14	12	57000	42100	8.2	55000	3.4	36000	2.5	1900	7/8	3/8	7/8	3/8	1 1/8	3/8		INC
	EC4X62C+TDR	14	12	57000	42100	8.2	55000	3.4	36000	2.5	1900	7/8	3/8	7/8	3/8	1 1/8	3/8		INC
	ED1P50/60+H4TXV02+45 SEC BLOWER TIME DELAY	14	11	58500	42100	8.2	58500	3.4	38000	2.5	1750	7/8	3/8	7/8	3/8	1 1/8	3/8		H4TXV02
	ED1P60+H4TXV02+45 SEC BLOWER TIME DELAY	14	11	58500	42100	8.2	58500	3.4	38000	2.5	1800	7/8	3/8	7/8	3/8	1 1/8	3/8		H4TXV02

N/A



Outdoor Model	Indoor Model		Cooling				Heating				CFM		
	Evap. Coil	Furnace	SEER	EER	AHRI Rated Capacity BTUH	Sensible Capacity BTUH	HSPF	47°		17°			
								Btuh	COP	Btuh		COP	
4SHPI5LE118P-1	BCE4M24S*		15.5	13	18000	17000	8.2	17000	3.5	10000	2.3	650	
	BCE3M24E****4X		15.1	12.5	18000	17000	8.2	17000	3.5	10000	2.3	650	
	BCE3M24V****4X		15	12	18000	17000	8.2	17000	3.5	11000	2.3	650	
	BCE3M18C****4X		14	12	18000	17000	8.2	17000	3.5	10000	2.3	650	
	BCE3M18C****P+TXV		14	12	18000	17000	8.2	17000	3.5	10000	2.3	650	
	BCE3M24C****4X		14	12	18000	17000	8.2	17000	3.5	10000	2.3	650	
	E*1P23A+H4TXV01	A80UH1E045A12		16	13	18000	17000	8.2	17000	3.5	10000	2.3	650
	E*1P23A+H4TXV01	A80US2V070A12		16	13	18000	17000	8.2	17000	3.5	10000	2.3	650
	E*1P23B+H4TXV01	A80UH2V090B16		16	13	18000	17000	8.2	17000	3.5	10000	2.3	650
	E*1P23B+H4TXV01	A80US2V070A12		16	13	18000	17000	8.2	17000	3.5	10000	2.3	650
	E*1P23B+H4TXV01	A80US2V090B12		16	13	18000	17000	8.2	17000	3.5	10000	2.3	650
	E*1P23B+H4TXV01	A80US2V090B16		16	13	18000	17000	8.2	17000	3.5	10000	2.3	650
	E*1P23B+H4TXV01	A96US2V070B12		16	13	18000	17000	8.2	17000	3.5	10000	2.3	650
	E*1P23B+H4TXV01	A97USMV070B12		16	13	18000	17000	8.2	17000	3.5	10000	2.3	650
	E*1P23B+H4TXV01	EFV08BC		16	13	18000	17000	8.2	17000	3.5	10000	2.3	650
	E*1P23B+H4TXV01	A80UH1E070B12		15.1	12.5	18000	17000	8.2	17000	3.5	10000	2.3	650
	E*1P23B+H4TXV01	A95UH1E045B12		15.1	12.5	18000	17000	8.2	17000	3.5	10000	2.3	650
	E*1P23B+H4TXV01	A95UH1E070B12		15.1	12.5	18000	17000	8.2	17000	3.5	10000	2.3	650
	E*1P23B+H4TXV01	A95UH2E045B12		15.1	12.5	18000	17000	8.2	17000	3.5	10000	2.3	650
	E*1P23B+H4TXV01	A95UH2E070B12		15.1	12.5	18000	17000	8.2	17000	3.5	10000	2.3	650
	E*1P23B+H4TXV01	A96UH2E030B08S		15.1	12.5	18000	17000	8.2	17000	3.5	10000	2.3	650
	E*1P23B+H4TXV01	A96UH2E045B12		15.1	12.5	18000	17000	8.2	17000	3.5	10000	2.3	650
	E*1P23B+H4TXV01	A96UH2E070B12		15.1	12.5	18000	17000	8.2	17000	3.5	10000	2.3	650
	E*1P23B+H4TXV01	A96US2V045B12		15.1	12.5	18000	17000	8.2	17000	3.5	10000	2.3	650
	E*1P24A+H4TXV01	A80US2V070A12		16	13	18000	17000	8.2	17000	3.5	10000	2.3	650
	E*1P24A+H4TXV01	A80UH1E045A12		15.1	12.5	18000	17000	8.2	17000	3.5	10000	2.3	650
	E*1P24B+H4TXV01	A80UH2V090B16		16	13	18000	17000	8.2	17000	3.5	10000	2.3	650
	E*1P24B+H4TXV01	A80US2V070A12		16	13	18000	17000	8.2	17000	3.5	10000	2.3	650
	E*1P24B+H4TXV01	A80US2V090B12		16	13	18000	17000	8.2	17000	3.5	10000	2.3	650
	E*1P24B+H4TXV01	A97USMV070B12		16	13	18000	17000	8.2	17000	3.5	10000	2.3	650
	E*1P24B+H4TXV01	A80UH1E070B12		15.1	12.5	18000	17000	8.2	17000	3.5	10000	2.3	650
	E*1P24B+H4TXV01	A80US2V090B16		15.1	12.5	18000	17000	8.2	17000	3.5	10000	2.3	650
	E*1P24B+H4TXV01	A95UH1E045B12		15.1	12.5	18000	17000	8.2	17000	3.5	10000	2.3	650
	E*1P24B+H4TXV01	A95UH1E070B12		15.1	12.5	18000	17000	8.2	17000	3.5	10000	2.3	650
	E*1P24B+H4TXV01	A96UH2E030B08S		15.1	12.5	18000	17000	8.2	17000	3.5	10000	2.3	650
	E*1P24B+H4TXV01	A96US2V045B12		15.1	12.5	18000	17000	8.2	17000	3.5	10000	2.3	650
	E*1P24B+H4TXV01	A96US2V070B12		15.1	12.5	18000	17000	8.2	17000	3.5	10000	2.3	650
	E*1P24B+H4TXV01	EFV08BC		15.1	12.5	18000	17000	8.2	17000	3.5	10000	2.3	650
	EC4X23A	A80UH1E045A12		16	13	18000	17000	8.2	17000	3.5	10000	2.3	650
	EC4X23A	A80US2V070A12		16	13	18000	17000	8.2	17000	3.5	10000	2.3	650
	EC4X23B	A80UH2V090B16		16	13	18000	17000	8.2	17000	3.5	10000	2.3	650
	EC4X23B	A80US2V070A12		16	13	18000	17000	8.2	17000	3.5	10000	2.3	650
EC4X23B	A80US2V090B12		16	13	18000	17000	8.2	17000	3.5	10000	2.3	650	
EC4X23B	A80US2V090B16		16	13	18000	17000	8.2	17000	3.5	10000	2.3	650	
EC4X23B	A96US2V070B12		16	13	18000	17000	8.2	17000	3.5	10000	2.3	650	
EC4X23B	A97USMV070B12		16	13	18000	17000	8.2	17000	3.5	10000	2.3	650	
EC4X23B	EFV08BC		16	13	18000	17000	8.2	17000	3.5	10000	2.3	650	

Outdoor Model	Indoor Model		Cooling				Heating				CFM	
	Evap. Coil	Furnace	SEER	EER	AHRI Rated Capacity BTUH	Sensible Capacity BTUH	HSPF	47°		17°		
								Btuh	COP	Btuh		COP
4SHP15LE18P-1	EC4X23B	A80UH1E070B12	15.1	12.5	18000	17000	8.2	17000	3.5	10000	2.3	650
	EC4X23B	A95UH1E045B12	15.1	12.5	18000	17000	8.2	17000	3.5	10000	2.3	650
	EC4X23B	A95UH1E070B12	15.1	12.5	18000	17000	8.2	17000	3.5	10000	2.3	650
	EC4X23B	A95UH2E045B12	15.1	12.5	18000	17000	8.2	17000	3.5	10000	2.3	650
	EC4X23B	A95UH2E070B12	15.1	12.5	18000	17000	8.2	17000	3.5	10000	2.3	650
	EC4X23B	A96UH2E030B08S	15.1	12.5	18000	17000	8.2	17000	3.5	10000	2.3	650
	EC4X23B	A96UH2E045B12	15.1	12.5	18000	17000	8.2	17000	3.5	10000	2.3	650
	EC4X23B	A96UH2E070B12	15.1	12.5	18000	17000	8.2	17000	3.5	10000	2.3	650
	EC4X23B	A96US2V045B12	15.1	12.5	18000	17000	8.2	17000	3.5	10000	2.3	650
	EC4X24A	A80US2V070A12	16	13	18000	17000	8.2	17000	3.5	10000	2.3	650
	EC4X24A	A80UH1E045A12	15.1	12.5	18000	17000	8.2	17000	3.5	10000	2.3	650
	EC4X24B	A80UH2V090B16	16	13	18000	17000	8.2	17000	3.5	10000	2.3	650
	EC4X24B	A80US2V090B12	16	13	18000	17000	8.2	17000	3.5	10000	2.3	650
	EC4X24B	A97USMV070B12	16	13	18000	17000	8.2	17000	3.5	10000	2.3	650
	EC4X24B	A80UH1E070B12	15.1	12.5	18000	17000	8.2	17000	3.5	10000	2.3	650
	EC4X24B	A80US2V090B16	15.1	12.5	18000	17000	8.2	17000	3.5	10000	2.3	650
	EC4X24B	A95UH1E045B12	15.1	12.5	18000	17000	8.2	17000	3.5	10000	2.3	650
	EC4X24B	A95UH1E070B12	15.1	12.5	18000	17000	8.2	17000	3.5	10000	2.3	650
	EC4X24B	A96UH2E030B08S	15.1	12.5	18000	17000	8.2	17000	3.5	10000	2.3	650
	EC4X24B	A96US2V045B12	15.1	12.5	18000	17000	8.2	17000	3.5	10000	2.3	650
	EC4X24B	A96US2V070B12	15.1	12.5	18000	17000	8.2	17000	3.5	10000	2.3	650
	EC4X24B	EFV08BC	15.1	12.5	18000	17000	8.2	17000	3.5	10000	2.3	650
ED1P30/36A+H4TXV01	A80DF1E045A12	16	13	18000	17000	8.5	18000	3.5	11400	2.3	665	
4SHP15LE124P-1	BCE3M30E****4X		15	12.5	23400	17100	8.5	21600	3.4	14000	2.3	850
	BCE3M30V****4X		15	12	24000	17100	8.2	21000	3.4	13000	2.3	875
	BCE4M30S*		15	12.5	23400	17100	8.5	20000	3.4	13600	2.3	850
	BCE4M36S*		15	12.5	23400	17100	8.5	20000	3.4	13600	2.3	850
	BCE3M24C****4X		14	12	23400	17100	8.2	21600	3.4	14000	2.3	850
	BCE3M24C****P+TXV		14	12	23400	17100	8.2	21600	3.4	14000	2.3	850
	BCE3M30C****4X		14	12	23400	17100	8.2	21600	3.4	14000	2.3	850
	BCE3M30C****P+TXV		14	12	23400	17100	8.2	21600	3.4	14000	2.3	850
	E*1P23A+H4TXV01	A80UH2V070A12*	15	12.5	23400	17100	8.2	21600	3.6	14000	2.5	850
	E*1P23A+H4TXV01	A80US2V070A12*	15	12.5	23400	17100	8.2	21600	3.6	14000	2.5	850
	E*1P23A+H4TXV01	A80UH1E045A12*	14.5	12	23400	17100	8.2	21600	3.6	14000	2.5	875
	E*1P23B+H4TXV01	A96UH2E030B08S	15.1	12.5	23400	17100	8.2	21600	3.6	14000	2.5	875
	E*1P23B+H4TXV01	A80UH1E070B12*	15	12.5	23400	17100	8.2	21600	3.6	14000	2.5	850
	E*1P23B+H4TXV01	A80UH2V090B12*	15	12.5	23400	17100	8.2	21600	3.6	14000	2.5	850
	E*1P23B+H4TXV01	A80UH2V090B16*	15	12.5	23400	17100	8.2	21600	3.6	14000	2.5	850
	E*1P23B+H4TXV01	A80US2V090B12*	15	12.5	23400	17100	8.2	21600	3.6	14000	2.5	850
	E*1P23B+H4TXV01	A80US2V090B16*	15	12.5	23400	17100	8.2	21600	3.6	14000	2.5	850
	E*1P23B+H4TXV01	A96US2V045B12S	15	12.5	23400	17100	8.2	21600	3.6	14000	2.5	850
	E*1P23B+H4TXV01	A96US2V070B12S	15	12.5	23400	17100	8.2	21600	3.6	14000	2.5	850
	E*1P23B+H4TXV01	A97USMV070B12*	15	12.5	23400	17100	8.2	21600	3.6	14000	2.5	850
E*1P23B+H4TXV01	EFV08BC	15	12.5	23400	17100	8.2	21600	3.6	14000	2.5	850	
E*1P23B+H4TXV01	A95UH1E045B12S	14.5	12	23400	17100	8.2	21600	3.6	14000	2.5	875	
E*1P23B+H4TXV01	A95UH1E070B12S	14.5	12	23400	17100	8.2	21600	3.6	14000	2.5	875	

Outdoor Model	Indoor Model		Cooling				Heating				CFM	
	Evap. Coil	Furnace	SEER	EER	AHRI Rated Capacity BTUH	Sensible Capacity BTUH	HSPF	47°		17°		
								Btuh	COP	Btuh		COP
4SHPI5LE124P-1	E*1P24A+H4TXV01	A80UH2V070A12*	15	12.5	23400	17100	8.5	21600	3.6	14000	2.5	850
	E*1P24A+H4TXV01	A80US2V070A12*	15	12.5	23400	17100	8.5	21600	3.6	14000	2.5	850
	E*1P24A+H4TXV01	A80UH1E045A12*	14.5	12	23400	17100	8.5	21600	3.6	14000	2.5	875
	E*1P24B+H4TXV01	A96UH2E030B08S	15.1	12.5	23400	17100	8.2	21600	3.6	14000	2.5	875
	E*1P24B+H4TXV01	L85B*1V67/87E14	15.1	12.5	23400	17100	8.2	21600	3.6	14000	2.5	850
	E*1P24B+H4TXV01	A80UH1E070B12*	15	12.5	23400	17100	8.5	21600	3.6	14000	2.5	850
	E*1P24B+H4TXV01	A80UH2V090B12*	15	12.5	23400	17100	8.5	21600	3.6	14000	2.5	850
	E*1P24B+H4TXV01	A80UH2V090B16*	15	12.5	23400	17100	8.5	21600	3.6	14000	2.5	850
	E*1P24B+H4TXV01	A80US2V090B12*	15	12.5	23400	17100	8.5	21600	3.6	14000	2.5	850
	E*1P24B+H4TXV01	A80US2V090B16*	15	12.5	23400	17100	8.5	21600	3.6	14000	2.5	850
	E*1P24B+H4TXV01	A96US2V045B12S	15	12.5	23400	17100	8.5	21600	3.6	14000	2.5	850
	E*1P24B+H4TXV01	A96US2V070B12S	15	12.5	23400	17100	8.5	21600	3.6	14000	2.5	850
	E*1P24B+H4TXV01	A97USMV070B12*	15	12.5	23400	17100	8.5	21600	3.6	14000	2.5	850
	E*1P24B+H4TXV01	EFV08BC	15	12.5	23400	17100	8.5	21600	3.6	14000	2.5	850
	E*1P24B+H4TXV01	L83B*1V84/95E14	15	12.5	23400	17100	8.2	21600	3.6	14000	2.5	850
	E*1P24B+H4TXV01	L83HF1V84/95E12	15	12.5	23400	17100	8.2	21600	3.6	14000	2.5	850
	E*1P24B+H4TXV01	L83HR1V84/95E12	15	12.5	23400	17100	8.2	21600	3.6	14000	2.5	850
	E*1P24B+H4TXV01	L83UF1V57/72E12	15	12.5	23400	17100	8.2	21600	3.6	14000	2.5	850
	E*1P24B+H4TXV01	L83UF1V84/95E14	15	12.5	23400	17100	8.2	21600	3.6	14000	2.5	850
	E*1P24B+H4TXV01	A95UH1E045B12S	14.5	12	23400	17100	8.5	21600	3.6	14000	2.5	875
	E*1P24B+H4TXV01	A95UH1E070B12S	14.5	12	23400	17100	8.5	21600	3.6	14000	2.5	875
	E*1P29A+H4TXV01	A80UH2V070A12*	15	12.5	23400	17100	8.5	21600	3.6	14000	2.5	850
	E*1P29A+H4TXV01	A80US2V070A12*	15	12.5	23400	17100	8.5	21600	3.6	14000	2.5	850
	E*1P29A+H4TXV01	A80UH1E045A12*	14.5	12	23400	17100	8.5	21600	3.6	14000	2.5	850
	E*1P29B+H4TXV01	L85UF1V67/87E14	15.1	12.5	23400	17100	8.2	21600	3.6	14000	2.5	850
	E*1P29B+H4TXV01	A80UH1E070B12*	15	12.5	23400	17100	8.5	21600	3.6	14000	2.5	850
	E*1P29B+H4TXV01	A80UH2V090B12*	15	12.5	23400	17100	8.5	21600	3.6	14000	2.5	850
	E*1P29B+H4TXV01	A80UH2V090B16*	15	12.5	23400	17100	8.5	21600	3.6	14000	2.5	850
	E*1P29B+H4TXV01	A80US2V090B12*	15	12.5	23400	17100	8.5	21600	3.6	14000	2.5	850
	E*1P29B+H4TXV01	A80US2V090B16*	15	12.5	23400	17100	8.5	21600	3.6	14000	2.5	850
	E*1P29B+H4TXV01	A96US2V045B12S	15	12.5	23400	17100	8.5	21600	3.6	14000	2.5	850
	E*1P29B+H4TXV01	A96US2V070B12S	15	12.5	23400	17100	8.5	21600	3.6	14000	2.5	850
	E*1P29B+H4TXV01	A97USMV070B12*	15	12.5	23400	17100	8.5	21600	3.6	14000	2.5	850
	E*1P29B+H4TXV01	EFV08BC	15	12.5	23400	17100	8.5	21600	3.6	14000	2.5	850
	E*1P29B+H4TXV01	L83B*1V84/95E14	15	12.5	23400	17100	8.2	21600	3.6	14000	2.5	850
	E*1P29B+H4TXV01	L83HF1V84/95E12	15	12.5	23400	17100	8.2	21600	3.6	14000	2.5	850
	E*1P29B+H4TXV01	L83HR1V84/95E12	15	12.5	23400	17100	8.2	21600	3.6	14000	2.5	850
	E*1P29B+H4TXV01	L83UF1V57/72E12	15	12.5	23400	17100	8.2	21600	3.6	14000	2.5	850
	E*1P29B+H4TXV01	L83UF1V84/95E14	15	12.5	23400	17100	8.2	21600	3.6	14000	2.5	850
	E*1P29B+H4TXV01	A95UH1E045B12S	14.5	12	23400	17100	8.5	21600	3.6	14000	2.5	875
	E*1P29B+H4TXV01	A95UH1E070B12S	14.5	12	23400	17100	8.5	21600	3.6	14000	2.5	875
	EC4X23A	A80UH2V070A12*	15	12.5	23400	17100	8.2	21600	3.6	14000	2.5	850
	EC4X23A	A80US2V070A12*	15	12.5	23400	17100	8.2	21600	3.6	14000	2.5	850
	EC4X23A	A80UH1E045A12*	14.5	12	23400	17100	8.2	21600	3.6	14000	2.5	875
	EC4X23B	A96UH2E030B08S	15.1	12.5	23400	17100	8.2	21600	3.6	14000	2.5	875



Outdoor Model	Indoor Model		Cooling				Heating				CFM	
	Evap. Coil	Furnace	SEER	EER	AHRI Rated Capacity BTUH	Sensible Capacity BTUH	HSPF	47°		17°		
								Btuh	COP	Btuh		COP
4SHP15LE124P-1	EC4X23B	A80UH1E070B12*	15	12.5	23400	17100	8.2	21600	3.6	14000	2.5	850
	EC4X23B	A80UH2V090B12*	15	12.5	23400	17100	8.2	21600	3.6	14000	2.5	850
	EC4X23B	A80UH2V090B16*	15	12.5	23400	17100	8.2	21600	3.6	14000	2.5	850
	EC4X23B	A80US2V090B12*	15	12.5	23400	17100	8.2	21600	3.6	14000	2.5	850
	EC4X23B	A80US2V090B16*	15	12.5	23400	17100	8.2	21600	3.6	14000	2.5	850
	EC4X23B	A96US2V045B12S	15	12.5	23400	17100	8.2	21600	3.6	14000	2.5	850
	EC4X23B	A96US2V070B12S	15	12.5	23400	17100	8.2	21600	3.6	14000	2.5	850
	EC4X23B	A97USMV070B12*	15	12.5	23400	17100	8.2	21600	3.6	14000	2.5	850
	EC4X23B	EFV08BC	15	12.5	23400	17100	8.2	21600	3.6	14000	2.5	850
	EC4X23B	A95UH1E045B12S	14.5	12	23400	17100	8.2	21600	3.6	14000	2.5	875
	EC4X23B	A95UH1E070B12S	14.5	12	23400	17100	8.2	21600	3.6	14000	2.5	875
	EC4X24A	A80UH2V070A12*	15	12.5	23400	17100	8.5	21600	3.6	14000	2.5	850
	EC4X24A	A80US2V070A12*	15	12.5	23400	17100	8.5	21600	3.6	14000	2.5	850
	EC4X24A	A80UH1E045A12*	14.5	12	23400	17100	8.5	21600	3.6	14000	2.5	875
	EC4X24B	A96UH2E030B08S	15.1	12.5	23400	17100	8.2	21600	3.6	14000	2.5	875
	EC4X24B	L85B*1V67/87E14	15.1	12.5	23400	17100	8.2	21600	3.6	14000	2.5	850
	EC4X24B	A80UH1E070B12*	15	12.5	23400	17100	8.5	21600	3.6	14000	2.5	850
	EC4X24B	A80UH2V090B12*	15	12.5	23400	17100	8.5	21600	3.6	14000	2.5	850
	EC4X24B	A80UH2V090B16*	15	12.5	23400	17100	8.5	21600	3.6	14000	2.5	850
	EC4X24B	A80US2V090B12*	15	12.5	23400	17100	8.5	21600	3.6	14000	2.5	850
	EC4X24B	A80US2V090B16*	15	12.5	23400	17100	8.5	21600	3.6	14000	2.5	850
	EC4X24B	A96US2V045B12S	15	12.5	23400	17100	8.5	21600	3.6	14000	2.5	850
	EC4X24B	A96US2V070B12S	15	12.5	23400	17100	8.5	21600	3.6	14000	2.5	850
	EC4X24B	A97USMV070B12*	15	12.5	23400	17100	8.5	21600	3.6	14000	2.5	850
	EC4X24B	EFV08BC	15	12.5	23400	17100	8.5	21600	3.6	14000	2.5	850
	EC4X24B	L83B*1V84/95E14	15	12.5	23400	17100	8.2	21600	3.6	14000	2.5	850
	EC4X24B	L83HF1V84/95E12	15	12.5	23400	17100	8.2	21600	3.6	14000	2.5	850
	EC4X24B	L83HR1V84/95E12	15	12.5	23400	17100	8.2	21600	3.6	14000	2.5	850
	EC4X24B	L83UF1V57/72E12	15	12.5	23400	17100	8.2	21600	3.6	14000	2.5	850
	EC4X24B	L83UF1V84/95E14	15	12.5	23400	17100	8.2	21600	3.6	14000	2.5	850
	EC4X24B	A95UH1E045B12S	14.5	12	23400	17100	8.5	21600	3.6	14000	2.5	875
	EC4X24B	A95UH1E070B12S	14.5	12	23400	17100	8.5	21600	3.6	14000	2.5	875
	EC4X29A	A80UH2V070A12*	15	12.5	23400	17100	8.5	21600	3.6	14000	2.5	850
	EC4X29A	A80US2V070A12*	15	12.5	23400	17100	8.5	21600	3.6	14000	2.5	850
	EC4X29A	A80UH1E045A12*	14.5	12	23400	17100	8.5	21600	3.6	14000	2.5	850
	EC4X29B	L85UF1V67/87E14	15.1	12.5	23400	17100	8.2	21600	3.6	14000	2.5	850
	EC4X29B	A80UH1E070B12*	15	12.5	23400	17100	8.5	21600	3.6	14000	2.5	850
	EC4X29B	A80UH2V090B12*	15	12.5	23400	17100	8.5	21600	3.6	14000	2.5	850
	EC4X29B	A80UH2V090B16*	15	12.5	23400	17100	8.5	21600	3.6	14000	2.5	850
	EC4X29B	A80US2V090B12*	15	12.5	23400	17100	8.5	21600	3.6	14000	2.5	850
EC4X29B	A80US2V090B16*	15	12.5	23400	17100	8.5	21600	3.6	14000	2.5	850	
EC4X29B	A96US2V045B12S	15	12.5	23400	17100	8.5	21600	3.6	14000	2.5	850	
EC4X29B	A96US2V070B12S	15	12.5	23400	17100	8.5	21600	3.6	14000	2.5	850	
EC4X29B	A97USMV070B12*	15	12.5	23400	17100	8.5	21600	3.6	14000	2.5	850	
EC4X29B	EFV08BC	15	12.5	23400	17100	8.5	21600	3.6	14000	2.5	850	

Outdoor Model	Indoor Model		Cooling					Heating				CFM
	Evap. Coil	Furnace	SEER	EER	AHRI Rated Capacity BTUH	Sensible Capacity BTUH	HSPF	47°		17°		
								Btuh	COP	Btuh	COP	
4SHPI5LE124P-1	EC4X29B	L83B*1V84/95E14	15	12.5	23400	17100	8.2	21600	3.6	14000	2.5	850
	EC4X29B	L83HF1V84/95E12	15	12.5	23400	17100	8.2	21600	3.6	14000	2.5	850
	EC4X29B	L83HR1V84/95E12	15	12.5	23400	17100	8.2	21600	3.6	14000	2.5	850
	EC4X29B	L83UF1V57/72E12	15	12.5	23400	17100	8.2	21600	3.6	14000	2.5	850
	EC4X29B	L83UF1V84/95E14	15	12.5	23400	17100	8.2	21600	3.6	14000	2.5	850
	EC4X29B	A95UH1E045B12S	14.5	12	23400	17100	8.5	21600	3.6	14000	2.5	875
	EC4X29B	A95UH1E070B12S	14.5	12	23400	17100	8.5	21600	3.6	14000	2.5	875
	ED1P30/36A+H4TXV01	A80DF1E045A12	15	12.5	23000	17100	8.7	22000	3.6	13600	2.5	745
	ED1P30/36A+H4TXV01	A80DS2V070A12	15	12.5	23000	17100	8.5	22200	3.6	13700	2.5	800
	ED1P30/36B+H4TXV01	A80DF1E070B12	16	13	23000	17100	9	22200	3.6	13600	2.5	845
	ED1P30/36B+H4TXV01	A95DF1E045B12	16	13	23000	17100	8.5	22200	3.6	13600	2.5	795
	ED1P30/36B+H4TXV01	A95DF1E070B16	16	13	23000	17100	9	22200	3.6	13600	2.5	835
	ED1P30/36B+H4TXV01	A96DF2E045B12	16	13	23000	17100	8.5	22200	3.6	13600	2.5	795
	ED1P30/36B+H4TXV01	A96DF2E070B16	16	13	23000	17100	9	22200	3.6	13600	2.5	835
	ED1P30/36B+H4TXV01	A96DS2V045B12	16	13	23000	17100	8.5	22200	3.6	13600	2.5	805
	ED1P30/36B+H4TXV01	A97DSMV070B12	16	13	23000	17100	9	22200	3.6	13600	2.5	845
	ED1P30/36B+H4TXV01	A80DS2V090B16	15	12.5	23000	17100	9	22200	3.6	13700	2.5	860
	ED1P30/36B+H4TXV01	A96DS2V070B16	15	12.5	23000	17100	8.7	22400	3.6	13800	2.5	850
4SHPI5LE130P-1	BCE3M30E****4X		15	12.5	28600	21500	8.5	26200	3.6	17000	2.5	1050
	BCE3M30V****4X		14.5	12	28600	21500	8.2	25400	3.6	15000	2.5	1000
	BCE4M36S*		14.5	12.5	28200	21500	8.2	25000	3.6	17000	2.5	1050
	BCE4M30S*		14.2	12.5	28200	21500	8.2	25000	3.6	17000	2.5	1050
	BCE3M30C****4X		14	12	28600	21500	8.2	26200	3.6	17000	2.5	1050
	BCE3M30C****P+TXV		14	12	28600	21500	8.2	26200	3.6	17000	2.5	1050
	E*1P24B+H4TXV01	L85B*1V67/87E14	14	12	28600	21500	8.2	26000	3.6	17000	2.5	1050
	E*1P29A+H4TXV01	A80UH2V070A12*	15	12.5	29000	21500	8.5	26200	3.6	17000	2.5	1050
	E*1P29A+H4TXV01	A80US2V070A12*	15	12.5	29000	21500	8.5	26200	3.6	17000	2.5	1050
	E*1P29A+H4TXV01	A80UH1E045A12*	14	12	29000	21500	8.2	26200	3.6	17000	2.5	1050
	E*1P29B+H4TXV01	A80UH2V090B12*	15	12.5	29000	21500	8.5	26200	3.6	17000	2.5	1050
	E*1P29B+H4TXV01	A80US2V090B12*	15	12.5	29000	21500	8.5	26200	3.6	17000	2.5	1050
	E*1P29B+H4TXV01	A97USMV070B12*	15	12.5	29000	21500	8.5	26200	3.6	17000	2.5	1050
	E*1P29B+H4TXV01	A80UH1E070B12*	14.5	12.5	29000	21500	8.5	26200	3.6	17000	2.5	1050
	E*1P29B+H4TXV01	A80UH1E090B16*	14.5	12.5	29000	21500	8.5	26200	3.6	17000	2.5	1050
	E*1P29B+H4TXV01	A80UH2V090B16*	14.5	12.5	29000	21500	8.5	26200	3.6	17000	2.5	1050
	E*1P29B+H4TXV01	A80US2V090B16*	14.5	12.5	29000	21500	8.5	26200	3.6	17000	2.5	1050
	E*1P29B+H4TXV01	A96US2V070B12S	14.5	12.5	29000	21500	8.5	26200	3.6	17000	2.5	1050
	E*1P29B+H4TXV01	EFV12BC	14.5	12.5	29000	21500	8.5	26200	3.6	17000	2.5	1050
	E*1P29B+H4TXV01	L83B*1V84/95E14	14.5	12.5	29000	21500	8.2	26000	3.6	17000	2.5	1050
	E*1P29B+H4TXV01	L83UF1V57/72E12	14.5	12.5	29000	21500	8.2	26000	3.6	17000	2.5	1050
	E*1P29B+H4TXV01	L83UF1V84/95E14	14.5	12.5	29000	21500	8.2	26000	3.6	17000	2.5	1050
	E*1P29B+H4TXV01	L85UF1V67/87E14	14.5	12.5	28600	21500	8.2	26000	3.6	17000	2.5	1050
	E*1P29B+H4TXV01	A95UH1E070B12S	14	12	29000	21500	8.5	26200	3.6	17000	2.5	1050
E*1P29B+H4TXV01	L83HF1V84/95E12	14	12	28800	21500	8.2	26200	3.6	17000	2.5	1050	
E*1P29B+H4TXV01	L83HR1V84/95E12	14	12	28800	21500	8.2	26200	3.6	17000	2.5	1050	

Outdoor Model	Indoor Model		Cooling				Heating				CFM	
	Evap. Coil	Furnace	SEER	EER	AHRI Rated Capacity BTUH	Sensible Capacity BTUH	HSPF	47°		17°		
								Btuh	COP	Btuh		COP
4SHP15LE130P-1	E*1P30A+H4TXV01	A80UH2V070A12*	14.5	12.5	28000	21500	8.5	26200	3.6	15600	2.5	1050
	E*1P30A+H4TXV01	A80US2V070A12*	14.5	12.5	28000	21500	8.5	26200	3.6	15600	2.5	1050
	E*1P30B+H4TXV01	A80UH2V090B12*	15	12.5	28000	21500	8.5	26200	3.6	15500	2.5	1050
	E*1P30B+H4TXV01	A80US2V090B12*	15	12.5	28000	21500	8.5	26200	3.6	15500	2.5	1050
	E*1P30B+H4TXV01	A97USMV070B12*	14.5	12.5	28000	21500	8.5	26200	3.6	15600	2.5	1050
	E*1P30B+H4TXV01	A80UHIE090B16*	14	12	28000	21500	8.5	26200	3.6	15600	2.5	1050
	E*1P30B+H4TXV01	L83B*1V84/95E14	14	12	28000	21500	8.2	26000	3.6	15500	2.5	1050
	E*1P30B+H4TXV01	L83HR1V84/95E12	14	12	28000	21500	8.2	26000	3.6	15600	2.5	1050
	E*1P30B+H4TXV01	L83UF1V57/72E12	14	12	28000	21500	8.2	26000	3.6	15600	2.5	1050
	E*1P30B+H4TXV01	L83UF1V84/95E14	14	12	28000	21500	8.2	26000	3.6	15600	2.5	1050
	E*1P30C+H4TXV01	A80UH2V090C20*	15	12.5	28000	21500	8.5	26200	3.6	15500	2.5	1050
	E*1P30C+H4TXV01	A80US2V090C20*	15	12.5	28000	21500	8.5	26200	3.6	15500	2.5	1050
	E*1P30C+H4TXV01	A97USMV090C12*	15	12.5	28000	21500	8.5	26200	3.6	15600	2.5	1050
	E*1P30C+H4TXV01	A95UHIE090C16S	14.5	12	28000	21500	8.5	26200	3.6	15600	2.5	1050
	E*1P30C+H4TXV01	A96US2V090C12S	14.5	12.5	28000	21500	8.5	26200	3.6	15600	2.5	1050
	E*1P30C+H4TXV01	EFV16CC	14.5	12.5	28000	21500	8.5	26200	3.6	15600	2.5	1050
	E*1P30C+H4TXV01	L85B*1V67/87E14	14	12	28000	21500	8.2	26000	3.6	15600	2.5	1050
	E*1P30C+H4TXV01	L85UF1V67/87E14	14	12	28000	21500	8.2	26000	3.6	15600	2.5	1050
	E*1P36A+H4TXV01	A80UH2V070A12*	15	12.5	29000	21500	8.5	26200	3.6	17000	2.5	1050
	E*1P36A+H4TXV01	A80US2V070A12*	15	12.5	29000	21500	8.5	26200	3.6	17000	2.5	1050
	E*1P36B+H4TXV01	A80UH2V090B12*	15	12.5	29000	21500	8.5	26200	3.6	17000	2.5	1050
	E*1P36B+H4TXV01	A80US2V090B12*	15	12.5	29000	21500	8.5	26200	3.6	17000	2.5	1050
	E*1P36B+H4TXV01	A97USMV070B12*	15	12.5	29000	21500	8.5	26200	3.6	17000	2.5	1050
	E*1P36B+H4TXV01	A80UHIE070B12*	14.5	12.5	29000	21500	8.5	26200	3.6	17000	2.5	1050
	E*1P36B+H4TXV01	A80UH2V090B16*	14.5	12.5	29000	21500	8.5	26200	3.6	17000	2.5	1050
	E*1P36B+H4TXV01	A80US2V090B16*	14.5	12.5	29000	21500	8.5	26200	3.6	17000	2.5	1050
	E*1P36B+H4TXV01	A96US2V070B12S	14.5	12.5	29000	21500	8.5	26200	3.6	17000	2.5	1050
	E*1P36B+H4TXV01	EFV12BC	14.5	12.5	29000	21500	8.5	26200	3.6	17000	2.5	1050
	E*1P36B+H4TXV01	L83B*1V84/95E14	14.5	12.5	29000	21500	8.5	26200	3.6	17000	2.5	1050
	E*1P36B+H4TXV01	L83UF1V57/72E12	14.5	12.5	29000	21500	8.5	26200	3.6	17000	2.5	1050
	E*1P36B+H4TXV01	L83UF1V84/95E14	14.5	12.5	29000	21500	8.5	26200	3.6	17000	2.5	1050
	E*1P36B+H4TXV01	A80UHIE090B16*	14	12	29000	21500	8.5	26200	3.6	17000	2.5	1050
	E*1P36B+H4TXV01	A95UHIE070B12S	14	12	29000	21500	8.5	26200	3.6	17000	2.5	1050
	E*1P36B+H4TXV01	L83HF1V84/95E12	14	12	29000	21500	8.5	26200	3.6	17000	2.5	1050
	E*1P36B+H4TXV01	L83HR1V84/95E12	14	12	29000	21500	8.5	26200	3.6	17000	2.5	1050
	E*1P36C+H4TXV01	A80UH2V090C20*	15	12.5	29000	21500	8.5	26200	3.6	17000	2.5	1050
	E*1P36C+H4TXV01	A80US2V090C20*	15	12.5	29000	21500	8.5	26200	3.6	17000	2.5	1050
	E*1P36C+H4TXV01	A96US2V090C12S	15	12.5	29000	21500	8.5	26200	3.6	17000	2.5	1050
	E*1P36C+H4TXV01	A97USMV090C12*	15	12.5	29000	21500	8.5	26200	3.6	17000	2.5	1050
	E*1P36C+H4TXV01	A95UHIE090C16S	14.5	12.5	29000	21500	8.5	26200	3.6	17000	2.5	1050
	E*1P36C+H4TXV01	EFV16CC	14.5	12.5	29000	21500	8.5	26200	3.6	17000	2.5	1050
	E*1P36C+H4TXV01	L85UF1V67/87E14	14.5	12.5	28600	21500	8.5	26000	3.6	17000	2.5	1050
	E*1P36C+H4TXV01	L85B*1V67/87E14	14	12.5	28600	21500	8.5	26000	3.6	17000	2.5	1050
	EC4X24B	L85B*1V67/87E14	14	12	28600	21500	8.2	26000	3.6	17000	2.5	1050

Outdoor Model	Indoor Model		Cooling				Heating				CFM	
	Evap. Coil	Furnace	SEER	EER	AHRI Rated Capacity BTUH	Sensible Capacity BTUH	HSPF	47°		17°		
								Btuh	COP	Btuh		COP
4SHP15LE130P-1	EC4X29A	A80UH2V070A12*	15	12.5	29000	21500	8.5	26200	3.6	17000	2.5	1050
	EC4X29A	A80US2V070A12*	15	12.5	29000	21500	8.5	26200	3.6	17000	2.5	1050
	EC4X29A	A80UH1E045A12*	14	12	29000	21500	8.2	26200	3.6	17000	2.5	1050
	EC4X29B	A80UH2V090B12*	15	12.5	29000	21500	8.5	26200	3.6	17000	2.5	1050
	EC4X29B	A80US2V090B12*	15	12.5	29000	21500	8.5	26200	3.6	17000	2.5	1050
	EC4X29B	A97USMV070B12*	15	12.5	29000	21500	8.5	26200	3.6	17000	2.5	1050
	EC4X29B	A80UH1E070B12*	14.5	12.5	29000	21500	8.5	26200	3.6	17000	2.5	1050
	EC4X29B	A80UH1E090B16*	14.5	12.5	29000	21500	8.5	26200	3.6	17000	2.5	1050
	EC4X29B	A80UH2V090B16*	14.5	12.5	29000	21500	8.5	26200	3.6	17000	2.5	1050
	EC4X29B	A80US2V090B16*	14.5	12.5	29000	21500	8.5	26200	3.6	17000	2.5	1050
	EC4X29B	A96US2V070B12S	14.5	12.5	29000	21500	8.5	26200	3.6	17000	2.5	1050
	EC4X29B	EFV12BC	14.5	12.5	29000	21500	8.5	26200	3.6	17000	2.5	1050
	EC4X29B	L83B*1V84/95E14	14.5	12.5	29000	21500	8.2	26000	3.6	17000	2.5	1050
	EC4X29B	L83UF1V57/72E12	14.5	12.5	29000	21500	8.2	26000	3.6	17000	2.5	1050
	EC4X29B	L83UF1V84/95E14	14.5	12.5	29000	21500	8.2	26000	3.6	17000	2.5	1050
	EC4X29B	L85UF1V67/87E14	14.5	12.5	28600	21500	8.2	26000	3.6	17000	2.5	1050
	EC4X29B	A95UH1E070B12S	14	12	29000	21500	8.5	26200	3.6	17000	2.5	1050
	EC4X29B	L83HF1V84/95E12	14	12	28800	21500	8.2	26200	3.6	17000	2.5	1050
	EC4X29B	L83HR1V84/95E12	14	12	28800	21500	8.2	26200	3.6	17000	2.5	1050
	EC4X30A	A80UH2V070A12*	14.5	12.5	28000	21500	8.5	26200	3.6	15600	2.5	1050
	EC4X30A	A80US2V070A12*	14.5	12.5	28000	21500	8.5	26200	3.6	15600	2.5	1050
	EC4X30B	A80UH2V090B12*	15	12.5	28000	21500	8.5	26200	3.6	15500	2.5	1050
	EC4X30B	A80US2V090B12*	15	12.5	28000	21500	8.5	26200	3.6	15500	2.5	1050
	EC4X30B	A97USMV070B12*	14.5	12.5	28000	21500	8.5	26200	3.6	15600	2.5	1050
	EC4X30B	A80UH1E090B16*	14	12	28000	21500	8.5	26200	3.6	15600	2.5	1050
	EC4X30B	L83B*1V84/95E14	14	12	28000	21500	8.2	26000	3.6	15500	2.5	1050
	EC4X30B	L83HR1V84/95E12	14	12	28000	21500	8.2	26000	3.6	15600	2.5	1050
	EC4X30B	L83UF1V57/72E12	14	12	28000	21500	8.2	26000	3.6	15600	2.5	1050
	EC4X30B	L83UF1V84/95E14	14	12	28000	21500	8.2	26000	3.6	15600	2.5	1050
	EC4X30C	A80UH2V090C20*	15	12.5	28000	21500	8.5	26200	3.6	15500	2.5	1050
	EC4X30C	A80US2V090C20*	15	12.5	28000	21500	8.5	26200	3.6	15500	2.5	1050
	EC4X30C	A97USMV090C12*	15	12.5	28000	21500	8.5	26200	3.6	15600	2.5	1050
	EC4X30C	A95UH1E090C16S	14.5	12	28000	21500	8.5	26200	3.6	15600	2.5	1050
	EC4X30C	A96US2V090C12S	14.5	12.5	28000	21500	8.5	26200	3.6	15600	2.5	1050
	EC4X30C	EFV16CC	14.5	12.5	28000	21500	8.5	26200	3.6	15600	2.5	1050
	EC4X30C	L85B*1V67/87E14	14	12	28000	21500	8.2	26000	3.6	15600	2.5	1050
	EC4X30C	L85UF1V67/87E14	14	12	28000	21500	8.2	26000	3.6	15600	2.5	1050
	EC4X36A	A80UH2V070A12*	15	12.5	29000	21500	8.5	26200	3.6	17000	2.5	1050
	EC4X36A	A80US2V070A12*	15	12.5	29000	21500	8.5	26200	3.6	17000	2.5	1050
	EC4X36B	A80UH2V090B12*	15	12.5	29000	21500	8.5	26200	3.6	17000	2.5	1050
EC4X36B	A80US2V090B12*	15	12.5	29000	21500	8.5	26200	3.6	17000	2.5	1050	
EC4X36B	A97USMV070B12*	15	12.5	29000	21500	8.5	26200	3.6	17000	2.5	1050	
EC4X36B	A80UH1E070B12*	14.5	12.5	29000	21500	8.5	26200	3.6	17000	2.5	1050	
EC4X36B	A80UH2V090B16*	14.5	12.5	29000	21500	8.5	26200	3.6	17000	2.5	1050	

Outdoor Model	Indoor Model		Cooling					Heating				CFM
	Evap. Coil	Furnace	SEER	EER	AHRI Rated Capacity BTUH	Sensible Capacity BTUH	HSPF	47°		17°		
								Btuh	COP	Btuh	COP	
4SHPI5LE130P-1	EC4X36B	A80US2V090B16*	14.5	12.5	29000	21500	8.5	26200	3.6	17000	2.5	1050
	EC4X36B	A96US2V070B12S	14.5	12.5	29000	21500	8.5	26200	3.6	17000	2.5	1050
	EC4X36B	EFV12BC	14.5	12.5	29000	21500	8.5	26200	3.6	17000	2.5	1050
	EC4X36B	L83B*1V84/95E14	14.5	12.5	29000	21500	8.5	26200	3.6	17000	2.5	1050
	EC4X36B	L83UF1V57/72E12	14.5	12.5	29000	21500	8.5	26200	3.6	17000	2.5	1050
	EC4X36B	L83UF1V84/95E14	14.5	12.5	29000	21500	8.5	26200	3.6	17000	2.5	1050
	EC4X36B	A80UH1E090B16*	14	12	29000	21500	8.5	26200	3.6	17000	2.5	1050
	EC4X36B	A95UH1E070B12S	14	12	29000	21500	8.5	26200	3.6	17000	2.5	1050
	EC4X36B	L83HF1V84/95E12	14	12	29000	21500	8.5	26200	3.6	17000	2.5	1050
	EC4X36B	L83HR1V84/95E12	14	12	29000	21500	8.5	26200	3.6	17000	2.5	1050
	EC4X36C	A80UH2V090C20*	15	12.5	29000	21500	8.5	26200	3.6	17000	2.5	1050
	EC4X36C	A80US2V090C20*	15	12.5	29000	21500	8.5	26200	3.6	17000	2.5	1050
	EC4X36C	A96US2V090C12S	15	12.5	29000	21500	8.5	26200	3.6	17000	2.5	1050
	EC4X36C	A97USMV090C12*	15	12.5	29000	21500	8.5	26200	3.6	17000	2.5	1050
	EC4X36C	A95UH1E090C16S	14.5	12.5	29000	21500	8.5	26200	3.6	17000	2.5	1050
	EC4X36C	EFV16CC	14.5	12.5	29000	21500	8.5	26200	3.6	17000	2.5	1050
	EC4X36C	L85UF1V67/87E14	14.5	12.5	28600	21500	8.5	26000	3.6	17000	2.5	1050
	EC4X36C	L85B*1V67/87E14	14	12.5	28600	21500	8.5	26000	3.6	17000	2.5	1050
	ED1P30/36A+H4TXV01	A80DF1E045A12	15	12.5	29000	21500	8.7	27000	3.6	17300	2.5	1045
	ED1P30/36A+H4TXV01	A80DS2V070A12	15	12.5	29000	21500	8.7	26800	3.6	17200	2.5	1010
	ED1P30/36B+H4TXV01	A80DF1E070B12	15	12.5	29000	21500	9	26800	3.6	17100	2.5	1000
	ED1P30/36B+H4TXV01	A80DF1E090B16	15	12.5	29000	21500	9	26800	3.6	17100	2.5	1005
	ED1P30/36B+H4TXV01	A80DS2V090B16	15	12.5	29000	21500	8.7	26800	3.6	17100	2.5	990
	ED1P30/36B+H4TXV01	A95DF1E045B12	15	12.5	29000	21500	8.7	27000	3.6	17300	2.5	1025
	ED1P30/36B+H4TXV01	A95DF1E070B16	15	12.5	29000	21500	9	27000	3.6	17300	2.5	1070
	ED1P30/36B+H4TXV01	A96DF2E045B12	15	12.5	29000	21500	8.7	27000	3.6	17300	2.5	1025
	ED1P30/36B+H4TXV01	A96DF2E070B16	15	12.5	29000	21500	9	27000	3.6	17300	2.5	1070
	ED1P30/36B+H4TXV01	A96DS2V045B12	15	12.5	29000	21500	8.7	26800	3.6	17100	2.5	965
	ED1P30/36B+H4TXV01	A96DS2V070B16	15	12.5	29000	21500	8.7	26800	3.6	17200	2.5	995
	ED1P30/36B+H4TXV01	A97DSMV070B12	15	12.5	29000	21500	8.7	26800	3.6	17200	2.5	985
ED1P30/36C+H4TXV01	A95DF1E090C16	15	12.5	29000	21500	8.7	26800	3.6	17100	2.5	985	
ED1P30/36C+H4TXV01	A96DF2E090C16	15	12.5	29000	21500	8.7	26800	3.6	17100	2.5	985	
ED1P30/36C+H4TXV01	A97DSMV090C16	15	12.5	29000	21500	8.7	26800	3.6	17100	2.5	1000	
4SHPI5LE136P-1	BCE3M36E****4X		15	12.5	34000	26000	8.5	33800	3.6	21800	2.5	1250
	BCE3M42E****4X		15	12	34000	26000	8.2	33800	3.6	21800	2.5	1200
	BCE4M48S*		15	13	34000	26000	8.5	33000	3.6	20800	2.5	1250
	BCE4M36S*		14.7	12.2	34000	26000	8.5	33000	3.6	20800	2.5	1250
	BCE3M36V****4X		14.5	12	34000	26000	8.2	33000	3.6	21000	2.5	1200
	BC*3M36C****P+H4TXV02		14	12	34000	26000	8.2	33800	3.6	21800	2.5	1250
	BCE3M36C****4X		14	12	34000	26000	8.2	33800	3.6	21800	2.5	1250
	BCE3M36C****P+TXV		14	12	34000	26000	8.2	33800	3.6	21800	2.5	1250
	E*1P36A+H4TXV02	A80UH2V070A12*	14.5	12.5	34000	26000	8.2	33800	3.6	21200	2.5	1250
	E*1P36A+H4TXV02	A80US2V070A12*	14.5	12.5	34000	26000	8.2	33800	3.6	21200	2.5	1250
	E*1P36B+H4TXV02	A80UH1E090B16*	14.5	12.5	34000	26000	8.5	33800	3.6	21200	2.5	1250

Outdoor Model	Indoor Model		Cooling				Heating				CFM	
	Evap. Coil	Furnace	SEER	EER	AHRI Rated Capacity BTUH	Sensible Capacity BTUH	HSPF	47°		17°		
								Btuh	COP	Btuh		COP
4SHP15LE136P-1	E*1P36B+H4TXV02	A80UH2V090B12*	14.5	12.5	34000	26000	8.2	33800	3.6	21200	2.5	1250
	E*1P36B+H4TXV02	A80US2V090B12*	14.5	12.5	34000	26000	8.2	33800	3.6	21200	2.5	1250
	E*1P36B+H4TXV02	EFV12BC	14.5	12.5	34000	26000	8.5	33800	3.6	21200	2.5	1250
	E*1P36B+H4TXV02	L83B*1V112/125F20	14	12	34000	26000	8.2	33800	3.6	21200	2.5	1250
	E*1P36B+H4TXV02	L83UF1V112/125F20	14	12	34000	26000	8.2	33800	3.6	21200	2.5	1250
	E*1P36C+H4TXV02	EFV16CC	15	12.5	34000	26000	8.5	33800	3.6	21000	2.5	1250
	E*1P36C+H4TXV02	A80UH2V090C20*	14.5	12.5	34000	26000	8.5	33800	3.6	21200	2.5	1250
	E*1P36C+H4TXV02	A80UH2V110C20*	14.5	12.5	34000	26000	8.5	33800	3.6	21200	2.5	1250
	E*1P36C+H4TXV02	A80US2V090C20*	14.5	12.5	34000	26000	8.5	33800	3.6	21200	2.5	1250
	E*1P36C+H4TXV02	A80US2V110C20*	14.5	12.5	34000	26000	8.5	33800	3.6	21200	2.5	1250
	E*1P36C+H4TXV02	A96US2V090C12S	14.5	12.5	34000	26000	8.2	33800	3.6	21200	2.5	1250
	E*1P36C+H4TXV02	A96US2V090C16S	14.5	12.5	34000	26000	8.5	33800	3.6	21200	2.5	1250
	E*1P36C+H4TXV02	A96US2V090C20S	14.5	12.5	34000	26000	8.5	33800	3.6	21200	2.5	1250
	E*1P36C+H4TXV02	A96US2V110C16S	14.5	12.5	34000	26000	8.5	33800	3.6	21200	2.5	1250
	E*1P36C+H4TXV02	A96US2V110C20S	14.5	12.5	34000	26000	8.5	33800	3.6	21200	2.5	1250
	E*1P36C+H4TXV02	A97USMV090C12*	14.5	12.5	34000	26000	8.2	33800	3.6	21200	2.5	1250
	E*1P36C+H4TXV02	A97USMV090C16*	14.5	12.5	34000	26000	8.5	33800	3.6	21200	2.5	1250
	E*1P36C+H4TXV02	A97USMV110C20*	14.5	12.5	34000	26000	8.2	33800	3.6	21200	2.5	1250
	E*1P36C+H4TXV02	L85B*1V104/118F20	14.5	12.5	34000	26000	8.2	33800	3.6	21200	2.5	1250
	E*1P36C+H4TXV02	A80UH1E090C20*	14	12	34000	26000	8.5	33800	3.6	21200	2.5	1275
	E*1P36C+H4TXV02	A80UH1E110C20*	14	12	34000	26000	8.5	33800	3.6	21200	2.5	1275
	E*1P36C+H4TXV02	A95UH1E110C20S	14	12	34000	26000	8.5	33800	3.6	21200	2.5	1275
	E*1P43B+H4TXV02	A80UH1E090B16*	14.5	12.5	34000	26000	8.5	33800	3.6	21800	2.5	1250
	E*1P43B+H4TXV02	A80UH2V090B12*	14.5	12.5	34000	26000	8.5	33800	3.6	21800	2.5	1250
	E*1P43B+H4TXV02	A80US2V090B12*	14.5	12.5	34000	26000	8.5	33800	3.6	21800	2.5	1250
	E*1P43B+H4TXV02	EFV12BC	14.5	12.5	34000	26000	8.5	33800	3.6	21800	2.5	1250
	E*1P43B+H4TXV02	L83B*1V112/125F20	14	12	34000	26000	8.2	33800	3.6	21800	2.5	1250
	E*1P43B+H4TXV02	L83UF1V112/125F20	14	12	34000	26000	8.2	33800	3.6	21800	2.5	1250
	E*1P43C+H4TXV02	EFV16CC	15	12.5	34000	26000	8.5	33800	3.6	21800	2.5	1250
	E*1P43C+H4TXV02	A80UH1E090C20*	14.5	12.5	34000	26000	8.5	33800	3.6	21800	2.5	1275
	E*1P43C+H4TXV02	A80UH1E110C20*	14.5	12.5	34000	26000	8.5	33800	3.6	21800	2.5	1275
	E*1P43C+H4TXV02	A80UH2V090C20*	14.5	12.5	34000	26000	8.5	33800	3.6	21800	2.5	1250
	E*1P43C+H4TXV02	A80UH2V110C20*	14.5	12.5	34000	26000	8.5	33800	3.6	21800	2.5	1250
	E*1P43C+H4TXV02	A80US2V090C20*	14.5	12.5	34000	26000	8.5	33800	3.6	21800	2.5	1250
	E*1P43C+H4TXV02	A80US2V110C20*	14.5	12.5	34000	26000	8.5	33800	3.6	21800	2.5	1250
	E*1P43C+H4TXV02	A96US2V090C12S	14.5	12.5	34000	26000	8.5	33800	3.6	21800	2.5	1250
	E*1P43C+H4TXV02	A96US2V090C16S	14.5	12.5	34000	26000	8.5	33800	3.6	21800	2.5	1250
	E*1P43C+H4TXV02	A96US2V090C20S	14.5	12.5	34000	26000	8.5	33800	3.6	21800	2.5	1250
	E*1P43C+H4TXV02	A96US2V110C16S	14.5	12.5	34000	26000	8.5	33800	3.6	21800	2.5	1250
	E*1P43C+H4TXV02	A96US2V110C20S	14.5	12.5	34000	26000	8.5	33800	3.6	21800	2.5	1250
E*1P43C+H4TXV02	A97USMV090C12*	14.5	12.5	34000	26000	8.5	33800	3.6	21800	2.5	1250	
E*1P43C+H4TXV02	A97USMV090C16*	14.5	12.5	34000	26000	8.5	33800	3.6	21800	2.5	1250	
E*1P43C+H4TXV02	A97USMV110C20*	14.5	12.5	34000	26000	8.5	33800	3.6	21800	2.5	1250	
E*1P43C+H4TXV02	A95UH1E110C20S	14	12	34000	26000	8.5	33800	3.6	21800	2.5	1250	

Outdoor Model	Indoor Model		Cooling				Heating				CFM	
	Evap. Coil	Furnace	SEER	EER	AHRI Rated Capacity BTUH	Sensible Capacity BTUH	HSPF	47°		17°		
								Btuh	COP	Btuh		COP
4SHP15LE136P-1	E*1P43C+H4TXV02	L85B*1V104/118F20	14	12	34600	26000	8.2	33800	3.6	21800	2.5	1275
	EC4X36A	A80UH2V070A12*	14.5	12.5	34000	26000	8.2	33800	3.6	21200	2.5	1250
	EC4X36A	A80US2V070A12*	14.5	12.5	34000	26000	8.2	33800	3.6	21200	2.5	1250
	EC4X36B	A80UH1E090B16*	14.5	12.5	34000	26000	8.5	33800	3.6	21200	2.5	1250
	EC4X36B	A80UH2V090B12*	14.5	12.5	34000	26000	8.2	33800	3.6	21200	2.5	1250
	EC4X36B	A80US2V090B12*	14.5	12.5	34000	26000	8.2	33800	3.6	21200	2.5	1250
	EC4X36B	EFV12BC	14.5	12.5	34000	26000	8.5	33800	3.6	21200	2.5	1250
	EC4X36B	L83B*1V112/125F20	14	12	34000	26000	8.2	33800	3.6	21200	2.5	1250
	EC4X36B	L83UF1V112/125F20	14	12	34000	26000	8.2	33800	3.6	21200	2.5	1250
	EC4X36C	EFV16CC	15	12.5	34000	26000	8.5	33800	3.6	21000	2.5	1250
	EC4X36C	A80UH2V090C20*	14.5	12.5	34000	26000	8.5	33800	3.6	21200	2.5	1250
	EC4X36C	A80UH2V110C20*	14.5	12.5	34000	26000	8.5	33800	3.6	21200	2.5	1250
	EC4X36C	A80US2V090C20*	14.5	12.5	34000	26000	8.5	33800	3.6	21200	2.5	1250
	EC4X36C	A80US2V110C20*	14.5	12.5	34000	26000	8.5	33800	3.6	21200	2.5	1250
	EC4X36C	A96US2V090C12S	14.5	12.5	34000	26000	8.2	33800	3.6	21200	2.5	1250
	EC4X36C	A96US2V090C16S	14.5	12.5	34000	26000	8.5	33800	3.6	21200	2.5	1250
	EC4X36C	A96US2V090C20S	14.5	12.5	34000	26000	8.5	33800	3.6	21200	2.5	1250
	EC4X36C	A96US2V110C16S	14.5	12.5	34000	26000	8.5	33800	3.6	21200	2.5	1250
	EC4X36C	A96US2V110C20S	14.5	12.5	34000	26000	8.5	33800	3.6	21200	2.5	1250
	EC4X36C	A97USMV090C12*	14.5	12.5	34000	26000	8.2	33800	3.6	21200	2.5	1250
	EC4X36C	A97USMV090C16*	14.5	12.5	34000	26000	8.5	33800	3.6	21200	2.5	1250
	EC4X36C	A97USMV110C20*	14.5	12.5	34000	26000	8.2	33800	3.6	21200	2.5	1250
	EC4X36C	L85B*1V104/118F20	14.5	12.5	34000	26000	8.2	33800	3.6	21200	2.5	1250
	EC4X36C	A80UH1E090C20*	14	12	34000	26000	8.5	33800	3.6	21200	2.5	1275
	EC4X36C	A80UH1E110C20*	14	12	34000	26000	8.5	33800	3.6	21200	2.5	1275
	EC4X36C	A95UH1E110C20S	14	12	34000	26000	8.5	33800	3.6	21200	2.5	1275
	EC4X43B	A80UH1E090B16*	14.5	12.5	34000	26000	8.5	33800	3.6	21800	2.5	1250
	EC4X43B	A80UH2V090B12*	14.5	12.5	34000	26000	8.5	33800	3.6	21800	2.5	1250
	EC4X43B	A80US2V090B12*	14.5	12.5	34000	26000	8.5	33800	3.6	21800	2.5	1250
	EC4X43B	EFV12BC	14.5	12.5	34000	26000	8.5	33800	3.6	21800	2.5	1250
	EC4X43B	L83B*1V112/125F20	14	12	34000	26000	8.2	33800	3.6	21800	2.5	1250
	EC4X43B	L83UF1V112/125F20	14	12	34000	26000	8.2	33800	3.6	21800	2.5	1250
	EC4X43C	EFV16CC	15	12.5	34000	26000	8.5	33800	3.6	21800	2.5	1250
	EC4X43C	A80UH1E090C20*	14.5	12.5	34000	26000	8.5	33800	3.6	21800	2.5	1275
	EC4X43C	A80UH1E110C20*	14.5	12.5	34000	26000	8.5	33800	3.6	21800	2.5	1275
	EC4X43C	A80UH2V090C20*	14.5	12.5	34000	26000	8.5	33800	3.6	21800	2.5	1250
	EC4X43C	A80UH2V110C20*	14.5	12.5	34000	26000	8.5	33800	3.6	21800	2.5	1250
	EC4X43C	A80US2V090C20*	14.5	12.5	34000	26000	8.5	33800	3.6	21800	2.5	1250
	EC4X43C	A80US2V110C20*	14.5	12.5	34000	26000	8.5	33800	3.6	21800	2.5	1250
	EC4X43C	A96US2V090C12S	14.5	12.5	34000	26000	8.5	33800	3.6	21800	2.5	1250
EC4X43C	A96US2V090C16S	14.5	12.5	34000	26000	8.5	33800	3.6	21800	2.5	1250	
EC4X43C	A96US2V090C20S	14.5	12.5	34000	26000	8.5	33800	3.6	21800	2.5	1250	
EC4X43C	A96US2V110C16S	14.5	12.5	34000	26000	8.5	33800	3.6	21800	2.5	1250	
EC4X43C	A96US2V110C20S	14.5	12.5	34000	26000	8.5	33800	3.6	21800	2.5	1250	

Outdoor Model	Indoor Model		Cooling				Heating				CFM	
	Evap. Coil	Furnace	SEER	EER	AHRI Rated Capacity BTUH	Sensible Capacity BTUH	HSPF	47°		17°		
								Btuh	COP	Btuh		COP
4SHP15LE136P-1	EC4X43C	A97USMV090C12*	14.5	12.5	34000	26000	8.5	33800	3.6	21800	2.5	1250
	EC4X43C	A97USMV090C16*	14.5	12.5	34000	26000	8.5	33800	3.6	21800	2.5	1250
	EC4X43C	A97USMV110C20*	14.5	12.5	34000	26000	8.5	33800	3.6	21800	2.5	1250
	EC4X43C	A95UH1E110C20S	14	12	34000	26000	8.5	33800	3.6	21800	2.5	1250
	EC4X43C	L85B*1V104/118F20	14	12	34600	26000	8.2	33800	3.6	21800	2.5	1275
	ED1P48B+H4TXV02	A80DF1E070B12	15	12.5	34000	26000	8.5	33200	3.6	20800	2.5	1155
	ED1P48B+H4TXV02	A80DF1E090B16	15	12.5	34000	26000	8.5	33400	3.6	21000	2.5	1185
	ED1P48B+H4TXV02	A80DS2V090B16	15	12.5	34000	26000	8.5	33400	3.6	21000	2.5	1200
	ED1P48B+H4TXV02	A95DF1E045B12	15	12.5	34000	26000	8.2	33400	3.6	21200	2.5	1150
	ED1P48B+H4TXV02	A95DF1E070B16	15	12.5	34000	26000	8.5	33400	3.6	21000	2.5	1185
	ED1P48B+H4TXV02	A96DF2E045B12	15	12.5	34000	26000	8.2	33400	3.6	21200	2.5	1150
	ED1P48B+H4TXV02	A96DF2E070B16	15	12.5	34000	26000	8.5	33400	3.6	21000	2.5	1185
	ED1P48B+H4TXV02	A96DS2V045B12	15	12.5	34000	26000	8.2	33600	3.6	21200	2.5	1210
	ED1P48B+H4TXV02	A96DS2V070B16	15	12.5	34000	26000	8.2	33800	3.6	21200	2.5	1230
	ED1P48B+H4TXV02	A97DSMV070B12	15	12.5	34000	26000	8.5	33600	3.6	21200	2.5	1230
	ED1P48C+H4TXV02	A80DF1E110C20	15	12.5	34000	26000	8.7	33400	3.6	21000	2.5	1265
	ED1P48C+H4TXV02	A80DS2V110C20	15	12.5	34000	26000	8.5	33400	3.6	21000	2.5	1225
	ED1P48C+H4TXV02	A95DF1E090C16	15	12.5	34000	26000	8.5	33400	3.6	21000	2.5	1185
	ED1P48C+H4TXV02	A95DF1E110C20	15	12.5	34000	26000	8.5	33600	3.6	21000	2.5	1255
	ED1P48C+H4TXV02	A96DF2E090C16	15	12.5	34000	26000	8.5	33400	3.6	21000	2.5	1185
	ED1P48C+H4TXV02	A96DF2E110C20	15	12.5	34000	26000	8.5	33600	3.6	21000	2.5	1255
	ED1P48C+H4TXV02	A96DS2V090C20	15	12.5	34000	26000	8.5	33600	3.6	21000	2.5	1265
	ED1P48C+H4TXV02	A96DS2V110C20	15	12.5	34000	26000	8.5	33600	3.6	21200	2.5	1270
	ED1P48C+H4TXV02	A97DSMV090C16	15	12.5	34000	26000	8.5	33400	3.6	21000	2.5	1220
	ED1P48C+H4TXV02	A97DSMV090C20	15	12.5	34000	26000	8.5	33600	3.6	21000	2.5	1265
	ED1P48C+H4TXV02	A97DSMV110C20	15	12.5	34000	26000	8.5	33600	3.6	21200	2.5	1270
	ED1P50/60C+H4TXV02	A80DF1E110C20	16	13	34000	26000	9	32800	3.6	20400	2.5	1265
	ED1P50/60C+H4TXV02	A80DS2V110C20	15	12.5	34000	26000	8.5	33800	3.6	21000	2.5	1225
	ED1P50/60C+H4TXV02	A95DF1E090C16	15	12.5	34000	26000	8.7	32800	3.6	20600	2.5	1185
	ED1P50/60C+H4TXV02	A95DF1E110C20	15	12.5	34000	26000	9	32800	3.6	20600	2.5	1255
	ED1P50/60C+H4TXV02	A96DF2E090C16	15	12.5	34000	26000	8.7	32800	3.6	20600	2.5	1185
	ED1P50/60C+H4TXV02	A96DF2E110C20	15	12.5	34000	26000	9	32800	3.6	20600	2.5	1255
	ED1P50/60C+H4TXV02	A96DS2V090C20	15	12.5	34000	26000	9	34000	3.6	21200	2.5	1265
	ED1P50/60C+H4TXV02	A96DS2V110C20	15	12.5	34000	26000	9	34000	3.6	21200	2.5	1270
	ED1P50/60C+H4TXV02	A97DSMV090C16	15	12.5	34000	26000	8.7	33800	3.6	21200	2.5	1220
	ED1P50/60C+H4TXV02	A97DSMV090C20	15	12.5	34000	26000	9	34000	3.6	21200	2.5	1265
ED1P50/60C+H4TXV02	A97DSMV110C20	15	12.5	34000	26000	9	34000	3.6	21200	2.5	1270	
4SHP15LE142P-1	BCE3M42E****4X		15	12.5	41000	30700	8.5	40000	3.6	28800	2.4	1400
	BCE4M48S*		15	13	42000	30700	8.5	40000	3.6	26000	2.4	1400
	BCE3M42V****4X		14.5	12	41000	30700	8.2	40000	3.6	28000	2.4	1450
	BCE3M42C****4X		14	12	41000	30700	8.2	40000	3.6	28800	2.4	1400
	BCE3M42C****P+TXV		14	12	41000	30700	8.2	40000	3.6	28800	2.4	1400
	E*1P49C+H4TXV02	A80UH1E090C20*	15	12.5	41000	30700	8.5	40000	3.6	27200	2.4	1400
	E*1P49C+H4TXV02	A80UH1E110C20*	15	12.5	41000	30700	8.5	40000	3.6	27200	2.4	1400



Outdoor Model	Indoor Model		Cooling				Heating				CFM	
	Evap. Coil	Furnace	SEER	EER	AHRI Rated Capacity BTUH	Sensible Capacity BTUH	HSPF	47°		17°		
								Btuh	COP	Btuh		COP
4SHP15LE142P-1	E*1P49C+H4TXV02	A80UH2V090C20*	15	12.5	41000	30700	8.5	40000	3.6	27200	2.4	1400
	E*1P49C+H4TXV02	A80UH2V110C20*	15	12.5	41000	30700	8.5	40000	3.6	27200	2.4	1400
	E*1P49C+H4TXV02	A80US2V090C20*	15	12.5	41000	30700	8.5	40000	3.6	27200	2.4	1400
	E*1P49C+H4TXV02	A80US2V110C20*	15	12.5	41000	30700	8.5	40000	3.6	27200	2.4	1400
	E*1P49C+H4TXV02	A95UH1E110C20S	15	12.5	41000	30700	8.5	40000	3.6	27200	2.4	1400
	E*1P49C+H4TXV02	A95UH2E090C16S	15	12.5	41000	30700	8.2	40000	3.6	27200	2.4	1400
	E*1P49C+H4TXV02	A95UH2E110C20S	15	12.5	41000	30700	8.2	40000	3.6	27200	2.4	1400
	E*1P49C+H4TXV02	A96UH2E090C16S	15	12.5	41000	30700	8.2	40000	3.6	27200	2.4	1400
	E*1P49C+H4TXV02	A96UH2E110C20S	15	12.5	41000	30700	8.2	40000	3.6	27200	2.4	1400
	E*1P49C+H4TXV02	A96US2V090C16S	15	12.5	41000	30700	8.5	40000	3.6	27200	2.4	1400
	E*1P49C+H4TXV02	A96US2V090C20S	15	12.5	41000	30700	8.5	40000	3.6	27200	2.4	1400
	E*1P49C+H4TXV02	A96US2V110C16S	15	12.5	41000	30700	8.5	40000	3.6	27200	2.4	1400
	E*1P49C+H4TXV02	A96US2V110C20S	15	12.5	41000	30700	8.5	40000	3.6	27200	2.4	1400
	E*1P49C+H4TXV02	A97USMV090C16*	15	12.5	41000	30700	8.5	40000	3.6	27200	2.4	1400
	E*1P49C+H4TXV02	A97USMV090C20*	15	12.5	41000	30700	8.5	40000	3.6	27200	2.4	1400
	E*1P49C+H4TXV02	A97USMV110C20*	15	12.5	41000	30700	8.5	40000	3.6	27200	2.4	1400
	E*1P49C+H4TXV02	A95UH1E090C16S	14.5	12.5	41000	30700	8.2	40000	3.6	27200	2.4	1400
	E*1P49C+H4TXV02	EFV16CC	14.5	12.5	41000	30700	8.5	40000	3.6	27200	2.4	1400
	E*1P49C+H4TXV02	L83B*1V112/125F20	14	12	42000	30700	8.2	42000	3.6	27200	2.4	1400
	E*1P49C+H4TXV02	L83B*1V84/95E14	14	12	42000	30700	8.2	42000	3.6	27200	2.4	1400
	E*1P49C+H4TXV02	L83UF1V112/125F20	14	12	42000	30700	8.2	42000	3.6	27200	2.4	1400
	E*1P49C+H4TXV02	L83UF1V84/95E14	14	12	42000	30700	8.2	42000	3.6	27200	2.4	1400
	E*1P49C+H4TXV02	L85B*1V104/118F20	14	12	41000	30700	8.2	40000	3.6	27200	2.4	1400
	E*1P49C+H4TXV02	L85B*1V67/87E14	14	12	41000	30700	8.2	40000	3.6	27200	2.4	1400
	E*1P49C+H4TXV02	L85UF1V104/118F14	14	12	41000	30700	8.2	40000	3.6	27200	2.4	1400
	E*1P49C+H4TXV02	L85UF1V67/87E14	14	12	41000	30700	8.2	40000	3.6	27200	2.4	1400
	E*1P62D+H4TXV02	A80UH1E135D20*	15	12.5	41000	30700	8.2	40000	3.6	28000	2.4	1400
	E*1P62D+H4TXV02	A80UH2V135D20*	15	12.5	41000	30700	8.5	40000	3.6	28000	2.4	1400
	E*1P62D+H4TXV02	A80US2V135D20*	15	12.5	41000	30700	8.5	40000	3.6	28000	2.4	1400
	E*1P62D+H4TXV02	A95UH1E135D20S	15	12.5	41000	30700	8.5	40000	3.6	28000	2.4	1400
	E*1P62D+H4TXV02	A96US2V135D20S	15	12.5	41000	30700	8.5	40000	3.6	28000	2.4	1400
	E*1P62D+H4TXV02	A97USMV135D20*	15	12.5	41000	30700	8.5	40000	3.6	28000	2.4	1400
	E*1P62D+H4TXV02	EFV20DC	15	12.5	41000	30700	8.2	40000	3.6	28000	2.4	1400
	EC4X49C	A80UH1E090C20*	15	12.5	41000	30700	8.5	40000	3.6	27200	2.4	1400
	EC4X49C	A80UH1E110C20*	15	12.5	41000	30700	8.5	40000	3.6	27200	2.4	1400
	EC4X49C	A80UH2V090C20*	15	12.5	41000	30700	8.5	40000	3.6	27200	2.4	1400
	EC4X49C	A80UH2V110C20*	15	12.5	41000	30700	8.5	40000	3.6	27200	2.4	1400
	EC4X49C	A80US2V090C20*	15	12.5	41000	30700	8.5	40000	3.6	27200	2.4	1400
	EC4X49C	A80US2V110C20*	15	12.5	41000	30700	8.5	40000	3.6	27200	2.4	1400
	EC4X49C	A95UH1E110C20S	15	12.5	41000	30700	8.5	40000	3.6	27200	2.4	1400
	EC4X49C	A95UH2E090C16S	15	12.5	41000	30700	8.2	40000	3.6	27200	2.4	1400
	EC4X49C	A95UH2E110C20S	15	12.5	41000	30700	8.2	40000	3.6	27200	2.4	1400
EC4X49C	A96UH2E090C16S	15	12.5	41000	30700	8.2	40000	3.6	27200	2.4	1400	
EC4X49C	A96UH2E110C20S	15	12.5	41000	30700	8.2	40000	3.6	27200	2.4	1400	

Outdoor Model	Indoor Model		Cooling					Heating				CFM
	Evap. Coil	Furnace	SEER	EER	AHRI Rated Capacity BTUH	Sensible Capacity BTUH	HSPF	47°		17°		
								Btuh	COP	Btuh	COP	
4SHP15LE142P-1	EC4X49C	A96US2V090C16S	15	12.5	41000	30700	8.5	40000	3.6	27200	2.4	1400
	EC4X49C	A96US2V090C20S	15	12.5	41000	30700	8.5	40000	3.6	27200	2.4	1400
	EC4X49C	A96US2V110C16S	15	12.5	41000	30700	8.5	40000	3.6	27200	2.4	1400
	EC4X49C	A96US2V110C20S	15	12.5	41000	30700	8.5	40000	3.6	27200	2.4	1400
	EC4X49C	A97USMV090C16*	15	12.5	41000	30700	8.5	40000	3.6	27200	2.4	1400
	EC4X49C	A97USMV090C20*	15	12.5	41000	30700	8.5	40000	3.6	27200	2.4	1400
	EC4X49C	A97USMV110C20*	15	12.5	41000	30700	8.5	40000	3.6	27200	2.4	1400
	EC4X49C	A95UHE090C16S	14.5	12.5	41000	30700	8.2	40000	3.6	27200	2.4	1400
	EC4X49C	EFV16CC	14.5	12.5	41000	30700	8.5	40000	3.6	27200	2.4	1400
	EC4X49C	L83B*1V112/125F20	14	12	42000	30700	8.2	42000	3.6	27200	2.4	1400
	EC4X49C	L83B*1V84/95E14	14	12	42000	30700	8.2	42000	3.6	27200	2.4	1400
	EC4X49C	L83UF1V112/125F20	14	12	42000	30700	8.2	42000	3.6	27200	2.4	1400
	EC4X49C	L83UF1V84/95E14	14	12	42000	30700	8.2	42000	3.6	27200	2.4	1400
	EC4X49C	L85B*1V104/118F20	14	12	41000	30700	8.2	40000	3.6	27200	2.4	1400
	EC4X49C	L85B*1V67/87E14	14	12	41000	30700	8.2	40000	3.6	27200	2.4	1400
	EC4X49C	L85UF1V104/118F14	14	12	41000	30700	8.2	40000	3.6	27200	2.4	1400
	EC4X49C	L85UF1V67/87E14	14	12	41000	30700	8.2	40000	3.6	27200	2.4	1400
	EC4X62D	A80UH1E135D20*	15	12.5	41000	30700	8.2	40000	3.6	28000	2.4	1400
	EC4X62D	A80UH2V135D20*	15	12.5	41000	30700	8.5	40000	3.6	28000	2.4	1400
	EC4X62D	A80US2V135D20*	15	12.5	41000	30700	8.5	40000	3.6	28000	2.4	1400
	EC4X62D	A95UH1E135D20S	15	12.5	41000	30700	8.5	40000	3.6	28000	2.4	1400
	EC4X62D	A96US2V135D20S	15	12.5	41000	30700	8.5	40000	3.6	28000	2.4	1400
	EC4X62D	A97USMV135D20*	15	12.5	41000	30700	8.5	40000	3.6	28000	2.4	1400
	EC4X62D	EFV20DC	15	12.5	41000	30700	8.2	40000	3.6	28000	2.4	1400
	ED1P50/60C+H4TXV02	A80DF1E110C20	15	12.5	41000	30700	9	43000	3.6	27000	2.4	1440
	ED1P50/60C+H4TXV02	A80DS2V110C20	15	12.5	41000	30700	9	43000	3.6	27000	2.4	1400
	ED1P50/60C+H4TXV02	A95DF1E090C16	15	12.5	41000	30700	8.7	43000	3.6	27200	2.4	1370
	ED1P50/60C+H4TXV02	A95DF1E110C20	15	12.5	41000	30700	9	43500	3.6	27200	2.4	1465
	ED1P50/60C+H4TXV02	A96DF2E090C16	15	12.5	41000	30700	8.7	43000	3.6	27200	2.4	1370
	ED1P50/60C+H4TXV02	A96DF2E110C20	15	12.5	41000	30700	9	43500	3.6	27200	2.4	1465
ED1P50/60C+H4TXV02	A96DS2V090C20	15	12.5	41000	30700	9	43500	3.6	27200	2.4	1445	
ED1P50/60C+H4TXV02	A96DS2V110C20	15	12.5	41000	30700	9	43000	3.6	27200	2.4	1440	
ED1P50/60C+H4TXV02	A97DSMV090C16	15	12.5	41000	30700	9	43000	3.6	27200	2.4	1425	
ED1P50/60C+H4TXV02	A97DSMV090C20	15	12.5	41000	30700	9	43500	3.6	27200	2.4	1445	
ED1P50/60C+H4TXV02	A97DSMV110C20	15	12.5	41000	30700	9	43000	3.6	27200	2.4	1440	
4SHP15LE148P-1	BCE3M48E****4X		15	12.5	47000	34600	8.5	46000	3.4	29600	2.5	1600
	BCE3M48V****4X		14.5	12	47000	34600	8.2	45500	3.4	29000	2.5	1600
	BCE4M48S*		14.5	12.5	47000	34600	8.5	45500	3.4	30000	2.5	1600
	BCE4M60S*		14.5	12.5	47000	34600	8.5	45500	3.4	30000	2.5	1600
	BCE3M48C****4X		14	12	47000	34600	8.2	46000	3.4	29600	2.5	1600
	BCE3M48C****P+TXV		14	12	47000	34600	8.2	46000	3.4	29600	2.5	1600
	E*1P49C+H4TXV02	A80UH2V090C20*	14.5	12.5	47000	34600	8.2	46000	3.4	29600	2.5	1600
	E*1P49C+H4TXV02	A80UH2V110C20*	14.5	12.5	47000	34600	8.2	46000	3.4	29600	2.5	1600
	E*1P49C+H4TXV02	A80US2V090C20*	14.5	12.5	47000	34600	8.2	46000	3.4	29600	2.5	1600
	E*1P49C+H4TXV02	A80US2V110C20*	14.5	12.5	47000	34600	8.2	46000	3.4	29600	2.5	1600
	E*1P49C+H4TXV02	A95UH2E090C16S	14.5	12.5	47000	34600	8.2	46000	3.4	29600	2.5	1600

Outdoor Model	Indoor Model		Cooling					Heating				CFM
	Evap. Coil	Furnace	SEER	EER	AHRI Rated Capacity BTUH	Sensible Capacity BTUH	HSPF	47°		17°		
								Btuh	COP	Btuh	COP	
4SHP15LE148P-1	E*1P49C+H4TXV02	A96UH2E090C16S	14.5	12.5	47000	34600	8.2	46000	3.4	29600	2.5	1600
	E*1P49C+H4TXV02	A96US2V110C16S	14.5	12.5	47000	34600	8.2	46000	3.4	29600	2.5	1600
	E*1P49C+H4TXV02	A97USMV090C16*	14.5	12.5	47000	34600	8.2	46000	3.4	29600	2.5	1600
	E*1P49C+H4TXV02	A97USMV090C20*	14.5	12.5	47000	34600	8.2	46000	3.4	29600	2.5	1600
	E*1P49C+H4TXV02	A97USMV110C20*	14.5	12.5	47000	34600	8.2	46000	3.4	29600	2.5	1600
	E*1P49C+H4TXV02	L83B*1V112/125F20	14	12	47000	34600	8.2	46000	3.4	29600	2.5	1600
	E*1P49C+H4TXV02	L85B*1V104/118F20	14	12	47000	34600	8.2	46000	3.4	29600	2.5	1600
	E*1P62D+H4TXV02	A80UH1E135D20*	14.5	12.5	47000	34600	8.2	46000	3.4	29600	2.5	1600
	E*1P62D+H4TXV02	A80UH2V135D20*	14.5	12.5	47000	34600	8.2	46000	3.4	29600	2.5	1600
	E*1P62D+H4TXV02	A80US2V135D20*	14.5	12.5	47000	34600	8.2	46000	3.4	29600	2.5	1600
	E*1P62D+H4TXV02	A96US2V135D20S	14.5	12.5	47000	34600	8.2	46000	3.4	29600	2.5	1600
	E*1P62D+H4TXV02	A97USMV135D20*	14.5	12.5	47000	34600	8.2	46000	3.4	29600	2.5	1600
	EC4X49C	A80UH2V090C20*	14.5	12.5	47000	34600	8.2	46000	3.4	29600	2.5	1600
	EC4X49C	A80UH2V110C20*	14.5	12.5	47000	34600	8.2	46000	3.4	29600	2.5	1600
	EC4X49C	A80US2V090C20*	14.5	12.5	47000	34600	8.2	46000	3.4	29600	2.5	1600
	EC4X49C	A80US2V110C20*	14.5	12.5	47000	34600	8.2	46000	3.4	29600	2.5	1600
	EC4X49C	A95UH2E090C16S	14.5	12.5	47000	34600	8.2	46000	3.4	29600	2.5	1600
	EC4X49C	A96UH2E090C16S	14.5	12.5	47000	34600	8.2	46000	3.4	29600	2.5	1600
	EC4X49C	A96US2V110C16S	14.5	12.5	47000	34600	8.2	46000	3.4	29600	2.5	1600
	EC4X49C	A97USMV090C16*	14.5	12.5	47000	34600	8.2	46000	3.4	29600	2.5	1600
	EC4X49C	A97USMV090C20*	14.5	12.5	47000	34600	8.2	46000	3.4	29600	2.5	1600
	EC4X49C	A97USMV110C20*	14.5	12.5	47000	34600	8.2	46000	3.4	29600	2.5	1600
	EC4X49C	L83B*1V112/125F20	14	12	47000	34600	8.2	46000	3.4	29600	2.5	1600
	EC4X49C	L85B*1V104/118F20	14	12	47000	34600	8.2	46000	3.4	29600	2.5	1600
	EC4X62D	A80UH1E135D20*	14.5	12.5	47000	34600	8.2	46000	3.4	29600	2.5	1600
	EC4X62D	A80UH2V135D20*	14.5	12.5	47000	34600	8.2	46000	3.4	29600	2.5	1600
	EC4X62D	A80US2V135D20*	14.5	12.5	47000	34600	8.2	46000	3.4	29600	2.5	1600
	EC4X62D	A96US2V135D20S	14.5	12.5	47000	34600	8.2	46000	3.4	29600	2.5	1600
	EC4X62D	A97USMV135D20*	14.5	12.5	47000	34600	8.2	46000	3.4	29600	2.5	1600
	ED1P50/60C+H4TXV02	A80DF1E110C20	15	12.5	48000	34600	9	48500	3.4	31200	2.5	1595
	ED1P50/60C+H4TXV02	A80DS2V110C20	14.2	12.2	48000	34600	8.7	48500	3.4	31000	2.5	1585
	ED1P50/60C+H4TXV02	A95DF1E090C16	14.2	12.2	48000	34600	8.7	49000	3.4	31400	2.5	1570
ED1P50/60C+H4TXV02	A95DF1E110C20	14.2	12.2	48000	34600	8.7	48500	3.4	31200	2.5	1565	
ED1P50/60C+H4TXV02	A96DF2E090C16	14.2	12.2	48000	34600	8.7	49000	3.4	31400	2.5	1570	
ED1P50/60C+H4TXV02	A96DF2E110C20	14.2	12.2	48000	34600	8.7	48500	3.4	31200	2.5	1565	
ED1P50/60C+H4TXV02	A96DS2V090C20	14.2	12.2	48000	34600	8.7	49000	3.4	31400	2.5	1600	
ED1P50/60C+H4TXV02	A96DS2V110C20	14.2	12.2	48000	34600	8.7	48500	3.4	31200	2.5	1580	
ED1P50/60C+H4TXV02	A97DSMV090C16	14.2	12.2	48000	34600	8.7	49000	3.4	31400	2.5	1625	
ED1P50/60C+H4TXV02	A97DSMV090C20	14.2	12.2	48000	34600	8.7	49000	3.4	31400	2.5	1600	
ED1P50/60C+H4TXV02	A97DSMV110C20	14.2	12.2	48000	34600	8.7	48500	3.4	31200	2.5	1580	
4SHP15LE160P-1	BCE3M60E****4X		15	12.5	57000	42300	8.5	55000	3.4	36000	2.5	1900
	BCE3M60V****4X		14.5	12	57000	42300	8.2	55000	3.4	36000	2.5	1930
	BCE3M60C****4X		14	12	57000	42300	8.2	55000	3.4	36000	2.5	1900
	BCE3M60C****P+TXV		14	12	57000	42300	8.2	55000	3.4	36000	2.5	1900
	BCE4M60S*		14	12	57000	42300	8.5	55000	3.4	36000	2.5	1870
	ED1P50/60C+H4TXV02	A80DF1E110C20	14.2	12.2	59000	42300	8.2	58000	3.4	37800	2.5	1800

**COOLING PERFORMANCE WITH AIR HANDLERS AND FURNACES**

Outdoor Model	Indoor Model		Cooling				Heating				CFM	
	Evap. Coil	Furnace	SEER	EER	AHRI Rated Capacity BTUH	Sensible Capacity BTUH	HSPF	47°		17°		
								Btuh	COP	Btuh		COP
4SHPI5LE160P-1	ED1P50/60C+H4TXV02	A80DS2V110C20	14.2	12.2	59000	42300	8.2	58000	3.4	37800	2.5	1760
	ED1P50/60C+H4TXV02	A95DF1E110C20	14	11	58500	42300	8.2	58000	3.4	37600	2.5	1700
	ED1P50/60C+H4TXV02	A96DF2E110C20	14	11	58500	42300	8.2	58000	3.4	37600	2.5	1700
	ED1P50/60C+H4TXV02	A96DS2V090C20	14	11	58500	42300	8.2	58500	3.4	38000	2.5	1750
	ED1P50/60C+H4TXV02	A96DS2V110C20	14	11	58500	42300	8.2	58500	3.4	38000	2.5	1790
	ED1P50/60C+H4TXV02	A97DSMV090C20	14	11	58500	42300	8.2	58500	3.4	38000	2.5	1750
	ED1P50/60C+H4TXV02	A97DSMV110C20	14	11	58500	42300	8.2	58500	3.4	38000	2.5	1790

**Note:**

1. Certified in accordance with Unitary Air Conditioner Certification Program, which is based on AHRI Standard 210/240
2. Required to achieve AHRI rating. If NA (Not Applicable) is in the piston column, then TXV is required.
3. A blower time delay relay is required to achieve AHRI rating. This feature is standard on all Allied Air Enterprises furnace and AH products.

**HEATING PERFORMANCE EXTENDED RATINGS**

Outdoor Model	Indoor Model	Outdoor Temp. DB/WB deg. F									
		0/0		17/15		35/33		47/43		62/56	
		Btuh	KW	Btuh	KW	Btuh	KW	Btuh	KW	Btuh	KW
4SHPI5LE118P-7	BCE3M18C	8,900	1.35	11,400	1.43	14,000	1.45	18,000	1.50	21,500	1.55
4SHPI5LE124P-7	BCE3M24C	5,800	1.50	14,000	1.80	18,700	1.80	22,000	1.90	26,900	2.00
4SHPI5LE130P-7	BCE3M30C	7,800	1.75	17,000	2.00	22,600	2.20	26,200	2.25	31,600	2.35
4SHPI5LE136P-7	BCE3M36C	9,700	2.20	21,600	2.50	29,700	2.80	34,600	2.90	41,900	3.00
4SHPI5LE142P-7	BCE3M42C	12,700	3.15	28,800	3.50	36,000	3.40	42,000	3.50	51,000	3.65
4SHPI5LE148P-7	BCE3M48C	14,100	2.85	29,600	3.50	40,300	3.80	46,500	4.00	55,800	4.30
4SHPI5LE160P-7	BCE3M60C	18,000	3.35	36,000	4.20	48,000	4.75	55,000	5.00	65,500	5.40

**Note:**

All ratings are at indoor temperature of 70 oF  
 Extended data shown is actual for models listed and typical for all AHRI matches.

**ACCESSORIES**

Description	Where Used	Kit Number
Crankcase Heater	18, 24, 30, 36	93M04
	42, 48, 60	93M05 (factory Installed)
Compressor Low Ambient Kit	18, 24, 30, 36, 42, 48, 60	45F08
Sound Blanket	18, 24, 30,36	14W00 (factory Installed)
	42, 48, 60	14W01 (factory Installed)
Short Cycle Protector	18, 24, 30, 36, 42, 48, 60	control board feature
Freezestat	3/8 tubing	93G35
	5/8 tubing	50A93
Time Delay Relay	18, 24, 30, 36, 42, 48, 60	control board feature
Loss of Charge Kit	18, 24, 30, 36, 42, 48, 60	84M23 (factory Installed)

**COOLING PERFORMANCE EXTENDED RATINGS**

Outdoor Model	Indoor Model	Indoor Temp DB/ WB °F	Outdoor Temperature - DB °F														
			65°			82°			95°			105°			115°		
			Btuh	S/T	kW	Btuh	S/T	kW	Btuh	S/T	kW	Btuh	S/T	kW	Btuh	S/T	kW
4SHPI5LE118P-7	BCE3M18C	85/72	22,261	0.67	1.12	20,875	0.68	1.33	19,815	0.68	1.49	18,509	0.69	1.67	17,203	0.70	1.84
		80/67	20,970	0.71	1.13	19,887	0.72	1.36	19,059	0.73	1.53	17,368	0.76	1.62	15,677	0.78	1.85
		75/63	19,437	0.74	1.13	17,871	0.75	1.35	16,673	0.76	1.51	15,622	0.79	1.68	14,570	0.82	1.85
		75/57	17,011	1.00	1.15	15,956	1.00	1.36	15,150	1.00	1.52	14,333	1.00	1.68	13,515	1.00	1.85
4SHPI5LE124P-7	BCE3M24C	85/72	30,200	0.61	1.48	27,700	0.64	1.75	25,700	0.66	1.95	24,200	0.68	2.20	22,700	0.69	2.44
		80/67	27,600	0.69	1.47	25,200	0.71	1.74	23,400	0.73	1.95	22,100	0.75	2.19	20,700	0.77	2.42
		75/63	25,100	0.72	1.47	23,300	0.74	1.74	21,800	0.76	1.95	20,500	0.78	2.19	19,100	0.80	2.43
		75/57	24,000	1.00	1.44	22,400	1.00	1.71	20,800	1.00	1.91	19,700	1.00	2.15	18,400	1.00	2.37
4SHPI5LE130P-7	BCE3M30C	85/72	35,800	0.62	1.88	33,600	0.64	2.19	31,900	0.66	2.43	30,200	0.68	2.72	28,400	0.70	3.00
		80/67	33,500	0.69	1.86	31,000	0.72	2.18	29,000	0.74	2.42	27,600	0.76	2.70	26,200	0.78	2.99
		75/63	31,300	0.72	1.84	29,000	0.75	2.17	27,300	0.77	2.42	25,700	0.79	2.70	24,100	0.81	2.98
		75/57	29,100	1.00	1.82	27,600	1.00	2.14	25,800	1.00	2.37	24,600	1.00	2.65	23,300	1.00	2.93
4SHPI5LE136P-7	BCE3M36C	85/72	39,700	0.61	2.21	38,100	0.64	2.59	36,900	0.67	2.89	34,600	0.70	3.21	32,400	0.73	3.54
		80/67	37,800	0.69	2.20	36,000	0.72	2.59	34,600	0.75	2.88	31,900	0.79	3.21	29,300	0.83	3.53
		75/63	36,100	0.73	2.20	33,300	0.77	2.58	31,100	0.80	2.87	29,000	0.83	3.19	26,800	0.85	3.51
		75/57	32,900	1.00	2.16	32,000	1.00	2.54	30,800	1.00	2.82	28,400	1.00	3.15	26,100	1.00	3.46
4SHPI5LE142P-7	BCE3M42C	85/72	50,600	0.60	2.66	47,800	0.63	3.14	45,700	0.65	3.51	42,800	0.67	3.92	39,900	0.69	4.33
		80/67	48,200	0.68	2.66	44,700	0.71	3.13	42,000	0.73	3.50	39,500	0.75	3.91	37,000	0.77	4.33
		75/63	44,200	0.72	2.64	41,300	0.74	3.12	39,200	0.75	3.49	36,600	0.77	3.89	34,000	0.79	4.30
		75/57	41,900	1.00	2.61	39,800	1.00	3.07	37,400	1.00	3.43	35,200	1.00	3.83	32,900	1.00	4.24
4SHPI5LE148P-7	BCE3M48C	85/72	51,900	0.62	2.95	51,400	0.64	3.55	51,000	0.65	4.00	48,400	0.68	4.47	45,800	0.70	4.93
		80/67	49,800	0.68	2.95	48,800	0.70	3.55	48,000	0.72	4.00	45,500	0.75	4.45	42,900	0.77	4.90
		75/63	47,900	0.71	2.95	45,600	0.74	3.53	43,800	0.77	3.98	40,800	0.82	4.43	37,900	0.86	4.88
		75/57	43,300	1.00	2.89	43,400	1.00	3.48	42,700	1.00	3.92	40,500	1.00	4.36	38,200	1.00	4.80
4SHPI5LE160P-7	BCE3M60C	85/72	72,000	0.62	3.68	66,300	0.65	4.34	62,000	0.67	4.85	58,000	0.69	5.47	54,000	0.71	6.09
		80/67	65,800	0.68	3.64	61,400	0.71	4.32	58,000	0.73	4.83	54,000	0.77	5.45	50,000	0.80	6.07
			60,800	0.71	3.60	56,200	0.74	4.29	52,700	0.76	4.81	49,400	0.78	5.43	46,100	0.80	6.04
		75/57	57,200	1.00	3.57	54,600	1.00	4.23	51,600	1.00	4.73	48,100	1.00	5.34	44,500	1.00	5.95



1-800-448-5872

All specifications and illustrations subject to change without notice and without incurring obligations.