

4SCU14LE

PRODUCT SPECIFICATIONS

14 SEER SPLIT SYSTEM AIR CONDITIONER

FORM NO. 4SCU14LE-100 (06/2015)



COMPRESSOR

- High-efficiency scroll compressor
- R410a refrigerant
- Grommet-mounted compressor for quiet operation
- Protected against high temperature motor overload conditions
- Heavy-duty compressor sound blanket for quiet operation

CABINET

- Full metal louvered panel coil guard protection, that is easily removed for coil cleaning
- Controls located in corner for easy installation and service
- Rounded corners for safety and attractive, clean appearance
- Baked polyester paint finish over galvanized steel for maximum durability
- PVC-coated wire fan discharge grille
- External gauge ports for easy service

COMPONENTS

- Filter drier shipped loose for installation flexibility
- Service valves positioned for quick installation and easy service
- Charged for 15 ft. of line set
- Trade available components
- High and low pressure switches factory installed

COIL

- Enhanced aluminum fins and copper tubing for high efficiency and capacity
- Raised coil prevents debris from collecting in bottom of coil and causing loss of airflow

DESIGN

- Designed for ambients up to 125°F

ACCESSORIES

- Low ambient control
- TXV kits
- Crankcase heater
- Hard start kits
- Short cycle protection

WARRANTY

10 year limited warranty on compressor, 10 year limited warranty on all parts, extended warranty available*

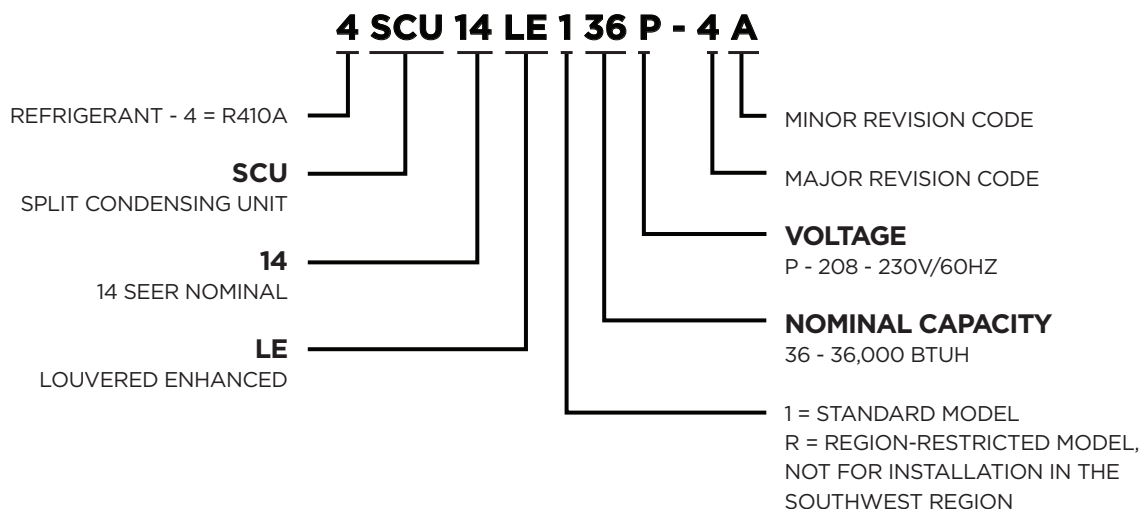
**Warranty provides for a total of 10 years of limited warranty coverage (Standard 5-year limited parts warranty plus an additional 5-year limited extended parts warranty). Warranty must be registered online within 60 days of installation to qualify for 10-year coverage.*

Unregistered equipment defaults to 5-year coverage. Lifetime limited heat exchanger warranty applies to registered equipment only

(Standard 20 years with no online registration). See full warranty at www.alliedair.com for terms, conditions and exclusions.



MODEL NUMBER GUIDE



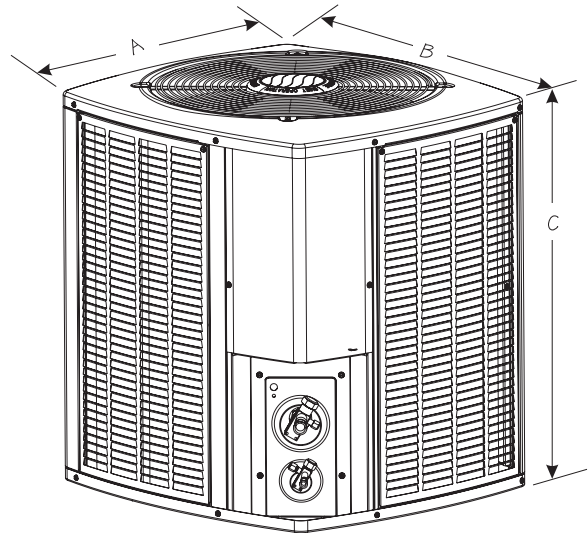
ELECTRICAL AND PHYSICAL DATA

Model	Voltage/ Hz/ Phase	Voltage Range	Min. Circuit Amp.	Max. Over Current Device (amps)	Compressor		Outdoor Fan Motor			Refrig. Charge (oz.):	Shipping Weight (lbs.)
					Rated Load (Amps)	Locked Rotor (Amps)	Rated Load (amps)	Rated HP	Nom. RPM		
4SCU14LE118P-7	208-230/60/1	197-253	12.4	20	9.4	56.6	0.7	1/10	1075	77	150
4SCU14LER18P-7											
4SCU14LE124P-7	208-230/60/1	197-253	15.0	25	11.2	60.8	1.0	1/6	825	86	160
4SCU14LER24P-7											
4SCU14LE130P-7	208-230/60/1	197-253	17.0	25	12.8	67.8	1.0	1/6	825	100	180
4SCU14LER30P-7											
4SCU14LE136P-7	208-230/60/1	197-253	18.6	30	14.1	83	1.0	1/6	825	102	185
4SCU14LER36P-7											
4SCU14LE142P-7	208-230/60/1	197-253	24.1	40	17.9	113	1.7	1/4	825	160	208
4SCU14LER42P-7											
4SCU14LE141P-4	208-230/60/1	197-253	22.6	35	16.7	79	1.7	1/4	825	161	210
4SCU14LE147P-4	208-230/60/1	197-253	26.7	45	19.9	109	1.8	1/3	825	179	251
4SCU14LE148P-4	208-230/60/1	197-253	26.6	45	19.8	109	1.7	1/4	825	174	220
4SCU14LE159P-4	208-230/60/1	197-253	34.1	50	25.0	134	2.8	1/3	825	178	235
4SCU14LE160P-4	208-230/60/1	197-253	34.8	60	26.4	134	1.8	1/3	825	192	253

Note:
Weights listed are unit weights with packaging
+ Factory charged for 15 feet of line set. Adjust per installation instructions.

DIMENSIONS (IN.) AND SOUND RATINGS

Model	Dimensions (inch)			Sound Rating (dBA)
	A - Width	B - Depth	C - Height	
4SCU14LE118P-7	24.75	26.75	29.75	71
4SCU14LER18P-7				
4SCU14LE124P-7	29.38	31.25	29.75	76
4SCU14LER24P-7				
4SCU14LE130P-7	29.38	31.25	37.75	74
4SCU14LER30P-7				
4SCU14LE136P-7	29.38	31.25	37.75	74
4SCU14LER36P-7				
4SCU14LE142P-7	29.38	31.25	33.75	76
4SCU14LER42P-7				
4SCU14LE141P-4	29.38	31.25	37.75	76
4SCU14LE147P-4	29.38	31.25	37.75	80
4SCU14LE148P-4	29.38	31.25	33.75	80
4SCU14LE159P-4	35.75	37.75	37.75	78
4SCU14LE160P-4	35.75	37.75	37.75	80



Note:
Dimensions listed are unit sizes w/o packaging

COOLING PERFORMANCE WITH EVAPORATOR COILS

Outdoor Model	Indoor Model	SEER	EER	AHRI Rated Capacity ¹ BTUH	Sensible Capacity BTUH	CFM	Refrigerant Connection				Refrigerant Line Size		Indoor Expansion Device	
							Outdoor		Indoor		Suction	Liquid	Piston ²	TXV
	Suction						Liquid	Suction	Liquid					
4SCU14LE118P-7 & 4SCU14LER18P-7	E*1P23(A,B)+TDR	14.00	12.20	18000	13000	650	3/4	3/8	3/4	3/8	3/4	3/8	0.053	A4TXV01
	E*1P29(A,B)+TDR	14.00	12.20	18000	13000	650	3/4	3/8	3/4	3/8	3/4	3/8	0.053	A4TXV01
	E*1P36(A,B,C)+TDR	14.00	12.20	18000	13000	650	3/4	3/8	3/4	3/8	3/4	3/8	0.053	A4TXV01
4SCU14LE124P-7 & 4SCU14LER24P-7	E*1P23(A,B)+TDR	14.00	12.20	23000	17000	850	3/4	3/8	3/4	3/8	3/4	3/8	0.057	A4TXV01
	E*1P29(A,B)+TDR	14.00	12.20	23000	17000	850	3/4	3/8	3/4	3/8	3/4	3/8	0.057	A4TXV01
	E*1P30(A,B,C)+TDR	14.00	12.20	23000	17000	850	3/4	3/8	3/4	3/8	3/4	3/8	0.057	A4TXV01
	E*1P36(A,B,C)+TDR	14.00	12.20	23000	17000	850	3/4	3/8	3/4	3/8	3/4	3/8	0.057	A4TXV01
4SCU14LE130P-7 & 4SCU14LER30P-7	E*1P36(A,B,C)+TDR	14.00	12.20	28000	21000	1000	3/4	3/8	3/4	3/8	3/4	3/8	0.065	A4TXV01
4SCU14LE136P-7 & 4SCU14LER36P-7	E*1P36(B,C)+TDR	14.00	12.20	34000	25500	1200	7/8	3/8	7/8	3/8	7/8	3/8	0.071	A4TXV01
	E*1P43(B,C)+TDR	14.00	12.20	34000	25500	1200	7/8	3/8	7/8	3/8	7/8	3/8	0.071	A4TXV01
4SCU14LE141P-4	E(U,C,H)1P49C+TD1	14.00	12.20	38000	28000	1400	7/8	3/8	7/8	3/8	7/8	3/8		A4TXV02
	E(U,C,H)1P62C+TD1	14.00	12.20	38000	28000	1400	7/8	3/8	7/8	3/8	7/8	3/8		A4TXV02
4SCU14LE142P-7 & 4SCU14LER42P-7	E*1P43C+TDR	14.00	12.20	40000	30000	1400	7/8	3/8	7/8	3/8	7/8	3/8		A4TXV02
4SCU14LER42P-7	E*1P49C+TDR	14.00	12.20	40000	30000	1400	7/8	3/8	7/8	3/8	7/8	3/8		A4TXV02
	E*1P62C+TDR	14.00	12.20	40000	30000	1400	7/8	3/8	7/8	3/8	7/8	3/8		A4TXV02
4SCU14LE147P-4	E(U,C)1P62D	14.00	12.50	47000	35000	1600	7/8	3/8	7/8	3/8	7/8	3/8		A4TXV02
	E(U,C,H)1P49C+TDR	14.00	12.50	47000	35000	1600	7/8	3/8	7/8	3/8	7/8	3/8		A4TXV02
	E(U,C,H)1P62C+TDR	14.00	12.50	47000	35000	1600	7/8	3/8	7/8	3/8	7/8	3/8		A4TXV02
4SCU14LE148P-4	E*1P49C+TDR	14.00	12.00	46500	34500	1600	7/8	3/8	7/8	3/8	7/8	3/8		A4TXV02
	E*1P62C+TDR	14.00	12.00	46500	34500	1600	7/8	3/8	7/8	3/8	7/8	3/8		A4TXV02
	E*1P62D+TDR	14.00	12.00	46500	34500	1600	7/8	3/8	7/8	3/8	7/8	3/8		A4TXV02
4SCU14LE159P-4	E(U,C,H)1P62C+TDR	14.00	12.20	57000	41500	1800	1 1/8	3/8	7/8	3/8	1 1/8	3/8		A4TXV02
	E*1P62D+TDR	14.00	12.00	57000	41500	1800	1 1/8	3/8	7/8	3/8	1 1/8	3/8		A4TXV02
4SCU14LE160P-4	E*1P62C+TDR	14.00	12.00	58000	42000	1800	1 1/8	3/8	7/8	3/8	1 1/8	3/8		A4TXV02

Note:
 1 Certified in accordance with Unitary Air Conditioner Certification Program, which is based on AHRI Standard 210/240
 2 Required to achieve AHRI rating. If NA (Not Applicable) is in the piston column, then TXV is required.
 3 A blower time delay relay is required to achieve AHRI rating. This feature is standard on all Allied Air Enterprises furnace and AH products.

COOLING PERFORMANCE WITH AIR HANDLERS AND FURNACES

Outdoor Model	Indoor Model	Variable Speed Furnace	SEER	EER	AHRI Rated Capacity ¹ BTUH	Rated Sensible Capacity BTUH	CFM	
	Evap. Coil or Air Handler ³							
4SCU14LE118P-7	BC*3M18C****P		14.00	12.20	18000	13000	650	
	BCE3M24E****X		15.10	12.20	18000	13000	650	
	BCE4M30S*		16.00	13.00	18000	13000	650	
	BCS2M24V++++P		16.00	13.00	18000	13000	650	
	E*1P23A	A80US2V070A12		16.00	13.00	18000	13000	650
	E*1P23A	A80DF1E045A12		15.10	13.00	18000	13000	650
	E*1P23A	A80UH1E045A12		15.10	13.00	18000	13000	650
	E*1P23A	A80DS2V070A12		15.10	13.00	18000	13000	650
	E*1P23B	A80DS2V090B16		15.10	13.00	18000	13000	650
	E*1P23B	A80UH1E070B12		15.10	13.00	18000	13000	650
	E*1P23B	A80DF1E070B12		15.10	13.00	18000	13000	650
	E*1P23B	A80US2V090B12		16.00	13.00	18000	13000	650
	E*1P23B	A80US2V090B16		16.00	13.00	18000	13000	620
	E*1P23B	A95DF1E045B12		15.10	13.00	18000	13000	650
	E*1P23B	A95DF1E070B16		15.10	13.00	18000	13000	625
	E*1P23B	A95UH1E045B12		15.10	13.00	18000	13000	620
	E*1P23B	A95UH1E070B12		15.10	13.00	18000	13000	650
	E*1P23B	A95DF2E045B12		15.10	13.00	18000	13000	650
	E*1P23B	A95DF2E070B16		15.10	13.00	18000	13000	620
	E*1P23B	A95UH2E045B12		15.10	13.00	18000	13000	620
	E*1P23B	A95UH2E070B12		15.10	13.00	18000	13000	650
	E*1P23B	A96DS2V045B12		16.00	13.00	18000	13000	650
	E*1P23B	A96DF2V070B16		15.10	13.00	18000	13000	650
	E*1P23B	A96US2V045B12		15.10	13.00	18000	13000	650
	E*1P23B	A96US2V070B12		16.00	13.00	18000	13000	650
	E*1P23B	A97DSMV070B12		16.00	13.00	18000	13000	620
	E*1P23B	A97USMV070B12		16.00	13.00	18000	13000	650
	E*1P23B	EFV08BC		15.10	13.00	18000	13000	650
	E*1P24A	A80US2V070A12		15.10	13.00	18000	13000	650
	E*1P24A	A80DF1E045A12		15.10	13.00	18000	13000	650
	E*1P24A	A80UH1E045A12		15.10	13.00	18000	13000	650
	E*1P24A	A80DS2V070A12		15.10	13.00	18000	13000	650
	E*1P24B	A80DS2V090B16		15.10	13.00	18000	13000	650
E*1P24B	A80UH1E070B12		15.10	13.00	18000	13000	620	
E*1P24B	A80DF1E070B12		14.50	12.20	18000	13000	650	

Note:

¹ Certified in accordance with Unitary Air Conditioner Certification Program, which is based on AHRI Standard 210/240

² Required to achieve AHRI rating. If NA (Not Applicable) is in the piston column, then TXV is required.

³ A blower time delay relay is required to achieve AHRI rating. This feature is standard on all Allied Air Enterprises furnace and AH products.

COOLING PERFORMANCE WITH AIR HANDLERS AND FURNACES

Outdoor Model	Indoor Model	Variable Speed Furnace	SEER	EER	AHRI Rated Capacity ¹ BTUH	Rated Sensible Capacity BTUH	CFM
	Evap. Coil or Air Handler ³						
4SCU14LE118P-7	E*1P24B	A80US2V090B12	15.10	13.00	18000	13000	650
	E*1P24B	A80US2V090B16	15.10	13.00	18000	13000	620
	E*1P24B	A95DF1E045B12	15.10	13.00	18000	13000	650
	E*1P24B	A95DF1E070B16	14.50	12.20	18000	13000	620
	E*1P24B	A95UH1E045B12	15.10	13.00	18000	13000	620
	E*1P24B	A95UH1E070B12	14.50	12.20	18000	13000	650
	E*1P24B	A95DF2E045B12	15.10	13.00	18000	13000	650
	E*1P24B	A95DF2E070B16	14.50	12.20	18000	13000	620
	E*1P24B	A95UH2E045B12	15.10	13.00	18000	13000	620
	E*1P24B	A95UH2E070B12	14.50	12.20	18000	13000	650
	E*1P24B	A96DS2V045B12	15.10	13.00	18000	13000	650
	E*1P24B	A96DF2V070B16	15.10	13.00	18000	13000	650
	E*1P24B	A96US2V045B12	15.10	13.00	18000	13000	650
	E*1P24B	A96US2V070B12	15.10	13.00	18000	13000	650
	E*1P24B	A97DSMV070B12	15.10	13.00	18000	13000	620
	E*1P24B	A97USMV070B12	15.10	13.00	18000	13000	650
	E*1P24B	EFV08BC	15.10	13.00	18000	13000	650
	E*1P29A	A80US2V070A12	16.00	13.00	18000	13000	650
	E*1P29A	A80DF1E045A12	15.10	13.00	18000	13000	650
	E*1P29A	A80UH1E045A12	16.00	13.00	18000	13000	650
	E*1P29A	A80DS2V070A12	16.00	13.00	18000	13000	650
	E*1P29B	A80DS2V090B16	16.00	13.00	18000	13000	650
	E*1P29B	A80UH1E070B12	15.10	13.00	18000	13000	620
	E*1P29B	A80DF1E070B12	15.10	13.00	18000	13000	650
	E*1P29B	A80US2V090B12	16.00	13.00	18000	13000	650
	E*1P29B	A80US2V090B16	16.00	13.00	18000	13000	620
	E*1P29B	A95DF1E045B12	15.10	13.00	18000	13000	650
	E*1P29B	A95DF1E070B16	15.10	13.00	18000	13000	620
	E*1P29B	A95UH1E045B12	15.10	13.00	18000	13000	620
	E*1P29B	A95UH1E070B12	15.10	13.00	18000	13000	650
	E*1P29B	A95DF2E045B12	15.10	13.00	18000	13000	650
	E*1P29B	A95DF2E070B16	15.10	13.00	18000	13000	620
	E*1P29B	A95UH2E045B12	15.10	13.00	18000	13000	620
	E*1P29B	A95UH2E070B12	15.10	13.00	18000	13000	650
E*1P29B	A96DS2V045B12	16.00	13.00	18000	13000	650	

Note:

1 Certified in accordance with Unitary Air Conditioner Certification Program, which is based on AHRI Standard 210/240

2 Required to achieve AHRI rating. If NA (Not Applicable) is in the piston column, then TXV is required.

3 A blower time delay relay is required to achieve AHRI rating. This feature is standard on all Allied Air Enterprises furnace and AH products.

COOLING PERFORMANCE WITH AIR HANDLERS AND FURNACES

Outdoor Model	Indoor Model	Variable Speed Furnace	SEER	EER	AHRI Rated Capacity ¹ BTUH	Rated Sensible Capacity BTUH	CFM
	Evap. Coil or Air Handler ³						
4SCU14LE118P-7	E*1P29B	A96DF2V070B16	16.00	13.00	18000	13000	650
	E*1P29B	A96US2V045B12	16.00	13.00	18000	13000	650
	E*1P29B	A96US2V070B12	16.00	13.00	18000	13000	650
	E*1P29B	A97DSMV070B12	16.00	13.00	18000	13000	620
	E*1P29B	A97USMV070B12	16.00	13.00	18000	13000	650
	E*1P29B	EFV08BC	15.10	13.00	18000	13000	650
	E*1P30A	A80DS2V070A12	15.10	13.00	18000	13000	650
	E*1P30A	A80DF1E045A12	15.10	13.00	18000	13000	650
	E*1P30A	A80UH1E045A12	15.10	13.00	18000	13000	650
	E*1P30A	A80US2V070A12	16.00	13.00	18000	13000	650
	E*1P30B	A80US2V090B12	16.00	13.00	18000	13000	650
	E*1P30B	A80US2V090B16	16.00	13.00	18000	13000	620
	E*1P30B	A95DF1E045B12	15.10	13.00	18000	13000	650
	E*1P30B	A95DF1E070B16	15.10	13.00	18000	13000	620
	E*1P30B	A95UH1E045B12	15.10	13.00	18000	13000	620
	E*1P30B	A95UH1E070B12	15.10	13.00	18000	13000	650
	E*1P30B	A95DF2E045B12	15.10	13.00	18000	13000	650
	E*1P30B	A95DF2E070B16	15.10	13.00	18000	13000	620
	E*1P30B	A95UH2E045B12	15.10	13.00	18000	13000	620
	E*1P30B	A95UH2E070B12	15.10	13.00	18000	13000	650
	E*1P30B	A96DS2V045B12	16.00	13.00	18000	13000	650
	E*1P30B	A96DF2V070B16	15.10	13.00	18000	13000	650
	E*1P30B	A96US2V045B12	15.10	13.00	18000	13000	650
	E*1P30B	A96US2V070B12	16.00	13.00	18000	13000	650
	E*1P30B	A80UH1E070B12	15.10	13.00	18000	13000	620
	E*1P30B	A80DF1E070B12	15.10	13.00	18000	13000	650
	E*1P30B	EFV08BC	15.10	13.00	18000	13000	650
	E*1P30B	A80DS2V090B16	15.10	13.00	18000	13000	650
	E*1P30B	A97DSMV070B12	16.00	13.00	18000	13000	620
	E*1P30B	A97USMV070B12	16.00	13.00	18000	13000	650
	E*1P30C	A97USMV090C12	16.00	13.00	18000	13000	620
	E*1P30C	A97USMV090C16	16.00	13.00	18000	13000	650
	E*1P30C	A97DSMV090C12	16.00	13.00	18000	13000	620
E*1P30C	A97DSMV090C16	15.10	13.00	18000	13000	620	
E*1P30C	A96US2V090C12	16.00	13.00	18000	13000	650	

Note:

1 Certified in accordance with Unitary Air Conditioner Certification Program, which is based on AHRI Standard 210/240

2 Required to achieve AHRI rating. If NA (Not Applicable) is in the piston column, then TXV is required.

3 A blower time delay relay is required to achieve AHRI rating. This feature is standard on all Allied Air Enterprises furnace and AH products.

COOLING PERFORMANCE WITH AIR HANDLERS AND FURNACES

Outdoor Model	Indoor Model	Variable Speed Furnace	SEER	EER	AHRI Rated Capacity ¹ BTUH	Rated Sensible Capacity BTUH	CFM
	Evap. Coil or Air Handler ³						
4SCU14LE118P-7	E*1P36A	A80DF1E045A12	16.00	13.00	18000	13000	650
	E*1P36A	A80UH1E045A12	16.00	13.00	18000	13000	650
	E*1P36A	A80DS2V070A12	16.00	13.00	18000	13000	650
	E*1P36A	A80US2V070A12	16.00	13.00	18000	13000	650
	E*1P36B	A80US2V090B12	16.00	13.00	18000	13000	650
	E*1P36B	A80US2V090B16	16.00	13.00	18000	13000	620
	E*1P36B	A95DF1E045B12	15.10	13.00	18000	13000	650
	E*1P36B	A95DF1E070B16	15.10	13.00	18000	13000	620
	E*1P36B	A95UH1E045B12	15.10	13.00	18000	13000	620
	E*1P36B	A95UH1E070B12	15.10	13.00	18000	13000	650
	E*1P36B	A95DF2E045B12	15.10	13.00	18000	13000	650
	E*1P36B	A95DF2E070B16	15.10	13.00	18000	13000	620
	E*1P36B	A95UH2E045B12	15.10	13.00	18000	13000	620
	E*1P36B	A95UH2E070B12	15.10	13.00	18000	13000	650
	E*1P36B	A96DS2V045B12	16.00	13.00	18000	13000	650
	E*1P36B	A96DF2V070B16	16.00	13.00	18000	13000	650
	E*1P36B	A96US2V045B12	16.00	13.00	18000	13000	650
	E*1P36B	A96US2V070B12	16.00	13.00	18000	13000	650
	E*1P36B	A80DS2V090B16	16.00	13.00	18000	13000	650
	E*1P36B	A97DSMV070B12	16.00	13.00	18000	13000	620
	E*1P36B	A97USMV070B12	16.00	13.00	18000	13000	650
	E*1P36B	A80UH1E070B12	15.10	13.00	18000	13000	620
	E*1P36B	A80DF1E070B12	15.10	13.00	18000	13000	650
	E*1P36B	EFV08BC	15.10	13.00	18000	13000	650
	E*1P36C	A97USMV090C12	16.00	13.00	18000	13000	620
	E*1P36C	A97USMV090C16	16.00	13.00	18000	13000	650
E*1P36C	A97DSMV090C12	16.00	13.00	18000	13000	620	
E*1P36C	A97DSMV090C16	16.00	13.00	18000	13000	620	
E*1P36C	A96US2V090C12	16.00	13.00	18000	13000	650	
4SCU14LER18P-7	BC*3M18C****P		14.00	12.20	18000	13000	650
	BCE3M24E****X		15.10	12.20	18000	13000	650
	BCE4M30S*		16.00	13.00	18000	13000	650
	BCS2M24V++++P		16.00	13.00	18000	13000	650
	E*1P18A	A80DF1E045A12	15.10	13.00	18000	13000	665
	E*1P18A	A80UH1E045A12	15.10	13.00	18000	13000	640

Note:

1 Certified in accordance with Unitary Air Conditioner Certification Program, which is based on AHRI Standard 210/240

2 Required to achieve AHRI rating. If NA (Not Applicable) is in the piston column, then TXV is required.

3 A blower time delay relay is required to achieve AHRI rating. This feature is standard on all Allied Air Enterprises furnace and AH products.

COOLING PERFORMANCE WITH AIR HANDLERS AND FURNACES

Outdoor Model	Indoor Model	Variable Speed Furnace	SEER	EER	AHRI Rated Capacity ¹ BTUH	Rated Sensible Capacity BTUH	CFM
	Evap. Coil or Air Handler ³						
4SCU14LER18P-7	E*1P18A	A80DS2V070A12	15.10	13.00	18000	13000	665
	E*1P18A	A80US2V070A12	15.10	13.00	18000	13000	645
	E*1P23A	A80US2V070A12	16.00	13.00	18000	13000	650
	E*1P23A	A80DF1E045A12	15.10	13.00	18000	13000	650
	E*1P23A	A80UH1E045A12	15.10	13.00	18000	13000	650
	E*1P23A	A80DS2V070A12	15.10	13.00	18000	13000	650
	E*1P23B	A80DS2V090B16	15.10	13.00	18000	13000	650
	E*1P23B	A80UH1E070B12	15.10	13.00	18000	13000	650
	E*1P23B	A80DF1E070B12	15.10	13.00	18000	13000	650
	E*1P23B	EFV08BC	15.10	13.00	18000	13000	650
	E*1P23B	A80US2V090B12	16.00	13.00	18000	13000	650
	E*1P23B	A80US2V090B16	16.00	13.00	18000	13000	620
	E*1P23B	A95DF1E045B12	15.10	13.00	18000	13000	650
	E*1P23B	A95DF1E070B16	15.10	13.00	18000	13000	625
	E*1P23B	A95UH1E045B12	15.10	13.00	18000	13000	620
	E*1P23B	A95UH1E070B12	15.10	13.00	18000	13000	650
	E*1P23B	A95DF2E045B12	15.10	13.00	18000	13000	650
	E*1P23B	A95DF2E070B16	15.10	13.00	18000	13000	620
	E*1P23B	A95UH2E045B12	15.10	13.00	18000	13000	620
	E*1P23B	A95UH2E070B12	15.10	13.00	18000	13000	650
	E*1P23B	A96DS2V045B12	16.00	13.00	18000	13000	650
	E*1P23B	A96DF2V070B16	15.10	13.00	18000	13000	650
	E*1P23B	A96US2V045B12	15.10	13.00	18000	13000	650
	E*1P23B	A96US2V070B12	16.00	13.00	18000	13000	650
	E*1P23B	A97DSMV070B12	16.00	13.00	18000	13000	620
	E*1P23B	A97USMV070B12	16.00	13.00	18000	13000	650
	E*1P24A	A80DF1E045A12	15.10	13.00	18000	13000	650
	E*1P24A	A80UH1E045A12	15.10	13.00	18000	13000	650
	E*1P24A	A80US2V070A12	15.10	13.00	18000	13000	650
	E*1P24A	A80DS2V070A12	15.10	13.00	18000	13000	650
	E*1P24B	A80DS2V090B16	15.10	13.00	18000	13000	650
	E*1P24B	A80US2V090B12	15.10	13.00	18000	13000	650
	E*1P24B	A80US2V090B16	15.10	13.00	18000	13000	620
	E*1P24B	A95DF1E045B12	15.10	13.00	18000	13000	650
E*1P24B	A95DF1E070B16	14.50	12.20	18000	13000	620	

Note:

1 Certified in accordance with Unitary Air Conditioner Certification Program, which is based on AHRI Standard 210/240

2 Required to achieve AHRI rating. If NA (Not Applicable) is in the piston column, then TXV is required.

3 A blower time delay relay is required to achieve AHRI rating. This feature is standard on all Allied Air Enterprises furnace and AH products.

COOLING PERFORMANCE WITH AIR HANDLERS AND FURNACES

Outdoor Model	Indoor Model	Variable Speed Furnace	SEER	EER	AHRI Rated Capacity ¹ BTUH	Rated Sensible Capacity BTUH	CFM
	Evap. Coil or Air Handler ³						
4SCU14LER18P-7	E*1P24B	A95UH1E045B12	15.10	13.00	18000	13000	620
	E*1P24B	A95UH1E070B12	14.50	12.20	18000	13000	650
	E*1P24B	A95DF2E045B12	15.10	13.00	18000	13000	650
	E*1P24B	A95DF2E070B16	14.50	12.20	18000	13000	620
	E*1P24B	A95UH2E045B12	15.10	13.00	18000	13000	620
	E*1P24B	A95UH2E070B12	14.50	12.20	18000	13000	650
	E*1P24B	A96DS2V045B12	15.10	13.00	18000	13000	650
	E*1P24B	A96DF2V070B16	15.10	13.00	18000	13000	650
	E*1P24B	A96US2V045B12	15.10	13.00	18000	13000	650
	E*1P24B	A96US2V070B12	15.10	13.00	18000	13000	650
	E*1P24B	A97DSMV070B12	15.10	13.00	18000	13000	620
	E*1P24B	A97USMV070B12	15.10	13.00	18000	13000	650
	E*1P24B	A80UH1E070B12	15.10	13.00	18000	13000	620
	E*1P24B	A80DF1E070B12	14.50	12.20	18000	13000	650
	E*1P24B	EFV08BC	15.10	13.00	18000	13000	650
	E*1P29A	A80DS2V070A12	16.00	13.00	18000	13000	650
	E*1P29A	A80DF1E045A12	15.10	13.00	18000	13000	650
	E*1P29A	A80UH1E045A12	16.00	13.00	18000	13000	650
	E*1P29A	A80US2V070A12	16.00	13.00	18000	13000	650
	E*1P29B	A80US2V090B12	16.00	13.00	18000	13000	650
	E*1P29B	A80US2V090B16	16.00	13.00	18000	13000	620
	E*1P29B	A95DF1E045B12	15.10	13.00	18000	13000	650
	E*1P29B	A95DF1E070B16	15.10	13.00	18000	13000	620
	E*1P29B	A95UH1E045B12	15.10	13.00	18000	13000	620
	E*1P29B	A95UH1E070B12	15.10	13.00	18000	13000	650
	E*1P29B	A95DF2E045B12	15.10	13.00	18000	13000	650
	E*1P29B	A95DF2E070B16	15.10	13.00	18000	13000	620
	E*1P29B	A95UH2E045B12	15.10	13.00	18000	13000	620
	E*1P29B	A95UH2E070B12	15.10	13.00	18000	13000	650
	E*1P29B	A96DS2V045B12	16.00	13.00	18000	13000	650
	E*1P29B	A96DF2V070B16	16.00	13.00	18000	13000	650
	E*1P29B	A96US2V045B12	16.00	13.00	18000	13000	650
E*1P29B	A96US2V070B12	16.00	13.00	18000	13000	650	
E*1P29B	A97DSMV070B12	16.00	13.00	18000	13000	620	
E*1P29B	A97USMV070B12	16.00	13.00	18000	13000	650	

Note:

1 Certified in accordance with Unitary Air Conditioner Certification Program, which is based on AHRI Standard 210/240

2 Required to achieve AHRI rating. If NA (Not Applicable) is in the piston column, then TXV is required.

3 A blower time delay relay is required to achieve AHRI rating. This feature is standard on all Allied Air Enterprises furnace and AH products.

COOLING PERFORMANCE WITH AIR HANDLERS AND FURNACES

Outdoor Model	Indoor Model	Variable Speed Furnace	SEER	EER	AHRI Rated Capacity ¹ BTUH	Rated Sensible Capacity BTUH	CFM
	Evap. Coil or Air Handler ³						
4SCU14LER18P-7	E*1P29B	A80UH1E070B12	15.10	13.00	18000	13000	620
	E*1P29B	A80DF1E070B12	15.10	13.00	18000	13000	650
	E*1P29B	A80DS2V090B16	16.00	13.00	18000	13000	650
	E*1P29B	EFV08BC	15.10	13.00	18000	13000	650
	E*1P30A	A80DF1E045A12	15.10	13.00	18000	13000	650
	E*1P30A	A80UH1E045A12	15.10	13.00	18000	13000	650
	E*1P30A	A80DS2V070A12	15.10	13.00	18000	13000	650
	E*1P30A	A80US2V070A12	16.00	13.00	18000	13000	650
	E*1P30B	A80US2V090B12	16.00	13.00	18000	13000	650
	E*1P30B	A80US2V090B16	16.00	13.00	18000	13000	620
	E*1P30B	A95DF1E045B12	15.10	13.00	18000	13000	650
	E*1P30B	A95DF1E070B16	15.10	13.00	18000	13000	620
	E*1P30B	A95UH1E045B12	15.10	13.00	18000	13000	620
	E*1P30B	A95UH1E070B12	15.10	13.00	18000	13000	650
	E*1P30B	A95DF2E045B12	15.10	13.00	18000	13000	650
	E*1P30B	A95DF2E070B16	15.10	13.00	18000	13000	620
	E*1P30B	A95UH2E045B12	15.10	13.00	18000	13000	620
	E*1P30B	A95UH2E070B12	15.10	13.00	18000	13000	650
	E*1P30B	A96DS2V045B12	16.00	13.00	18000	13000	650
	E*1P30B	A96DF2V070B16	15.10	13.00	18000	13000	650
	E*1P30B	A96US2V045B12	15.10	13.00	18000	13000	650
	E*1P30B	A96US2V070B12	16.00	13.00	18000	13000	650
	E*1P30B	EFV08BC	15.10	13.00	18000	13000	650
	E*1P30B	A80DS2V090B16	15.10	13.00	18000	13000	650
	E*1P30B	A80UH1E070B12	15.10	13.00	18000	13000	620
	E*1P30B	A80DF1E070B12	15.10	13.00	18000	13000	650
	E*1P30B	A97DSMV070B12	16.00	13.00	18000	13000	620
	E*1P30B	A97USMV070B12	16.00	13.00	18000	13000	650
	E*1P30C	A97USMV090C12	16.00	13.00	18000	13000	620
	E*1P30C	A97USMV090C16	16.00	13.00	18000	13000	650
	E*1P30C	A97DSMV090C12	16.00	13.00	18000	13000	620
	E*1P30C	A97DSMV090C16	15.10	13.00	18000	13000	620
	E*1P30C	A96US2V090C12	16.00	13.00	18000	13000	650
	E*1P36A	A80DF1E045A12	16.00	13.00	18000	13000	650
E*1P36A	A80UH1E045A12	16.00	13.00	18000	13000	650	

Note:

1 Certified in accordance with Unitary Air Conditioner Certification Program, which is based on AHRI Standard 210/240

2 Required to achieve AHRI rating. If NA (Not Applicable) is in the piston column, then TXV is required.

3 A blower time delay relay is required to achieve AHRI rating. This feature is standard on all Allied Air Enterprises furnace and AH products.

COOLING PERFORMANCE WITH AIR HANDLERS AND FURNACES

Outdoor Model	Indoor Model	Variable Speed Furnace	SEER	EER	AHRI Rated Capacity ¹ BTUH	Rated Sensible Capacity BTUH	CFM
	Evap. Coil or Air Handler ³						
4SCU14LER18P-7	E*1P36A	A80DS2V070A12	16.00	13.00	18000	13000	650
	E*1P36A	A80US2V070A12	16.00	13.00	18000	13000	650
	E*1P36B	A80US2V090B12	16.00	13.00	18000	13000	650
	E*1P36B	A80US2V090B16	16.00	13.00	18000	13000	620
	E*1P36B	A95DF1E045B12	15.10	13.00	18000	13000	650
	E*1P36B	A95DF1E070B16	15.10	13.00	18000	13000	620
	E*1P36B	A95UH1E045B12	15.10	13.00	18000	13000	620
	E*1P36B	A95UH1E070B12	15.10	13.00	18000	13000	650
	E*1P36B	A95DF2E045B12	15.10	13.00	18000	13000	650
	E*1P36B	A95DF2E070B16	15.10	13.00	18000	13000	620
	E*1P36B	A95UH2E045B12	15.10	13.00	18000	13000	620
	E*1P36B	A95UH2E070B12	15.10	13.00	18000	13000	650
	E*1P36B	A96DS2V045B12	16.00	13.00	18000	13000	650
	E*1P36B	A96DF2V070B16	16.00	13.00	18000	13000	650
	E*1P36B	A96US2V045B12	16.00	13.00	18000	13000	650
	E*1P36B	A96US2V070B12	16.00	13.00	18000	13000	650
	E*1P36B	A80DS2V090B16	16.00	13.00	18000	13000	650
	E*1P36B	A80UH1E070B12	15.10	13.00	18000	13000	620
	E*1P36B	A80DF1E070B12	15.10	13.00	18000	13000	650
	E*1P36B	A97USMV070B12	16.00	13.00	18000	13000	650
	E*1P36B	A97DSMV070B12	16.00	13.00	18000	13000	620
	E*1P36B	EFV08BC	15.10	13.00	18000	13000	650
	E*1P36C	A97DSMV090C12	16.00	13.00	18000	13000	620
	E*1P36C	A97DSMV090C16	16.00	13.00	18000	13000	620
	E*1P36C	A97USMV090C12	16.00	13.00	18000	13000	620
	E*1P36C	A97USMV090C16	16.00	13.00	18000	13000	650
	E*1P36C	A96US2V090C12	16.00	13.00	18000	13000	650
	EC1P19A	A80DF1E045A12	15.10	13.00	18000	13000	665
	EC1P19A	A80UH1E045A12	15.10	13.00	18000	13000	640
	EC1P19A	A80DS2V070A12	15.10	13.00	18000	13000	665
	EC1P19A	A80US2V070A12	15.10	13.00	18000	13000	645
	4SCU14LE124P-7	BC*3M24C****P		14.00	12.20	23000	17000
BCE3M30E****X			15.10	13.00	23000	17000	850
BCE4M24S*			15.10	12.50	23000	17000	850
BCE4M30S*			16.00	13.00	23000	17000	850

Note:

1 Certified in accordance with Unitary Air Conditioner Certification Program, which is based on AHRI Standard 210/240

2 Required to achieve AHRI rating. If NA (Not Applicable) is in the piston column, then TXV is required.

3 A blower time delay relay is required to achieve AHRI rating. This feature is standard on all Allied Air Enterprises furnace and AH products.

COOLING PERFORMANCE WITH AIR HANDLERS AND FURNACES

Outdoor Model	Indoor Model	Variable Speed Furnace	SEER	EER	AHRI Rated Capacity ¹ BTUH	Rated Sensible Capacity BTUH	CFM
	Evap. Coil or Air Handler ³						
4SCU14LE124P-7	BCS2M24V++++P		16.00	13.00	23000	17000	850
	E*1P23A	A80US2V070A12	16.00	13.00	23000	17000	850
	E*1P23A	A80UH1E045A12	16.00	13.00	23000	17000	860
	E*1P23A	A80DF1E045A12	16.00	13.00	23000	17000	790
	E*1P23A	A80DS2V070A12	16.00	13.00	23000	17000	800
	E*1P23B	A80DS2V090B16	16.00	13.00	23000	17000	855
	E*1P23B	A80US2V090B16	16.00	13.00	23000	17000	795
	E*1P23B	A95UH1E070B12	14.50	12.20	23000	17000	795
	E*1P23B	A95UH2E070B12	15.10	12.50	23000	17000	795
	E*1P23B	A96DF2V070B16	14.50	12.20	23000	17000	850
	E*1P23B	A96US2V070B12	16.00	13.00	23000	17000	840
	E*1P23B	A97DSMV070B12	16.00	13.00	23000	17000	845
	E*1P23B	A97USMV070B12	16.00	13.00	23000	17000	805
	E*1P23B	A80DF1E070B12	16.00	13.00	23000	17000	845
	E*1P23B	A80UH1E070B12	16.00	13.00	23000	17000	825
	E*1P23B	EFV08BC	16.00	13.00	23000	17000	850
	E*1P23B	A96DS2V045B12	15.10	12.50	23000	17000	860
	E*1P23B	A96US2V045B12	15.10	12.50	23000	17000	860
	E*1P23B	A80US2V090B12	16.00	13.00	23000	17000	800
	E*1P24A	A80US2V070A12	15.10	13.00	23000	17000	850
	E*1P24A	A80UH1E045A12	15.10	13.00	23000	17000	860
	E*1P24A	A80DF1E045A12	15.10	13.00	23000	17000	790
	E*1P24A	A80DS2V070A12	15.10	13.00	23000	17000	800
	E*1P24B	A80DS2V090B16	15.10	13.00	23000	17000	855
	E*1P24B	A80US2V090B16	15.10	13.00	23000	17000	795
	E*1P24B	A95UH1E070B12	15.10	13.00	23000	17000	795
	E*1P24B	A95UH2E070B12	15.10	13.00	23000	17000	795
	E*1P24B	A96DF2V070B16	15.10	13.00	23000	17000	850
	E*1P24B	A96US2V070B12	15.10	13.00	23000	17000	840
	E*1P24B	A97DSMV070B12	15.10	13.00	23000	17000	845
	E*1P24B	A97USMV070B12	15.10	13.00	23000	17000	805
	E*1P24B	EFV08BC	15.10	13.00	23000	17000	850
	E*1P24B	A80DF1E070B12	15.10	13.00	23000	17000	845
	E*1P24B	A80UH1E070B12	15.10	13.00	23000	17000	825
E*1P24B	A96DS2V045B12	15.10	13.00	23000	17000	860	

Note:

¹ Certified in accordance with Unitary Air Conditioner Certification Program, which is based on AHRI Standard 210/240

² Required to achieve AHRI rating. If NA (Not Applicable) is in the piston column, then TXV is required.

³ A blower time delay relay is required to achieve AHRI rating. This feature is standard on all Allied Air Enterprises furnace and AH products.

COOLING PERFORMANCE WITH AIR HANDLERS AND FURNACES

Outdoor Model	Indoor Model	Variable Speed Furnace	SEER	EER	AHRI Rated Capacity ¹ BTUH	Rated Sensible Capacity BTUH	CFM
	Evap. Coil or Air Handler ³						
4SCU14LE124P-7	E*1P24B	A96US2V045B12	15.10	13.00	23000	17000	860
	E*1P24B	A80US2V090B12	16.00	13.00	23000	17000	800
	E*1P29A	A80UH1E045A12	16.00	13.00	23000	17000	860
	E*1P29A	A80US2V070A12	16.00	13.00	23000	17000	850
	E*1P29A	A80DS2V070A12	16.00	13.00	23000	17000	800
	E*1P29A	A80DF1E045A12	16.00	13.00	23000	17000	790
	E*1P29B	A80DF1E070B12	16.00	13.00	23000	17000	845
	E*1P29B	A80UH1E070B12	16.00	13.00	23000	17000	825
	E*1P29B	A80DS2V090B16	16.00	13.00	23000	17000	855
	E*1P29B	A80US2V090B16	16.00	13.00	23000	17000	795
	E*1P29B	A95UH1E070B12	14.50	12.20	23000	17000	795
	E*1P29B	A95UH2E070B12	16.00	13.00	23000	17000	795
	E*1P29B	A96DF2V070B16	15.10	13.00	23000	17000	850
	E*1P29B	A96US2V070B12	16.00	13.00	23000	17000	840
	E*1P29B	A97DSMV070B12	16.00	13.00	23000	17000	845
	E*1P29B	A97USMV070B12	16.00	13.00	23000	17000	805
	E*1P29B	EFV08BC	16.00	13.00	23000	17000	850
	E*1P29B	A80US2V090B12	16.00	13.00	23000	17000	800
	E*1P29B	A96DS2V045B12	16.00	13.00	23000	17000	860
	E*1P29B	A96US2V045B12	16.00	13.00	23000	17000	860
	E*1P29C	A97USMV090C16	16.00	13.00	23000	17000	860
	E*1P30A	A80US2V070A12	16.00	13.00	23000	17000	850
	E*1P30A	A80UH1E045A12	15.10	13.00	23000	17000	860
	E*1P30A	A80DF1E045A12	16.00	13.00	23000	17000	790
	E*1P30A	A80DS2V070A12	16.00	13.00	23000	17000	800
	E*1P30B	A80DS2V090B16	15.10	13.00	23000	17000	855
	E*1P30B	A80US2V090B16	15.10	13.00	23000	17000	795
	E*1P30B	A95UH1E070B12	14.50	12.20	23000	17000	795
	E*1P30B	A95UH2E070B12	15.10	13.00	23000	17000	795
	E*1P30B	A96DF2V070B16	15.10	13.00	23000	17000	850
	E*1P30B	A96US2V070B12	16.00	13.00	23000	17000	840
	E*1P30B	A80DF1E070B12	16.00	13.00	23000	17000	845
	E*1P30B	A80UH1E070B12	16.00	13.00	23000	17000	825
E*1P30B	EFV08BC	15.10	13.00	23000	17000	850	
E*1P30B	A97DSMV070B12	16.00	13.00	23000	17000	845	

Note:

1 Certified in accordance with Unitary Air Conditioner Certification Program, which is based on AHRI Standard 210/240

2 Required to achieve AHRI rating. If NA (Not Applicable) is in the piston column, then TXV is required.

3 A blower time delay relay is required to achieve AHRI rating. This feature is standard on all Allied Air Enterprises furnace and AH products.

COOLING PERFORMANCE WITH AIR HANDLERS AND FURNACES

Outdoor Model	Indoor Model	Variable Speed Furnace	SEER	EER	AHRI Rated Capacity ¹ BTUH	Rated Sensible Capacity BTUH	CFM
	Evap. Coil or Air Handler ³						
4SCU14LE124P-7	E*1P30B	A97USMV070B12	16.00	13.00	23000	17000	805
	E*1P30B	A96US2V045B12	15.10	13.00	23000	17000	860
	E*1P30B	A80US2V090B12	16.00	13.00	23000	17000	800
	E*1P30B	A96DS2V045B12	15.10	13.00	23000	17000	850
	E*1P30C	A97DSMV090C16	16.00	13.00	23000	17000	860
	E*1P30C	A97USMV090C16	16.00	13.00	23000	17000	860
	E*1P30C	A97USMV090C12	16.00	13.00	23000	17000	840
	E*1P30C	A97DSMV090C12	16.00	13.00	23000	17000	835
	E*1P30C	A96US2V090C12	16.00	13.00	23000	17000	840
	E*1P36A	A80DF1E045A12	16.00	13.00	23000	17000	790
	E*1P36A	A80DS2V070A12	16.00	13.00	23000	17000	800
	E*1P36A	A80UH1E045A12	16.00	13.00	23000	17000	860
	E*1P36A	A80US2V070A12	16.00	13.00	23000	17000	850
	E*1P36B	A80US2V090B12	16.00	13.00	23000	17000	820
	E*1P36B	A95DF1E045B12	14.50	12.20	23000	17000	850
	E*1P36B	A95DF1E070B16	14.50	12.20	23000	17000	850
	E*1P36B	A95UH1E045B12	14.50	12.20	23000	17000	850
	E*1P36B	A95DF2E070B16	14.50	12.20	23000	17000	860
	E*1P36B	A95UH2E045B12	14.50	12.20	23000	17000	860
	E*1P36B	A96DS2V045B12	16.00	13.00	23000	17000	860
	E*1P36B	A96US2V045B12	16.00	13.00	23000	17000	860
	E*1P36B	A80DS2V090B16	16.00	13.00	23000	17000	855
	E*1P36B	A80US2V090B16	16.00	13.00	23000	17000	795
	E*1P36B	A95UH1E070B12	16.00	13.00	23000	17000	795
	E*1P36B	A95DF2E045B12	14.50	12.20	23000	17000	860
	E*1P36B	A95UH2E070B12	16.00	13.00	23000	17000	795
	E*1P36B	A96DF2V070B16	16.00	13.00	23000	17000	850
	E*1P36B	A96US2V070B12	16.00	13.00	23000	17000	840
	E*1P36B	A97USMV070B12	16.00	13.00	23000	17000	805
	E*1P36B	A97DSMV070B12	16.00	13.00	23000	17000	845
E*1P36B	A80DF1E070B12	16.00	13.00	23000	17000	845	
E*1P36B	A80UH1E070B12	16.00	13.00	23000	17000	825	

Note:

1 Certified in accordance with Unitary Air Conditioner Certification Program, which is based on AHRI Standard 210/240

2 Required to achieve AHRI rating. If NA (Not Applicable) is in the piston column, then TXV is required.

3 A blower time delay relay is required to achieve AHRI rating. This feature is standard on all Allied Air Enterprises furnace and AH products.

COOLING PERFORMANCE WITH AIR HANDLERS AND FURNACES

Outdoor Model	Indoor Model	Variable Speed Furnace	SEER	EER	AHRI Rated Capacity ¹ BTUH	Rated Sensible Capacity BTUH	CFM
	Evap. Coil or Air Handler ³						
4SCU14LE124P-7	E*1P36B	EFV08BC	16.00	13.00	23000	17000	850
	E*1P36C	A97DSMV090C12	16.00	13.00	23000	17000	835
	E*1P36C	A97USMV090C12	16.00	13.00	23000	17000	840
	E*1P36C	A96US2V090C12	16.00	13.00	23000	17000	840
	E*1P36C	A97DSMV090C16	16.00	13.00	23000	17000	860
	E*1P36C	A97USMV090C16	16.00	13.00	23000	17000	860
4SCU14LER24P-7	BC*3M24C****P		14.00	12.20	23000	17000	850
	BCE3M30E****X		15.10	13.00	23000	17000	850
	BCE4M24S*		15.10	12.50	23000	17000	850
	BCE4M30S*		16.00	13.00	23000	17000	850
	BCS2M24V+++P		16.00	13.00	23000	17000	850
	E*1P18A	A80UH1E045A12	15.10	13.00	23000	17000	860
	E*1P18A	A80DF1E045A12	15.10	13.00	23000	17000	790
	E*1P18A	A80DS2V070A12	15.10	13.00	23000	17000	800
	E*1P18A	A80US2V070A12	15.10	13.00	23000	17000	850
	E*1P19A	A80DF1E045A12	15.10	13.00	23000	17000	790
	E*1P19A	A80DS2V070A12	15.10	13.00	23000	17000	800
	E*1P19A	A80US2V070A12	15.10	13.00	23000	17000	850
	E*1P19A	A80UH1E045A12	15.10	13.00	23000	17000	860
	E*1P23A	A80DF1E045A12	15.10	13.00	23000	17000	790
	E*1P23A	A80US2V070A12	15.10	13.00	23000	17000	850
	E*1P23A	A80UH1E045A12	15.10	12.50	23000	17000	850
	E*1P23A	A80DS2V070A12	15.10	13.00	23000	17000	800
	E*1P23B	A80DS2V090B16	15.10	13.00	23000	17000	850
	E*1P23B	A80UH1E070B12	15.10	13.00	23000	17000	800
	E*1P23B	A80US2V090B12	15.10	13.00	23000	17000	800
	E*1P23B	A80US2V090B16	15.10	12.50	23000	17000	800
	E*1P23B	A95UH1E070B12	15.10	12.50	23000	17000	800
	E*1P23B	A95UH2E070B12	15.10	12.50	23000	17000	800
	E*1P23B	A96DS2V045B12	15.10	12.50	23000	17000	850
	E*1P23B	A96DF2V070B16	14.50	12.20	23000	17000	850
	E*1P23B	A96US2V045B12	15.10	12.50	23000	17000	850
	E*1P23B	A96US2V070B12	15.10	13.00	23000	17000	850
	E*1P23B	A97DSMV070B12	15.10	13.00	23000	17000	850
	E*1P23B	A97USMV070B12	15.10	13.00	23000	17000	800
	E*1P23B	A80DF1E070B12	15.10	13.00	23000	17000	850

Note:

1 Certified in accordance with Unitary Air Conditioner Certification Program, which is based on AHRI Standard 210/240

2 Required to achieve AHRI rating. If NA (Not Applicable) is in the piston column, then TXV is required.

3 A blower time delay relay is required to achieve AHRI rating. This feature is standard on all Allied Air Enterprises furnace and AH products.

COOLING PERFORMANCE WITH AIR HANDLERS AND FURNACES

Outdoor Model	Indoor Model	Variable Speed Furnace	SEER	EER	AHRI Rated Capacity ¹ BTUH	Rated Sensible Capacity BTUH	CFM
	Evap. Coil or Air Handler ³						
4SCU14LER24P-7	E*1P23B	EFV08BC	15.10	12.50	23000	17000	850
	E*1P24A	A80DF1E045A12	14.50	12.20	23000	17000	790
	E*1P24A	A80UH1E045A12	14.50	12.20	23000	17000	850
	E*1P24A	A80US2V070A12	14.50	12.20	23000	17000	850
	E*1P24A	A80DS2V070A12	14.50	12.20	23000	17000	800
	E*1P24B	A80DS2V090B16	14.50	12.20	23000	17000	850
	E*1P24B	A80US2V090B12	15.10	12.50	23000	17000	800
	E*1P24B	A80US2V090B16	14.50	12.20	23000	17000	800
	E*1P24B	A95UH1E070B12	14.50	12.20	23000	17000	800
	E*1P24B	A95UH2E070B12	14.50	12.20	23000	17000	800
	E*1P24B	A96DS2V045B12	14.50	12.20	23000	17000	850
	E*1P24B	A96DF2V070B16	14.50	12.20	23000	17000	850
	E*1P24B	A96US2V045B12	14.50	12.20	23000	17000	850
	E*1P24B	A96US2V070B12	14.50	12.20	23000	17000	850
	E*1P24B	A97DSMV070B12	14.50	12.20	23000	17000	850
	E*1P24B	A97USMV070B12	15.10	12.50	23000	17000	800
	E*1P24B	A80UH1E070B12	14.50	12.20	23000	17000	800
	E*1P24B	A80DF1E070B12	14.50	12.20	23000	17000	850
	E*1P24B	EFV08BC	14.50	12.20	23000	17000	850
	E*1P29A	A80DF1E045A12	15.10	13.00	23000	17000	790
	E*1P29A	A80US2V070A12	15.10	13.00	23000	17000	850
	E*1P29A	A80UH1E045A12	15.10	13.00	23000	17000	850
	E*1P29A	A80DS2V070A12	15.10	13.00	23000	17000	800
	E*1P29B	A80DS2V090B16	15.10	13.00	23000	17000	850
	E*1P29B	A80UH1E070B12	15.10	13.00	23000	17000	800
	E*1P29B	A80US2V090B12	15.10	13.00	23000	17000	800
	E*1P29B	A80US2V090B16	15.10	13.00	23000	17000	800
	E*1P29B	A95UH1E070B12	15.10	13.00	23000	17000	800
	E*1P29B	A95UH2E070B12	15.10	13.00	23000	17000	800
	E*1P29B	A96DS2V045B12	15.10	13.00	23000	17000	850
	E*1P29B	A96DF2V070B16	15.10	12.50	23000	17000	850
	E*1P29B	A96US2V045B12	15.10	13.00	23000	17000	850
E*1P29B	A96US2V070B12	15.10	13.00	23000	17000	850	
E*1P29B	A97DSMV070B12	15.10	13.00	23000	17000	850	
E*1P29B	A97USMV070B12	15.10	13.00	23000	17000	800	

Note:

¹ Certified in accordance with Unitary Air Conditioner Certification Program, which is based on AHRI Standard 210/240

² Required to achieve AHRI rating. If NA (Not Applicable) is in the piston column, then TXV is required.

³ A blower time delay relay is required to achieve AHRI rating. This feature is standard on all Allied Air Enterprises furnace and AH products.

COOLING PERFORMANCE WITH AIR HANDLERS AND FURNACES

Outdoor Model	Indoor Model	Variable Speed Furnace	SEER	EER	AHRI Rated Capacity ¹ BTUH	Rated Sensible Capacity BTUH	CFM
	Evap. Coil or Air Handler ³						
4SCU14LER24P-7	E*1P29B	A80DF1E070B12	15.10	13.00	23000	17000	850
	E*1P29B	EFV08BC	15.10	12.50	23000	17000	850
	E*1P30A	A80US2V070A12	15.10	13.00	23000	17000	850
	E*1P30A	A80DF1E045A12	15.10	13.00	23000	17000	800
	E*1P30A	A80UH1E045A12	15.10	12.50	23000	17000	850
	E*1P30A	A80DS2V070A12	15.10	12.50	23000	17000	800
	E*1P30B	A80DS2V090B16	15.10	12.50	23000	17000	850
	E*1P30B	A80UH1E070B12	15.10	13.00	23000	17000	800
	E*1P30B	A80DF1E070B12	15.10	13.00	23000	17000	850
	E*1P30B	EFV08BC	14.50	12.20	23000	17000	850
	E*1P30B	A80US2V090B12	15.10	13.00	23000	17000	800
	E*1P30B	A80US2V090B16	15.10	12.50	23000	17000	800
	E*1P30B	A95UH1E070B12	15.10	12.50	23000	17000	800
	E*1P30B	A95UH2E070B12	15.10	12.50	23000	17000	800
	E*1P30B	A96DS2V045B12	15.10	12.50	23000	17000	850
	E*1P30B	A96DF2V070B16	14.50	12.20	23000	17000	850
	E*1P30B	A96US2V045B12	15.10	12.50	23000	17000	850
	E*1P30B	A96US2V070B12	15.10	12.50	23000	17000	850
	E*1P30B	A97DSMV070B12	15.10	12.50	23000	17000	850
	E*1P30B	A97USMV070B12	15.10	13.00	23000	17000	800
	E*1P30C	A97USMV090C12	15.10	13.00	23000	17000	850
	E*1P30C	A97USMV090C16	15.10	13.00	23000	17000	850
	E*1P30C	A97DSMV090C12	15.10	13.00	23000	17000	820
	E*1P30C	A97DSMV090C16	15.10	13.00	23000	17000	850
	E*1P30C	A96US2V090C12	15.10	13.00	23000	17000	850
	E*1P36A	A80DF1E045A12	15.10	13.00	23000	17000	800
	E*1P36A	A80UH1E045A12	15.10	13.00	23000	17000	850
	E*1P36A	A80US2V070A12	16.00	13.00	23000	17000	850
	E*1P36A	A80DS2V070A12	15.10	13.00	23000	17000	800
	E*1P36B	A80DS2V090B16	15.10	13.00	23000	17000	850
	E*1P36B	A97DSMV070B12	15.10	13.00	23000	17000	850
	E*1P36B	A97USMV070B12	15.10	13.00	23000	17000	800
E*1P36B	A80US2V090B12	16.00	13.00	23000	17000	820	
E*1P36B	A80US2V090B16	15.10	13.00	23000	17000	800	
E*1P36B	A95DF1E045B12	14.00	12.20	23000	17000	850	

Note:

1 Certified in accordance with Unitary Air Conditioner Certification Program, which is based on AHRI Standard 210/240

2 Required to achieve AHRI rating. If NA (Not Applicable) is in the piston column, then TXV is required.

3 A blower time delay relay is required to achieve AHRI rating. This feature is standard on all Allied Air Enterprises furnace and AH products.

COOLING PERFORMANCE WITH AIR HANDLERS AND FURNACES

Outdoor Model	Indoor Model	Variable Speed Furnace	SEER	EER	AHRI Rated Capacity ¹ BTUH	Rated Sensible Capacity BTUH	CFM
	Evap. Coil or Air Handler ³						
4SCU14LER24P-7	E*1P36B	A95DF1E070B16	14.00	12.20	23000	17000	850
	E*1P36B	A95UH1E045B12	14.00	12.20	23000	17000	850
	E*1P36B	A95UH1E070B12	15.10	13.00	23000	17000	800
	E*1P36B	A95DF2E045B12	14.00	12.20	23000	17000	850
	E*1P36B	A95DF2E070B16	14.00	12.20	23000	17000	850
	E*1P36B	A95UH2E045B12	14.00	12.20	23000	17000	850
	E*1P36B	A95UH2E070B12	15.10	13.00	23000	17000	800
	E*1P36B	A96DS2V045B12	15.10	13.00	23000	17000	850
	E*1P36B	A96DF2V070B16	15.10	12.50	23000	17000	850
	E*1P36B	A96US2V045B12	15.10	13.00	23000	17000	850
	E*1P36B	A96US2V070B12	15.10	13.00	23000	17000	850
	E*1P36B	A80UH1E070B12	15.10	13.00	23000	17000	820
	E*1P36B	A80DF1E070B12	15.10	13.00	23000	17000	850
	E*1P36B	EFV08BC	15.10	13.00	23000	17000	850
	E*1P36C	A96US2V090C12	16.00	13.00	23000	17000	850
	E*1P36C	A97USMV090C12	16.00	13.00	23000	17000	850
	E*1P36C	A97USMV090C16	15.10	13.00	23000	17000	850
	E*1P36C	A97DSMV090C12	16.00	13.00	23000	17000	820
	E*1P36C	A97DSMV090C16	15.10	13.00	23000	17000	850
	4SCU14LE130P-7	BC*3M30C****P		14.00	12.20	28000	21000
BCE3M30E****X			15.10	13.00	28000	21000	1000
BCS2M36V++++P			16.00	13.00	28000	21000	1000
E*1P29A		A80DF1E045A12	15.10	13.00	28000	21000	1000
E*1P29A		A80UH1E045A12	15.10	13.00	28000	21000	1010
E*1P29A		A80DS2V070A12	15.10	13.00	28000	21000	1010
E*1P29A		A80US2V070A12	15.10	13.00	28000	21000	1005
E*1P29B		A80US2V090B16	15.10	13.00	28000	21000	1030
E*1P29B		A95DF1E045B12	15.10	13.00	28000	21000	1025
E*1P29B		A95DF1E070B16	15.10	13.00	28000	21000	1015
E*1P29B		A95DF1E090B16	15.10	13.00	28000	21000	1045
E*1P29B		A95UH1E045B12	15.10	13.00	28000	21000	1015
E*1P29B		A95UH1E070B12	15.10	13.00	28000	21000	995
E*1P29B		A95UH1E090B16	15.10	13.00	28000	21000	1005
E*1P29B		A95DF2E045B12	15.10	13.00	28000	21000	985
E*1P29B		A95DF2E070B16	15.10	13.00	28000	21000	1015

Note:

¹ Certified in accordance with Unitary Air Conditioner Certification Program, which is based on AHRI Standard 210/240

² Required to achieve AHRI rating. If NA (Not Applicable) is in the piston column, then TXV is required.

³ A blower time delay relay is required to achieve AHRI rating. This feature is standard on all Allied Air Enterprises furnace and AH products.

COOLING PERFORMANCE WITH AIR HANDLERS AND FURNACES

Outdoor Model	Indoor Model	Variable Speed Furnace	SEER	EER	AHRI Rated Capacity ¹ BTUH	Rated Sensible Capacity BTUH	CFM
	Evap. Coil or Air Handler ³						
4SCU14LE130P-7	E*1P29B	A95DF2E090B16	15.10	13.00	28000	21000	990
	E*1P29B	A95UH2E045B12	15.10	13.00	28000	21000	1015
	E*1P29B	A95UH2E070B12	15.10	13.00	28000	21000	995
	E*1P29B	A96DS2V045B12	15.10	13.00	28000	21000	965
	E*1P29B	A96DF2V070B16	15.10	13.00	28000	21000	995
	E*1P29B	A96US2V045B12	15.10	13.00	28000	21000	985
	E*1P29B	A96US2V070B12	15.10	13.00	28000	21000	960
	E*1P29B	A97DSMV070B12	15.10	13.00	28000	21000	985
	E*1P29B	A97USMV070B12	15.10	13.00	28000	21000	1050
	E*1P29B	A80DS2V090B16	15.10	13.00	28000	21000	930
	E*1P29B	A80UH1E070B12	15.10	13.00	28000	21000	1015
	E*1P29B	A80UH1E090B16	15.10	13.00	28000	21000	1010
	E*1P29B	A80DF1E070B12	15.10	13.00	28000	21000	1000
	E*1P29B	A80DF1E090B16	15.10	13.00	28000	21000	1005
	E*1P29B	EFV012BC	14.50	12.20	28000	21000	1000
	E*1P29B	A80US2V090B12	15.10	13.00	28000	21000	1000
	E*1P29B	A95UH2E090B16	15.10	13.00	28000	21000	1000
	E*1P29B	EFV12BC	14.50	12.20	28000	21000	1000
	E*1P36A	A80DS2V070A12	15.10	13.00	28000	21000	1010
	E*1P36A	A80US2V070A12	16.00	13.00	28000	21000	1005
	E*1P36A	A80DF1E045A12	15.10	13.00	28000	21000	1000
	E*1P36A	A80UH1E045A12	15.10	13.00	28000	21000	1010
	E*1P36B	A80UH1E070B12	16.00	13.00	28000	21000	1015
	E*1P36B	A80UH1E090B16	16.00	13.00	28000	21000	1010
	E*1P36B	A80DF1E070B12	16.00	13.00	28000	21000	1000
	E*1P36B	A80DF1E090B16	16.00	13.00	28000	21000	1005
	E*1P36B	A80US2V090B16	16.00	13.00	28000	21000	1030
	E*1P36B	A95DF1E045B12	15.10	13.00	28000	21000	1025
	E*1P36B	A95DF1E070B16	15.10	13.00	28000	21000	1015
	E*1P36B	A95DF1E090B16	15.10	13.00	28000	21000	1045
	E*1P36B	A95UH1E045B12	15.10	13.00	28000	21000	1015
	E*1P36B	A95UH1E070B12	15.10	13.00	28000	21000	995
	E*1P36B	A95UH1E090B16	15.10	13.00	28000	21000	1005
	E*1P36B	A95DF2E045B12	15.10	13.00	28000	21000	985
	E*1P36B	A95DF2E070B16	15.10	13.00	28000	21000	1015

Note:

1 Certified in accordance with Unitary Air Conditioner Certification Program, which is based on AHRI Standard 210/240

2 Required to achieve AHRI rating. If NA (Not Applicable) is in the piston column, then TXV is required.

3 A blower time delay relay is required to achieve AHRI rating. This feature is standard on all Allied Air Enterprises furnace and AH products.

COOLING PERFORMANCE WITH AIR HANDLERS AND FURNACES

Outdoor Model	Indoor Model	Variable Speed Furnace	SEER	EER	AHRI Rated Capacity ¹ BTUH	Rated Sensible Capacity BTUH	CFM
	Evap. Coil or Air Handler ³						
4SCU14LE130P-7	E*1P36B	A95DF2E090B16	15.10	13.00	28000	21000	990
	E*1P36B	A95UH2E045B12	15.10	13.00	28000	21000	1015
	E*1P36B	A95UH2E070B12	15.10	13.00	28000	21000	995
	E*1P36B	A95UH2E090B16	14.50	12.20	28000	21000	1005
	E*1P36B	A96DS2V045B12	15.10	13.00	28000	21000	965
	E*1P36B	A96DF2V070B16	15.10	13.00	28000	21000	995
	E*1P36B	A96US2V045B12	15.10	13.00	28000	21000	985
	E*1P36B	A96US2V070B12	16.00	13.00	28000	21000	960
	E*1P36B	A80DS2V090B16	16.00	13.00	28000	21000	930
	E*1P36B	A97DSMV070B12	16.00	13.00	28000	21000	985
	E*1P36B	A97USMV070B12	15.10	13.00	28000	21000	1050
	E*1P36B	A80US2V090B12	16.00	13.00	28000	21000	1000
	E*1P36B	EFV12BC	14.50	12.20	28000	21000	1000
	E*1P36C	A97USMV090C12	15.10	13.00	28000	21000	1040
	E*1P36C	A97USMV090C16	15.10	13.00	28000	21000	1040
	E*1P36C	A97DSMV090C12	16.00	13.00	28000	21000	1000
	E*1P36C	A97DSMV090C16	16.00	13.00	28000	21000	1000
	E*1P36C	A96US2V090C12	16.00	13.00	28000	21000	1015
	E*1P36C	A96US2V090C16	16.00	13.00	28000	21000	955
	E*1P48B	A97DSMV070B12	15.10	13.00	28000	21000	985
	E*1P48B	EFV012BC	14.50	12.20	28000	21000	1000
	E*1P48B	A80DF1E070B12	15.10	13.00	28000	21000	1000
	E*1P48B	A80DF1E090B16	15.10	13.00	28000	21000	1005
	E*1P48B	A80UH1E070B12	15.10	13.00	28000	21000	1015
	E*1P48B	A80UH1E090B16	15.10	13.00	28000	21000	1010
	E*1P48B	A80DS2V090B16	15.10	13.00	28000	21000	930
	E*1P48B	A80US2V090B16	15.10	13.00	28000	21000	1030
	E*1P48B	A95DF1E045B12	15.10	13.00	28000	21000	1025
	E*1P48B	A95DF1E070B16	15.10	13.00	28000	21000	1015
	E*1P48B	A95DF1E090B16	15.10	13.00	28000	21000	1045
	E*1P48B	A95UH1E045B12	15.10	13.00	28000	21000	1015
	E*1P48B	A95UH1E070B12	15.10	13.00	28000	21000	995
	E*1P48B	A95UH1E090B16	15.10	13.00	28000	21000	1005
E*1P48B	A95DF2E045B12	15.10	13.00	28000	21000	985	
E*1P48B	A95DF2E070B16	15.10	13.00	28000	21000	1015	

Note:

1 Certified in accordance with Unitary Air Conditioner Certification Program, which is based on AHRI Standard 210/240

2 Required to achieve AHRI rating. If NA (Not Applicable) is in the piston column, then TXV is required.

3 A blower time delay relay is required to achieve AHRI rating. This feature is standard on all Allied Air Enterprises furnace and AH products.

COOLING PERFORMANCE WITH AIR HANDLERS AND FURNACES

Outdoor Model	Indoor Model	Variable Speed Furnace	SEER	EER	AHRI Rated Capacity ¹ BTUH	Rated Sensible Capacity BTUH	CFM
	Evap. Coil or Air Handler ³						
4SCU14LE130P-7	E*1P48B	A95DF2E090B16	15.10	13.00	28000	21000	990
	E*1P48B	A95UH2E045B12	15.10	13.00	28000	21000	1015
	E*1P48B	A95UH2E070B12	15.10	13.00	28000	21000	995
	E*1P48B	A96DS2V045B12	15.10	13.00	28000	21000	965
	E*1P48B	A96DF2V070B16	15.10	13.00	28000	21000	995
	E*1P48B	A96US2V045B12	15.10	13.00	28000	21000	985
	E*1P48B	A96US2V070B12	15.10	13.00	28000	21000	960
	E*1P48B	A80US2V090B12	16.00	13.00	28000	21000	1000
	E*1P48B	A95UH2E090B16	15.10	13.00	28000	21000	1000
	E*1P48B	EFV12BC	14.50	12.20	28000	21000	1000
	E*1P48B	A97USMV070B12	15.10	13.00	28000	21000	1050
	E*1P48C	A97USMV090C12	15.10	13.00	28000	21000	1040
	E*1P48C	A97USMV090C16	15.10	13.00	28000	21000	1040
	E*1P48C	A96US2V090C12	15.10	13.00	28000	21000	1015
	E*1P48C	A96US2V090C16	16.00	13.00	28000	21000	955
	E*1P48C	A97DSMV090C12	15.10	13.00	28000	21000	1000
	E*1P48C	A97DSMV090C16	15.10	13.00	28000	21000	1000
	4SCU14LER30P-7	BC*3M30C****P		14.00	12.20	28000	21000
BCE3M30E****X			15.10	13.00	28000	21000	1000
BCS2M36V****P			16.00	13.00	28000	21000	1000
E*1P19A		A80DF1E045A12	14.25	12.00	28000	21000	1000
E*1P19A		A80UH1E045A12	14.50	12.00	28000	21000	1000
E*1P19A		A80DS2V070A12	14.50	12.00	28000	21000	1000
E*1P19A		A80US2V070A12	14.50	12.00	28000	21000	1000
E*1P23A		A80DF1E045A12	14.50	12.00	28000	21000	1000
E*1P23A		A80UH1E045A12	14.50	12.00	28000	21000	1000
E*1P23A		A80DS2V070A12	15.10	13.00	28000	21000	1000
E*1P23A		A80US2V070A12	15.10	13.00	28000	21000	1000
E*1P29A		A80DF1E045A12	15.10	13.00	28000	21000	1000
E*1P29A		A80UH1E045A12	15.10	13.00	28000	21000	1000
E*1P29A		A80DS2V070A12	15.10	13.00	28000	21000	1000
E*1P29A		A80US2V070A12	15.10	13.00	28000	21000	1000
E*1P29B		A80US2V090B12	15.10	13.00	28000	21000	1000
E*1P29B		A80US2V090B16	15.10	13.00	28000	21000	1000
E*1P29B		A95DF1E045B12	15.10	13.00	28000	21000	1000

Note:

¹ Certified in accordance with Unitary Air Conditioner Certification Program, which is based on AHRI Standard 210/240

² Required to achieve AHRI rating. If NA (Not Applicable) is in the piston column, then TXV is required.

³ A blower time delay relay is required to achieve AHRI rating. This feature is standard on all Allied Air Enterprises furnace and AH products.

COOLING PERFORMANCE WITH AIR HANDLERS AND FURNACES

Outdoor Model	Indoor Model	Variable Speed Furnace	SEER	EER	AHRI Rated Capacity ¹ BTUH	Rated Sensible Capacity BTUH	CFM	
	Evap. Coil or Air Handler ³							
4SCU14LER30P-7	E*1P29B	A95DF1E070B16	15.10	13.00	28000	21000	1000	
	E*1P29B	A95DF1E090B16	15.10	13.00	28000	21000	1000	
	E*1P29B	A95UH1E045B12	15.10	13.00	28000	21000	1000	
	E*1P29B	A95UH1E070B12	15.10	13.00	28000	21000	1000	
	E*1P29B	A95UH1E090B16	15.10	13.00	28000	21000	1000	
	E*1P29B	A95DF2E045B12	15.10	13.00	28000	21000	980	
	E*1P29B	A95DF2E070B16	15.10	13.00	28000	21000	1000	
	E*1P29B	A95DF2E090B16	15.10	13.00	28000	21000	990	
	E*1P29B	A95UH2E045B12	15.10	13.00	28000	21000	1000	
	E*1P29B	A95UH2E070B12	15.10	13.00	28000	21000	1000	
	E*1P29B	A95UH2E090B16	15.10	13.00	28000	21000	1000	
	E*1P29B	A96DS2V045B12	15.10	13.00	28000	21000	960	
	E*1P29B	A96DF2V070B16	15.10	13.00	28000	21000	1000	
	E*1P29B	A96US2V045B12	15.10	13.00	28000	21000	980	
	E*1P29B	A96US2V070B12	15.10	13.00	28000	21000	960	
	E*1P29B	A97DSMV070B12	15.10	13.00	28000	21000	980	
	E*1P29B	A97USMV070B12	15.10	13.00	28000	21000	1000	
	E*1P29B	A80DS2V090B16	15.10	13.00	28000	21000	930	
	E*1P29B	A80UH1E070B12	15.10	13.00	28000	21000	1000	
	E*1P29B	A80UH1E090B16	15.10	13.00	28000	21000	1000	
	E*1P29B	A80DF1E070B12	15.10	13.00	28000	21000	1000	
	E*1P29B	A80DF1E090B16	15.10	13.00	28000	21000	1000	
	E*1P29B	EFV12BC		14.50	12.20	28000	21000	1000
	E*1P30A	A80UH1E045A12		14.50	12.20	28000	21000	1000
	E*1P30A	A80DS2V070A12		15.10	13.00	28000	21000	1000
	E*1P30A	A80DF1E045A12		14.50	12.20	28000	21000	1000
	E*1P30A	A80US2V070A12		15.10	13.00	28000	21000	1000
	E*1P30B	A80US2V090B12		15.10	13.00	28000	21000	1000
	E*1P30B	A80US2V090B16		15.10	13.00	28000	21000	1000
	E*1P30B	A95DF1E045B12		14.50	12.20	28000	21000	1000
	E*1P30B	A95DF1E070B16		14.50	12.20	28000	21000	1000
	E*1P30B	A95DF1E090B16		14.50	12.20	28000	21000	1000
	E*1P30B	A95UH1E045B12		14.50	12.20	28000	21000	1000
	E*1P30B	A95UH1E070B12		14.50	12.20	28000	21000	1000
E*1P30B	A95UH1E090B16		14.50	12.20	28000	21000	1000	

Note:

¹ Certified in accordance with Unitary Air Conditioner Certification Program, which is based on AHRI Standard 210/240

² Required to achieve AHRI rating. If NA (Not Applicable) is in the piston column, then TXV is required.

³ A blower time delay relay is required to achieve AHRI rating. This feature is standard on all Allied Air Enterprises furnace and AH products.

COOLING PERFORMANCE WITH AIR HANDLERS AND FURNACES

Outdoor Model	Indoor Model	Variable Speed Furnace	SEER	EER	AHRI Rated Capacity ¹ BTUH	Rated Sensible Capacity BTUH	CFM
	Evap. Coil or Air Handler ³						
4SCU14LER30P-7	E*1P30B	A95DF2E045B12	14.50	12.20	28000	21000	980
	E*1P30B	A95DF2E070B16	14.50	12.20	28000	21000	1000
	E*1P30B	A95DF2E090B16	14.50	12.20	28000	21000	990
	E*1P30B	A95UH2E045B12	14.50	12.20	28000	21000	1000
	E*1P30B	A95UH2E070B12	14.50	12.20	28000	21000	1000
	E*1P30B	A95UH2E090B16	14.50	12.20	28000	21000	1000
	E*1P30B	A96DS2V045B12	15.10	13.00	28000	21000	960
	E*1P30B	A96DF2V070B16	14.50	12.20	28000	21000	1000
	E*1P30B	A96US2V045B12	15.10	13.00	28000	21000	980
	E*1P30B	A96US2V070B12	15.10	13.00	28000	21000	960
	E*1P30B	A97DSMV070B12	15.10	13.00	28000	21000	980
	E*1P30B	A97USMV070B12	14.50	12.20	28000	21000	1000
	E*1P30B	A80DF1E070B12	15.10	13.00	28000	21000	1000
	E*1P30B	A80DF1E090B16	15.10	13.00	28000	21000	1000
	E*1P30B	EFV12BC	14.25	12.20	28000	21000	1000
	E*1P30B	A80DS2V090B16	15.10	13.00	28000	21000	930
	E*1P30B	A80UH1E070B12	15.10	13.00	28000	21000	1000
	E*1P30B	A80UH1E090B16	15.10	13.00	28000	21000	1000
	E*1P36A	A80DF1E045A12	15.10	13.00	28000	21000	1000
	E*1P36A	A80UH1E045A12	15.10	13.00	28000	21000	1000
	E*1P36A	A80DS2V070A12	15.10	13.00	28000	21000	1000
	E*1P36A	A80US2V070A12	16.00	13.00	28000	21000	1000
	E*1P36B	A80US2V090B12	16.00	13.00	28000	21000	1000
	E*1P36B	A80US2V090B16	16.00	13.00	28000	21000	1000
	E*1P36B	A95DF1E045B12	15.10	13.00	28000	21000	1000
	E*1P36B	A95DF1E070B16	15.10	13.00	28000	21000	1000
	E*1P36B	A95DF1E090B16	15.10	13.00	28000	21000	1000
	E*1P36B	A95UH1E045B12	15.10	13.00	28000	21000	1000
	E*1P36B	A95UH1E070B12	15.10	13.00	28000	21000	1000
	E*1P36B	A95UH1E090B16	15.10	13.00	28000	21000	1000
	E*1P36B	A95DF2E045B12	15.10	13.00	28000	21000	980
	E*1P36B	A95DF2E070B16	15.10	13.00	28000	21000	1000
	E*1P36B	A95DF2E090B16	15.10	13.00	28000	21000	990
E*1P36B	A95UH2E045B12	15.10	13.00	28000	21000	1015	
E*1P36B	A95UH2E070B12	15.10	13.00	28000	21000	995	

Note:

1 Certified in accordance with Unitary Air Conditioner Certification Program, which is based on AHRI Standard 210/240

2 Required to achieve AHRI rating. If NA (Not Applicable) is in the piston column, then TXV is required.

3 A blower time delay relay is required to achieve AHRI rating. This feature is standard on all Allied Air Enterprises furnace and AH products.

COOLING PERFORMANCE WITH AIR HANDLERS AND FURNACES

Outdoor Model	Indoor Model	Variable Speed Furnace	SEER	EER	AHRI Rated Capacity ¹ BTUH	Rated Sensible Capacity BTUH	CFM
	Evap. Coil or Air Handler ³						
4SCU14LER30P-7	E*1P36B	A95UH2E090B16	14.50	12.20	28000	21000	1000
	E*1P36B	A96DS2V045B12	15.10	13.00	28000	21000	960
	E*1P36B	A96DF2V070B16	15.10	13.00	28000	21000	1000
	E*1P36B	A96US2V045B12	15.10	13.00	28000	21000	980
	E*1P36B	A96US2V070B12	16.00	13.00	28000	21000	960
	E*1P36B	A80DS2V090B16	16.00	13.00	28000	21000	930
	E*1P36B	A97DSMV070B12	15.10	13.00	28000	21000	1000
	E*1P36B	A80UH1E070B12	16.00	13.00	28000	21000	1000
	E*1P36B	A80UH1E090B16	16.00	13.00	28000	21000	1000
	E*1P36B	A80DF1E070B12	16.00	13.00	28000	21000	1000
	E*1P36B	A80DF1E090B16	16.00	13.00	28000	21000	1000
	E*1P36B	EFV12BC	14.50	12.20	28000	21000	1000
	E*1P36B	A97USMV070B12	15.10	13.00	28000	21000	1000
	E*1P36C	A97USMV090C12	15.10	13.00	28000	21000	1000
	E*1P36C	A97USMV090C16	15.10	13.00	28000	21000	1000
	E*1P36C	A97DSMV090C12	16.00	13.00	28000	21000	1000
	E*1P36C	A97DSMV090C16	16.00	13.00	28000	21000	1000
	E*1P36C	A96US2V090C12	16.00	13.00	28000	21000	1000
	E*1P36C	A96US2V090C16	16.00	13.00	28000	21000	1000
	E*1P48B	A97USMV070B12	15.10	13.00	28000	21000	1000
	E*1P48B	EFV12BC	14.50	12.20	28000	21000	1000
	E*1P48B	A80DF1E070B12	15.10	13.00	28000	21000	1000
	E*1P48B	A80DF1E090B16	15.10	13.00	28000	21000	1000
	E*1P48B	A80UH1E070B12	15.10	13.00	28000	21000	1000
	E*1P48B	A80UH1E090B16	15.10	13.00	28000	21000	1000
	E*1P48B	A80DS2V090B16	15.10	13.00	28000	21000	930
	E*1P48B	A80US2V090B12	16.00	13.00	28000	21000	1000
	E*1P48B	A80US2V090B16	15.10	13.00	28000	21000	1000
	E*1P48B	A95DF1E045B12	15.10	13.00	28000	21000	1000
	E*1P48B	A95DF1E070B16	15.10	13.00	28000	21000	1000
	E*1P48B	A95DF1E090B16	15.10	13.00	28000	21000	1000
	E*1P48B	A95UH1E045B12	15.10	13.00	28000	21000	1000
	E*1P48B	A95UH1E070B12	15.10	13.00	28000	21000	1000
	E*1P48B	A95UH1E090B16	15.10	13.00	28000	21000	1000
	E*1P48B	A95DF2E045B12	15.10	13.00	28000	21000	980

Note:

¹ Certified in accordance with Unitary Air Conditioner Certification Program, which is based on AHRI Standard 210/240

² Required to achieve AHRI rating. If NA (Not Applicable) is in the piston column, then TXV is required.

³ A blower time delay relay is required to achieve AHRI rating. This feature is standard on all Allied Air Enterprises furnace and AH products.

COOLING PERFORMANCE WITH AIR HANDLERS AND FURNACES

Outdoor Model	Indoor Model	Variable Speed Furnace	SEER	EER	AHRI Rated Capacity ¹ BTUH	Rated Sensible Capacity BTUH	CFM
	Evap. Coil or Air Handler ³						
4SCU14LER30P-7	E*1P48B	A95DF2E070B16	15.10	13.00	28000	21000	1000
	E*1P48B	A95DF2E090B16	15.10	13.00	28000	21000	1000
	E*1P48B	A95UH2E045B12	15.10	13.00	28000	21000	1000
	E*1P48B	A95UH2E070B12	15.10	13.00	28000	21000	1000
	E*1P48B	A95UH2E090B16	15.10	13.00	28000	21000	1000
	E*1P48B	A96DS2V045B12	15.10	13.00	28000	21000	960
	E*1P48B	A96DF2V070B16	15.10	13.00	28000	21000	1000
	E*1P48B	A96US2V045B12	15.10	13.00	28000	21000	980
	E*1P48B	A96US2V070B12	15.10	13.00	28000	21000	960
	E*1P48B	A97DSMV070B12	15.10	13.00	28000	21000	980
	E*1P48C	A97DSMV090C12	15.10	13.00	28000	21000	1000
	E*1P48C	A97DSMV090C16	15.10	13.00	28000	21000	1000
	E*1P48C	A96US2V090C12	15.10	13.00	28000	21000	1000
	E*1P48C	A96US2V090C16	16.00	13.00	28000	21000	1000
	E*1P48C	A97USMV090C12	15.10	13.00	28000	21000	1000
	E*1P48C	A97USMV090C16	15.10	13.00	28000	21000	1000
4SCU14LE136P-7	BC*3M36C****P		14.00	12.20	34000	25500	1200
	BCE3M36E****X		14.00	12.20	34000	25500	1200
	BCE4M36S*		15.00	12.50	34000	25500	1200
	BCE4M48S*		16.00	13.00	34000	25500	1200
	BCS2M36V++++P		16.00	13.00	34000	25500	1200
	E*1P36A	A80US2V070A12	15.10	13.00	34000	25500	1200
	E*1P36A	A80DS2V070A12	15.10	13.00	34000	25500	1240
	E*1P36A	A80UH1E045A12	14.50	12.20	34000	25500	1230
	E*1P36B	A80UH1E090B16	15.10	13.00	34000	25500	1180
	E*1P36B	A97DSMV070B12	15.10	13.00	34000	25500	1230
	E*1P36B	A96DS2V045B12	15.10	13.00	34000	25500	1210
	E*1P36B	A96DF2V070B16	15.10	13.00	34000	25500	1230
	E*1P36B	A96US2V045B12	15.10	13.00	34000	25500	1205
	E*1P36B	A96US2V070B12	15.10	13.00	34000	25500	1215
	E*1P36B	A97USMV070B12	15.10	13.00	34000	25500	1205
	E*1P36B	A80DS2V090B16	15.10	13.00	34000	25500	1245
E*1P36B	A80US2V090B16	16.00	13.00	34000	25500	1205	
E*1P36B	A95DF1E045B12	14.50	12.20	34000	25500	1230	
E*1P36B	A95DF1E070B16	14.50	12.20	34000	25500	1220	

Note:

¹ Certified in accordance with Unitary Air Conditioner Certification Program, which is based on AHRI Standard 210/240

² Required to achieve AHRI rating. If NA (Not Applicable) is in the piston column, then TXV is required.

³ A blower time delay relay is required to achieve AHRI rating. This feature is standard on all Allied Air Enterprises furnace and AH products.

COOLING PERFORMANCE WITH AIR HANDLERS AND FURNACES

Outdoor Model	Indoor Model	Variable Speed Furnace	SEER	EER	AHRI Rated Capacity ¹ BTUH	Rated Sensible Capacity BTUH	CFM
	Evap. Coil or Air Handler ³						
4SCU14LE136P-7	E*1P36B	A80DF1E070B12	14.50	12.20	34000	25500	1220
	E*1P36B	A80DF1E090B16	15.10	13.00	34000	25500	1210
	E*1P36B	A80DF1E0110B20	16.00	13.00	34000	25500	1200
	E*1P36B	A95UH1E045B12	14.50	12.20	34000	25500	1190
	E*1P36B	A95UH1E070B12	14.50	12.20	34000	25500	1200
	E*1P36B	A95DF2E045B12	14.50	12.20	34000	25500	1185
	E*1P36B	A95DF2E070B16	14.50	12.20	34000	25500	1220
	E*1P36B	A95DF2E090C16	15.10	13.00	34000	25500	1185
	E*1P36B	A95DF2E110C20	15.10	13.00	34000	25500	1190
	E*1P36B	A95UH2E045B12	14.50	12.20	34000	25500	1190
	E*1P36B	A95UH2E070B12	14.50	12.20	34000	25500	1200
	E*1P36B	A80US2V090B12	16.00	13.00	34000	25500	1200
	E*1P36C	EFV12BC	15.10	13.00	34000	25500	1200
	E*1P36C	EFV16BC	15.10	13.00	34000	25500	1200
	E*1P36C	A95UH2E110C20	15.10	13.00	34000	25500	1195
	E*1P36C	A95UH1E090C16	15.10	13.00	34000	25500	1200
	E*1P36C	A95UH1E110C20	15.10	13.00	34000	25500	1195
	E*1P36C	A95DF1E090C16	15.10	13.00	34000	25500	1245
	E*1P36C	A95DF1E110C20	15.10	13.00	34000	25500	1190
	E*1P36C	A97USMV090C12	16.00	13.00	34000	25500	1210
	E*1P36C	A97USMV090C16	16.00	13.00	34000	25500	1235
	E*1P36C	A96US2V090C16	16.00	13.00	34000	25500	1165
	E*1P36C	A97DSMV090C16	16.00	13.00	34000	25500	1220
	E*1P36C	A80UH1E090C20	15.10	13.00	34000	25500	1180
	E*1P43B	A80DF1E070B12	14.50	12.50	34000	25500	1220
	E*1P43B	A80DF1E090B16	15.10	13.00	34000	25500	1210
	E*1P43B	A80DF1E0110B20	16.00	13.00	34000	25500	1200
	E*1P43B	A80UH1E070B12	14.50	12.20	34000	25500	1225
	E*1P43B	A80UH1E090B16	14.50	12.50	34000	25500	1180
	E*1P43B	A97USMV070B12	15.10	13.00	34000	25500	1205
	E*1P43B	A80DS2V090B16	15.10	13.00	34000	25500	1245
	E*1P43B	A80US2V090B16	16.00	13.00	34000	25500	1205
	E*1P43B	A95DF1E045B12	14.50	12.20	34000	25500	1230
	E*1P43B	A95DF1E070B16	14.50	12.20	34000	25500	1220
E*1P43B	A95UH1E045B12	14.50	12.20	34000	25500	1190	

Note:

1 Certified in accordance with Unitary Air Conditioner Certification Program, which is based on AHRI Standard 210/240

2 Required to achieve AHRI rating. If NA (Not Applicable) is in the piston column, then TXV is required.

3 A blower time delay relay is required to achieve AHRI rating. This feature is standard on all Allied Air Enterprises furnace and AH products.

COOLING PERFORMANCE WITH AIR HANDLERS AND FURNACES

Outdoor Model	Indoor Model	Variable Speed Furnace	SEER	EER	AHRI Rated Capacity ¹ BTUH	Rated Sensible Capacity BTUH	CFM
	Evap. Coil or Air Handler ³						
4SCU14LE136P-7	E*1P43B	A95UH1E070B12	14.50	12.20	34000	25500	1200
	E*1P43B	A95DF2E045B12	14.50	12.20	34000	25500	1185
	E*1P43B	A96DS2V045B12	15.10	13.00	34000	25500	1210
	E*1P43B	A96DF2V070B16	15.10	13.00	34000	25500	1230
	E*1P43B	A96US2V045B12	15.10	13.00	34000	25500	1205
	E*1P43B	A96US2V070B12	14.50	12.50	34000	25500	1215
	E*1P43B	A95UH2E045B12	14.50	12.20	34000	25500	1190
	E*1P43B	A95UH2E070B12	14.50	12.20	34000	25500	1200
	E*1P43B	A97DSMV070B12	15.10	13.00	34000	25500	1230
	E*1P43B	A80US2V090B12	16.00	13.00	34000	25500	1200
	E*1P43C	A97DSMV090C16	16.00	13.00	34000	25500	1220
	E*1P43C	A95UH2E110C20	15.10	13.00	34000	25500	1195
	E*1P43C	A96US2V090C16	16.00	13.00	34000	25500	1165
	E*1P43C	A95DF2E090C16	15.10	13.00	34000	25500	1185
	E*1P43C	A95DF2E110C20	15.10	13.00	34000	25500	1190
	E*1P43C	A95UH1E110C20	15.10	13.00	34000	25500	1195
	E*1P43C	A95DF1E090C16	15.10	13.00	34000	25500	1245
	E*1P43C	A95DF1E110C20	15.10	13.00	34000	25500	1190
	E*1P43C	EFV12BC	15.10	13.00	34000	25500	1200
	E*1P43C	EFV16BC	15.10	13.00	34000	25500	1200
	E*1P43C	A80UH1E090C20	14.50	12.50	34000	25500	1180
	E*1P43C	EFV012BC	15.10	13.00	34000	25500	1200
	E*1P43C	EFV016BC	15.10	13.00	34000	25500	1200
	4SCU14LER36P-7	BC*3M36C****P		14.00	12.20	34000	25500
BCE3M36E****X			14.00	12.20	34000	25500	1200
BCE4M36S*			15.00	12.50	34000	25500	1200
BCE4M48S*			16.00	13.00	34000	25500	1200
BCS2M36V++++P			16.00	13.00	34000	25500	1200
E*1P29B		A80DF1E070B12	14.50	12.20	34000	25500	1220
E*1P29B		A80DF1E090B16	15.10	13.00	34000	25500	1200
E*1P29B		A80DF1E0110B20	15.10	13.00	34000	25500	1200
E*1P29B		A80UH1E090B16	14.50	12.20	34000	25500	1180
E*1P29B		A80DS2V090B16	15.10	13.00	34000	25500	1240
E*1P29B		A80US2V090B12	15.10	13.00	34000	25500	1200
E*1P29B		A80US2V090B16	15.10	13.00	34000	25500	1200

Note:

1 Certified in accordance with Unitary Air Conditioner Certification Program, which is based on AHRI Standard 210/240

2 Required to achieve AHRI rating. If NA (Not Applicable) is in the piston column, then TXV is required.

3 A blower time delay relay is required to achieve AHRI rating. This feature is standard on all Allied Air Enterprises furnace and AH products.

COOLING PERFORMANCE WITH AIR HANDLERS AND FURNACES

Outdoor Model	Indoor Model	Variable Speed Furnace	SEER	EER	AHRI Rated Capacity ¹ BTUH	Rated Sensible Capacity BTUH	CFM
	Evap. Coil or Air Handler ³						
4SCU14LER36P-7	E*1P29B	A95DF1E045B12	14.25	12.20	34000	25500	1230
	E*1P29B	A95UH1E045B12	14.25	12.20	34000	25500	1190
	E*1P29B	A95UH1E070B12	14.25	12.20	34000	25500	1200
	E*1P29B	A95DF2E045B12	14.25	12.20	34000	25500	1185
	E*1P29B	A95UH2E045B12	14.50	12.20	34000	25500	1190
	E*1P29B	A95UH2E070B12	14.50	12.20	34000	25500	1200
	E*1P29B	A96DS2V045B12	14.50	12.20	34000	25500	1200
	E*1P29B	A96DF2V070B16	14.50	12.20	34000	25500	1230
	E*1P29B	A96US2V045B12	14.50	12.20	34000	25500	1200
	E*1P29B	A96US2V070B12	14.50	12.20	34000	25500	1210
	E*1P29B	A97DSMV070B12	14.50	12.20	34000	25500	1230
	E*1P29B	A97USMV070B12	14.50	12.20	34000	25500	1200
	E*1P36A	A80UH1E045A12	14.50	12.20	34000	25500	1200
	E*1P36A	A80DS2V070A12	15.10	13.00	34000	25500	1200
	E*1P36A	A80US2V070A12	15.10	13.00	34000	25500	1200
	E*1P36B	A80US2V090B12	16.00	13.00	34000	25500	1200
	E*1P36B	A80US2V090B16	16.00	13.00	34000	25500	1200
	E*1P36B	A95DF1E045B12	14.50	12.20	34000	25500	1200
	E*1P36B	A95DF1E070B16	14.50	12.20	34000	25500	1200
	E*1P36B	A95UH1E045B12	14.50	12.20	34000	25500	1200
	E*1P36B	A95UH1E070B12	14.50	12.20	34000	25500	1200
	E*1P36B	A80DS2V090B16	15.10	13.00	34000	25500	1200
	E*1P36B	A80UH1E090B16	15.10	13.00	34000	25500	1180
	E*1P36B	A80DF1E070B12	14.50	12.20	34000	25500	1200
	E*1P36B	A80DF1E090B16	15.10	13.00	34000	25500	1200
	E*1P36B	A80DF1E0110B20	16.00	13.00	34000	25500	1200
	E*1P36B	A95DF2E045B12	14.50	12.20	34000	25500	1180
	E*1P36B	A95DF2E070B16	14.50	12.20	34000	25500	1200
	E*1P36B	A95DF2E090C16	15.10	13.00	34000	25500	1180
	E*1P36B	A95DF2E110C20	15.10	13.00	34000	25500	1190
	E*1P36B	A95UH2E045B12	14.50	12.20	34000	25500	1190
	E*1P36B	A95UH2E070B12	14.50	12.20	34000	25500	1200
	E*1P36B	A96DS2V045B12	15.10	13.00	34000	25500	1200
E*1P36B	A96DF2V070B16	15.10	13.00	34000	25500	1200	
E*1P36B	A96US2V045B12	15.10	13.00	34000	25500	1200	

Note:

1 Certified in accordance with Unitary Air Conditioner Certification Program, which is based on AHRI Standard 210/240

2 Required to achieve AHRI rating. If NA (Not Applicable) is in the piston column, then TXV is required.

3 A blower time delay relay is required to achieve AHRI rating. This feature is standard on all Allied Air Enterprises furnace and AH products.

COOLING PERFORMANCE WITH AIR HANDLERS AND FURNACES

Outdoor Model	Indoor Model	Variable Speed Furnace	SEER	EER	AHRI Rated Capacity ¹ BTUH	Rated Sensible Capacity BTUH	CFM
	Evap. Coil or Air Handler ³						
4SCU14LER36P-7	E*1P36B	A96US2V070B12	15.10	13.00	34000	25500	1200
	E*1P36B	A97USMV070B12	15.10	13.00	34000	25500	1200
	E*1P36B	A97DSMV070B12	15.10	13.00	34000	25500	1200
	E*1P36C	A97DSMV090C16	16.00	13.00	34000	25500	1200
	E*1P36C	A97USMV090C12	16.00	13.00	34000	25500	1200
	E*1P36C	A97USMV090C16	16.00	13.00	34000	25500	1200
	E*1P36C	A96US2V090C16	16.00	13.00	34000	25500	1160
	E*1P36C	A95UH2E110C20	15.10	13.00	34000	25500	1200
	E*1P36C	A80UH1E090C20	15.10	13.00	34000	25500	1180
	E*1P36C	A95UH1E090C16	15.10	13.00	34000	25500	1200
	E*1P36C	A95UH1E110C20	15.10	13.00	34000	25500	1200
	E*1P36C	A95DF1E090C16	15.10	13.00	34000	25500	1200
	E*1P36C	A95DF1E110C20	15.10	13.00	34000	25500	1200
	E*1P36C	EFV12BC	15.10	13.00	34000	25500	1200
	E*1P36C	EFV16BC	15.10	13.00	34000	25500	1200
	E*1P43B	A95UH1E045B12	14.50	12.20	34000	25500	1200
	E*1P43B	A95UH1E070B12	14.50	12.20	34000	25500	1200
	E*1P43B	A80DS2V090B16	15.10	13.00	34000	25500	1200
	E*1P43B	A80US2V090B12	16.00	13.00	34000	25500	1200
	E*1P43B	A80US2V090B16	16.00	13.00	34000	25500	1200
	E*1P43B	A95DF1E045B12	14.50	12.20	34000	25500	1200
	E*1P43B	A95DF1E070B16	14.50	12.20	34000	25500	1200
	E*1P43B	A95DF2E045B12	14.50	12.20	34000	25500	1180
	E*1P43B	A95UH2E045B12	14.50	12.20	34000	25500	1190
	E*1P43B	A95UH2E070B12	14.50	12.20	34000	25500	1200
	E*1P43B	A96DS2V045B12	15.10	13.00	34000	25500	1200
	E*1P43B	A96DF2V070B16	15.10	13.00	34000	25500	1200
	E*1P43B	A96US2V045B12	15.10	13.00	34000	25500	1200
	E*1P43B	A96US2V070B12	14.50	12.50	34000	25500	1200
	E*1P43B	A97DSMV070B12	15.10	13.00	34000	25500	1200
	E*1P43B	A80DF1E070B12	14.50	12.50	34000	25500	1200
	E*1P43B	A80DF1E090B16	15.10	13.00	34000	25500	1200
	E*1P43B	A80DF1E0110B20	16.00	13.00	34000	25500	1200
	E*1P43B	A80UH1E070B12	14.50	12.20	34000	25500	1200
E*1P43B	A80UH1E090B16	14.50	12.50	34000	25500	1180	

Note:

1 Certified in accordance with Unitary Air Conditioner Certification Program, which is based on AHRI Standard 210/240

2 Required to achieve AHRI rating. If NA (Not Applicable) is in the piston column, then TXV is required.

3 A blower time delay relay is required to achieve AHRI rating. This feature is standard on all Allied Air Enterprises furnace and AH products.

COOLING PERFORMANCE WITH AIR HANDLERS AND FURNACES

Outdoor Model	Indoor Model	Variable Speed Furnace	SEER	EER	AHRI Rated Capacity ¹ BTUH	Rated Sensible Capacity BTUH	CFM
	Evap. Coil or Air Handler ³						
4SCU14LE136P-7	E*1P43B	A97USMV070B12	15.10	13.00	34000	25500	1200
	E*1P43C	A80UH1E090C20	14.50	12.50	34000	25500	1180
	E*1P43C	EFV12BC	15.10	13.00	34000	25500	1200
	E*1P43C	EFV16BC	15.10	13.00	34000	25500	1200
	E*1P43C	A97DSMV090C16	16.00	13.00	34000	25500	1200
	E*1P43C	A96US2V090C16	16.00	13.00	34000	25500	1160
	E*1P43C	A95UH2E110C20	15.10	13.00	34000	25500	1200
	E*1P43C	A95DF2E090C16	15.10	13.00	34000	25500	1180
	E*1P43C	A95DF2E110C20	15.10	13.00	34000	25500	1190
	E*1P43C	A95DF1E090C16	15.10	13.00	34000	25500	1200
	E*1P43C	A95DF1E110C20	15.10	13.00	34000	25500	1200
	E*1P43C	A95UH1E110C20	15.10	13.00	34000	25500	1200
4SCU14LE141P-4	BCE3M42C****P+H4TXV02		14.00	12.20	36000	28000	1350
	BCE3M48C****P+H4TXV02		14.50	12.20	36000	28000	1350
	BCE4M48S*		16.00	13.00	38000	28000	1400
	BCS2M42S00NA1P+A4TXV02		16.00	13.00	38000	28000	1400
	BCS2M42V00NA1P+A4TXV02		16.00	13.00	38000	28000	1400
	BCS2M48V00NA1P+A4TXV02		16.00	13.00	38000	28000	1400
	E(U,C)1P49C	A95UH2E090C16	16.00	13.00	38000	28000	1400
	E(U,C)1P62C+A4TXV02	A95UH1E090C16	16.00	13.00	38000	28000	1400
	E(U,C,H)1P49C+A4TXV02	A80DS2V110C20	15.10	12.50	38000	28000	1400
	E(U,C,H)1P49C+A4TXV02	A80US2V090C20	16.00	13.00	38000	28000	1400
	E(U,C,H)1P49C+A4TXV02	A80US2V110C20	15.10	12.50	38000	28000	1400
	E(U,C,H)1P49C+A4TXV02	A96DS2V090C20S	15.10	12.50	38000	28000	1420
	E(U,C,H)1P49C+A4TXV02	A96DS2V110C20S	15.10	12.50	38000	28000	1420
	E(U,C,H)1P49C+A4TXV02	A96US2V090C16S	15.10	12.50	38000	28000	1400
	E(U,C,H)1P49C+A4TXV02	A96US2V090C20S	15.10	12.50	38000	28000	1400
	E(U,C,H)1P49C+A4TXV02	A96US2V110C16S	15.10	12.50	38000	28000	1400
	E(U,C,H)1P49C+A4TXV02	A96US2V110C20S	15.10	12.50	38000	28000	1400
	E(U,C,H)1P49C+A4TXV02	A80DF2V110C20	15.10	12.50	38000	28000	1400
	E(U,C,H)1P49C+A4TXV02	EFV16CC	15.50	12.70	38000	28000	1400
	E(U,C,H)1P49C+A4TXV02	A80DF1E110C20	15.10	13.00	38000	28000	1400
	E(U,C,H)1P49C+A4TXV02	A80UH1E090C20*	15.10	13.00	38000	28000	1400
	E(U,C,H)1P49C+A4TXV02	A80UH1E110C20*	15.10	13.00	38000	28000	1400
	E(U,C,H)1P49C+A4TXV02	A95DF1E110C20S	15.10	12.50	38000	28000	1400
	E(U,C,H)1P49C+A4TXV02	A95DF2V090C20S	15.10	12.50	38000	28000	1420

Note:

1 Certified in accordance with Unitary Air Conditioner Certification Program, which is based on AHRI Standard 210/240

2 Required to achieve AHRI rating. If NA (Not Applicable) is in the piston column, then TXV is required.

3 A blower time delay relay is required to achieve AHRI rating. This feature is standard on all Allied Air Enterprises furnace and AH products.

COOLING PERFORMANCE WITH AIR HANDLERS AND FURNACES

Outdoor Model	Indoor Model	Variable Speed Furnace	SEER	EER	AHRI Rated Capacity ¹ BTUH	Rated Sensible Capacity BTUH	CFM
	Evap. Coil or Air Handler ³						
4SCU14LE141P-4	E(U,C,H)1P49C+A4TXV02	A95DF2V110C20S	15.10	12.50	38000	28000	1420
	E(U,C,H)1P49C+A4TXV02	A95UH1E090C16S	14.50	12.20	38000	28000	1350
	E(U,C,H)1P49C+A4TXV02	A95UH1E110C20S	15.10	12.50	38000	28000	1400
	E(U,C,H)1P49C+A4TXV02	A95UH2V090C16S	15.10	12.50	38000	28000	1400
	E(U,C,H)1P49C+A4TXV02	A95UH2V090C20S	15.10	12.50	38000	28000	1400
	E(U,C,H)1P49C+A4TXV02	A95UH2V110C16S	15.10	12.50	38000	28000	1400
	E(U,C,H)1P49C+A4TXV02	A95UH2V110C20S	15.10	12.50	38000	28000	1400
	E(U,C,H)1P49C+A4TXV02	L83B*1V112/125F20	14.50	12.50	38000	28000	1400
	E(U,C,H)1P49C+A4TXV02	L83B*1V84/95E14	14.50	12.50	38000	28000	1400
	E(U,C,H)1P49C+A4TXV02	L83UF1V112/125F20	15.10	12.50	38000	28000	1400
	E(U,C,H)1P49C+A4TXV02	L83UF1V84/95E14	15.10	12.50	38000	28000	1400
	E(U,C,H)1P49C+A4TXV02	A97DSMV090C16*	15.10	12.50	38000	28000	1400
	E(U,C,H)1P49C+A4TXV02	A97DSMV090C20*	15.10	12.50	38000	28000	1420
	E(U,C,H)1P49C+A4TXV02	A97DSMV110C20*	15.10	12.50	38000	28000	1420
	E(U,C,H)1P49C+A4TXV02	A97USMV090C16*	15.10	12.50	38000	28000	1400
	E(U,C,H)1P49C+A4TXV02	A97USMV090C20*	15.10	12.50	38000	28000	1400
	E(U,C,H)1P49C+A4TXV02	A97USMV110C20*	15.10	12.50	38000	28000	1400
	E(U,C,H)1P49C+A4TXV02	A95DF2E090C16S	15.10	12.50	38000	28000	1350
	E(U,C,H)1P49C+A4TXV02	A95DF2E110C20S	15.10	12.50	38000	28000	1400
	E(U,C,H)1P49C+A4TXV02	A95UH2E090C16S	15.10	12.50	38000	28000	1350
	E(U,C,H)1P49C+A4TXV02	A95UH2E110C20S	15.10	12.50	38000	28000	1400
	E(U,C,H)1P49C+TD1		14.00	12.20	38000	28000	1400
	E(U,C,H)1P62C+A4TXV02	EFV16CC	15.50	12.70	38000	28000	1400
	E(U,C,H)1P62C+A4TXV02	A80DF2V110C20	15.10	12.50	38000	28000	1400
	E(U,C,H)1P62C+A4TXV02	A80DF1E110C20	15.10	12.50	38000	28000	1400
	E(U,C,H)1P62C+A4TXV02	A80UH1E090C20*	15.60	13.00	38000	28000	1400
	E(U,C,H)1P62C+A4TXV02	A80UH1E110C20*	15.10	12.50	38000	28000	1400
	E(U,C,H)1P62C+A4TXV02	A95DF1E110C20S	15.10	12.50	38000	28000	1400
	E(U,C,H)1P62C+A4TXV02	A95DF2V090C20S	15.10	12.50	38000	28000	1420
	E(U,C,H)1P62C+A4TXV02	A95DF2V110C20S	15.10	12.50	38000	28000	1420
	E(U,C,H)1P62C+A4TXV02	A95UH1E090C16S	14.50	12.20	38000	28000	1350
	E(U,C,H)1P62C+A4TXV02	A95UH1E110C20S	15.10	12.50	38000	28000	1400
	E(U,C,H)1P62C+A4TXV02	A95UH2V090C16S	15.10	12.50	38000	28000	1400
	E(U,C,H)1P62C+A4TXV02	A95UH2V090C20S	15.10	12.50	38000	28000	1400
E(U,C,H)1P62C+A4TXV02	A95UH2V110C16S	15.10	12.50	38000	28000	1400	

Note:

¹ Certified in accordance with Unitary Air Conditioner Certification Program, which is based on AHRI Standard 210/240

² Required to achieve AHRI rating. If NA (Not Applicable) is in the piston column, then TXV is required.

³ A blower time delay relay is required to achieve AHRI rating. This feature is standard on all Allied Air Enterprises furnace and AH products.

COOLING PERFORMANCE WITH AIR HANDLERS AND FURNACES

Outdoor Model	Indoor Model	Variable Speed Furnace	SEER	EER	AHRI Rated Capacity ¹ BTUH	Rated Sensible Capacity BTUH	CFM	
	Evap. Coil or Air Handler ³							
4SCU14LE141P-4	E(U,C,H)1P62C+A4TXV02	A95UH2V110C20S	15.10	12.50	38000	28000	1400	
	E(U,C,H)1P62C+A4TXV02	A95DF2E090C16S	15.10	12.50	38000	28000	1350	
	E(U,C,H)1P62C+A4TXV02	A95DF2E110C20S	15.10	12.50	38000	28000	1400	
	E(U,C,H)1P62C+A4TXV02	A95UH2E090C16S	16.00	13.00	38000	28000	1350	
	E(U,C,H)1P62C+A4TXV02	A95UH2E110C20S	16.00	13.00	38000	28000	1400	
	E(U,C,H)1P62C+A4TXV02	A97DSMV090C16*	15.10	12.50	38000	28000	1400	
	E(U,C,H)1P62C+A4TXV02	A97DSMV090C20*	15.10	12.50	38000	28000	1420	
	E(U,C,H)1P62C+A4TXV02	A97DSMV110C20*	15.10	12.50	38000	28000	1420	
	E(U,C,H)1P62C+A4TXV02	A97USMV090C16*	15.10	12.50	38000	28000	1400	
	E(U,C,H)1P62C+A4TXV02	A97USMV090C20*	16.00	13.00	38000	28000	1400	
	E(U,C,H)1P62C+A4TXV02	A97USMV110C20*	15.10	12.50	38000	28000	1400	
	E(U,C,H)1P62C+A4TXV02	L83B*1V112/125F20	15.10	12.50	38000	28000	1400	
	E(U,C,H)1P62C+A4TXV02	L83B*1V84/95E14	14.50	12.50	38000	28000	1400	
	E(U,C,H)1P62C+A4TXV02	L83UF1V112/125F20	14.50	12.50	38000	28000	1400	
	E(U,C,H)1P62C+A4TXV02	L83UF1V84/95E14	15.10	12.50	38000	28000	1400	
	E(U,C,H)1P62C+A4TXV02	A96DS2V090C20S	15.10	12.50	38000	28000	1420	
	E(U,C,H)1P62C+A4TXV02	A96DS2V110C20S	15.10	12.50	38000	28000	1420	
	E(U,C,H)1P62C+A4TXV02	A96US2V090C16S	16.00	13.00	38000	28000	1400	
	E(U,C,H)1P62C+A4TXV02	A96US2V090C20S	15.10	12.50	38000	28000	1400	
	E(U,C,H)1P62C+A4TXV02	A96US2V110C16S	15.10	12.50	38000	28000	1400	
	E(U,C,H)1P62C+A4TXV02	A96US2V110C20S	15.10	12.50	38000	28000	1400	
	E(U,C,H)1P62C+A4TXV02	A80DS2V110C20	15.10	12.50	38000	28000	1400	
	E(U,C,H)1P62C+A4TXV02	A80US2V090C20	16.00	13.00	38000	28000	1400	
	E(U,C,H)1P62C+A4TXV02	A80US2V110C20	15.10	12.50	38000	28000	1400	
	E*1P49C	A95UH1E090C16	16.00	13.00	38000	28000	1400	
	E*1P49C	A80UH1E090C20	16.00	13.00	38000	28000	1370	
	E*1P49C	A80UH1E110C20	16.00	13.00	38000	28000	1370	
	E*1P62C	A80UH1E110C20	16.00	13.00	38000	28000	1370	
	4SCU14LE142P-7	BC*3M42C****P		14.00	12.20	40000	30000	1400
		BCE3M42E****X		14.50	12.20	40000	30000	1400
BCE4M48S*			15.00	12.50	40000	30000	1400	
BCS2M42V++++P			15.10	12.20	40000	30000	1400	
E*1P49C		EFV16CC	14.00	12.20	41000	30000	1400	
E*1P49C		A97USMV110C20	15.10	12.50	41000	30000	1400	
E*1P49C		A97USMV090C20	15.10	12.50	41000	30000	1400	

Note:

1 Certified in accordance with Unitary Air Conditioner Certification Program, which is based on AHRI Standard 210/240

2 Required to achieve AHRI rating. If NA (Not Applicable) is in the piston column, then TXV is required.

3 A blower time delay relay is required to achieve AHRI rating. This feature is standard on all Allied Air Enterprises furnace and AH products.

COOLING PERFORMANCE WITH AIR HANDLERS AND FURNACES

Outdoor Model	Indoor Model	Variable Speed Furnace	SEER	EER	AHRI Rated Capacity ¹ BTUH	Rated Sensible Capacity BTUH	CFM	
	Evap. Coil or Air Handler ³							
4SCU14LE141P-4	E*1P49C	A97USMV090C16	14.50	12.20	41000	30000	1400	
	E*1P49C	A97DSMV110C20	15.10	12.50	41000	30000	1400	
	E*1P49C	A97DSMV090C20	14.50	12.20	41000	30000	1400	
	E*1P49C	A97DSMV090C16	14.50	12.20	41000	30000	1400	
	E*1P49C	A96US2V110C20	15.10	12.50	41000	30000	1400	
	E*1P49C	A96US2V110C16	15.10	12.50	41000	30000	1400	
	E*1P49C	A96US2V090C20	15.10	12.50	41000	30000	1400	
	E*1P49C	A96US2V090C16	15.10	12.50	41000	30000	1400	
	E*1P49C	A95UH2E110C20	14.50	12.20	41000	30000	1400	
	E*1P49C	A95UH2E090C16	14.00	12.20	41000	30000	1400	
	E*1P49C	A95UH1E110C20	14.00	12.20	41000	30000	1400	
	E*1P49C	A95UH1E090C16	14.00	12.20	41000	30000	1400	
	E*1P49C	A96DS2V110C20	14.50	12.20	41000	30000	1400	
	E*1P49C	A96DS2V090C20	14.00	12.20	41000	30000	1400	
	E*1P49C	A95DF2E110C20	14.50	12.20	41000	30000	1400	
	E*1P49C	A95DF2E090C16	14.00	12.20	41000	30000	1400	
	E*1P49C	A95DF1E110C20	14.50	12.20	41000	30000	1400	
	E*1P49C	A95DF1E090C16	14.00	12.20	41000	30000	1400	
	E*1P49C	A80US2V110C20	15.10	12.50	41000	30000	1400	
	E*1P49C	A80US2V090C20	15.10	12.50	41000	30000	1400	
	E*1P49C	A80UH1E110C20	15.10	12.50	41000	30000	1400	
	E*1P49C	A80UH1E090C20	15.10	12.50	41000	30000	1400	
	E*1P49C	A80DS2V110C20	15.10	12.50	41000	30000	1400	
	E*1P49C	A80DF2V110C20	15.10	12.50	41000	30000	1400	
	E*1P49C	A80DF1E110C20	15.10	12.50	41000	30000	1400	
	E*1P62C	EFV16CC		14.50	12.20	41000	30000	1400
	E*1P62C	A97USMV110C20		15.10	12.50	41000	30000	1400
	E*1P62C	A97USMV090C20		15.10	12.50	41000	30000	1400
	E*1P62C	A97USMV090C16		15.10	12.50	41000	30000	1400
	E*1P62C	A97DSMV110C20		15.10	12.50	41000	30000	1400
	E*1P62C	A97DSMV090C20		14.50	12.20	41000	30000	1400
	E*1P62C	A97DSMV090C16		15.10	12.50	41000	30000	1400
	E*1P62C	A95UH2V110C20		15.10	12.50	41000	30000	1400
	E*1P62C	A95UH2V110C16		15.10	12.50	41000	30000	1400
E*1P62C	A95UH2V090C20		15.10	12.50	41000	30000	1400	

Note:

¹ Certified in accordance with Unitary Air Conditioner Certification Program, which is based on AHRI Standard 210/240

² Required to achieve AHRI rating. If NA (Not Applicable) is in the piston column, then TXV is required.

³ A blower time delay relay is required to achieve AHRI rating. This feature is standard on all Allied Air Enterprises furnace and AH products.

COOLING PERFORMANCE WITH AIR HANDLERS AND FURNACES

Outdoor Model	Indoor Model	Variable Speed Furnace	SEER	EER	AHRI Rated Capacity ¹ BTUH	Rated Sensible Capacity BTUH	CFM	
	Evap. Coil or Air Handler ³							
4SCU14LE141P-4	E*1P62C	A95UH2V090C16	15.10	12.50	41000	30000	1400	
	E*1P62C	A95UH2E110C20	15.10	12.50	41000	30000	1400	
	E*1P62C	A95UH2E090C16	14.00	12.20	41000	30000	1400	
	E*1P62C	A95UH1E110C20	14.00	12.20	41000	30000	1400	
	E*1P62C	A95UH1E090C16	14.00	12.20	41000	30000	1400	
	E*1P62C	A95DF2V110C20	14.50	12.20	41000	30000	1400	
	E*1P62C	A95DF2V090C20	14.50	12.20	41000	30000	1400	
	E*1P62C	A95DF2E110C20	15.10	12.50	41000	30000	1400	
	E*1P62C	A95DF2E090C16	14.00	12.20	41000	30000	1400	
	E*1P62C	A95DF1E110C20	15.10	12.50	41000	30000	1400	
	E*1P62C	A95DF1E090C16	14.00	12.20	41000	30000	1400	
	E*1P62C	A80US2V110C20	15.10	12.50	41000	30000	1400	
	E*1P62C	A80US2V090C20	15.10	12.50	41000	30000	1400	
	E*1P62C	A80UH1E110C20	15.10	12.50	41000	30000	1400	
	E*1P62C	A80UH1E090C20	15.10	12.50	41000	30000	1400	
	E*1P62C	A80DS2V110C20	15.10	12.50	41000	30000	1400	
	E*1P62C	A80DF2V110C20	15.10	12.50	41000	30000	1400	
	E*1P62C	A80DF1E110C20	15.10	12.50	41000	30000	1400	
	4SCU14LER42P-7	BC*3M42C***P		14.00	12.20	40000	30000	1400
		BCE3M42E****X		14.50	12.20	40000	30000	1400
BCE4M48S*			15.00	12.50	40000	30000	1400	
BCS2M42V++++P			15.10	12.20	40000	30000	1400	
E*1P43C		EFV16CC	14.25	12.20	41000	30000	1400	
E*1P43C		A97USMV110C20	14.25	12.20	41000	30000	1400	
E*1P43C		A97USMV090C20	14.25	12.20	41000	30000	1400	
E*1P43C		A97USMV090C16	14.25	12.20	41000	30000	1400	
E*1P43C		A97DSMV110C20	14.25	12.20	41000	30000	1400	
E*1P43C		A97DSMV090C20	14.25	12.20	41000	30000	1400	
E*1P43C		A97DSMV090C16	14.25	12.20	41000	30000	1400	
E*1P43C		A95UH2V110C20	15.10	13.00	41000	30000	1400	
E*1P43C		A95UH2V110C16	14.50	12.20	41000	30000	1400	
E*1P43C		A95UH2V090C20	14.50	12.20	41000	30000	1400	
E*1P43C		A95UH2V090C16	14.50	12.20	41000	30000	1400	
E*1P43C		A95UH2E110C20	14.25	12.20	41000	30000	1400	
E*1P43C		A95DF2V110C20	14.25	12.20	41000	30000	1400	
E*1P43C	A95DF2V090C20	14.25	12.20	41000	30000	1400		

Note:

1 Certified in accordance with Unitary Air Conditioner Certification Program, which is based on AHRI Standard 210/240

2 Required to achieve AHRI rating. If NA (Not Applicable) is in the piston column, then TXV is required.

3 A blower time delay relay is required to achieve AHRI rating. This feature is standard on all Allied Air Enterprises furnace and AH products.

COOLING PERFORMANCE WITH AIR HANDLERS AND FURNACES

Outdoor Model	Indoor Model	Variable Speed Furnace	SEER	EER	AHRI Rated Capacity ¹ BTUH	Rated Sensible Capacity BTUH	CFM	
	Evap. Coil or Air Handler ³							
4SCU14LER42P-7	E*1P43C	A95DF2E110C20	14.50	12.20	41000	30000	1400	
	E*1P43C	A95DF1E110C20	14.50	12.20	41000	30000	1400	
	E*1P43C	A80US2V110C20	14.50	12.20	41000	30000	1400	
	E*1P43C	A80US2V090C20	15.10	13.00	41000	30000	1400	
	E*1P43C	A80UH1E110C20	15.10	13.00	41000	30000	1400	
	E*1P43C	A80UH1E090C20	15.10	13.00	41000	30000	1400	
	E*1P43C	A80DS2V110C20	15.10	13.00	41000	30000	1400	
	E*1P43C	A80DF2V110C20	15.10	13.00	41000	30000	1400	
	E*1P43C	A80DF1E110C20	15.10	13.00	41000	30000	1400	
	E*1P49C	EFV16CC		14.00	12.20	41000	30000	1400
	E*1P49C	A97USMV110C20		15.10	12.50	41000	30000	1400
	E*1P49C	A97USMV090C20		15.10	12.50	41000	30000	1400
	E*1P49C	A97USMV090C16		14.50	12.20	41000	30000	1400
	E*1P49C	A97DSMV110C20		15.10	12.50	41000	30000	1400
	E*1P49C	A97DSMV090C20		14.50	12.20	41000	30000	1400
	E*1P49C	A97DSMV090C16		14.50	12.20	41000	30000	1400
	E*1P49C	A96US2V110C20		15.10	12.50	41000	30000	1400
	E*1P49C	A96US2V110C16		15.10	12.50	41000	30000	1400
	E*1P49C	A96US2V090C20		15.10	12.50	41000	30000	1400
	E*1P49C	A96US2V090C16		15.10	12.50	41000	30000	1400
	E*1P49C	A95UH2E110C20		14.50	12.20	41000	30000	1400
	E*1P49C	A95UH2E090C16		14.00	12.20	41000	30000	1400
	E*1P49C	A95UH1E110C20		14.00	12.20	41000	30000	1400
	E*1P49C	A95UH1E090C16		14.00	12.20	41000	30000	1400
	E*1P49C	A96DS2V110C20		14.50	12.20	41000	30000	1400
	E*1P49C	A96DS2V090C20		14.00	12.20	41000	30000	1400
	E*1P49C	A95DF2E110C20		14.50	12.20	41000	30000	1400
	E*1P49C	A95DF2E090C16		14.00	12.20	41000	30000	1400
	E*1P49C	A95DF1E110C20		14.50	12.20	41000	30000	1400
	E*1P49C	A95DF1E090C16		14.00	12.20	41000	30000	1400
	E*1P49C	A80US2V110C20		15.10	12.50	41000	30000	1400
	E*1P49C	A80US2V090C20		15.10	12.50	41000	30000	1400
	E*1P49C	A80UH1E110C20		15.10	12.50	41000	30000	1400
E*1P49C	A80UH1E090C20		15.10	12.50	41000	30000	1400	
E*1P49C	A80DS2V110C20		15.10	12.50	41000	30000	1400	

Note:

1 Certified in accordance with Unitary Air Conditioner Certification Program, which is based on AHRI Standard 210/240

2 Required to achieve AHRI rating. If NA (Not Applicable) is in the piston column, then TXV is required.

3 A blower time delay relay is required to achieve AHRI rating. This feature is standard on all Allied Air Enterprises furnace and AH products.

COOLING PERFORMANCE WITH AIR HANDLERS AND FURNACES

Outdoor Model	Indoor Model	Variable Speed Furnace	SEER	EER	AHRI Rated Capacity ¹ BTUH	Rated Sensible Capacity BTUH	CFM
	Evap. Coil or Air Handler ³						
4SCU14LER42P-7	E*1P49C	A80DF2V110C20	15.10	12.50	41000	30000	1400
	E*1P49C	A80DF1E110C20	15.10	12.50	41000	30000	1400
	E*1P62C	EFV16CC	14.50	12.20	41000	30000	1400
	E*1P62C	A97USMV110C20	15.10	12.50	41000	30000	1400
	E*1P62C	A97USMV090C20	15.10	12.50	41000	30000	1400
	E*1P62C	A97USMV090C16	15.10	12.50	41000	30000	1400
	E*1P62C	A97DSMV110C20	15.10	12.50	41000	30000	1400
	E*1P62C	A97DSMV090C20	14.50	12.20	41000	30000	1400
	E*1P62C	A97DSMV090C16	15.10	12.50	41000	30000	1400
	E*1P62C	A95UH2V110C20	15.10	12.50	41000	30000	1400
	E*1P62C	A95UH2V110C16	15.10	12.50	41000	30000	1400
	E*1P62C	A95UH2V090C20	15.10	12.50	41000	30000	1400
	E*1P62C	A95UH2V090C16	15.10	12.50	41000	30000	1400
	E*1P62C	A95UH2E110C20	15.10	12.50	41000	30000	1400
	E*1P62C	A95UH2E090C16	14.00	12.20	41000	30000	1400
	E*1P62C	A95UH1E110C20	14.00	12.20	41000	30000	1400
	E*1P62C	A95UH1E090C16	14.00	12.20	41000	30000	1400
	E*1P62C	A95DF2V110C20	14.50	12.20	41000	30000	1400
	E*1P62C	A95DF2V090C20	14.50	12.20	41000	30000	1400
	E*1P62C	A95DF2E110C20	15.10	12.50	41000	30000	1400
	E*1P62C	A95DF2E090C16	14.00	12.20	41000	30000	1400
	E*1P62C	A95DF1E110C20	15.10	12.50	41000	30000	1400
	E*1P62C	A95DF1E090C16	14.00	12.20	41000	30000	1400
	E*1P62C	A80US2V110C20	15.10	12.50	41000	30000	1400
	E*1P62C	A80US2V090C20	15.10	12.50	41000	30000	1400
	E*1P62C	A80UH1E110C20	15.10	12.50	41000	30000	1400
	E*1P62C	A80UH1E090C20	15.10	12.50	41000	30000	1400
	E*1P62C	A80DS2V110C20	15.10	12.50	41000	30000	1400
E*1P62C	A80DF2V110C20	15.10	12.50	41000	30000	1400	
E*1P62C	A80DF1E110C20	15.10	12.50	41000	30000	1400	
4SCU14LE147P-4	BCE3M48C***P+H4TXV02		15.00	12.50	46500	35000	1600
	BCE3M48E***X		16.00	13.00	46500	35000	1600
	BCE4M48S*		16.00	13.00	47000	35000	1600
	BCE4M60S*		16.00	13.00	47000	35000	1600
	BCS2M48S00NA1P+A4TXV02		16.00	13.00	47000	35000	1600
	BCS2M48V00NA1P+A4TXV02		16.00	13.00	47000	35000	1600

Note:

1 Certified in accordance with Unitary Air Conditioner Certification Program, which is based on AHRI Standard 210/240

2 Required to achieve AHRI rating. If NA (Not Applicable) is in the piston column, then TXV is required.

3 A blower time delay relay is required to achieve AHRI rating. This feature is standard on all Allied Air Enterprises furnace and AH products.

COOLING PERFORMANCE WITH AIR HANDLERS AND FURNACES

Outdoor Model	Indoor Model	Variable Speed Furnace	SEER	EER	AHRI Rated Capacity ¹ BTUH	Rated Sensible Capacity BTUH	CFM
	Evap. Coil or Air Handler ³						
4SCU14LE147P-4	E(U,C)1P62D+A4TXV02	EFV20DC	15.10	12.50	47000	35000	1600
	E(U,C)1P62D+A4TXV02	A80UH1E135D20*	15.10	12.50	47000	35000	1600
	E(U,C)1P62D+A4TXV02	A95UH1E135D20S	15.10	12.50	47000	35000	1600
	E(U,C)1P62D+A4TXV02	A95UH2V135D20S	15.10	12.50	47000	35000	1600
	E(U,C)1P62D+A4TXV02	A97USMV135D20*	15.10	12.50	47000	35000	1600
	E(U,C)1P62D+A4TXV02	A95UH2E135D20S	15.10	12.50	47000	35000	1600
	E(U,C)1P62D+A4TXV02	A80US2V135D20	15.10	12.50	47000	35000	1600
	E(U,C)1P62D+A4TXV02	A96US2V135D20S	15.10	12.50	47000	35000	1600
	E(U,C,H)1P49C+A4TXV02	A96DS2V090C20S	15.10	12.50	47000	35000	1600
	E(U,C,H)1P49C+A4TXV02	A96DS2V110C20S	15.10	12.50	47000	35000	1600
	E(U,C,H)1P49C+A4TXV02	A96US2V090C16S	15.10	12.50	47000	35000	1600
	E(U,C,H)1P49C+A4TXV02	A96US2V090C20S	15.10	12.50	47000	35000	1600
	E(U,C,H)1P49C+A4TXV02	A96US2V110C16S	16.00	12.50	47000	35000	1600
	E(U,C,H)1P49C+A4TXV02	A96US2V110C20S	15.10	12.50	47000	35000	1600
	E(U,C,H)1P49C+A4TXV02	A80DS2V110C20	16.00	13.00	47000	35000	1600
	E(U,C,H)1P49C+A4TXV02	A80US2V090C20	16.00	13.00	47000	35000	1600
	E(U,C,H)1P49C+A4TXV02	A80US2V110C20	16.00	13.00	47000	35000	1600
	E(U,C,H)1P49C+A4TXV02	A95DF2E090C16S	15.10	12.50	47000	35000	1600
	E(U,C,H)1P49C+A4TXV02	A95DF2E110C20S	14.50	12.00	47000	35000	1600
	E(U,C,H)1P49C+A4TXV02	A95UH2E090C16S	15.10	12.50	47000	35000	1600
	E(U,C,H)1P49C+A4TXV02	A95UH2E110C20S	14.50	12.00	47000	35000	1600
	E(U,C,H)1P49C+A4TXV02	A97DSMV090C16*	15.10	12.50	47000	35000	1600
	E(U,C,H)1P49C+A4TXV02	A97DSMV090C20*	15.10	12.50	47000	35000	1600
	E(U,C,H)1P49C+A4TXV02	A97DSMV110C20*	15.10	12.50	47000	35000	1600
	E(U,C,H)1P49C+A4TXV02	A97USMV090C16*	15.10	12.50	47000	35000	1600
	E(U,C,H)1P49C+A4TXV02	A97USMV090C20*	15.10	12.50	47000	35000	1600
	E(U,C,H)1P49C+A4TXV02	A97USMV110C20*	16.00	13.00	47000	35000	1600
	E(U,C,H)1P49C+A4TXV02	L83B*1V112/125F20	14.50	12.00	47000	35000	1600
	E(U,C,H)1P49C+A4TXV02	A80DF1E110C20	16.00	13.00	47000	35000	1600
	E(U,C,H)1P49C+A4TXV02	A80UH1E090C20*	16.00	13.00	47000	35000	1550
	E(U,C,H)1P49C+A4TXV02	A95DF1E110C20S	16.00	13.00	47000	35000	1600
	E(U,C,H)1P49C+A4TXV02	A95DF2V090C20S	15.10	12.50	47000	35000	1600
	E(U,C,H)1P49C+A4TXV02	A95DF2V110C20S	15.10	12.50	47000	35000	1600
	E(U,C,H)1P49C+A4TXV02	A95UH1E110C20S	16.00	13.00	47000	35000	1550
	E(U,C,H)1P49C+A4TXV02	A95UH2V090C16S	15.10	12.50	47000	35000	1600

Note:

¹ Certified in accordance with Unitary Air Conditioner Certification Program, which is based on AHRI Standard 210/240

² Required to achieve AHRI rating. If NA (Not Applicable) is in the piston column, then TXV is required.

³ A blower time delay relay is required to achieve AHRI rating. This feature is standard on all Allied Air Enterprises furnace and AH products.

COOLING PERFORMANCE WITH AIR HANDLERS AND FURNACES

Outdoor Model	Indoor Model	Variable Speed Furnace	SEER	EER	AHRI Rated Capacity ¹ BTUH	Rated Sensible Capacity BTUH	CFM
	Evap. Coil or Air Handler ³						
4SCU14LE147P-4	E(U,C,H)1P49C+A4TXV02	A95UH2V090C20S	15.10	12.50	47000	35000	1600
	E(U,C,H)1P49C+A4TXV02	A95UH2V110C16S	16.00	12.50	47000	35000	1600
	E(U,C,H)1P49C+A4TXV02	A95UH2V110C20S	15.10	12.50	47000	35000	1600
	E(U,C,H)1P49C+A4TXV02	EFV16CC	15.10	12.50	47000	35000	1600
	E(U,C,H)1P62C+A4TXV02	EFV16CC	15.50	12.50	47000	35000	1600
	E(U,C,H)1P62C+A4TXV02	A80DF1E110C20	16.00	13.00	47000	35000	1600
	E(U,C,H)1P62C+A4TXV02	A80UH1E090C20*	16.00	13.00	47000	35000	1550
	E(U,C,H)1P62C+A4TXV02	A95DF1E110C20S	16.00	13.00	47000	35000	1600
	E(U,C,H)1P62C+A4TXV02	A95DF2V090C20S	15.10	12.50	47000	35000	1600
	E(U,C,H)1P62C+A4TXV02	A95DF2V110C20S	15.10	12.50	47000	35000	1600
	E(U,C,H)1P62C+A4TXV02	A95UH1E110C20S	16.00	13.00	47000	35000	1550
	E(U,C,H)1P62C+A4TXV02	A95UH2V090C16S	15.10	12.50	47000	35000	1600
	E(U,C,H)1P62C+A4TXV02	A95UH2V090C20S	15.10	12.50	47000	35000	1600
	E(U,C,H)1P62C+A4TXV02	A95UH2V110C16S	16.00	13.00	47000	35000	1600
	E(U,C,H)1P62C+A4TXV02	A95UH2V110C20S	15.10	12.50	47000	35000	1600
	E(U,C,H)1P62C+A4TXV02	L83B*1V112/125F20	14.50	12.00	47000	35000	1600
	E(U,C,H)1P62C+A4TXV02	A97DSMV090C16*	15.10	12.50	47000	35000	1600
	E(U,C,H)1P62C+A4TXV02	A97DSMV090C20*	15.10	12.50	47000	35000	1600
	E(U,C,H)1P62C+A4TXV02	A97DSMV110C20*	15.10	12.50	47000	35000	1600
	E(U,C,H)1P62C+A4TXV02	A97USMV090C16*	15.10	12.50	47000	35000	1600
	E(U,C,H)1P62C+A4TXV02	A97USMV090C20*	15.10	12.50	47000	35000	1600
	E(U,C,H)1P62C+A4TXV02	A97USMV110C20*	16.00	13.00	47000	35000	1600
	E(U,C,H)1P62C+A4TXV02	A95DF2E090C16S	15.10	12.50	47000	35000	1600
	E(U,C,H)1P62C+A4TXV02	A95DF2E110C20S	14.50	12.00	47000	35000	1600
	E(U,C,H)1P62C+A4TXV02	A95UH2E090C16S	15.10	12.50	47000	35000	1600
	E(U,C,H)1P62C+A4TXV02	A95UH2E110C20S	14.50	12.00	47000	35000	1600
	E(U,C,H)1P62C+A4TXV02	A80DS2V110C20	16.00	13.00	47000	35000	1600
	E(U,C,H)1P62C+A4TXV02	A80US2V090C20	16.00	13.00	47000	35000	1600
	E(U,C,H)1P62C+A4TXV02	A80US2V110C20	16.00	13.00	47000	35000	1600
	E(U,C,H)1P62C+A4TXV02	A96DS2V090C20S	15.10	12.50	47000	35000	1600
	E(U,C,H)1P62C+A4TXV02	A96DS2V110C20S	15.10	12.50	47000	35000	1600
	E(U,C,H)1P62C+A4TXV02	A96US2V090C16S	15.10	12.50	47000	35000	1600
	E(U,C,H)1P62C+A4TXV02	A96US2V090C20S	15.10	12.50	47000	35000	1600
	E(U,C,H)1P62C+A4TXV02	A96US2V110C16S	16.00	13.00	47000	35000	1600
	E(U,C,H)1P62C+A4TXV02	A96US2V110C20S	15.10	12.50	47000	35000	1600
	E(U,C,H)1P62C+A4TXV02	A80UH1E090C20	16.00	13.00	47000	35000	1550

Note:

1 Certified in accordance with Unitary Air Conditioner Certification Program, which is based on AHRI Standard 210/240

2 Required to achieve AHRI rating. If NA (Not Applicable) is in the piston column, then TXV is required.

3 A blower time delay relay is required to achieve AHRI rating. This feature is standard on all Allied Air Enterprises furnace and AH products.

COOLING PERFORMANCE WITH AIR HANDLERS AND FURNACES

Outdoor Model	Indoor Model	Variable Speed Furnace	SEER	EER	AHRI Rated Capacity ¹ BTUH	Rated Sensible Capacity BTUH	CFM	
	Evap. Coil or Air Handler ³							
4SCU14LE148P-4	BCE3M48C****P		14.00	12.00	46500	34500	1600	
	BCE3M48E****X		15.10	12.50	46500	34500	1600	
	BCE4M48S*		15.00	12.50	47000	34500	1600	
	BCE4M60S*		15.00	12.50	47000	34500	1600	
	BCS2M48S00NA1P		15.10	12.50	46500	34500	1600	
	BCS2M48V00NA1P		15.10	12.50	46500	34500	1600	
	BCS2M60V00NA1P		15.00	12.50	47000	34500	1600	
	E*1P49C	A80DS2V110C20		14.50	12.00	46500	34500	1600
	E*1P49C	A80US2V090C20		14.50	12.00	46500	34500	1600
	E*1P49C	A80US2V110C20		14.50	12.00	46500	34500	1600
	E*1P49C	L85B*1V104/118F20		14.00	12.00	46000	34500	1600
	E*1P49C	A80DF2V110C20		14.50	12.00	46500	34500	1600
	E*1P49C	A97USMV110C20S		14.50	12.00	46500	34500	1600
	E*1P49C	A95DF2E090C16S		14.50	11.50	46000	34500	1600
	E*1P49C	A95UH2E090C16S		14.50	11.50	46000	34500	1600
	E*1P49C	A97DSMV110C20*		14.50	12.00	46000	34500	1600
	E*1P49C	A97USMV110C20*		14.50	12.00	46500	34500	1600
	E*1P49C+TDR	A95UH2V110C16S		14.50	11.50	46000	34500	1600
	E*1P49C+TDR	A96US2V110C16S		14.50	11.50	46000	34500	1600
	E*1P60D	A96US2V135D20S		14.50	12.00	46000	34500	1600
	E*1P60D	A80UH1E135D20*		14.50	12.00	46000	34500	1600
	E*1P60D	A95UH2V135D20S		14.50	12.00	46000	34500	1600
	E*1P60D	A80US2V135D20		14.50	12.00	46000	34500	1600
	E*1P60D	A97USMV135D20*		14.50	12.00	46000	34500	1600
	E*1P62C	A97USMV110C20*		14.50	12.00	46500	34500	1600
	E*1P62C	A95DF2E090C16S		14.50	11.50	46500	34500	1600
	E*1P62C	A95UH2E090C16S		14.50	11.50	46500	34500	1600
	E*1P62C	A80DS2V110C20		14.50	12.00	46500	34500	1600
	E*1P62C	A80US2V090C20		14.50	12.00	46500	34500	1600
	E*1P62C	A80US2V110C20		14.50	12.00	46500	34500	1600
	E*1P62C	A80DF2V110C20		14.50	12.00	46500	34500	1600
	E*1P62C	A97USMV110C20S		14.50	12.00	46500	34500	1600
E*1P62C+TDR	A95UH2V110C16S		14.50	11.50	46000	34500	1600	
E*1P62C+TDR	A96US2V110C16S		14.50	11.50	46000	34500	1600	
E*1P62D	A97USMV135D20*		14.50	12.00	46500	34500	1600	

Note:

1 Certified in accordance with Unitary Air Conditioner Certification Program, which is based on AHRI Standard 210/240

2 Required to achieve AHRI rating. If NA (Not Applicable) is in the piston column, then TXV is required.

3 A blower time delay relay is required to achieve AHRI rating. This feature is standard on all Allied Air Enterprises furnace and AH products.

COOLING PERFORMANCE WITH AIR HANDLERS AND FURNACES

Outdoor Model	Indoor Model	Variable Speed Furnace	SEER	EER	AHRI Rated Capacity ¹ BTUH	Rated Sensible Capacity BTUH	CFM
	Evap. Coil or Air Handler ³						
4SCU14LE148P-4	E*1P62D	L83B*1V112/125F20	14.50	12.00	46500	34500	1600
	E*1P62D	A96US2V135D20S	14.50	12.00	46500	34500	1600
	E*1P62D	A80UH1E135D20*	14.50	12.00	46500	34500	1600
	E*1P62D	A95UH2V135D20S	14.50	12.00	46500	34500	1600
	E*1P62D	A80US2V135D20	14.50	12.00	46500	34500	1600
4SCU14LE159P-4	BCE3M48C****P		14.00	12.50	57000	41500	1800
	BCE3M60C****P		14.00	12.50	57000	41500	1800
	BCE4M60S*		14.50	12.00	57000	41500	1800
	BCS2M48V++++P		15.10	12.50	57000	41500	1760
	BCS2M60V++++P		14.50	12.00	57000	41500	1800
	E*1P62C	A97USMV110C20	14.50	12.50	57000	41500	1770
	E*1P62C	A95UH2V110C16	14.50	12.50	57000	41500	1760
	E*1P62C	A95UH2V110C20	14.50	12.50	57000	41500	1770
	E*1P62C	A95UH1E110C20	15.20	12.60	57000	41500	1740
	E*1P62C	A80US2V090C20	14.50	12.50	57000	41500	1800
	E*1P62C	A80UH1E090C20	15.20	12.60	57000	41500	1790
	E*1P62C	A80UH1E110C20	14.50	12.50	57000	41500	1800
	E*1P62C	A80DF1E110C20	15.10	12.50	57000	41500	1870
	E*1P62C	A96US2V110C16S	14.50	12.50	57000	41500	1760
	E*1P62C	A96US2V110C20S	14.50	12.50	57000	41500	1770
	E*1P62D	A96US2V135D20S	14.50	12.50	57000	41500	1800
	E*1P62D	A97USMV135D20	14.50	12.50	57000	41500	1800
	E*1P62D	A95UH2V135D20	14.50	12.50	57000	41500	1800
	E*1P62D	A80UH1E135C20	15.10	12.50	57000	41500	1800
4SCU14LE160P-4	BCE3M60C****P		14.00	12.00	58000	42000	1800
	BCE4M60S*		14.00	12.00	58000	42000	1800
	BCS2M60S00NA1P		14.00	12.00	58000	42000	1800
	BCS2M60V00NA1P		14.00	12.00	58000	42000	1800

Note:

1 Certified in accordance with Unitary Air Conditioner Certification Program, which is based on AHRI Standard 210/240

2 Required to achieve AHRI rating. If NA (Not Applicable) is in the piston column, then TXV is required.

3 A blower time delay relay is required to achieve AHRI rating. This feature is standard on all Allied Air Enterprises furnace and AH products.

COOLING PERFORMANCE – EXTENDED RATINGS

Outdoor Model	Indoor Model	Indoor Temp DB/ WB °F	Outdoor Temperature - DB °F														
			65°			82°			95°			105°			115°		
			Btuh	S/T	kW	Btuh	S/T	kW	Btuh	S/T	kW	Btuh	S/T	kW	Btuh	S/T	kW
4SCU14LE118P-7	E*IP23	85/72	24,600	0.61	1.24	23,500	0.63	1.47	22,600	0.64	1.65	20,800	0.68	1.85	19,000	0.71	2.04
		80/67	22,700	0.68	1.23	21,300	0.71	1.47	20,300	0.73	1.65	18,800	0.76	1.62	17,400	0.78	2.03
4SCU14LER18P-7	E*IP23	75/63	21,100	0.71	1.22	19,500	0.74	1.44	18,300	0.76	1.62	16,800	0.80	1.82	15,200	0.84	2.02
		75/57	18,721	1.00	1.20	17,800	1.00	1.44	17,000	1.00	1.62	15,700	1.00	1.82	14,400	1.00	2.02
4SCU14LE124P-7	E*IP29	85/72	27,700	0.62	1.52	27,400	0.63	1.80	27,200	0.64	2.02	25,700	0.67	2.26	24,200	0.70	2.50
		80/67	26,300	0.69	1.51	25,600	0.71	1.79	25,000	0.73	2.00	23,300	0.77	1.62	20,700	0.80	2.49
4SCU14LER24P-7	E*IP29	75/63	25,500	0.71	1.50	23,900	0.74	1.78	22,600	0.77	1.99	21,000	0.80	2.24	19,500	0.83	2.48
		75/57	23,000	1.00	1.49	21,600	1.00	1.77	20,600	1.00	1.99	19,200	1.00	2.24	17,700	1.00	2.49
4SCU14LE130P-7	E*IP29	85/72	32,000	0.59	1.52	30,900	0.63	2.02	30,000	0.66	2.41	28,400	0.70	2.67	26,800	0.74	2.94
		80/67	30,600	0.66	1.80	30,200	0.69	2.17	29,900	0.72	2.45	26,900	0.78	2.68	24,000	0.84	2.91
4SCU14LER30P-7	E*IP29	75/63	29,000	0.73	1.79	27,100	0.77	2.12	25,700	0.80	2.37	23,600	0.84	2.63	21,400	0.88	2.89
		75/57	26,500	1.00	1.79	24,900	1.00	2.13	23,700	1.00	2.38	22,000	1.00	2.64	20,200	1.00	2.89
4SCU14LE136P-7	E*IP36B	85/72	41,200	0.62	2.18	39,000	0.64	2.56	37,300	0.66	2.86	35,300	0.69	3.20	33,200	0.71	3.54
		80/67	38,400	0.69	2.16	35,900	0.73	2.56	34,000	0.76	2.86	32,200	0.78	1.62	30,500	0.80	3.55
4SCU14LER36P-7	E*IP36B	75/63	36,000	0.71	2.15	33,700	0.74	2.55	32,000	0.77	2.85	30,100	0.80	3.19	28,400	0.82	3.53
		75/57	30,600	1.00	2.14	29,500	1.00	2.54	28,700	1.00	2.85	27,500	1.00	3.18	26,100	1.00	3.51
4SCU14LE142P-7	E*IP49C	85/72	48,500	0.64	2.57	47,300	0.66	3.02	46,300	0.67	3.36	43,800	0.69	3.74	41,300	0.71	4.12
		80/67	46,500	0.70	2.56	44,000	0.73	3.01	42,200	0.75	3.35	39,500	0.78	1.62	36,800	0.81	4.06
4SCU14LER42P-7	E*IP49C	75/63	43,700	0.74	2.54	41,000	0.76	2.97	39,000	0.78	3.31	36,000	0.82	3.65	32,800	0.85	4.00
		75/57	39,700	1.00	2.53	37,700	1.00	2.95	36,200	1.00	3.28	33,900	1.00	3.94	31,300	1.00	4.60
4SCU14LE141P-4	E*IP49C	85/72	46,000	0.75	1.71	43,733	0.77	2.02	42,000	0.79	2.26	39,700	0.82	2.59	37,400	0.84	2.91
		80/67	45,000	0.76	1.70	42,167	0.79	2.01	40,000	0.81	2.25	37,800	0.84	2.58	35,600	0.87	2.90
		75/63	42,500	0.77	1.69	40,233	0.80	2.00	38,500	0.83	2.24	36,650	0.86	2.57	34,800	0.89	2.89
		75/57	40,000	0.79	1.68	38,017	0.82	1.99	36,500	0.84	2.23	35,000	0.88	2.50	33,500	0.91	2.77
4SCU14LE147P-4	E*IP62C	85/72	54,000	0.81	2.10	52,583	0.79	2.56	51,500	0.77	2.91	48,750	0.72	3.33	46,000	0.66	3.75
		80/67	53,000	0.82	2.00	50,733	0.80	2.51	49,000	0.79	2.90	46,500	0.81	3.33	44,000	0.83	3.75
		75/63	50,500	0.83	1.99	48,233	0.82	2.50	46,500	0.81	2.89	44,250	0.87	3.30	42,000	0.92	3.71
		75/57	47,000	0.85	1.98	44,733	0.84	2.49	43,000	0.83	2.88	41,500	0.90	3.29	40,000	0.97	3.70
4SCU14LE148P-4	E*IP62C	85/72	56,600	0.63	2.99	54,107	0.66	55.36	52,200	0.68	3.88	49,050	0.70	4.29	45,900	0.72	4.70
		80/67	53,100	0.70	2.97	50,607	0.73	3.47	48,700	0.75	3.85	44,500	0.79	4.26	40,300	0.83	4.66
		75/63	50,600	0.72	2.94	46,633	0.76	3.44	43,600	0.79	3.82	39,500	0.84	4.24	35,400	0.88	4.66
		75/57	46,000	1.00	2.92	42,373	1.00	3.43	39,600	1.00	3.82	35,950	1.00	4.24	32,300	1.00	4.65
4SCU14LE159P-4	E*IP62C	85/72	61,200	0.63	3.50	60,633	0.64	4.24	60,200	0.65	4.80	58,350	0.68	5.39	56,500	0.70	5.97
		80/67	59,500	0.69	3.50	58,933	0.71	4.21	58,500	0.72	4.75	54,600	0.75	5.34	50,700	0.78	5.93
		75/63	57,800	0.72	3.48	55,760	0.74	4.18	54,200	0.76	4.72	49,850	0.79	5.33	45,500	0.82	5.93
		75/57	53,500	1.00	3.44	51,120	1.00	4.15	49,300	1.00	4.70	44,700	0.92	5.31	40,100	0.83	5.91
4SCU14LE160P-4	E*IP62C	85/72	66,300	0.64	4.41	63,600	0.67	4.89	61,600	0.70	5.27	57,900	0.72	5.46	54,200	0.73	5.42
		80/67	62,400	0.66	4.25	59,900	0.71	4.69	58,000	0.74	5.03	54,600	0.75	5.24	51,100	0.75	5.23
		75/63	57,800	0.70	4.03	55,500	0.74	4.50	53,700	0.77	4.87	50,600	0.79	5.06	47,300	0.81	5.04
		75/57	56,200	0.78	4.02	53,900	0.83	4.45	52,200	0.86	4.78	49,100	0.88	4.96	46,000	0.90	4.94

Extended data shown is actual for models listed and typical for all AHRI matches.

ACCESSORIES

Description	Where Used	Kit Number
Crankcase Heater	All models	93M04
Hard Start Kit	18	10J42
	24, 30, 36, 41, 42, 47, 48, 59, 60	88M91
Low Ambient Kit	All models	34M72
Short Cycle Protector	All models	47J27
Freezestat	3/8 tubing	93G35
	5/8 tubing	50A93
Time Delay Relay	All models	58M81
Loss of Charge Kit	All models	84M23 (factory installed)
Sound Blanket	18, 24, 30, 36, 41	14W00 (factory installed)
	42, 47, 48, 59, 60	14W01 (factory installed)
TXV Kit	18, 24, 30	A4TXV01
	36, 42, 48, 60	A4TXV02



1-800-448-5872

All specifications and illustrations subject to change without notice and without incurring obligations.