

EVAPORATOR COILS

PRODUCT SPECIFICATIONS

EVAPORATOR COILS FEATURES

- Microban® antimicrobial additive in the drain pan to resist mold and mildew growth.
- One of the lowest water retention drain pans in the industry to minimize mold and mildew growth.
- Interlocking door assemblies and snug line seal grommets to minimize air leakage
- Foil-face insulation for easy cleaning
- Tubing located at door split for easy coil service or cleaning
- All drain pans are compatible with UV lights
- All piston coils are compatible with R22 or R410a
- 10-year limited parts warranty available when applied with a system. *See limited warranty document for details.*

Upflow Coils

EC4X (Cased)

- Factory installed TXV for quick installation in high efficiency applications
- Tightly sealed, painted steel cabinet with wall to wall insulation to ensure <2% air leakage.
- Single protruding right side dual drain port for easy installation and service access.

EC1P (Cased)

- External cabinet mounted distributor body designed for easy changing of orifice sizes and fast TXV connections
- Two dual drain on front of coil for install flexibility of drain lines around furnace vent and utility connections.

EU1P/EUL1P (Uncased)

- Low profile models available (EUL1P for space constrained applications)
- Two dual drain connections on front of coil for install flexibility of drain lines around furnace vent and utility connections
- Orifice assembly designed for easy changing of orifice sizes and fast TXV connections

Horizontal Coils

EM1P (Cased)

- Upflow/ Horizontal for application flexibility
- Side drain pan built in for easy horizontal installations

EH1P (Cased)

- Dedicated horizontal
- Insulated galvanized steel case with durable embossed finish
- Removable top panels for easy service or cleaning
- Dual condensate drains on front and back of coil allows flexibility of placement to accommodate left or right airflow furnaces
- Refrigerant connections on top of coil for ease of installation in left or right airflow furnaces

Downflow Coils

ED1P (Cased)

- Heavy-gauge steel constructed cabinet for optimal support of the furnace, no need for additional bracing or structure.
- Inlet openings matched to furnace models for easy installation and no adapters needed*
- Removable Cabinet panels for easy coil service
- Single protruding dual drain port for easy installation and service access

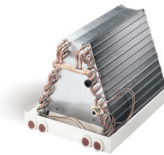
FORM NO. EC/M/U/H1P/4X/DF-100 (04/2018)



EC4X



EC1P



EU1P
EUL1P



EM1P



EH1P



ED1P

WARRANTY

10 year limited parts warranty available when applied with a system. See limited warranty document for details.



Utility Small AC
AHRF Standard 210290
Conditioned equipment only when the complete system is listed with AHRF.



Utility Small HP
AHRF Standard 210290
Conditioned equipment only when the complete system is listed with AHRF.



Utility Small HP
AHRF Standard 210290
Conditioned equipment only when the complete system is listed with AHRF.



Utility Small AC
AHRF Standard 210290
Conditioned equipment only when the complete system is listed with AHRF.

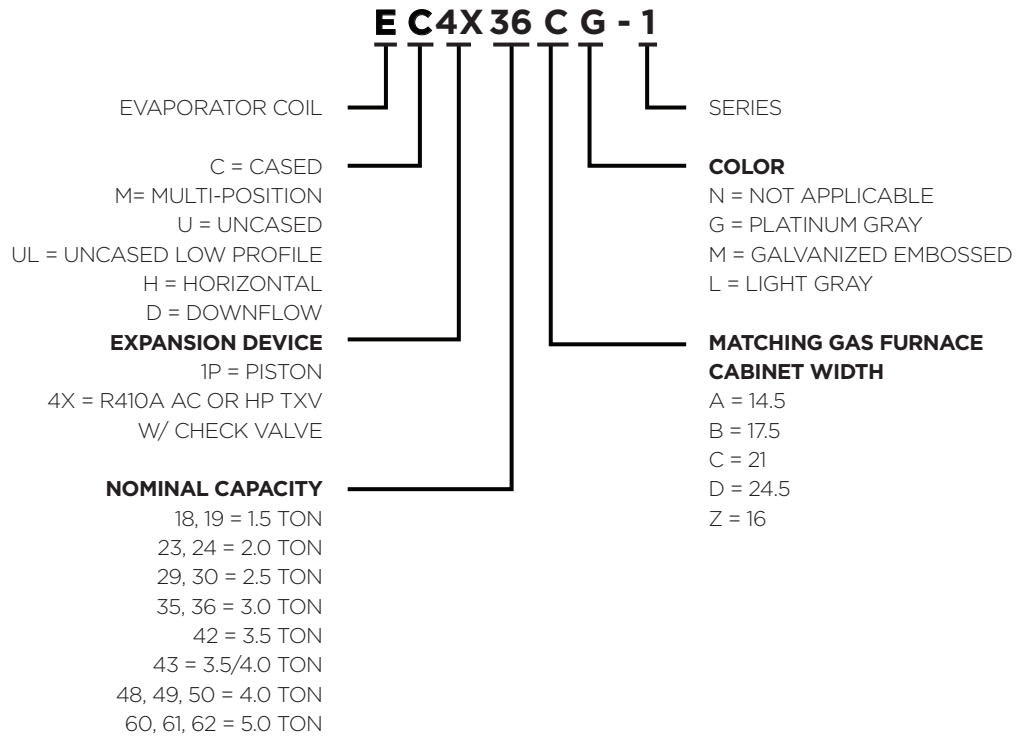


Utility Small HP
AHRF Standard 210290
Conditioned equipment only when the complete system is listed with AHRF.



Utility Small HP
AHRF Standard 210290
Conditioned equipment only when the complete system is listed with AHRF.

MODEL NUMBER GUIDE



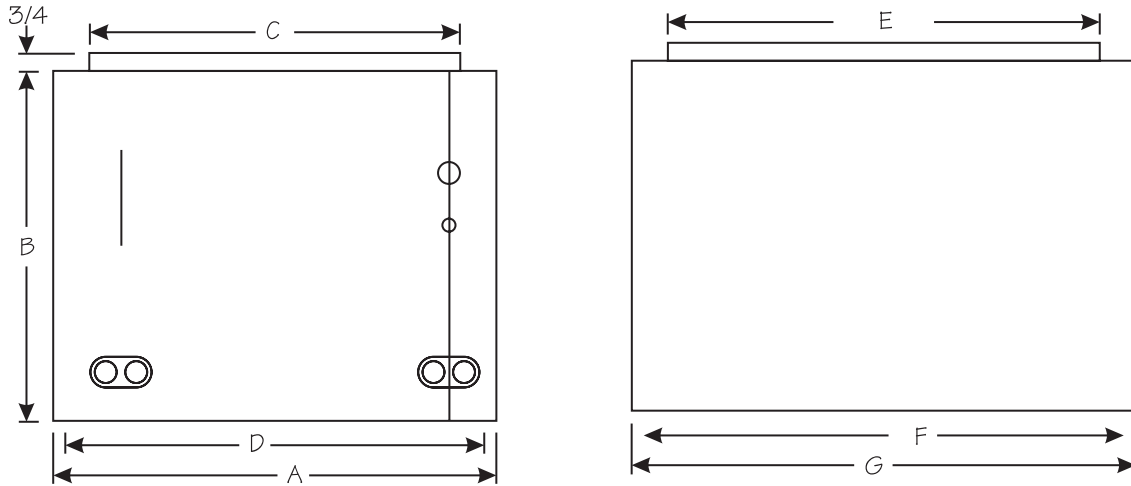
COIL PRESSURE DROP

Evaporator	Wet Coil Pressure Drop CFM									
	600	800	1000	1200	1400	1600	1800	2000	2200	2400
E**19A	.09	.16	.24	--	--	--	--	--	--	--
E**18A,B	.17	.25	.39	.52	--	--	--	--	--	--
E**23A	.10	.18	.26	.36	--	--	--	--	--	--
E**23B	.09	.15	.22	.31	--	--	--	--	--	--
E**24A,B	.12	.21	.30	.43	.55	--	--	--	--	--
E**29A	.08	.13	.20	.28	.37	--	--	--	--	--
E**29B	.06	.11	.16	.23	.31	--	--	--	--	--
E**30A	--	.14	.21	.30	.39	.51	--	--	--	--
E**30B,C	--	.11	.16	.21	.28	.34	--	--	--	--
E**36A	--	.14	.21	.30	.39	.51	--	--	--	--
E**36B	--	.11	.16	.21	.28	.34	--	--	--	--
E**36C	--	.06	.11	.17	.23	.29	--	--	--	--
E**43B	--	--	.13	.18	.24	.31	.40	--	--	--
E**43C	--	--	.09	.12	.16	.20	.24	--	--	--
E**48B	--	--	.13	.18	.24	.31	.40	--	--	--
E**48C	--	--	--	.17	.23	.29	.37	.43	--	--
E**49C	--	--	--	.12	.17	.22	.28	.35	--	--
E**50C	--	--	--	.17	.23	.29	.37	.43	--	--
E**60D	--	--	--	--	.15	.18	.21	.27	.32	.37
E**62C	--	--	--	--	.19	.23	.28	.34	.40	.46
E**62D	--	--	--	--	.15	.18	.21	.27	.32	.37
EULIP30AN-1	--	.24	.35	.47	.63	.80	--	--	--	--
EULIP30BN-1	--	.23	.33	.45	.57	.69	--	--	--	--
EULIP36BN-1	--	.15	.22	.30	.39	.49	--	--	--	--
EULIP36ZN-1	--	.15	.22	.29	.39	.51	--	--	--	--

COIL PRESSURE DROP

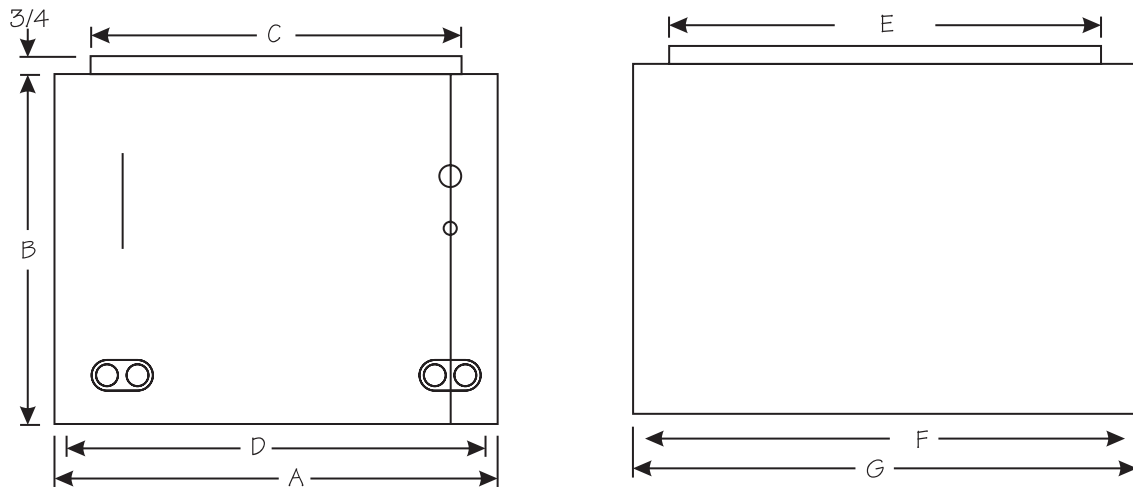
Evaporator	Wet Coil Pressure Drop								
	600	800	1000	1200	1400	1600	1800	2000	2200
ED1P18A	0.20	0.32	0.42	0.52					
ED1P24A	0.15	0.25	0.37	0.52					
ED1P24B	0.15	0.26	0.39	0.54					
ED1P30/36A	0.10	0.18	0.27	0.38	0.49				
ED1P30/36B	0.10	0.16	0.22	0.28	0.34	0.40			
ED1P30/36C	0.07	0.13	0.21	0.29	0.38	0.46			
ED1P48B				0.17	0.23	0.29	0.36	0.45	
ED1P48C				0.20	0.27	0.35	0.42	0.51	
ED1P50/60C					0.19	0.24	0.31	0.36	0.45
ED1P60D					0.19	0.24	0.31	0.36	0.45

DIMENSIONS - EC4X



Model	A (in.)	B (in.)	C (in.)	D (in.)	E (in.)	F (in.)	G (in.)	Refrigerant Connections		Weight (lbs.)
								Liquid (in.)	Vapor (in.)	
EC4X23AG-1	14-1/2	18.5	13	13-1/2	20	21	21-1/2	3/8	3/4	39
EC4X23BG-1	17-1/2	18.5	16	16-1/2	20	21	21-1/2	3/8	3/4	41
EC4X24AG-1	14-1/2	20-1/2	13	13-1/2	20	21	21-1/2	3/8	3/4	37
EC4X24BG-1	17-1/2	20-1/2	16	16-1/2	20	21	21-1/2	3/8	3/4	40
EC4X29AG-1	14-1/2	22-1/2	13	13-1/2	20	21	21-1/2	3/8	3/4	49
EC4X29BG-1	17-1/2	22-1/2	16	16-1/2	20	21	21-1/2	3/8	3/4	45
EC4X30AG-1	14-1/2	24-1/2	13	13-1/2	20	21	21-1/2	3/8	3/4	50
EC4X30BG-1	17-1/2	24-1/2	16	16-1/2	20	21	21-1/2	3/8	3/4	49
EC4X30CG-1	21	24-1/2	19-1/2	20	20	21	21-1/2	3/8	3/4	51
EC4X36AG-1	14-1/2	24-1/2	13	13-1/2	20	21	21-1/2	3/8	3/4	55
EC4X36BG-1	17-1/2	24-1/2	16	16-1/2	20	21	21-1/2	3/8	3/4	57
EC4X36CG-1	21	24-1/2	19-1/2	20	20	21	21-1/2	3/8	7/8	60
EC4X43BG-1	17-1/2	27-1/2	16	16-1/2	20	21	21-1/2	3/8	7/8	63
EC4X43CG-1	21	27-1/2	19-1/2	20	20	21	21-1/2	3/8	7/8	52
EC4X48BG-1	17-1/2	24-1/2	16	16-1/2	20	21	21-1/2	3/8	7/8	55
EC4X49CG-1	21	29-1/2	19-1/2	20	20-1/2	21-1/2	22	3/8	7/8	66
EC4X50CG-1	21	27-1/2	19-1/2	20	20	21	21-1/2	3/8	7/8	66
EC4X62CG-1	21	31-1/2	19-1/2	20	20-1/2	21-1/2	22	3/8	7/8	77
EC4X62DG-1	24-1/2	29-1/2	23	23-1/2	20	21	21-1/2	3/8	7/8	78

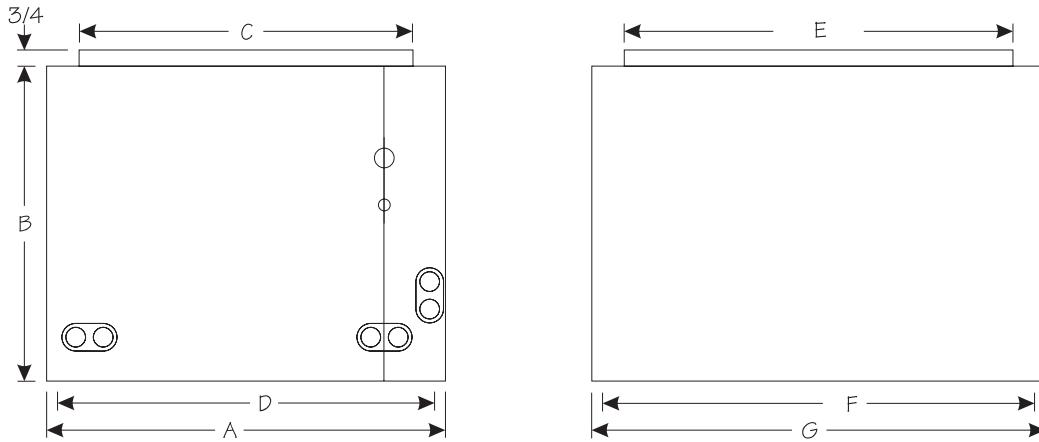
DIMENSIONS - CASED



Model	A (in.)	B (in.)	C (in.)	D (in.)	E (in.)	F (in.)	G (in.)	Orifice	Refrigerant Connections		Weight (lbs.)
									Liquid (in.)	Vapor (in.)	
ECIP18A*	14-1/2	16-1/2	13	13-1/2	18	20-1/2	21	.051	3/8	3/4	31
ECIP19A*	14-1/2	16-1/2	13	13-1/2	18	20-1/2	21	.051	3/8	3/4	35
ECIP23A*	14-1/2	18-1/2	13	13-1/2	18	20-1/2	21	.057	3/8	3/4	39
ECIP23B*	17-1/2	18-1/2	16	16-1/2	18	20-1/2	21	.057	3/8	3/4	41
ECIP24A*	14-1/2	20-1/2	13	13-1/2	18	20-1/2	21	.057	3/8	3/4	37
ECIP24B*	17-1/2	20-1/2	16	16-1/2	18	20-1/2	21	.062	3/8	3/4	40
ECIP29A*	14-1/2	25-1/2	13	13-1/2	18	20-1/2	21	.065	3/8	3/4	47
ECIP29B*	17-1/2	25-1/2	16	16-1/2	18	20-1/2	21	.065	3/8	3/4	49
ECIP30A*	14-1/2	24-1/2	13	13-1/2	18	20-1/2	21	.065	3/8	3/4	45
ECIP30B*	17-1/2	24-1/2	16	16-1/2	18	20-1/2	21	.065	3/8	3/4	46
ECIP30C*	21	24-1/2	19-1/2	20	18	20-1/2	21	.070	3/8	3/4	50
ECIP36A*	14-1/2	24-1/2	13	13-1/2	18	20-1/2	21	.073	3/8	3/4	49
ECIP36B*	17-1/2	24-1/2	16	16-1/2	18	20-1/2	21	.073	3/8	3/4	51
ECIP36C*	21	24-1/2	19-1/2	20	18	20-1/2	21	.073	3/8	3/4	55
ECIP36D*	24-1/2	24-1/2	23	23-1/2	18	20-1/2	21	.076	3/8	3/4	57
ECIP43B*	17-1/2	29-1/2	16	16-1/2	18	20-1/2	21	.076	3/8	7/8	60
ECIP43C*	21	29-1/2	19-1/2	20	18	20-1/2	21	.076	3/8	7/8	63
ECIP48B*	17-1/2	24-1/2	16	16-1/2	18	20-1/2	21	.082	3/8	7/8	52
ECIP48C*	21	24-1/2	19-1/2	20	18	20-1/2	21	.082	3/8	7/8	55
ECIP49C*	21	29-1/2	19-1/2	20	19	21-1/2	22	.093	3/8	7/8	72
ECIP50C*	21	27-1/2	19-1/2	20	18	20-1/2	21	.082	3/8	7/8	66
ECIP60D*	24-1/2	25-1/2	23	23-1/2	18	20-1/2	21	.093	3/8	7/8	66
ECIP62C*	21	31-1/2	19-1/2	20	19	21-1/2	22	.093	3/8	7/8	76
ECIP62D*	24-1/2	29-1/2	23	23-1/2	18	20-1/2	21	.093	3/8	7/8	77

* = G, M, or L

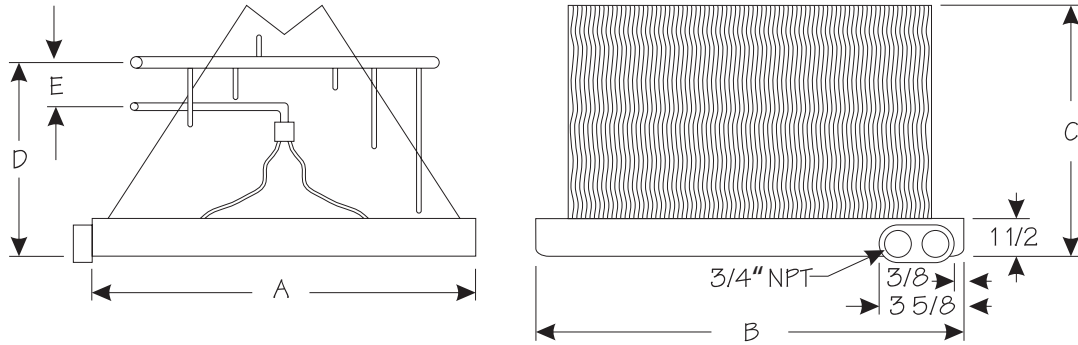
DIMENSIONS - MULTI-POSITION



Model	A (in.)	B (in.)	C (in.)	D (in.)	E (in.)	F (in.)	G (in.)	Orifice	Refrigerant Connections		Weight (lbs.)
									Liquid (in.)	Vapor (in.)	
EMIP18A*	14-1/2	25-1/2	13	13-1/2	19-1/2	20-1/2	21	.051	3/8	3/4	45
EMIP19A*	14-1/2	25-1/2	13	13-1/2	19-1/2	20-1/2	21	.051	3/8	3/4	33
EMIP23A*	14-1/2	25-1/2	13	13-1/2	19-1/2	20-1/2	21	.057	3/8	3/4	40
EMIP23B*	17-1/2	25-1/2	16	16-1/2	19-1/2	20-1/2	21	.057	3/8	3/4	40
EMIP24A*	14-1/2	25-1/2	13	13-1/2	19-1/2	20-1/2	21	.057	3/8	3/4	42
EMIP24B*	17-1/2	25-1/2	16	16-1/2	19-1/2	20-1/2	21	.057	3/8	3/4	42
EMIP29A*	14-1/2	25-1/2	13	13-1/2	19-1/2	20-1/2	21	.065	3/8	3/4	40
EMIP29B*	17-1/2	25-1/2	16	16-1/2	19-1/2	20-1/2	21	.065	3/8	3/4	41
EMIP30A*	14-1/2	25-1/2	13	13-1/2	19-1/2	20-1/2	21	.065	3/8	3/4	42
EMIP30B*	17-1/2	25-1/2	16	16-1/2	19-1/2	20-1/2	21	.065	3/8	3/4	42
EMIP36A*	14-1/2	25-1/2	13	13-1/2	19-1/2	20-1/2	21	.073	3/8	3/4	57
EMIP36B*	17-1/2	25-1/2	16	16-1/2	19-1/2	20-1/2	21	.073	3/8	3/4	57
EMIP36C*	21	25-1/2	19-1/2	20	19-1/2	20-1/2	21	.073	3/8	7/8	57
EMIP43B*	17-1/2	27-1/2	16	16-1/2	19-1/2	20-1/2	21	.076	3/8	7/8	45
EMIP43C*	21	27-1/2	19-1/2	20	19-1/2	20-1/2	21	.076	3/8	7/8	45
EMIP48B*	17-1/2	25-1/2	16	16-1/2	19-1/2	20-1/2	21	.082	3/8	7/8	48
EMIP48C*	21	25-1/2	19-1/2	20	19-1/2	20-1/2	21	.082	3/8	7/8	48
EMIP50C*	21	27-1/2	19-1/2	20	19-1/2	20-1/2	21	.082	3/8	7/8	77

* = G, M, or L

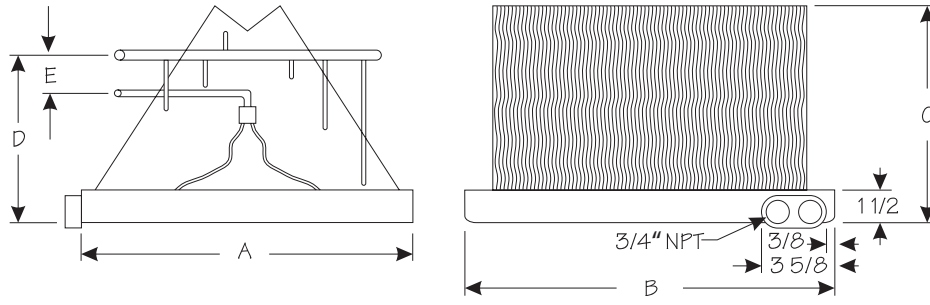
DIMENSIONS - UNCASD



Model	A (in.)	B (in.)	C (in.)	D (in.)	E (in.)	Orifice	Refrigerant Connections		Weight (lbs.)
							Liquid (in.)	Vapor (in.)	
EUIP18AN	13	19-1/2	15	9-1/2	4-1/2	.051	3/8	3/4	18
EUIP19AN	13	19-1/2	15-1/8	9-1/2	4-1/2	.051	3/8	3/4	19
EUIP23AN	13	19-1/2	17-3/16	12-1/2	4-1/2	.057	3/8	3/4	22
EUIP23BN	15-1/2	19-1/2	16-7/8	15-3/4	4-1/2	.057	3/8	3/4	22
EUIP24AN	13	19-1/2	19-3/16	14-1/2	6	.057	3/8	3/4	22
EUIP24BN	15-1/2	19-1/2	18-3/4	14-1/2	6	.057	3/8	3/4	23
EUIP29AN	13	19-1/2	21-1/4	17-1/4	6-1/2	.065	3/8	3/4	24
EUIP29BN	15-1/2	19-1/2	21-1/4	17-1/4	6-1/2	.065	3/8	3/4	25
EUIP30AN	13	19-1/2	23-1/4	17-1/4	6-1/2	.065	3/8	3/4	26
EUIP30BN	15-1/2	19-1/2	23	17-1/4	6-1/2	.065	3/8	3/4	27
EUIP30CN	20	19-1/2	22-1/4	17-1/4	6-1/2	.065	3/8	3/4	29
EUIP36AN	13	19-1/2	23-3/8	17-1/4	6-1/2	.073	3/8	3/4	31
EUIP36BN	15-1/2	19-1/2	23-1/8	17-1/4	6-1/2	.073	3/8	3/4	33
EUIP36CN	20	19-1/2	22-1/2	17-1/4	4-1/2	.073	3/8	3/4	34
EUIP43BN	15-1/2	19-1/2	27-1/4	23-1/4	5-1/2	.076	3/8	7/8	43
EUIP43CN	20	19-1/2	26-3/4	23-1/4	5-1/2	.076	3/8	7/8	44
EUIP48BN	15-1/2	19-1/2	23-1/8	9-1/4	4-1/2	.082	3/8	7/8	33
EUIP48CN	20	19-1/2	22-1/2	9-1/4	4-1/2	.082	3/8	7/8	35
EUIP49CN	19-1/2	21-1/2	28-5/8	15	*3	.093	3/8	7/8	53
EUL1P30AN	13	19-1/2	13	9.50	4	.065	3/8	3/4	20
EUL1P30BN	15-1/2	19-1/2	13	9.50	4	.065	3/8	3/4	21
EUL1P36BN	15-1/2	19-1/2	17	12.00	6	.076	3/8	3/4	26
EUL1P36ZN	17	19-1/2	17	12.50	6	.076	3/8	3/4	27

* Suction line is above liquid line.
 Dimensions - Uncased continued on next page

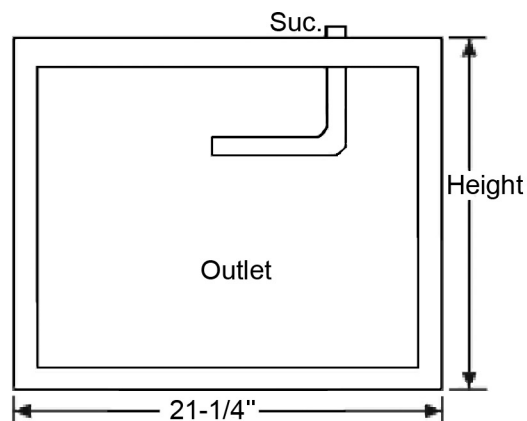
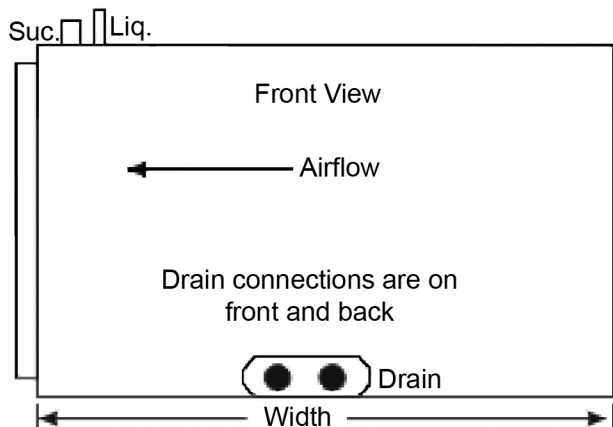
DIMENSIONS - UNCASED (CONTINUED)



Model	A (in.)	B (in.)	C (in.)	D (in.)	E (in.)	Orifice	Refrigerant Connections		Weight (lbs.)
							Liquid (in.)	Vapor (in.)	
EU1P50CN	20	19-1/2	26-3/4	23-1/4	5-1/2	.082	3/8	7/8	40
EU1P59DN	25-1/8	20	24-1/2	16-3/4	5	.090	3/8	7/8	49
EU1P60DN	23	19-1/2	24	11-3/8	*3	.093	3/8	7/8	42
EU1P62CN	19-1/2	21-1/2	30-5/8	18-1/8	*3	.093	3/8	7/8	58
EU1P62DN	23	19-1/2	28-1/8	18-1/4	4-5/8	.093	3/8	7/8	48

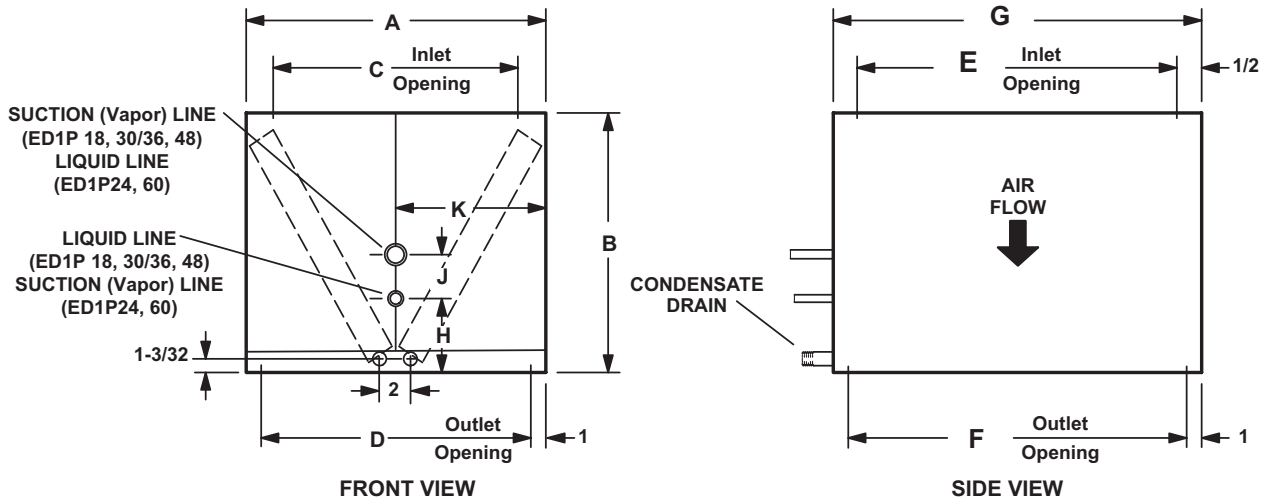
* Liquid line is located above suction line.

DIMENSIONS - HORIZONTAL



Model	Height	Width	Supply		Return		Weight (lbs.)	Orifice	Liquid	Vapor
			Height	Width	Height	Width				
EHIP23AM	14-1/2	26-1/2	13	19-3/4	13-1/2	20	38	.051	3/8	7/8
EHIP23BM	17-1/2	26-1/2	16	19-3/4	16-1/2	20	50	.051	3/8	7/8
EHIP29AM	14-1/2	31-1/2	13	19-3/4	13-1/2	20-1/4	56	.065	3/8	7/8
EHIP29BM	17-1/2	26-1/2	16	19-3/4	16-1/2	20	45	.065	3/8	7/8
EHIP36BM	17-1/2	26-1/2	16	19-3/4	16-1/2	20	56	.073	3/8	7/8
EHIP36CM	21	26-1/2	19-1/2	19-3/4	20	20	64	.073	3/8	7/8
EHIP43BM	17-1/2	31-1/2	16	19-3/4	16-1/2	20-1/4	52	.076	3/8	7/8
EHIP43CM	21	26-1/2	19-1/2	19-3/4	20	20	56	.076	3/8	7/8
EHIP49CM	21	31-1/2	19-1/2	19-3/4	20	20-1/4	58	.093	3/8	7/8
EHIP49DM	24-1/2	31-1/2	23	19-3/4	23-1/2	20-1/4	66	.090	3/8	7/8
EHIP62CM	21	31-1/2	19-1/2	19-3/4	20	20-1/4	63	.093	3/8	7/8
EHIP62DM	24-1/2	31-1/2	23	19-3/4	23-1/2	20-1/4	63	.093	3/8	7/8

DIMENSIONS - DOWNFLOW



NOTE - Liquid and Suction Line locations are reversed on ED1P24 and ED1P60 models.

Model Number	A	B	C	D	E	F	G	H	J	K	Refrigerant Connections		Weight lbs.
	in.	in.	in.	in.	in.	in.	in.	in.	in.	in.	Liquid in.	Vapor in.	
ED1P18A	17-1/2	14-1/8	13-1/2	15-1/2	22-5/8	23-3/16	26-1/8	6 1/4	3	8 3/4	3/8	7/8	44
ED1P24A	17-1/2	14-1/8	13-1/2	15-1/2	22-5/8	23-3/16	26-1/8	5	5	8 3/4	3/8	7/8	44
ED1P24B	17-1/2	14-1/8	16-1/2	15-1/2	22-5/8	23-3/16	26-1/8	5	5	8 3/4	3/8	7/8	49
ED1P30/36A	17-1/2	16-1/8	13-1/2	15-1/2	22-5/8	23-3/16	26-1/8	6 1/8	3	8 3/4	3/8	7/8	58
ED1P30/36B	17-1/2	16-1/8	16-1/2	15-1/2	22-5/8	23-3/16	26-1/8	6 1/8	3	8 3/4	3/8	7/8	57
ED1P30/36C	21	16-1/8	20	19	22-5/8	23-3/16	26-1/8	6 1/8	3	10 1/2	3/8	7/8	60
ED1P48B	21	20	16-1/2	19	22-5/8	23-3/16	26-1/8	8 1/8	4	10 1/2	3/8	7/8	72
ED1P48C	21	20	20	19	22-5/8	23-3/16	26-1/8	8 1/8	4	10 1/2	3/8	7/8	71
ED1P50/60C	24-1/2	23-5/8	20	22-1/2	22-5/8	23-3/16	26-1/8	3 1/2	17-3/16	12 1/4	3/8	7/8	85
ED1P60D	24-1/2	23-5/8	23-1/2	22-1/2	22-5/8	23-3/16	26-1/8	3 1/2	17-3/16	12 1/4	3/8	7/8	84



1-800-448-5872

All specifications and illustrations subject to change without notice and without incurring obligations.