

# 4SCU20LX

## PRODUCT SPECIFICATIONS

UP TO 20 SEER  
VARIABLE CAPACITY AIR CONDITIONER

FORM NO. 4SCU20LX-100 (09/2015)



**COMFORT SYNC**

COMMUNICATING THERMOSTAT ENABLED

### INSTALLED BY THE BEST

- Specialized training is required for dealers offering the 20LX
- Installer training available through authorized distributors

### COMPRESSOR

- Inverter-driven Scroll Compressor for true variable capacity operation
- R410A refrigerant
- Heavy-duty compressor sound blanket for quiet operation
- Internally protected against high temperature motor overload conditions

### CABINET

- Full metal louvered panels remove easily for coil cleaning and service
- Specialized corner-mounted controls for easy service
- Baked polyester paint finished over galvanized steel for maximum durability
- Removable PVC coated wire fan discharge grill
- 45-degree offset gauge ports for easy service
- Removable service panel for internal access

### COILS

- Enhanced tube-and-fin coil design featuring MHT™ Technology
- Raised coil prevents debris from impeding airflow

### DESIGN

- Designed to perform in temperatures up to 125 degrees F

### COMPONENTS

- Service valves positioned for quick installation and service
- Variable speed condenser fan motor
- Swept wing fan blade for quiet operation
- Factory installed crankcase heater
- Charged for 15 feet of line set
- Requires Comfort Sync™ thermostat and a Comfort Sync™ enabled matching indoor unit

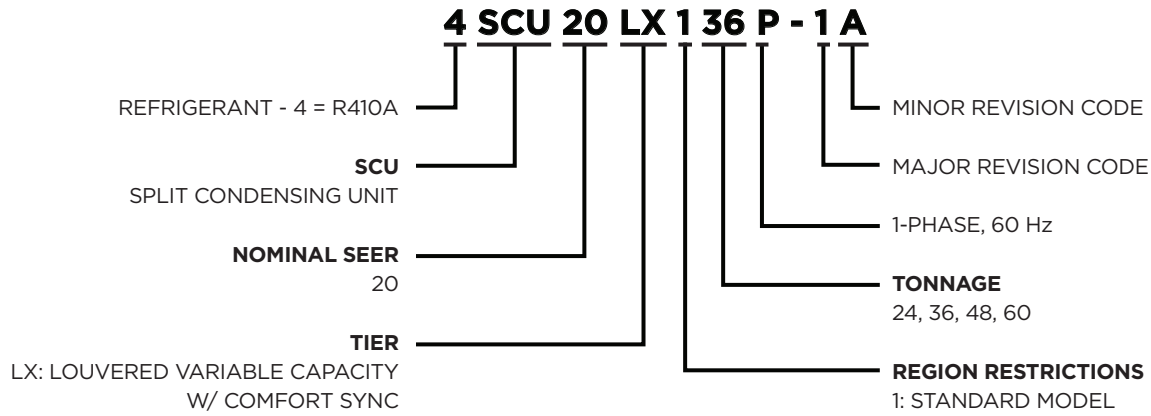
### WARRANTY

- 10 year limited warranty on compressor
- 10 year limited warranty on all parts, extended warranty available

*\*Warranty provides for a total of 10 years of limited warranty coverage (Standard 5-year limited parts warranty plus an additional 5-year limited extended parts warranty). Warranty must be registered online within 60 days of installation to qualify for 10-year coverage. Unregistered equipment defaults to 5-year coverage. Lifetime limited heat exchanger warranty applies to registered equipment only (Standard 20 years with no online registration). See full warranty at [www.alliedair.com](http://www.alliedair.com) for terms, conditions and exclusions.*



**MODEL NUMBER GUIDE**



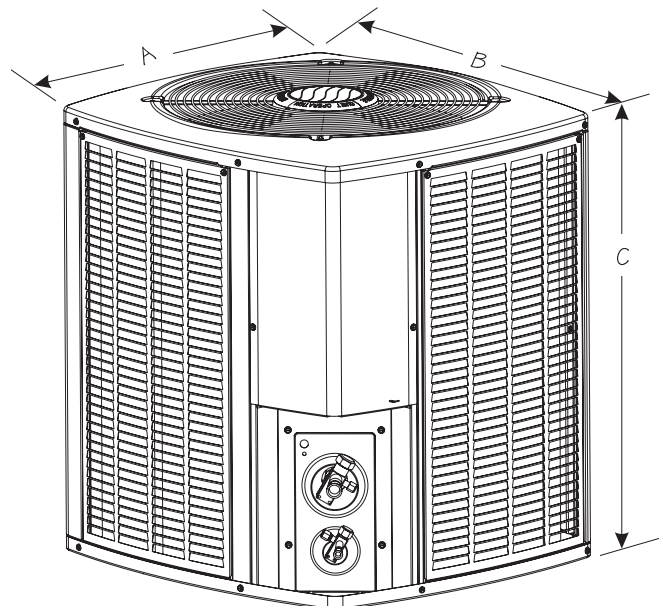
**ELECTRICAL AND PHYSICAL DATA**

| Model          | Voltage/Hz/<br>Phase | Voltage<br>Range | Min.<br>Circuit<br>Amp. | Max. Over<br>Current<br>Device<br>(amps) | Compressor              |                        | Outdoor Fan Motor    |          |             | Refrig.<br>Charge<br>(oz.) | Weight<br>(lbs.) |
|----------------|----------------------|------------------|-------------------------|--|-------------------------|------------------------|----------------------|----------|-------------|----------------------------|------------------|
|                |                      |                  |                         |  | Rated<br>Load<br>(amps) | Locked Rotor<br>(amps) | Rated Load<br>(amps) | Rated HP | Nom.<br>RPM |                            |                  |
| 4SCU20LX124P-1 | 208-230/60/1         | 197-253          | 19.1                    | 30                                       | 13.0                    | 13                     | 2.8                  | 1/3      | VAR. SPD.   | 113                        | 243              |
| 4SCU20LX136P-1 | 208-230/60/1         | 197-253          | 20.6                    | 30                                       | 14.2                    | 13                     | 2.8                  | 1/3      | VAR. SPD.   | 134                        | 245              |
| 4SCU20LX148P-1 | 208-230/60/1         | 197-253          | 29.1                    | 50                                       | 21.0                    | 20                     | 2.8                  | 1/3      | VAR. SPD.   | 154                        | 287              |
| 4SCU20LX160P-1 | 208-230/60/1         | 197-253          | 29.3                    | 50                                       | 21.2                    | 20                     | 2.8                  | 1/3      | VAR. SPD.   | 207                        | 321              |

Note:  
Weights listed are unit weights with packaging

**DIMENSIONS (IN.) AND SOUND RATINGS**

| Model No.      | A     | B     | C     | Sound<br>Rating<br>dBA |
|----------------|-------|-------|-------|------------------------|
| 4SCU20LX124P-1 | 37.75 | 35.75 | 37.5  | 65                     |
| 4SCU20LX136P-1 | 37.75 | 35.75 | 37.5  | 67                     |
| 4SCU20LX148P-1 | 37.75 | 35.75 | 43.75 | 68                     |
| 4SCU20LX160P-1 | 37.75 | 35.75 | 43.75 | 69                     |



**COOLING PERFORMANCE WITH AIR HANDLERS AND FURNACES**

| Outdoor Model   | Indoor Model                                | Furnace       | SEER  | EER   | AHRI Rated Capacity <sup>1</sup> BTUH | Sensible Rated Capacity | CFM High | CFM Med | CFM Low | Refrigerant Connection |        |         |        | Refrigerant Line Size |        | Indoor Expansion Device |         |
|-----------------|---|---------------|-------|-------|---------------------------------------|-------------------------|----------|---------|---------|------------------------|--------|---------|--------|-----------------------|--------|-------------------------|---------|
|                 | Evaporator Coil or Air Handler <sup>3</sup> |               |       |       |                                       |                         |          |         |         | Outdoor                |        | Indoor  |        | Suction               | Liquid | Piston <sup>2</sup>     | TXV     |
|                 |   |               |       |       |                                       |                         |          |         |         | Suction                | Liquid | Suction | Liquid |                       |        |                         |         |
|                 |   |               |       |       |                                       |                         |          |         |         |                        |        |         |        |                       |        |                         |         |
| 4SCU20LX124P-1  | BCE4M30S                                    |               | 20.00 | 14.00 | 24000                                 | 18000                   | 800      | 500     | 375     | 3/4                    | 3/8    | 3/4     | 3/8    | 3/4                   | 3/8    | NA                      | A4TXV01 |
|                 | BCE4M36S                                    |               | 20.00 | 14.50 | 24000                                 | 18000                   | 800      | 500     | 375     | 3/4                    | 3/8    | 3/4     | 3/8    | 3/4                   | 3/8    |                         |         |
|                 | E*1P36A+TDR+TXV                             | A80US2V070A12 | 20.00 | 14.50 | 24000                                 | 18000                   | 800      | 500     | 375     | 3/4                    | 3/8    | 3/4     | 3/8    | 3/4                   | 3/8    |                         |         |
|                 | E*1P29A+TDR+TXV                             | A80US2V070A12 | 20.00 | 14.00 | 24000                                 | 18000                   | 800      | 500     | 375     | 3/4                    | 3/8    | 3/4     | 3/8    | 3/4                   | 3/8    |                         |         |
|                 | E*1P29B+TDR+TXV                             | A80US2V090B12 | 20.00 | 14.50 | 24000                                 | 18000                   | 800      | 500     | 375     | 3/4                    | 3/8    | 3/4     | 3/8    | 3/4                   | 3/8    |                         |         |
|                 | E*1P36A+TDR+TXV                             | A80US2V090B12 | 20.00 | 14.50 | 24000                                 | 18000                   | 800      | 500     | 375     | 3/4                    | 3/8    | 3/4     | 3/8    | 3/4                   | 3/8    |                         |         |
|                 | E*1P36B+TDR+TXV                             | A80US2V090B12 | 20.00 | 14.50 | 24000                                 | 18000                   | 800      | 500     | 375     | 3/4                    | 3/8    | 3/4     | 3/8    | 3/4                   | 3/8    |                         |         |
|                 | E*1P29A+TDR+TXV                             | A80US2V090B12 | 20.00 | 14.00 | 24000                                 | 18000                   | 800      | 500     | 375     | 3/4                    | 3/8    | 3/4     | 3/8    | 3/4                   | 3/8    |                         |         |
|                 | E*1P36A+TDR+TXV                             | A96US2V045B12 | 20.00 | 14.50 | 24000                                 | 18000                   | 800      | 500     | 375     | 3/4                    | 3/8    | 3/4     | 3/8    | 3/4                   | 3/8    |                         |         |
|                 | E*1P36B+TDR+TXV                             | A96US2V045B12 | 20.00 | 14.50 | 24000                                 | 18000                   | 800      | 500     | 375     | 3/4                    | 3/8    | 3/4     | 3/8    | 3/4                   | 3/8    |                         |         |
|                 | E*1P29A+TDR+TXV                             | A96US2V045B12 | 20.00 | 14.00 | 24000                                 | 18000                   | 800      | 500     | 375     | 3/4                    | 3/8    | 3/4     | 3/8    | 3/4                   | 3/8    |                         |         |
|                 | E*1P29B+TDR+TXV                             | A96US2V045B12 | 20.00 | 14.00 | 24000                                 | 18000                   | 800      | 500     | 375     | 3/4                    | 3/8    | 3/4     | 3/8    | 3/4                   | 3/8    |                         |         |
|                 | E*1P29B+TDR+TXV                             | A96US2V070B12 | 20.00 | 14.50 | 24000                                 | 18000                   | 800      | 500     | 375     | 3/4                    | 3/8    | 3/4     | 3/8    | 3/4                   | 3/8    |                         |         |
|                 | E*1P36A+TDR+TXV                             | A96US2V070B12 | 20.00 | 14.50 | 24000                                 | 18000                   | 800      | 500     | 375     | 3/4                    | 3/8    | 3/4     | 3/8    | 3/4                   | 3/8    |                         |         |
|                 | E*1P36B+TDR+TXV                             | A96US2V070B12 | 20.00 | 14.50 | 24000                                 | 18000                   | 800      | 500     | 375     | 3/4                    | 3/8    | 3/4     | 3/8    | 3/4                   | 3/8    |                         |         |
|                 | E*1P29A+TDR+TXV                             | A96US2V070B12 | 20.00 | 14.00 | 24000                                 | 18000                   | 800      | 500     | 375     | 3/4                    | 3/8    | 3/4     | 3/8    | 3/4                   | 3/8    |                         |         |
|                 | E*1P29B+TDR+TXV                             | A97USMV070B12 | 20.00 | 14.50 | 24000                                 | 18000                   | 800      | 500     | 375     | 3/4                    | 3/8    | 3/4     | 3/8    | 3/4                   | 3/8    |                         |         |
|                 | E*1P36A+TDR+TXV                             | A97USMV070B12 | 20.00 | 14.50 | 24000                                 | 18000                   | 800      | 500     | 375     | 3/4                    | 3/8    | 3/4     | 3/8    | 3/4                   | 3/8    |                         |         |
|                 | E*1P36B+TDR+TXV                             | A97USMV070B12 | 20.00 | 14.50 | 24000                                 | 18000                   | 800      | 500     | 375     | 3/4                    | 3/8    | 3/4     | 3/8    | 3/4                   | 3/8    |                         |         |
|                 | E*1P29A+TDR+TXV                             | A97USMV070B12 | 20.00 | 14.00 | 24000                                 | 18000                   | 800      | 500     | 375     | 3/4                    | 3/8    | 3/4     | 3/8    | 3/4                   | 3/8    |                         |         |
| 4SCU20LX136P-1  | E*1P43B+TDR+TXV                             | A80US2V090B12 | 20.00 | 14.00 | 35400                                 | 25500                   | 1250     | 720     | 550     | 7/8                    | 3/8    | 3/4     | 3/8    | 7/8                   | 3/8    | NA                      | A4TXV02 |
|                 | E*1P36B+TDR+TXV                             | A80US2V090B12 | 20.00 | 13.50 | 35200                                 | 25500                   | 1250     | 720     | 550     | 7/8                    | 3/8    | 3/4     | 3/8    | 7/8                   | 3/8    |                         |         |
|                 | E*1P48B+TDR+TXV                             | A80US2V090B12 | 20.00 | 13.50 | 34800                                 | 25500                   | 1250     | 720     | 550     | 7/8                    | 3/8    | 3/4     | 3/8    | 7/8                   | 3/8    |                         |         |
|                 | E*1P43B+TDR+TXV                             | A80US2V090B16 | 20.00 | 14.00 | 35400                                 | 25500                   | 1250     | 720     | 550     | 7/8                    | 3/8    | 3/4     | 3/8    | 7/8                   | 3/8    |                         |         |
|                 | E*1P36B+TDR+TXV                             | A80US2V090B16 | 20.00 | 13.50 | 35000                                 | 25500                   | 1250     | 720     | 550     | 7/8                    | 3/8    | 3/4     | 3/8    | 7/8                   | 3/8    |                         |         |
|                 | E*1P48B+TDR+TXV                             | A80US2V090B16 | 20.00 | 13.50 | 34800                                 | 25500                   | 1250     | 720     | 550     | 7/8                    | 3/8    | 3/4     | 3/8    | 7/8                   | 3/8    |                         |         |
|                 | E*1P36B+TDR+TXV                             | A96US2V045B12 | 20.00 | 13.00 | 34800                                 | 25500                   | 1250     | 720     | 550     | 7/8                    | 3/8    | 3/4     | 3/8    | 7/8                   | 3/8    |                         |         |
|                 | E*1P43B+TDR+TXV                             | A96US2V045B12 | 20.00 | 13.00 | 35200                                 | 25500                   | 1250     | 720     | 550     | 7/8                    | 3/8    | 7/8     | 3/8    | 7/8                   | 3/8    |                         |         |
|                 | E*1P48B+TDR+TXV                             | A96US2V045B12 | 20.00 | 13.00 | 34600                                 | 25500                   | 1250     | 720     | 550     | 7/8                    | 3/8    | 7/8     | 3/8    | 7/8                   | 3/8    |                         |         |
|                 | E*1P36B+TDR+TXV                             | A96US2V070B12 | 20.00 | 13.00 | 35000                                 | 25500                   | 1250     | 720     | 550     | 7/8                    | 3/8    | 7/8     | 3/8    | 7/8                   | 3/8    |                         |         |
|                 | E*1P43B+TDR+TXV                             | A96US2V070B12 | 20.00 | 13.00 | 35200                                 | 25500                   | 1250     | 720     | 550     | 7/8                    | 3/8    | 7/8     | 3/8    | 7/8                   | 3/8    |                         |         |
|                 | E*1P48B+TDR+TXV                             | A96US2V070B12 | 20.00 | 13.00 | 34600                                 | 25500                   | 1250     | 720     | 550     | 7/8                    | 3/8    | 7/8     | 3/8    | 7/8                   | 3/8    |                         |         |
|                 | E*1P43C+TDR+TXV                             | A96US2V090C12 | 20.00 | 13.50 | 35400                                 | 25500                   | 1250     | 720     | 550     | 7/8                    | 3/8    | 7/8     | 3/8    | 7/8                   | 3/8    |                         |         |
|                 | E*1P48C+TDR+TXV                             | A96US2V090C12 | 20.00 | 13.50 | 34800                                 | 25500                   | 1250     | 720     | 550     | 7/8                    | 3/8    | 7/8     | 3/8    | 7/8                   | 3/8    |                         |         |
|                 | E*1P50C+TDR+TXV                             | A96US2V090C12 | 20.00 | 13.50 | 35200                                 | 25500                   | 1250     | 720     | 550     | 7/8                    | 3/8    | 7/8     | 3/8    | 7/8                   | 3/8    |                         |         |
|                 | E*1P43C+TDR+TXV                             | A96US2V090C16 | 20.00 | 14.00 | 35400                                 | 25500                   | 1250     | 720     | 550     | 7/8                    | 3/8    | 7/8     | 3/8    | 7/8                   | 3/8    |                         |         |
|                 | E*1P48C+TDR+TXV                             | A96US2V090C16 | 20.00 | 13.50 | 34800                                 | 25500                   | 1250     | 720     | 550     | 7/8                    | 3/8    | 7/8     | 3/8    | 7/8                   | 3/8    |                         |         |
|                 | E*1P50C+TDR+TXV                             | A96US2V090C16 | 20.00 | 13.50 | 35200                                 | 25500                   | 1250     | 720     | 550     | 7/8                    | 3/8    | 7/8     | 3/8    | 7/8                   | 3/8    |                         |         |
|                 | E*1P43C+TDR+TXV                             | A96US2V110C16 | 20.00 | 14.00 | 35400                                 | 25500                   | 1250     | 720     | 550     | 7/8                    | 3/8    | 7/8     | 3/8    | 7/8                   | 3/8    |                         |         |
|                 | E*1P43C+TDR+TXV                             | A96US2V110C20 | 20.00 | 14.00 | 35400                                 | 25500                   | 1250     | 720     | 550     | 7/8                    | 3/8    | 7/8     | 3/8    | 7/8                   | 3/8    |                         |         |
| E*1P43C+TDR+TXV | A96US2V110C20                               | 20.00         | 13.50 | 34800 | 25500                                 | 1250                    | 720      | 550     | 7/8     | 3/8                    | 7/8    | 3/8     | 7/8    | 3/8                   |        |                         |         |
| E*1P43B+TDR+TXV | A97USMV070B12                               | 20.00         | 13.50 | 35200 | 25500                                 | 1250                    | 720      | 550     | 7/8     | 3/8                    | 7/8    | 3/8     | 7/8    | 3/8                   |        |                         |         |
| E*1P36B+TDR+TXV | A97USMV070B12                               | 20.00         | 13.00 | 35000 | 25500                                 | 1250                    | 720      | 550     | 7/8     | 3/8                    | 7/8    | 3/8     | 7/8    | 3/8                   |        |                         |         |

Note:

1. Certified in accordance with Unitary Air Conditioner Certification Program, which is based on AHRI Standard 210/240
2. Required to achieve AHRI rating. If NA (Not Applicable) is in the piston column, then TXV is required.
3. A blower time delay relay is standard on all Allied Air Enterprises furnace and AH products.

**COOLING PERFORMANCE WITH AIR HANDLERS AND FURNACES**

| Outdoor Model         | Indoor Model                                | Furnace       | SEER  | EER   | AHRI Rated Capacity <sup>1</sup> BTUH | Sensible Rated Capacity | CFM High | CFM Med | CFM Low | Refrigerant Connection |        |         |        | Refrigerant Line Size |        | Indoor Expansion Device |          |
|-----------------------|---|---------------|-------|-------|---------------------------------------|-------------------------|----------|---------|---------|------------------------|--------|---------|--------|-----------------------|--------|-------------------------|----------|
|                       | Evaporator Coil or Air Handler <sup>3</sup> |               |       |       |                                       |                         |          |         |         | Outdoor                |        | Indoor  |        | Suction               | Liquid | Piston <sup>2</sup>     | TXV      |
|                       |   |               |       |       |                                       |                         |          |         |         | Suction                | Liquid | Suction | Liquid |                       |        |                         |          |
|                       |   |               |       |       |                                       |                         |          |         |         |                        |        |         |        |                       |        |                         |          |
| <b>4SCU20LX136P-1</b> | BCE4M36S                                    |               | 20.00 | 13.00 | 34400                                 | 25500                   | 1250     | 720     | 550     | 7/8                    | 3/8    | 7/8     | 3/8    | 7/8                   | 3/8    | NA                      | HA4TXV02 |
|                       | E*1P48B+TDR+TXV                             | A97USMV070B12 | 20.00 | 13.00 | 34600                                 | 25500                   | 1250     | 720     | 550     | 7/8                    | 3/8    | 7/8     | 3/8    | 7/8                   | 3/8    |                         |          |
|                       | E*1P43C+TDR+TXV                             | A97USMV090C12 | 20.00 | 13.50 | 35400                                 | 25500                   | 1250     | 720     | 550     | 7/8                    | 3/8    | 7/8     | 3/8    | 7/8                   | 3/8    |                         |          |
|                       | E*1P48C+TDR+TXV                             | A97USMV090C12 | 20.00 | 13.50 | 34800                                 | 25500                   | 1250     | 720     | 550     | 7/8                    | 3/8    | 7/8     | 3/8    | 7/8                   | 3/8    |                         |          |
|                       | E*1P50C+TDR+TXV                             | A97USMV090C12 | 20.00 | 13.50 | 35200                                 | 25500                   | 1250     | 720     | 550     | 7/8                    | 3/8    | 7/8     | 3/8    | 7/8                   | 3/8    |                         |          |
|                       | E*1P43C+TDR+TXV                             | A97USMV090C16 | 20.00 | 14.00 | 35400                                 | 25500                   | 1250     | 720     | 550     | 7/8                    | 3/8    | 7/8     | 3/8    | 7/8                   | 3/8    |                         |          |
|                       | E*1P48C+TDR+TXV                             | A97USMV090C16 | 20.00 | 13.50 | 34800                                 | 25500                   | 1250     | 720     | 550     | 7/8                    | 3/8    | 7/8     | 3/8    | 7/8                   | 3/8    |                         |          |
|                       | E*1P50C+TDR+TXV                             | A97USMV090C16 | 20.00 | 13.50 | 35200                                 | 25500                   | 1250     | 720     | 550     | 7/8                    | 3/8    | 7/8     | 3/8    | 7/8                   | 3/8    |                         |          |
|                       | E*1P43C+TDR+TXV                             | A97USMV110C20 | 20.00 | 14.00 | 35400                                 | 25500                   | 1250     | 720     | 550     | 7/8                    | 3/8    | 7/8     | 3/8    | 7/8                   | 3/8    |                         |          |
|                       | E*1P48C+TDR+TXV                             | A97USMV110C20 | 20.00 | 13.50 | 34800                                 | 25500                   | 1250     | 720     | 550     | 7/8                    | 3/8    | 7/8     | 3/8    | 7/8                   | 3/8    |                         |          |
| <b>4SCU20LX148P-1</b> | BCE4M48S                                    |               | 20.00 | 13.00 | 46000                                 | 33500                   | 1580     | 1050    | 830     | 7/8                    | 3/8    | 7/8     | 3/8    | 7/8                   | 3/8    | NA                      | HA4TXV03 |
|                       | BCE4M60S                                    |               | 20.00 | 13.00 | 46500                                 | 33500                   | 1580     | 1050    | 830     | 7/8                    | 3/8    | 7/8     | 3/8    | 7/8                   | 3/8    |                         |          |
|                       | E*1P43B+TDR+TXV                             | A80US2V090B16 | 19.00 | 12.00 | 45500                                 | 33500                   | 1580     | 1050    | 830     | 7/8                    | 3/8    | 7/8     | 3/8    | 7/8                   | 3/8    |                         |          |
|                       | E*1P48B+TDR+TXV                             | A80US2V090B16 | 19.00 | 12.00 | 45000                                 | 33500                   | 1580     | 1050    | 830     | 7/8                    | 3/8    | 7/8     | 3/8    | 7/8                   | 3/8    |                         |          |
|                       | E*1P48C+TDR+TXV                             | A80US2V090B16 | 19.00 | 12.00 | 45000                                 | 33500                   | 1580     | 1050    | 830     | 7/8                    | 3/8    | 7/8     | 3/8    | 7/8                   | 3/8    |                         |          |
|                       | E*1P43C+TDR+TXV                             | A80US2V090C20 | 19.00 | 12.50 | 46000                                 | 33500                   | 1580     | 1050    | 830     | 7/8                    | 3/8    | 7/8     | 3/8    | 7/8                   | 3/8    |                         |          |
|                       | E*1P49C+TDR+TXV                             | A80US2V090C20 | 19.00 | 12.50 | 46500                                 | 33500                   | 1580     | 1050    | 830     | 7/8                    | 3/8    | 7/8     | 3/8    | 7/8                   | 3/8    |                         |          |
|                       | E*1P50C+TDR+TXV                             | A80US2V090C20 | 19.00 | 12.50 | 45500                                 | 33500                   | 1580     | 1050    | 830     | 7/8                    | 3/8    | 7/8     | 3/8    | 7/8                   | 3/8    |                         |          |
|                       | E*1P48C+TDR+TXV                             | A80US2V090C20 | 18.50 | 12.00 | 45000                                 | 33500                   | 1580     | 1050    | 830     | 7/8                    | 3/8    | 7/8     | 3/8    | 7/8                   | 3/8    |                         |          |
|                       | E*1P43C+TDR+TXV                             | A80US2V110C20 | 19.00 | 12.50 | 46000                                 | 33500                   | 1580     | 1050    | 830     | 7/8                    | 3/8    | 7/8     | 3/8    | 7/8                   | 3/8    |                         |          |
|                       | E*1P50C+TDR+TXV                             | A80US2V110C20 | 19.00 | 12.20 | 45500                                 | 33500                   | 1580     | 1050    | 830     | 7/8                    | 3/8    | 7/8     | 3/8    | 7/8                   | 3/8    |                         |          |
|                       | E*1P48C+TDR+TXV                             | A80US2V110C20 | 19.00 | 12.00 | 45000                                 | 33500                   | 1580     | 1050    | 830     | 7/8                    | 3/8    | 7/8     | 3/8    | 7/8                   | 3/8    |                         |          |
|                       | E*1P43C+TDR+TXV                             | A96US2V090C16 | 19.00 | 12.00 | 45500                                 | 33500                   | 1580     | 1050    | 830     | 7/8                    | 3/8    | 7/8     | 3/8    | 7/8                   | 3/8    |                         |          |
|                       | E*1P43C+TDR+TXV                             | A96US2V110C16 | 19.50 | 12.50 | 46000                                 | 33500                   | 1580     | 1050    | 830     | 7/8                    | 3/8    | 7/8     | 3/8    | 7/8                   | 3/8    |                         |          |
|                       | E*1P43C+TDR+TXV                             | A97USMV090C16 | 19.50 | 12.50 | 46000                                 | 33500                   | 1580     | 1050    | 830     | 7/8                    | 3/8    | 7/8     | 3/8    | 7/8                   | 3/8    |                         |          |
|                       | E*1P49C+TDR+TXV                             | A97USMV090C16 | 19.50 | 12.50 | 46500                                 | 33500                   | 1580     | 1050    | 830     | 7/8                    | 3/8    | 7/8     | 3/8    | 7/8                   | 3/8    |                         |          |
|                       | E*1P50C+TDR+TXV                             | A97USMV090C16 | 19.00 | 12.20 | 45500                                 | 33500                   | 1580     | 1050    | 830     | 7/8                    | 3/8    | 7/8     | 3/8    | 7/8                   | 3/8    |                         |          |
|                       | E*1P48C+TDR+TXV                             | A97USMV090C16 | 19.00 | 12.00 | 45000                                 | 33500                   | 1580     | 1050    | 830     | 7/8                    | 3/8    | 7/8     | 3/8    | 7/8                   | 3/8    |                         |          |
|                       | E*1P43C+TDR+TXV                             | A97USMV090C20 | 19.50 | 12.50 | 46000                                 | 33500                   | 1580     | 1050    | 830     | 7/8                    | 3/8    | 7/8     | 3/8    | 7/8                   | 3/8    |                         |          |
|                       | E*1P49C+TDR+TXV                             | A97USMV090C20 | 19.00 | 12.50 | 46500                                 | 33500                   | 1580     | 1050    | 830     | 7/8                    | 3/8    | 7/8     | 3/8    | 7/8                   | 3/8    |                         |          |
|                       | E*1P50C+TDR+TXV                             | A97USMV090C20 | 19.00 | 12.20 | 45500                                 | 33500                   | 1580     | 1050    | 830     | 7/8                    | 3/8    | 7/8     | 3/8    | 7/8                   | 3/8    |                         |          |
|                       | E*1P48C+TDR+TXV                             | A97USMV090C20 | 18.50 | 12.00 | 45000                                 | 33500                   | 1580     | 1050    | 830     | 7/8                    | 3/8    | 7/8     | 3/8    | 7/8                   | 3/8    |                         |          |
|                       | E*1P43C+TDR+TXV                             | A97USMV110C20 | 19.50 | 12.50 | 46000                                 | 33500                   | 1580     | 1050    | 830     | 7/8                    | 3/8    | 7/8     | 3/8    | 7/8                   | 3/8    |                         |          |
|                       | E*1P48C+TDR+TXV                             | A97USMV110C20 | 19.00 | 12.50 | 46500                                 | 33500                   | 1580     | 1050    | 830     | 7/8                    | 3/8    | 7/8     | 3/8    | 7/8                   | 3/8    |                         |          |
|                       | E*1P49C+TDR+TXV                             | A97USMV110C20 | 19.00 | 12.50 | 46500                                 | 33500                   | 1580     | 1050    | 830     | 7/8                    | 3/8    | 7/8     | 3/8    | 7/8                   | 3/8    |                         |          |
|                       | E*1P50C+TDR+TXV                             | A97USMV110C20 | 19.00 | 12.20 | 45500                                 | 33500                   | 1580     | 1050    | 830     | 7/8                    | 3/8    | 7/8     | 3/8    | 7/8                   | 3/8    |                         |          |

Note:

1. Certified in accordance with Unitary Air Conditioner Certification Program, which is based on AHRI Standard 210/240
2. Required to achieve AHRI rating. If NA (Not Applicable) is in the piston column, then TXV is required.
3. A blower time delay relay is standard on all Allied Air Enterprises furnace and AH products.

**COOLING PERFORMANCE WITH AIR HANDLERS AND FURNACES**

| Outdoor Model         | Indoor Model                                | Furnace       | SEER  | EER   | AHRI Rated Capacity <sup>1</sup> BTUH | Sensible Rated Capacity | CFM High | CFM Med | CFM Low | Refrigerant Connection |        |         |        | Refrigerant Line Size |        | Indoor Expansion Device |         |
|-----------------------|---|---------------|-------|-------|---------------------------------------|-------------------------|----------|---------|---------|------------------------|--------|---------|--------|-----------------------|--------|-------------------------|---------|
|                       | Evaporator Coil or Air Handler <sup>3</sup> |               |       |       |                                       |                         |          |         |         | Outdoor                |        | Indoor  |        | Suction               | Liquid | Piston <sup>2</sup>     | TXV     |
|                       |   |               |       |       |                                       |                         |          |         |         | Suction                | Liquid | Suction | Liquid |                       |        |                         |         |
|                       |   |               |       |       |                                       |                         |          |         |         |                        |        |         |        |                       |        |                         |         |
| <b>4SCU20LX160P-1</b> | BCE4M60S                                    |               | 19.00 | 13.00 | 57000                                 | 41500                   | 1800     | 1135    | 890     | 7/8                    | 3/8    | 7/8     | 3/8    | 1 1/8                 | 3/8    | NA                      | H4TXV03 |
|                       | E*1P49C+TDR+TXV                             | A80US2V090C20 | 19.00 | 13.00 | 57000                                 | 41500                   | 1800     | 1135    | 890     | 7/8                    | 3/8    | 7/8     | 3/8    | 1 1/8                 | 3/8    |                         |         |
|                       | E*1P62C+TDR+TXV                             | A80US2V090C20 | 19.00 | 13.00 | 58000                                 | 41500                   | 1800     | 1135    | 890     | 7/8                    | 3/8    | 7/8     | 3/8    | 1 1/8                 | 3/8    |                         |         |
|                       | E*1P62C+TDR+TXV                             | A80US2V110C20 | 19.00 | 13.00 | 58000                                 | 41500                   | 1800     | 1135    | 890     | 7/8                    | 3/8    | 7/8     | 3/8    | 1 1/8                 | 3/8    |                         |         |
|                       | E*1P49C+TDR+TXV                             | A80US2V110C20 | 19.00 | 12.50 | 57000                                 | 41500                   | 1800     | 1135    | 890     | 7/8                    | 3/8    | 7/8     | 3/8    | 1 1/8                 | 3/8    |                         |         |
|                       | E*1P60D+TDR+TXV                             | A80US2V135D20 | 19.00 | 13.00 | 57000                                 | 41500                   | 1800     | 1135    | 890     | 7/8                    | 3/8    | 7/8     | 3/8    | 1 1/8                 | 3/8    |                         |         |
|                       | E*1P62D+TDR+TXV                             | A80US2V135D20 | 19.00 | 13.00 | 57500                                 | 41500                   | 1800     | 1135    | 890     | 7/8                    | 3/8    | 7/8     | 3/8    | 1 1/8                 | 3/8    |                         |         |
|                       | E*1P62C+TDR+TXV                             | A97USMV090C20 | 19.00 | 12.75 | 58000                                 | 41500                   | 1800     | 1135    | 890     | 7/8                    | 3/8    | 7/8     | 3/8    | 1 1/8                 | 3/8    |                         |         |
|                       | E*1P49C+TDR+TXV                             | A97USMV090C20 | 19.00 | 12.50 | 56500                                 | 41500                   | 1800     | 1135    | 890     | 7/8                    | 3/8    | 7/8     | 3/8    | 1 1/8                 | 3/8    |                         |         |
|                       | E*1P62C+TDR+TXV                             | A97USMV110C20 | 19.00 | 13.00 | 58000                                 | 41500                   | 1800     | 1135    | 890     | 7/8                    | 3/8    | 7/8     | 3/8    | 1 1/8                 | 3/8    |                         |         |
|                       | E*1P49C+TDR+TXV                             | A97USMV110C20 | 19.00 | 12.50 | 56500                                 | 41500                   | 1800     | 1135    | 890     | 7/8                    | 3/8    | 7/8     | 3/8    | 1 1/8                 | 3/8    |                         |         |
|                       | E*1P62D+TDR+TXV                             | A97USMV135D20 | 19.00 | 13.00 | 57500                                 | 41500                   | 1800     | 1135    | 890     | 7/8                    | 3/8    | 7/8     | 3/8    | 1 1/8                 | 3/8    |                         |         |
|                       | E*1P60D+TDR+TXV                             | A97USMV135D20 | 19.00 | 12.50 | 56500                                 | 41500                   | 1800     | 1135    | 890     | 7/8                    | 3/8    | 7/8     | 3/8    | 1 1/8                 | 3/8    |                         |         |

Note:

1. Certified in accordance with Unitary Air Conditioner Certification Program, which is based on AHRI Standard 210/240
2. Required to achieve AHRI rating. If NA (Not Applicable) is in the piston column, then TXV is required.
3. A blower time delay relay is standard on all Allied Air Enterprises furnace and AH products.

**ACCESSORIES**

| Description                     | Where Used                | Kit Number        |
|---------------------------------|---------------------------|-------------------|
| TXV Kit                         | 4SCU20LX124               | A4TXV01           |
|                                 | 4SCU20LX136               | A4TXV02           |
|                                 | 4SCU20LX148 - 4SCU20LX160 | H4TXV03           |
| Freezestat                      | 3/8 tubing                | 93G35             |
| Crankcase Heater                | All models                | Factory Installed |
| Sound Cover                     | All models                | Factory Installed |
| Loss of Charge Kit              | All models                | Factory Installed |
| Comfort Sync™ Wi-Fi Thermostat  | All models                | 1.841197          |
| Comfort Sync™ Zoning Controller | All models                | 1.851399          |
| Comfort Sync™ In-Zone Sensor    | All models                | 1.8514            |
| Discharge Temperature Sensor    | All models                | 88K38             |





1-800-448-5872

All specifications and illustrations subject to change without notice and without incurring obligations.