

# 13<sup>SEER</sup>

# Light Commercial 3 Phase Packaged Gas / Electric

Form No. AC-RGE13-100 (04/2013)

## RGE13 Features and Benefits

### Refrigerant System

- Environmentally friendly R410A refrigerant
- Copper tubing with enhanced fin coils
- External service gauge ports

### Heat Exchanger

- Aluminized steel tapered S-curve
- Crimped no weld construction for longer life
- "L" models comply with California Energy Commission Low NOx regulations

### Cabinet Construction

- Low profile, with compact footprint
- Insulation to minimize heat loss plus reduce sound
- Baked on pre painted steel cabinet finish
- Easy service access
- Wire grill protection
- One piece "no leak" top design

### Blower

- Insulated compartment to reduce sound
- High efficiency multispeed motor for wide airflow range

### Installation

- Full perimeter base rail system for easy installation
- Horizontal or down discharge, duct covers provided
- Utility connections on "right side"
- Filter channels for 1" filter field provided
- Factory Installed Economizer Harness for easy accessory connections



### Controls

- Solid state integrated blower control board with L.E.D. diagnostics
- Direct spark ignition

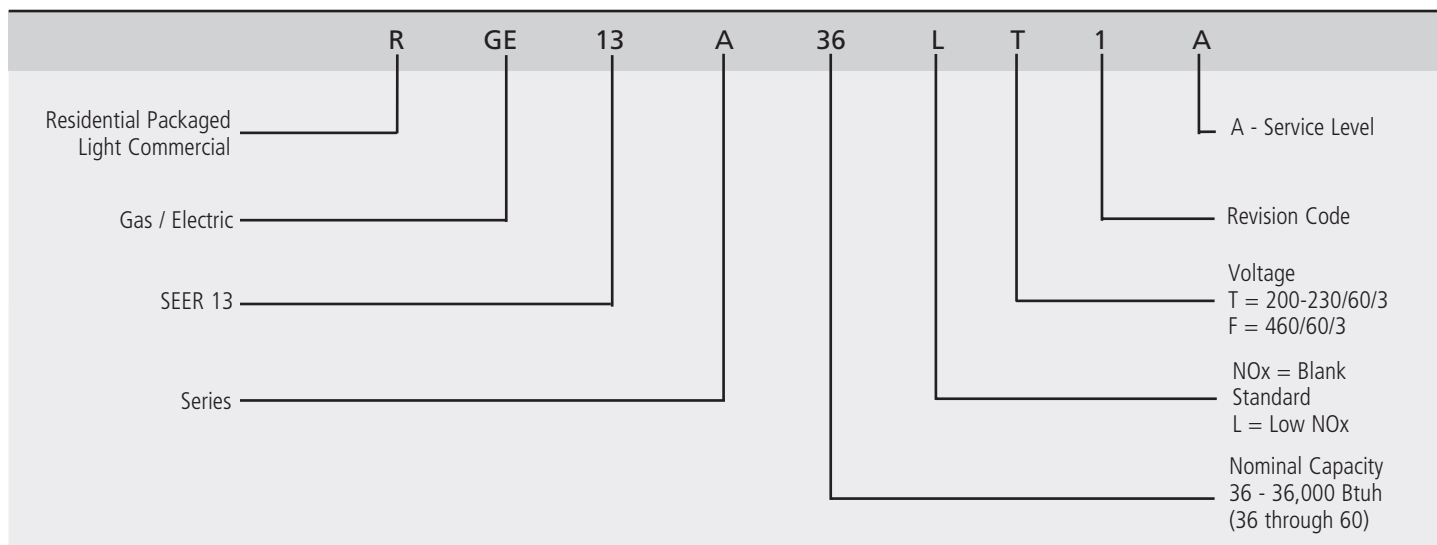
### Warranty

- 1 year limited parts warranty
- 5 year limited compressor warranty
- 10 year limited heat exchanger warranty
- See limited warranty document for details.



**ALLIED**  
Commercial

### Model Number Guide



### Electrical and Physical Data

Model	Voltage/HZ/ Phase	Voltage Range 60 hz	Minimum Circuit Amp.	Maximum Over Current Device (amps)	Compressor		Condenser Fan Motor			Indoor Blower Motor		Exhaust Motor		Refrig. Charge	Shipping Weight (lbs.)
					Rated Load (amps)	Locked Rotor (amps)	Rated Load (amps)	Rated HP	Nom. RPM	Rated Load (amps)	Rated HP	Rated Load (amps)	Rated HP		
RGE13A36075(L)T-1	200-230/60/3	187-253	16.1	20	8.6	68	1.2	1/4	1075	4.1	1/2	0.7	1/30	117	410
RGE13A36100(L)T-1	200-230/60/3	187-253	16.1	20	8.6	68	1.2	1/4	1075	4.1	1/2	0.7	1/30	117	420
RGE13A48100(L)T-1	200-230/60/3	187-253	22.3	30	11.8	88	1.7	1/3	1075	5.8	3/4	0.7	1/30	104	455
RGE13A48125(L)T-1	200-230/60/3	187-253	22.3	30	11.8	88	1.7	1/3	1075	5.8	3/4	0.7	1/30	104	465
RGE13A60100(L)T-1	200-230/60/3	187-253	27.3	40	15.9	110	1.7	1/3	1075	5.8	1	0.7	1/30	140	505
RGE13A60125(L)T-1	200-230/60/3	187-253	27.3	40	15.9	110	1.7	1/3	1075	5.8	1	0.7	1/30	140	515
RGE13A48100(L)F-1	460/60/3	414-506	10.7	15	5.2	44	1.0	1/3	1075	3.2	3/4	0.7	1/30	104	465
RGE13A48125(L)F-1	460/60/3	414-506	10.7	15	5.2	44	1.0	1/3	1075	3.2	3/4	0.7	1/30	104	475
RGE13A60100(L)F-1	460/60/3	414-506	13.8	20	7.0	52	1.0	1/3	1075	4.0	1	0.7	1/30	140	515
RGE13A60125(L)F-1	460/60/3	414-506	13.8	20	7.0	52	1.0	1/3	1075	4.0	1	0.7	1/30	140	525

*Note:*  
Weights listed are unit weights with packaging

### Cooling and Heating Performance

Model	Cooling					Heating			
	SEER	EER	Rated AHRI Capacity <sup>1</sup> BTUH	Rated Sensible Capacity BTUH	CFM	Input BTUH	Output BTUH	Efficiency AFUE	Temp Rise Range °F
RGE13A36(L)T-1	13.0	11.0	34,000	24,100	1200	75,000	60,000	80%	35 - 65
						100,000	80,000		45 - 75
RGE13A48(L)T, F-1	13.0	11.0	46,000	34,500	1600	100,000	80,000	80%	40 - 70
						125,000	100,000		45 - 75
RGE13A60(L)T, F-1	13.0	11.0	56,000	40,300	1800	100,000	80,000	80%	40 - 70
						125,000	100,000		45 - 75

Note:  
 Certified in accordance with Unitary Air Conditioner Certification Program,  
 which is based on AHRI Standard 210/240

### Blower Performance

Model	Blower Tap* (1 - 5)	CFM @ ext. Static Pressure in in. wc without filter, dry coil							
		0.1	0.2	0.3	0.4	0.5	0.6	0.7	0.8
RGE13A36(L)T-1	1	760	680	600	550	490	---	---	---
	2	1250	1210	1180	1130	1090	1060	1010	960
	3	1370	1330	1280	1250	1210	1170	1120	1040
RGE13A48(L)T, F-1	1	970	890	820	780	740	680	---	---
	2	1680	1640	1590	1540	1450	1330	1260	1180
	3	1890	1820	1730	1620	1540	1430	1300	1210
RGE13A60(L)T, F-1	1	1200	1130	1070	990	930	860	-	-
	2	1870	1840	1800	1760	1700	1650	1600	1550
	3	2010	1970	1930	1890	1850	1810	1760	1700

Add .10 Duct Static for Downflow CFM

\* Tap 1 - Fan Only  
 Tap 2 - Low Static Cooling  
 Tap 3 - High Static Cooling

Taps 4 & 5 designed for Heating mid point temperature rise @:  
 Tap 4 - Nominal .2 ESP  
 Tap 5 - Nominal .5 ESP

### Cooling Performance Extended Ratings

Model	Indoor Temp DB/WB °F	Outdoor Temp - DB°F														
		65°			82°			95°			105°			115°		
		Btuh	S/T	kW	Btuh	S/T	kW	Btuh	S/T	kW	Btuh	S/T	kW	Btuh	S/T	kW
RGE13A36(L)T-1	85/72	39,000	0.62	2.35	37,500	0.64	2.77	36,300	0.65	3.10	34,200	0.68	3.43	31,900	0.70	3.48
	80/67	36,800	0.69	2.34	36,100	0.71	2.73	34,000	0.72	3.09	31,000	0.76	3.33	29,000	0.78	3.47
	75/63	35,600	0.72	2.33	32,900	0.75	2.74	30,700	0.77	3.06	28,500	0.80	3.38	26,100	0.83	3.44
	75/57	32,000	1.00	2.29	31,000	1.00	2.71	30,300	1.00	3.03	28,100	1.00	3.35	25,800	1.00	3.40
RGE13A48(L)T, F-1	85/72	58,200	0.64	3.30	53,700	0.66	3.83	50,300	0.68	4.23	44,800	0.72	4.49	39,300	0.75	4.52
	80/67	54,900	0.70	3.27	51,500	0.71	3.79	46,000	0.76	4.18	41,500	0.80	4.39	33,300	0.86	4.39
	75/63	51,600	0.73	3.24	45,900	0.77	3.74	41,500	0.80	4.12	34,900	0.86	4.33	28,400	0.91	4.32
	75/57	47,800	1.00	3.20	43,900	1.00	3.71	40,900	1.00	4.10	35,300	1.00	4.31	29,600	1.00	4.30
RGE13A60(L)T, F-1	85/72	67,500	0.62	3.83	63,500	0.64	4.54	60,700	0.65	5.08	56,500	0.66	5.65	52,300	0.67	5.60
	80/67	63,600	0.68	3.80	59,800	0.71	4.45	56,000	0.72	5.06	54,300	0.74	5.62	47,200	0.77	5.58
	75/63	60,300	0.71	3.77	55,500	0.73	4.48	52,200	0.75	5.02	47,300	0.78	5.57	42,400	0.81	5.52
	75/57	53,400	1.00	3.73	49,200	1.00	4.43	46,200	1.00	4.97	42,100	1.00	5.54	38,300	1.00	5.49

## Accessories

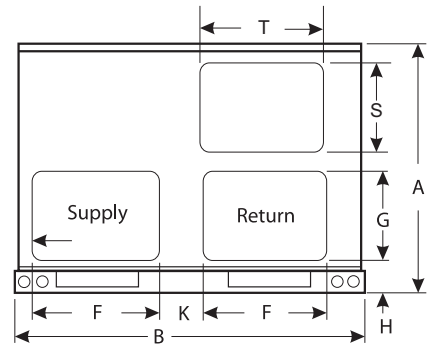
Description	Where Used	Kit No. / Catalog No.
Short Cycle Protector	All Units	47J27
LP Gas Conversion	All Units	ALPKT533-3
Roof Curbs	RGE13A36	ACURB160-1
Roof Curbs	RGE13A48 & RGE13A60	ACURB162-1
Manual Fresh Air Damper	RGE13A36	ADMPR145-1
Manual Fresh Air Damper	RGE13A48 & RGE13A60	ADMPR166-1
Motorized Fresh Air Damper	RGE13A36	ADMPR146-1
Motorized Fresh Air Damper	RGE13A48 & RGE13A60	ADMPR167-1
Downflow Economizer	RGE13A36	AECON825-1
Downflow Economizer	RGE13A48 & RGE13A60	AECON826-1
Horizontal Economizer	RGE13A36	AECON827-1
Horizontal Economizer	RGE13A48 & RGE13A60	AECON828-1

Dimensions (in.)

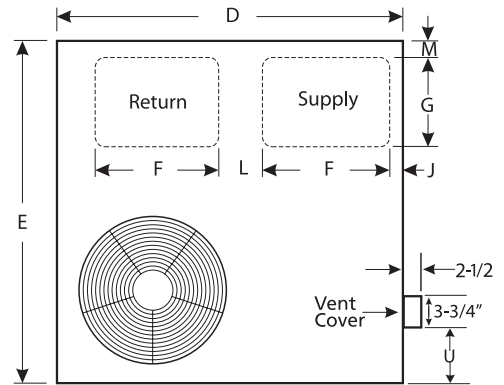
Model No.	A	B	C	D	E	F
RGE13A36(L)T-1	32-1/2	46-1/2	46-1/2	45-5/8	45-5/8	17-1/2
RGE13A48(L)T, F-1	34-1/2	55-1/2	50-1/2	54-5/8	49-5/8	21-1/2
RGE13A60(L)T, F-1						

Model No.	G	H	J	K	L	M
RGE13A36(L)T-1	11-1/2	5-1/2	1-5/8	4	4	1-3/4
RGE13A48(L)T, F-1	12	5-1/2	1-5/8	6-1/4	5-5/8	2-3/8
RGE13A60(L)T, F-1						

Model No.	N	P	Q	R	S	T	U
RGE13A36(L)T-1	15-5/8	20-1/2	9-7/8	9-3/8	-	-	4-1/8
RGE13A48(L)T, F-1	17-1/8	20-3/4	10-3/8	6	12	21-1/2	5-1/4
RGE13A60(L)T, F-1							



REAR



TOP

Minimum clearances to combustable material

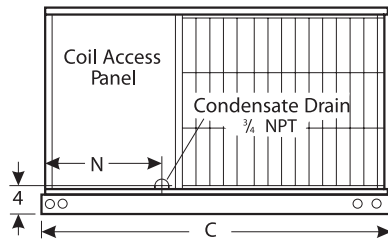
MODEL S	Front	24"
	Left Side	12"
	Right Side	15"
	Back	2"
	Above	48"

Field Provided 1" Filter Dimensions

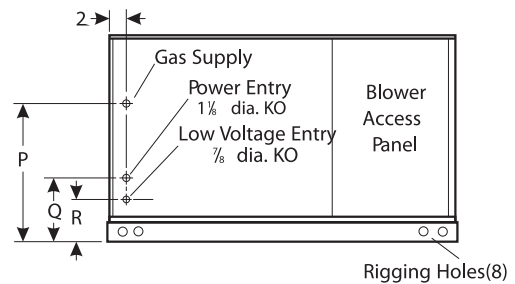
Small Base	3 Ton	24" width 28" height
Large Base	4 & 5 Ton	30" width 30" height

Sound Ratings

Model No.	Sound dBA
RGE13A36(L)T-1	79
RGE13A48(L)T, F-1	80
RGE13A60(L)T, F-1	80



LEFT SIDE

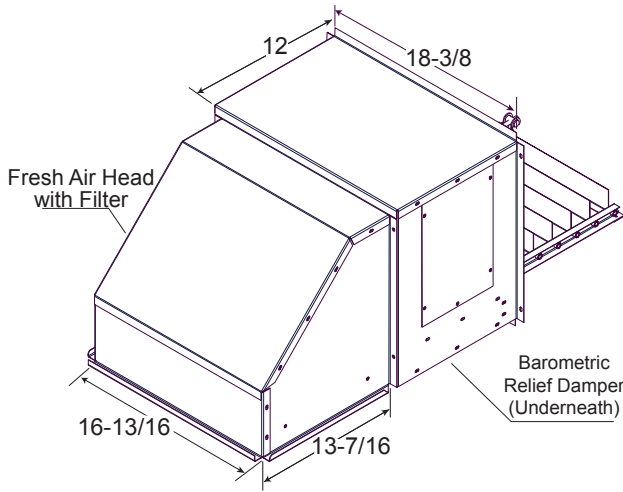


RIGHT SIDE

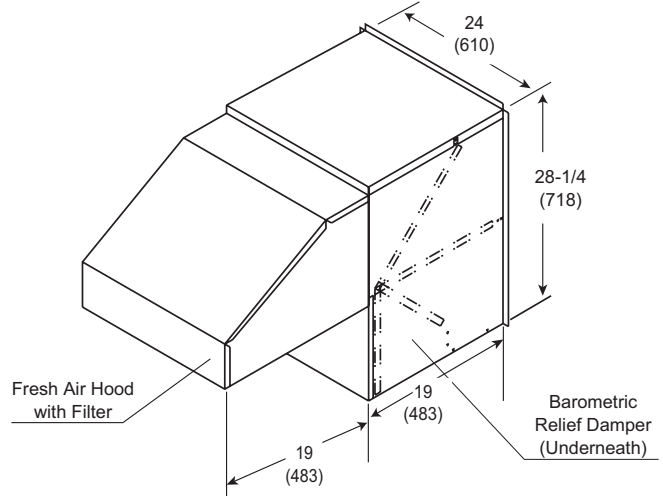
## Accessories Dimensions inches (mm)

### ECONOMIZER DAMPERS - DOWNFLOW

FOR 36 MODEL

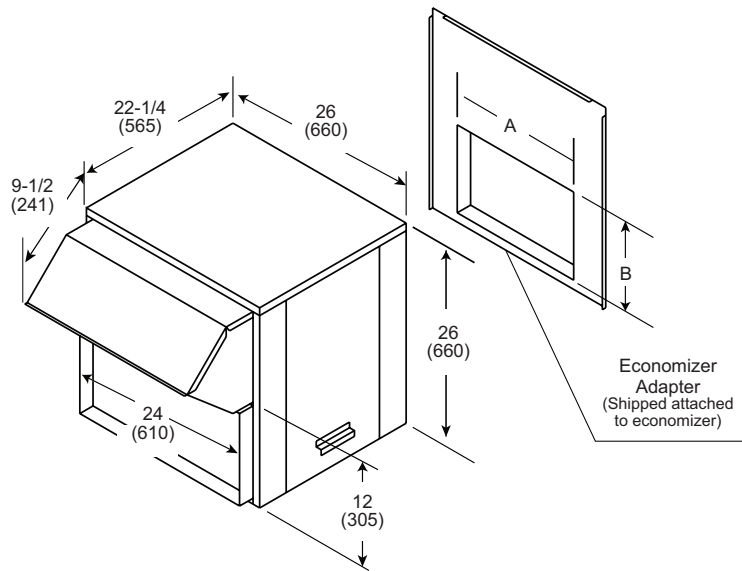


FOR 48 AND 60 MODELS



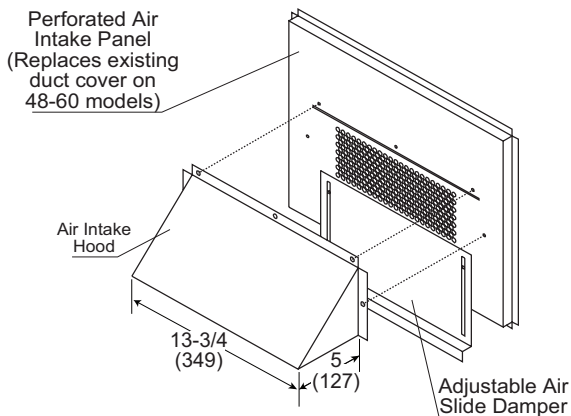
### ECONOMIZER DAMPERS - HORIZONTAL

Model No.	A		B	
	in	mm	in	mm
RGE13A 36	17-5/8	448	11-1/2	292
RGE13A 48, 60	21-3/4	552	12-1/4	311

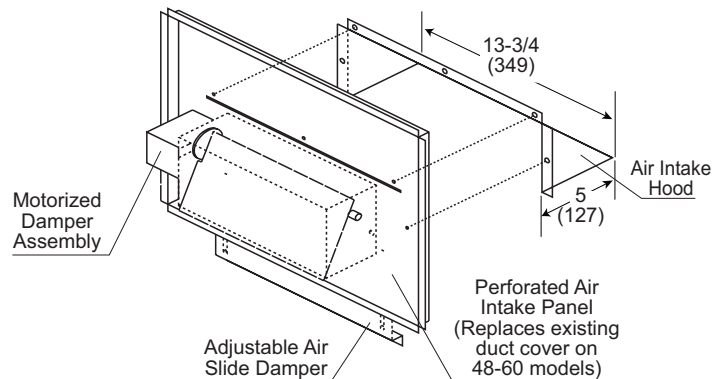


### FRESH AIR DAMPERS

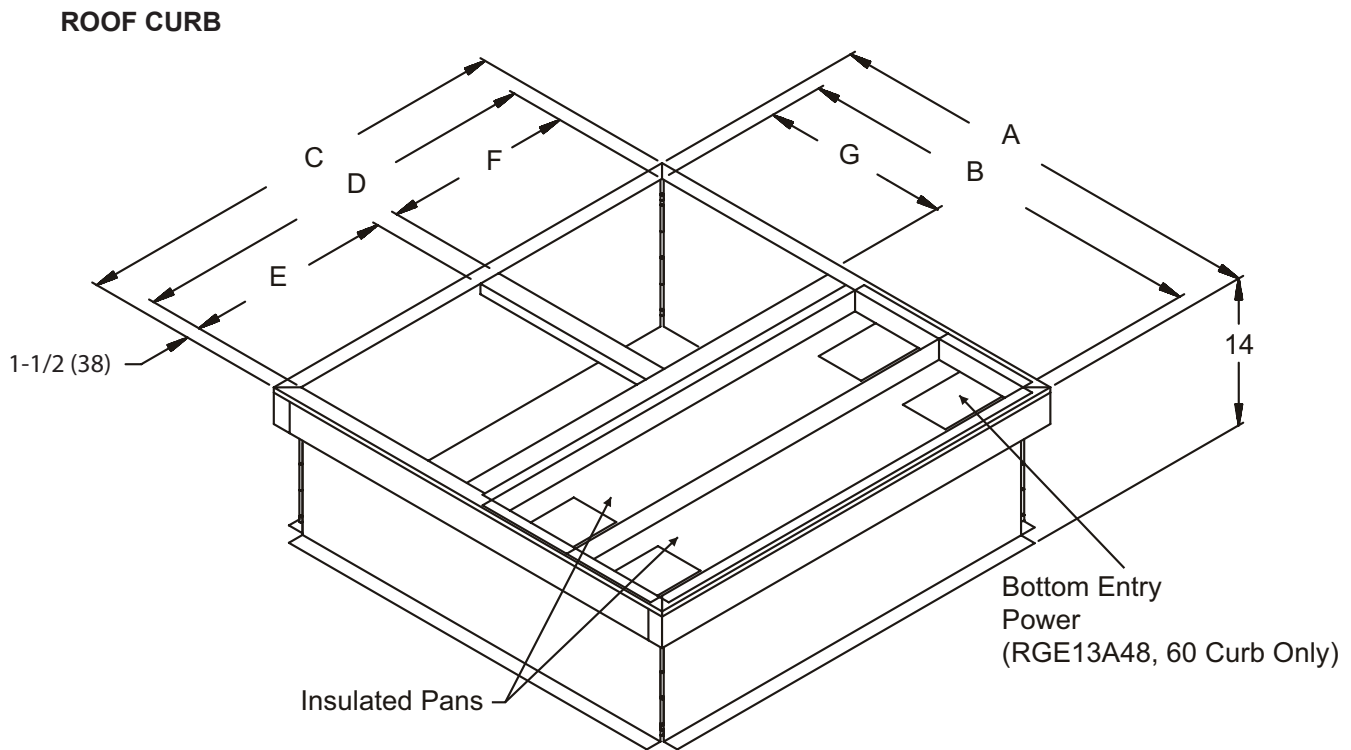
**MANUAL**



**MOTORIZED**



Accessories Dimensions inches (mm)



Model No.	A		B		C		D		E		F		G	
	in	mm	in	mm	in	mm	in	mm	in	mm	in	mm	in	mm
RGE13A36	43	1092	40	1016	43	1092	40	1016	18	457	20	508	19	483
RGE13A48 RGE13A60	47-1/8	1197	44-1/8	1121	52	1321	49	1245	23-1/2	597	23-1/2	597	19-1/2	495

Revisions		
Section	Page #	Description
Performance	3	Rating tables revised



All specifications and illustrations subject to change without notice and without incurring obligations.

Phone: (803) 738-4000  
www.allied-commercial.com