



See unit nameplate for manufacturer's name and address.

**INSTALLATION INSTRUCTIONS FOR EHA150/360 ELECTRIC HEAT ASSEMBLIES
USED WITH LCH/KC/KH 156/360 UNITS**

Shipping and Packing List

Package 1 of 1 contains:

- 2- Electric heat assemblies
- 1- Electric heat control module (used on KC/KH only)
- 1- TB2 terminal block

Electric heat pigtails (quantity varies by model)

- 1- Bag assembly containing:
 - 2- Wiring diagram stickers
 - 20- Screws
- 1- Box assembly containing (used on KC/KH units without hinges only):
 - 2- Electric heat door frames
 - 2- Electric heat doors
 - 4- Door hinges

Inspect package upon receiving. If damage is found, contact last carrier immediately.

F4 Fuse Block

Fuse block assembly (F4) is furnished with the unit. The fuse block is required in single point power installations only.

Terminal Block

TB2 is not required when unit has S48 disconnect or CB10 circuit breaker. Power can be distributed from S48 and CB10 instead of TB2.

⚠ WARNING

Improper installation, adjustment, alteration, service or maintenance can cause property damage, personal injury or loss of life. Installation and service must be performed by a qualified installer, service agency or the gas supplier

⚠ CAUTION

Danger of sharp metallic edges. Can cause injury. Take care when servicing unit to avoid accidental contact with sharp edges.

03/12



Application

EHA150, 156, 240 & 360 electric heat sections are used as primary heaters for packaged cooling units and as a secondary heat source for packaged heat pump units. See table 1 for match-ups. Two electric heat assemblies are used in 156 through 360 units.

Requirements

The EHA 60 Hz series heaters are CSA and ETL design certified. The EHA 50 Hz series heaters are CE compliant.

Installation of electric heaters must conform with standards of the National Fire Protection Association (NFPA) "Standard for Installation of Air Conditioning and Ventilation Systems NFPA No. 90A;" "Standard for the Installation of Residence Type Warm Air Heating and Air Conditioning Systems NFPA No. 90B;" in Canada, CSA C22.1 Canadian Electrical Code — Part I and all applicable CSA requirements; manufacturer's installation instructions and local municipal building codes. Heaters are approved for clearances to combustible materials as listed on heater rating plate.

Accessibility and service clearances must take precedence over fire protection clearances. All wiring must conform with local building codes and the current National Electric Code (NEC) ANSI-C1 and in Canada, CSA C22.1 Canadian Electrical Code —Part I and the applicable CSA requirements.

Installation

- 1- Disconnect all power to unit.
- 2- Remove or open unit heat and compressor access panels. Remove screws and discard rectangular vestibule covers. See unit installation instruction dimension page.

507003-01



3- Insert electric element heat assembly into rectangular vestibule opening and secure assembly using screws provided. See figure 1.

4- *KC/KH Units Only* -
Install electric heat control module in control area as shown in figure 2. Secure with #8 thread forming screws (provided).

5- *Units Without CB10 or S48 Only* -
Replace the unit terminal block TB2 with the terminal block provided in kit.

6- Place appropriate electric heat wiring diagram (provided) on the inner side of compressor access panel.

TABLE 1

Packaged Units	Catalog No./ Part No.	Unit Voltage	Figure	Electric Heat	KW Output
156-300S (13-25 Ton)	53W84 / 604503-01	208/230	5	EHA240-7.5 and EHA240S-7.5	15
	53W86 / 604503-03	460	5		
	53W87 / 604503-04	600	5		
	67W96 / 604503-33	380	5	EHA240-5.7 and EHA240S-5.7	11.5
156 (13 Ton)	53W88 / 604503-05	208/230	6	EHA156-15 and EHA156S-15	30
	53W90 / 604503-07	460	5		
	53W91 / 604503-08	600	5		
	67W97 / 604503-34	380	5	EHA156-11.5 and EHA156S-11.5	23
180-360 (15-30 Ton)	53W92 / 604503-09	208/230	6	EHA360-15 and EHA360S-15	30
	53W94 / 604503-11	460	5		
	53W95 / 604503-12	600	5		
	67W98 / 604503-35	380	5	EHA360-11.5 and EHA360S-11.5	23
LCH156 (13 Ton)	53W96 / 604503-13	208/230	7	EHA156-22.5 (2)	45
	53W98 / 604503-15	460	7		
	53W99 / 604503-16	600	7		
	67W99 / 604503-36	380	7	EHA156-17.2 (2)	34.5
180-360 (15-30 Ton)	54W00 / 604503-17	208/230	7	EHA360-22.5 (2)	45
	54W02 / 604503-19	460	7		
	54W03 / 604503-20	600	7		
	68W00 / 604503-37	380	7	EHA360-17.2 (2)	34.5
LCH156 (13 Ton)	54W04 / 604503-21	208/230	7	EHA156-30 (2)	60
	54W06 / 604503-23	460	7		
	54W07 / 604503-24	600	7		
	68W01 / 604503-38	380	7	EHA156-23 (2)	45.9
180-360 (15-30 Ton)	54W08 / 604503-25	208/230	7	EHA150-30 (2)	60
	54W10 / 604503-27	460	7		
	54W11 / 604503-28	600	7		
	68W02 / 604503-39	380	7	EHA150-23 (2)	45.9
210-360 (15-30 Ton)	54W12 / 604503-29	208/230	7	EHA360-45 (2)	90
	54W14 / 604503-31	460	7		
	54W15 / 604503-32	600	7		
	68W03 / 604503-40	380	7	EHA360-34.5 (2)	68.9

300-360 (15-30 Ton)	73W98 / 604503-41	208/230	7	EHA150-60 (2)	120
	73W99 / 604503-42	460	7		
	74W00 / 604503-43	600	7		
	74W01 / 604503-44	380	7	EHA150-45.9 (2)	91.8

(2) Two electric heat assemblies.

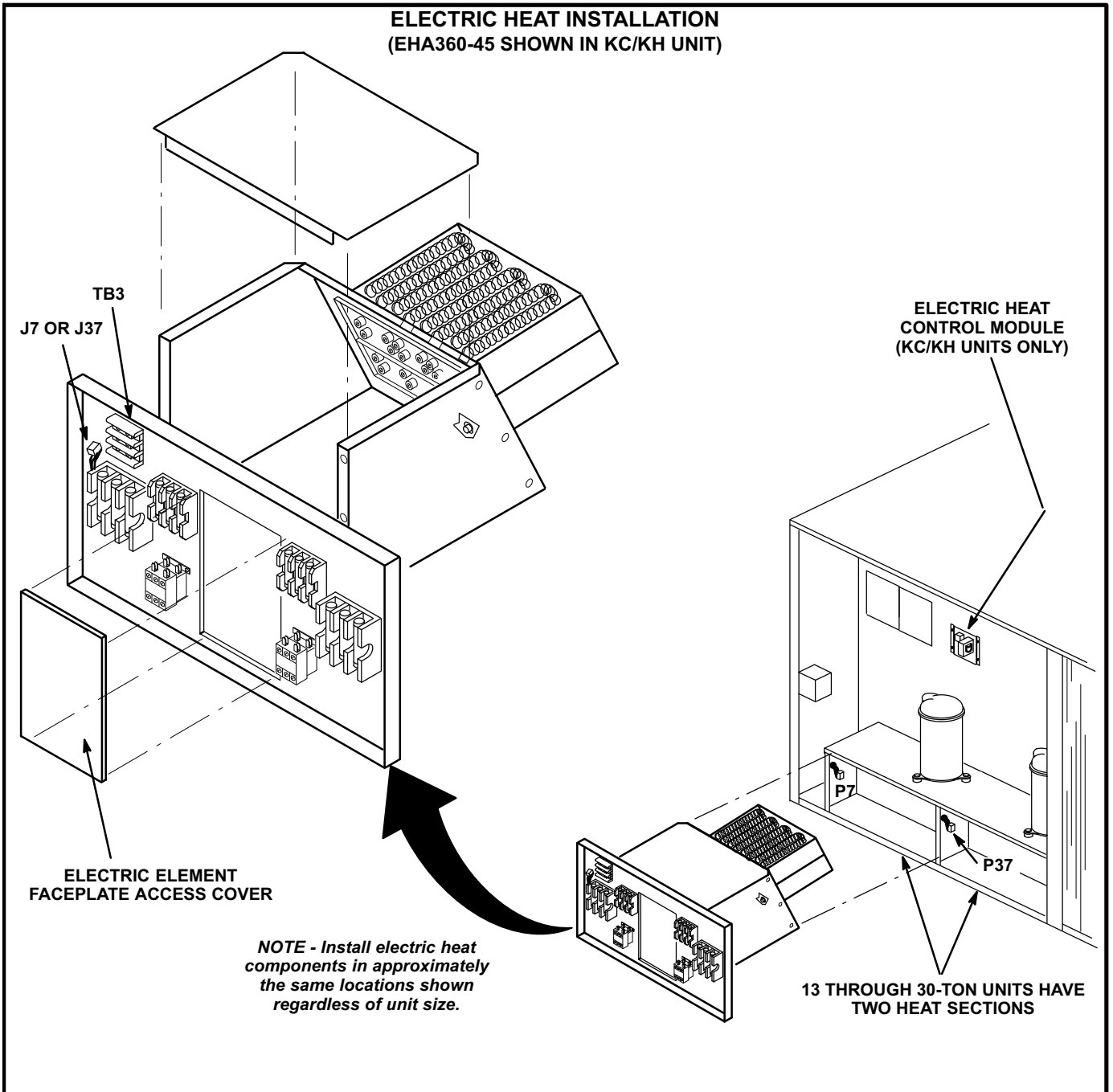


FIGURE 1

Electrical Connections

Wiring must conform to local codes and NEC/CEC. Refer closely to wiring diagram in this instruction and the following information: If electric heat assembly is being installed in an existing unit, a change in power supply wiring and disconnect switch or circuit breaker may be required. Remove the original supply wires or disconnect at power source. Refer to heater nameplate for minimum circuit ampacity and maximum fuse size.

⚠ WARNING



Electric shock hazard. Can cause injury or death. Before attempting to perform any service or maintenance, turn the electrical power to unit OFF at disconnect switch(es). Unit may have multiple power supplies.

KC/KH Units Control Wiring

Refer to figure 2.

Note - Install electric heat control module before making wire connections. See Installation section.

- 1- Connect wire from electric heat control assembly marked GND to grounding tab.
- 2- Connect wire marked "TB13-L2" to "L2" of TB13 terminal block.
- 3- Connect wire marked "TB13-L3" to "L3" of TB13 terminal block.
- 4- Remove the jumper plug from J2; connect J2 to P2 plug located near J2.
- 5- Route wires marked "P7" and "P37" to the location shown in figure 2 and secure harness with wire ties provided.
- 6- Connect wires marked "J7" and "J37" in electric heat assemblies to pigtail wires marked "P7" and "P37" from kt harness.

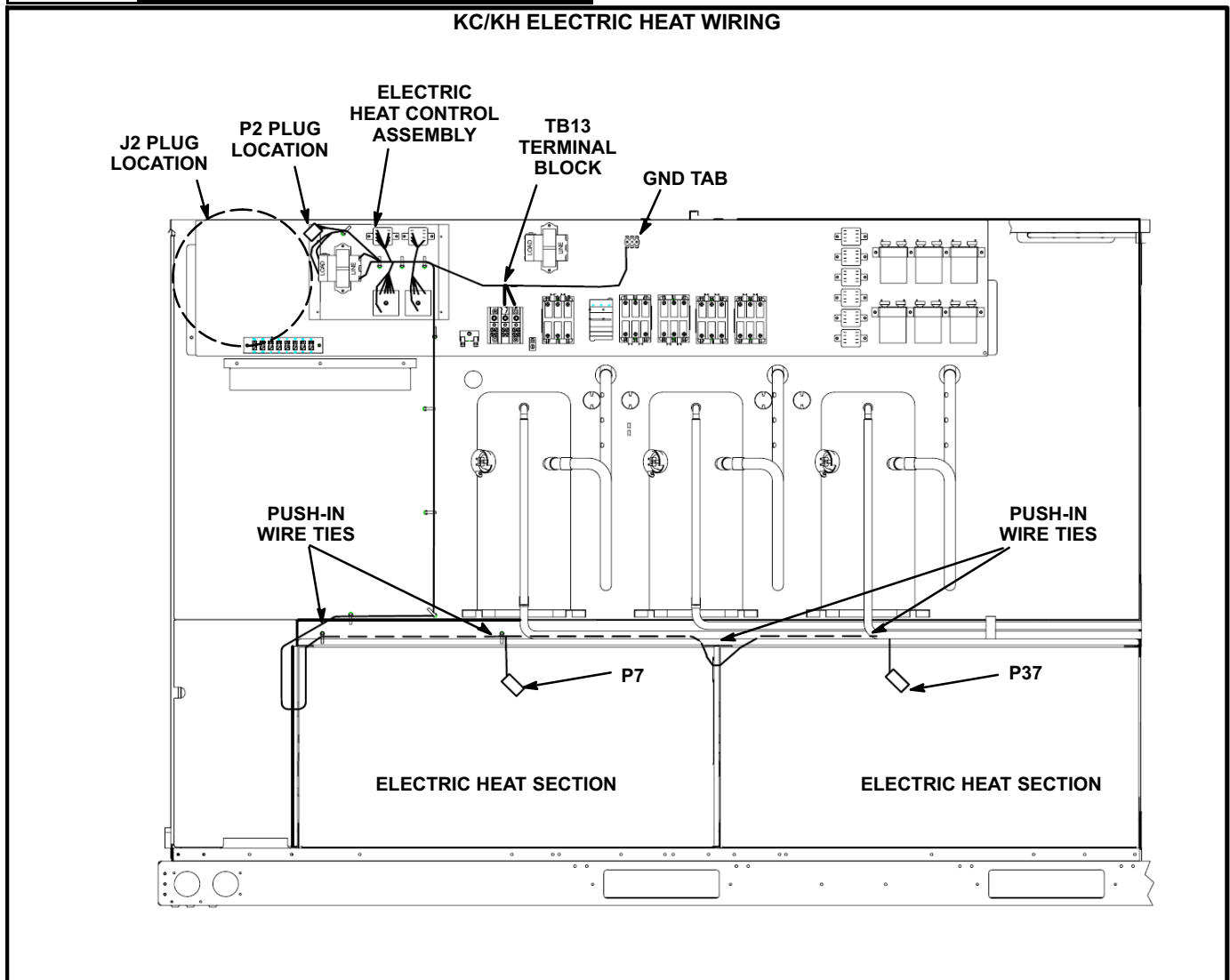


FIGURE 2

LCH Units Control Wiring

Refer to figure 3.

- 1- Locate and disconnect J7 and J37 jumper plug from harness. See figure 2.
- 2- Cut wire ties that bundle P7 and J37 harnesses; do

not damage wires.

- 3- Route P37 to the right heat section as shown in figure 2.
- 4- Connect electric heat assembly wires marked "J7" and "J37" to pigtail wires marked "P7" and "P37".

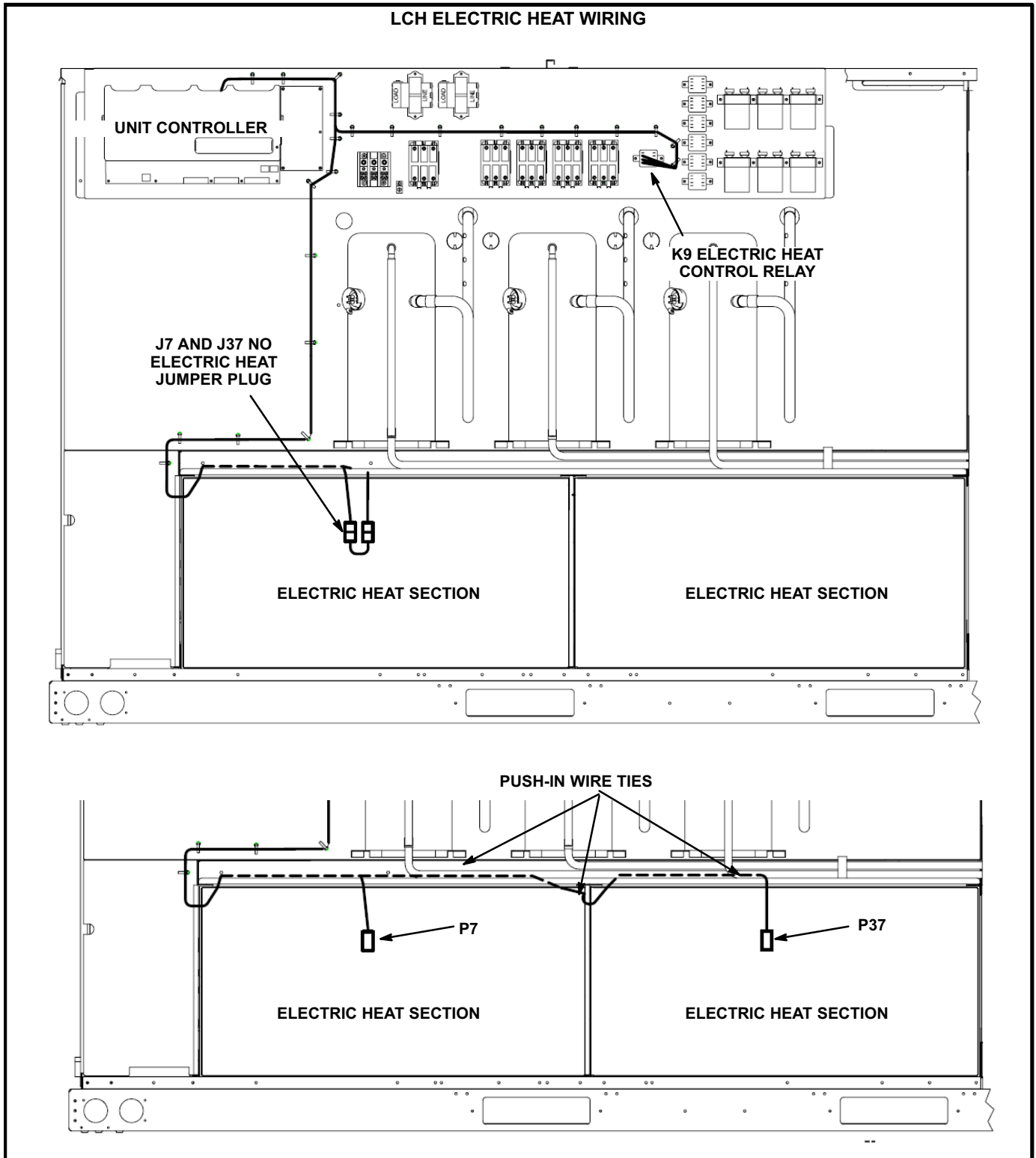


FIGURE 3

Power Wiring

- 1- Review heater installed nameplate for MCA values and enlarge power entry knockouts as needed.
- 2- Connect electric heat power wiring to unit terminal block TB2 or CB10/S48 as shown in figure 4. Also see figure 5, 6, or 7 depending on the options included on the electric heat assembly.
- 3- Route the other side of the electric heat power wiring through the bottom of the disconnect box and the side of the electric heat compartment. Connect power wiring to electric heat fuse block F3 or electric heat terminal block TB3. See figure 4.

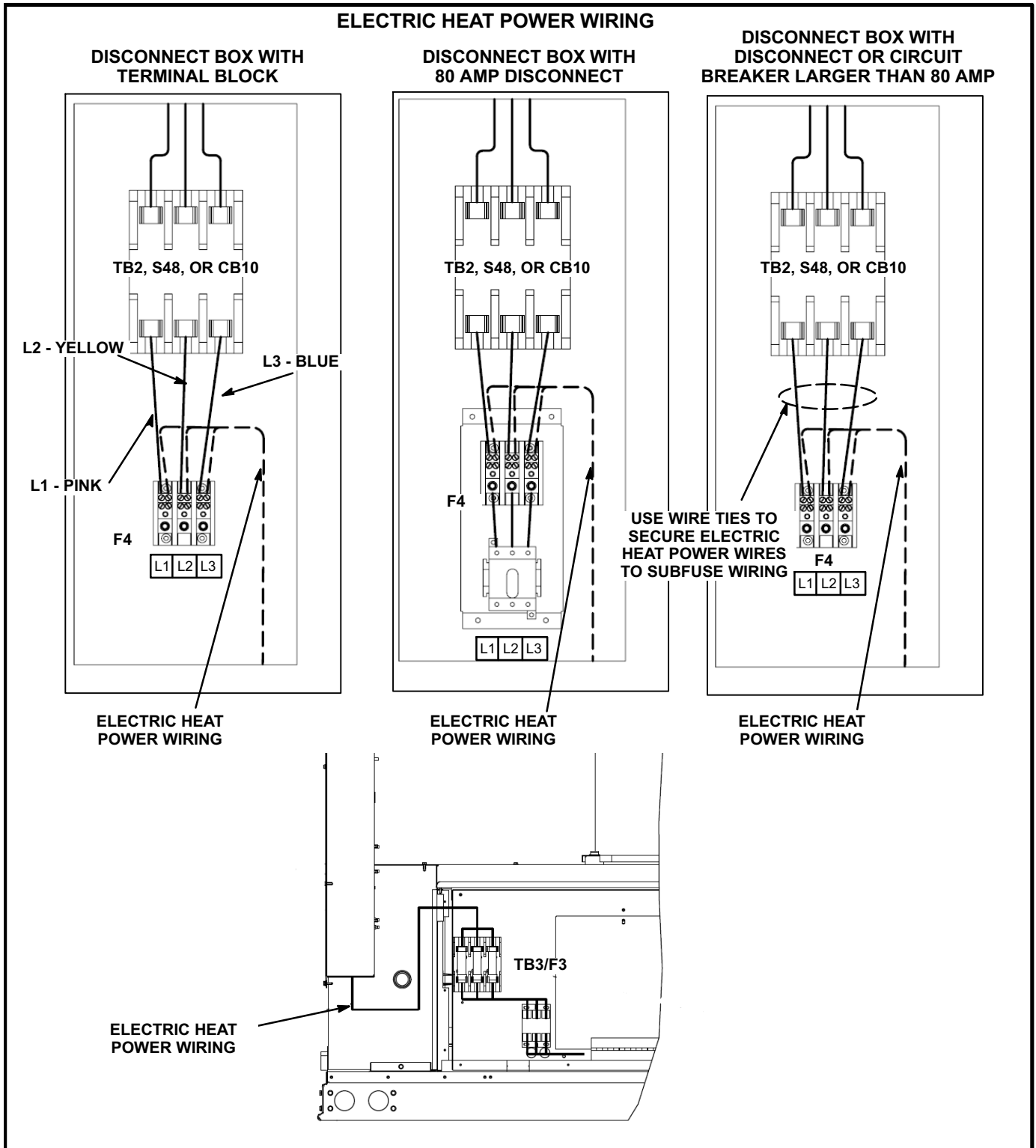


FIGURE 4

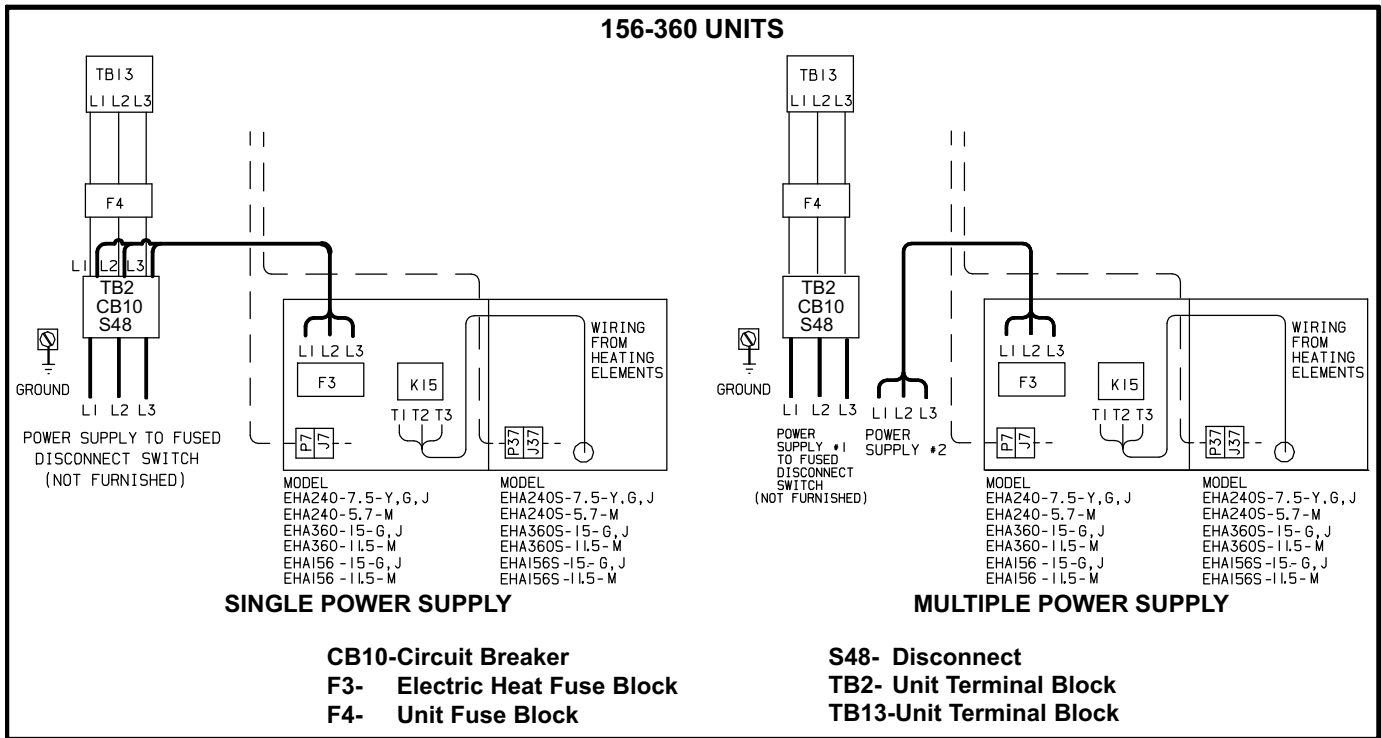


FIGURE 5

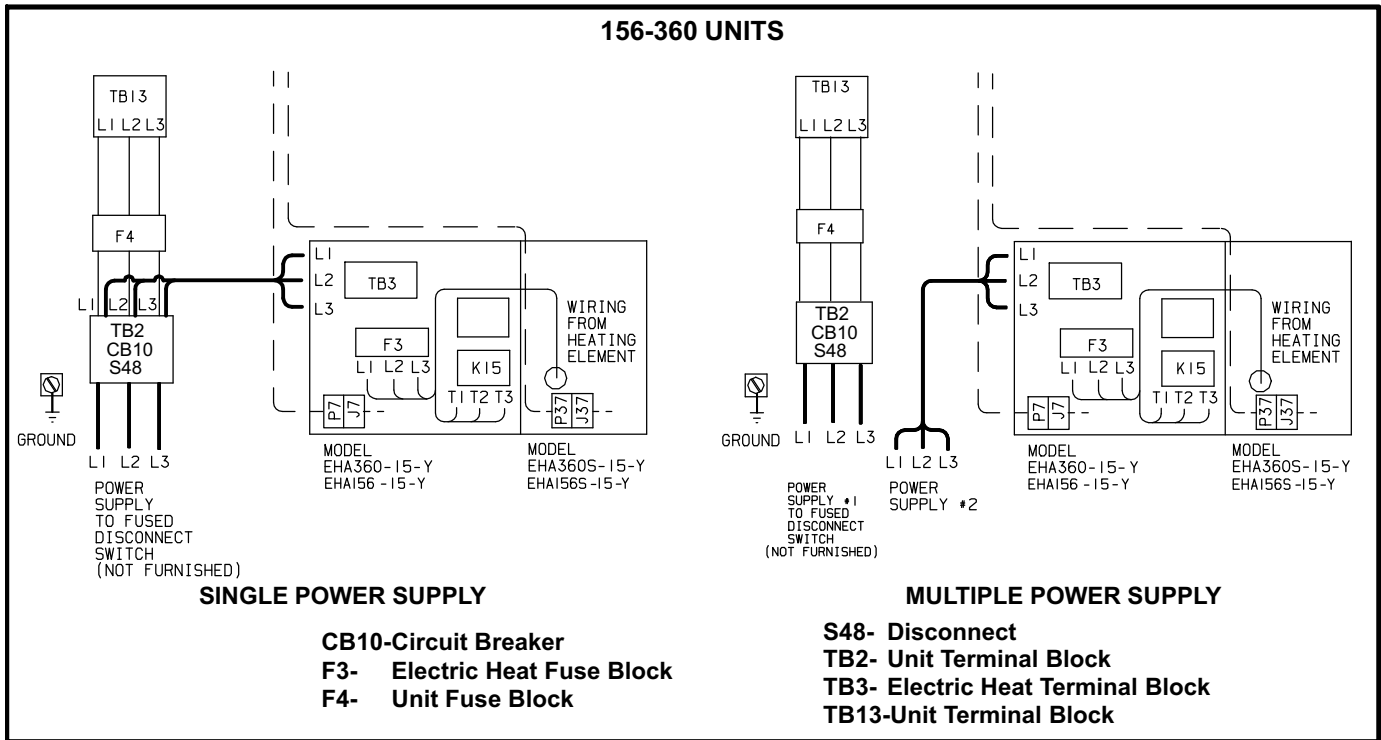


FIGURE 6

156-360 UNITS

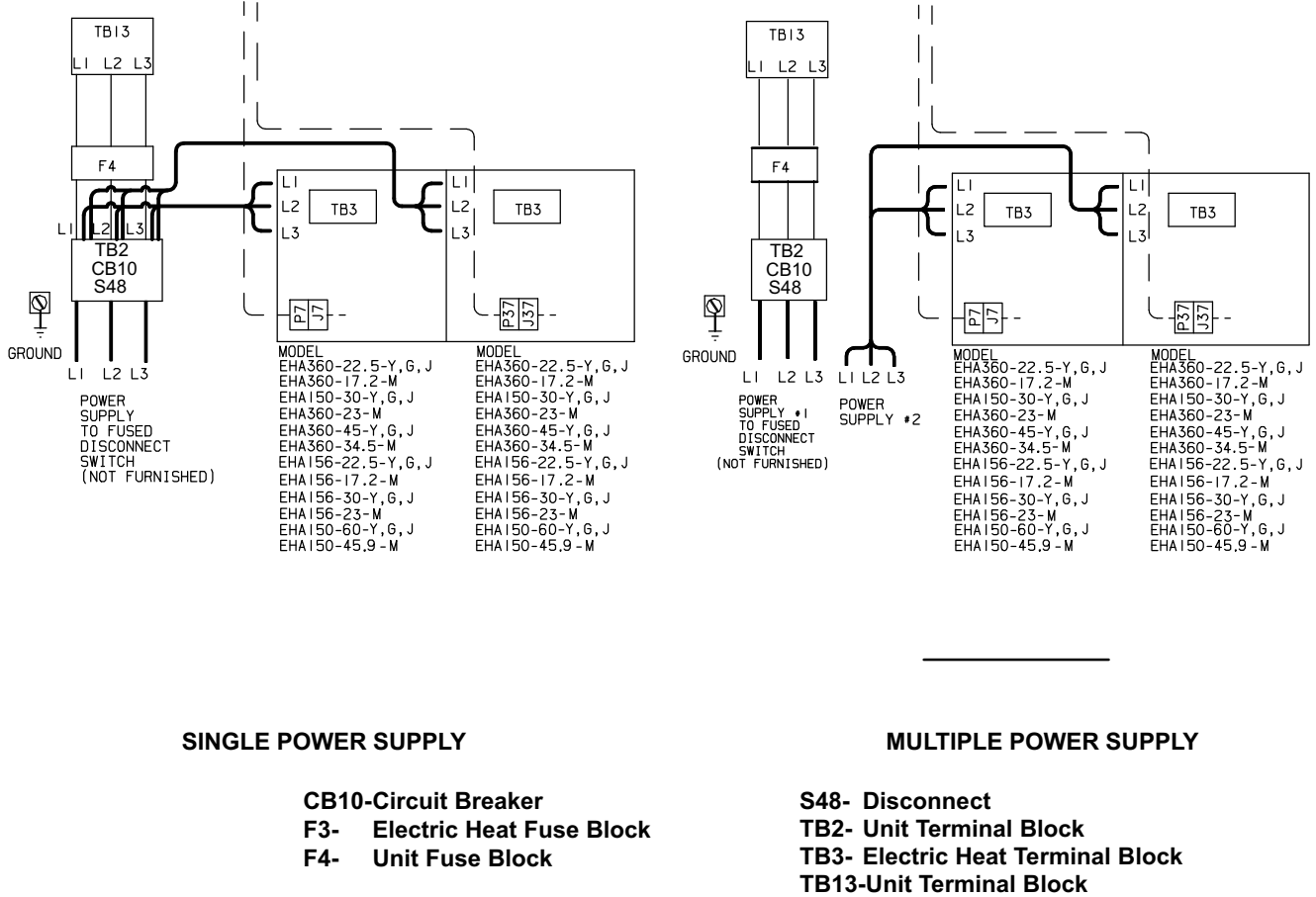


FIGURE 7

Electric Heat Door Assembly

KC/KH Units With Non-Hinged Access Doors Only

- 1- Install electric heat door assembly after electric heat assembly and wiring is completed.
- 2- Remove the front middle and right side mullions as shown in figure 8.

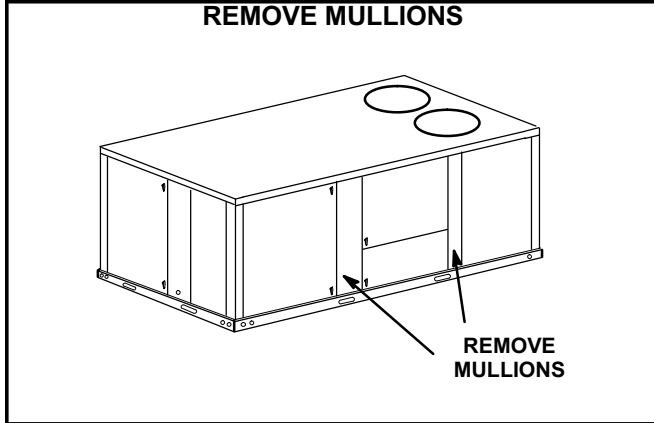


FIGURE 8

- 3- Remove the screw installed in the upper left corner of the left electric heat section. Position electric heat door assemblies in the electric heat openings as shown in figure 9. Make sure the doors open in the directions indicated.
- 4- Secure each door from the inside of the compartment as shown in figure 9. Secure with #10 sheet metal screws provided. Replace the screw which was removed in the previous step.
- 5- Make sure the hinged doors open and close properly. Adjust hinges if necessary.

Blower Speed Requirements

EHA electric heater applications require specific blower air volumes. Refer to page 10 for LCH/KC/KH156, 180, 210, 240, 300S proper blower speeds and page 11 for LCH242, 300H, 360 proper blower speeds.

Note - Minimum air requirements are shown in tables; do not set CFM lower than minimum CFM listed.

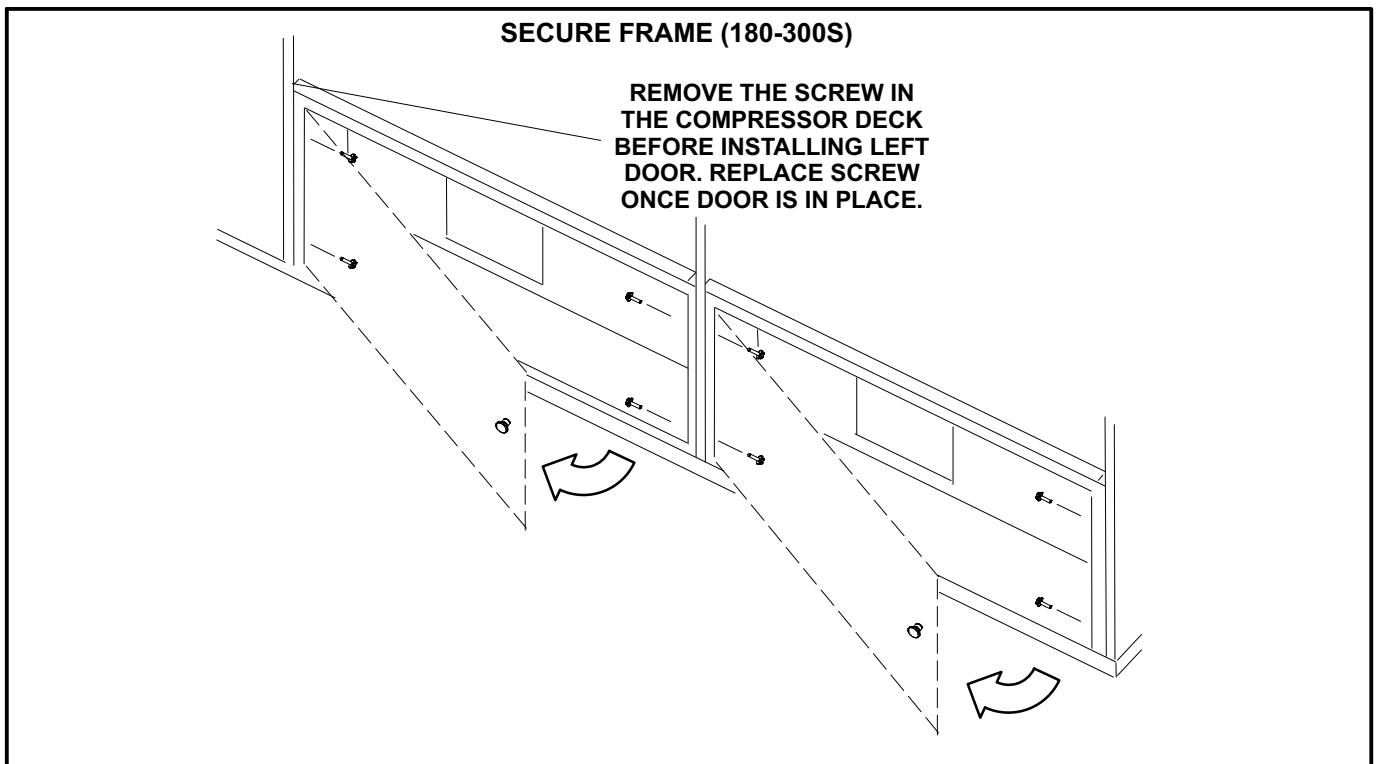


FIGURE 9

BLOWER DATA - 156, 180, 210, 240, 300S

BLOWER TABLE INCLUDES RESISTANCE FOR BASE UNIT ONLY WITH DRY INDOOR COIL & AIR FILTERS IN PLACE FOR ALL UNITS ADD:

- 1 - Wet indoor coil air resistance of selected unit.
- 2 - Any factory installed options air resistance (electric heat, economizer, etc.)
- 3 - Any field installed accessories air resistance (electric heat, duct resistance, diffuser, etc.)

2750 and 3000 CFM pertain to LCH units only.

MINIMUM AIR VOLUME REQUIRED FOR USE WITH OPTIONAL ELECTRIC HEAT

LCH156H units require 5200 cfm minimum air with electric heat.

All other units require 6000 cfm minimum air with electric heat.

Air Volume cfm	TOTAL STATIC PRESSURE - Inches Water Gauge (Pa)																									
	0.20		0.40		0.60		0.80		1.00		1.20		1.40		1.60		1.80		2.00		2.20		2.40		2.60	
	RPM	BHP	RPM	BHP	RPM	BHP	RPM	BHP	RPM	BHP	RPM	BHP	RPM	BHP	RPM	BHP	RPM	BHP	RPM	BHP	RPM	BHP	RPM	BHP	RPM	BHP
2750	385	0.30	505	0.50	600	0.70	680	0.90	755	1.10	820	1.30	880	1.50	950	1.70	1005	1060	1110	1160	1210	1260	1310	1360	1410	1460
3000	395	0.35	515	0.55	610	0.75	685	1.00	760	1.20	825	1.45	890	1.70	955	2.00	2.10	2.25	2.40	2.55	2.70	2.85	3.00	3.15	3.30	3.45
3250	405	0.40	520	0.60	615	0.85	695	1.10	765	1.30	830	1.60	900	1.85	970	2.10	2.25	2.40	2.55	2.70	2.85	3.00	3.15	3.30	3.45	3.60
3500	415	0.45	530	0.70	620	0.95	700	1.20	775	1.45	840	1.70	910	1.95	980	2.20	2.35	2.50	2.65	2.80	2.95	3.10	3.25	3.40	3.55	3.70
3750	425	0.50	540	0.75	630	1.05	710	1.30	780	1.60	845	1.85	915	2.10	985	2.35	2.50	2.65	2.80	2.95	3.10	3.25	3.40	3.55	3.70	3.85
4000	435	0.55	545	0.85	635	1.10	715	1.40	785	1.70	850	2.00	920	2.25	990	2.50	2.65	2.80	2.95	3.10	3.25	3.40	3.55	3.70	3.85	4.00
4250	445	0.60	555	0.90	645	1.25	725	1.55	795	1.85	855	2.15	925	2.40	995	2.65	2.80	2.95	3.10	3.25	3.40	3.55	3.70	3.85	4.00	4.15
4500	455	0.70	565	1.00	655	1.35	730	1.65	800	2.00	865	2.35	935	2.60	1005	2.85	3.00	3.15	3.30	3.45	3.60	3.75	3.90	4.05	4.20	4.35
4750	470	0.75	575	1.10	660	1.45	740	1.80	810	2.15	870	2.50	940	2.75	1010	3.00	3.15	3.30	3.45	3.60	3.75	3.90	4.05	4.20	4.35	4.50
5000	480	0.85	585	1.25	670	1.60	750	1.95	815	2.30	880	2.70	945	3.00	1015	3.25	3.40	3.55	3.70	3.85	4.00	4.15	4.30	4.45	4.60	4.75
5250	495	0.95	595	1.35	680	1.70	755	2.10	825	2.50	890	2.90	955	3.25	1020	3.50	3.65	3.80	3.95	4.10	4.25	4.40	4.55	4.70	4.85	5.00
5500	505	1.05	605	1.45	690	1.85	765	2.25	835	2.65	895	3.05	960	3.40	1015	3.65	3.80	3.95	4.10	4.25	4.40	4.55	4.70	4.85	5.00	5.15
5750	520	1.15	615	1.60	700	2.00	775	2.45	840	2.85	905	3.25	970	3.60	1020	3.85	4.00	4.15	4.30	4.45	4.60	4.75	4.90	5.05	5.20	5.35
6000	530	1.30	630	1.75	710	2.15	785	2.60	850	3.05	910	3.45	975	3.80	1030	4.05	4.20	4.35	4.50	4.65	4.80	4.95	5.10	5.25	5.40	5.55
6250	545	1.40	640	1.90	720	2.35	795	2.80	860	3.25	920	3.70	985	4.05	1030	4.25	4.40	4.55	4.70	4.85	5.00	5.15	5.30	5.45	5.60	5.75
6500	560	1.55	650	2.05	730	2.50	805	3.00	870	3.45	930	3.95	995	4.25	1040	4.45	4.60	4.75	4.90	5.05	5.20	5.35	5.50	5.65	5.80	5.95
6750	570	1.70	665	2.20	745	2.70	815	3.20	880	3.70	940	4.20	1000	4.45	1045	4.65	4.80	4.95	5.10	5.25	5.40	5.55	5.70	5.85	6.00	6.15
7000	585	1.85	675	2.35	755	2.90	825	3.40	890	3.95	950	4.45	1005	4.65	1050	4.85	5.00	5.15	5.30	5.45	5.60	5.75	5.90	6.05	6.20	6.35
7250	600	2.00	690	2.60	765	3.10	835	3.65	900	4.15	955	4.65	1015	4.85	1060	5.05	5.20	5.35	5.50	5.65	5.80	5.95	6.10	6.25	6.40	6.55
7500	615	2.20	700	2.75	775	3.30	845	3.85	910	4.45	965	4.95	1020	5.05	1065	5.25	5.40	5.55	5.70	5.85	6.00	6.15	6.30	6.45	6.60	6.75
7750	630	2.40	715	3.00	790	3.55	855	4.10	920	4.70	975	5.25	1030	5.45	1075	5.65	5.80	5.95	6.10	6.25	6.40	6.55	6.70	6.85	7.00	7.15
8000	640	2.55	725	3.20	800	3.80	865	4.35	930	4.95	985	5.50	1040	5.65	1085	5.85	6.00	6.15	6.30	6.45	6.60	6.75	6.90	7.05	7.20	7.35
8250	655	2.80	740	3.40	810	4.00	880	4.65	940	5.25	995	5.85	1050	6.05	1095	6.25	6.40	6.55	6.70	6.85	7.00	7.15	7.30	7.45	7.60	7.75
8500	670	3.00	750	3.65	825	4.30	890	4.90	950	5.55	1005	6.15	1060	6.35	1105	6.55	6.70	6.85	7.00	7.15	7.30	7.45	7.60	7.75	7.90	8.05
8750	685	3.25	765	3.90	835	4.55	900	5.20	960	5.85	1015	6.45	1070	6.65	1115	6.85	7.00	7.15	7.30	7.45	7.60	7.75	7.90	8.05	8.20	8.35
9000	700	3.50	780	4.20	850	4.85	910	5.50	970	6.15	1025	6.80	1080	7.05	1125	7.25	7.40	7.55	7.70	7.85	8.00	8.15	8.30	8.45	8.60	8.75
9250	715	3.75	790	4.45	860	5.15	925	5.85	985	6.55	1040	7.20	1090	7.45	1135	7.65	7.80	7.95	8.10	8.25	8.40	8.55	8.70	8.85	9.00	9.15
9500	730	4.00	805	4.75	875	5.45	935	6.15	995	6.90	1050	7.60	1100	7.85	1145	8.05	8.20	8.35	8.50	8.65	8.80	8.95	9.10	9.25	9.40	9.55
9750	745	4.30	820	5.05	885	5.75	950	6.55	1005	7.20	1060	7.95	1110	8.15	1155	8.35	8.50	8.65	8.80	8.95	9.10	9.25	9.40	9.55	9.70	9.85
10,000	760	4.60	835	5.40	900	6.15	960	6.85	1015	7.60	1070	8.35	1120	8.55	1165	8.75	8.90	9.05	9.20	9.35	9.50	9.65	9.80	9.95	10.10	10.25
10,250	775	4.90	845	5.65	910	6.45	970	7.20	1030	8.00	1080	8.75	1135	8.95	1175	9.15	9.30	9.45	9.60	9.75	9.90	10.05	10.20	10.35	10.50	10.65
10,500	790	5.20	860	6.00	925	6.85	985	7.65	1040	8.40	1095	9.20	1145	9.45	1185	9.65	9.80	9.95	10.10	10.25	10.40	10.55	10.70	10.85	11.00	11.15
10,750	805	5.55	875	6.40	940	7.25	1000	8.05	1055	8.85	1105	9.65	1155	10.05	1195	10.25	10.40	10.55	10.70	10.85	11.00	11.15	11.30	11.45	11.60	11.75
11,000	820	5.90	890	6.80	950	7.60	1010	8.45	1065	9.30	1115	10.05	1165	10.45	1205	10.65	10.80	10.95	11.10	11.25	11.40	11.55	11.70	11.85	12.00	12.15

BLOWER DATA - 242, 300H, 360

BLOWER TABLE INCLUDES RESISTANCE FOR BASE UNIT ONLY WITH DRY INDOOR COIL & AIR FILTERS IN PLACE FOR ALL UNITS ADD:

- 1 - Wet indoor coil air resistance of selected unit.
- 2 - Any factory installed options air resistance (electric heat, economizer, etc.)
- 3 - Any field installed accessories air resistance (electric heat, duct resistance, diffuser, etc.)

MINIMUM AIR VOLUME REQUIRED FOR USE WITH OPTIONAL ELECTRIC HEAT

All units require 10,500 cfm minimum air with electric heat.

Air Volume cfm	TOTAL STATIC PRESSURE - In. w.g.																											
	0.20		0.40		0.60		0.80		1.00		1.20		1.40		1.60		1.80		2.00		2.20		2.40		2.60			
	RPM	BHP	RPM	BHP	RPM	BHP	RPM	BHP	RPM	BHP	RPM	BHP	RPM	BHP	RPM	BHP	RPM	BHP	RPM	BHP	RPM	BHP	RPM	BHP	RPM	BHP		
4000	372	0.26	433	0.65	497	0.99	565	1.27	630	1.54	687	1.79	738	2.04	784	2.30	824	2.56	861	2.82	897	3.10	932	3.40	968	3.68	1004	3.96
4500	382	0.41	441	0.79	506	1.12	574	1.41	638	1.69	694	1.95	744	2.22	790	2.50	831	2.77	868	3.05	903	3.35	938	3.66	974	3.94	1010	4.22
5000	392	0.56	451	0.93	516	1.25	584	1.55	646	1.85	702	2.12	751	2.41	796	2.70	837	3.00	874	3.30	909	3.61	944	3.93	980	4.20	1016	4.48
5500	402	0.73	462	1.08	527	1.40	594	1.72	655	2.02	710	2.31	758	2.61	802	2.92	843	3.24	880	3.56	916	3.88	951	4.22	987	4.50	1023	4.78
6000	414	0.89	473	1.24	539	1.56	605	1.90	665	2.21	718	2.51	766	2.83	809	3.16	850	3.51	887	3.84	922	4.18	957	4.52	994	4.80	1030	5.06
6500	426	1.07	486	1.41	551	1.74	616	2.10	675	2.42	727	2.73	774	3.07	817	3.43	857	3.80	894	4.15	929	4.49	964	4.85	1001	5.10	1037	5.38
7000	439	1.26	499	1.60	565	1.93	628	2.31	685	2.64	737	2.97	782	3.34	825	3.72	864	4.11	901	4.48	937	4.83	971	5.19	1008	5.40	1044	5.60
7500	453	1.46	513	1.79	579	2.14	641	2.55	696	2.88	747	3.24	792	3.63	833	4.04	872	4.45	909	4.83	945	5.20	979	5.56	1016	5.90	1052	6.10
8000	467	1.66	528	2.00	593	2.38	653	2.81	708	3.15	757	3.53	801	3.95	843	4.39	881	4.82	918	5.22	953	5.59	988	5.96	1025	6.20	1061	6.40
8500	483	1.88	544	2.22	608	2.65	667	3.10	720	3.44	768	3.85	812	4.30	852	4.78	890	5.22	927	5.63	962	6.01	997	6.39	1034	6.60	1070	6.80
9000	499	2.11	561	2.47	624	2.95	681	3.41	733	3.76	780	4.20	823	4.69	862	5.19	900	5.65	936	6.07	972	6.46	1007	6.85	1044	7.10	1080	7.30
9500	516	2.36	578	2.75	640	3.26	696	3.73	746	4.10	792	4.58	834	5.11	873	5.64	910	6.12	946	6.54	982	6.93	1018	7.34	1055	7.60	1091	7.80
10,000	534	2.64	596	3.06	657	3.60	711	4.07	760	4.48	805	5.00	845	5.57	884	6.12	921	6.61	957	7.03	992	7.43	1028	7.86	1066	8.10	1102	8.30
10,500	553	2.93	615	3.39	674	3.95	727	4.44	775	4.90	817	5.46	857	6.06	895	6.62	932	7.12	967	7.55	1003	7.96	1039	8.40	1077	8.60	1113	8.80
11,000	572	3.24	634	3.74	692	4.31	744	4.83	789	5.35	830	5.95	869	6.58	907	7.16	943	7.65	978	8.09	1013	8.51	1050	8.98	1089	9.20	1125	9.40
11,500	592	3.58	653	4.12	711	4.70	760	5.27	803	5.85	843	6.49	881	7.13	918	7.71	954	8.21	989	8.65	1025	9.10	1062	9.59	1101	9.80	1137	10.00
12,000	613	3.95	674	4.53	729	5.14	776	5.75	818	6.39	857	7.06	894	7.71	930	8.30	965	8.80	1000	9.25	1036	9.71	1073	10.22	1112	10.40	1148	10.60
12,500	635	4.37	695	4.98	748	5.62	792	6.29	832	6.98	870	7.67	906	8.33	941	8.91	976	9.42	1011	9.87	1048	10.35	1085	10.86	1124	11.00	1160	11.20
13,000	657	4.83	715	5.50	766	6.18	808	6.89	847	7.61	883	8.32	918	8.98	953	9.56	988	10.06	1023	10.52	1059	11.00	1096	11.53	1135	11.70	1171	11.90
13,500	680	5.35	736	6.06	784	6.78	824	7.53	861	8.29	896	9.00	930	9.66	965	10.24	1000	10.74	1035	11.20	1071	11.70	1108	12.17	1148	12.30	1184	12.50
14,000	704	5.92	757	6.67	801	7.44	839	8.23	875	9.00	909	9.72	943	10.38	977	10.94	1012	11.43	1047	11.70	1083	12.20	1120	12.67	1157	12.80	1193	13.00
14,500	727	6.55	777	7.34	818	8.16	854	8.97	889	9.75	922	10.48	955	11.12	989	11.59	1024	12.08	1059	12.50	1095	12.70	1132	13.07	1170	13.20	1206	13.40
15,000	750	7.23	797	8.07	834	8.92	868	9.75	902	10.54	935	11.26	969	11.94	1003	12.59	1038	13.08	1073	13.50	1109	14.00	1146	14.47	1184	14.60	1220	14.80

Heating Operation

Cooling Units:

Single Stage (15 & 30 KW)

A W1 thermostat demand will energize the first stage of electric heat.

Two Stage (22.5, 30, 45 & 60 KW)

A W1 thermostat demand will energize the first stage of electric heat. A W2 thermostat demand will energize the second stage of electric heat after a 30 second delay.

Heat Pump Units:

A W1 thermostat demand will energize both compressors in heating mode (reversing valves are not energized). A W2 thermostat demand will energize the first stage of electric heat in addition to compressors operating in heat pump mode. For 45 through 90KW electric heat, the second stage of electric heat will be energized after a 30-second delay.

Unit Start-Up (Heating Cycle)

Set room thermostat for proper heat or auto operation if switching subbase is used. Apply power to unit and position heat setpoint lever above room temperature. Refer to unit installation instructions for additional information on start-up operations and adjustments.