



INSTALLATION INSTRUCTIONS

LXICG12
FEBRUARY 6, 2009

**KITS COMMON TO COOLING
AND HEAT PUMP EQUIPMENT**

**COIL GUARDS FOR
TSA 072-240 / TPA 090-120**

I - APPLICATION

The coil guard is designed to prevent damage to the condenser coil of the unit. The following parts are required:

II - SHIPPING AND PACKING LIST

Catalog Number	47W12	47W13	47W14	47W15
Unit Designation	TSA 072-090	TPA090; TSA120	TPA120;TSA150	TSA180-240
Guard Assembly Qty.	3 ea.	3 ea.	4 ea.	3 ea.
#10-16 x 1/2 Hextek Screws	18 ea.	18 ea.	24 ea.	18 ea.
Installation Instructions	1 ea.	1 ea.	1 ea.	1 ea.

CAUTION

**WHEN INSTALLING BE SURE NOT TO
PUNCTURE CONDENSER COIL.**

III - INSTALLATION

Step 1:

Center each coil guard over each condenser coil. Secure each coil guard to the rooftop unit using the supplied #10 -16 x 1/2 screws.

Step 2:

Repeat steps for remaining Guard Assemblies.

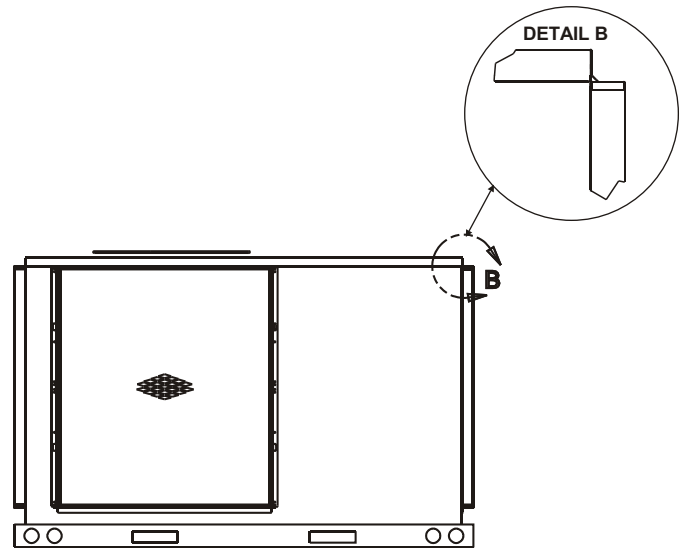


Figure 2

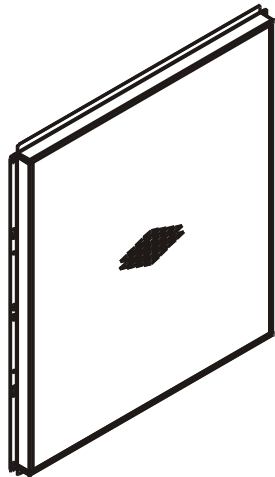


Figure 1

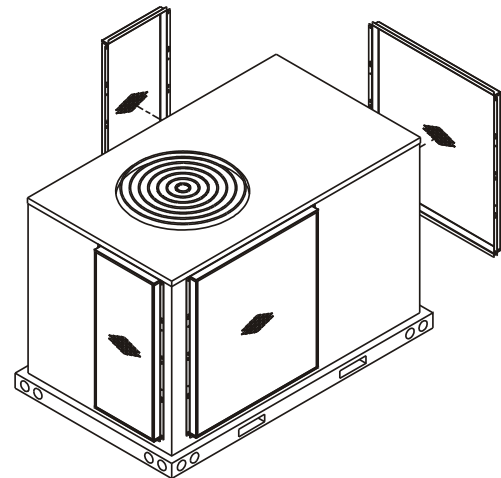


Figure 3